

# GENUINE SPARE PARTS

## C 98 B Model Year 2011

- Use GLOBAL GARDEN PRODUCT Genuine Spare Parts specified in the parts list for repair and/or replacement.
- The contents described in the parts list may change due to improvement.
- The drawings of the spare parts are only indicative and might not represent the part in question exactly.
- The indications "right" - "left" - "front" - "rear" refer to the position of the operator when using the machine.
- When placing orders of parts for repair and/or replacement, make sure that the illustrated parts list is the one applying to the machine's year of manufacture, as shown on the identification plate attached to the machine.

COPYRIGHT by GLOBAL GARDEN PRODUCTS

All rights reserved. No part of this material may be reproduced or transmitted, in any form or by any means, electronic or mechanical, including photocopying, recording or by any information storage and retrieval system, without permission in writing from GLOBAL GARDEN PRODUCTS.

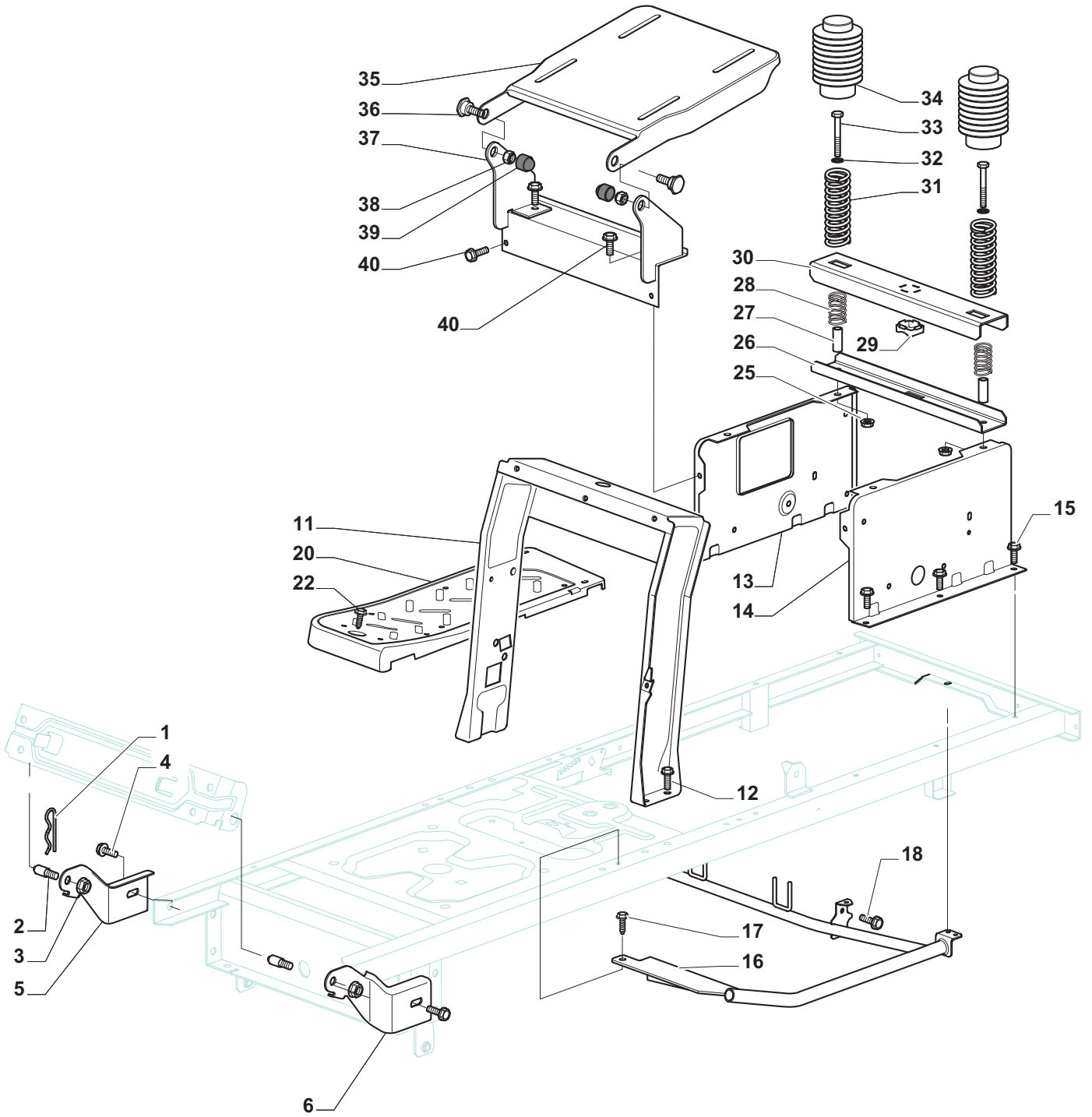
...THINKING GREEN





C 98 B

# Chassis





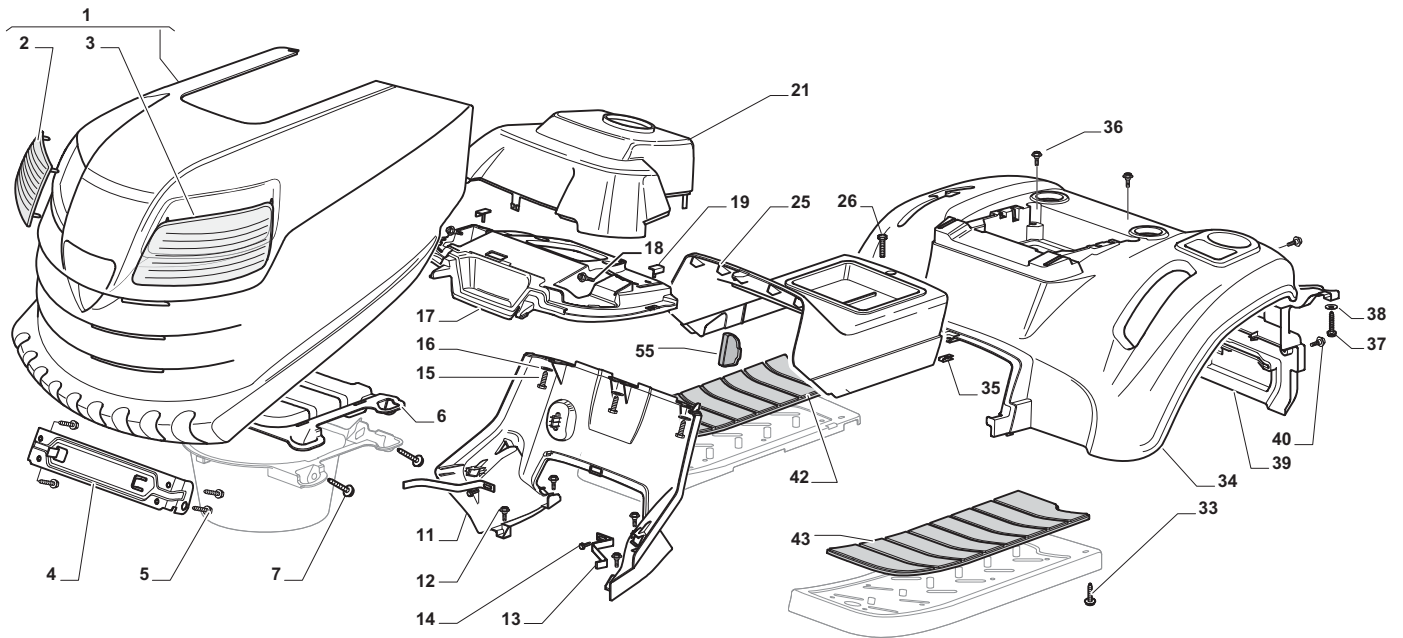
C 98 B

**Chassis**

Pos.	Part no.	Q.ty	Description	Remarks
1	24487998/0	1	Cotter Pin	
2	25510079/0	2	Pin	
3	12154210/0	2	Nut	
4	12735599/0	2	Screw	
5	325547225/0	1	Right Plate	
6	325547227/0	1	Left Plate	
11	382785169/1	1	Steering Column Support	
12	125943009/0	4	Screw	
13	325785331/0	1	Right Seat Support	
14	325785333/0	1	Left Seat Support	
15	125943009/0	6	Screw	
16	382785179/0	1	Footboard Support	
17	125943009/0	2	Screw	
18	125943009/0	2	Screw	
20	325500041/1	1	Right Footboard	
21	325500043/1	1	Left Footboard	
22	12735599/0	2	Screw	
25	12293201/0	2	Nut	
26	325820109/0	1	Seat Support	
27	125160048/0	2	Spacer	
28	125430263/0	2	Spring	
29	325060038/0	1	Cam	
30	325820105/0	1	Support	
31	125430264/0	2	Spring	
32	12521350/0	2	Washer	
33	12691400/0	2	Right Screw	
34	325122002/0	2	Hood	
35	382547061/0	1	Plate	
36	22524970/2	2	Pin	
37	382820151/0	1	Seat Support	
38	12155010/0	2	Nut	
39	118203854/0	2	Protection	
40	125943009/0	4	Screw	



C 98 B  
Body





C 98 B

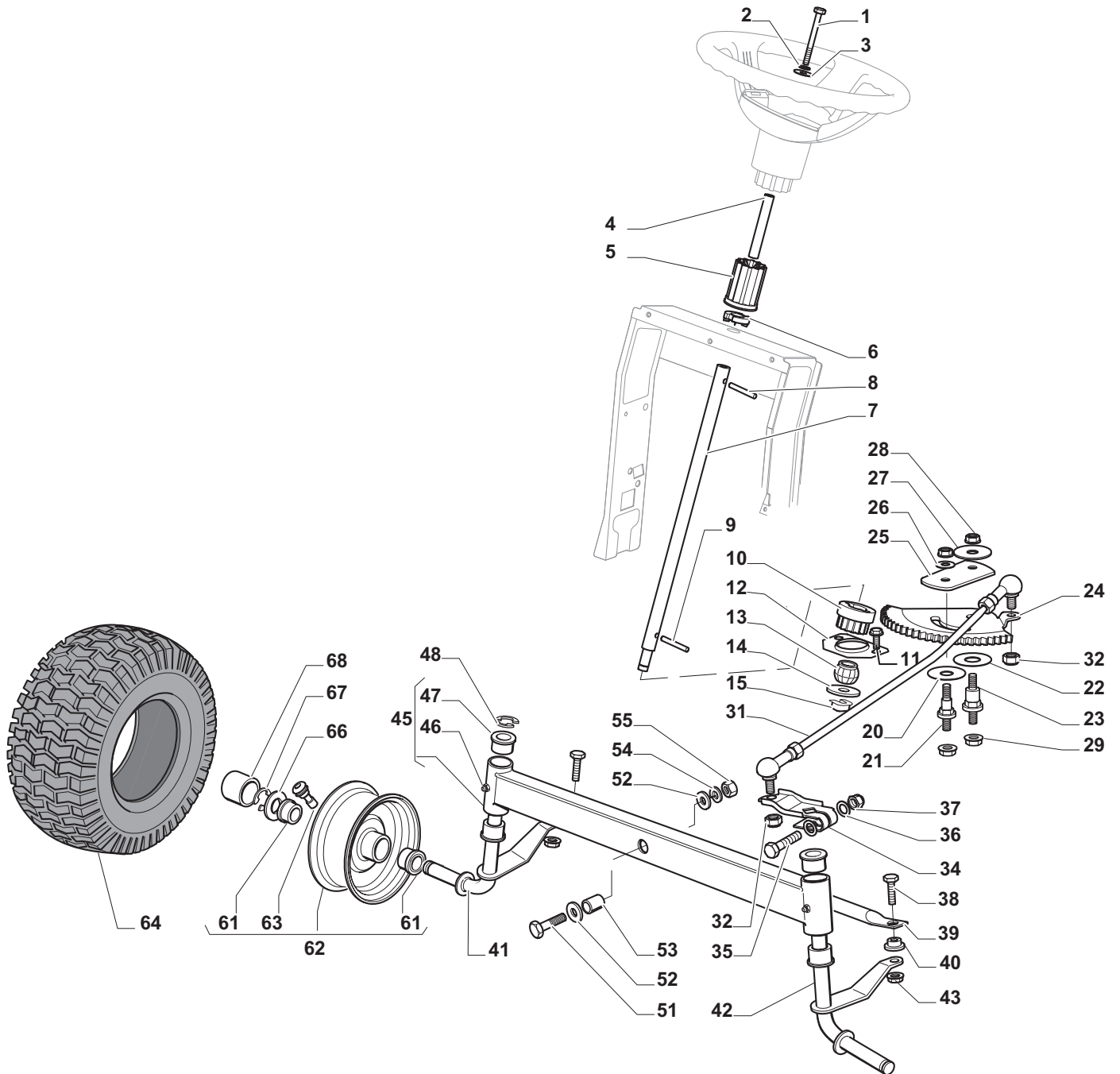
**Body**

Pos.	Part no.	Q.ty	Description	Remarks
1	325076899/0	1	Engine Hood Black	
2	325410887/0	1	Right Grill	
3	325410888/0	1	Left Grill	
4	325785317/0	1	Engine Hood Support	
5	12735403/0	4	Screw	
6	325263302/1	1	Air Intake Grill	
7	112728692/0	4	Screw	
11	325785298/0	1	Dashboard Support	
12	125943010/0	4	Screw	
13	325270325/0	2	Guide	
14	12735599/0	2	Screw	
15	112735406/0	3	Screw	
16	12523040/0	3	Washer	
17	325120202/1	1	Dashboard	
18	125943010/0	2	Screw	
19	325260003/0	2	Grommet	
21	325120203/0	1	Cover	
25	325110397/1	1	Cover, Black	
26	125943010/0	1	Screw	
33	112735406/0	4	Screw	
34	325110400/0	1	Wheels Cover Black	
35	112437506/0	1	Plate	
36	125943010/0	2	Screw	
37	112735406/0	2	Screw	
38	12523040/0	2	Washer	
39	325547208/1	1	Plate	
40	125943010/0	2	Screw	
42	325110384/0	1	Right Footboardcover	
43	325110385/0	1	Left Footboard Cover	
47	12523060/0	4	Washer	
55	325207191/0	1	Plate	



C 98 B

# Steering





C 98 B

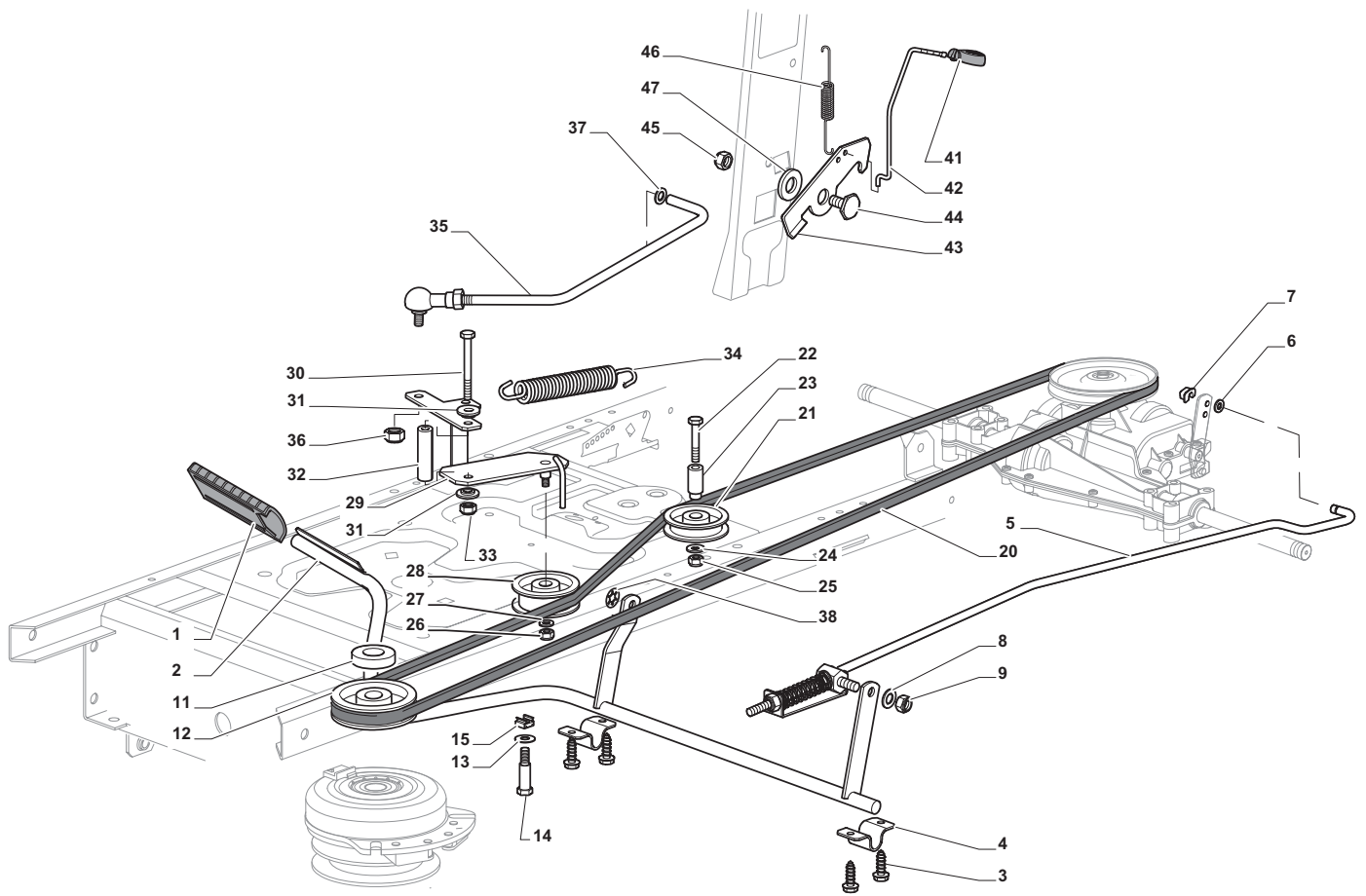
**Steering**

Pos.	Part no.	Q.ty	Description	Remarks
1	12692050/0	1	Screw	
2	12540260/0	1	Washer	
3	12523070/0	1	Washer	
4	125160047/0	1	Spacer	
5	325785318/0	1	Support	
6	325038008/0	1	Bush	
7	125520007/0	1	Steering Column	
8	112620300/0	1	Pin	
9	12622650/0	1	Pin	
10	125570003/0	1	Pinion	
11	27943051/0	2	Screw	
12	325785213/1	1	Support	
13	25743000/0	1	Joint	
14	12521370/0	1	Washer	
15	12436030/0	1	Plate	
20	22672151/0	1	Washer	
21	125510104/0	1	Pin	
22	125670023/0	1	Washer	
23	125510109/0	1	Pin	
24	325735519/0	1	Steering Shaft	
25	325547233/0	1	Plate	
26	12369500/0	1	Washer	
27	22160400/0	1	Dust Cover	
28	12155010/0	2	Nut	
29	12154210/0	2	Nut	
31	382000566/0	1	Steering Rod	
32	12156602/0	2	Nut	
34	325318243/0	1	Lever	
35	12692390/0	1	Screw	
36	12521360/0	2	Washer	
37	12156602/0	1	Nut	
38	125510103/0	2	Pin	
39	325840029/0	1	Tie Rod	
40	325038007/0	2	Bush	
41	382230373/0	1	Right Stub Axle	
42	382230375/0	1	Left Stub Axle	
43	12155000/0	2	Nut	
45	382034030/0	1	Equalizer With Bush And Lubricator	
46	12379511/0	2	Grease Dispenser	
47	25034002/1	4	Brass	
48	12001010/0	1	Benzing	
51	12692695/0	1	Screw	
52	12523100/0	2	Washer	
53	25160016/0	1	Spacer	
54	12587100/0	1	Washer	
55	12295300/0	1	Nut	
61	25122200/2	4	Bearing	
62	182000598/0	2	Rimm	
63	25950000/0	2	Valve	
64	127590066/0	2	Tire	
66	25670005/1	2	Washer	
67	12001010/0	2	Benzing	
68	322110233/0	2	Hub Cover	



C 98 B

# Brake And Gearbox Controls







C 98 B

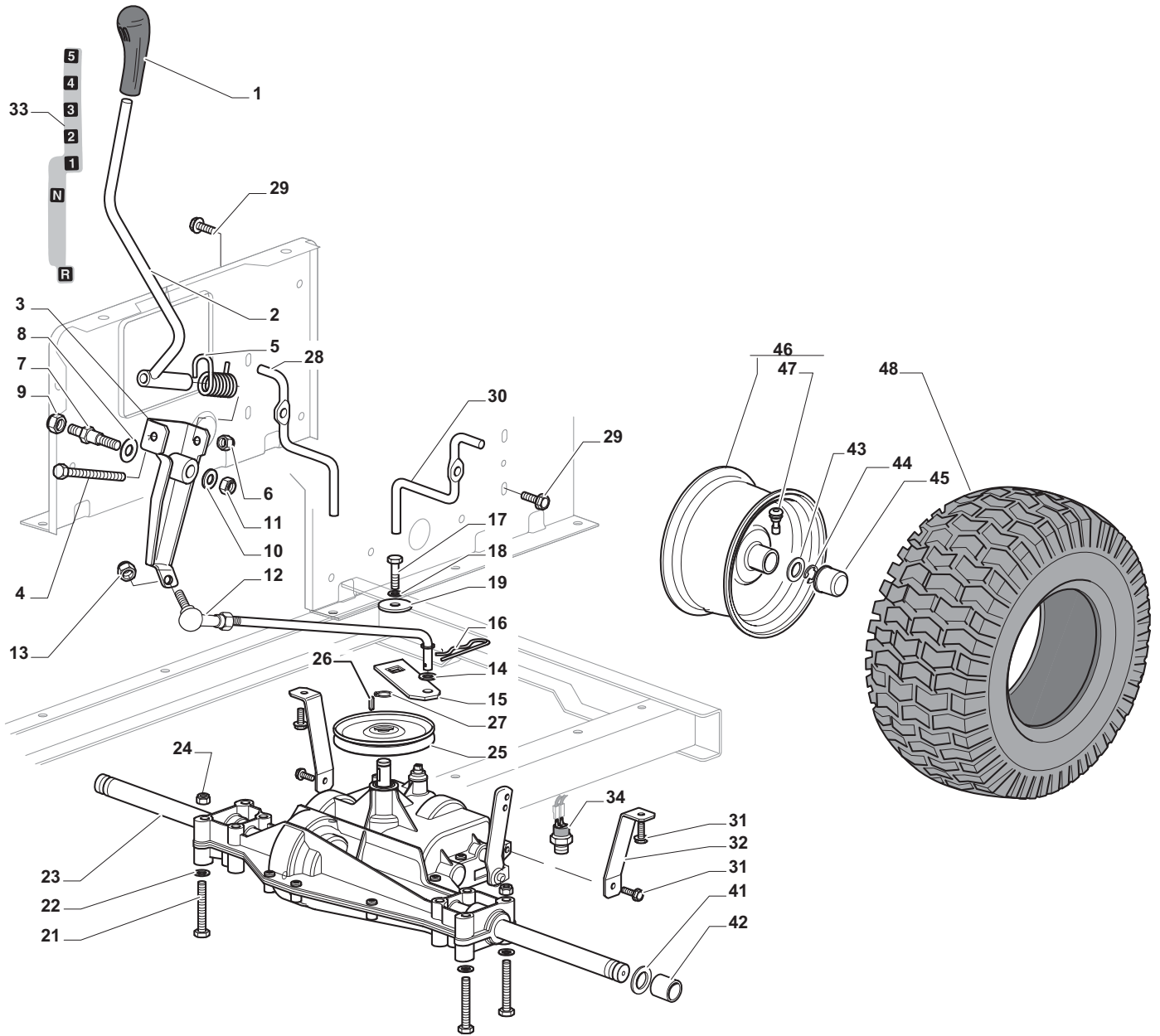
**Brake And Gearbox Controls**

Pos.	Part no.	Q.ty	Description	Remarks
1	325110391/0	1	Clamp Cover	
2	382500033/0	1	Pedal	
3	12735599/0	4	Screw	
4	325547231/0	2	Plate	
5	382000568/0	1	Rod	
6	12521350/0	1	Washer	
7	12436050/0	1	Plate	
8	25670011/0	1	Washer	
9	12155000/0	1	Nut	
11	25160021/0	1	Spacer	
12	25601567/0	1	Pulley	
13	12524010/0	2	Washer	
14	25580030/0	2	Belt Guide	
15	12360425/0	2	Nut	
20	135062013/0	1	Belt	
21	25601555/0	1	Pulley	
22	12691400/0	1	Right Screw	
23	125160051/0	1	Spacer	
24	12523060/0	1	Washer	
25	12155000/0	1	Nut	
26	12155000/0	1	Nut	
27	12523060/0	1	Washer	
28	25601554/0	1	Pulley	
29	382318235/0	1	Lever	
30	12691600/0	1	Screw	
31	25038002/1	2	Bush	
32	25160027/0	1	Spacer	
33	12155000/0	1	Nut	
34	125430262/0	1	Spring	
35	382820016/0	1	Tie Rod Ass.Y	
36	12293201/0	1	Nut	
37	12521350/0	1	Washer	
38	12604899/0	1	Crown Fastener	
41	325394534/0	1	Knob	
42	125033083/0	1	Rod	
43	325253011/0	1	Hook	
44	22524970/2	1	Pin	
45	12155000/0	1	Nut	
46	25430213/0	1	Spring	
47	12523060/0	1	Washer	



C 98 B

# Transmission





C 98 B

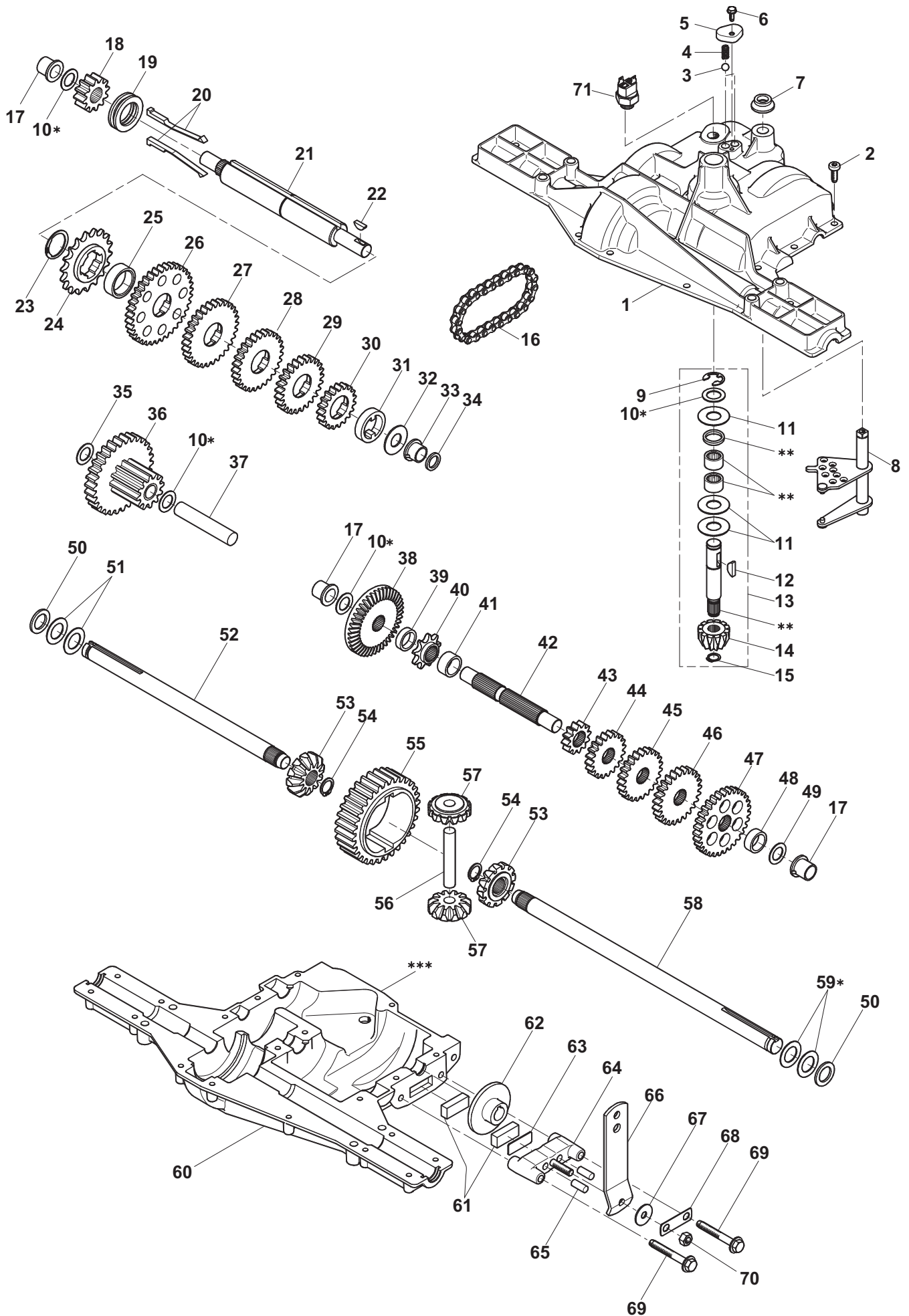
**Transmission**

Pos.	Part no.	Q.ty	Description	Remarks
1	325394532/0	1	Knob	
2	382318233/0	1	Lever	
3	382774259/0	1	Clamp	
4	12692050/0	1	Screw	
5	25430226/0	1	Spring	
6	12155000/0	1	Nut	
7	25510035/0	1	Pin	
8	22672151/0	1	Washer	
9	12293201/0	1	Nut	
10	12523060/0	1	Washer	
11	12155010/0	1	Nut	
12	382000567/0	1	Rod	
13	12154210/0	1	Nut	
14	12521340/0	1	Washer	
15	325318235/0	1	Lever	
16	12141418/0	1	Washer	
17	12735520/0	1	Screw	
18	12540040/0	1	Washer	
19	22680009/0	1	Washer	
21	12691600/0	4	Screw	
22	12521350/0	4	Washer	
23	18400912/0	1	Rear Axle (Dana 4360-211)	
24	12155000/0	4	Nut	
25	82601509/0	1	Pulley	
26	12139430/0	1	Key	
27	12608950/0	1	Seeger	
28	125270329/0	1	Belt Guide	
29	12735599/0	2	Screw	
30	125270330/0	1	Belt Guide	
31	125943009/0	4	Screw	
32	325785315/0	2	Support	
33	114363451/0	1	Label	
34	19410610/0	1	Switch, Neutral	
41	25670005/1	2	Washer	
42	125160055/0	2	Spacer	
43	25670005/1	6	Washer	
44	12001010/0	2	Benzing	
45	322110233/0	2	Hub Cover	
46	382000597/0	2	Rimm	
47	25950000/0	2	Valve	
48	125590015/0	2	Shoe	



C 98 B

# Transmission





C 98 B

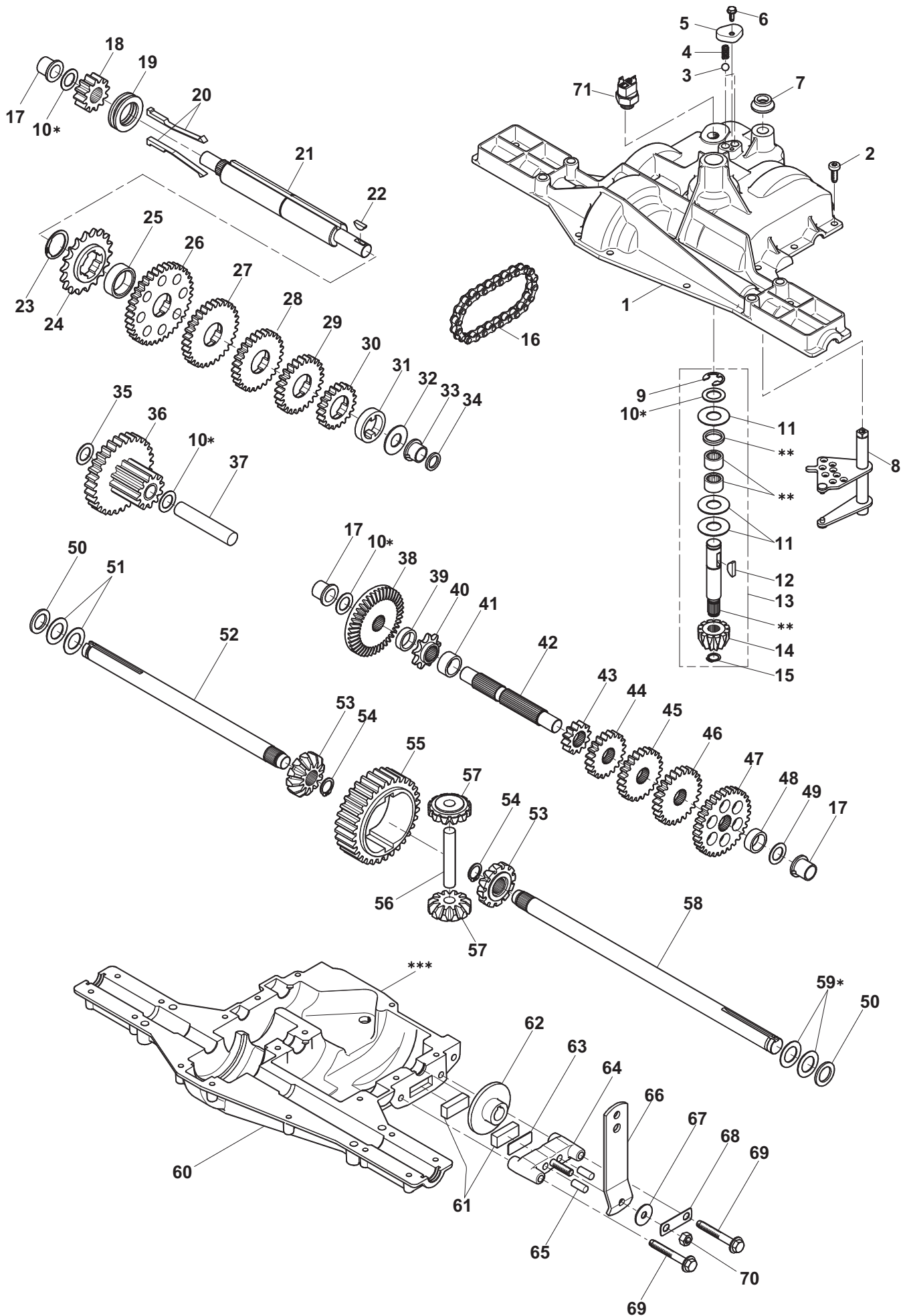
**Transmission**

Pos.	Part no.	Q.ty	Description	Remarks
1	F000-5962-AC	1	Housing, Upper	
2	F000-1919-00	16	Screw, Tapping, 43922 X .734	
3	F000-5947-00	2	Ball, Detent	
4	F000-5948-00	2	Spring, Detent	
5	F000-5950-00	1	Cover, Detent	
6	F084-0052-00	1	Screw, Tapping, No. 45566 X .482	
7	F000-7010-00	1	V-Ring	
8	F000-6517-00	1	Assy, Kit, Shifter	
9	F000-1106-00	1	Ring, Retaining	
10	F000-4689-00	4	Assy, Kit, Shim, .625Shaft	
11	F000-3876-00	3	Washer, Plain, .632 X1.38 X .046	
12	F000-1746-00	1	Key, Woodruff, No. 606	
13	F000-6595-00	1	Assy, Kit, Input Shaft	
14	F000-5620-00	1	Pinion, Bevel, 12T	
15	F000-3624-00	1	Ring, Retaining	
16	F000-3625-00	1	Chain, 24 Pitches	
17	F000-5510-00	3	Bearing, Flange	
18	F000-5627-00	1	Gear, Spur, 12T	
19	F000-5303-00	1	Collar, Clutch	
20	F000-4758-00	1	Assy, Kit, Clutch Keys	
21	F000-5737-00	1	Shaft, Intermediate	
22	F000-1375-00	1	Key, Woodruff, No. 61	
23	F000-3627-00	1	Ring, Retaining	
24	F000-3830-00	1	Sprocket, 18T	
25	F000-3841-00	1	Spacer, 1.131 X 1.45 X.494	
26	F000-5365-00	1	Gear, Spur, 37T	
27	F000-3867-00	1	Gear, Spur, 30T	
28	F000-5014-00	1	Gear, Spur, 27T	
29	F000-3783-00	1	Gear, Spur, 25T	
30	F000-5202-00	1	Gear, Spur, 19T	
31	F000-5027-00	1	Spacer, 1.133 X 1.50 X.375	
32	F000-3628-00	1	Washer, Plain, .640 X1.37 X .061	
33	F000-5511-00	1	Bearing, Flange	
34	F000-5508-00	1	Seal, Oil	
35	F000-1425-00	1	Washer, Plain, .632 X1.00 X .046	
36	F000-6358-00	1	Assy, Gear, Comb., 12T& 30T	
37	F000-3967-00	1	Shaft, Idler	
38	F000-7003-00	1	Gear, Bevel, 36T	
39	F000-3630-00	1	Spacer, .781 X 1.00 X.281	
40	F000-3645-00	1	Sprocket, 9T	
41	F000-5016-00	1	Spacer, .781 X 1.00 X.494	
42	F000-5015-00	1	Shaft, Drive	
43	F000-5364-00	1	Gear, Spur, 12T	
44	F000-3866-00	1	Gear, Spur, 20T	
45	F000-5013-00	1	Gear, Spur, 23T	
46	F000-3719-00	1	Gear, Spur, 25T	
47	F000-3683-00	1	Gear, Spur, 31T	
48	F000-3714-00	1	Spacer, .781 X 1.00 X.375	
49	F000-1145-00	1	Washer, Plain, .632 X1.00 X .060	
50	F000-5130-00	2	Washer, Neoprene	
51	F000-3184-00	2	Washer, Plain, .758 X1.25 X .031	
52	F000-7070-10	1	Axle, Lh	
53	F000-5622-00	2	Gear, Miter, 12T, Splined	
54	F000-5270-00	2	Ring, Retaining	
55	F000-3839-00	1	Gear, Spur, 32T	
56	F000-3919-00	1	Shaft, Cross	
57	F000-5623-00	2	Gear, Miter, 12T, Idler	
58	F000-7070-20	1	Axle, Rh	
59	F000-4691-00	1	Assy, Kit, Shim, .750Shaft	
60	F000-5304-R0	1	Housing, Lower	
61	F000-7109-00	2	Puck, Friction	
62	F000-5960-00	1	Disc, Brake	
63	F000-3758-00	1	Spacer, Brake Puck	



C 98 B

# Transmission





C 98 B

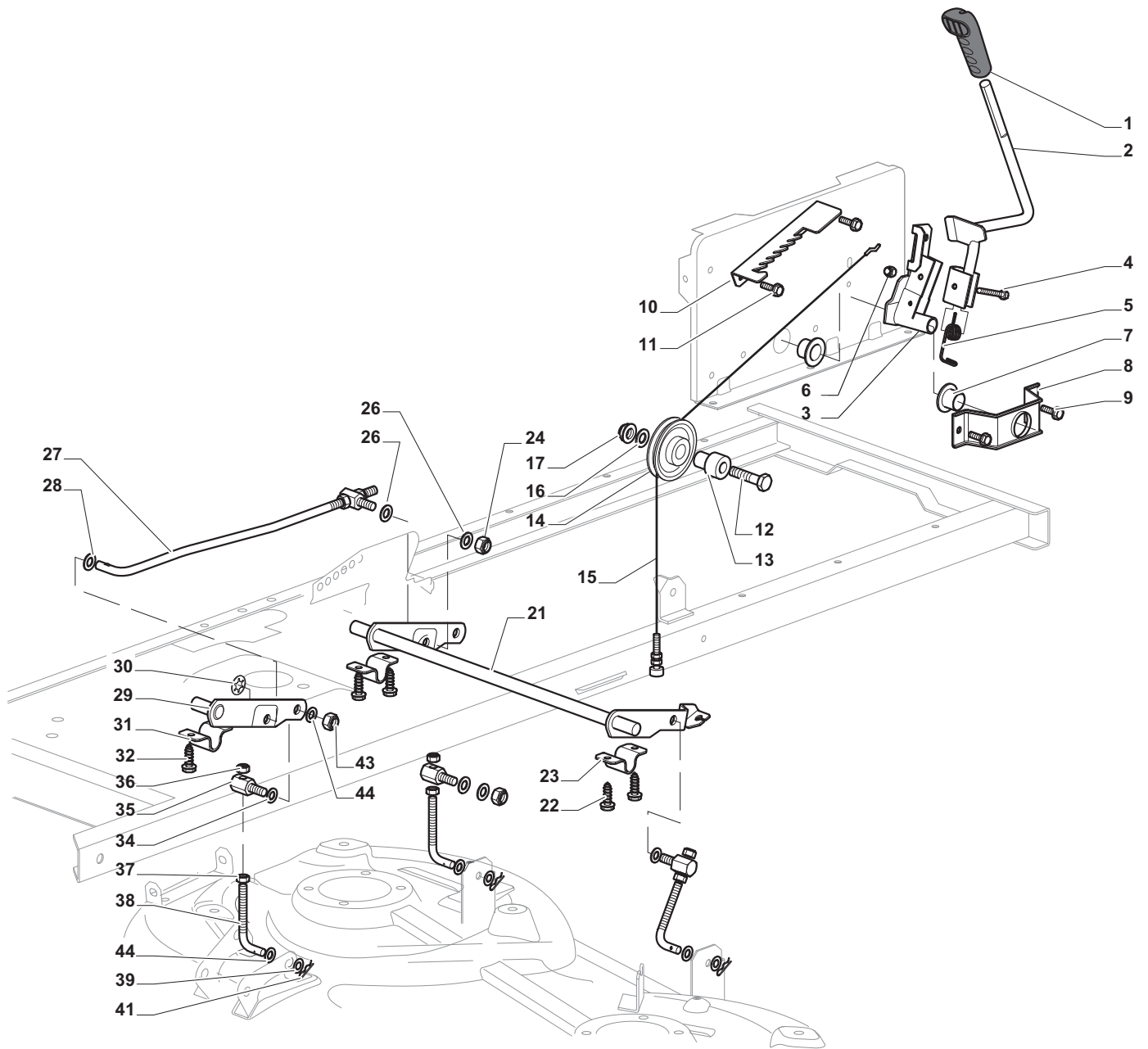
### Transmission

Pos.	Part no.	Q.ty	Description	Remarks
64	F000-5554-00	1	Jaw, Brake	
65	F000-3843-00	2	Pin, Dowel	
66	F000-7026-00	1	Lever, Actuating	
67	F000-3760-00	1	Washer, Plain, .321 X1.00 X .055	
68	F000-5555-00	1	Bracket, Anti-Rotation	
69	F000-5562-00	2	Screw, Tapping, 5/16-18 X 2.35	
70	F000-3847-00	1	Nut, Lock, 5/16-24	
71	19410610/0	1	Switch, Neutral	
72	F000-4300-00	1	Grease	



C 98 B

# Cutting Plate Lifting







C 98 B

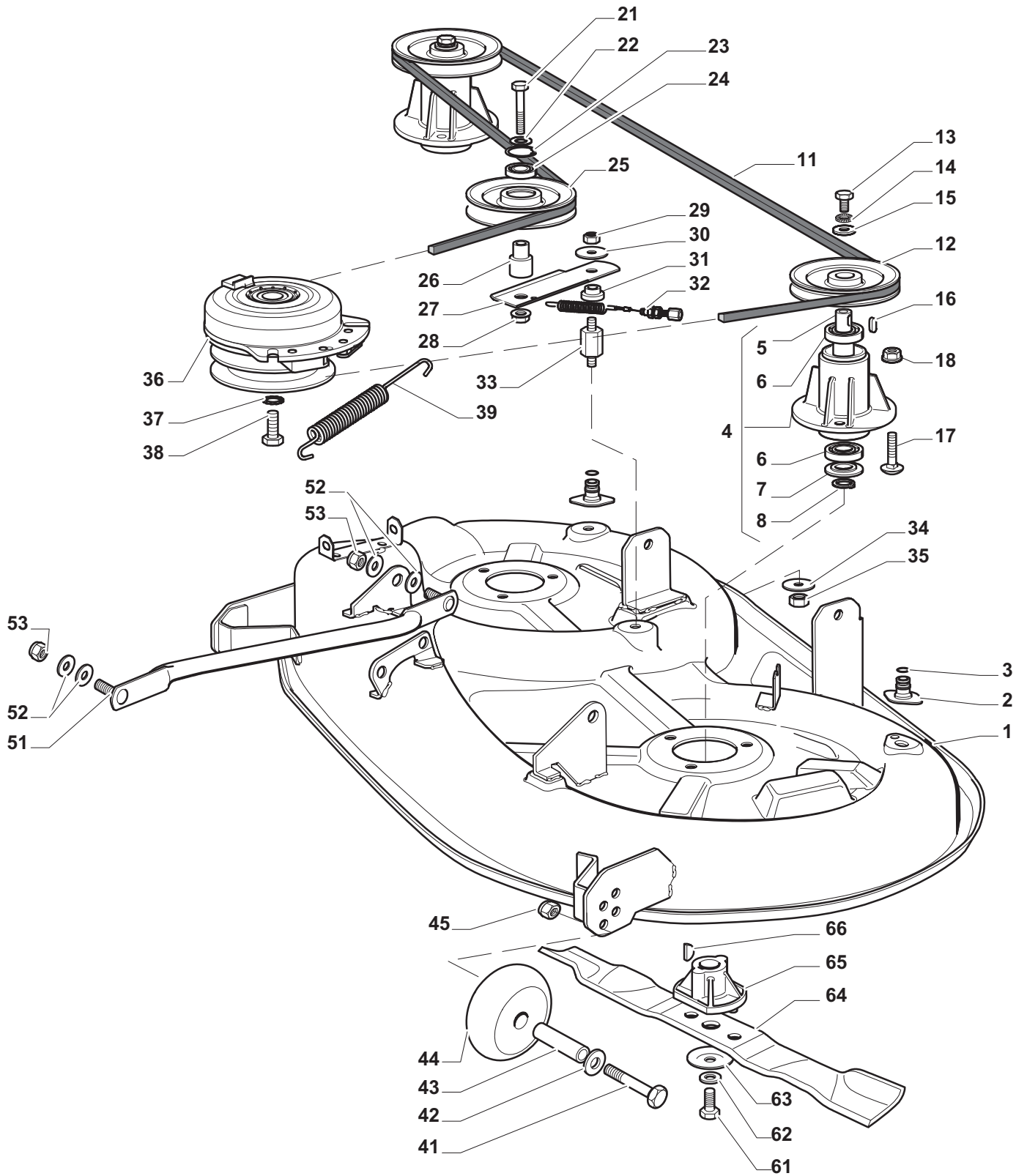
**Cutting Plate Lifting**

Pos.	Part no.	Q.ty	Description	Remarks
1	325394533/0	1	Knob	
2	382318229/0	1	Lever	
3	382318231/0	1	Axle	
4	12674700/0	1	Screw	
5	125430261/0	1	Spring	
6	12154510/0	1	Nut	
7	325038006/0	2	Bush	
8	325785297/0	1	Support	
9	125943009/0	2	Screw	
10	325735515/0	1	Steering Shaft	
11	125943009/0	2	Screw	
12	12793701/0	1	Screw	
13	125040636/0	1	Bush	
14	125601579/0	1	Pulley	
15	382004620/0	1	Wire	
16	12523060/0	1	Washer	
17	12293201/0	1	Nut	
21	382318239/0	1	Axle	
22	12735599/0	4	Screw	
23	325547231/0	2	Plate	
24	12155000/0	1	Nut	
26	25670011/0	2	Washer	
27	382000569/0	1	Connecting Rod	
28	12521350/0	1	Washer	
29	382318237/0	1	Axle	
30	12604899/0	1	Crown Fastener	
31	325547231/0	1	Plate	
32	12735599/0	2	Screw	
34	25670008/1	3	Washer	
35	125510107/1	3	Pin	
36	12156602/0	3	Nut	
37	12295200/0	3	Nut	
38	25840012/0	3	Tie Rod	
39	12523060/0	3	Washer	
41	24487998/0	3	Cotter Pin	
43	12156602/0	3	Nut	
44	25670008/1	6	Washer	



C 98 B

# Cutting Plate





C 98 B

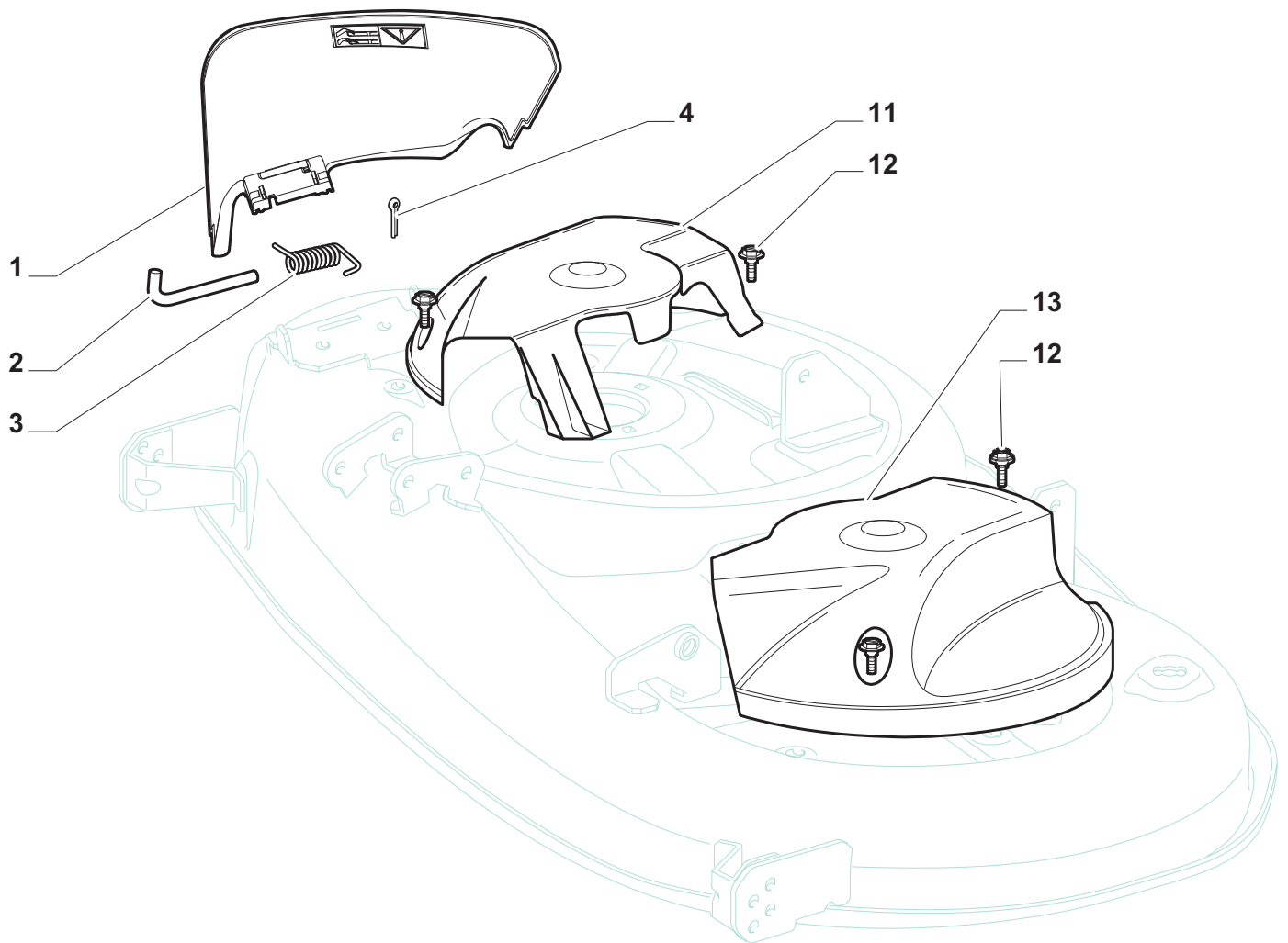
**Cutting Plate**

Pos.	Part no.	Q.ty	Description	Remarks
1	382564209/0	1	Plate	
2	325033086/0	2	Water Hose Connection	
3	19035000/0	2	Or Ring	
4	382207204/0	2	Flange Ass.Y	
5	125020804/0	2	Shaft	
6	119216047/0	4	Bearing	
7	25160501/0	2	Dust Cover	
8	12609260/0	2	Seeger	
11	135061504/0	1	Belt	
12	25601571/0	2	Pulley	
13	12793102/0	2	Screw	
14	12540260/0	2	Washer	
15	25670007/0	2	Washer	
16	12139480/0	2	Feather	
17	12818690/0	6	Screw	
18	12154210/0	6	Nut	
21	12691400/0	1	Right Screw	
22	12524010/0	1	Washer	
23	12610800/0	1	Seeger	
24	119216048/0	1	Bearing	
25	125601586/0	1	Pulley	
26	125160052/0	1	Spacer	
27	325318232/0	1	Lever	
28	12293201/0	1	Nut	
29	12155020/0	1	Nut	
30	125670022/0	1	Washer	
31	125040635/0	1	Bush	
32	82004618/0	1	Wire	
33	125160049/0	1	Spacer	
34	12523080/0	1	Washer	
35	12156602/0	1	Nut	
36	118399063/0	1	Clutch	
37	12543000/0	1	Washer	
38	12737320/0	1	Screw	
39	22430216/0	1	Spring	
41	12692050/0	2	Screw	
42	12523060/0	2	Washer	
43	25510072/0	2	Spacer	
44	82700001/0	2	Anti Scalp Wheel Ø 100	
45	12293201/0	2	Nut	
51	382000565/0	2	Equalizer Rod	
52	25670008/1	8	Washer	
53	12156602/0	4	Nut	
61	12735694/0	2	Screw	
62	12523080/0	2	Washer	
63	22160400/0	2	Dust Cover	
64	82004346/0	2	Right Blade Mulching	
65	25463200/0	2	Blade Hub	
66	12139100/0	2	Feather, Crankshaft Ø 22.2	



C 98 B

# Guards





C 98 B

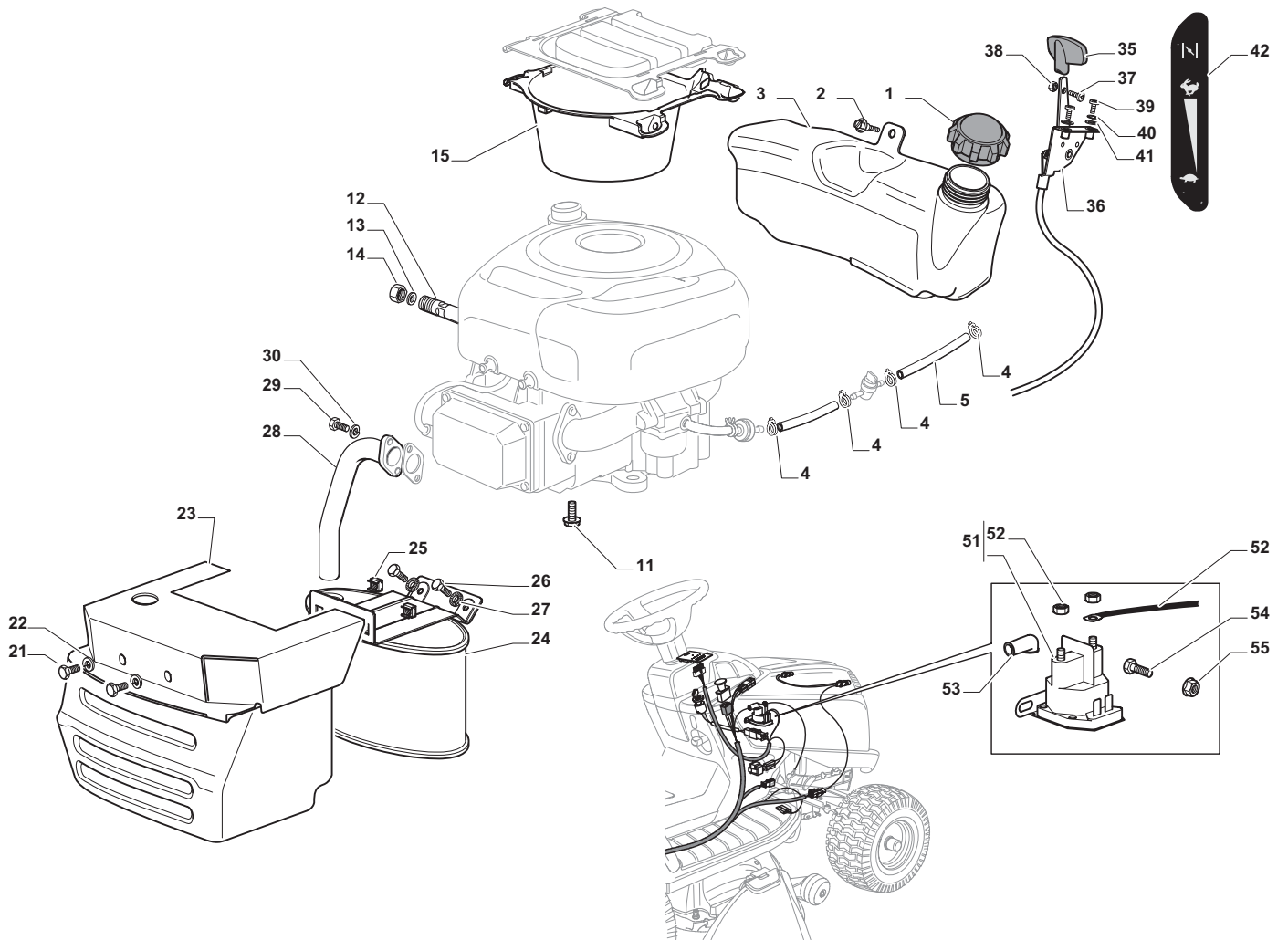
## Guards

Pos.	Part no.	Q.ty	Description	Remarks
1	325600077/1	1	Exit Protection	
2	25510073/0	1	Pin	
3	125430242/1	1	Spring	
4	12141418/0	1	Washer	
11	325600078/0	1	Case	
12	125943006/0	4	Screw	
13	325600079/0	1	Case	



C 98 B

Engine - B&S

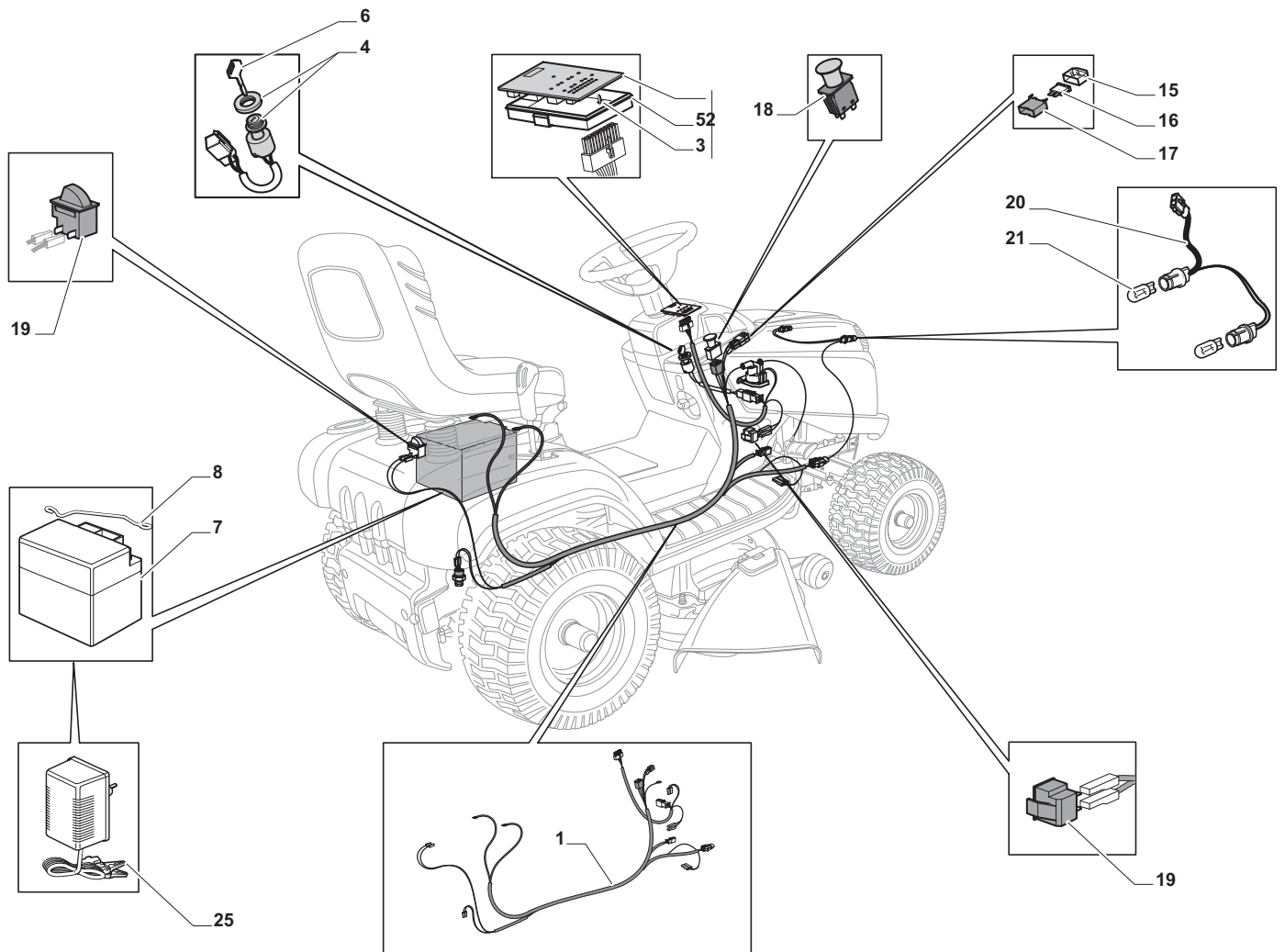




C 98 B

**Engine - B&S**

Pos.	Part no.	Q.ty	Description	Remarks
1	25795001/1	1	Cap	
2	125943010/0	4	Screw	
3	325735126/0	1	Tank	
4	18375051/1	4	Fair Led	
5	25869057/0	1	Connecting Tube (1000 Mm)	
6	12691100/0	3	Left Screw	
7	12154210/0	3	Nut	
8	12691115/0	1	Left Screw	
9	12540260/0	1	Washer	
10	12154210/0	1	Nut	
11	112735108/1	3	Screw	
12	25598050/0	1	Oil Discharge Extension	
13	18401001/1	1	Oil Seal	
14	18737849/0	1	Oil Cap	
15	325108044/1	1	Conveyor	
21	12792611/0	2	Screw	
22	12540260/0	2	Washer	
23	382598047/0	1	Muffler Protection	
24	182750010/0	1	Muffler	
25	12360425/0	2	Nut	
26	12792611/0	2	Screw	
27	12540260/0	2	Washer	
28	18738224/0	1	Exhaust Tube	
29	12737450/0	2	Screw	
30	12540260/0	2	Washer	
31	12691115/0	1	Left Screw	
32	12154210/0	1	Nut	
35	325394531/0	1	Knob	
36	182000216/0	1	Accelerator	
37	112726389/0	1	Screw	
38	12290800/0	1	Nut	
39	112726389/0	2	Screw	
40	12540020/0	2	Washer	
41	12521310/0	2	Washer	
42	114363697/0	1	Label	
51	18736111/0	1	Starter Relay	
52	12360352/0	2	Nut	
53	25065002/0	1	Cable	
54	18564864/1	1	Protection	
55	12790781/0	1	Screw	
56	12154510/0	2	Nut	



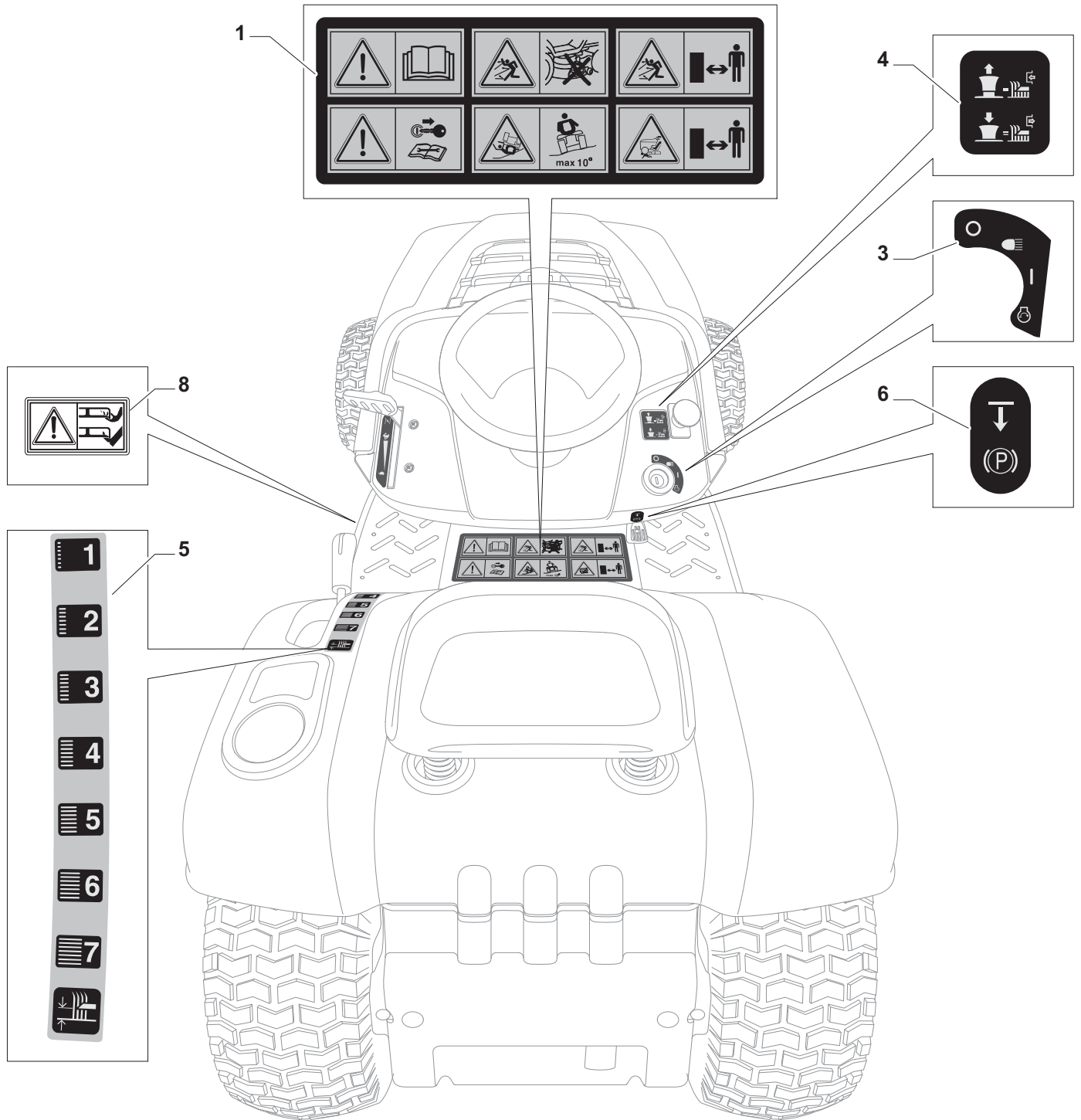




C 98 B

**Electrical Parts**

Pos.	Part no.	Q.ty	Description	Remarks
1	182040150/0	1	Cables Ass.Y	
2	382722429/0	1	Electronic Card	
3	12735101/0	1	Screw	
4	118450075/0	1	Starting Switch	
5	325600080/0	1	Card Protection	
6	118210023/0	1	Starting Key	
7	18120002/1	1	Battery	
8	125430265/0	1	Spring	
15	33215000/0	2	Cover	
16	33340036/0	1	Fuse 25 A	
16	33340040/0	1	Fuse 10A	
17	33500007/0	2	Fuse Carrier	
18	118450074/0	1	Clutch Switch	
19	119410613/0	2	Micro	
20	82040073/0	1	Cable	
21	18459100/0	2	Farilamp For Lights	
25	182180090/0	1	Battery Charger	





C 98 B

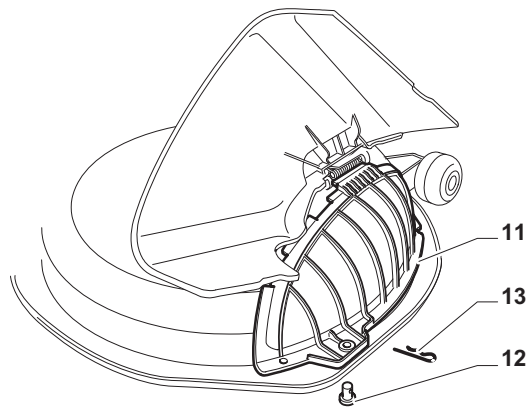
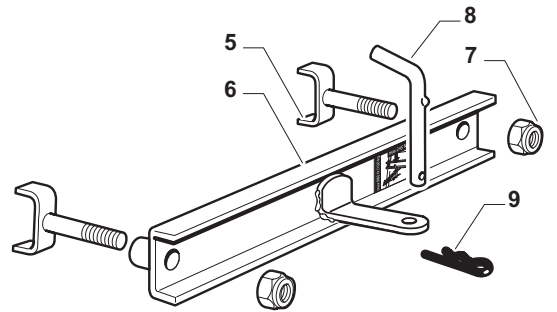
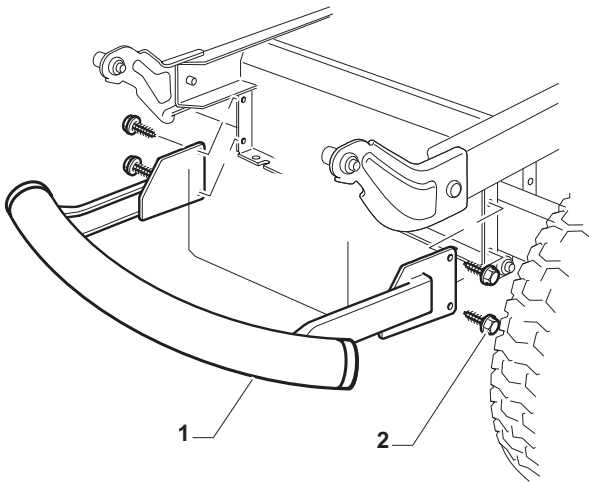
## Labels

Pos.	Part no.	Q.ty	Description	Remarks
1	114362365/1	1	Label	
3	114363699/0	1	Label	
4	14361438/0	1	Label	
5	114363701/0	1	Label	
6	114363700/0	1	Label	
8	114356699/1	1	Label	



C 98 B

Optionals On Request





C 98 B

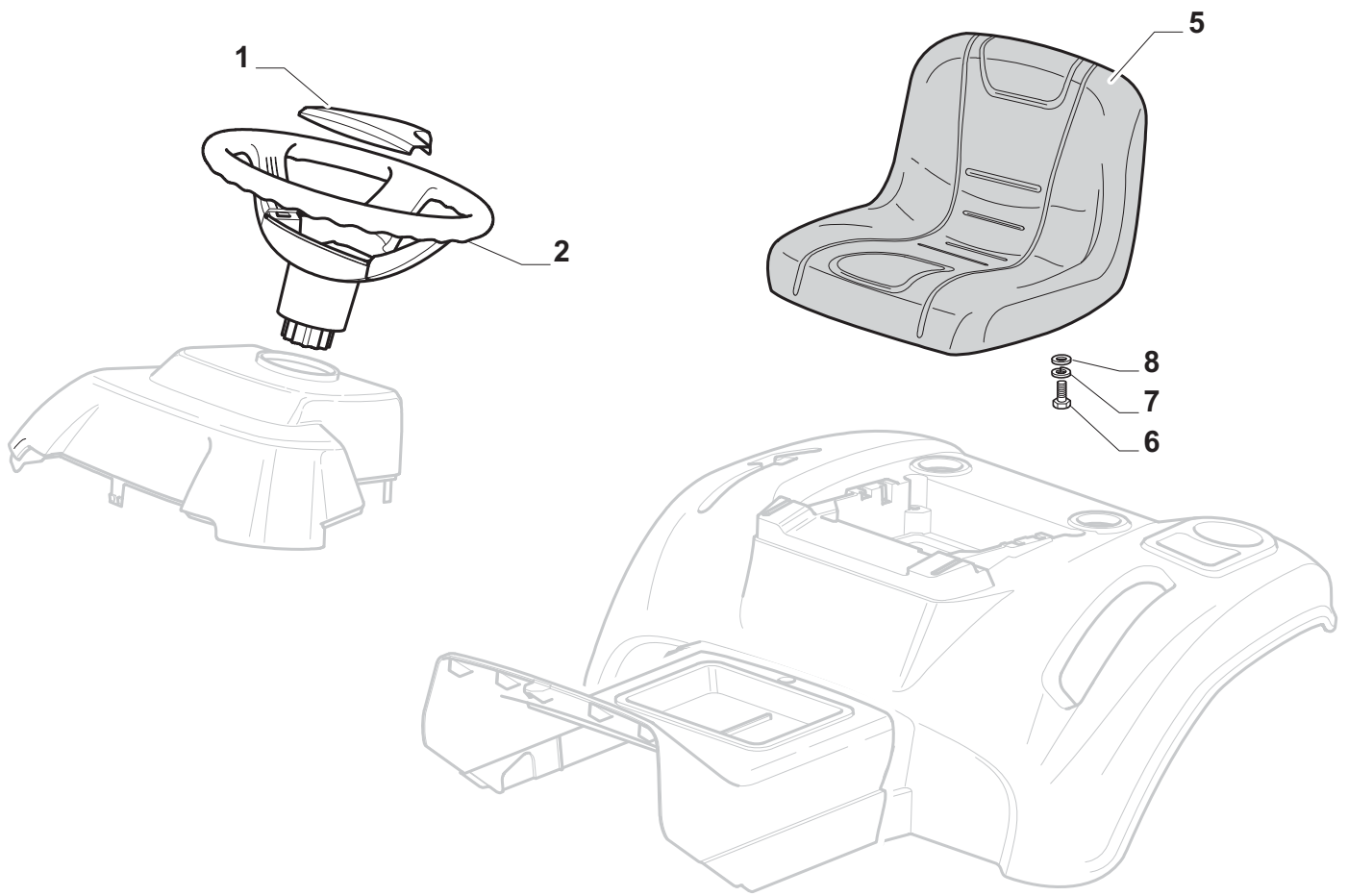
### Optionals On Request

Pos.	Part no.	Q.ty	Description	Remarks
1	382869038/0	1	Muffler Protection	
2	125943008/0	4	Screw	
5	382650211/0	2	Stiffening	
6	382033111/0	1	Rod	
7	12155000/0	2	Nut	
8	25510021/1	1	Pin	
9	24487999/0	1	Cotter Pin	
11	325140099/0	1	Deflector	
12	125510111/0	1	Pin	
13	24487998/0	1	Cotter Pin	



C 98 B

# Seat & Steering Wheel





C 98 B

## Seat & Steering Wheel

Pos.	Part no.	Q.ty	Description	Remarks
1	325580503/0	1	Steering Plate	
2	325961219/0	1	Steering Wheel	
5	125722472/0	1	Seat	
6	12792611/0	4	Screw	
7	12540260/0	4	Washer	
8	12523060/0	4	Washer	