

CTH182 T

Spare parts

Ersatzteile

Pièces détachées

Reserve onderdelen

Repuestos

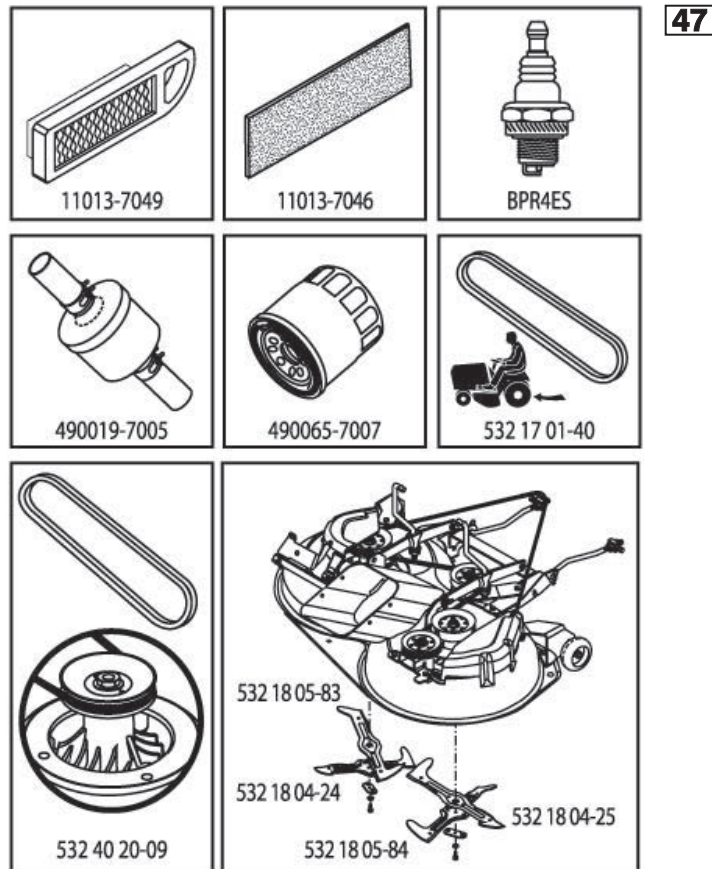
Reservdelar

ILLUSTRATED PARTS LIST

MFG. ID NO. 96061031000

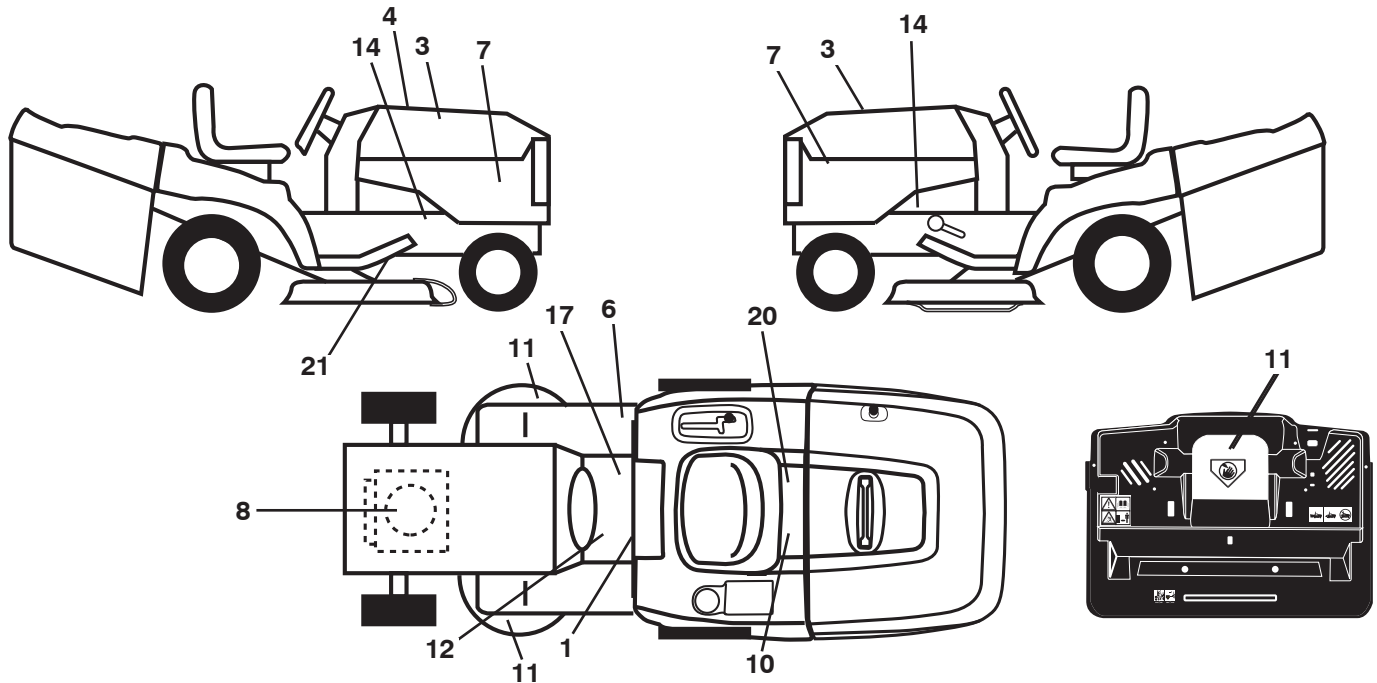
CUSTOMER CATALOG NO. CTH 182T

PRODUCT NO. 960 61 03-10



437962

**TRACTOR - - MODEL NO. CTH 182T (96061031000), PRODUCT NO. 960 61 03-10
DECALS 27**



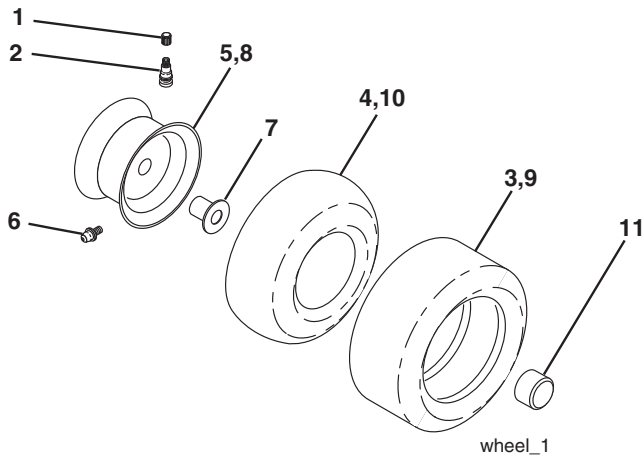
**KEY PART
NO. NO.**

KEY PART NO.	NO.	DESCRIPTION
1	532 40 03-89	Decal, Warning Symbols CE
3	581 62 73-01	Decal, Hood
4	532 43 79-62	Decal, Replacement
6	532 18 04-32	Decal, 100 DBA
7	532 43 95-88	Decal, Hood Side Panel
8	532 19 68-41	Decal, Warning Eng. Sym
10	532 14 50-05	Decal, Bat Dan/Poi P/L Sym Wpn
11	532 18 21-66	Decal, Mower Cut Finger Symbol
12	532 15 97-37	Decal, Brake/Clutch Symbol Lt
14	532 15 97-36	Decal, Chassis Hot Muffler
17	532 14 08-37	Decal, Saddle Brake Parking
20	532 16 69-60	Decal, Bypass Fender CRD
21	532 16 62-86	Decal, Hex Belt Sch 92 CRD

**KEY PART
NO. NO.**

KEY PART NO.	NO.	DESCRIPTION
--	532 18 04-35	Decal, Rear Plate CRD Symbols
--	532 13 83-11	Decal, Handle Lift Adjust
--	532 18 19-17	Pad, Footrest RH
--	532 18 19-16	Pad, Footrest LH
--	532 43 92-16	Manual, Operator's (Euro)
--	532 43 92-17	Manual, Operator's (Scand)
--	532 43 92-18	Manual, Operator's (E-Bloc)
--	532 43 92-19	Manual, Operator's (Baltic)
--	532 44 05-61	Manual, Operator's Dumping (Euro)
--	532 44 05-59	Manual, Operator's Dumping (Scand)
--	532 44 05-60	Manual, Operator's Dumping (E-Bloc)
--	532 44 05-58	Manual, Operator's Dumping (Baltic)

WHEELS & TIRES



**KEY PART
NO. NO.**

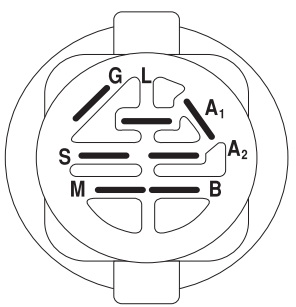
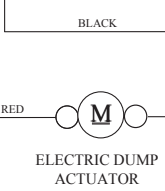
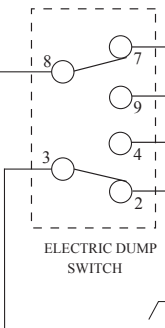
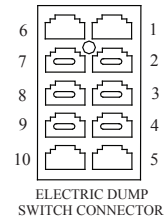
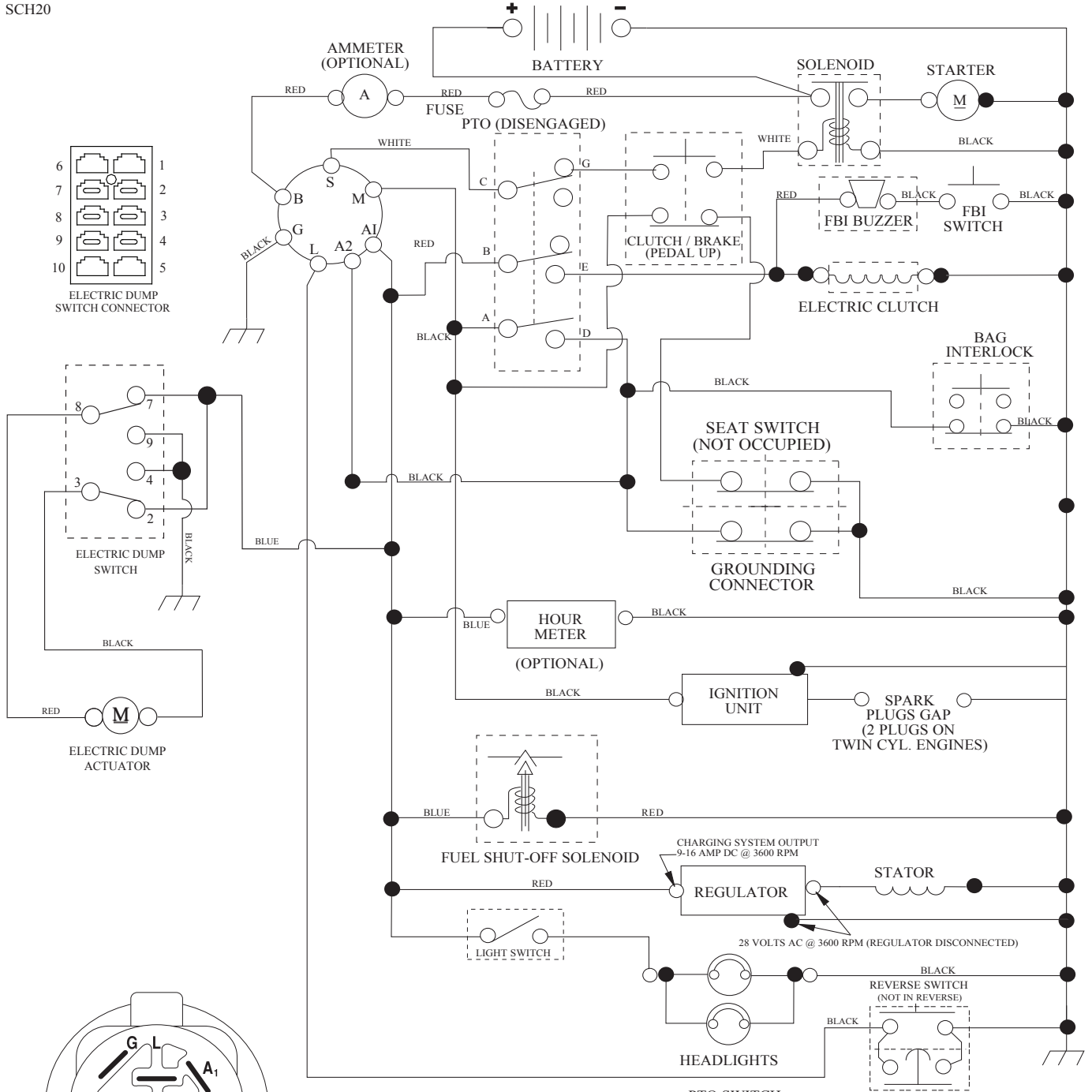
KEY PART NO.	NO.	DESCRIPTION
1	532 05 91-92	Cap Valve Tire
2	532 06 51-39	Stem Valve
3	532 10 62-22	Tire F Ts 15 x 6 0 - 6 Service
4	532 05 99-04	Tube Inner Front #35060
5	532 13 83-36	Rim Asm 6" Front Service
6	532 12 49-57	Fitting Grease
7	532 12 49-59	Bearing Flange
8	532 13 83-37	Rim Asm 8" Rear Service
9	532 12 20-82	Tire R Ts 20 x 10-8 Service
10	532 12 49-26	Tube Rear 9 5 x 8 Service
11	532 17 50-39	Cap Axle Blk 1 50 x 1 00
--	532 14 43-34	Sealant, Tire (10 oz. tube)

NOTE: All component dimensions given in U.S. inches
1 inch = 25.4 mm

TRACTOR - - MODEL NO. CTH 182T (96061031000), PRODUCT NO. 960 61 03-10

SCHEMATIC **38**

SCH20

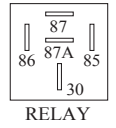


IGNITION SWITCH

POSITION	CIRCUIT "MAKE"
OFF	M+G+A1
RUN/OVERRIDE	B+A1
RUN	B+A1 L+A2
START	B + S + A1

WIRING INSULATED CLIPS
 NOTE: IF WIRING INSULATED CLIPS WERE REMOVED FOR SERVICING OF UNIT, THEY SHOULD BE RE-INSTALLED TO PROPERLY SECURE YOUR WIRING.

POSITION	CIRCUIT
OFF	C + G, B + H
ON	C + F, B + E, A + D



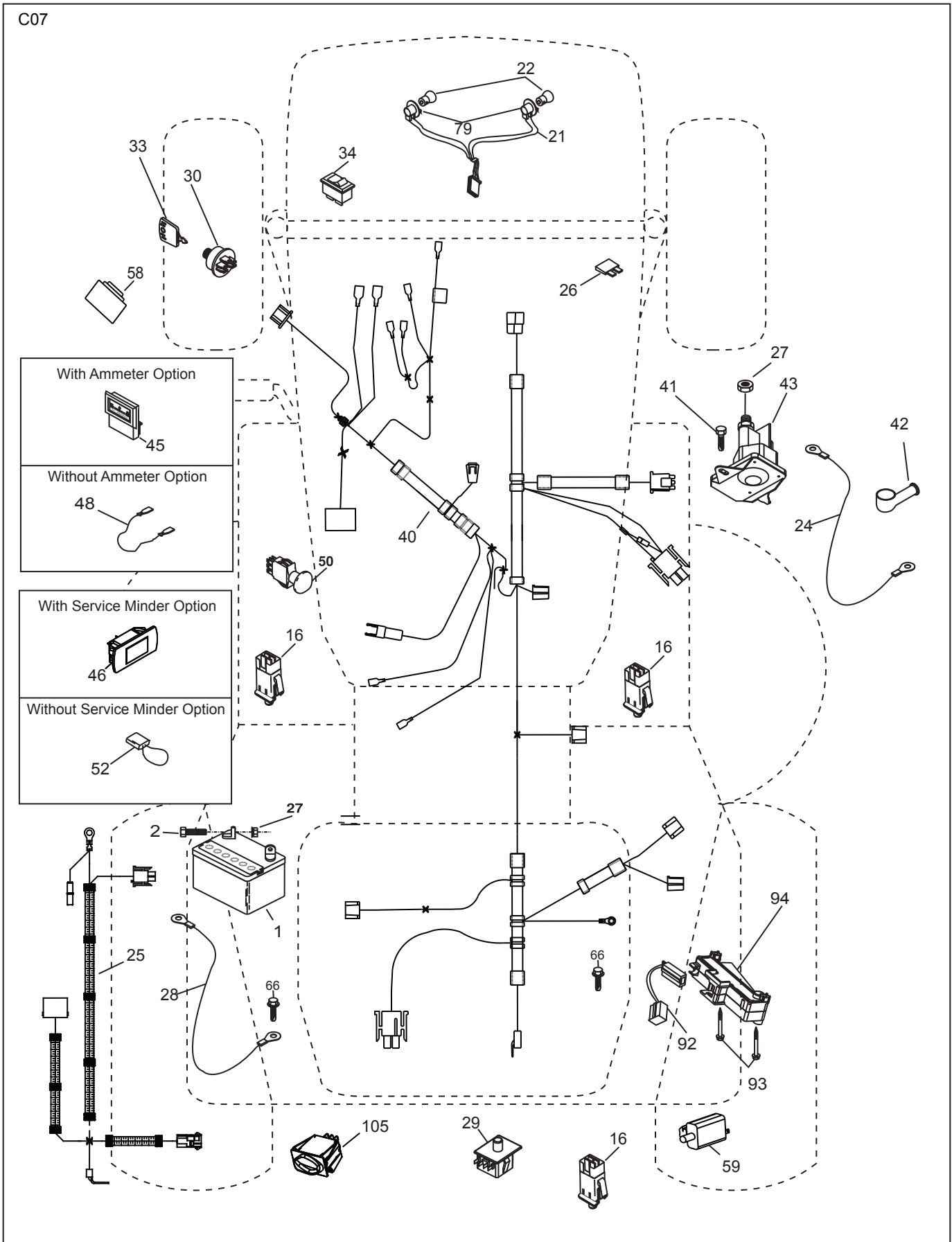
NON-REMOVABLE CONNECTIONS

REMOVABLE CONNECTIONS

03048

TRACTOR - - MODEL NO. CTH 182T (96061031000), PRODUCT NO. 960 61 03-10
ELECTRICAL **32**

C07

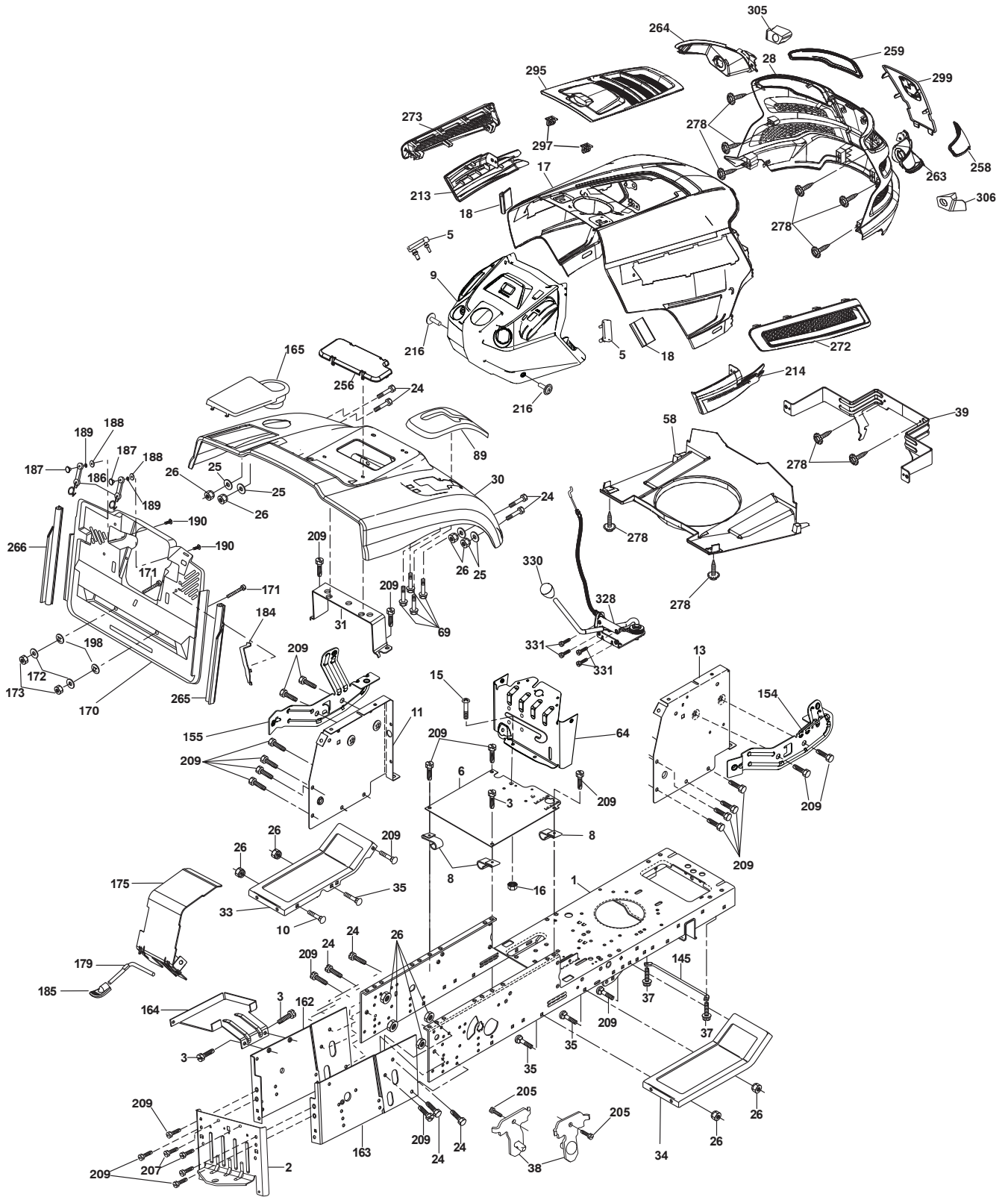


**TRACTOR - - MODEL NO. CTH 182T (96061031000), PRODUCT NO. 960 61 03-10
ELECTRICAL 32**

KEY NO.	PART NO.	DESCRIPTION
1	532 16 34-65	Battery
2	874 76 04-12	Bolt Hex Hd 1/4-20 unc x 3/4
16	532 17 61-38	Switch Interlock
21	532 40 02-52	Harness Asm Light w/4152J
22	532 00 41-52	Bulb Light #1156
24	532 42 12-99	Cable Starter 6 Ga. 11" Red
25	532 42 98-69	Cable Battery Crd 56" Red
26	532 17 51-58	Fuse
27	873 51 04-00	Nut Keps Hex 1/4-20 unc
28	532 12 77-25	Cable Ground 6 Ga. 18" Black
29	532 19 27-49	Switch Seat
30	532 19 33-50	Switch Ignition
33	532 41 19-35	Key/Chain
34	532 11 07-12	Switch Light
40	532 42 98-70	Harness Ignition
41	871 11 04-08	Bolt Flk Fin Hex 1/4-20 unc x 1/2
42	532 13 15-63	Cover Terminal Red
43	532 19 25-07	Solenoid
46	532 40 17-63	Service Minder Hourmeter
48	532 14 08-44	Adapter Ammeter Rectangular
50	532 17 46-51	Switch PTO
58	532 16 94-19	Buzzer Crd
59	532 18 03-79	Switch FBI CRD
66	817 49 06-08	Screw Thdrol 3/8-16 x 1/2 Ty-Tt
79	532 17 52-42	Socket Asm. Bulb Twistlock
92	532 19 66-15	Harness Pigtail
93	532 19 25-40	Screw Plastite 10-44 x 2.0
94	532 19 18-34	Module Reverse
105	532 43 04-44	Rotary Switch

NOTE: All component dimensions given in U.S. inches.
1 inch = 25.4 mm.

TRACTOR - - MODEL NO. CTH 182T (96061031000), PRODUCT NO. 960 61 03-10
CHASSIS AND ENCLOSURES **39**



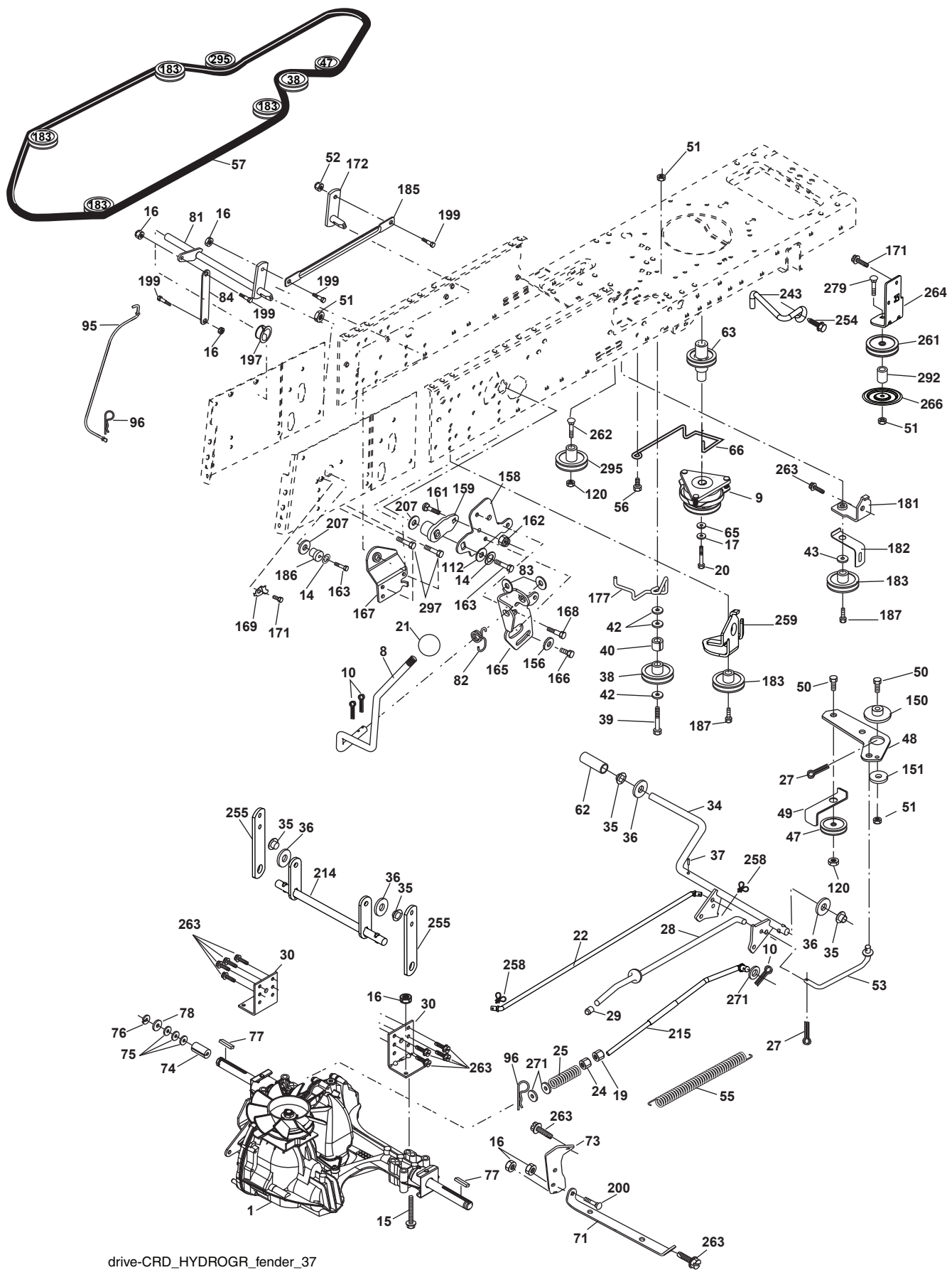
chassis-CRD_TEX GT HUSQ II_1_r1

**TRACTOR - - MODEL NO. CTH 182T (96061031000), PRODUCT NO. 960 61 03-10
CHASSIS AND ENCLOSURES **39****

KEY NO.	PART NO.	DESCRIPTION	KEY NO.	PART NO.	DESCRIPTION
1	532 17 46-20	Chassis	172	819 13 20-16	Washer 13/32 x 1-1/4 x 16 Ga.
2	532 18 03-84	Drawbar	173	873 51 06-00	Nut, Keps Hex 3/8-16 unc
3	817 06 06-12	Screw 3/8-16 x 3/4	175	532 18 82-03	Door Trap
5	532 40 75-90	Bumper Hood/Dash	179	532 18 82-02	Rod Pivot FBI CRD
6	532 18 44-19	Saddle	184	532 17 46-62	Bracket Actuator Bagger CRD
8	532 12 64-71	Clip Insulator 13/32 Mtg. Hole	185	532 18 11-01	Knob Rod Brake Parking
9	532 44 06-55	Dash Upper	186	532 16 07-93	Latch Asm Mulch/Bagger
10	872 14 06-08	Bolt, Carriage 3/8-16 x 3/4	187	532 12 50-04	Nut Weld
11	532 16 72-03	Panel, Dash, LH	188	819 06 12-16	Washer #10
13	532 17 82-98	Panel, Asm. Dash RH	189	810 07 10-00	Washer Lock #10
15	874 18 05-12	Screw, Machine, THD 5/16-18 unc x 3/4	190	871 08 10-10	Screw Pan Hd Phillip 10-24 x 5/8
16	873 51 05-00	Nut Keps 5/16-18 unc	198	532 16 89-37	Nut, Push
17	532 44 11 77	Hood	205	817 49 06-08	Screw Thdrol 3/8-16 x 1/2
18	532 40 47-42	Bumper Hood	207	817 67 05-08	Screw Thdrol 5/16-18 x 1/2
24	874 78 06-16	Bolt	209	817 00 06-12	Screw Hex Wsh Thdrol 3/8-16
25	819 13 13-12	Washer 13/32 x 13/16 x 12 Ga.	213	532 43 97-29	Skirt Side LH
26	873 80 06-00	Nut	214	532 43 97-30	Skirt Side RH
28	532 44 06-53	Grille/Lens Asm	216	817 06 04-10	Hex Tapping Screw
30	532 44 12-65	Fender	256	532 18 13-61	Cover Fender Rack
31	532 16 51-56	Bracket, Fender Support	258	532 43 97-32	Lens RH
33	532 18 10-57	Footrest, LH	259	532 43 97-33	Lens LH
34	532 18 10-58	Footrest, RH	263	532 43 97-34	Bezel RH
35	872 11 06-06	Bolt	264	532 43 97-35	Bezel LH
37	817 49 05-08	Screw Thdrol 5/16-18 x 1/2 TYT	265	532 18 57-04	Seal RH Side Bagger
38	532 18 17-48	Bracket Asm Pivot Mower Rear	266	532 18 57-03	Seal LH Side Bagger
39	532 43 66-70	Bracket Pivot Hood	272	532 43 97-28	Vent Hood RH
58	532 43 97-31	Duct Air	273	532 43 97-27	Vent Hood LH
64	532 17 49-97	Dash Lower	278	532 41 63-58	Screw #10 x 0.750
69	532 14 24-32	Screw Hx Wsh Hi-Lo 1/4-1/2	295	532 43 57-15	Vent Top Hood Asm.
89	532 19 73-77	Console Crd Auto Grey	297	532 19 91-45	Clip Retainer
145	532 40 91-67	Rod Pivot Chassis/Hood	299	532 43 97-52	Applique
154	532 40 86-90	Bracket Mounting Dash RH	305	532 43 74-56	Insert Reflective LH
155	532 40 86-91	Bracket Mounting Dash LH	306	532 43 74-55	Insert Reflective RH
162	532 18 03-82	Bracket Exten Chassis LH CRD	328	532 43 89-71	Control
163	532 18 03-83	Bracket Exten Chassis RH CRD	330	532 44 06-39	Knob
164	532 16 56-05	Support Battery CRD	331	532 40 07-76	Screw
165	532 43 22-76	Cover Battery	--	532 40 09-44	Bumper Kit
170	532 19 94-88	Backplate CRD			
171	872 14 06-20	Bolt Rdhd Sqnk 3/8-16 x 2-1/2 Gr. 5			

NOTE: All component dimensions given in U.S. inches.
1 inch = 25.4 mm.

TRACTOR - - MODEL NO. CTH 182T (96061031000), PRODUCT NO. 960 61 03-10
 DRIVE **40**



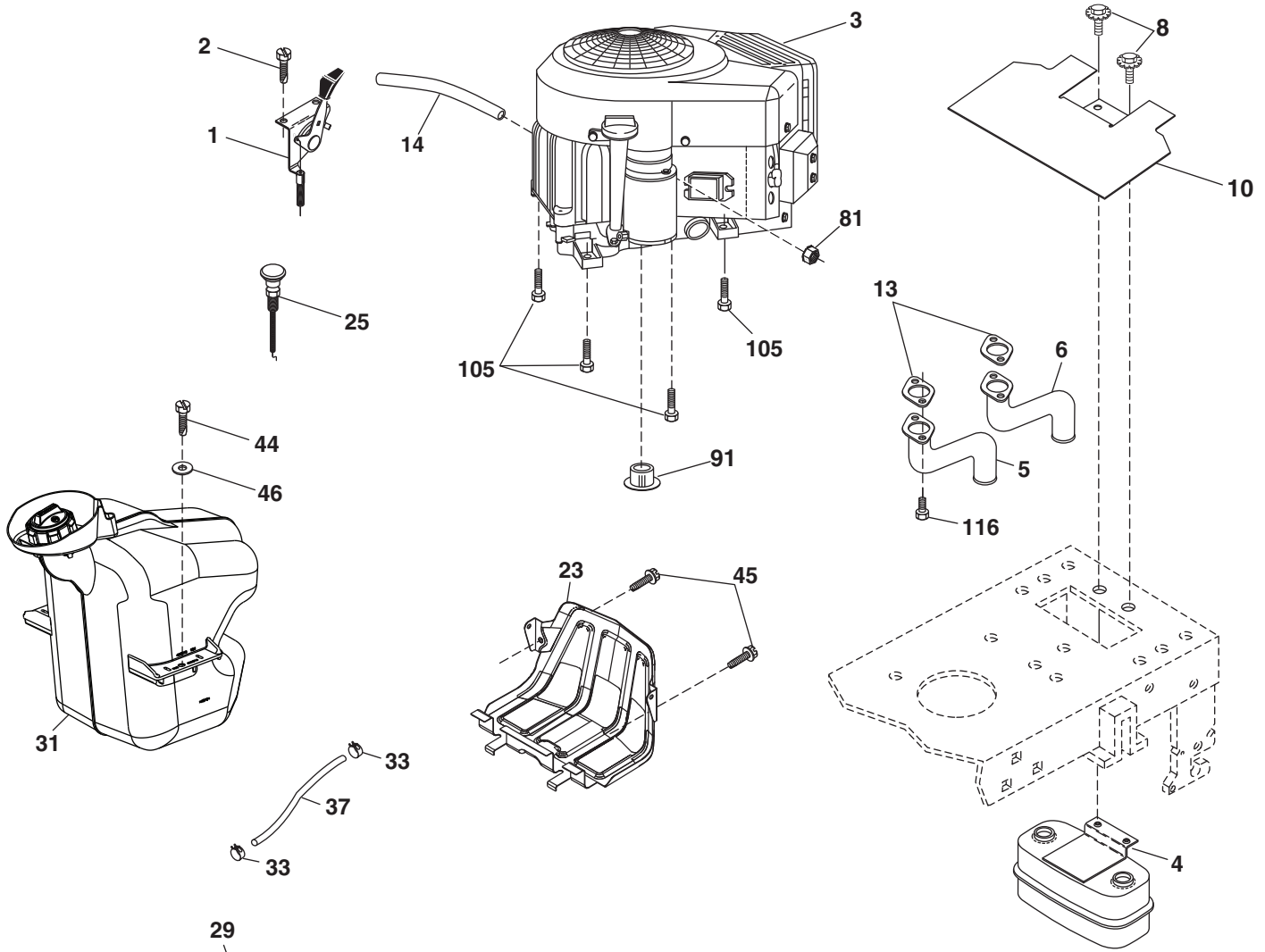
drive-CRD_HYDROGR_fender_37

**TRACTOR - - MODEL NO. CTH 182T (96061031000), PRODUCT NO. 960 61 03-10
DRIVE 40**

KEY NO.	PART NO.	DESCRIPTION	KEY NO.	PART NO.	DESCRIPTION
1	---	Transaxle Hydro Gear 321-0510 (170061)(Order parts from transaxle manufacturer)	83	819 17 12-16	Washer 17/32 x 3/4 x 16 Ga.
8	532 19 27-06	Rod, Shift Fender Adjust Lt	84	532 17 00-07	Link, Transaxle
9	532 19 81-43	Clutch Elect	95	532 17 00-15	Control Asm Bypass Hydro Spring, Retainer 1"
10	876 02 04-16	Pin, Cotter 1/8 x 1	96	532 12 47-88	Washer 9/32 x 3/4 x 10 Ga.
14	810 04 04-00	Washer, Lock Hvy Helical	112	819 09 12-10	Nut Lock Flg. 3/8-16 unc
15	874 49 05-44	Bolt Hex FGHD 5/16-18 x Gr. 5	120	873 90 06-00	Bushing, Bellcrank Grnd Dr
16	873 80 05-00	Nut Lock Hex w/lns 5/16-18 unc	150	532 16 58-50	Washer 13/32 x 2 x 10 Ga.
17	532 12 61-97	Washer 1-1/2 OD x 15/32 ID x .250	151	819 13 32-10	Washer Srrted 5/16 ID x 1.125
19	873 80 06-00	Nut Lock Hex w/lns 3/8-16 unc	156	532 16 60-02	Bracket Shift Mount
20	532 17 39-37	Bolt Hex 7/16-20 x 4 x Gr. 5-1.5	158	532 43 74-58	Hub Shift
21	532 12 12-74	Knob Duckhead 1/4-13 unc Blk	159	532 18 39-00	Bolt Rdhd Sqnk 1/4-20 x 3/4 Gr. 5
22	532 17 56-07	Brake Rod	161	872 14 04-06	Nut Crownlock 1/4-20 unc
24	873 35 06-00	Nut Hex Jam 3/8-16 unc	162	873 68 04-00	Bolt Hex Fin 1/4-20 unc x 1 Gr. 5
25	532 19 20-36	Spring, Rod, Brake	163	874 78 04-16	Bracket Pivot Lever
27	876 02 04-12	Pin, Cotter 1/8 x 3/4	165	532 43 82-50	Screw 5/16-18 x 5/8
28	532 17 57-65	Rod, Parking Brake	166	817 49 05-10	Bracket Support Shift CRD
29	532 12 42-36	Cap, Parking Brake	167	532 16 55-88	Bolt Shoulder 5/16-18 x .561
30	532 16 95-92	Bracket, Mfg. Transaxle	168	532 16 54-92	Plate Fastening Lt
34	532 17 55-78	Shaft, Asm Pedal Foot CRD	169	532 16 55-80	Screw Thdrol 3/8-16 x 1/2 Ty-Tt
35	532 12 01-83	Bearing, Nylon	171	817 49 06-08	Shaft Asm Shifter Frt CRD
36	819 21 16-16	Washer 21/32 x 1 x 16 Ga.	172	532 17 02-71	Keeper Flat Idler 3.06" CRD
37	532 12 49-63	Pin, Roll 3/16 x 1"	177	532 16 59-32	Bracket Idler Ground Drive CRD
38	532 16 59-36	Pulley Flat Composite 3.06"	181	532 18 02-11	Keeper Belt 2.5" Od V-Idler CRD
39	874 76 06-44	Bolt Fin Hex 3/8-16 unc x 2-3/4	182	532 18 26-82	Pulley V-Idler
40	532 12 49-65	Spacer, Split 395 x 59 Bzp	183	532 19 95-34	Link Shift
42	819 13 13-12	Washer 13/32 x 13/16 x 12 Ga.	185	532 17 00-08	Hub Tapered Round CRD
43	819 11 10-12	Washer 11/32 x 5/8 x 12 Ga.	186	532 16 98-50	Screw Thdrol 5/16-18 x 1.25
47	532 12 77-83	Pulley, Idler, V Groove Plastic	187	817 58 05-20	Nyliner Snap-In 5/8
48	532 15 44-07	Bellcrank Clutch Grnd Drv	197	532 16 96-13	Bolt Shoulder 5/16-18 unc
49	532 12 32-05	Retainer, Belt Style Spring	199	532 16 96-12	Bolt RDHD SQNK 5/16-18 x 1
50	872 11 06-12	Bolt Carr. Sh. 3/8-16 x 1-1/2 Gr. 5	200	872 14 05-08	Washer Nylon Rear
51	873 68 06-00	Nut, Crownlock 3/8-16 unc	207	532 16 98-45	Shaft Asm. Brake
52	873 68 05-00	Nut, Crownlock 5/16-18	214	532 17 56-09	Rod Brake Hydro
53	532 19 96-52	Link, Clutch 7.66	215	532 17 56-52	Bracket Anti-Rotation
55	532 10 57-09	Spring, Return, Clutch	243	532 19 07-36	Screw 3/8-16 x 1
56	817 06 06-20	Screw 3/8-16 x 1-1/4	254	817 00 06-16	Brace Shaft Brake Mtg.
57	532 17 01-40	V-Belt Kev 112" 0650 CRD	255	532 17 56-08	Clip Retainer
62	532 12 48-72	Cover, Pedal	258	532 17 80-62	Bracket Pulley
63	532 18 03-97	Pulley Engine CVX	259	532 18 02-12	Pulley Idler Flat
65	810 04 07-00	Washer	261	532 13 14-94	Bolt Carr. 3/8-16 x 2-3/4 Gr. 5
66	532 15 47-78	Keeper, Belt Engine F-Proof	262	872 11 06-22	Screw 3/8-16 x 3/4
71	532 16 91-83	Strap, Torque, LH	263	817 00 06-12	Bracket Idler Chassis
73	532 16 91-82	Strap, Torque, RH	264	532 43 11-72	Shield Idler Mower
74	532 13 70-57	Spacer, Split	266	532 18 20-61	Washer 13/32 x 7/8 x 16 Ga.
75	532 12 17-49	Washer 25/32 x 1-1/4 x 16 Ga.	271	819 13 14-16	Bolt RD HD SQ 3/8-16 unc x 2
76	812 00 00-01	Ring, E	279	872 11 06-16	Spacer Noram CRD
77	532 12 35-83	Key, Square	292	532 40 02-71	Pulley Idler Composite
78	532 12 17-48	Washer 25/32 x 1-5/8 x 16 Ga.	295	532 17 91-14	Screw Hxwsh Thdr 3/8-16 x 5/8
81	532 17 00-06	Asm, Shaft, Cross Rear	297	817 49 06-10	
82	532 16 57-11	Spring, Torsion			

NOTE: All component dimensions given in U.S. inches
1 inch = 25.4 mm

**TRACTOR - - MODEL NO. CTH 182T (96061031000), PRODUCT NO. 960 61 03-10
ENGINE 24**



**OPTIONAL EQUIPMENT
Spark Arrester**

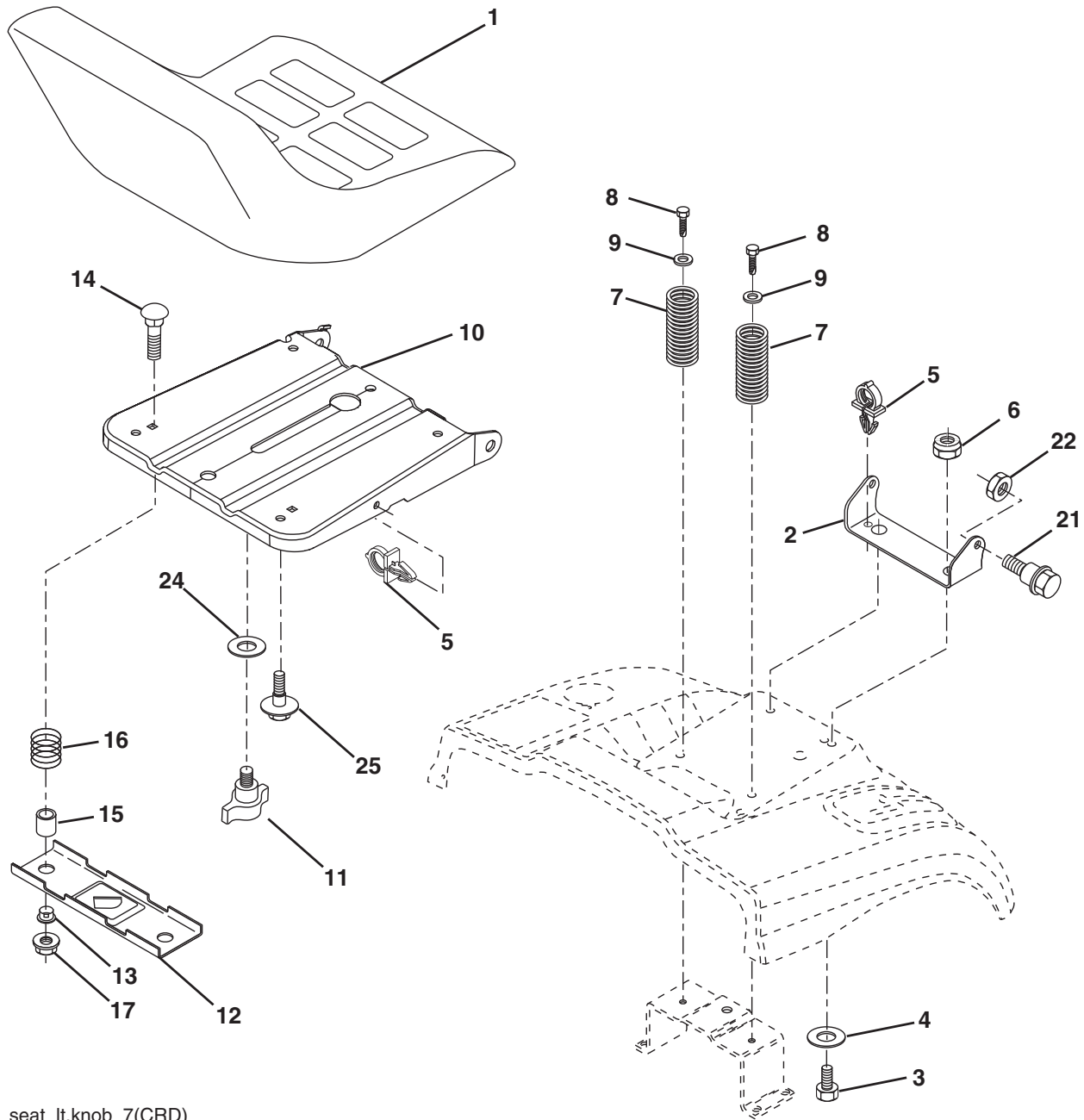
Engine-CRD_KAWA_5

KEY NO.	PART NO.	DESCRIPTION
1	532 17 83-85	Control Throt/Ch Flag
2	532 41 63-58	Screw #10 x 0.750
3	-----	Engine KAWA FS541V-AS51 (437950)(Order parts from engine manufacturer)
4	532 14 97-23	Muffler
5	532 42 47-65	Pipe Exhaust LH
6	532 42 47-66	Pipe Exhaust RH
8	532 17 18-77	Bolt 5/16-18 x 3/4
10	532 43 40-17	Shield Heat Muffler
13	532 17 81-51	Gasket
14	532 14 84-56	Tube Drain Oil Easy
23	532 43 60-86	Shield Browning/Debris Guard
25	532 19 15-96	Control Choke

KEY NO.	PART NO.	DESCRIPTION
29	532 13 71-80	Arrestor Spark
31	532 43 75-92	Tank Fuel
33	532 12 34-87	Clamp Hose Blk
37	532 13 70-40	Line Fuel 20"
44	817 67 04-12	Screw Hexwsh Thdrol 1/4-20 x 3/4
45	817 00 06-12	Screw Hexwsh Thdr 3/8-16 x 3/4
46	819 09 14-16	Washer 9/32 x 7/8 x 16 Ga.
81	873 51 04-00	Nut Keps 1/4-20 unc
91	532 18 74-95	Bushing 1.375 OD
105	817 12 06-16	Screw 3/8-16 x 1
116	532 18 43-62	Nut Hex Flange Toplock M8-1.25

NOTE: All component dimensions given in U.S. inches.
1 inch = 25.4 mm.

**TRACTOR - - MODEL NO. CTH 182T (96061031000), PRODUCT NO. 960 61 03-10
SEAT ASSEMBLY 42**

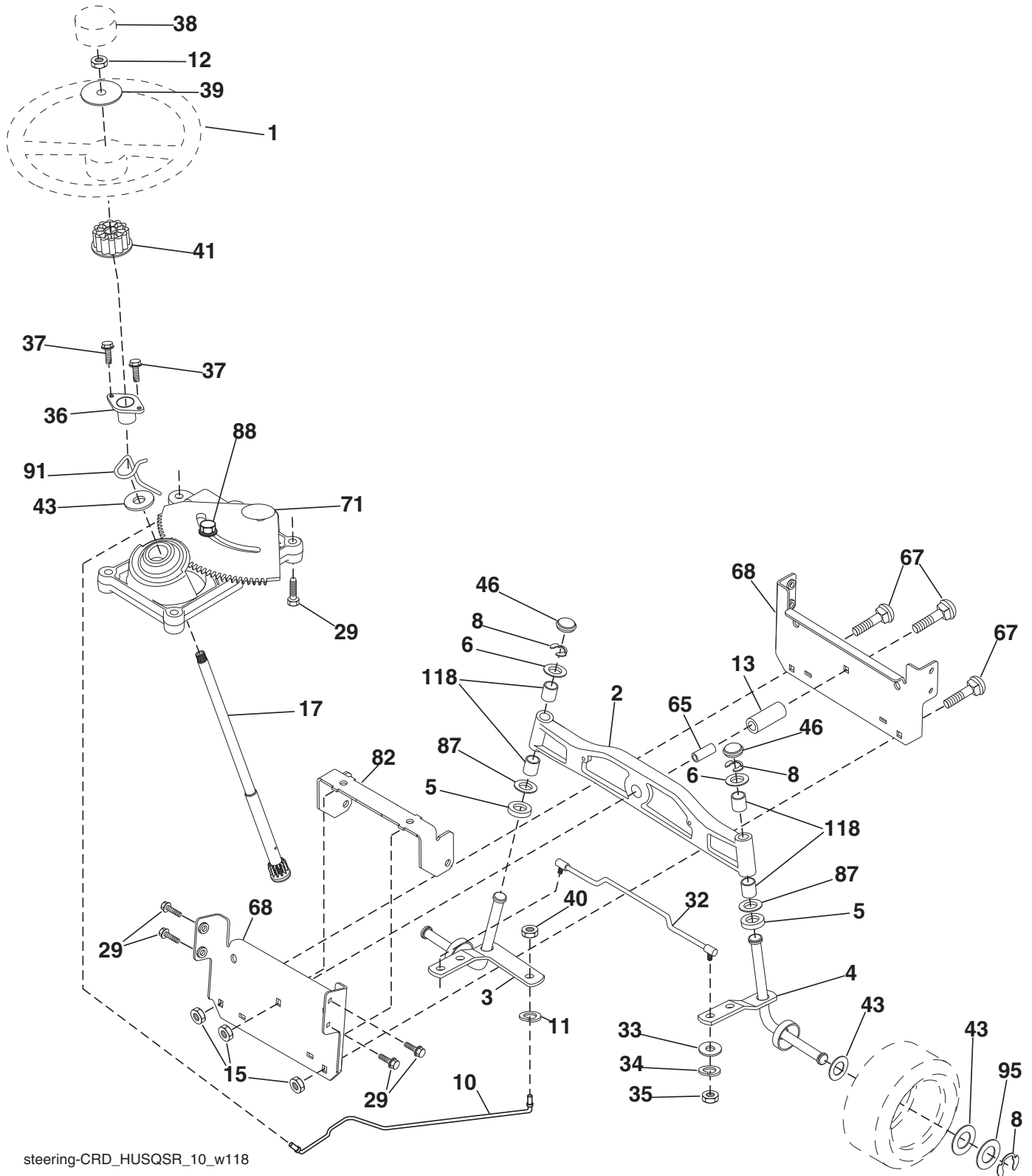


seat_ft.knob_7(CRD)

KEY NO.	PART NO.	DESCRIPTION	KEY NO.	PART NO.	DESCRIPTION
1	532 18 87-15	Seat	13	532 12 12-48	Bushing Snap Blk Nyl 50 Id
2	532 14 05-51	Bracket Pnt Pivot Seat (Blk)	14	872 05 04-12	Bolt Rdhd Sht Nk 1/4-20 x 1-1/2
3	871 11 06-16	Bolt Fin Hex 3/8-16 x 1	15	532 12 12-49	Spacer Split
4	819 13 16-10	Washer Flat 13/32 x 1 x 10 Ga.	16	532 12 37-40	Spring Cprsn
5	532 14 50-06	Clip Push In Hinged	17	532 12 39-76	Nut Lock 1/4 Lge Flg Gr. 5 Zinc
6	873 80 06-00	Nut Lock Hex w/Ins 3/8-16	21	532 17 18-52	Bolt Shoulder 5/16-18 unc-2A
7	532 12 41-81	Spring Seat Cprsn 2 250 Blk Zi	22	873 80 05-00	Nut Hex Lock w/Ins 5/16-18
8	817 00 06-16	Screw 3/8-16 x 1.5	24	819 17 19-12	Washer 17/32 x 1-3/16 x 12 Ga.
9	819 13 16-14	Washer 13/32 x 1 x 14 Ga.	25	532 12 70-18	Bolt Shoulder 5/16-18 x 62
10	532 19 55-30	Pan Pnt Seat			
11	532 16 63-69	Knob Seat Adj. Wingnut			
12	532 17 46-48	Bracket Pnt Mounting Switch			

NOTE: All component dimensions given in U.S. inches.
1 inch = 25.4 mm

TRACTOR - - MODEL NO. CTH 182T (96061031000), PRODUCT NO. 960 61 03-10
STEERING ASSEMBLY **41**



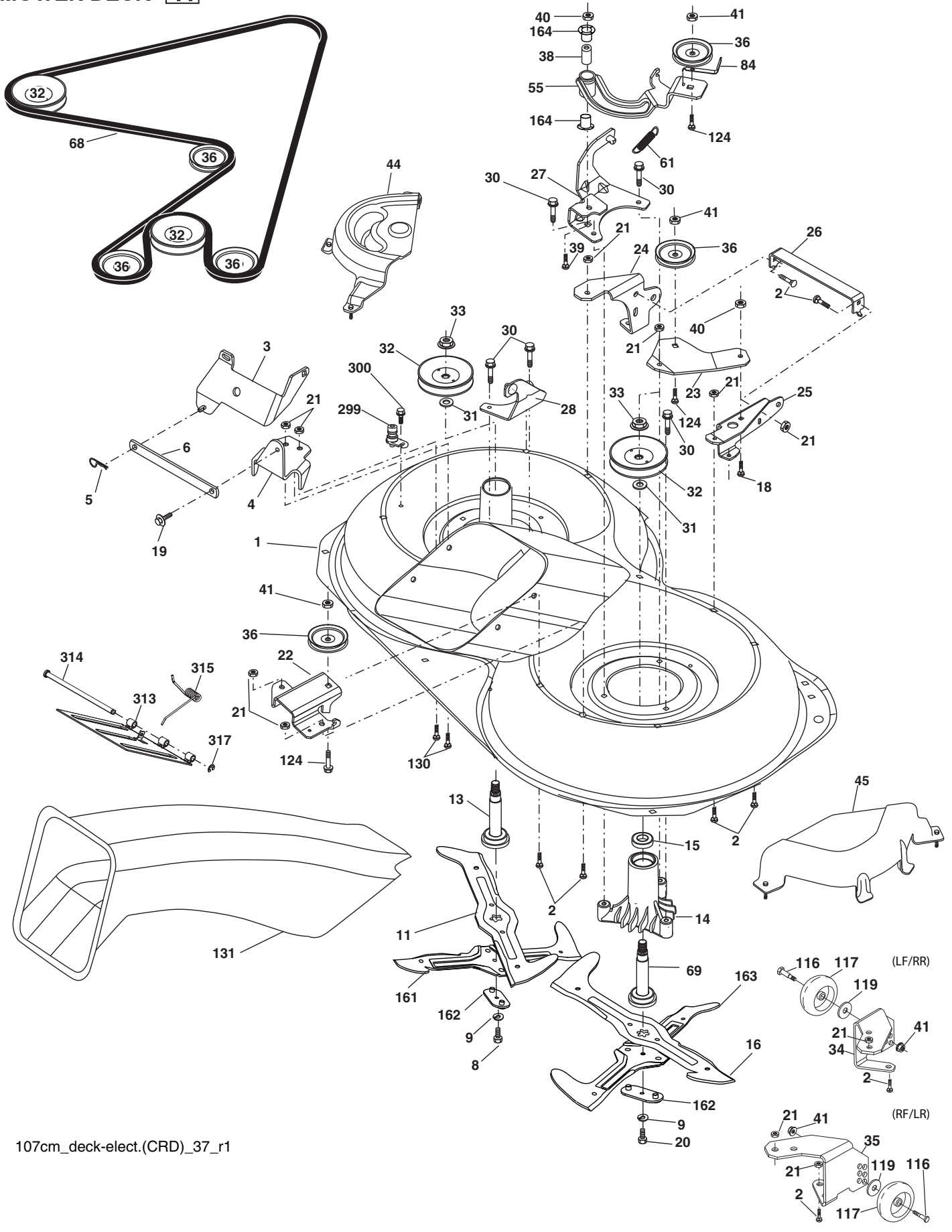
steering-CRD_HUSQSR_10_w118

**TRACTOR - - MODEL NO. CTH 182T (96061031000), PRODUCT NO. 960 61 03-10
STEERING ASSEMBLY 41**

KEY NO.	PART NO.	DESCRIPTION
1	532 41 64-80	Steering Wheel Husq SR
2	532 19 35-42	Axle Assembly
3	532 16 98-40	Spindle Assembly, LH
4	532 16 98-39	Spindle Assembly, RH
5	532 12 49-31	Bearing, Race, Thrust, Hardened
6	532 12 17-48	Washer 25/32 x 1-5/8 x 16 Ga.
8	812 00 00-29	Ring, Clip
10	532 17 51-21	Draglink
12	873 94 08-00	Nut Hex Jam Toplock 1/2-20
11	810 04 06-00	Washer, Lock
13	532 13 65-18	Spacer Axle
15	873 90 06-00	Nut Flange Lock 3/8-16 unc
17	532 17 78-83	Shaft Assembly, Steering
29	817 00 06-12	Screw 3/8-16 x 3/4
32	532 17 18-88	Rod, Tie
33	819 11 12-16	Washer 11/32 x 3/4 x 16 Ga.
34	810 04 05-00	Washer Lock Hvy Hlcl Spr 5/16
35	873 54 05-00	Crownlock Nut 5/16-24 unf
36	532 15 51-05	Bushing, Steering
37	532 15 29-27	Screw TT #10-32 x 5 x 3/8 Flange
38	532 41 59-87	Cap Wheel Steering Husq SR
39	819 18 38-12	Washer
40	873 54 06-00	Nut Crownlock 3/8-24
41	532 18 67-37	Adaptor, Steering Wheel
43	532 12 17-49	Washer 25/32 x 1-1/4 x 16 Ga.
46	532 12 12-32	Cap, Spindle
65	532 41 47-36	Spacer Brace Axle
67	872 11 06-18	Bolt Rdhd Sq 3/8-16 x 2-1/4
68	532 16 98-27	Brace Axle
71	532 17 51-46	Steering Asm.
82	532 19 99-78	Bracket Susp. Chassis Front
87	532 17 39-66	Washer Flat .781 x 1-1/2 x .14
88	532 17 51-18	Bolt Shoulder 7/16-20 unc
91	532 17 55-53	Clip Steering
95	532 18 89-67	Washer
118	532 40 60-13	Bushing

NOTE: All component dimensions given in U.S. inches.
1 inch = 25.4 mm.

TRACTOR - - MODEL NO. CTH 182T (96061031000), PRODUCT NO. 960 61 03-10
 MOWER DECK **44**



107cm_deck-elect.(CRD)_37_r1

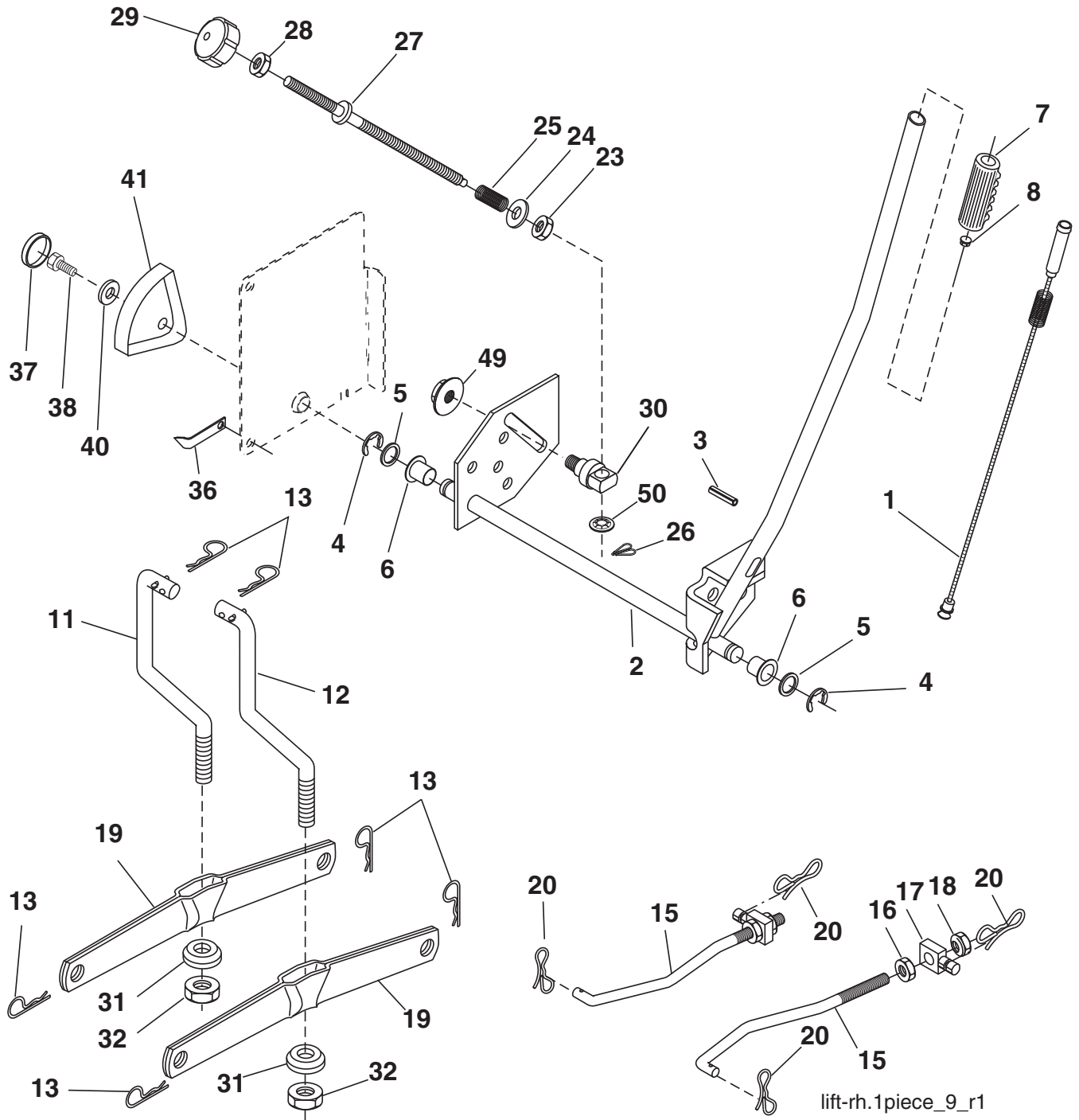
G WHEELS_(CRD)

**TRACTOR - - MODEL NO. CTH 182T (96061031000), PRODUCT NO. 960 61 03-10
MOWER DECK 44**

KEY NO.	PART NO.	DESCRIPTION	KEY NO.	PART NO.	DESCRIPTION
1	532 17 57-90	Housing Asm. Mower	45	532 43 27-72	Cover Mandrel RH
2	872 14 05-06	Bolt Rdhd Sqnk 5/16-18 unc x 3/4	55	532 16 98-49	Arm Idler
3	532 43 18-64	Bracket Asm. S-Bar Chass	61	532 19 94-87	Spring Tension Belt
4	532 16 91-67	Bracket Bar Sway Deck	68	532 40 20-09	Belt, Drive
5	532 12 46-70	Retainer Spring	69	532 16 54-82	Shaft Asm w/Lwr Brg RH Thd CRD
6	532 16 55-57	Bar Sway	84	532 15 60-85	Keeper Belt Idler
8	532 18 17-12	Bolt 3/8-24 x 1.25 Gr. 8 Patched	116	532 19 34-06	Bolt Shoulder
9	810 03 06-00	Washer Lock Hvy 3/8 Unplated	117	532 17 48-73	Wheel Gauge
11	532 18 05-83	Blade 3-1 LH	119	819 13 20-12	Washer 3/8 x 7/8 x 14 Ga.
13	532 13 76-45	Shaft Asm. w/Lower Bearing	124	872 11 06-12	Bolt Carr Sh 3/8-16 x 1-1/2 Gr. 5
14	532 12 87-74	Housing Mandrel Vented (Machd)	130	872 11 05-06	Bolt Rdhdsqnk 5/16-18 unc x 3/4
15	532 11 04-85	Bearing Ball Mandrel	131	532 43 81-63	Chute Bagger CRD 92cm
16	532 18 05-84	Blade 3-1 RH	161	532 18 04-24	Blade Cross LH 107
18	872 11 06-06	Bolt Rdhd Sqnk 3/8-16 x 3/4 Gr. 5	162	532 18 08-78	Adapter Weldment Blade 107
19	532 13 28-27	Bolt Shoulder 5/16-18 Thd Form	163	532 18 04-25	Blade Cross RH 107
20	532 18 17-13	Bolt 3/8-24 x 1.25 Gr. 8 Ptch Lhthd	164	532 12 49-37	Bearing
21	873 68 05-00	Nut Crown Lock 5/16-18	299	532 41 55-98	Port Washout
22	532 16 91-65	Bracket Idler Sprt RR	300	532 15 29-27	Screw
23	532 16 91-66	Bracket Idler Sprt RF	313	532 43 81-97	Door
24	532 41 34-36	Bracket Suspension LF	314	532 43 58-61	Pin
25	532 40 01-05	Bracket Suspension RF	315	532 43 99-28	Spring
26	532 40 01-10	Brace Susp Frt CRD	317	532 43 79-88	E-Ring
27	532 16 91-72	Bracket Asm. Susp RR	--	532 18 18-57	Mandrel Assembly (Includes housing (key #14), shaft assembly (key #69), and bearing (key #15) only - pulley/nut/washer and blade bolt/washers not included)
28	532 16 91-68	Bracket Asm. Susp LR	--	532 18 18-58	Mandrel Asm CRD LH Threads VC
30	532 17 39-84	Screw Thd Rolling Dod. PT Hex	--	532 43 92-57	Replacement Mower Complete
31	532 18 76-90	Washer Spacer Mower Vented			
32	532 19 81-45	Mandrel Pulleys			
33	532 40 02-34	Nut Flg Top Lock			
34	532 40 01-03	Bracket Gauge Wheel LF/RR			
35	532 40 01-04	Bracket Gauge Wheel RF/LR			
36	532 14 67-63	Pulley Idler V-Groove Dim 4.25			
38	532 16 98-51	Spacer Hub Arm Idler			
39	872 11 06-22	Bolt RH Hd 3/8-16 unc x 2-3/4 Gr. 5			
40	873 68 06-00	Nut Crownlock 3/8-16 unc			
41	873 90 06-00	Nut Flangelock 3/8-16 unc			
44	532 43 27-73	Cover Mandrel LH			

NOTE: All component dimensions given in U.S. inches
1 inch = 25.4 mm

TRACTOR - - MODEL NO. CTH 182T (96061031000), PRODUCT NO. 960 61 03-10
 MOWER LIFT **45**

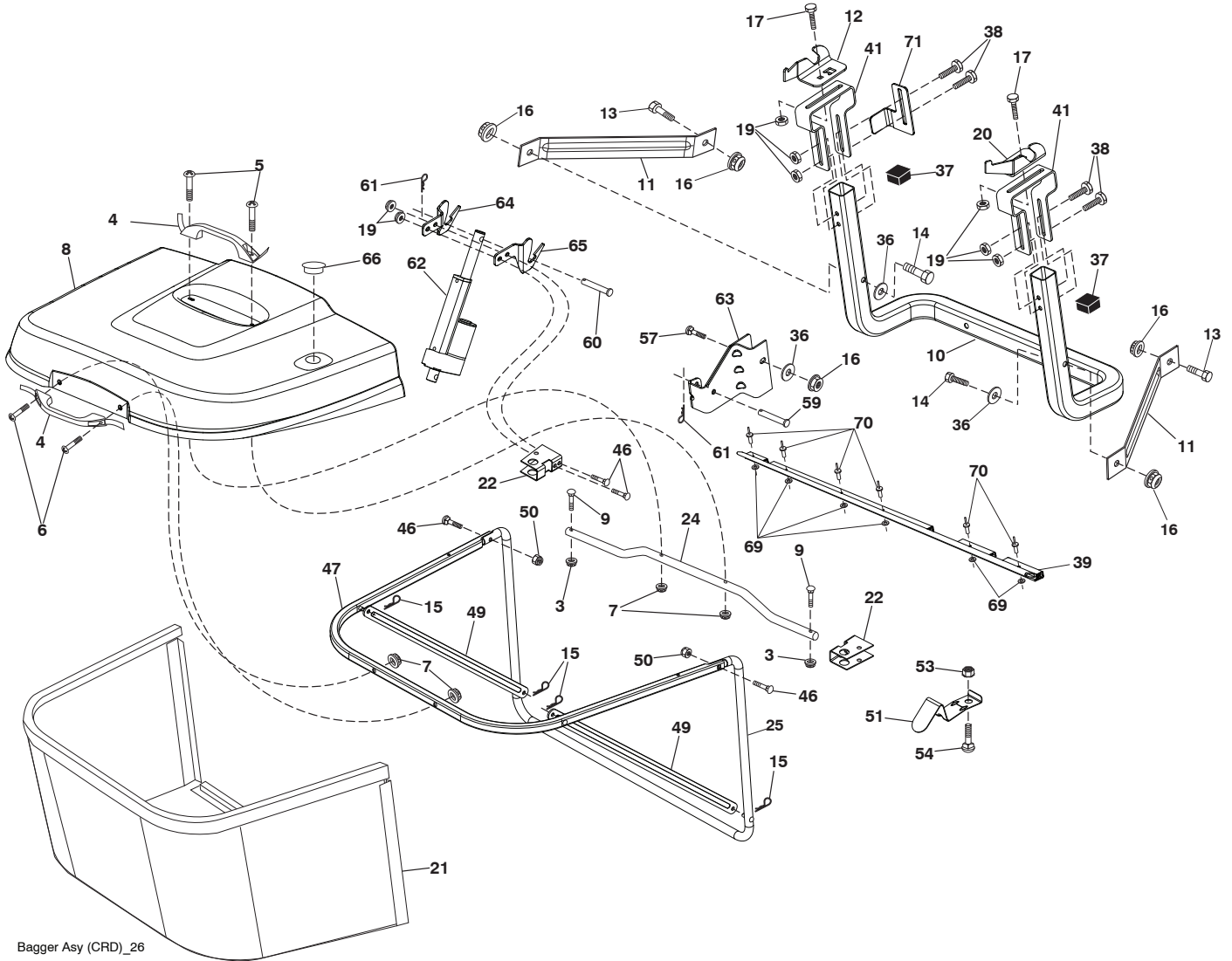


**TRACTOR - - MODEL NO. CTH 182T (96061031000), PRODUCT NO. 960 61 03-10
MOWER LIFT 45**

KEY NO.	PART NO.	DESCRIPTION
1	532 40 50-07	Plunger Asm. Lift Lever
2	532 19 80-70	Shaft Asm. Lift
3	532 18 88-22	Pin Groove
4	812 00 00-02	E Ring #5133-62
5	819 21 16-21	Washer 21/32 x 1 x 21 Ga.
6	532 12 01-83	Bearing Nylon
7	532 12 56-31	Grip Handle Fluted
8	532 12 23-65	Button Plunger Red
11	532 16 58-29	Link Asm Lift LH
12	532 16 58-31	Link Asm Lift RH
13	532 12 46-70	Retainer Spring
15	532 17 32-88	Link Front
16	873 35 08-00	Nut Jam Hex 1/2-13 unc
17	532 17 56-89	Trunnion Blk Zinc
18	873 80 08-00	Nut Lock w/Wsh 1/2-13 unc
19	532 13 98-68	Arm Suspension Mower
20	532 19 42-09	Pin Cotter 7/16 Bowtie Lock
23	532 11 08-07	Nut Special
24	819 13 10-16	Washer 13/32 x 5/8 x 16 Ga.
25	532 16 40-24	Spring
26	532 16 94-84	Retainer Clip
27	532 16 45-43	Rod Adj Lift
28	873 35 06-00	Nut Hex Jam 3/8-16 unc
29	532 13 80-57	Knob Inf 3/8-16 unc Blk w/Sym
30	532 15 02-33	Trunnion Infin Height
31	532 16 98-65	Bearing, Pvt. Lift.
32	873 54 06-00	Nut Crownlock 3/8-24
36	532 15 50-97	Pointer Height Indicator
37	532 12 39-35	Plug Hole Blk 1.485/1.515 Dia
38	817 06 05-16	Screw 5/16-18 x 1
40	819 11 24-10	Washer 11/32 x 1-1/2 x 10 Ga.
41	532 12 39-34	Scale Ind Height Blk
49	532 40 91-49	Nut hex Flange Lock
50	532 11 04-52	Nut Push Phos & Oil

NOTE: All component dimensions given in U.S. inches
1 inch = 25.4 mm

TRACTOR - - MODEL NO. CTH 182T (96061031000), PRODUCT NO. 960 61 03-10
BAGGER **46**



Bagger Asy (CRD)_26

**TRACTOR - - MODEL NO. CTH 182T (96061031000), PRODUCT NO. 960 61 03-10
BAGGER 46**

KEY NO.	PART NO.	DESCRIPTION	KEY NO.	PART NO.	DESCRIPTION
3	532 12 39-76	Nut Lock 1/4 Lge Flg Gr. 5 Zinc	39	532 41 62-57	Seal
4	532 16 99-16	Handle Bagger w/Lvrs Blk CRD	41	532 43 27-55	Bracket Pnt Adj Pvt Bagger CRD
5	874 98 10-24	Screw Pan Head #10-24 x 1.50 Blk	46	872 11 05-10	Bolt 5/16-18 x 1-1/4
6	874 98 10-32	Screw Pan Hd	47	532 19 37-04	Tube Upper Bagger
7	873 40 10-00	Nut Wiz Lock Hex Serr/Hd 10-24	49	532 19 33-05	Bar Spreader
8	532 43 95-19	Cover Bagger	50	873 80 05-00	Nut 5/16-18
9	872 14 04-18	Bolt Carriage 1/4-20 x 2.25d x Gr. 5	51	532 19 99-03	Latch Spring Bagger
10	532 18 12-82	Tube Support Bagger CRD	53	873 51 04-00	Nut 1/4-20 unc
11	532 16 57-19	Bracket Support Upper Bag	54	872 14 04-06	Bolt 1/4-20 x 3/4 Gr. 5
12	532 18 88-48	Bracket Pivot LH	57	872 14 06-22	Bolt Rdhd Sqnk
13	874 76 06-12	Bolt Fin Hex 3/8-16 unc x 3/4	59	532 43 04-22	Pin Clevis 0.375 x 2.375
14	874 52 06-36	Bolt Fin Hex 3/8-16 x 2-1/4 Gr. 5	60	532 43 91-42	Spring Pin 10MM x 2.375L
15	532 12 46-70	Retainer Spring	61	532 12 47-88	Retaining Pin
16	873 90 06-00	Nut Lock 3/8-16 unc	62	532 42 82-39	Actuator Elec
17	872 14 05-06	Bolt Rdhd Sht Sqnk 5/16 -18 unc x 3/4	63	532 42 82-38	Bracket Asm. Lower
19	873 90 05-00	Nut Lock Hex Flange 5/16-18	64	532 43 83-11	Bracket Mtg. Upper Left
20	532 18 88-47	Bracket Pivot RH	65	532 43 83-12	Bracket Mtg. Upper Right
21	532 40 61-80	Bag Asm CRD	66	532 43 04-24	Plug Bagger
22	532 42 82-36	Bracket Side Bagger	69	532 43 56-11	Washer .125
24	532 16 57-83	Tube Pivot Bagger CRD	70	532 43 56-03	Rivet Pop .125 x .750
25	532 19 37-05	Tube Front Bagger	71	532 43 83-13	Actuator Supt
36	819 13 20-12	Washer 13/32 x 1-1/4 x 12 Ga.			
37	532 17 54-01	Plug Support Bagger CRD			
38	872 01 05-20	Bolt 5/16-18 x 2-1/2			

NOTE: All component dimensions given in U.S. inches
1 inch = 25.4 mm

