



**REPAIR PARTS MANUAL**  
**MODEL NO. 13-92R (MBA13T92RA)**  
**Lawn Tractor**

---

**Mr. Bricolage**

# HOW TO USE THIS MANUAL

This manual is designed to provide the customer with a means to identify the parts on his/her tractor when ordering repair parts. The illustrations may or may not represent the actual assemblies; therefore, it is not recommended to use this manual as a guide to assemble or disassemble the tractor. Some hardware and parts are drawn larger in order to more readily identify them.

Each tractor has its own model number.

The model number for your tractor can be found on the fender under the seat.

When ordering parts, always give the following information:

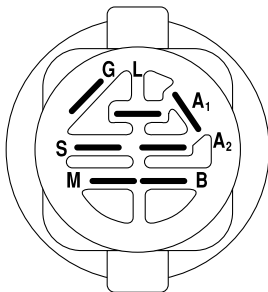
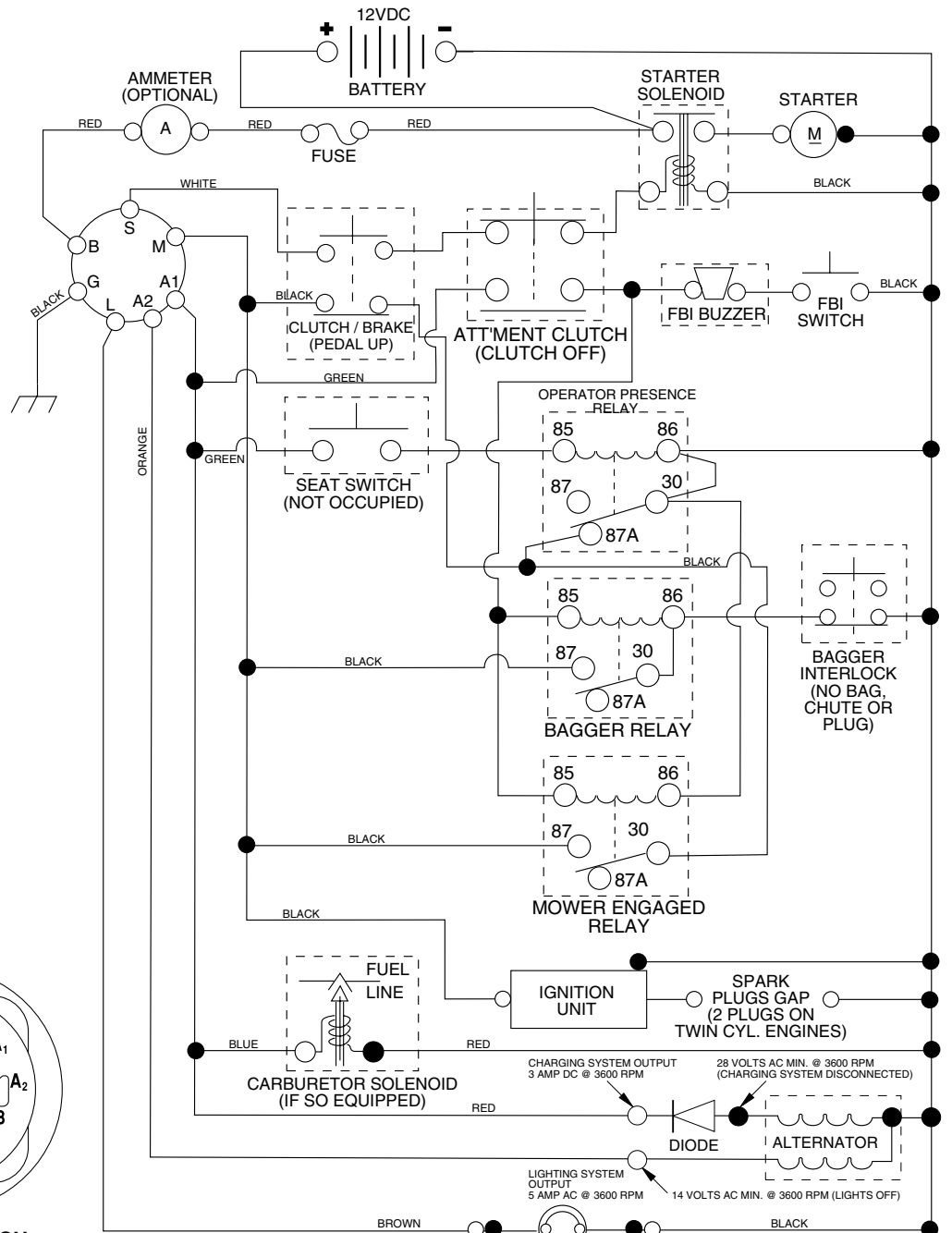
- Product - "Lawn Tractor"
- Model Number - "13-92R" (MBA13T92RA)
- Part Number
- Part Description

## TABLE OF CONTENTS

<b>SCHEMATIC</b> .....	<b>3</b>
<b>ELECTRICAL</b> .....	<b>4-5</b>
<b>CHASSIS AND ENCLOSURES</b> .....	<b>6-7</b>
<b>DRIVE</b> .....	<b>8-9</b>
<b>STEERING ASSEMBLY</b> .....	<b>10-11</b>
<b>SEAT ASSEMBLY</b> .....	<b>12</b>
<b>DECALS</b> .....	<b>13</b>
<b>ENGINE</b> .....	<b>14-15</b>
<b>LIFT</b> .....	<b>16</b>
<b>BAGGER</b> .....	<b>17</b>
<b>MOWER DECK</b> .....	<b>18-19</b>

# TRACTOR- -MODEL NO. 13-92R (MBA13T92RA)

## SCHEMATIC



**IGNITION SWITCH**

POSITION	CIRCUIT	"MAKE"
OFF	M+G+A1	NONE
RUN/LIGHT	B+A1	A2+L
RUN	B+A1	NONE
START	B + S + A1	NONE

**WIRING INSULATED CLIPS**  
**NOTE:** IF WIRING INSULATED CLIPS WERE REMOVED FOR SERVICING OF UNIT, THEY SHOULD BE REPLACED TO PROPERLY SECURE YOUR WIRING.

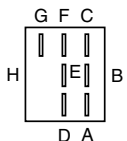
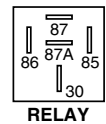


**PTO SWITCH**

POSITION	CIRCUIT
OFF	C + G, B + H
ON	C + F, B + E, A + D

**NOTE**

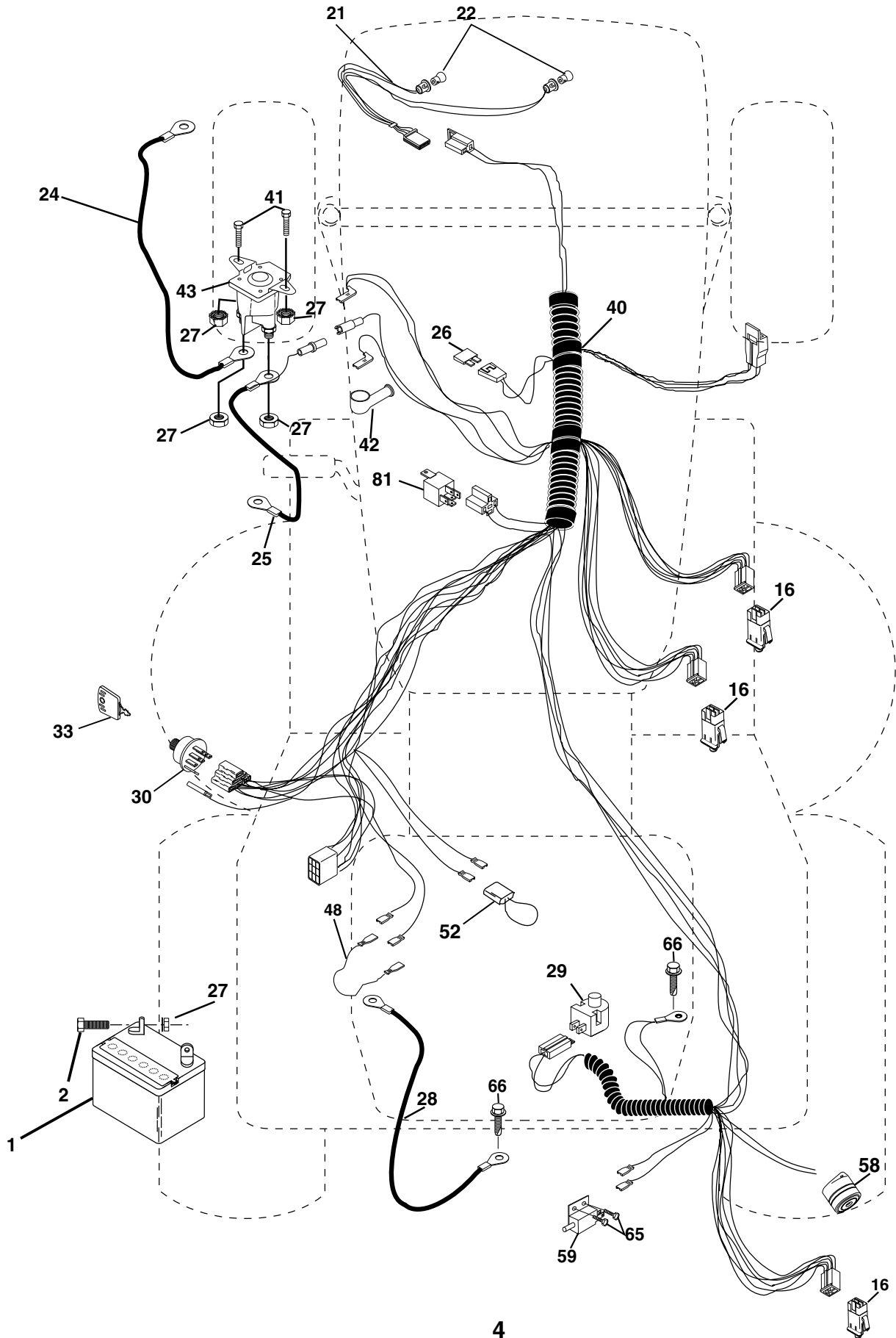
YOUR TRACTOR IS EQUIPPED WITH A SPECIAL ALTERNATOR SYSTEM. THE LIGHTS ARE NOT CONNECTED TO THE BATTERY, BUT HAVE THEIR OWN ELECTRICAL SOURCE. BECAUSE OF THIS, THE BRIGHTNESS OF THE LIGHTS WILL CHANGE WITH ENGINE SPEED. AT IDLE THE LIGHTS WILL DIM. AS THE ENGINE IS SPEEDED UP, THE LIGHTS WILL BECOME THEIR BRIGHTEST.



# REPAIR PARTS

## TRACTOR- -MODEL NO. 13-92R (MBA13T92RA)

### ELECTRICAL



# REPAIR PARTS

## TRACTOR- -MODEL NO. 13-92R (MBA13T92RA)

### ELECTRICAL

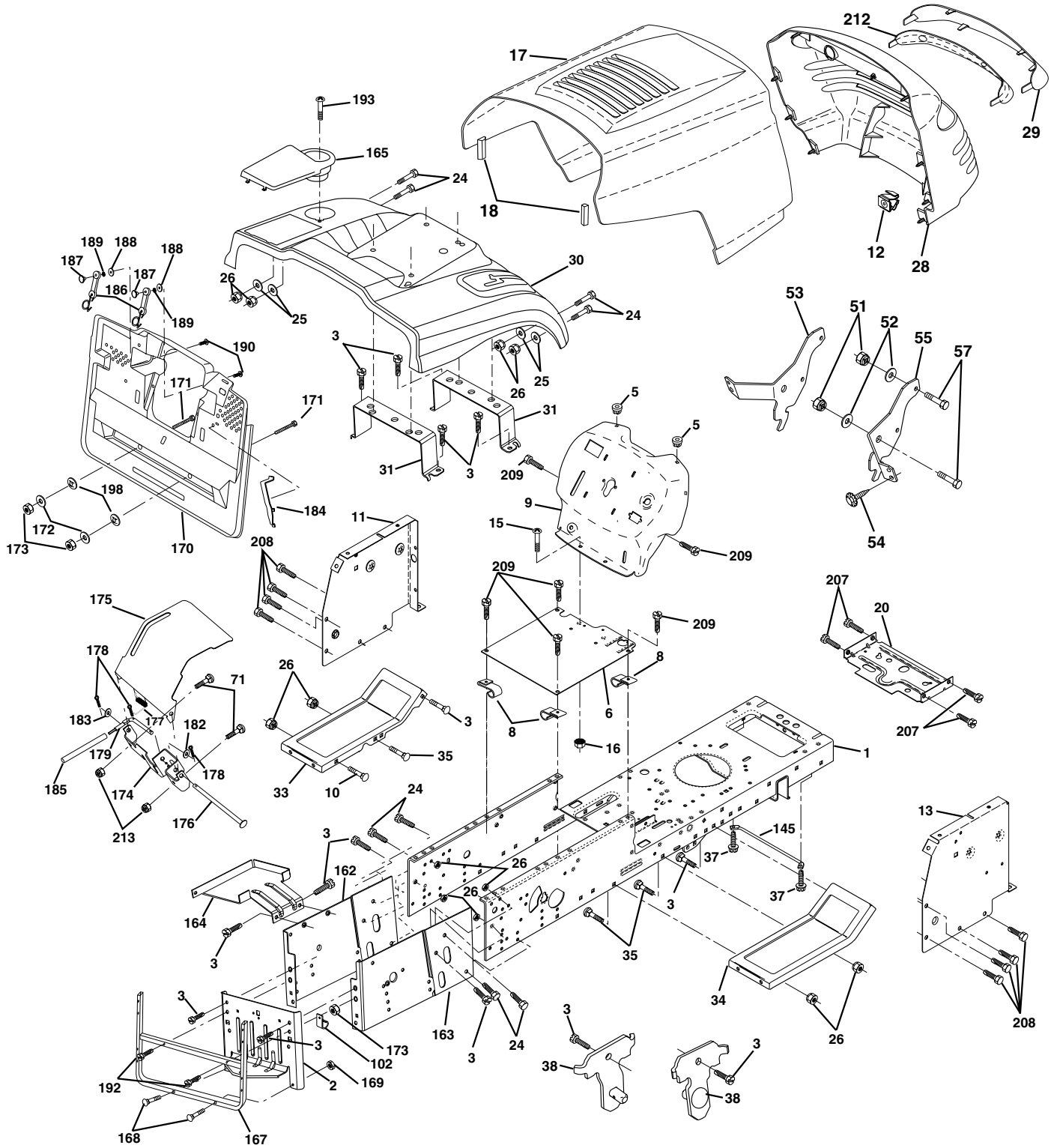
KEY NO.	PART NO.	DESCRIPTION
1	144925	Battery 12 Volt 25 AMP Wet
2	74760412	Bolt Hex Hd 1/4-20 Unc X 3/4
16	153664	Switch Interlock Push-In
21	166181	Harness Asm Light W/4152J
22	4152J	Bulb Light #1156
24	108423X	Cable Battery 6Ga 16" Red
25	165987	Cable Battery Crd 56" Red
26	175158	Fuse 20 Amp
27	73510400	Nut Keps Hex 1/4-20 Unc
28	127725X	Cable Ground 6Ga 18" Black
29	160784	Switch Plunger Normal Op Olive
30	175566	Switch Ignition
33	140401	Key Ign
40	170164	Harness Ign Crd
41	71110408	Bolt Flk Fin Hex 1/4-20 Unc X 1/2
42	131563	Cover Terminal Red
43	175141	Solenoid
48	140844	Adapter Ammeter Rectangular
52	141940	Protection Wire Loop
58	169419	Buzzer Crd
59	166299	Switch FBI CRD
65	17211008	Screw Slftp #10-16 x 1/2 Ty-Ab
66	17490608	Screw Thdrol 3/8-16 x 1/2 Ty-Tt
81	109748X	Relay Asm

**NOTE:** All component dimensions given in U.S. inches.  
1 inch = 25.4 mm.

# REPAIR PARTS

## TRACTOR- -MODEL NO. 13-92R (MBA13T92RA)

### CHASSIS AND ENCLOSURES



# REPAIR PARTS

## TRACTOR- -MODEL NO. 13-92R (MBA13T92RA)

### CHASSIS AND ENCLOSURES

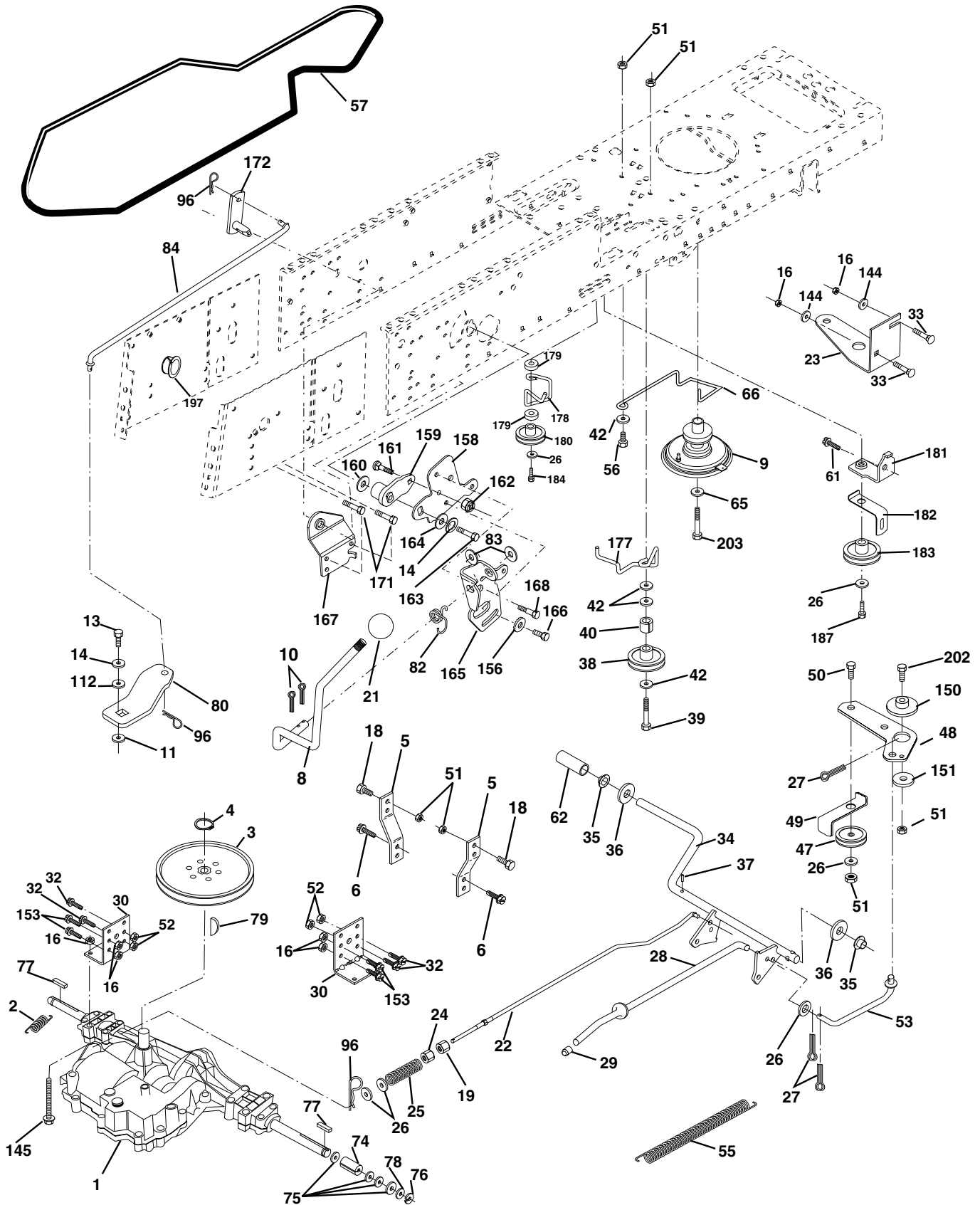
KEY NO.	PART NO.	DESCRIPTION	KEY NO.	PART NO.	DESCRIPTION
1	169831	Chassis	145	156524	Rod Pivot Chassis/Hood
2	165606	Drawbar	162	170256	Bracket Exten Chassis Lh CRD
3	17060612	Screw 3/8-16 x 3/4	163	175770	Bracket Exten Chassis Rh CRD
5	155272	Bumper Hood/Dash	164	165605	Support Battery CRD
6	155923	Saddle	165	165742X428	Cover Battery CRD Lt
8	126471X	Clip Insulator 13/32 Mtg. Hole	167	165779	Support Asm Backplate Wldmnt
9	168347X011	Dash	168	72050412	Bolt, RDHD SHT NK 1/4-20 x 1-1/2
10	72140608	Bolt, Carriage 3/8-16 x 3/4	169	123976X	Nut, Lock 1/4 LGE FLG Gr. 5 Zinc
11	155927	Panel, Dash, L.H.	170	175264	Backplate
12	145660	Clip Tinnerman Grille P/L	171	72140620	Bolt RDHD Sqnk 3/8-16 x 2-1/2
13	172107X010	Panel, Asm. Dash R.H.	172	19132016	Washer 13/32 x 1-1/4 x 16 Ga.
15	74180512	Screw, Machine, Truss Head 5/16-18 UNC x 3/4	173	73510600	Nut, Keps Hex 3/8-16 UNC
16	73510500	Nut	174	165939	Bracket Switch FBI CRD
17	159639X558	Hood Assembly	175	166212	Guard Door Rear CRD
18	126938X	Bumper Hood	176	128600	Pin Hinge Pivot
20	156437	Plate Mtg. Battery/Fuel Tank	177	132796	Spring Bagger Top LH Black
24	74780616	Bolt	178	76020312	Pin Cotter 3/32 x 3/4 Cad Zinc
25	19131312	Washer 13/32 x 13/16 x 12 Gauge	179	165942	Rod Pivot FBI CRD
26	73800600	Nut	182	138200	Washer .385 x .625 x 11 Ga.
28	157539	Grille PL	183	19131316	Washer 13/32 x 13/16 x 16 Ga.
29	150209X599	Lens, Grille	184	174662	Bracket Actuator Bagger CRD
30	165714X558	Fender	185	165940	Tube Lever Switch FBI CRD
31	165156	Bracket, Fender Support	186	160793	Latch Asm Multch Bagger
33	145244X558	Footrest, L.H.	187	2029J	Nut Weld .327/.304 #10-24
34	145243X558	Footrest, R.H.	188	19061216	Washer #10
35	72110606	Bolt	189	10071000	Washer Lock #10
37	17490508	Screw Thdrol 5/16-18 x 1/2 TYT	190	71081010	Screw Pan HD Phillip 10-24 x 5/8
38	169834	Bracket Asm Pivot Mower Rear	192	17060624	Screw 3/8-16 x 1-1/2
51	73800400	Nut Lock w/Insert 1/4-20 UNC	193	17070412	Screw Truss 1/4-20 x 3/4
52	19091416	Washer 9/32 x 7/8 x 16 Ga.	198	168937	Nut Push
53	144697	Bracket Grille Lh	207	17670508	Screw Thdrol 5/16-18 x 1/2
54	161464	Screw Hex Wsh hd 8-18 x 7/8	208	17670608	Screw Thdrol 3/8-16 x 1/2
55	144696	Bracket Grille Rh	209	17000612	Screw Hex Wsh Thdrol 3/8-16
57	74780412	Bolt, Fin Hex 1/4-20 UNC x .75	212	156494	Insert Lens Reflect
71	73680400	Nut Crownlock 1/4-20	213	72110406	Bolt Carr.
102	2751R	Clip Fuel Line	--	5479J	Plug, Button

**NOTE:** All component dimensions given in U.S. inches.  
1 inch = 25.4 mm.

# REPAIR PARTS

## TRACTOR- -MODEL NO. 13-92R (MBA13T92RA)

### DRIVE





# REPAIR PARTS

## TRACTOR- -MODEL NO. 13-92R (MBA13T92RA)

### DRIVE

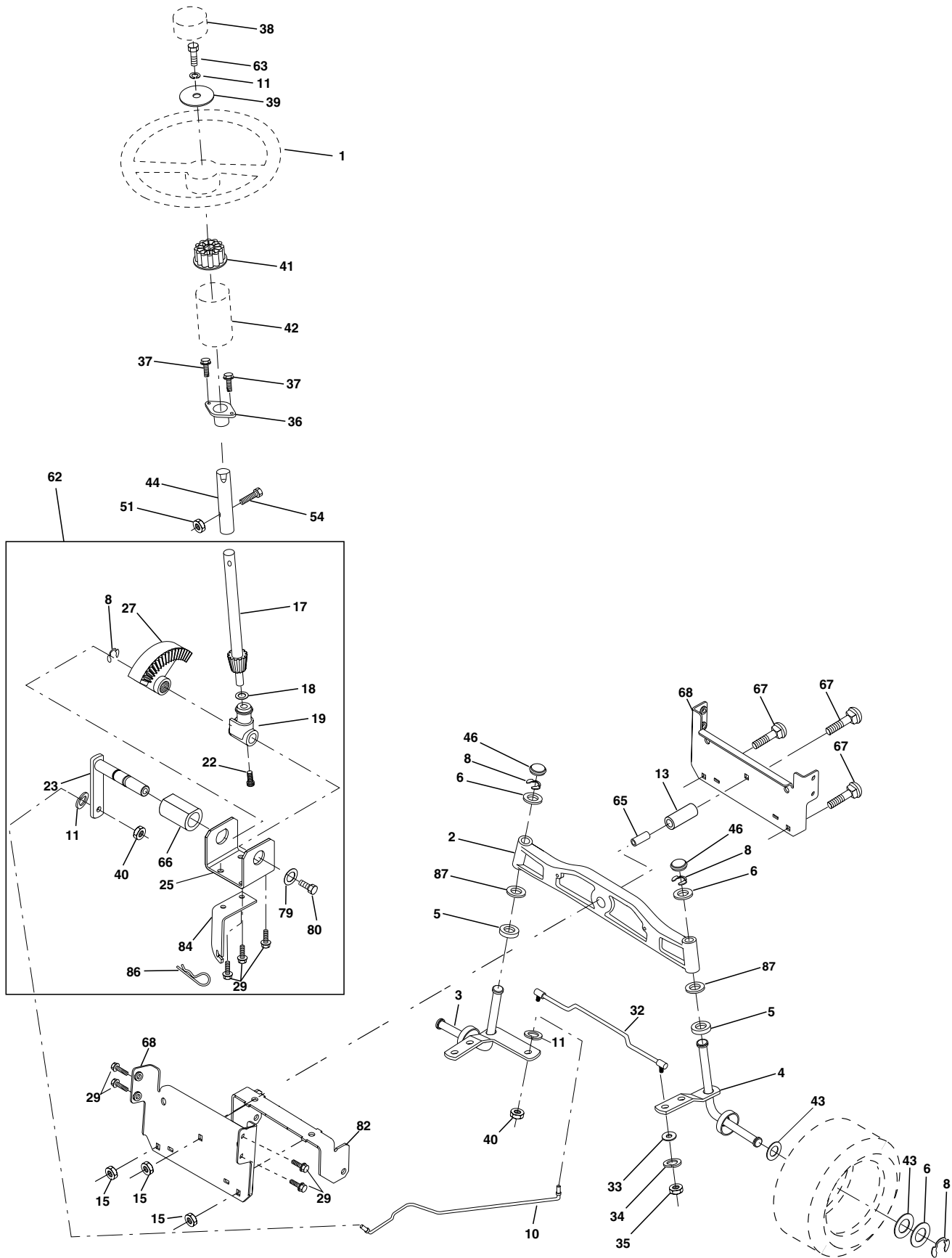
KEY NO.	PART NO.	DESCRIPTION	KEY NO.	PART NO.	DESCRIPTION
1	-----	Transaxle Peerless Model 206-546 (Order parts from transaxle manufacturer)	65	10040700	Washer
2	146682	Spring Return Brake	66	154778	Keeper Belt Engine
3	165999	Pulley Transaxle 7"	74	137057	Spacer Axle
4	12000028	Ring Retainer #5100-62	75	121749X	Washer 25/32 x 1 1/4 x 16 Ga
5	121520X	Strap Torque 30 Degrees	76	12000001	E-romg
6	17060512	Screw 5/16-18 x 3/4	77	123583X	Key Square 2.0 x .1845/ .1865
8	165619	Rod Shift Fender Adjust LT	78	121748X	Washer 25/32 x 1-5/8 x 16 Ga
9	170163	Clutch Asm Noram	79	2228M	Key Woodruff #9 3/16 x 3/4
10	76020416	Pin Cotter 1/8 x 1 Cad	80	145090	Arm Shift
11	105701X	Washer Plate Shf. .388 Sq Hole	82	123782X	Spring, Torsion
13	74550412	Bolt 1/4-28 Unf Gr 8 W/Patch	83	19171216	Washer 17/32 x 3/4 x 16 Ga
14	10040400	Washer Lock Hvy Helical 1/4	84	165621	Link Shift CRD PMST
16	73800500	Nut Lock Hex w/Ins 5/16-18 Unc Pl	96	4497H	Retainer Spring 1" Zinc/Cad
18	74780616	Bolt, Fin Hex 3/8-16 x 1 Gr 5	112	19091210	Washer 9/32 x 3/4 x 10 Ga
19	73800600	Nut Lock 3/8-16 Unc	144	19111016	Washer 11/32 x 5/8 x 16 Ga.
21	106933X	Knob Rd 1/2-13 Plstc. Thdrol Black	145	74490540	Bolt Hex Flghd 5/16-18 x Gr. 5
22	165811	Rod Brake PPMST CRD	150	165850	Bushing Bellcrank Grd Drive
23	170017	Bracket Clutch	151	19133210	Washer 13/32 x 2 x 10 Ga.
24	73350600	Nut Hex Jam 3/8-16 Unc	153	74760516	Bolt Hex Hd 5/16-18 Unc x 1
25	106888X	Spring Rod Brake 2.00 Zinc	156	166002	Washer Srrted 5/16 ID x 1 x .125
26	19131316	Washer 13/32 x 13/16 x 16 Ga.	158	165589	Bracket Shift Mount
27	76020412	Pin Cotter 1/8 x 3/4 Cad	159	165494	Hub Tapered Flange Shift Lt
28	145204	Rod Brake Parking LT/YT	160	19292016	Washer 29/32 x 1-1/4 x 16
29	71673	Cap Brake Parking	161	72140406	Bolt Rdhd Sqnk 1/4-20 x 3/4 x Gr 5
30	174973	Bracket Mtg Transaxle	162	73680400	Nut Crownlock 1/4-20 Unc
32	74760512	Bolt Hex Hd 5/16-18 Unc x 3/4	163	74780416	Bolt Hex Fin 1/4+20 Unc x 1 Gr 5
33	72140506	Bolt Rdhd Sqnk 5/16-18 Unc x 3/4	164	19091010	Washer 5/8 x .281 x 10 Ga.\
34	165496	Shaft Asm Pedal Foot CRD	165	165623	Bracket Pivot Lever
35	120183X	Bearing Nylon Blk 629 Id	166	166880	Screw 5/16 -18 x 5/8
36	19211616	Washer 21/32 x 1 x 16 Ga	167	165588	Bracket Support Shift CRD
37	1572H	Pin Roll 3/16 x 1"	168	165492	Bolt Shoulder 5/16-18 x .561
38	165936	Pulley Flat Composite 3.06	171	17490608	Screw Thdrol 3/8-16 x 1/2 TY-TT
39	74760644	Bolt Fin Hex 3/8-16 x 2 3/4	172	165635	Shaft Asm Shift Front CRD PMST
40	4470J	Spacer Split .395 x .59 Bzp	177	165932	Keeper Flat Idler 3.06
42	19131312	Washer 13/32 x 13/16 x 12 Ga	178	165933	Keeper Belt Idler 1.88"CRD
47	127783	Pulley Idler V Groove Plastic	179	120958X	Washer Sintered
48	154407	Bellcrank Clutch Grnd Drv Stl	180	165630	Pulley Flat Idler 1.88"CRD
49	123205X	Retainer Belt Style Spring	181	165797	Bracket Idler Ground Drive CRD
50	74760624	Bolt Hex Hd 3/8-16 Unc x 1-1/2	182	165634	Keeper Belt 2.5" Od V-Idler CRD
51	73680600	Nut Crownlock 3/8-16 Unc	183	165626	Pulley V-Idler 2.50" Od CRD
52	73680500	Nut Crownlock 5/16-18 Unc	184	17490644	Scr Hex Wsh Thdrol 3/8-16 x 2-3/4
53	105710X	Link Clutch	187	17490620	Screw Thdrol 3/8-16 x 1-1/2 TY-TT
55	105709X	Spring Return Clutch 6.75	197	169613	Nyliner Snap-In 5/8
56	74760620	Bolt Fin Hex 3/8-16 x 1-1/4	202	72110612	Bolt Carr Sh 3/8-16 x 1-1/2 Gr. 5
57	165631	V-Belt Kev 111" PMST CRD	203	71170780	Bolt Hex 7/16-20 x 5
61	17060612	Screw 3/8-16 x 3/4			
62	8883R	Cover Pedal Blk Round			

**NOTE:** All component dimensions given in U.S. inches.  
1 inch = 25.4 mm.

# REPAIR PARTS

## TRACTOR- -MODEL NO. 13-92R (MBA13T92RA)

### STEERING ASSEMBLY



# REPAIR PARTS

## TRACTOR- -MODEL NO. 13-92R (MBA13T92RA)

### STEERING ASSEMBLY

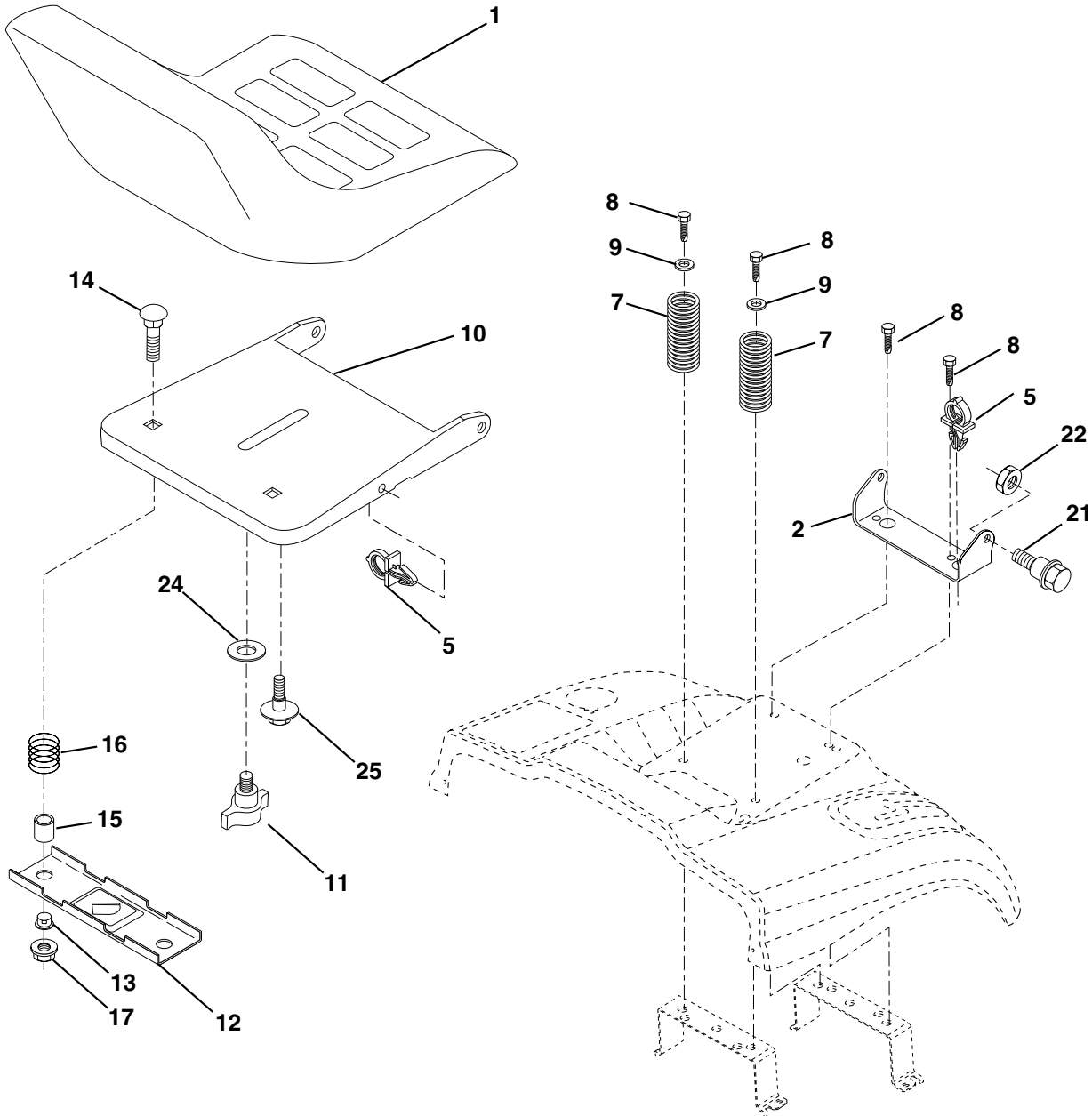
KEY NO.	PART NO.	DESCRIPTION
1	139768	Steering Wheel
2	172393	Axle Asm Cast Iron Lt
3	169840	Spindle Assembly, L.H.
4	169839	Spindle Assembly, R.H.
5	6266H	Bearing, Race, Thrust, Hardened
6	121748X	Washer 25/32 x 1-5/8 x 16 Gauge
8	12000029	Ring, Klip
10	169832	Link, Drag
11	10040600	Washer, Lock
13	136518	Spacer Brg AxleFront
15	145212	Nut Hexflange Lock
17	156546	Shaft Assembly, Steering
18	57079	Washer, Thrust .515 x .750 x .033
19	160395	Support, Shaft
22	165857	Screw Hex Wshhd Torx
23	165851	Pittman Shaft Assembly
25	154406	Bracket, Steering
27	136874	Gear, Sector
29	17060612	Screw 3/8-16 x 3/4
32	170162	Rod, Tie
33	19111216	Washer 11/32 x 3/4 x 16 Ga.
34	10040500	Washer Lock Hvy Hlcl Spr 5/16
35	73540500	Crownlock Nut 5/16-24 Unf
36	155099	Bushing, Steering
37	152927	Screw TT #10-32 x 5 x 3/8 Flange
38	140175	Cap Wheel Steer
39	19133812	Washer 13/32 x 2-3/8 x 12 Gauge
40	7810H	Nut Lock Center 3/8-24 Unf
41	100711L	Adaptor, Steering Wheel
42	145054X428	Boot, Steering Dash P/L Mtl
43	121749X	Washer 25/32 x 1-1/4 x 16 Gauge
44	153720	Extension Steering Non-Adjust
46	121232X	Cap, Spindle
51	73800500	Nut Lock Hx W/Ins 5/16-18 UNC
54	74780520	Bolt Fin Hex 5/16-18 UNC x 1-1/4
62	167902	Kit, Steering Assembly, Service
63	74780616	Bolt Fin Hex 3/8-16 unc. x 1 Gr. 5
65	160367	Spacer Brace Axle
66	154404	Bearing Arm Pittman
67	72140618	Bolt Rdhd Sq 3/8-16 Unc x 2-1/4
68	169827	Brace Axle
79	19132012	Washer 13/32 x 1-1/4 x 12 Ga
80	74950612	Bolt Hex Nylon 3/8-16 x 3/4
82	169635	Bracket Susp Chassis Front
84	170016	Bracket Cable Clutch Chassis
86	165898	Retainer Spring
87	173966	Washer Flat .781 x 1 1/2 x .14

**NOTE:** All component dimensions given in U.S. inches.  
1 inch = 25.4 mm.

# REPAIR PARTS

## TRACTOR- -MODEL NO. 13-92R (MBA13T92RA)

### SEAT ASSEMBLY



KEY NO.	PART NO.	DESCRIPTION
1	175390	Seat
2	140551	Bracket Pnt Pivot Seat (blk )
5	145006	Clip Push In Hinged
7	124181X	Spring Seat Cprsn 2 250 Blk Zi
8	17000616	Screw 3/8-16 X 1-1/2
9	19131614	Washer 13/32 X 1 X 14 Ga
10	174894	Pan Pnt Seat (blk )
11	166369	Knob Seat Adj. Wingnut
12	121246X	Bracket Pnt Mounting Switch
13	121248X	Bushing Snap Blk Nyl 50 Id

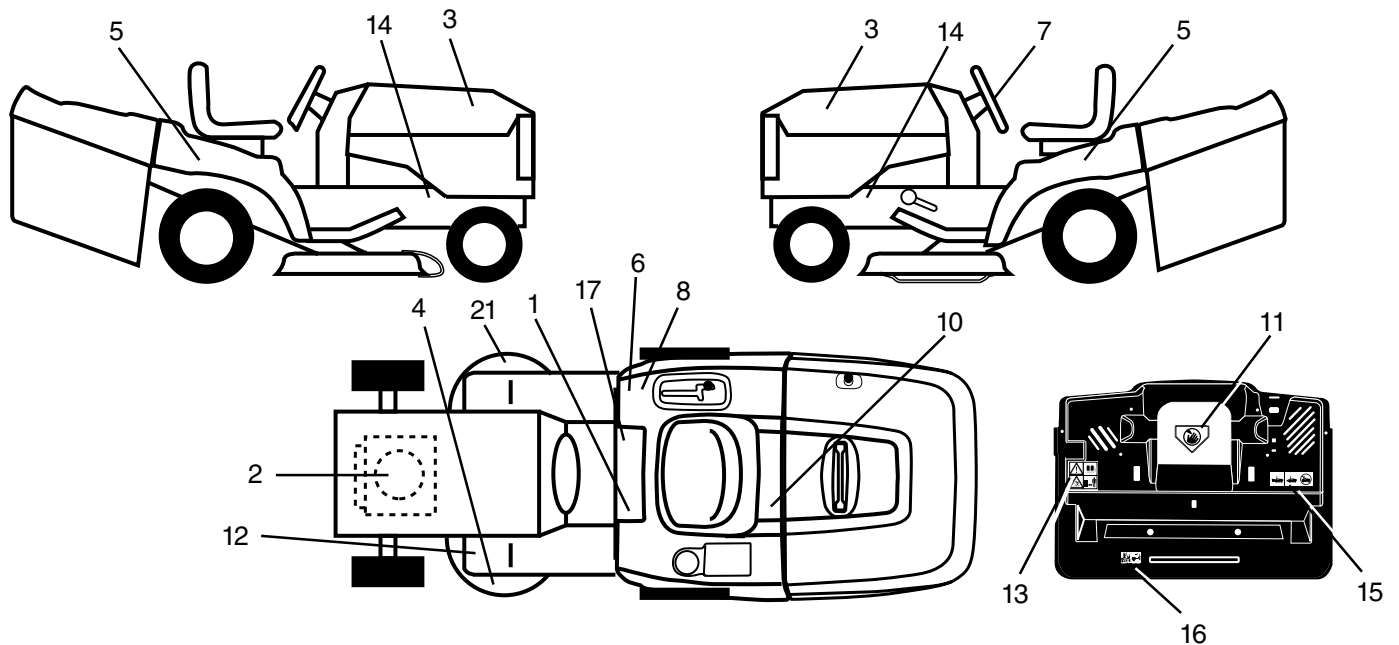
KEY NO.	PART NO.	DESCRIPTION
14	72050412	Bolt Rdhd Sht Nk 1/4-20x1-1/2
15	121249X	Spacer Split 28 X 88 Zinc
16	123740X	Spring Cprsn 1 27 Blk Pnt
17	123976X	Nut Lock 1/4 Lge Flg Gr 5 Zinc
21	171852	Bolt Shoulder 5/16-18 Unc-2A
22	73800500	Nut Hex Lock w/Ins 5/16-18
24	19171912	Washer 17/32 X 1-3/16 X 12 Ga.
25	127018X	Bolt Shoulder 5/16-18 X 62

**NOTE:** All component dimensions given in U.S. inches.  
1 inch = 25.4 mm

# REPAIR PARTS

## TRACTOR- -MODEL NO. 13-92R (MBA13T92RA)

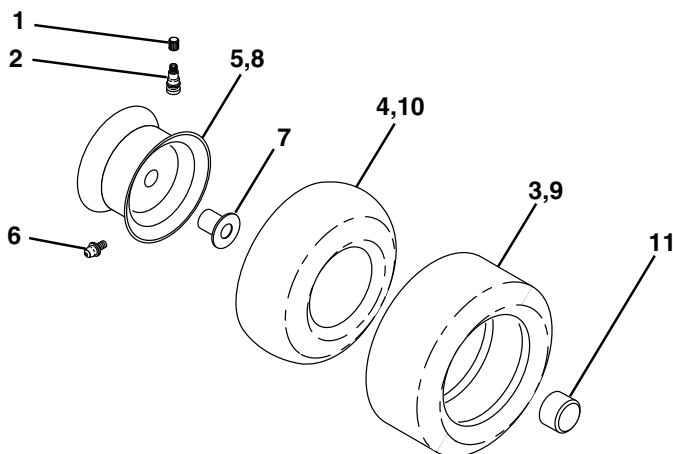
### DECALS



KEY NO.	PART NO.	DESCRIPTION
1	145498	Decal Read Owner's Manual Sym
2	64-1726-29	Decal Hp Engine
3	171668	Decal Hood Logo
4	134999	Decal Enviro Deck Yellow
5	167719	Decal Fender 13/92/6sp
6	126187X	Decal 100 DBA
7	167970	Decal Strng Wheel Logo
8	145437	Decal Europe Stand Ce
10	145005	Decal Bat Dan/Poi P/L Sym Wpn
11	145494	Decal Mower Cut Finger Symbol
12	159737	Decal Brake/Clutch Symbol Lt

KEY NO.	PART NO.	DESCRIPTION
13	166959	Decal Warn Back Plate CRD
14	159736	Decal Chassis Hot Muffler
15	166961	Decal Oper Bag Presence CRD
16	162598	Decal Drawbar Load Limit
17	140837	Decal Saddle Brake Parking
21	166286	Decal Hex Belt Sch 92 CRD
--	138311	Decal Lift Handle
--	157199X428	Pad Footrest
--	176505	Manual Operator's (Euro)
--	176506	Manual Part's

### WHEELS & TIRES



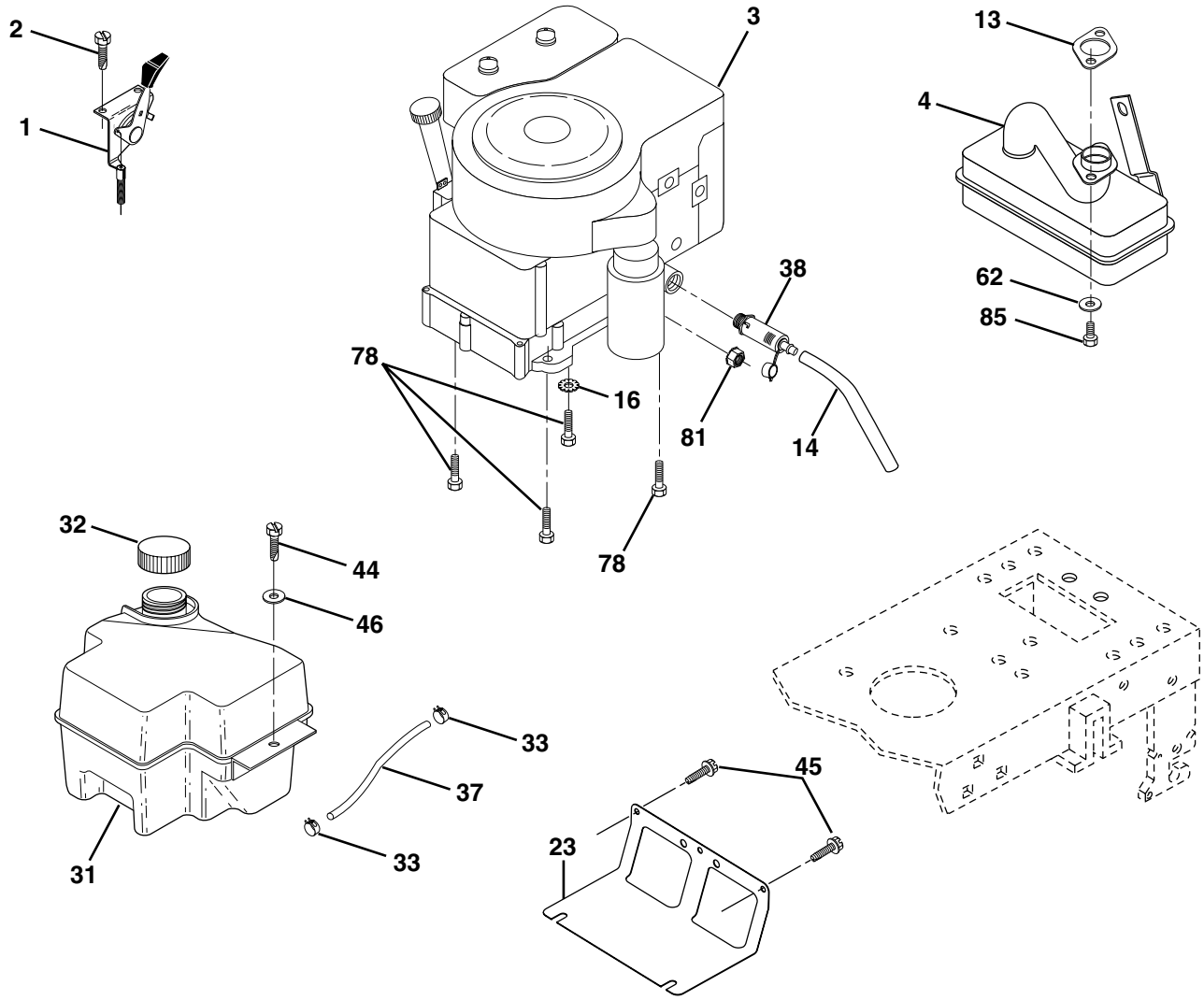
KEY NO.	PART NO.	DESCRIPTION
1	59192	Cap Value Tire
2	65139	Stem Value
3	106222X	Tire F Ts 15 X 6 0 - 6 Service
4	59904	Tube Inner Front #35060
5	106732X427	Rim Asm 6"front Service
6	278H	Fitting Grease
7	9040H	Bearing Flange
8	106108X427	Rim Asm 8"rear Service
9	124635X	Tire R Ts 18 x 8.5-8 Service
10	7152J	Tube Rear 9 5 X 8 Service
11	104757X428	Cap Axle Blk 1 50 X 1 00
--	144334	Sealant, Tire (10 oz. tube)

**NOTE:** All component dimensions given in U.S. inches  
1 inch = 25.4 mm

# REPAIR PARTS

TRACTOR- -MODEL NO. 13-92R (MBA13T92RA)

## ENGINE



29

**OPTIONAL EQUIPMENT**  
**Spark Arrester**

# REPAIR PARTS

## TRACTOR- -MODEL NO. 13-92R (MBA13T92RA)

### ENGINE

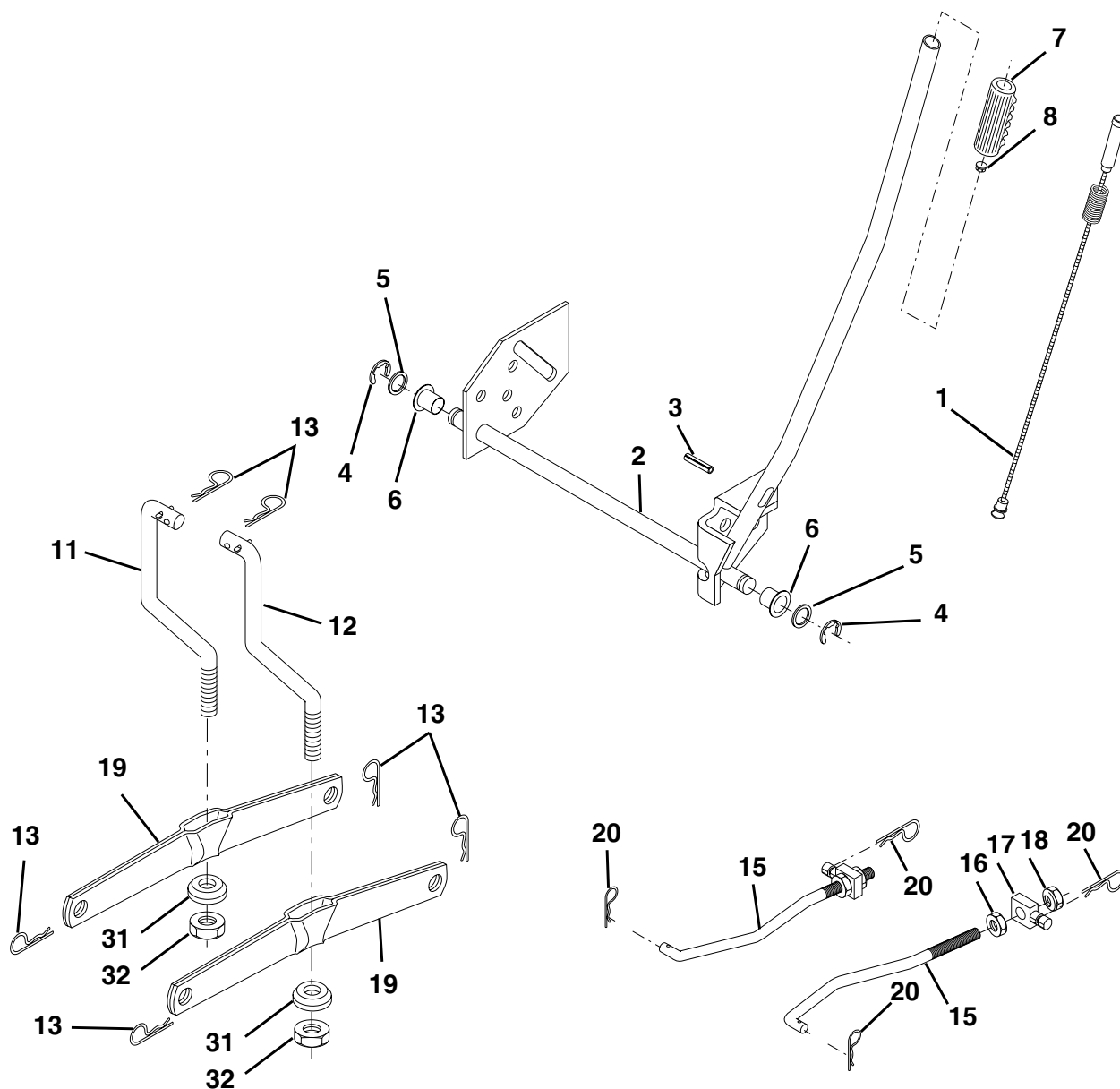
KEY NO.	PART NO.	DESCRIPTION
1	170864	Control Throt /Ch Lh
2	17720410	Screw Hex Thd Cut 1/4-20x5/8 T
3	-----	Engine, Tecumseh Model OHV135 (Order parts from engine manufacturer)
4	156700	Muffler Tec 11/13.0 HP LT
13	165291	Gasket 1 313 Id Tin Plated
14	148456	Tube Drain Oil Easy
16	11050600	Washer Lock Ext Tooth 3/8
23	169837	Shield Browning/Debris Guard
29	137180	Arrestor Spark
31	174642	Tank Fuel 2.00 Fr
32	140527	Cap Asm Fule Top Vent N/Lany
33	123487X	Clamp Hose Blk
37	137040	Line Fuel 20"
38	148315	Plug Drain Oil Easy
44	17670412	Screw Hexwsh Thdrol 1/4-20x3/4
45	17000612	Screw Hex Wsh Thdrol 3/8-16 BI
46	19091416	Washer 9/32 X 7/8 X 16ga
62	10040500	Washer Lock Hvy Hlcl Spr 5/16
78	17060620	Screw 3/8-16x1-1/4
81	73510400	Nut Keps Hex 1/4-20 Unc
85	123528X	Bolt Hex Hd Phillips

**NOTE:** All component dimensions given in U.S. inches  
1 inch = 25.4 mm

# REPAIR PARTS

## TRACTOR- -MODEL NO. 13-92R (MBA13T92RA)

### MOWER LIFT



KEY NO.	PART NO.	DESCRIPTION
1	159460	Washer Asm Inner Spring W/Plunger
2	159471	Shaft Asm. Lift
3	105767X	Pin Groove
4	12000002	E Ring #5133-62
5	19211621	Washer 21/32 x 1 x 21 Ga.
6	120183X	Bearing Nylon
7	109413X	Grip Handle Bicycle
8	124526X	Button Plunger
11	165829	Link Asm Lift L.H.
12	165831	Link Asm Lift R.H.

KEY NO.	PART NO.	DESCRIPTION
13	4939M	Retainer Spring
15	173288	Link Front
16	73350800	Nut Jam Hex 1/2-13 Unc
17	130171	Trunnion Blk Zinc
18	73800800	Nut Lock W/Wsh 1/2-13 Unc
19	139868	Arm Suspension Mower
20	163552	Retainer Spring
31	169865	Bearing, Pvt. Lift.
32	73540600	Nut Crownlock 3/8-24

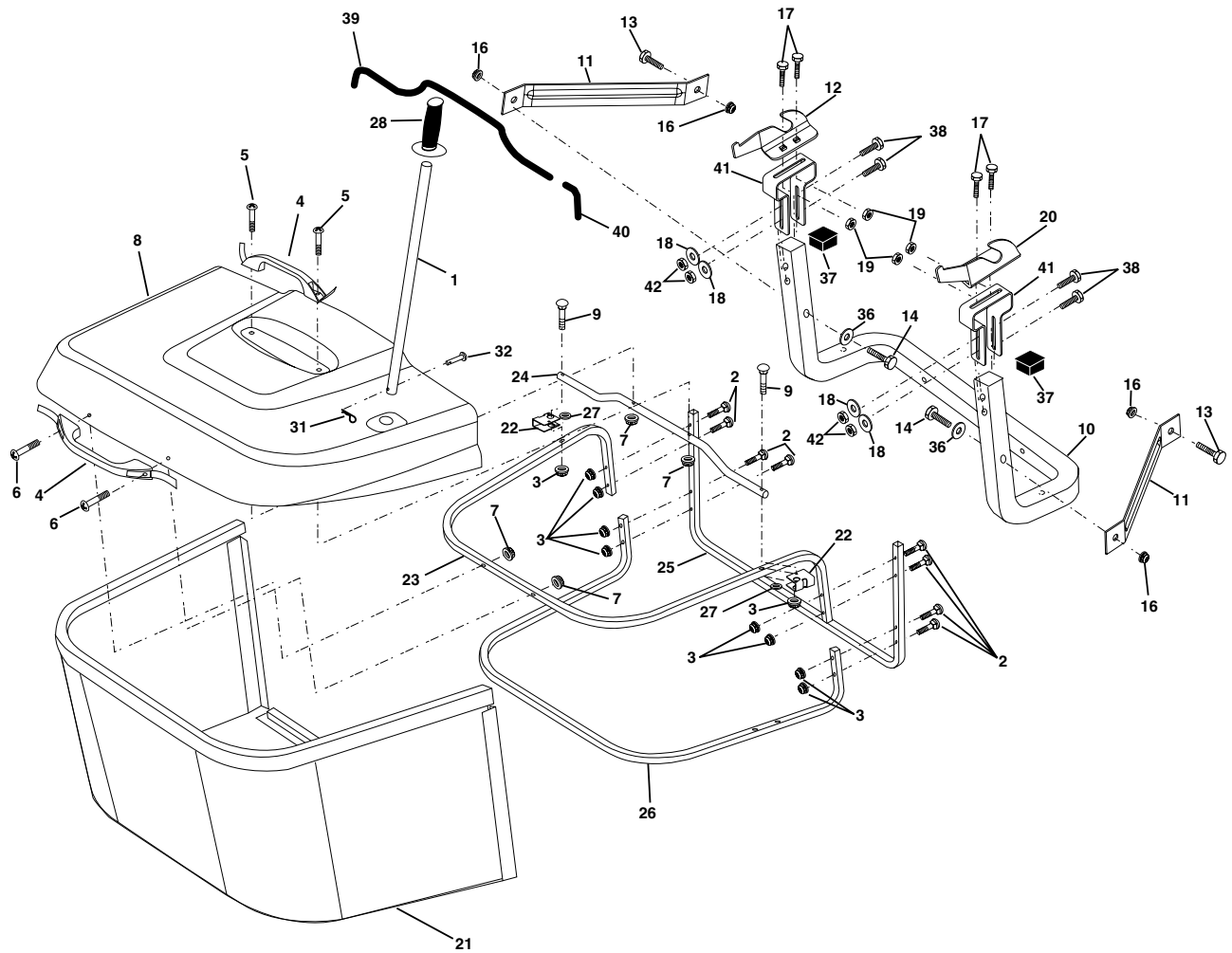
**NOTE:** All component dimensions given in U.S. inches  
1 inch = 25.4 mm



# REPAIR PARTS

## TRACTOR- -MODEL NO. 13-92R (MBA13T92RA)

### BAGGER



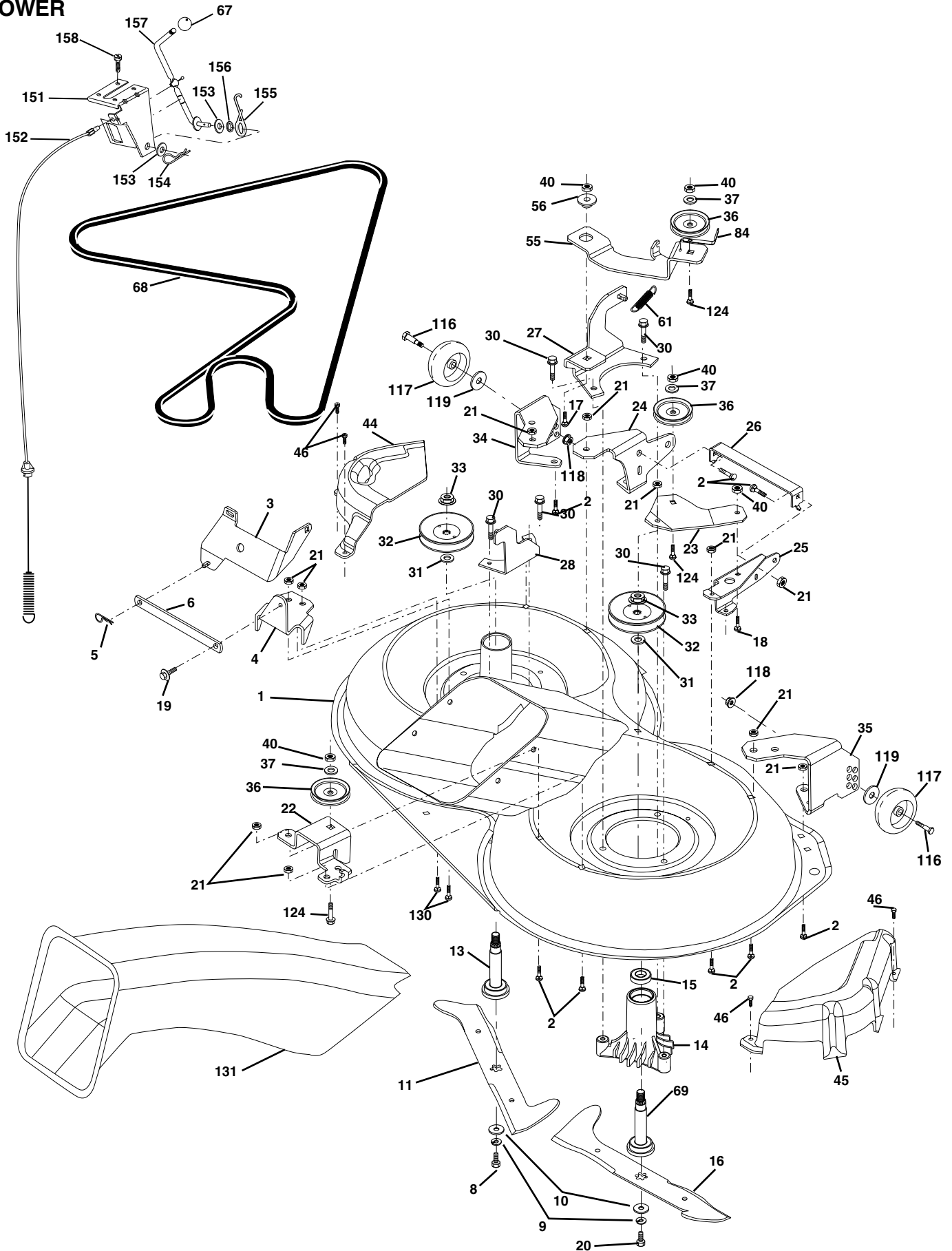
KEY NO.	PART NO.	DESCRIPTION	KEY NO.	PART NO.	DESCRIPTION
1	170690	Tube Handle Bagger CRD	21	165780	Bag Asm CRD
2	72140416	Bolt Carriage 1/4-20 X 2.0 Gr.5	22	165781	Bracket Side Bagger CRD
3	123976X	Nut Lock 1/4 Lge Flg Gr. 5 Zinc	23	165782	Tube Upper Bagger CRD
4	169916	Handle Bagger W/Lurs Blk CRD	24	165783	Tube Pivot Bagger CRD
5	74981024	Screw Pan Head #10-24 X 1.50 Blk	25	165784	Tube Front Bagger CRD
6	74981032	Screw Pan Hd	26	165785	Tube Lower Bagger CRD
7	73401000	Nut Wiz Lock Hex Serr/Hd 10-24	27	169692	Bushing Snap Bagger CRD
8	165715X558	Cover Bagger Plastic CRD	28	170696	Grip Handle Black
9	72140418	Bolt Carriage 1/4-20 x 2.25d x Gr.5	31	4497H	Retainer Spring 1" Zinc/Cad
10	169688	Tube Support Bagger CRD	32	126875X	Rivet Rd Hd Drilled 3/8 Dia
11	165719	Bracket Support Upper Bag CRD	36	19132016	Washer 13/32 x 1-1/4 x 16 Ga.
12	169685	Bracket Horiz Adj Bggr Lh CRD	37	175401	Plug Support
13	72110606	Bolt Rdhd Sht Sqnk 3/8-16 X 3/4	38	72010520	Bolt 5/16-18 x 2-1/2
14	74520640	Bolt Hex 3/8-16 X 2-1/2 Gr. 5	39	169999	Seal 26"
16	73900600	Nut Lock Flg 3/8-16 Unc	40	170000	Seal 7"
17	72140506	Bolt Rdhd Sht Sqnk 5/16 -18 Unc X 3/4	41	169683	Bracket Vert Adj Bagger CRD
18	19111216	Washer 11/32 x 3/4 x 16	42	73800500	Nut Lock Hex W/Ins 5/16-18 Unc Pl
19	73900500	Nut Lock Hex Flange 5/16-18			
20	169684	Bracket Horiz Adj Bggr Rh CRD			

**NOTE:** All component dimensions given in U.S. inches  
1 inch = 25.4 mm

# REPAIR PARTS

## TRACTOR- -MODEL NO. 13-92R (MBA13T92RA)

### MOWER



# REPAIR PARTS

## TRACTOR- -MODEL NO. 13-92R (MBA13T92RA)

### MOWER

KEY NO.	PART NO.	DESCRIPTION	KEY NO.	PART NO.	DESCRIPTION
1	165552	Housing Asm. Mower	40	73680600	Nut Crownlock 3/8-16 Unc
2	72140506	Bolt Rdhd Sqnk 5/16-18 Unc x 3/4	44	165724	Cover Mandrel Lh
3	165569	Bracket Asm. S-Bar Chass	45	165556	Cover Mandrel Rh
4	165558	Bracket Bar Sway Deck	46	137729	Screw Thd Roll 1/4-20 x 5/8
5	4939M	Retainer Spring	55	165445	Arm Idler
6	165557	Bar Sway 92 CRD	56	165723	Spacer Retainer Mower
8	850857	Bolt 3/8-24 x 1.25 Gr8 Patched	61	165945	Spring Tension Belt
9	10030600	Washer Lock Hvy 3/8 Unplated	67	106932X	Knob Rd 3/8-16 Plstc Thds Blk
10	140296	Washer Hard Blade Mower vented	68	165555	Hex-Belt Mower
11	170037	Blade 3-1 Lh	69	165482	Shaft Asm W/Lwr Brg Rh Thd CRD
13	137645	Shaft Asm. W/Lower Bearing	84	156085	Keeper Belt Idler
14	128774	Housing Mandrel Vented (Machd)	116	137644	Bolt Shoulder
15	110485X	Bearing Ball Mandrel	117	133957	Wheel Gage Donut Wide
16	170038	Blade 3-1 Rh	118	73930600	Nut Centerlock 3/8-16 Unc
17	72140610	Bolt Carriage 3/8-16 x 1-1/4	119	19121414	Washer 3/8 x 7/8 x 14 Ga.
18	72110608	Bolt Rdhd Sqnk 3/8-16 x 1 Gr5	124	72110612	Bolt Carr Sh 3/8-16 x 1-1/2 Gr5
19	132827	Bolt Shoulder 5/16-18 Thd Form	130	72110506	Bolt Rdhdsqnk 5/16-18 Unc x 3/4
20	165484	Bolt 3/8-24 x 1.25 Gr8 Ptch Lhthd	131	165661	Chute Bagger CRD
21	73680500	Nut Crown Lock 5/16-18	151	169670	Bracket Clutch Cable
22	165243	Bracket Idler Sprt RR	152	176074	Cable Clutch CRD Service
23	165446	Bracket Idler Sprt RF	153	169674	Washer Flat 3/8" Type B
24	165242	Bracket Suspension LF	154	169675	Spring Retainer
25	165244	Bracket Suspension RF	155	169671	Spring Retention Lvr Cltch Cab
26	165237	Brace Support Susp Frt CRD	156	169672	Spacer Clutch Cable
27	165568	Bracket Asm. Susp RR	157	169669	Rod Clutch Cable 3/8"
28	165567	Bracket Asm. Susp LR	158	17720410	Screw Hex Thd Cut 1/4-20 x 5/8
30	157722	Screw Thd Rolling Washer Head	-	130794	Mandrel Asm Service
31	129963	Washer Spacer Mower Vented	-	165579	Mandrel Asm CRD Lh Threads SVC
32	153531	Mandrel Pulleys 36 & 46	-	173549	Deck Mower Complete
33	137266	Nut Flg Top Lock Cntr B 9/16			
34	165239	Bracket Gauge Wheel Lf			
35	165238	Bracket Gauge Wheel Rf			
36	146763	Pulley Idler V-Groove Dim 4.25			
37	19131316	Washer 11/32 x 13/16 x 16 Ga			

**NOTE:** All component dimensions given in U.S. inches  
1 inch = 25.4 mm