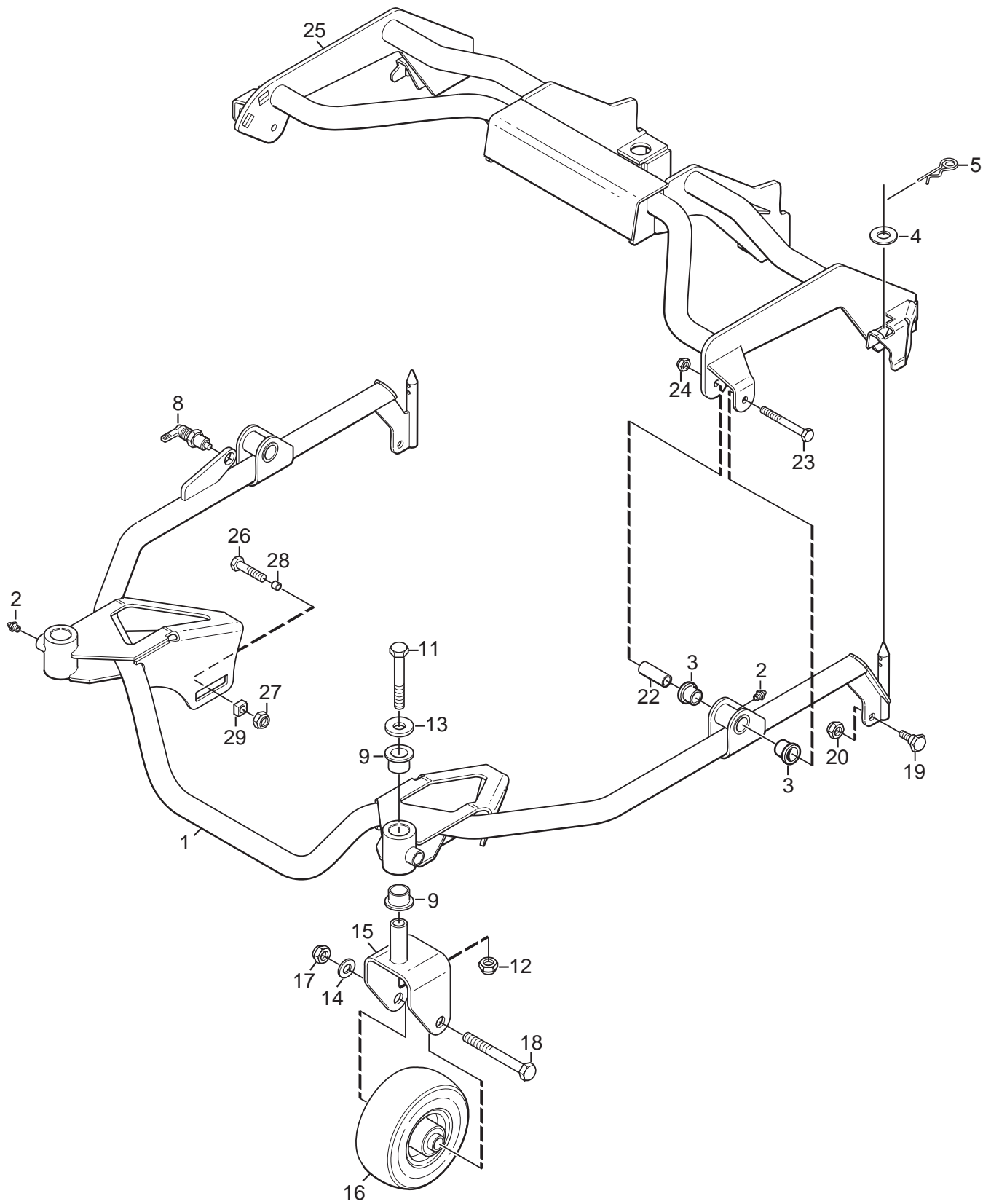
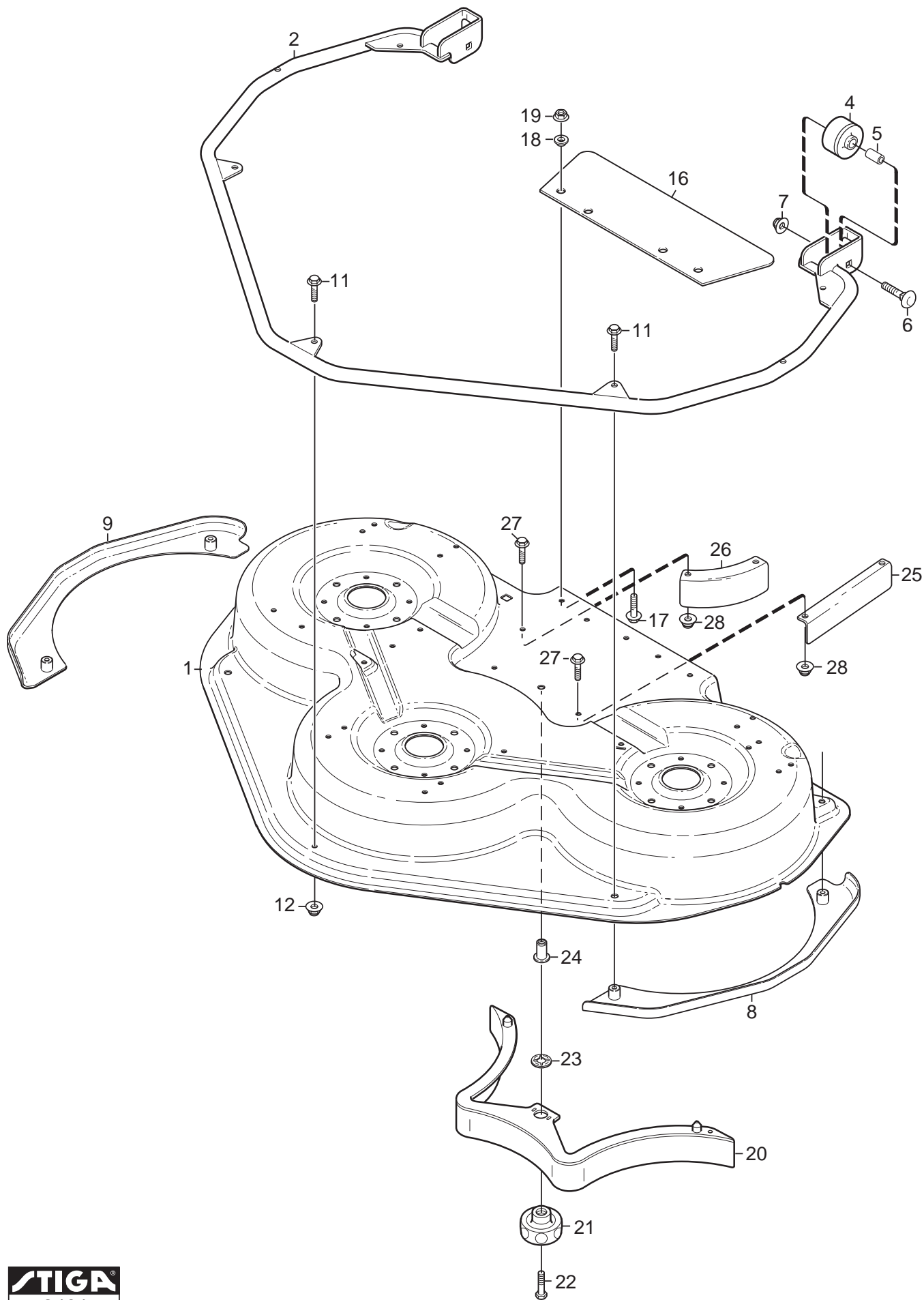


Genuine Spare Parts

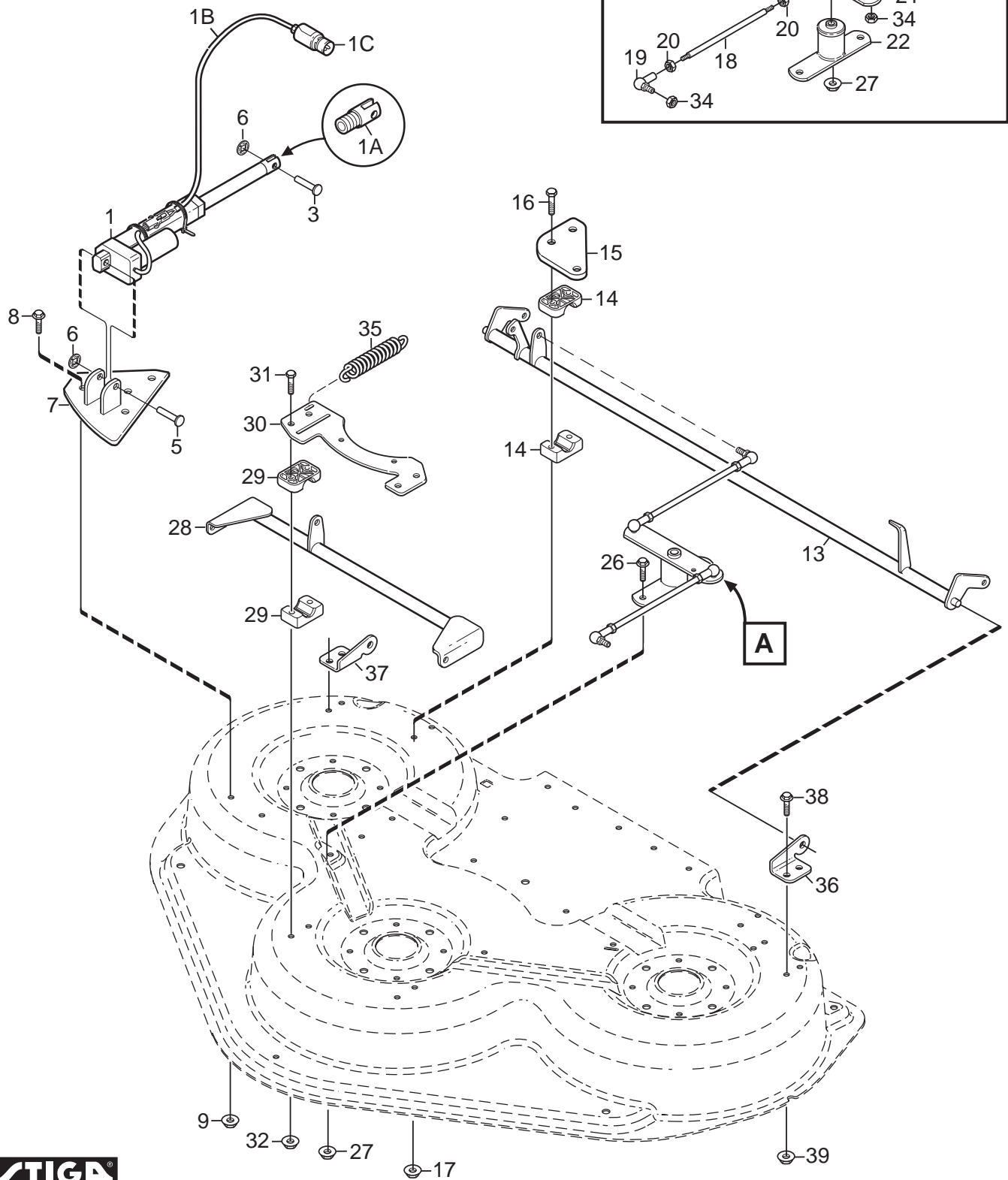




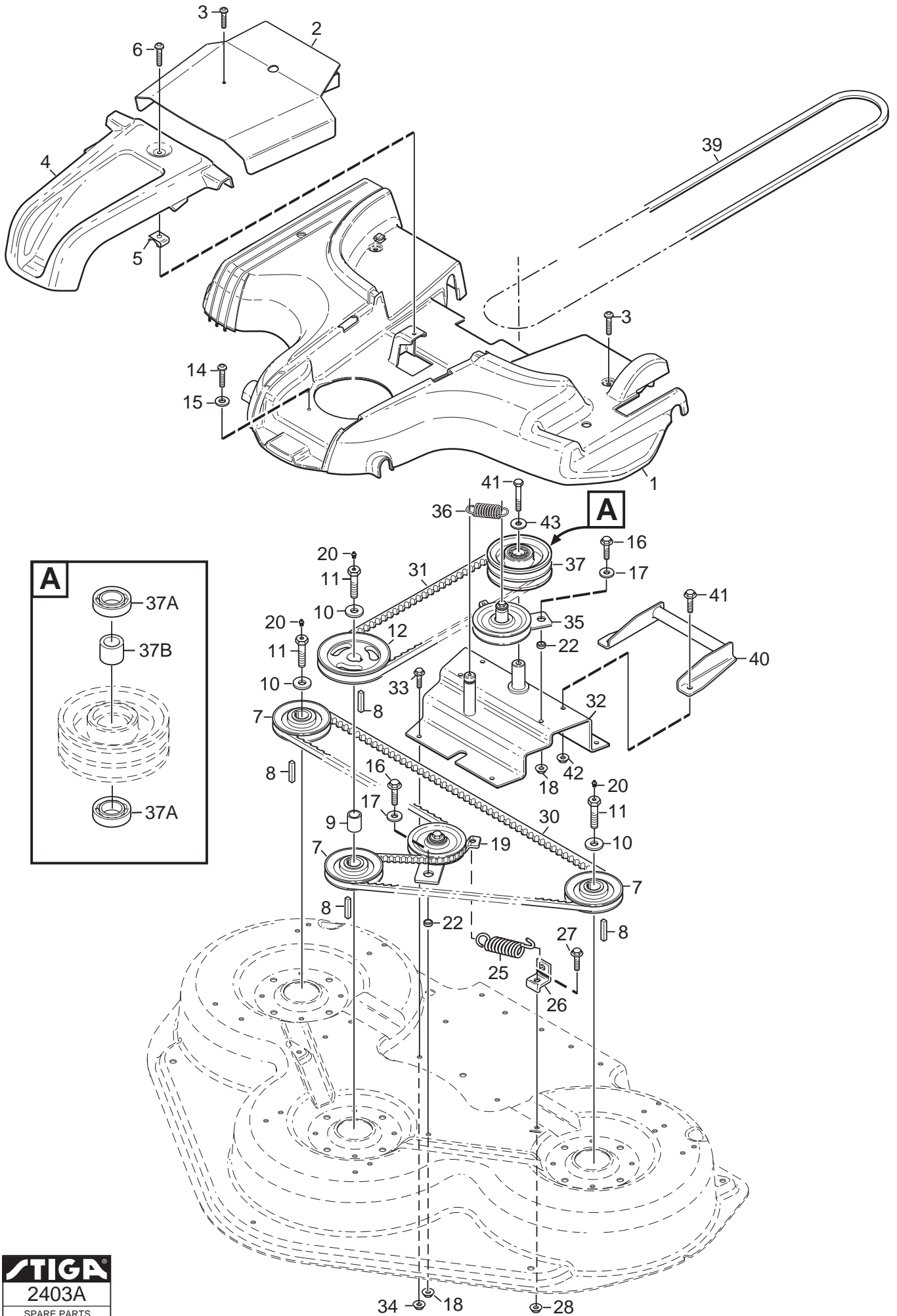
Utgåva Issue 2009- 15		Bildnr Picture No 2400		TITAN KLIPPAGGREGAT 125B- 125H RAM			MOWER DECK 125B- 125H FRAME		Sida Page 64	
Pos. Fig.	Antal/Quantity				Art nr Part No	Benämning	Description	Sats Kit	Anmärkning Notes	
	7812 7822									
1	1				1134-7577-01	Ram.....	Frame.....			
2	4				9501-0500-00	Smörjnippel.....	Grease joint.....			
3	4				9544-0002-01	Glidlager.....	Bearing.....			
4	2				9699-0123-02	Bricka.....	Washer.....			
5	2				9598-2001-02	Låsnål.....	Spring pin.....			
8	1				1134-7330-01	Spärrbult.....	Catch bolt.....			
9	4				1134-5686-01	Lagerbussning.....	Bearing bush.....			
11	2				9997-1211-02	Skruv.....	Screw.....			
12	2				9747-1231-02	Låsmutter.....	Lock nut.....			
13	2				1134-7410-01	Bricka.....	Washer.....			
14	2				9699-0104-02	Bricka.....	Washer.....			
15	2				1134-7477-01	Hjulbygel.....	Wheel fork.....			
16	2				1134-7769-01	Hjul.....	Wheel.....			
17	2				9747-1631-02	Låsmutter.....	Lock nut.....			
18	2				9997-1616-02	Skruv.....	Screw.....			
19	2				1134-0240-01	Ansattsskruv.....	Shoulder screw.....			
20	2				9747-0831-02	Mutter.....	Lock nut.....			
22	2				1134-7617-01	Distans.....	Spacer.....			
23	2				9997-1080-12	Skruv.....	Screw.....			
24	2				9747-1031-02	Låsmutter.....	Lock nut.....			
25	1				1134-7805-01	Lyftfram.....	Lift frame.....			
26	2				9997-0825-16	Skruv.....	Screw.....			
27	2				9747-0831-02	Mutter.....	Lock nut.....			
28	2				1134-5626-01	Distans.....	Spacer.....			
29	2				1134-7595-01	Distans.....	Spacer.....			



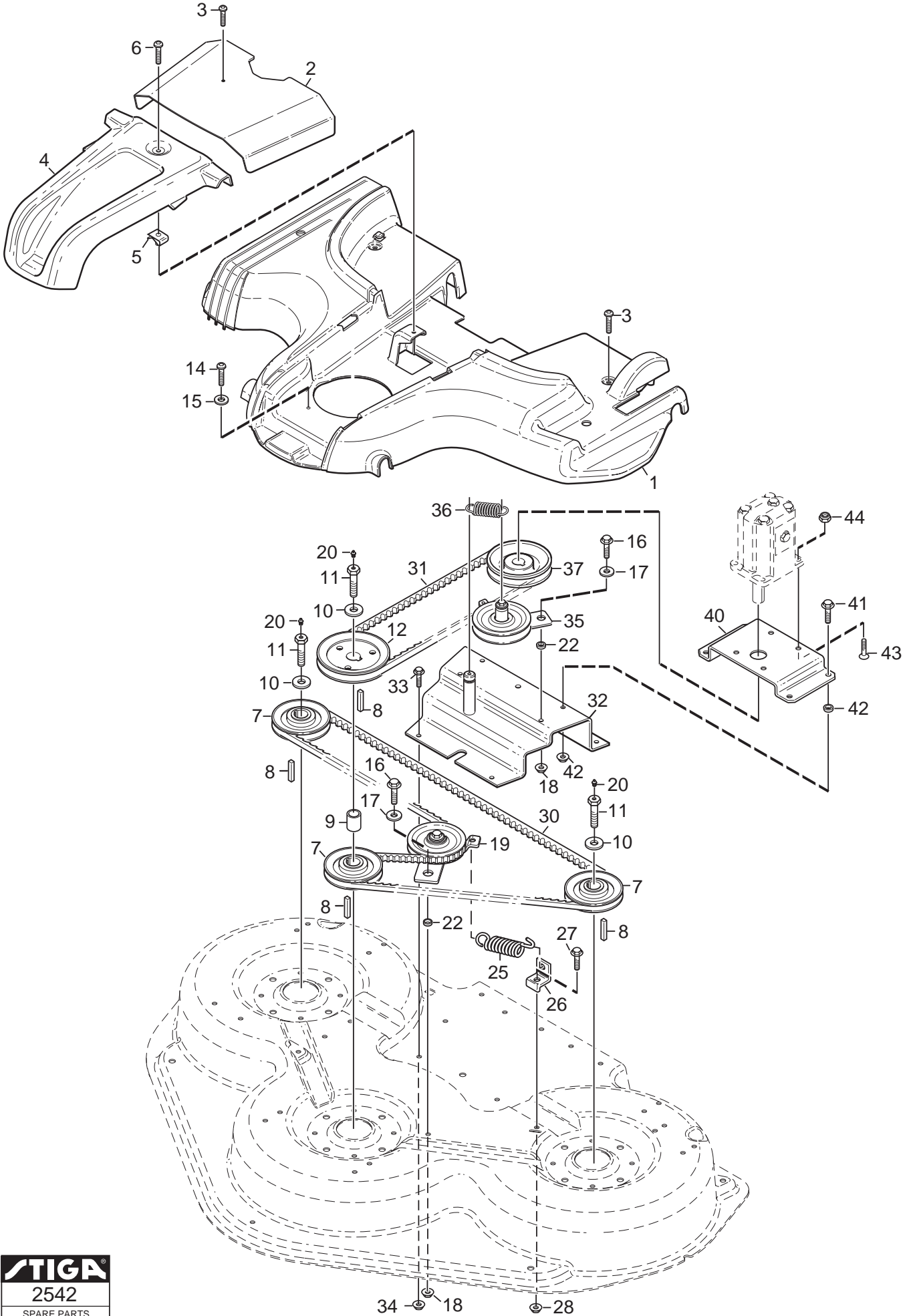
Utgåva Issue		Bildnr Picture No		TITAN KLIPPAGGREGAT 125B- 125H KÅPA		MOWER DECK 125B- 125H CASING		Sida Page 66	
Pos. Fig.	Antal/Quantity				Art nr Part No	Benämning	Description	Sats Kit	Anmärkning Notes
	7812								
1	1				1134-7750-01	Kåpa	Casing		Pos 24 incl.
2	1				1134-6110-03	Ram- grå.....	Frame- grey		
4	2				1134-3434-01	Rulle	Roller		
5	2				1134-0041-04	Hylsa	Bushing.....		
6	2				9897-1060-12	Skruv	Screw		
7	2				9739-1031-22	Mutter.....	Nut		
8	1				1134-7520-01	Slitskydd- vä	Wear protection- LH		
9	1				1134-7520-02	Slitskydd- hö.....	Wear protection- RH.....		
11	5				9959-0816-16	Skruv	Screw		
12	1				9739-0831-22	Mutter.....	Nut		
16	1				1134-5885-01	Gummiskydd	Rubber flap		
17	2				9959-0816-16	Skruv	Screw		
18	4				1134-4185-01	Ansatsbricka.....	Flange washer		
19	2				9739-0831-22	Mutter.....	Nut		
20	1				1134-5409-02	Mulcherplugg (svart).....	Mulch plug (black)		
21	1				1117-3194-01	Lås ratt	Locking knob		
22	1				9997-0840-16	Skruv	Screw		
23	1				9675-0012-02	Starlock	Locking washer		
24	1				1134-5595-01	.NitmutterRiveting nut.....		
25	1				1134-5553-02	Ledskena- rak (svart).....	Guide plate- straight		
26	1				1134-5554-02	Ledskena- böjd (svart).....	Guide plate- curved		
27	4				9959-0816-16	Skruv	Screw		
28	4				9739-0831-22	Mutter.....	Nut		



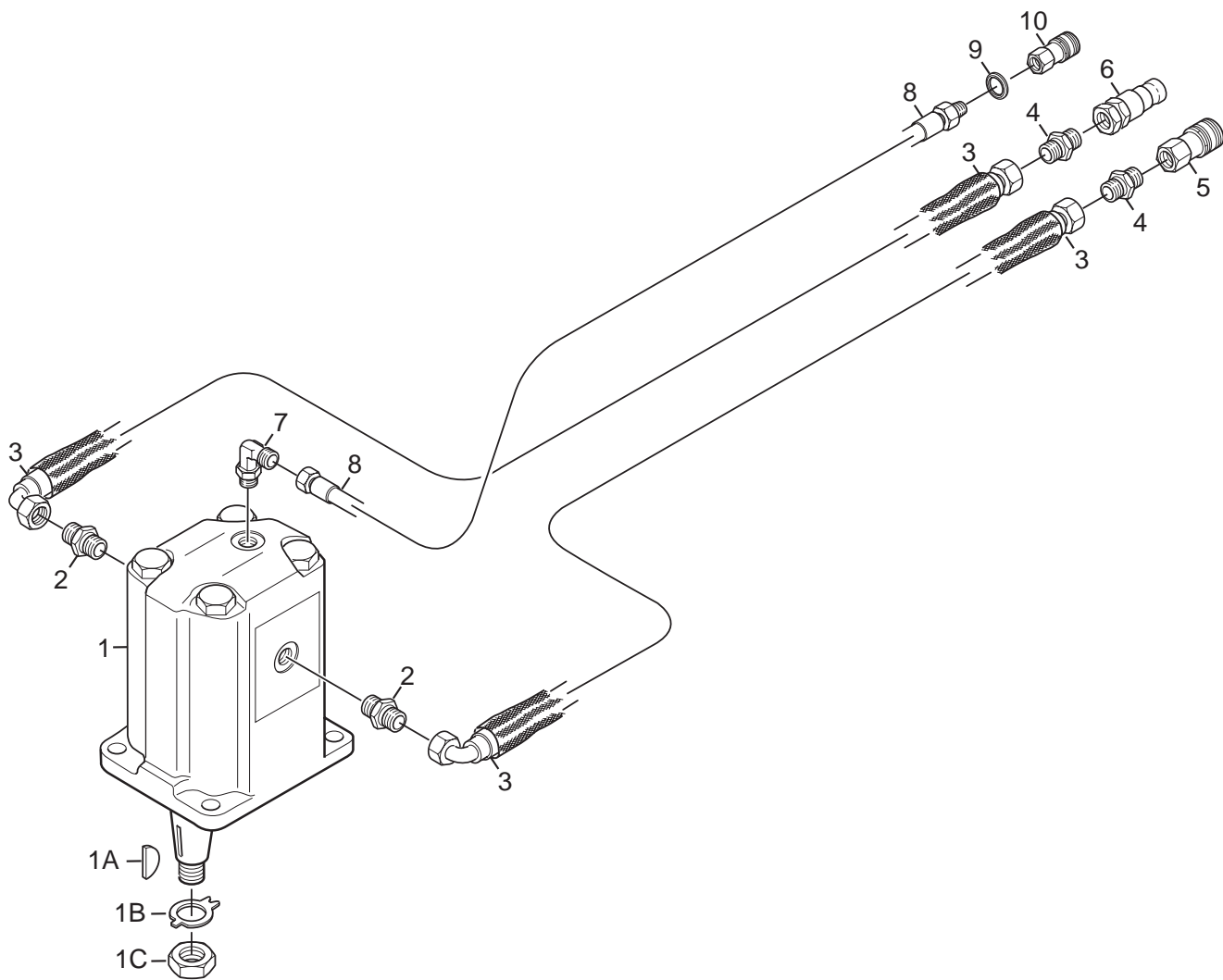
Utgåva Issue		Bildnr Picture No		TITAN KLIPPAGGREGAT 125B- 125H REGLAGE		MOWER DECK 125B- 125H CONTROLS		Sida Page 68	
Pos. Fig.	Antal/Quantity				Art nr Part No	Benämning	Description	Sats Kit	Anmärkning Notes
	7812								
1	1				1134-6416-01	Ställdon	Actuator		L = 810 mm
1A	1				1134-6373-01	.KolvstångsändaRod end		
1B	1				1134-6418-03	.KabelCable		
1C	1				1134-6182-01	.HankontaktMale terminal		
3	1				9646-0098-22	Nit.....	Rivet.....		
5	1				9646-0105-22	Nit.....	Rivet.....		
6	2				9675-0012-02	Starlock	Locking washer.....		
7	1				1134-5981-01	Fäste	Bracket.....		
8	2				9959-0816-16	Skruv	Screw.....		
9	2				9739-0831-22	Mutter.....	Nut		
13	1				1134-7603-01	Bakaxel	Rear axle		
14	4				1134-5469-01	Lagerhalva	Bearing half		
15	2				1134-5471-01	Överfall- bakre	Bearing plate- rear		
16	4				9997-0845-12	Skruv	Screw		
17	4				9739-0831-22	Mutter.....	Nut		
18	2				1134-5473-01	Tryckstång.....	Push rod		
19	4				9570-0002-00	Vinkellänk	Elbow link		
20	4				9739-0831-22	Mutter.....	Nut		
21	1				1134-5855-01	Länkarm	Pivot arm		
22	1				1134-5858-01	Pivotfäste.....	Pivot shaft.....		
23	1				9997-0880-16	Skruv	Screw		
24	1				1134-5127-01	Bricka	Washer.....		
26	2				9959-0816-16	Skruv	Screw.....		
27	3				9739-0831-22	Mutter.....	Nut		
28	1				1134-5427-01	Framaxel.....	Front axle		
29	4				1134-5469-01	Lagerhalva	Bearing half		
30	1				1134-5846-01	Överfall- främre.....	Bearing plate- front		
31	4				9997-0845-12	Skruv	Screw		
32	4				9739-0831-22	Mutter.....	Nut		
34	4				9747-0831-02	Mutter.....	Lock nut.....		
35	1				1134-5847-01	Fjäder.....	Spring		
36	1				1134-7490-01	Fäste- vä	Bracket- LH		
37	1				1134-7490-02	Fäste- hö	Bracket- RH		
38	4				9959-0820-16	Skruv	Screw.....		
39	4				9739-0831-22	Mutter.....	Nut		



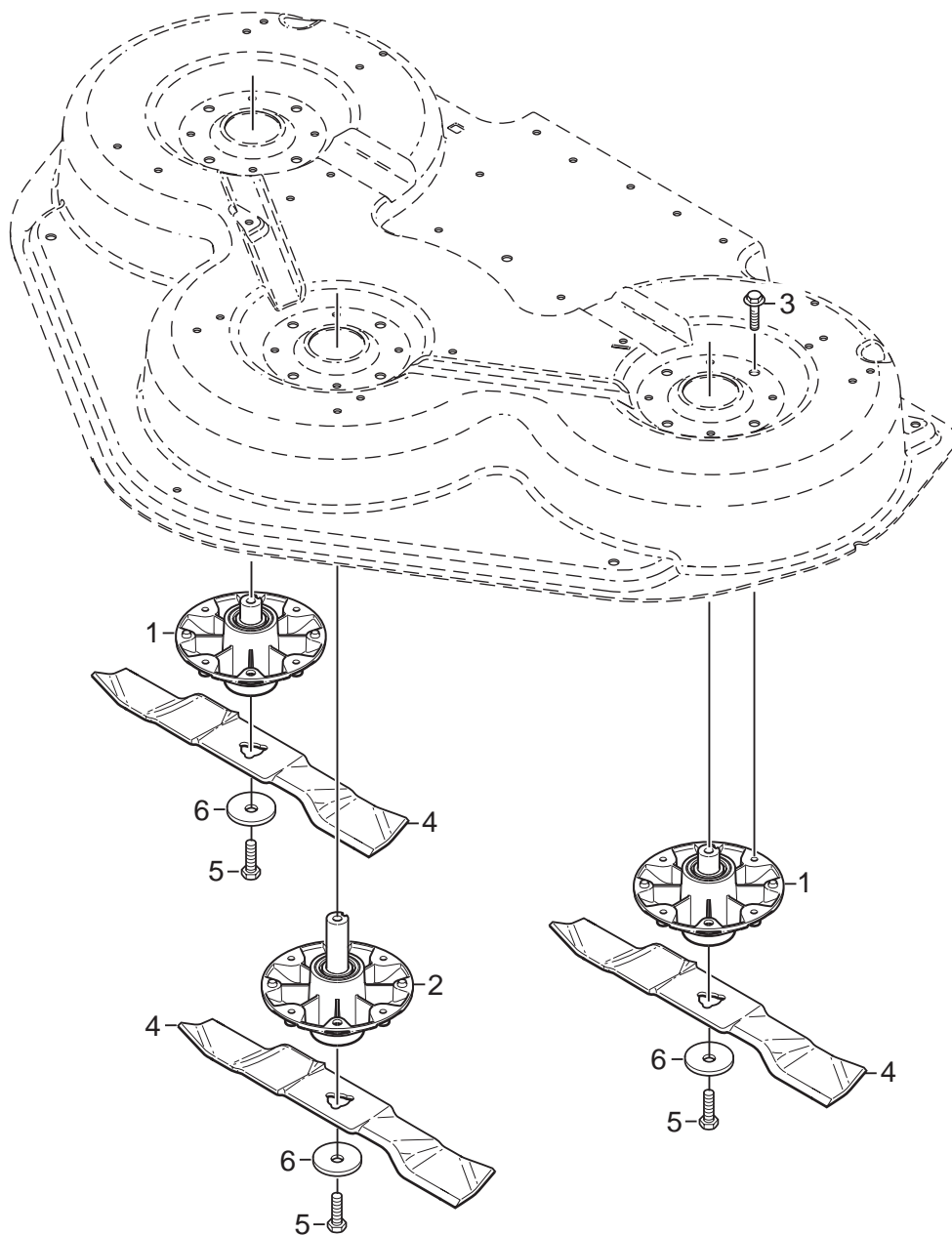
Utgåva Issue		Bildnr Picture No		TITAN KLIPPAGGREGAT 125B TRANSMISSION		MOWER DECK 125B TRANSMISSION		Sida Page 70	
Pos. Fig.	Antal/Quantity				Art nr Part No	Benämning	Description	Sats Kit	Anmärkning Notes
	7812								
1	1				1134-7596-01	Transmissionskåpa	Transmission cover		
2	1				1134-7614-01	Transmissionskåpa	Transmission cover		
3	3				9893-0616-16	Skruv	Screw		
4	1				1134-5987-01	Täckkåpa	Cover		
5	1				1134-4176-01	Clips	Clips		
6	1				9893-0616-16	Skruv	Screw		
7	3				1134-5404-01	Remskiva	Belt pulley		
8	4				9600-0171-01	Plattkil	Flat key		6 x 6 x 25 mm
9	1				1134-5400-03	Distans	Spacer		L = 20 mm
10	3				1134-5406-01	Bricka	Washer		
11	3				1134-7517-01	Skruv	Screw		
12	1				1134-7813-01	Remskiva	Belt pulley		Ø = 150 mm
14	2				9893-0616-16	Skruv	Screw		
15	2				9699-0060-02	Planbricka	Flat washer		
16	2				9959-0816-16	Skruv	Screw		
17	2				9699-0109-02	Planbricka	Flat washer		
18	2				9739-0831-22	Mutter	Nut		
19	1				1134-7611-01	Spännrulle kpl.	Tension roller assy		
20	3				9501-0500-00	Smörjnippel	Grease joint		
22	2				1134-7618-01	Distans	Spacer		
25	1				1134-0327-00	Kåpfjäder	Spring		
26	1				1134-5415-01	Fjäderfäste	Spring attachment		
27	1				9959-0816-16	Skruv	Screw		
28	1				9739-0831-22	Mutter	Nut		
30	1				1134-9087-01	Kilrem	V- belt		9585-0142-01
31	1				9585-0186-01	Kilrem	V- belt		
32	1				1134-7605-01	Hylla	Transm. plate		
33	1				9959-0820-16	Skruv	Screw		
34	1				9739-0831-22	Mutter	Nut		
35	1				1134-7610-01	Spännrulle kpl.	Tension roller assy		
36	1				1134-7619-01	Fjäder	Spring		
37	1				1134-6911-01	Remskiva	Pulley		
37A	2				9549-0059-01	Kullager	Ball bearing		
37B	1				1134-6909-01	Distans	Spacer		
39	1				9585-0187-01	Kilrem	V- belt		
40	1				1134-7679-01	Remstyrning	Belt guide		
41	2				9959-0820-16	Skruv	Screw		
42	2				9739-0831-22	Mutter	Nut		
43	1				1134-5406-01	Bricka	Washer		
44	1				9959-1025-16	Skruv	Screw		



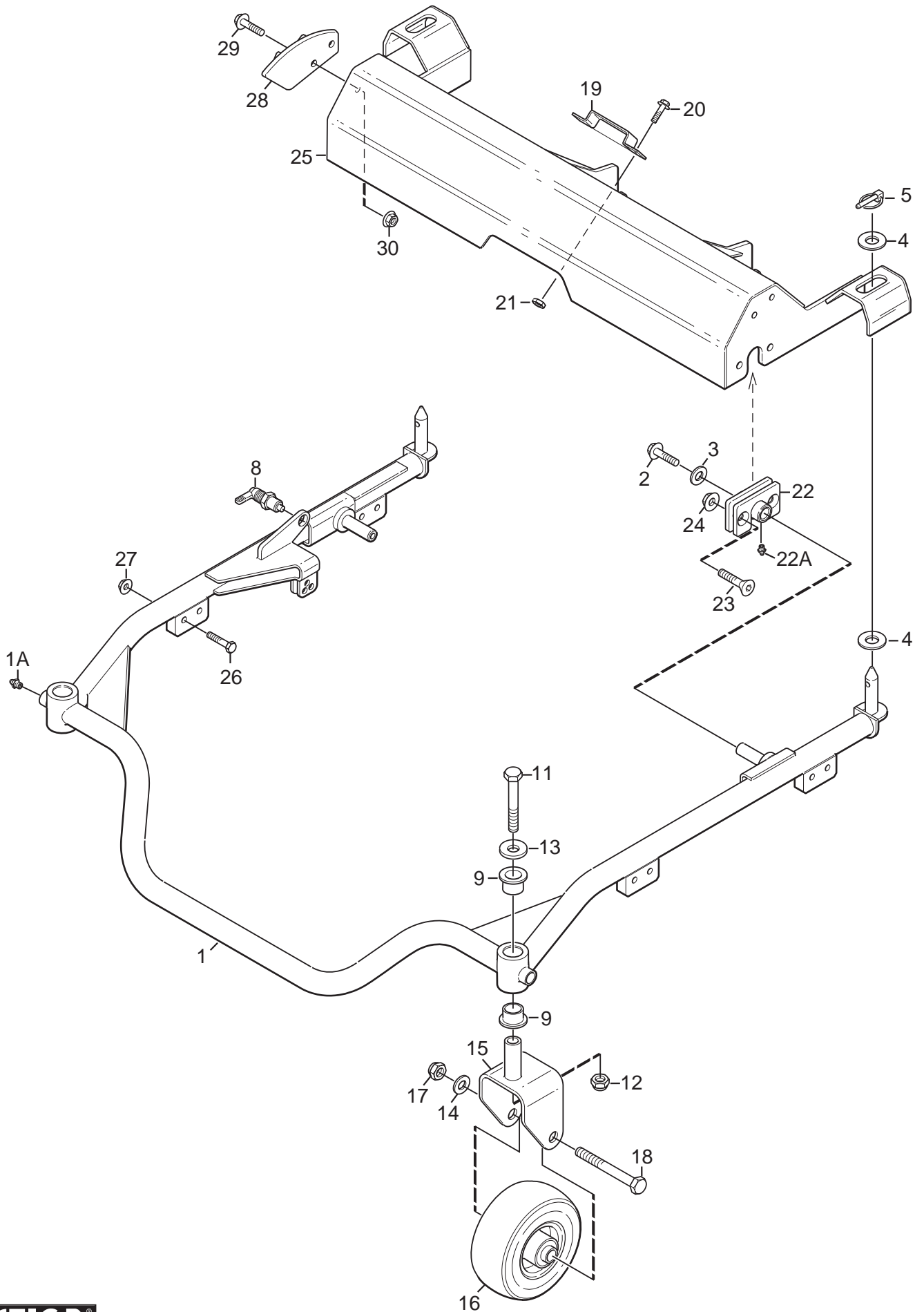
Utgåva Issue		Bildnr Picture No		TITAN KLIPPAGGREGAT 125H TRANSMISSION		MOWER DECK 125H TRANSMISSION		Sida Page 72	
Pos. Fig.	Antal/Quantity				Art nr Part No	Benämning	Description	Sats Kit	Anmärkning Notes
	7822								
1	1				1134-7596-01	Transmissionskåpa	Transmission cover		
2	1				1134-7870-01	Transmissionskåpa	Transmission cover		
3	3				9893-0616-16	Skruv	Screw		
4	1				1134-5987-01	Täckkåpa	Cover		
5	1				1134-4176-01	Clips	Clips		
6	1				9893-0616-16	Skruv	Screw		
7	3				1134-5404-01	Remskiva	Belt pulley		
8	4				9600-0171-01	Plattkil	Flat key		6 x 6 x 25 mm
9	1				1134-5400-03	Distans	Spacer		L = 20 mm
10	3				1134-5406-01	Bricka	Washer		
11	3				1134-7517-01	Skruv	Screw		
12	1				1134-7813-01	Remskiva	Belt pulley		Ø = 150 mm
13	1				1134-6017-01	Remstyrning	Belt guide		
14	2				9893-0616-16	Skruv	Screw		
15	1				9699-0060-02	Planbricka	Flat washer		
16	2				9959-0816-16	Skruv	Screw		
17	2				9699-0109-02	Planbricka	Flat washer		
18	2				9739-0831-22	Mutter	Nut		
19	1				1134-7611-01	Spännrulle kpl.	Tension roller assy		
20	3				9501-0500-00	Smörjnippel	Grease joint		
22	2				1134-7618-01	Distans	Spacer		
25	1				1134-0327-00	Kåpfjäder	Spring		
26	1				1134-5415-01	Fjäderfäste	Spring attachment		
27	1				9959-0816-16	Skruv	Screw		
28	1				9739-0831-22	Mutter	Nut		
30	1				1134-9087-01	Kilrem	V- belt		9585-0142-01
31	1				9585-0186-01	Kilrem	V- belt		
32	1				1134-7868-01	Hylla	Transm. plate		
33	1				9959-0820-16	Skruv	Screw		
34	1				9739-0831-22	Mutter	Nut		
35	1				1134-7610-01	Spännrulle kpl.	Tension roller assy		
36	1				1134-7619-01	Fjäder	Spring		
37	1				1134-7871-01	Remskiva	Pulley		
39	1				9585-0187-01	Kilrem	V- belt		
40	1				1134-7869-01	Motorfäste	Motor bracket		
41	4				9945-0825-16	Skruv	Screw		
42	1				1134-7618-01	Distans	Spacer		
43	4				9924-0830-16	Skruv	Screw		
44	4				9747-0831-02	Mutter	Nut		



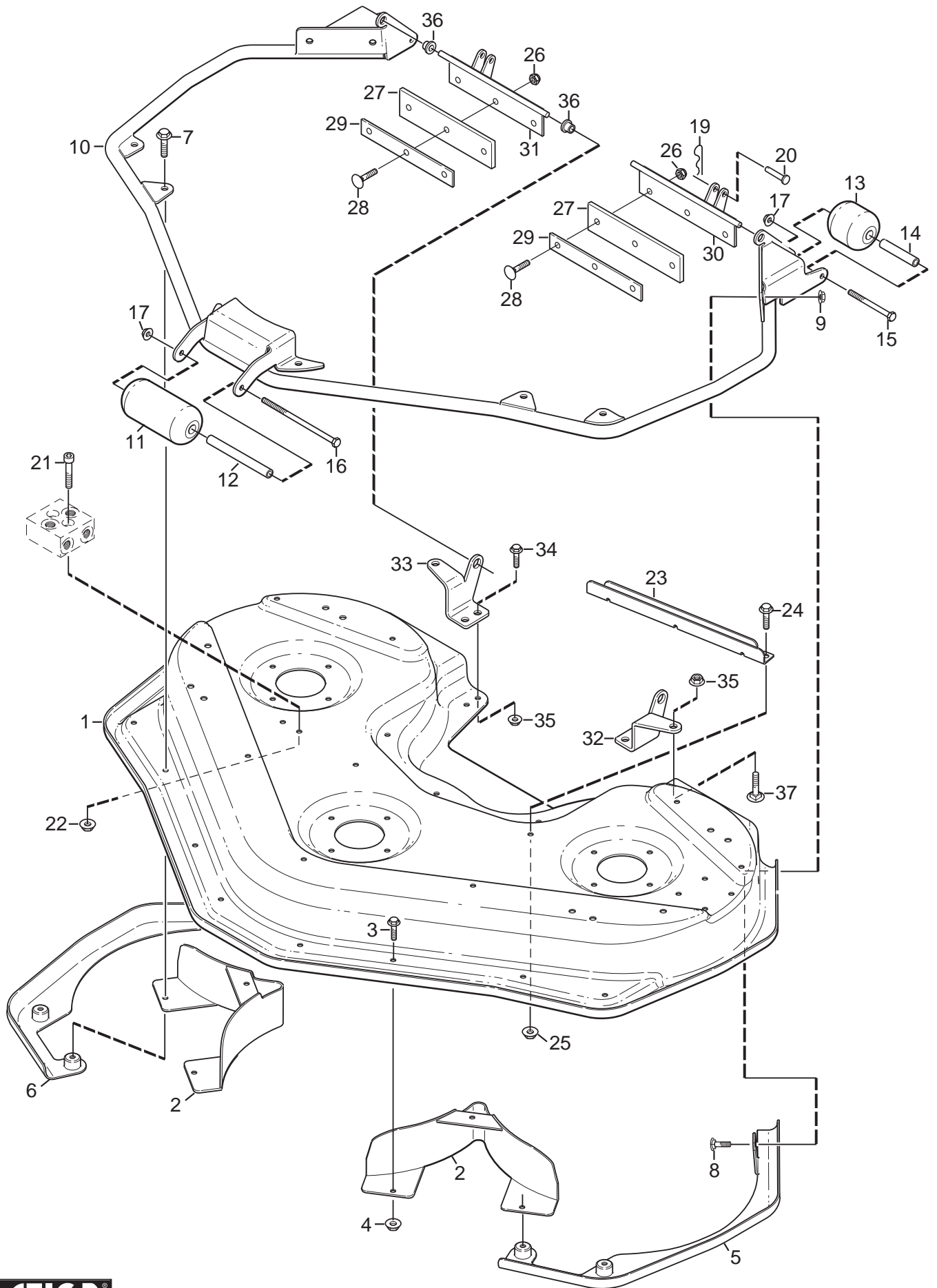
Utgåva Issue		Bildnr Picture No		TITAN KLIPPAGGREGAT 125H MOTORHYDRAULIK		MOWER DECK 125H MOTOR HYDRAULIC		Sida Page	
2009- 15		2362						74	
Pos. Fig.	Antal/Quantity				Art nr Part No	Benämning	Description	Sats Kit	Anmärkning Notes
	7822								
1	1				1134-7329-01	Hydraulmotor	Hydraulic motor		
1A	1				1139-0009-01	.KilKey		
1B	1				1139-0007-01	.BrickaWasher		
1C	1				1139-0008-01	.MutterNut		
2	2				1134-7315-01	Adapter	Hydraulic connector		
3	2				1134-7630-01	Hydraulslang 1/2"	Hydraulic tube 1/2"		
4	2				1134-7161-01	Adapter	Hydraulic connector		
5	1				1134-7182-01	Snabbkoppling- hona	Quick coupling- female		
6	1				1134-7181-01	Snabbkoppling- hane	Quick coupling- male		
7	1				1134-5806-01	Vinkeladapter	Angle coupling		
8	1				1134-7294-01	Hydraulslang 1/4"	Hydraulic tube 1/4"		
9	1				1134-4948-01	Tredobricka	Seal washer		
10	1				1134-7172-01	Snabbkoppling- hona	Quick coupling- female		



Utgåva Issue 2009- 15		Bildnr Picture No 2404		TITAN KLIPPAGGREGAT 125B- 125H KNIVAR		MOWER DECK 125B- 125H BLADES		Sida Page 76	
Pos. Fig.	Antal/Quantity				Art nr Part No	Benämning	Description	Sats Kit	Anmärkning Notes
	7812 7822								
1	2				1134- 7513- 01	Lagerbox kpl.....	Bearing box assy.....		Kit of 3/sats 3 st
2	1				1134- 7513- 02	Lagerbox kpl.....	Bearing box assy.....		
3	12				9945- 0825- 16	Skruv	Screw		
4	1				1134- 9125- 01	Knivsats	Blade kit		
5	3				9997- 1060- 12	Skruv	Screw		
6	3				1134- 6211- 01	Knivbricka.....	Blade washer.....		

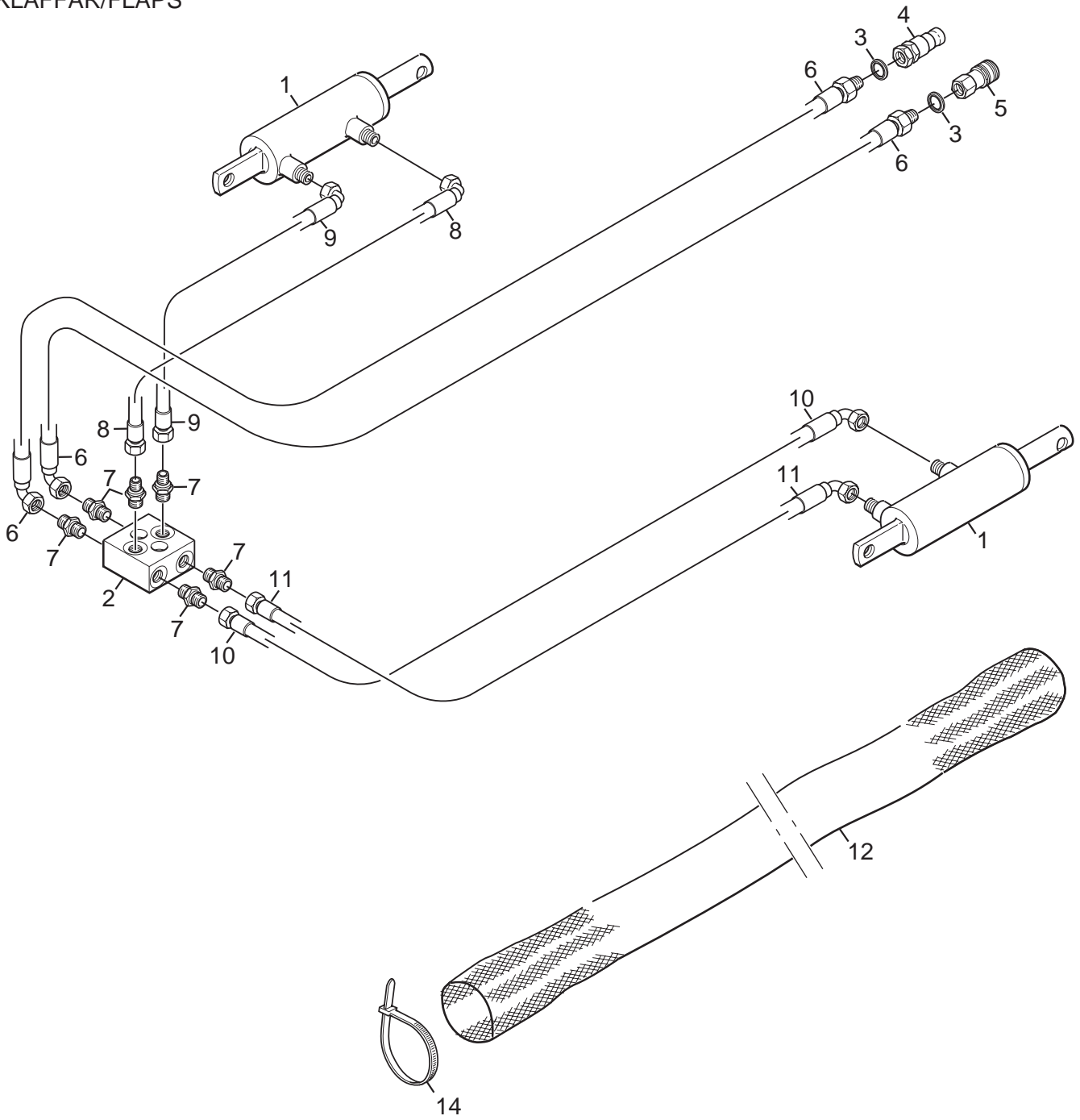


Utgåva Issue 2009- 15		Bildnr Picture No 2355A		TITAN KLIPPAGGREGAT 135B- 135H RAM			MOWER DECK 135B- 135H FRAME		Sida Page 78	
Pos. Fig.	Antal/Quantity				Art nr Part No	Benämning	Description	Sats Kit	Anmärkning Notes	
	7813 7823									
1	1				1134- 7840- 01 Ram.....	Frame.....				
1A	2				9501- 0500- 00 .Smörjnippel.....	.Grease joint.....				
2	2				9959- 1025- 16 Skruv.....	Screw.....				
3	2				1134- 5406- 01 Bricka.....	Washer.....				
4	10				1134- 7411- 01 Bricka.....	Washer.....				
5	2				1134- 7345- 01 Låssprint.....	Locking pin.....				
8	1				1134- 7330- 01 Spärrbult.....	Catch bolt.....				
9	4				1134- 5686- 01 Lagerbussning.....	Bearing bush.....				
11	2				9997- 1211- 02 Skruv.....	Screw.....				
12	2				9747- 1231- 02 Låsmutter.....	Lock nut.....				
13	2				1134- 7410- 01 Bricka.....	Washer.....				
14	2				9699- 0104- 02 Bricka.....	Washer.....				
15	2				1134- 7477- 01 Hjulbygel.....	Wheel fork.....				
16	2				1134- 7769- 01 Hjul.....	Wheel.....				
17	2				9747- 1631- 02 Låsmutter.....	Lock nut.....				
18	2				9997- 1616- 02 Skruv.....	Screw.....				
19	1				1134- 7333- 01 Bygel.....	Clamp.....				
20	2				9959- 1025- 16 Skruv.....	Screw.....				
21	2				9739- 1031- 22 Mutter.....	Nut.....				
22	2				1134- 7002- 01 Fäste.....	Support.....				
22A	1				9501- 0500- 00 .Smörjnippel.....	.Grease joint.....				
23	4				9924- 1240- 16 Skruv.....	Screw.....				
24	4				9739- 1241- 22 Mutter.....	Nut.....				
25	1				1134- 7804- 01 Lyftram.....	Lift frame.....				
26	8				9997- 1045- 12 Skruv.....	Screw.....				
27	8				9747- 1031- 02 Låsmutter.....	Lock nut.....				
28	1				1134- 7435- 01 Spärrplatta.....	Catch.....				
29	2				9959- 1025- 16 Skruv.....	Screw.....				
30	2				9739- 1031- 22 Mutter.....	Nut.....				

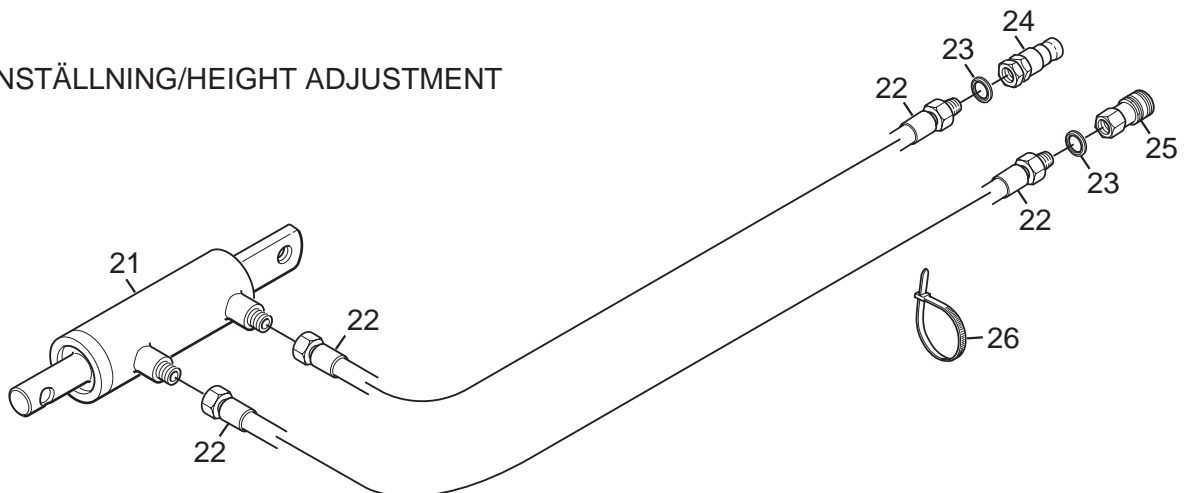


Utgåva Issue		Bildnr Picture No		TITAN KLIPPAGGREGAT 135B- 135H KÅPA			MOWER DECK 135B- 135H CASING		Sida Page 80	
Pos. Fig.	Antal/Quantity				Art nr Part No	Benämning	Description	Sats Kit	Anmärkning Notes	
	7813									
1	1				1134-6737-01	Kåpa	Mower deck casing		Not ill./ej ill.	
1A	7				1134-5595-01	.NitmutterRiveting nut.....			
2	2				1134-7046-01	Ledskena	Guide plate			
3	4				9959-1020-16	Skruv	Screw			
4	4				9739-1031-22	Mutter	Nut			
5	1				1134-6820-01	Slitskydd- vä	Wear protection- LH			
6	1				1134-6820-02	Slitskydd- hö	Wear protection- RH			
7	4				9959-1025-16	Skruv	Screw			
8	2				9898-1025-16	Skruv	Screw			
9	2				9739-1031-22	Mutter	Nut			
10	1				1134-6951-01	Skyddsram	Protection frame			
11	1				1134-7341-01	Rulle	Roller			
12	1				1134-0041-09	Hylsa	Collar			
13	2				1134-7341-02	Rulle	Roller			
14	2				1134-0041-08	Hylsa	Collar			
15	2				9898-1011-02	Skruv	Screw			
16	1				9997-1019-02	Skruv	Screw			
17	3				9739-1031-22	Mutter	Nut			
19	4				9598-0002-02	Låsnål	Pin lock			
20	2				1134-7400-01	Sprint	Pin			
21	2				9939-0835-16	Skruv	Screw			
22	2				9739-0831-22	Mutter	Nut			
23	1				1134-7334-01	Styrplåt	Guide plate			
24	2				9959-1020-16	Skruv	Screw			
25	2				9739-1031-22	Mutter	Nut			
26	6				9747-0831-02	Mutter	Lock nut			
27	2				1134-7256-01	Gummiskydd	Rubber guard			
28	6				9897-0825-16	Skruv	Screw			
29	2				1134-7398-01	Hålplåt	Hole plate			
30	1				1134-7252-01	Klaff- vä	Flap- LH			
31	1				1134-7252-02	Klaff- hö	Flap- RH			
32	1				1134-7254-01	Fäste- vä	Bracket- LH			
33	1				1134-7254-02	Fäste- hö	Bracket- RH			
34	4				9959-1020-16	Skruv	Screw			
35	6				9739-1031-22	Mutter	Nut			
36	4				9548-0016-00	Flänslager	Flange bearing			
37	2				9897-1025-16	Skruv	Screw			

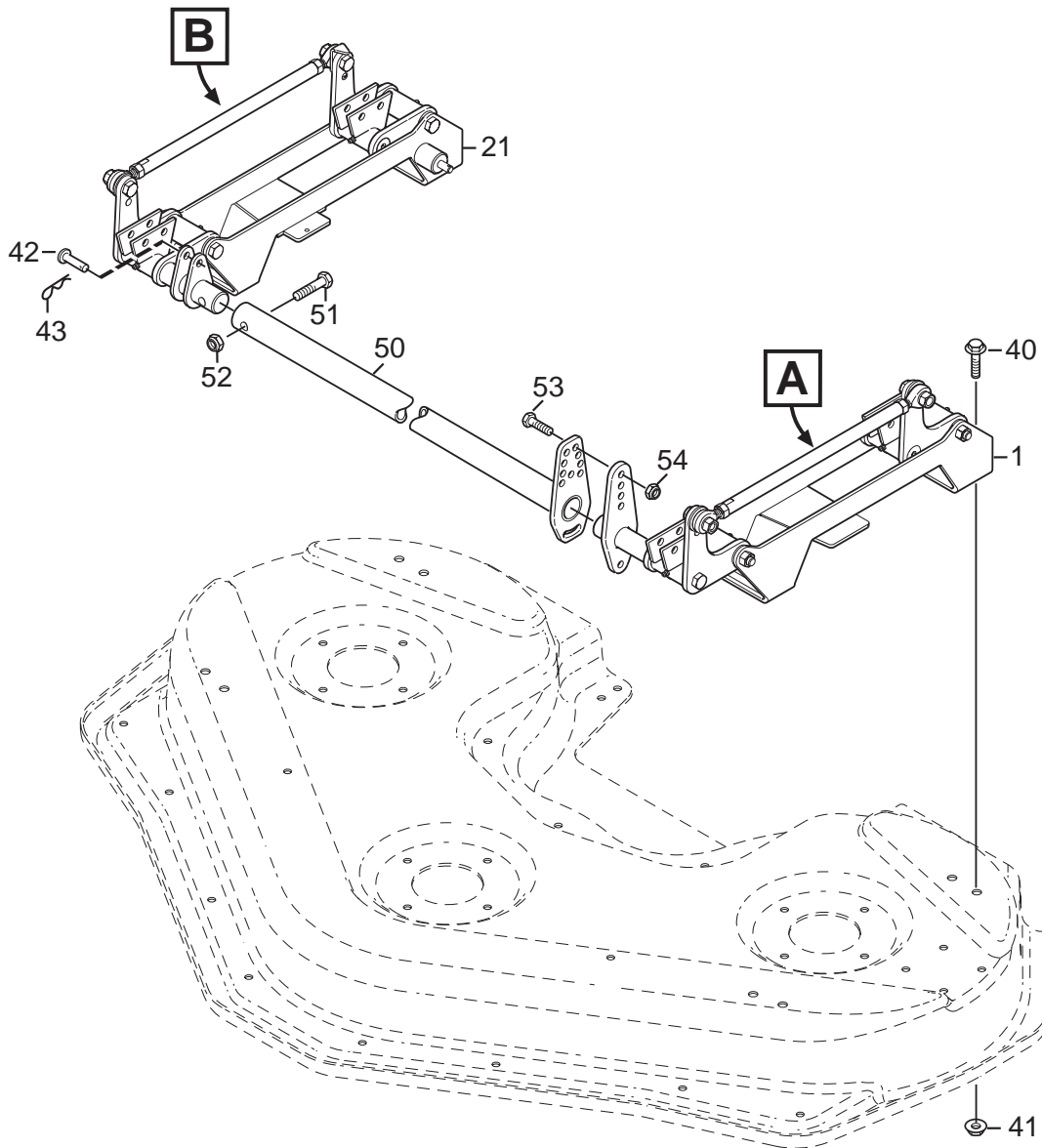
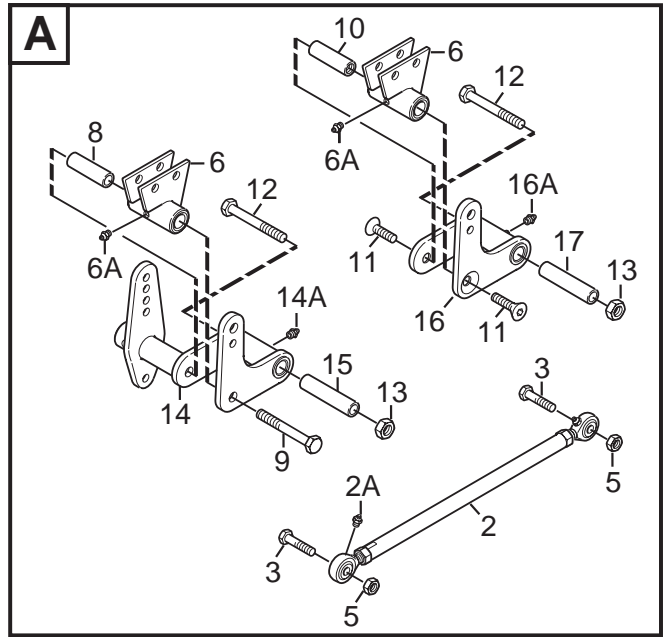
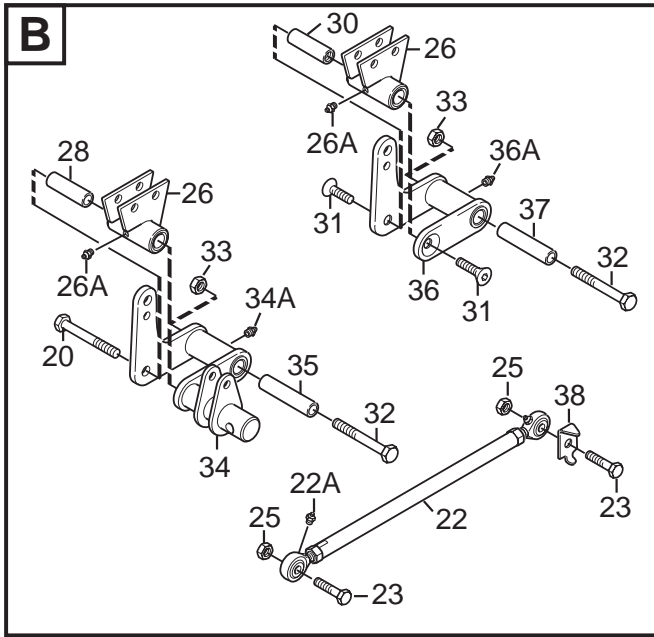
KLAFFAR/FLAPS



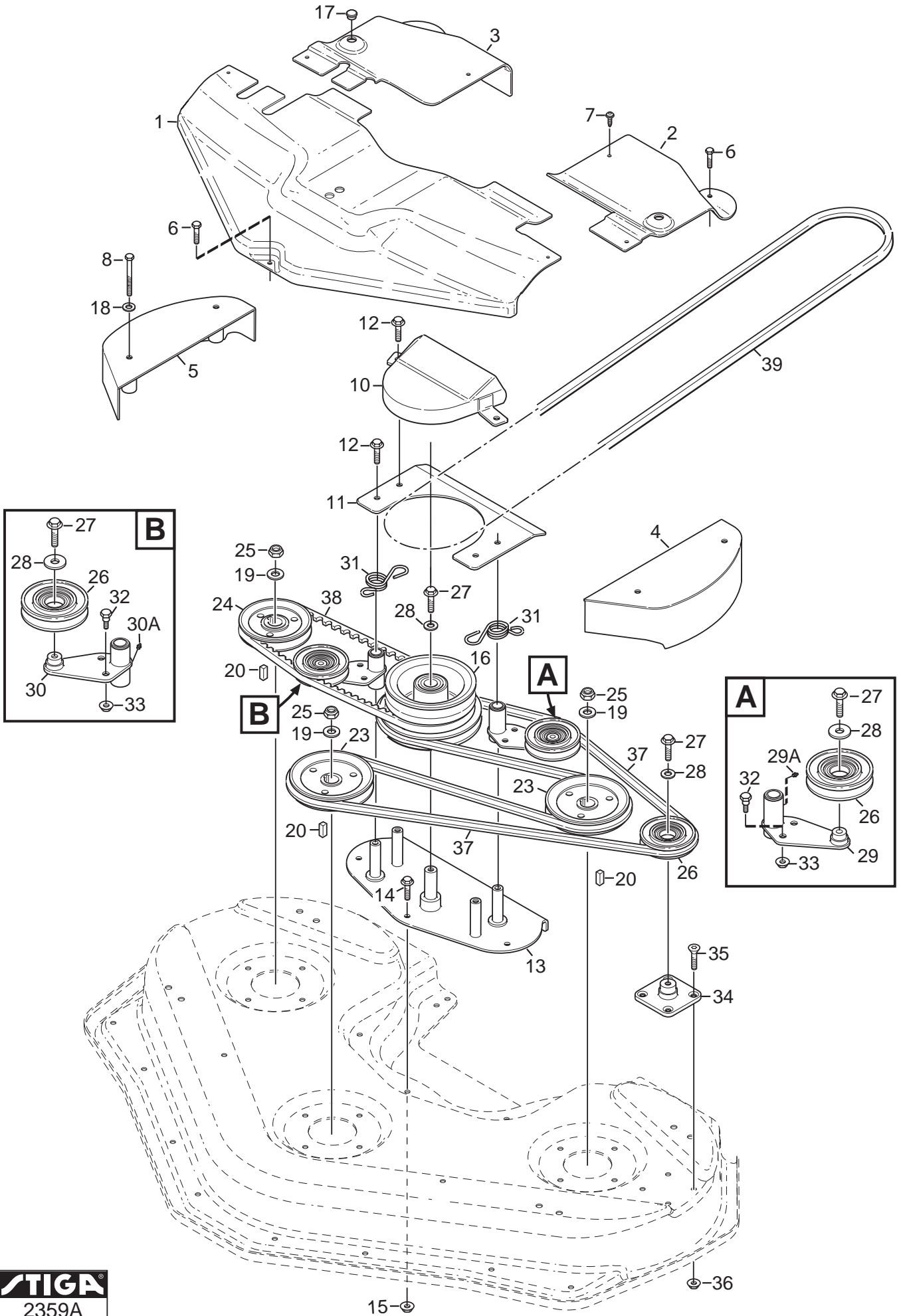
HÖJDINSTÄLLNING/HEIGHT ADJUSTMENT



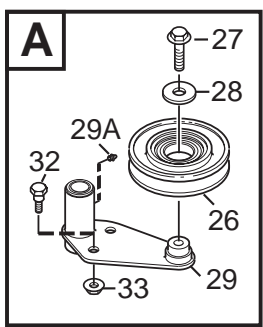
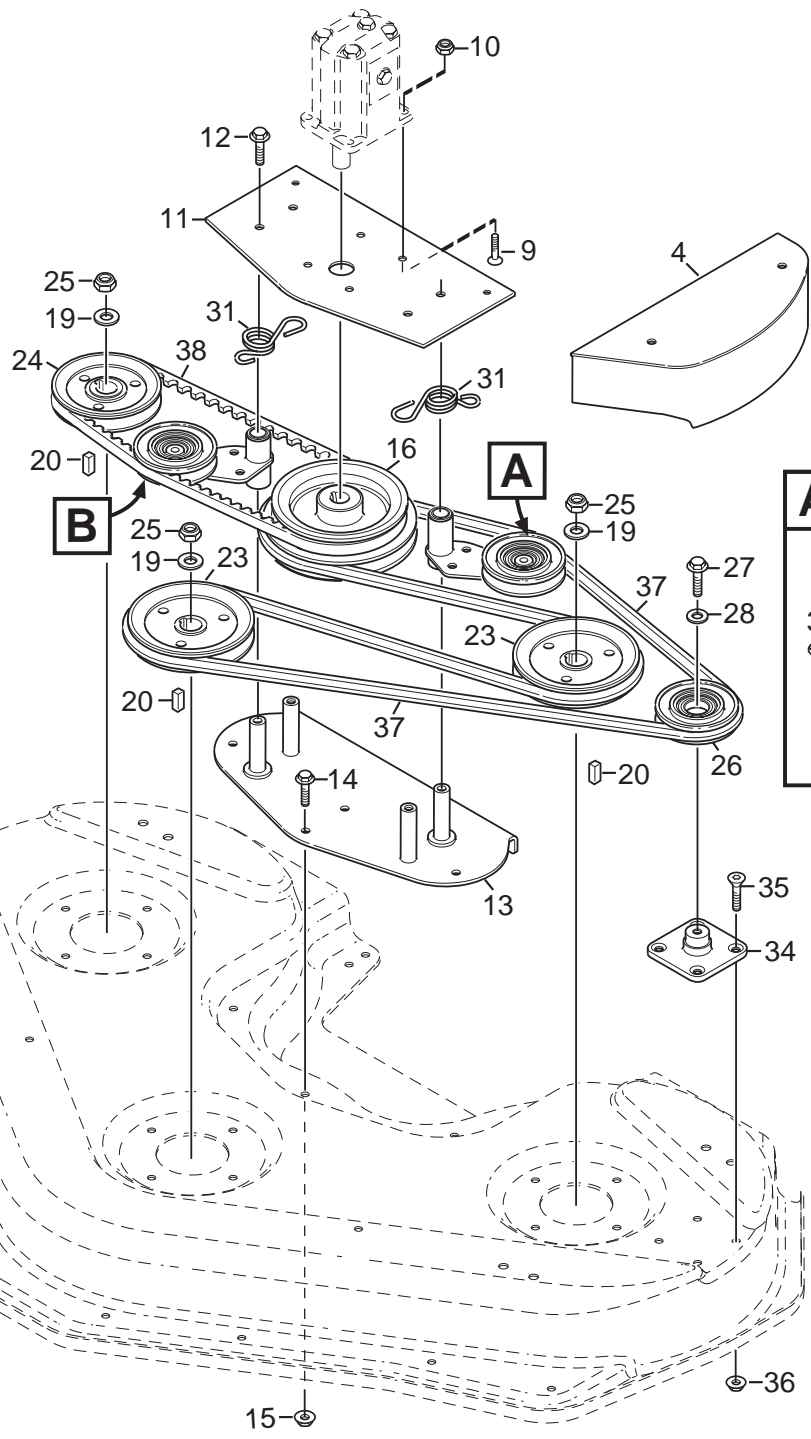
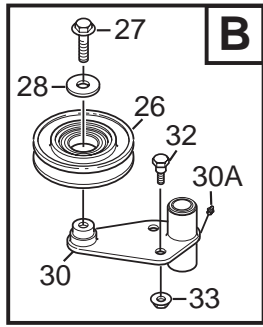
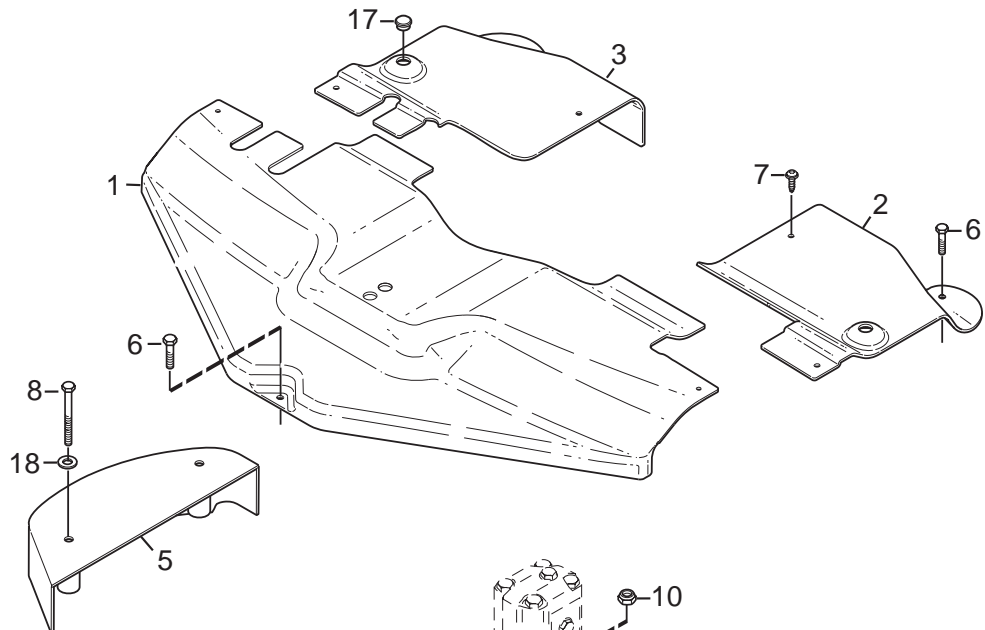
Utgåva Issue		Bildnr Picture No		TITAN KLIPPAGGREGAT 135B- 135H REGLAGEHYDRAULIK		MOWER DECK 135B- 135H CONTROL HYDRAULICS		Sida Page 82	
Pos. Fig.	Antal/Quantity				Art nr Part No	Benämning	Description	Sats Kit	Anmärkning Notes
	7813 7823								
1	2				1134- 7052- 01	Hydraulcylinder	Hydraulic cylinder		
2	1				1134- 7332- 01	Fördelningsblock	Distribution block		
3	2				1134- 4948- 01	Tredobricka	Seal washer		
4	1				1134- 6042- 01	Snabbkoppling- hane	Quick coupling- male		
5	1				1134- 7172- 01	Snabbkoppling- hona	Quick coupling- female		
6	2				1134- 7287- 01	Hydraulslang 1/4"	Hydraulic tube 1/4"		
7	6				1134- 7165- 01	Adapter	Hydraulic connector		
8	1				1134- 7288- 01	Hydraulslang 1/4"	Hydraulic tube 1/4"		
9	1				1134- 7290- 01	Hydraulslang 1/4"	Hydraulic tube 1/4"		
10	1				1134- 7289- 01	Hydraulslang 1/4"	Hydraulic tube 1/4"		
11	1				1134- 7291- 01	Hydraulslang 1/4"	Hydraulic tube 1/4"		
12	1				1134- 7627- 01	Slangskydd	Hose guard		
14	1				9579- 0017- 01	Buntband	Cable tie		
21	1				1134- 7052- 01	Hydraulcylinder	Hydraulic cylinder		
22	2				1134- 7292- 01	Hydraulslang 1/4"	Hydraulic tube 1/4"		
23	2				1134- 4948- 01	Tredobricka	Seal washer		
24	1				1134- 6042- 01	Snabbkoppling- hane	Quick coupling- male		
25	1				1134- 7172- 01	Snabbkoppling- hona	Quick coupling- female		
26	1				9579- 0016- 01	Buntband- gult	Cable tie- yellow		



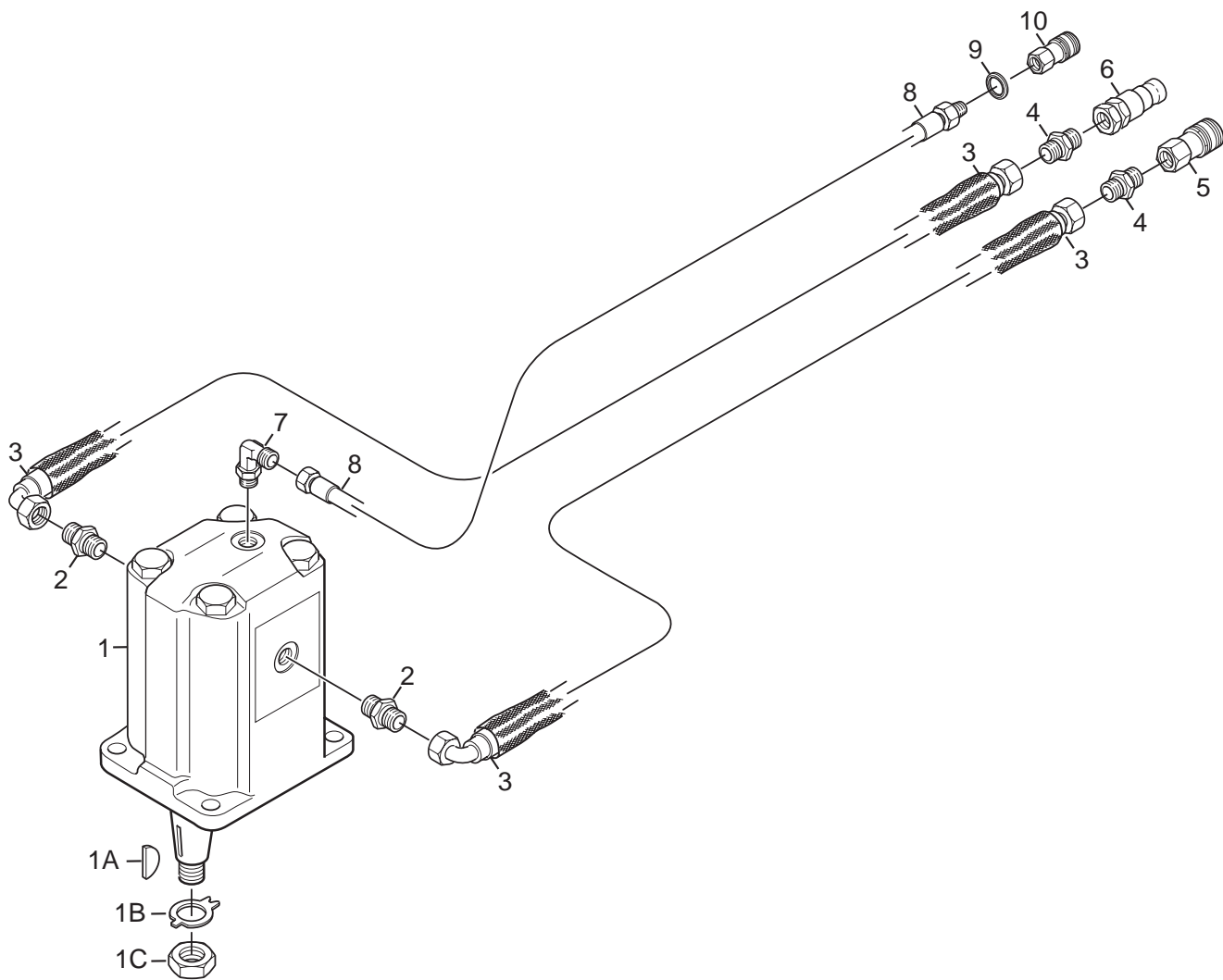
Utgåva Issue		Bildnr Picture No		TITAN KLIPPAGGREGAT 135B- 135H HÖJDINSTÄLLNING		MOWER DECK 135B- 135H HEIGHT ADJUST		Sida Page	
2009- 15		2354A						84	
Pos. Fig.	Antal/Quantity				Art nr Part No	Benämning	Description	Sats Kit	Anmärkning Notes
	7813								
7823									
1	1				1134- 7800- 01 Fäste- vä kpl.....	Attachment- LH assy			Pos 2 - 17 incl.
2	1				1134- 6904- 01 .Parallellstag kplParallel rod			
2A	2				9501- 0500- 00 ..SmörjnippelGrease joint.....			
3	2				9997- 1240- 16 SkruvScrew			
5	2				9747- 1231- 02 .LåsmutterLock nut.....			
6	2				1134- 6907- 01 .Fäste kplBracket assy.....			
6A	1				9501- 0500- 00 ..SmörjnippelGrease joint.....			
8	1				1134- 6900- 02 .AxelAxle		L = 63	
9	1				9997- 1211- 02 SkruvScrew			
10	1				1134- 6900- 03 .Axel (gängad)Axle (threaded)		L = 63	
11	2				9924- 1235- 19 SkruvScrew			
12	2				9997- 1211- 02 SkruvScrew			
13	2				9747- 1231- 02 .Mutter.....	.Nut			
14	1				1134- 7799- 01 .PivotplattaPivot plate			
14A	1				9501- 0500- 00 ..SmörjnippelGrease joint.....			
15	1				1134- 6900- 01 .AxelAxle		L = 84	
16	1				1134- 6859- 01 .PivotplattaPivot plate			
16A	1				9501- 0500- 00 ..SmörjnippelGrease joint.....			
17	1				1134- 6900- 01 .AxelAxle		L = 84	
21	1				1134- 7651- 01 Fäste- hö kpl	Attachment- RH assy.....		Pos 22 - 38 incl.	
22	1				1134- 6904- 01 .Parallellstag kplParallel rod			
22A	2				9501- 0500- 00 ..SmörjnippelGrease joint.....			
23	2				9997- 1240- 16 SkruvScrew			
25	2				9747- 1231- 02 .LåsmutterLock nut.....			
26	2				1134- 6907- 01 .Fäste kplBracket assy.....			
26A	1				9501- 0500- 00 ..SmörjnippelGrease joint.....			
28	1				1134- 6900- 02 .AxelAxle		L = 63	
29	1				9997- 1211- 02 SkruvScrew			
30	1				1134- 6900- 03 .Axel (gängad)Axle (threaded)		L = 63	
31	2				9924- 1235- 19 SkruvScrew			
32	2				9997- 1211- 02 SkruvScrew			
33	2				9747- 1231- 02 .Mutter.....	.Nut			
34	1				1134- 7650- 01 .PivotplattaPivot plate			
34A	1				9501- 0500- 00 ..SmörjnippelGrease joint.....			
35	1				1134- 6900- 01 .AxelAxle		L = 84	
36	1				1134- 6860- 01 .PivotplattaPivot plate			
36A	1				9501- 0500- 00 ..SmörjnippelGrease joint.....			
37	1				1134- 6900- 01 .AxelAxle		L = 84	
38	1				1134- 7239- 01 .PilArrow			
40	8				9997- 1230- 16 SkruvScrew			
41	8				9739- 1241- 22 Mutter.....	.Nut			
42	2				1134- 7400- 01 Sprint.....	.Pin			
43	2				9598- 0002- 02 LåsnålPin lock			
50	1				1134- 7797- 01 Framaxel.....	.Front axle			
51	1				9997- 1255- 12 SkruvScrew			
52	1				9747- 1231- 02 LåsmutterLock nut.....			
53	2				9997- 1030- 16 SkruvScrew			
54	2				9747- 1031- 02 Mutter.....	.Nut			



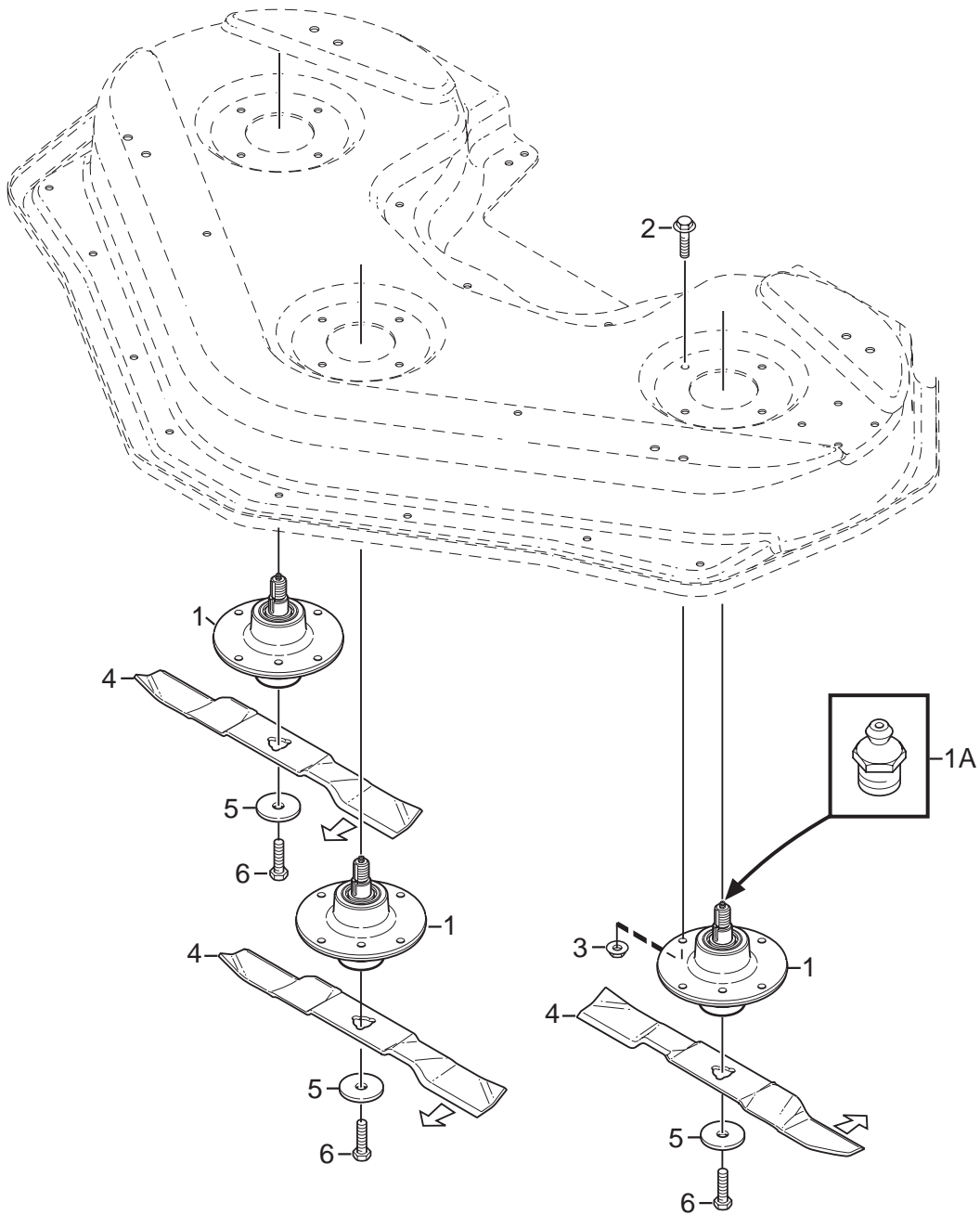
Utgåva Issue		Bildnr Picture No		TITAN KLIPPAGGREGAT 135B TRANSMISSION		MOWER DECK 135B TRANSMISSION		Sida Page	
2009- 15		2359A						86	
Pos. Fig.	Antal/Quantity				Art nr Part No	Benämning	Description	Sats Kit	Anmärkning Notes
	7813								
1	1				1134- 7406- 01	Transmissionskåpa	Transmission cover		
2	1				1134- 7407- 01	Transmissionskåpa- vä	Transm.cover- LH		
3	1				1134- 7408- 01	Transmissionskåpa- hö	Transm.cover- RH		
4	1				1134- 7280- 01	Transmissionskåpa- vä	Transm.cover- LH		
5	1				1134- 7280- 02	Transmissionskåpa- hö	Transm.cover- RH		
6	5				9997- 0820- 16	Skruv	Screw		
7	2				9893- 0616- 16	Skruv	Screw		
8	4				9997- 0890- 12	Skruv	Screw		
10	1				1134- 7478- 01	Remstyrning	Belt guide		
11	1				1134- 7319- 01	Styrplåt	Guide plate		
12	4				9959- 1025- 16	Skruv	Screw		
13	1				1134- 7069- 01	Hylla	Plate		
14	3				9959- 1020- 16	Skruv	Screw		
15	3				9739- 1031- 22	Mutter	Nut		
16	1				1134- 7823- 01	Remskiva	Belt pulley		
17	4				1134- 7518- 01	Plastplugg	Plastic plug		
18	4				9699- 0028- 02	Bricka	Washer		
19	3				1134- 7411- 01	Bricka	Washer		
20	3				9600- 0170- 00	Plattkil	Flat key		
23	2				1134- 7814- 01	Remskiva	Belt pulley		Ø = 164
24	1				1134- 7815- 01	Remskiva	Belt pulley		Ø = 149
25	3				9747- 2031- 02	Mutter	Nut		
26	3				1134- 7124- 01	Spännrulle	Tension roller		Ø = 109
27	4				9959- 1025- 16	Skruv	Screw		
28	4				1134- 5406- 01	Bricka	Washer		
29	1				1134- 7302- 01	Remspännare- vä	Belt tensioner- LH		
29A	1				9501- 0500- 00	.SmörjnippelGrease joint		
30	1				1134- 7303- 01	Remspännare- hö	Belt tensioner- RH		
30A	1				9501- 0500- 00	.SmörjnippelGrease joint		
31	2				1134- 7393- 01	Fjäder	Spring		
32	2				1134- 0240- 01	Ansatssskruv	Shoulder screw		
33	2				9739- 0831- 22	Mutter	Nut		
34	1				1134- 7307- 01	Platta	Plate		
35	4				9924- 1025- 16	Skruv	Screw		
36	4				9739- 1031- 22	Mutter	Nut		
37	1				9585- 0178- 01	Kilrem (dubbel)	V- belt (double)		
38	1				9585- 0182- 01	Kilrem	V- belt		
39	1				9585- 0180- 01	Kilrem	V- belt		



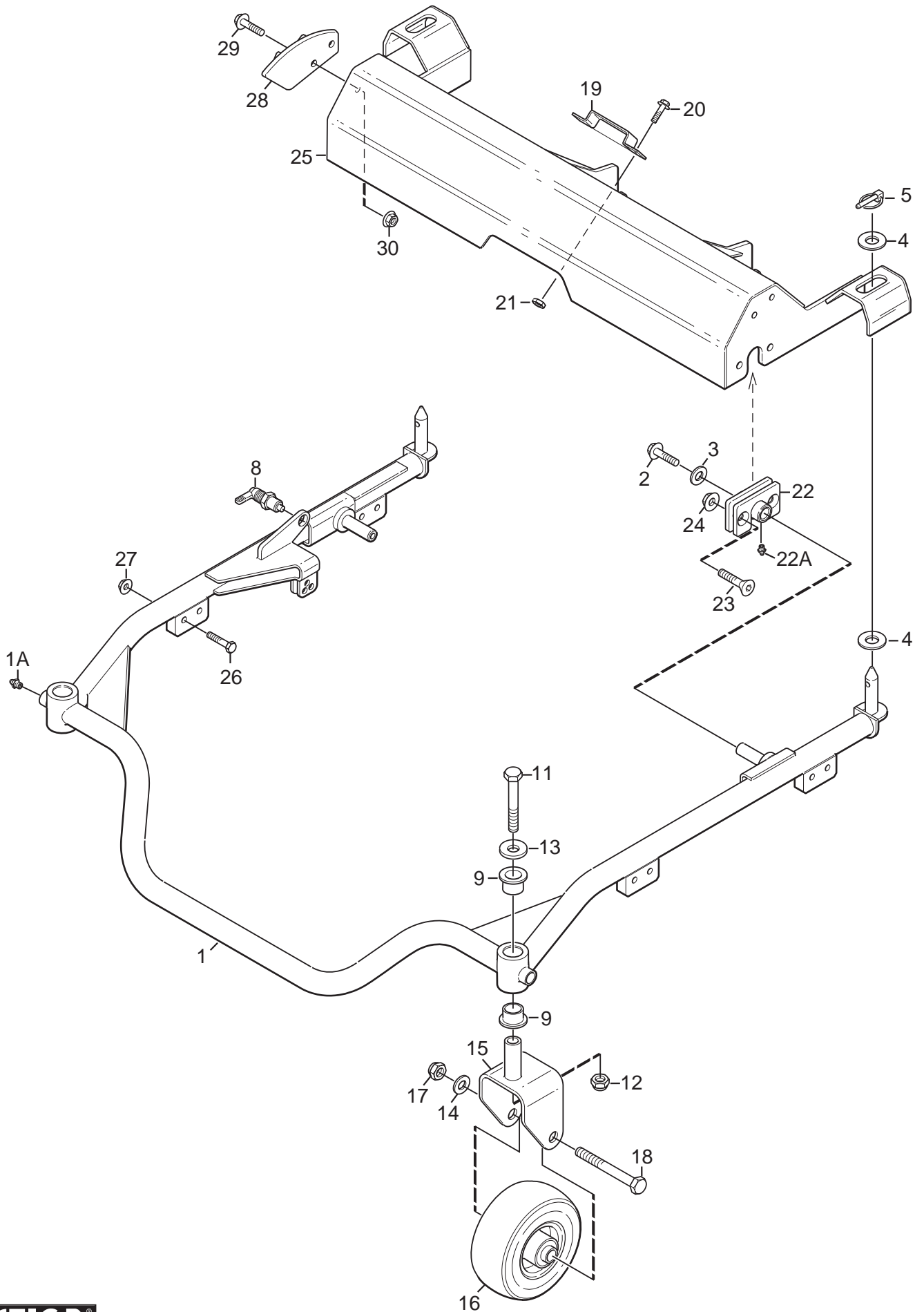
Utgåva Issue		Bildnr Picture No		TITAN KLIPPAGGREGAT 135H TRANSMISSION		MOWER DECK 135H TRANSMISSION		Sida Page	
Pos. Fig.	Antal/Quantity				Art nr Part No	Benämning	Description	Sats Kit	Anmärkning Notes
	7823								
1	1				1134-7406-01	Transmissionskåpa	Transmission cover		
2	1				1134-7407-01	Transmissionskåpa- vä	Transm.cover- LH		
3	1				1134-7408-01	Transmissionskåpa- hö	Transm.cover- RH		
4	1				1134-7280-01	Transmissionskåpa- vä	Transm.cover- LH		
5	1				1134-7280-02	Transmissionskåpa- hö	Transm.cover- RH		
6	5				9997-0820-16	Skruv	Screw		
7	2				9893-0616-16	Skruv	Screw		
8	4				9997-0890-12	Skruv	Screw		
9	4				9924-0830-16	Skruv	Screw		
10	4				9747-0831-02	Mutter	Lock nut		
11	1				1134-7062-01	Motorfäste	Motor plate		
12	4				9959-1025-16	Skruv	Screw		
13	1				1134-7068-01	Hylla	Plate		
14	3				9959-1020-16	Skruv	Screw		
15	3				9739-1031-22	Mutter	Nut		
16	1				1134-6979-01	Remskiva	Belt pulley		
17	4				1134-7518-01	Plastplugg	Plastic plug		
18	4				9699-0028-02	Bricka	Washer		
19	3				1134-7411-01	Bricka	Washer		
20	3				9600-0170-00	Plattkil	Flat key		
23	2				1134-7814-01	Remskiva	Belt pulley		Ø = 164
24	1				1134-7815-01	Remskiva	Belt pulley		Ø = 149
25	3				9747-2031-02	Mutter	Nut		
26	3				1134-7124-01	Spännrulle	Tension roller		Ø = 109
27	3				9959-1025-16	Skruv	Screw		
28	3				1134-5406-01	Bricka	Washer		
29	1				1134-7302-01	Remspännare- vä	Belt tensioner- LH		
29A	1				9501-0500-00	.SmörjnippelGrease joint		
30	1				1134-7303-01	Remspännare- hö	Belt tensioner- RH		
30A	1				9501-0500-00	.SmörjnippelGrease joint		
31	2				1134-7393-01	Fjäder	Spring		
32	2				1134-0240-01	Ansatssskruv	Shoulder screw		
33	2				9739-0831-22	Mutter	Nut		
34	1				1134-7307-01	Platta	Plate		
35	4				9924-1025-16	Skruv	Screw		
36	4				9739-1031-22	Mutter	Nut		
37	1				9585-0178-01	Kilrem (dubbel)	V- belt (double)		
38	1				9585-0182-01	Kilrem	V- belt		



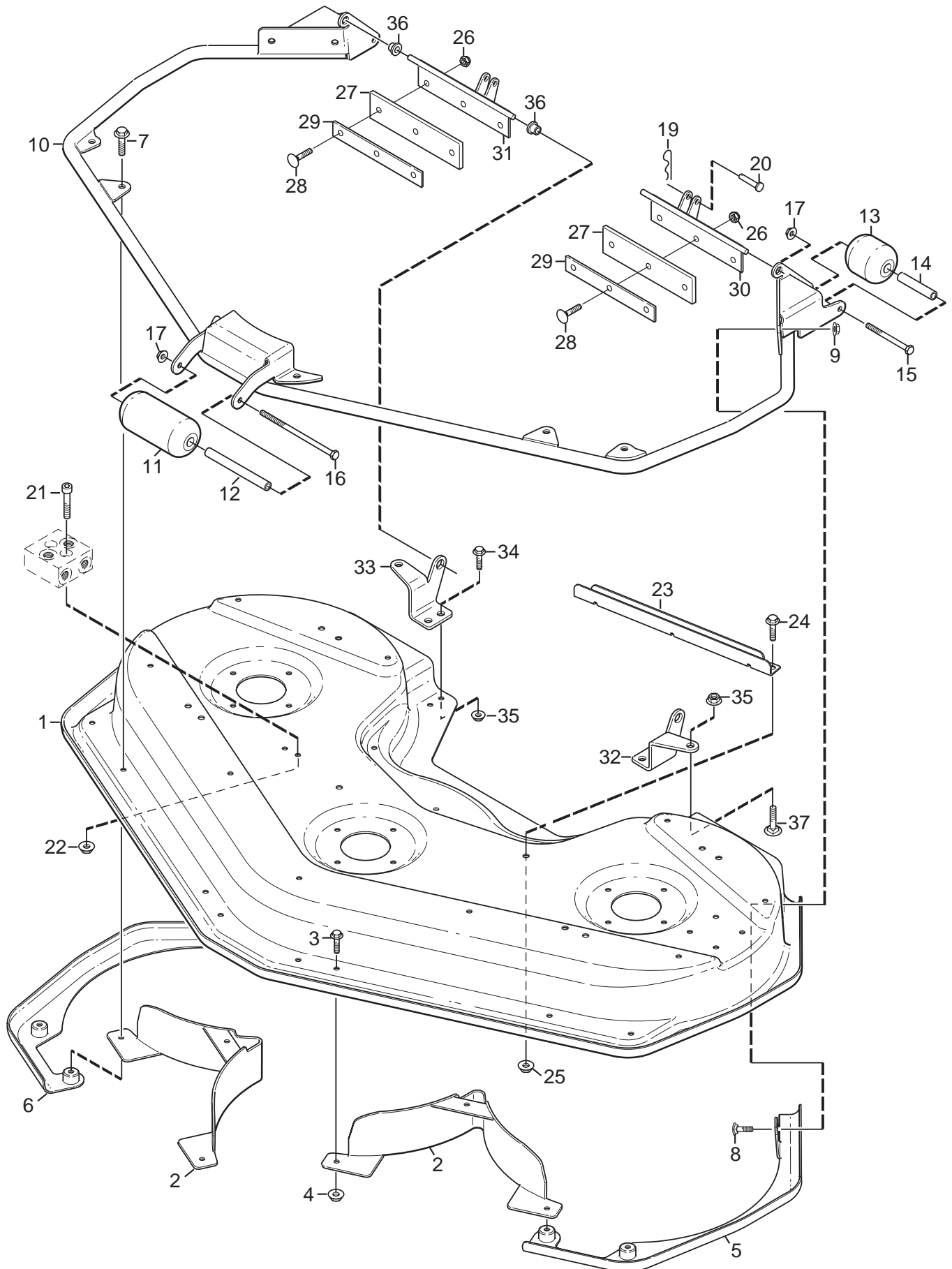
Utgåva Issue		Bildnr Picture No		TITAN KLIPPAGGREGAT 135H MOTORHYDRAULIK		MOWER DECK 135H MOTOR HYDRAULIC		Sida Page 90	
Pos. Fig.	Antal/Quantity				Art nr Part No	Benämning	Description	Sats Kit	Anmärkning Notes
	7823								
1	1				1134-7329-01	Hydraulmotor	Hydraulic motor		
1A	1				1139-0009-01	.KilKey		
1B	1				1139-0007-01	.BrickaWasher		
1C	1				1139-0008-01	.MutterNut		
2	2				1134-7315-01	Adapter	Hydraulic connector		
3	2				1134-7630-01	Hydraulslang 1/2"	Hydraulic tube 1/2"		
4	2				1134-7161-01	Adapter	Hydraulic connector		
5	1				1134-7182-01	Snabbkoppling- hona	Quick coupling- female		
6	1				1134-7181-01	Snabbkoppling- hane	Quick coupling- male		
7	1				1134-5806-01	Vinkeladapter	Angle coupling		
8	1				1134-7294-01	Hydraulslang 1/4"	Hydraulic tube 1/4"		
9	1				1134-4948-01	Tredobricka	Seal washer		
10	1				1134-7172-01	Snabbkoppling- hona	Quick coupling- female		



Utgåva Issue		Bildnr Picture No		TITAN KLIPPAGGREGAT 135B- 135H KNIVAR		MOWER DECK 135B- 135H BLADES		Sida Page 92	
Pos. Fig.	Antal/Quantity				Art nr Part No	Benämning	Description	Sats Kit	Anmärkning Notes
	7813 7823								
1	3				1134-6744-01	Lagerbox kpl.....	Bearing box assy.....		Kit 2+1/sats 2+1 st
1A	1				9501-0500-00	.Smörjnippel.....	.Grease joint.....		
2	12				9959-1025-16	Skruv.....	Screw.....		
3	12				9739-1031-22	Mutter.....	Nut.....		
4	1				1134-9131-01	Knivsats.....	Blade kit.....		
5	3				1134-6211-01	Knivbricka.....	Blade washer.....		
6	3				9997-1060-12	Skruv.....	Screw.....		

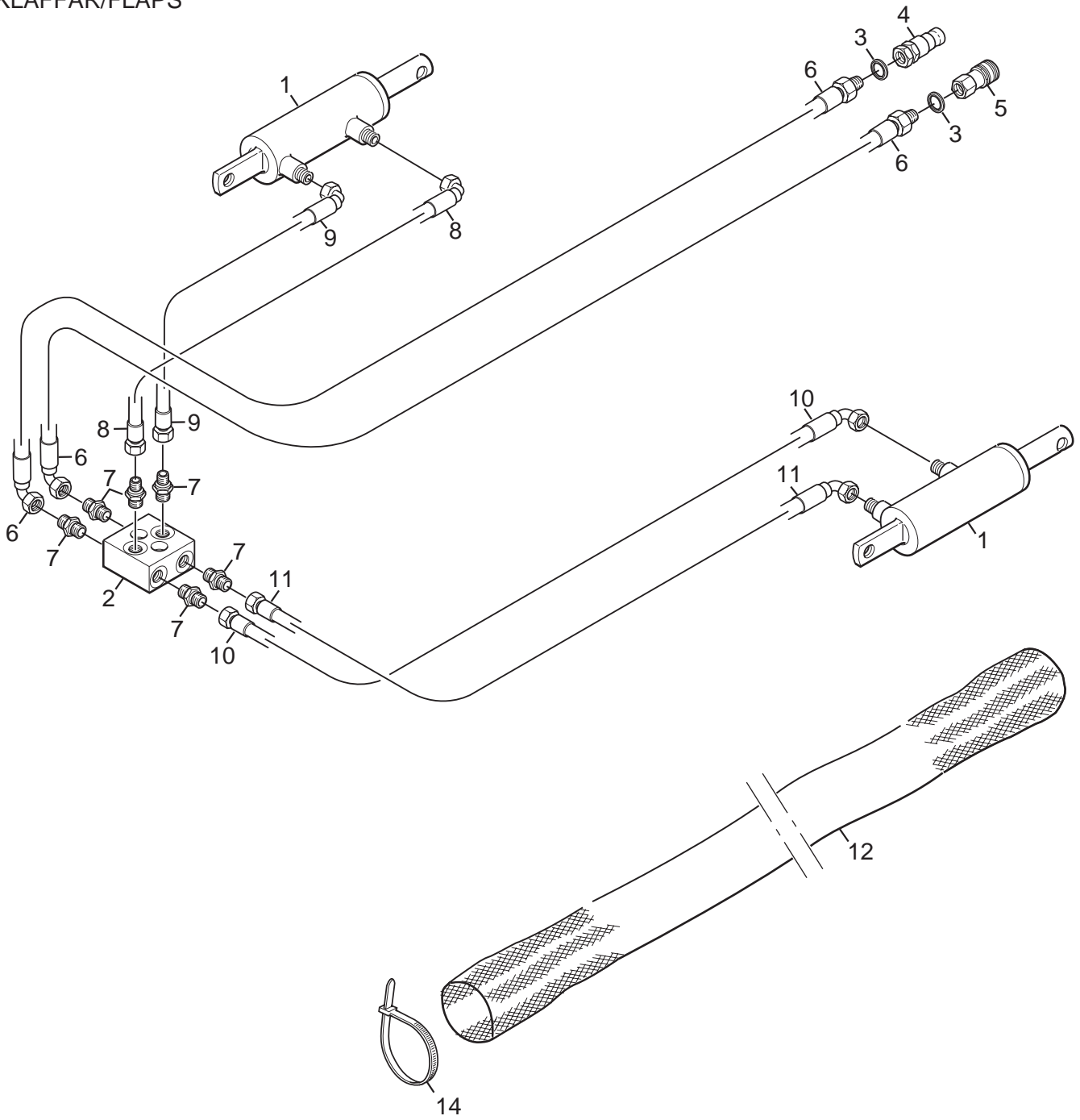


Utgåva Issue		Bildnr Picture No		TITAN KLIPPAGGREGAT 155B- 155H RAM		MOWER DECK 155B- 155H FRAME		Sida Page 94	
Pos. Fig.	Antal/Quantity				Art nr Part No	Benämning	Description	Sats Kit	Anmärkning Notes
	7815								
1	1				1134-7840-01 Ram.....	Frame.....			
1A	2				9501-0500-00 .Smörjnippel.....	.Grease joint.....			
2	2				9959-1025-16 Skruv.....	Screw.....			
3	2				1134-5406-01 Bricka.....	Washer.....			
4	10				1134-7411-01 Bricka.....	Washer.....			
5	2				1134-7345-01 Låssprint.....	Locking pin.....			
8	1				1134-7330-01 Spärrbult.....	Catch bolt.....			
9	4				1134-5686-01 Lagerbussning.....	Bearing bush.....			
11	2				9997-1211-02 Skruv.....	Screw.....			
12	2				9747-1231-02 Låsmutter.....	Lock nut.....			
13	2				1134-7410-01 Bricka.....	Washer.....			
14	2				9699-0104-02 Bricka.....	Washer.....			
15	2				1134-7477-01 Hjulbygel.....	Wheel fork.....			
16	2				1134-7769-01 Hjul.....	Wheel.....			
17	2				9747-1631-02 Låsmutter.....	Lock nut.....			
18	2				9997-1616-02 Skruv.....	Screw.....			
19	1				1134-7333-01 Bygel.....	Clamp.....			
20	2				9959-1025-16 Skruv.....	Screw.....			
21	2				9739-1031-22 Mutter.....	Nut.....			
22	2				1134-7002-01 Fäste.....	Support.....			
22A	1				9501-0500-00 .Smörjnippel.....	.Grease joint.....			
23	4				9924-1240-16 Skruv.....	Screw.....			
24	4				9739-1241-22 Mutter.....	Nut.....			
25	1				1134-7804-01 Lyftram.....	Lift frame.....			
26	8				9997-1045-12 Skruv.....	Screw.....			
27	8				9747-1031-02 Låsmutter.....	Lock nut.....			
28	1				1134-7435-01 Spärrplatta.....	Catch.....			
29	2				9959-1025-16 Skruv.....	Screw.....			
30	2				9739-1031-22 Mutter.....	Nut.....			

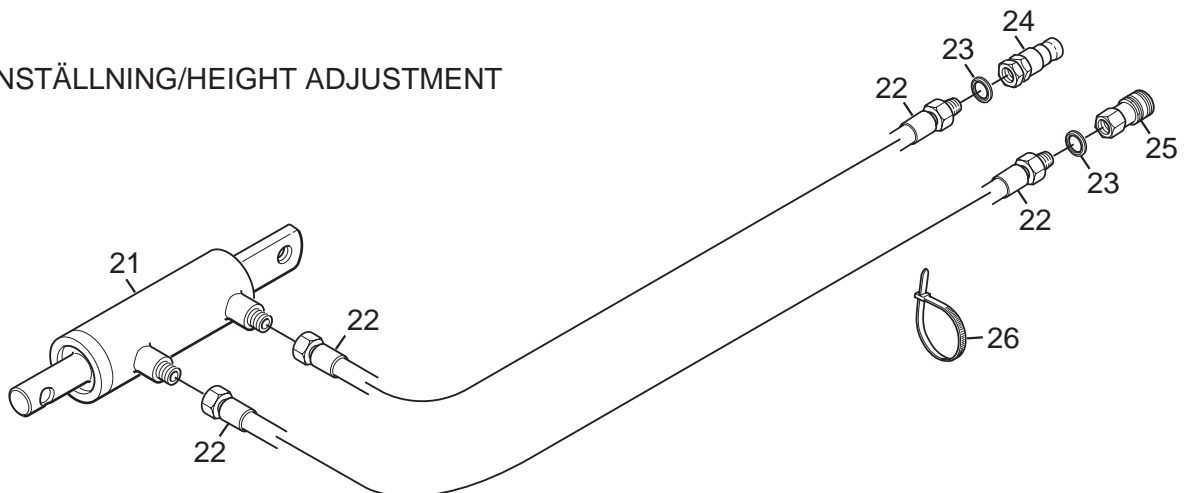


Utgåva Issue		Bildnr Picture No		TITAN KLIPPAGGREGAT 155B- 155H KÅPA		MOWER DECK 155B- 155H CASING		Sida Page 96	
Pos. Fig.	Antal/Quantity				Art nr Part No	Benämning	Description	Sats Kit	Anmärkning Notes
	7815								
1	1				1134-6715-01	Kåpa	Mower deck casing		Not ill./ej ill.
1A	7				1134-5595-01	.NitmutterRiveting nut.....		
2	2				1134-7045-01	Ledskena	Guide plate		
3	4				9959-1020-16	Skruv	Screw		
4	4				9739-1031-22	Mutter	Nut		
5	1				1134-6758-01	Slitskydd- vä	Wear protection- LH		
6	1				1134-6758-02	Slitskydd- hö	Wear protection- RH		
7	4				9959-1025-16	Skruv	Screw		
8	2				9898-1025-16	Skruv	Screw		
9	2				9739-1031-22	Mutter	Nut		
10	1				1134-6949-01	Skyddsram	Protection frame		
11	1				1134-7341-01	Rulle	Roller		
12	1				1134-0041-09	Hylsa	Collar		
13	2				1134-7341-02	Rulle	Roller		
14	2				1134-0041-08	Hylsa	Collar		
15	2				9898-1011-02	Skruv	Screw		
16	1				9997-1019-02	Skruv	Screw		
17	3				9739-1031-22	Mutter	Nut		
19	4				9598-0002-02	Låsnål	Pin lock		
20	2				1134-7400-01	Sprint	Pin		
21	2				9939-0835-16	Skruv	Screw		
22	2				9739-0831-22	Mutter	Nut		
23	1				1134-7334-01	Styrplåt	Guide plate		
24	2				9959-1020-16	Skruv	Screw		
25	2				9739-1031-22	Mutter	Nut		
26	6				9747-0831-02	Mutter	Lock nut		
27	2				1134-7256-01	Gummiskydd	Rubber guard		
28	6				9897-0825-16	Skruv	Screw		
29	2				1134-7398-01	Hålplåt	Hole plate		
30	1				1134-7250-01	Klaff- vä	Flap- LH		
31	1				1134-7250-02	Klaff- hö	Flap- RH		
32	1				1134-7254-01	Fäste- vä	Bracket- LH		
33	1				1134-7254-02	Fäste- hö	Bracket- RH		
34	4				9959-1020-16	Skruv	Screw		
35	6				9739-1031-22	Mutter	Nut		
36	4				9548-0016-00	Flänslager	Flange bearing		
37	2				9897-1025-16	Skruv	Screw		

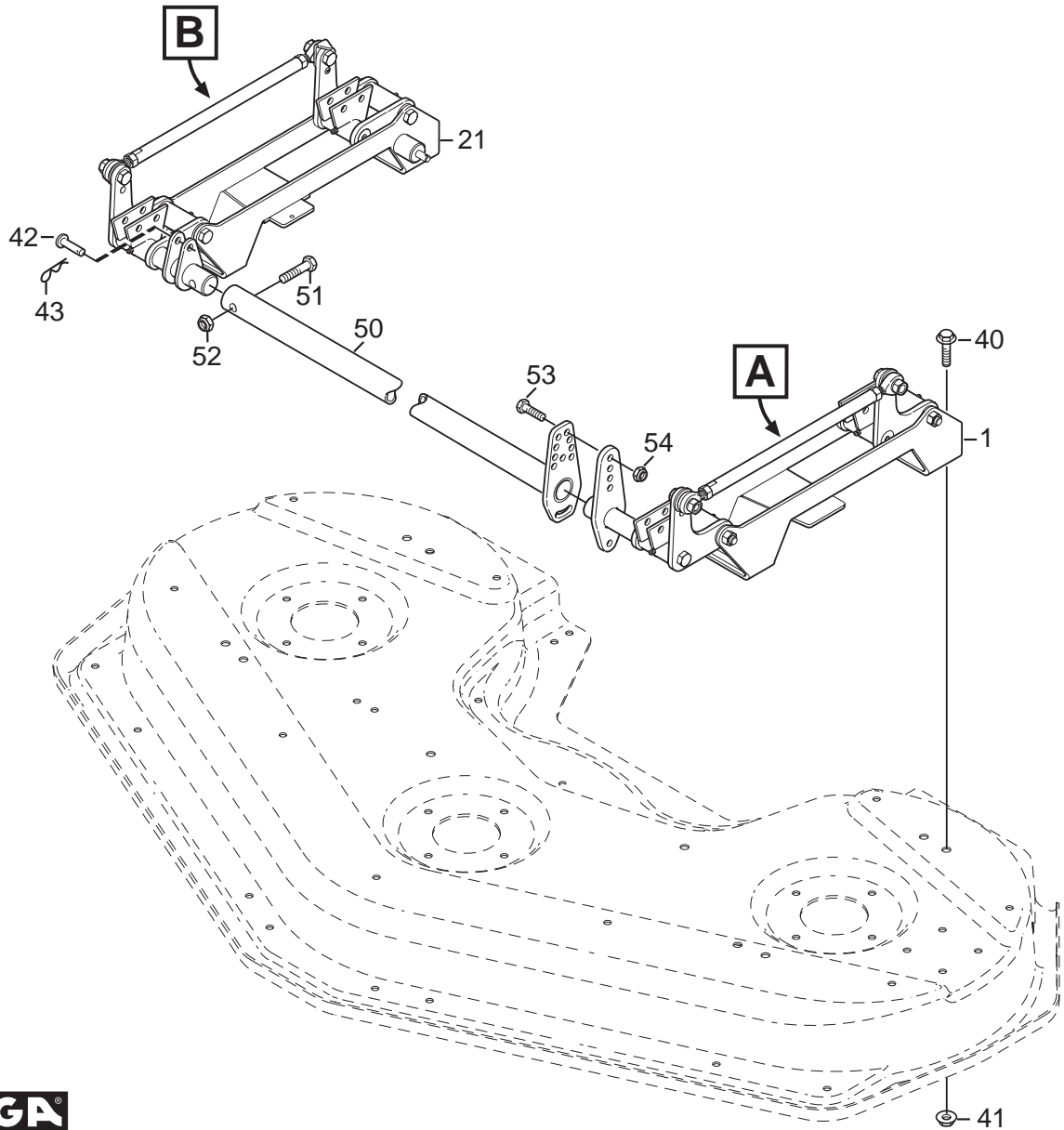
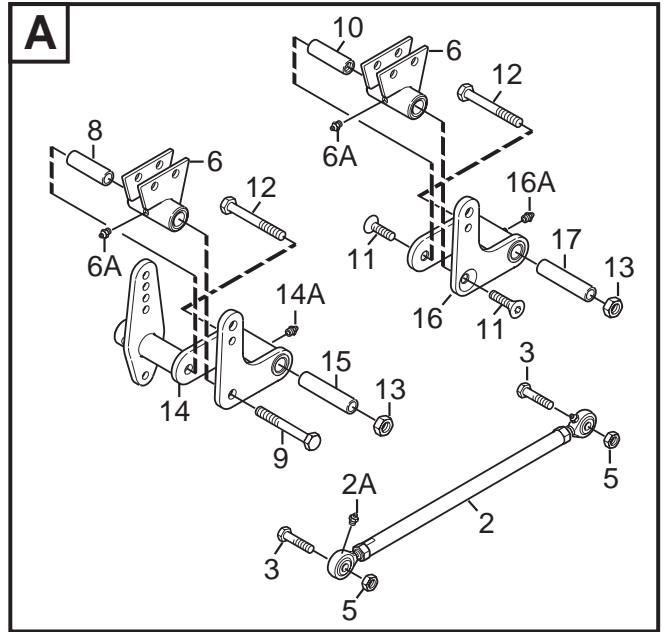
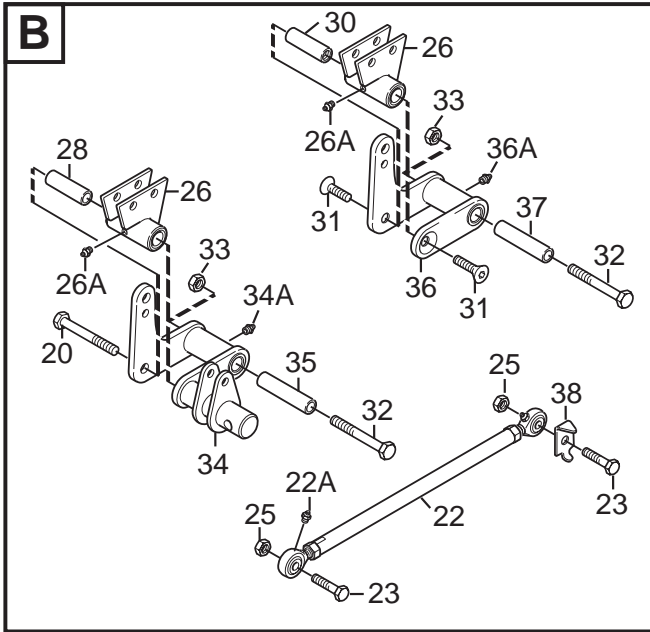
KLAFFAR/FLAPS



HÖJDINSTÄLLNING/HEIGHT ADJUSTMENT

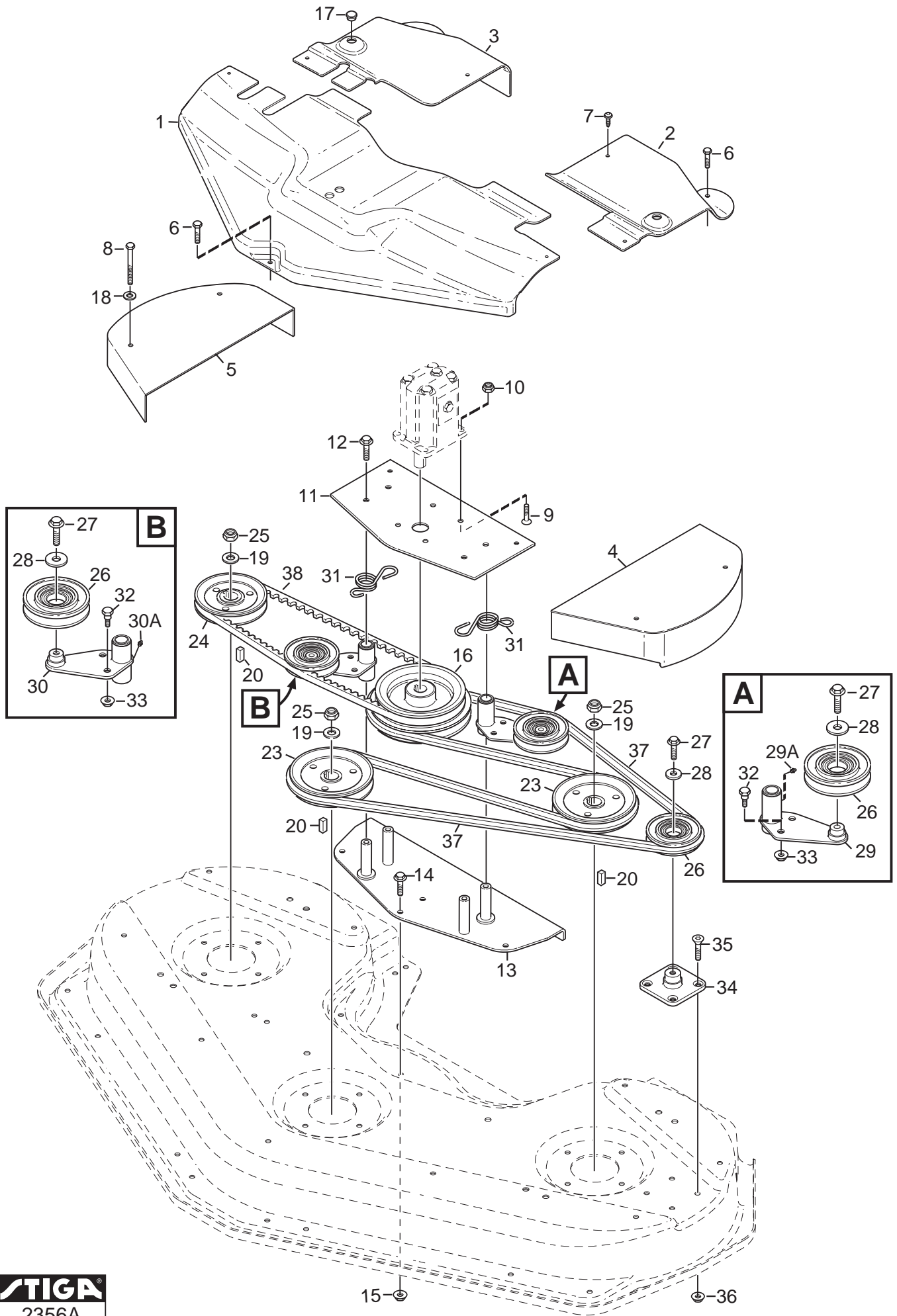


Utgåva Issue 2009- 15		Bildnr Picture No 2361		TITAN KLIPPAGGREGAT 155B- 155H REGLAGEHYDRAULIK		MOWER DECK 155B- 155H CONTROL HYDRAULICS		Sida Page 98	
Pos. Fig.	Antal/Quantity				Art nr Part No	Benämning	Description	Sats Kit	Anmärkning Notes
	7815								
7825									
1	2				1134- 7052- 01	Hydraulcylinder	Hydraulic cylinder		
2	1				1134- 7332- 01	Fördelningsblock	Distribution block		
3	2				1134- 4948- 01	Tredobricka	Seal washer		
4	1				1134- 6042- 01	Snabbkoppling- hane	Quick coupling- male		
5	1				1134- 7172- 01	Snabbkoppling- hona	Quick coupling- female		
6	2				1134- 7287- 01	Hydraulslang 1/4"	Hydraulic tube 1/4"		
7	6				1134- 7165- 01	Adapter	Hydraulic connector		
8	1				1134- 7288- 01	Hydraulslang 1/4"	Hydraulic tube 1/4"		
9	1				1134- 7290- 01	Hydraulslang 1/4"	Hydraulic tube 1/4"		
10	1				1134- 7289- 01	Hydraulslang 1/4"	Hydraulic tube 1/4"		
11	1				1134- 7291- 01	Hydraulslang 1/4"	Hydraulic tube 1/4"		
12	1				1134- 7627- 01	Slangskydd	Hose guard		
14	1				9579- 0017- 01	Buntband	Cable tie		
21	1				1134- 7052- 01	Hydraulcylinder	Hydraulic cylinder		
22	2				1134- 7292- 01	Hydraulslang 1/4"	Hydraulic tube 1/4"		
23	2				1134- 4948- 01	Tredobricka	Seal washer		
24	1				1134- 6042- 01	Snabbkoppling- hane	Quick coupling- male		
25	1				1134- 7172- 01	Snabbkoppling- hona	Quick coupling- female		
26	1				9579- 0016- 01	Buntband- gult	Cable tie- yellow		

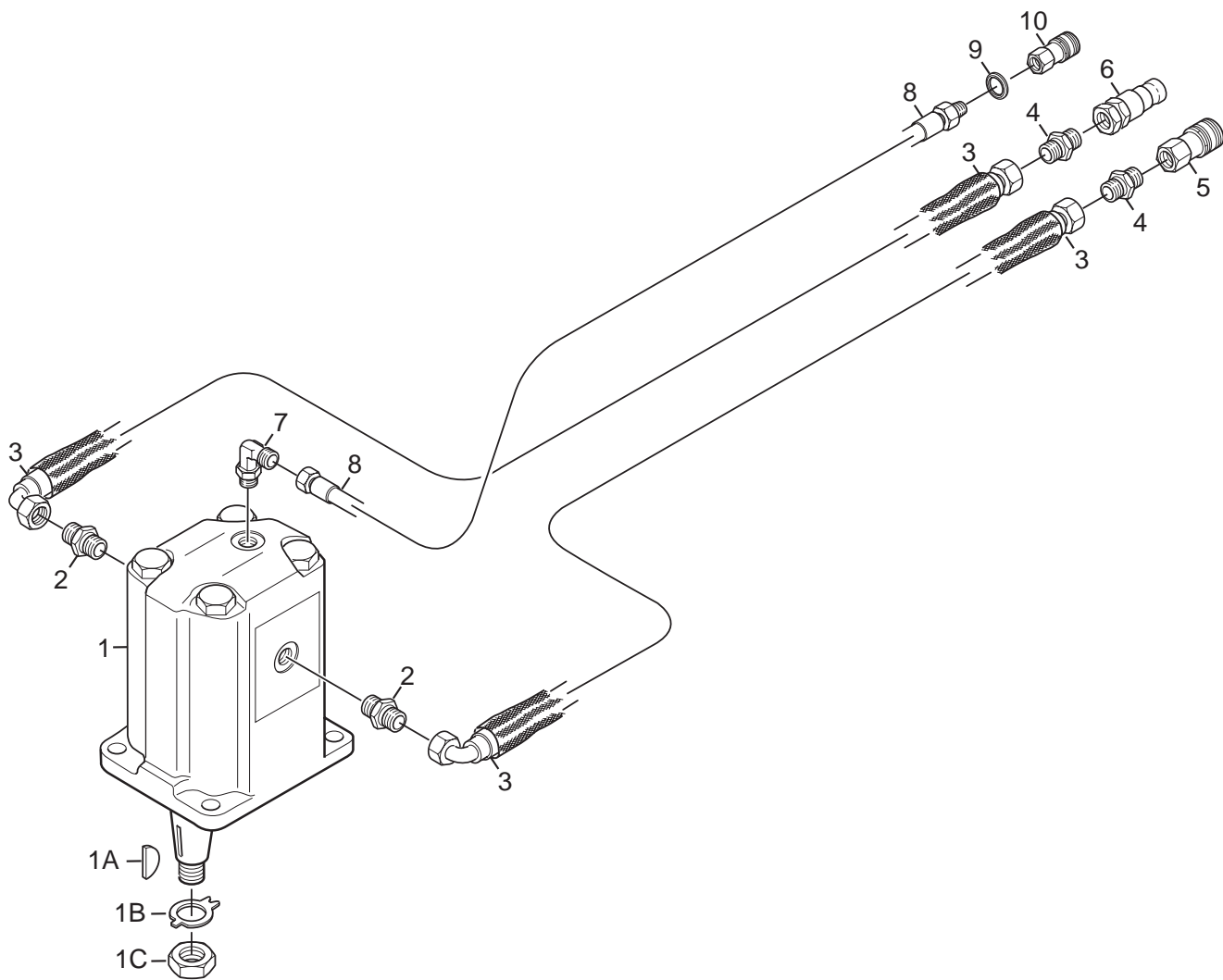


Utgåva Issue 2009- 15		Bildnr Picture No 2353A		TITAN KLIPPAGGREGAT 155B- 155H HÖJDINSTÄLLNING		MOWER DECK 155B- 155H HEIGHT ADJUST		Sida Page 100	
Pos. Fig.	Antal/Quantity				Art nr Part No	Benämning	Description	Sats Kit	Anmärkning Notes
	7815								
1	1				1134- 7800- 01	Fäste- vä kpl.....	Attachment- LH assy		Pos 2 - 17 incl.
2	1				1134- 6904- 01	.Parallellstag kplParallel rod		
2A	2				9501- 0500- 00	.SmörjnippelGrease joint		
3	2				9997- 1240- 16	.SkruvScrew		
5	2				9747- 1231- 02	.LåsmutterLock nut		
6	2				1134- 6907- 01	.Fäste kplBracket assy		
6A	1				9501- 0500- 00	.SmörjnippelGrease joint		
8	1				1134- 6900- 02	.AxelAxle		L = 63
9	1				9997- 1211- 02	.SkruvScrew		
10	1				1134- 6900- 03	.Axel (gängad)Axle (threaded)		L = 63
11	2				9924- 1235- 19	.SkruvScrew		
12	2				9997- 1211- 02	.SkruvScrew		
13	2				9747- 1231- 02	.MutterNut		
14	1				1134- 7799- 01	.PivotplattaPivot plate		
14A	1				9501- 0500- 00	.SmörjnippelGrease joint		
15	1				1134- 6900- 01	.AxelAxle		L = 84
16	1				1134- 6859- 01	.PivotplattaPivot plate		
16A	1				9501- 0500- 00	.SmörjnippelGrease joint		
17	1				1134- 6900- 01	.AxelAxle		L = 84
21	1				1134- 7651- 01	Fäste- hö kpl	Attachment- RH assy		Pos 22 - 38 incl.
22	1				1134- 6904- 01	.Parallellstag kplParallel rod		
22A	2				9501- 0500- 00	.SmörjnippelGrease joint		
23	2				9997- 1240- 16	.SkruvScrew		
25	2				9747- 1231- 02	.LåsmutterLock nut		
26	2				1134- 6907- 01	.Fäste kplBracket assy		
26A	1				9501- 0500- 00	.SmörjnippelGrease joint		
28	1				1134- 6900- 02	.AxelAxle		L = 63
29	1				9997- 1211- 02	.SkruvScrew		
30	1				1134- 6900- 03	.Axel (gängad)Axle (threaded)		L = 63
31	2				9924- 1235- 19	.SkruvScrew		
32	2				9997- 1211- 02	.SkruvScrew		
33	2				9747- 1231- 02	.MutterNut		
34	1				1134- 7650- 01	.PivotplattaPivot plate		
34A	1				9501- 0500- 00	.SmörjnippelGrease joint		
35	1				1134- 6900- 01	.AxelAxle		L = 84
36	1				1134- 6860- 01	.PivotplattaPivot plate		
36A	1				9501- 0500- 00	.SmörjnippelGrease joint		
37	1				1134- 6900- 01	.AxelAxle		L = 84
38	1				1134- 7239- 01	.PilArrow		
40	8				9997- 1230- 16	.SkruvScrew		
41	8				9739- 1241- 22	.MutterNut		
42	2				1134- 7400- 01	.SprintPin		
43	2				9598- 0002- 02	.LåsnålPin lock		
50	1				1134- 7797- 01	.FramaxelFront axle		
51	1				9997- 1255- 12	.SkruvScrew		
52	1				9747- 1231- 02	.LåsmutterLock nut		
53	2				9997- 1030- 16	.SkruvScrew		
54	2				9747- 1031- 02	.MutterNut		

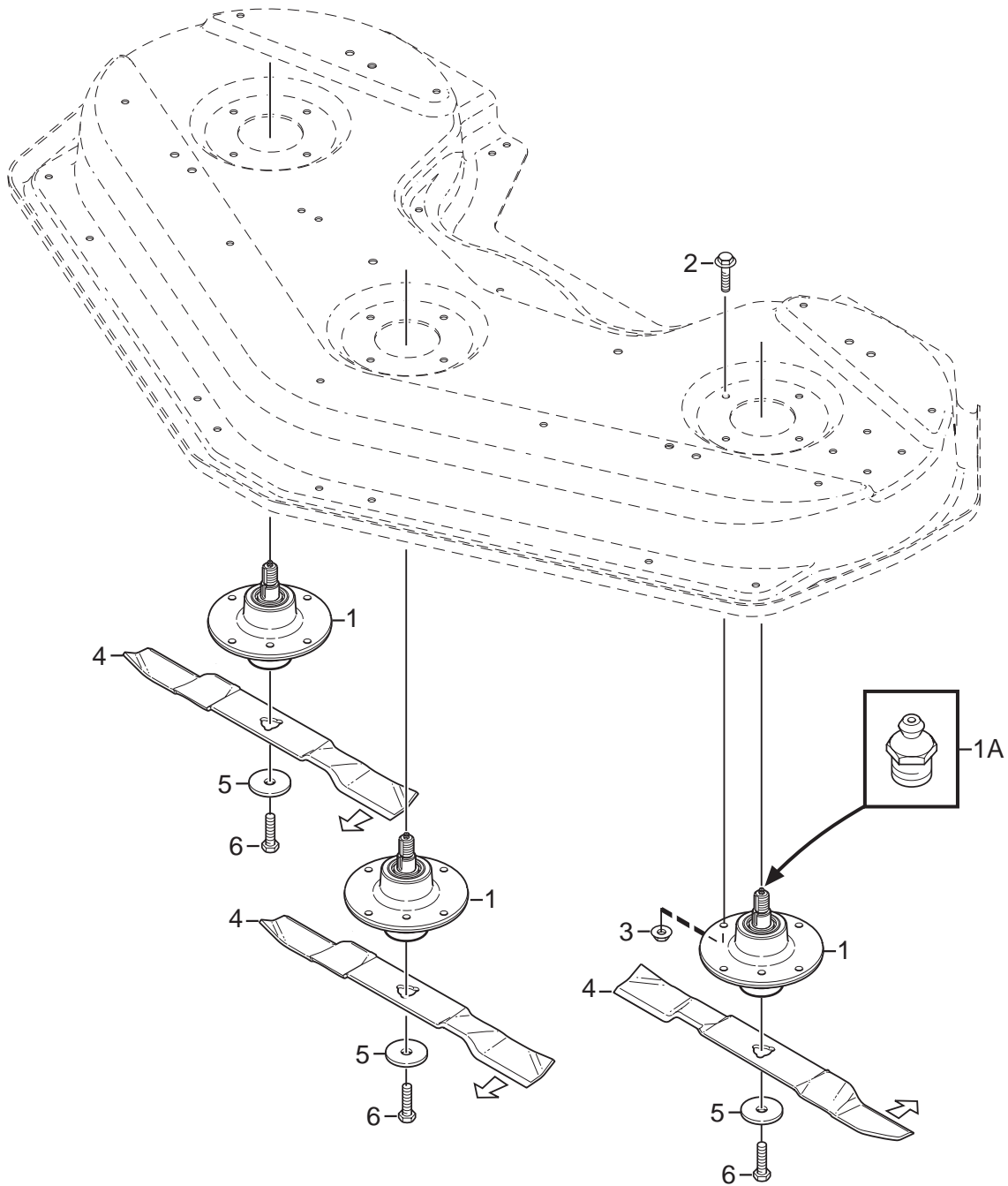
Utgåva Issue		Bildnr Picture No		TITAN KLIPPAGGREGAT 155B TRANSMISSION		MOWER DECK 155B TRANSMISSION		Sida Page 102	
Pos. Fig.	Antal/Quantity				Art nr Part No	Benämning	Description	Sats Kit	Anmärkning Notes
	7815								
1	1				1134-7406-01	Transmissionskåpa	Transmission cover		
2	1				1134-7407-01	Transmissionskåpa- vä	Transm.cover- LH		
3	1				1134-7408-01	Transmissionskåpa- hö	Transm.cover- RH		
4	1				1134-7277-01	Transmissionskåpa- vä	Transm.cover- LH		
5	1				1134-7277-02	Transmissionskåpa- hö	Transm.cover- RH		
6	5				9997-0820-16	Skruv	Screw		
7	2				9893-0616-16	Skruv	Screw		
8	4				9997-0890-12	Skruv	Screw		
10	1				1134-7478-01	Remstyrning	Belt guide		
11	1				1134-7319-01	Styrplåt	Guide plate		
12	4				9959-1025-16	Skruv	Screw		
13	1				1134-7064-01	Hylla	Plate		
14	3				9959-1020-16	Skruv	Screw		
15	3				9739-1031-22	Mutter	Nut		
16	1				1134-7822-01	Remskiva	Belt pulley		
17	4				1134-7518-01	Plastplugg	Plastic plug		
18	4				9699-0028-02	Bricka	Washer		
19	3				1134-7411-01	Bricka	Washer		
20	3				9600-0170-00	Plattkil	Flat key		
23	2				1134-7814-01	Remskiva	Belt pulley		Ø = 164
24	1				1134-7815-01	Remskiva	Belt pulley		Ø = 149
25	3				9747-2031-02	Mutter	Nut		
26	3				1134-7124-01	Spännrulle	Tension roller		Ø = 109
27	4				9959-1025-16	Skruv	Screw		
28	4				1134-5406-01	Bricka	Washer		
29	1				1134-7302-01	Remspännare- vä	Belt tensioner- LH		
29A	1				9501-0500-00	.SmörjnippelGrease joint		
30	1				1134-7303-01	Remspännare- hö	Belt tensioner- RH		
30A	1				9501-0500-00	.SmörjnippelGrease joint		
31	2				1134-7393-01	Fjäder	Spring		
32	2				1134-0240-01	Ansatsskruv	Shoulder screw		
33	2				9739-0831-22	Mutter	Nut		
34	1				1134-7307-01	Platta	Plate		
35	4				9924-1025-16	Skruv	Screw		
36	4				9739-1031-22	Mutter	Nut		
37	1				9585-0177-01	Kilrem (dubbel)	V- belt (double)		
38	1				9585-0181-01	Kilrem	V- belt		
39	1				9585-0180-01	Kilrem	V- belt		



Utgåva Issue		Bildnr Picture No		TITAN KLIPPAGGREGAT 155H TRANSMISSION		MOWER DECK 155H TRANSMISSION		Sida Page 104	
Pos. Fig.	Antal/Quantity				Art nr Part No	Benämning	Description	Sats Kit	Anmärkning Notes
	7825								
1	1				1134-7406-01	Transmissionskåpa	Transmission cover		
2	1				1134-7407-01	Transmissionskåpa- vä	Transm.cover- LH		
3	1				1134-7408-01	Transmissionskåpa- hö	Transm.cover- RH		
4	1				1134-7277-01	Transmissionskåpa- vä	Transm.cover- LH		
5	1				1134-7277-02	Transmissionskåpa- hö	Transm.cover- RH		
6	5				9997-0820-16	Skruv	Screw		
7	2				9893-0616-16	Skruv	Screw		
8	4				9997-0890-12	Skruv	Screw		
9	4				9924-0830-16	Skruv	Screw		
10	4				9747-0831-02	Mutter	Lock nut		
11	1				1134-7062-01	Motorfäste	Motor plate		
12	4				9959-1025-16	Skruv	Screw		
13	1				1134-7063-01	Hylla	Plate		
14	3				9959-1020-16	Skruv	Screw		
15	3				9739-1031-22	Mutter	Nut		
16	1				1134-6978-01	Remskiva	Belt pulley		
17	4				1134-7518-01	Plastplugg	Plastic plug		
18	4				9699-0028-02	Bricka	Washer		
19	3				1134-7411-01	Bricka	Washer		
20	3				9600-0170-00	Plattkil	Flat key		
23	2				1134-7814-01	Remskiva	Belt pulley		Ø = 164
24	1				1134-7815-01	Remskiva	Belt pulley		Ø = 149
25	3				9747-2031-02	Mutter	Nut		
26	3				1134-7124-01	Spännrulle	Tension roller		Ø = 109
27	3				9959-1025-16	Skruv	Screw		
28	3				1134-5406-01	Bricka	Washer		
29	1				1134-7302-01	Remspännare- vä	Belt tensioner- LH		
29A	1				9501-0500-00	.SmörjnippelGrease joint		
30	1				1134-7303-01	Remspännare- hö	Belt tensioner- RH		
30A	1				9501-0500-00	.SmörjnippelGrease joint		
31	2				1134-7393-01	Fjäder	Spring		
32	2				1134-0240-01	Ansatssskruv	Shoulder screw		
33	2				9739-0831-22	Mutter	Nut		
34	1				1134-7307-01	Platta	Plate		
35	4				9924-1025-16	Skruv	Screw		
36	4				9739-1031-22	Mutter	Nut		
37	1				9585-0177-01	Kilrem (dubbel)	V- belt (double)		
38	1				9585-0181-01	Kilrem	V- belt		



Utgåva Issue		Bildnr Picture No		TITAN KLIPPAGGREGAT 155H MOTORHYDRAULIK		MOWER DECK 155H MOTOR HYDRAULIC		Sida Page 106	
Pos. Fig.	Antal/Quantity				Art nr Part No	Benämning	Description	Sats Kit	Anmärkning Notes
	7825								
1	1				1134-7329-01	Hydraulmotor	Hydraulic motor		
1A	1				1139-0009-01	.KilKey		
1B	1				1139-0007-01	.BrickaWasher		
1C	1				1139-0008-01	.MutterNut		
2	2				1134-7315-01	Adapter	Hydraulic connector		
3	2				1134-7630-01	Hydraulslang 1/2"	Hydraulic tube 1/2"		
4	2				1134-7161-01	Adapter	Hydraulic connector		
5	1				1134-7182-01	Snabbkoppling- hona	Quick coupling- female		
6	1				1134-7181-01	Snabbkoppling- hane	Quick coupling- male		
7	1				1134-5806-01	Vinkeladapter	Angle coupling		
8	1				1134-7294-01	Hydraulslang 1/4"	Hydraulic tube 1/4"		
9	1				1134-4948-01	Tredobricka	Seal washer		
10	1				1134-7172-01	Snabbkoppling- hona	Quick coupling- female		



Utgåva Issue		Bildnr Picture No		TITAN KLIPPAGGREGAT 155B- 155H KNIVAR		MOWER DECK 155B- 155H BLADES		Sida Page 108	
Pos. Fig.	Antal/Quantity				Art nr Part No	Benämning	Description	Sats Kit	Anmärkning Notes
	7815	7825							
1	3				1134-6744-01	Lagerbox kpl.....	Bearing box assy.....		Kit 2+1/sats 2+1 st.
1A	1				9501-0500-00	.Smörjnippel.....	.Grease joint.....		
2	12				9959-1025-16	Skruv.....	Screw.....		
3	12				9739-1031-22	Mutter.....	Nut.....		
4	1				1134-9132-01	Knivsats.....	Blade kit.....		
5	3				1134-6211-01	Knivbricka.....	Blade washer.....		
6	3				9997-1060-12	Skruv.....	Screw.....		