



Green Passion

Illustrated Parts List

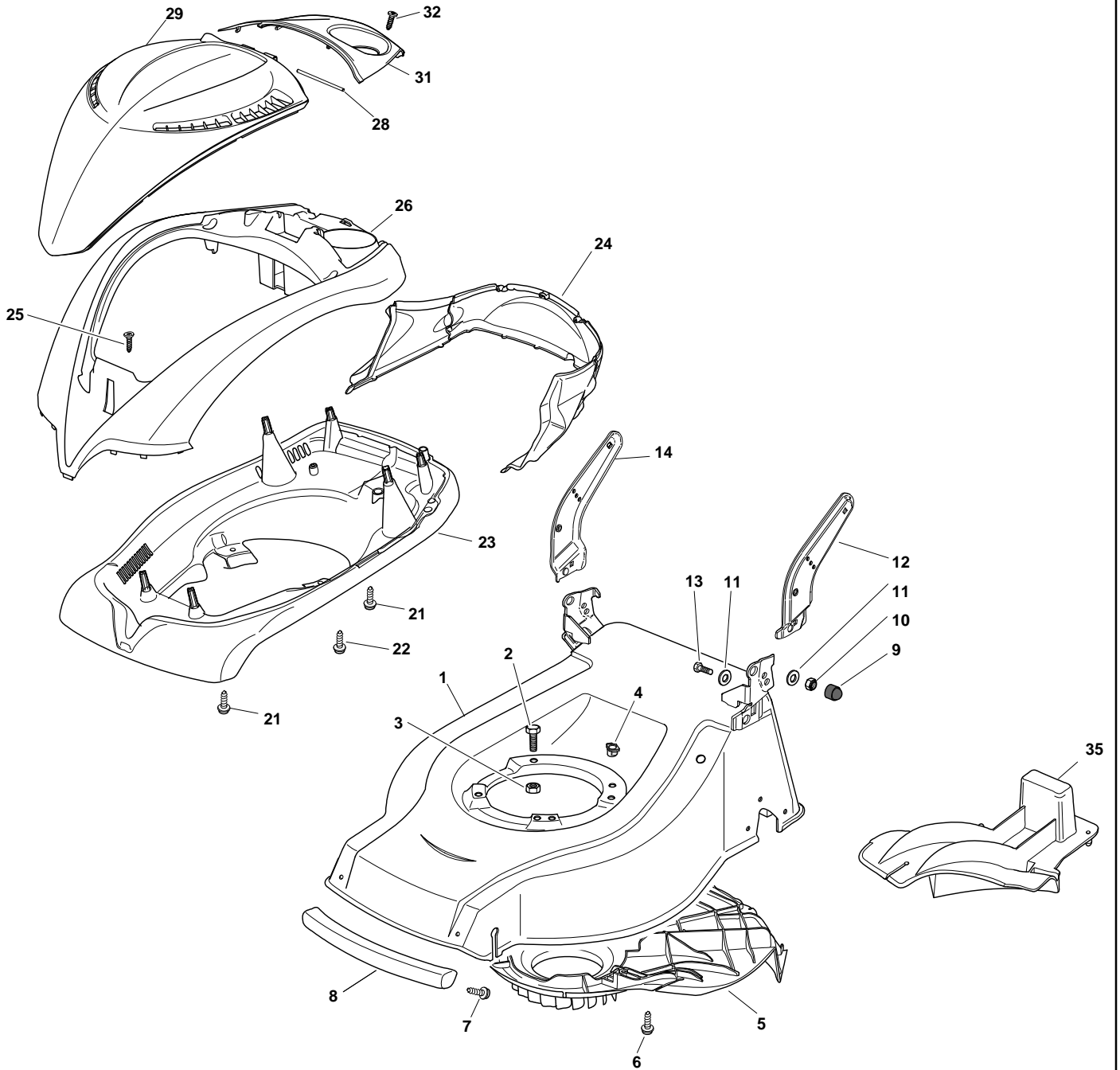
**XSPW 55 MGS SILENT - Model
Year 2009**

- Use GLOBAL GARDEN PRODUCT Genuine Spare Parts specified in the parts list for repair and/or replacement.
- The contents described in the parts list may change due to improvement.
- The drawings of the spare parts are only indicative and might not represent the part in question exactly.
- The indications "right" - "left" - "front" - "rear" refer to the position of the operator when using the machine.
- When placing orders of parts for repair and/or replacement, make sure that the illustrated parts list is the one applying to the machine's year of manufacture, as shown on the identification plate attached to the machine.

COPYRIGHT by GLOBAL GARDEN PRODUCTS

All rights reserved. No part of this material may be reproduced or transmitted, in any form or by any means, electronic or mechanical, including photocopying, recording or by any information storage and retrieval system, without permission in writing from GLOBAL GARDEN PRODUCTS.

Chassis



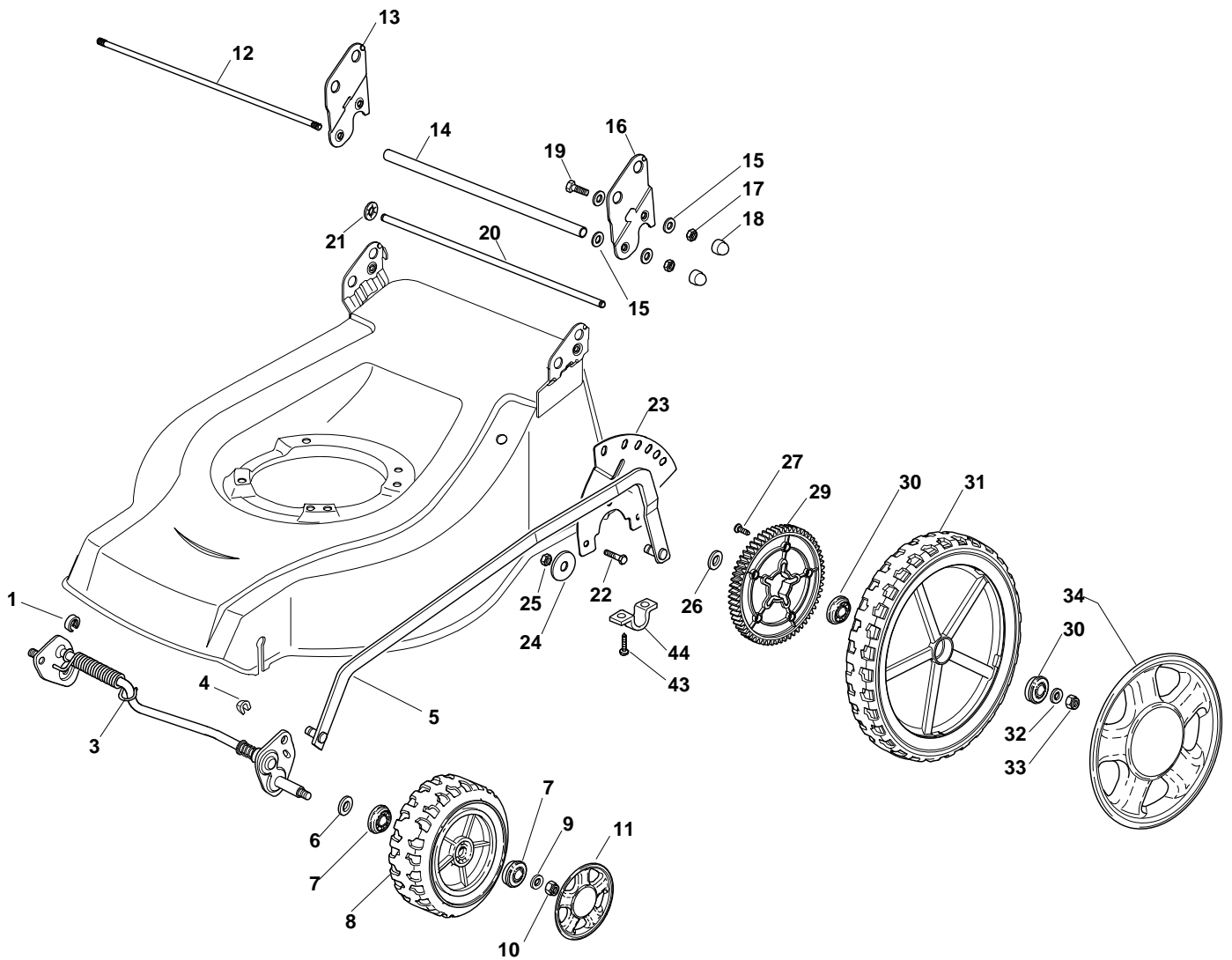


XSPW 55 MGS SILENT - Model Year 2009

Chassis

Pos.	Part no.	Q.ty	Description	Remarks
1	381003712/0	1	Deck Grey	
2	12691100/0	3	Screw	
3	12154510/0	3	Nut	
4	22291150/0	1	Rubber Insert	
5	322060224/1	1	Protection	
6	12728460/0	3	Screw	
7	12735404/0	2	Screw	
8	322485000/0	1	Grey Protection	
9	18203854/0	2	Protection	
10	12155000/0	2	Nut	
11	22671653/0	4	Washer	
12	322778433/0	1	Bracket, L	
13	12793301/0	2	Screw	
14	322778431/0	1	Bracket, R	
21	12728300/0	4	Screw	
22	112728696/0	2	Screw	
23	322109740/0	1	Cover, Lower Red Cast.	Castelgarden
23	322109740/0	1	Cover, Lower Red Cast.	Castelgarden
24	322109739/0	1	Rear Cover, Grey	
25	112728706/0	6	Screw	
26	322109735/0	1	Cover, Upper Red Cast.	Castelgarden
26	322109735/0	1	Cover, Upper Red Cast.	Castelgarden
28	122517861/0	1	Pin	
29	381119700/0	1	Cover, Upper Grey	
31	322109738/0	1	Cover, Grey	
32	112728696/0	2	Screw	
35	322140234/0	1	Deflector	

Wheels And Height Adjusting



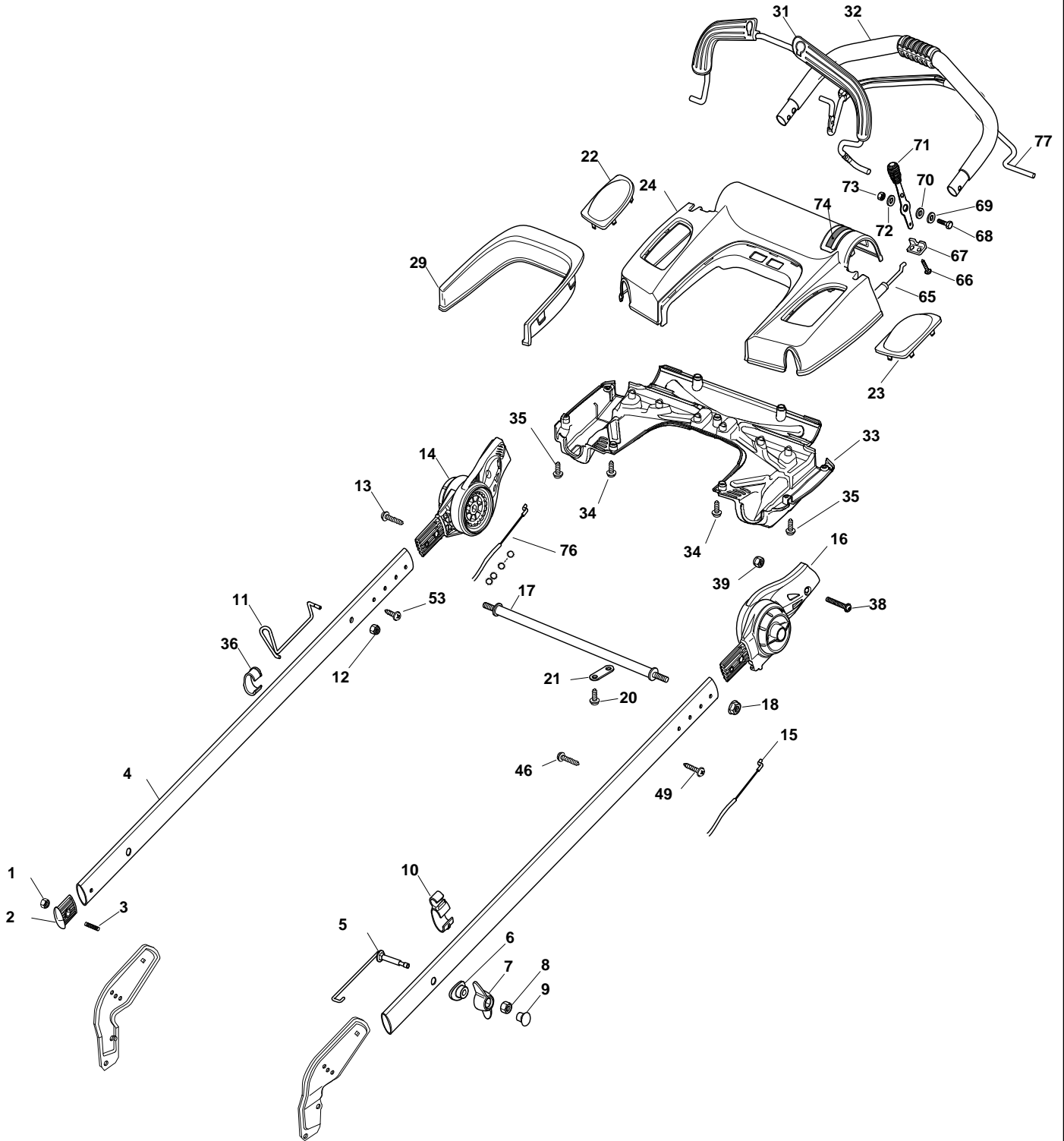


XSPW 55 MGS SILENT - Model Year 2009

Wheels And Height Adjusting

Pos.	Part no.	Q.ty	Description	Remarks
1	22171002/0	2	Spacer	
2	381002859/0	1	Axle, Front Wheels	534
3	12436050/0	2	Plate	
4	381002017/0	1	Rod, Height Adjustment	534
5	12530150/0	2	Washer	
6	22122200/0	4	Bearing	
7	81007343/0	2	Wheel R 210	
8	12521350/0	2	Washer	
10	12155000/0	2	Nut	
11	22110382/0	2	Hub Cap	
12	22517702/1	1	Stone Guard Fulcrum	
13	22778427/0	1	Bracket, R	
14	22869717/0	1	Spacer	
15	22671653/0	8	Washer	
16	22778429/0	1	Bracket, L	
17	12155000/0	4	Nut	
18	18203854/0	4	Protection	
19	12793301/0	2	Screw	
20	22517860/0	1	Pin	
21	12604899/0	2	Crown Fastener	
22	12792611/0	3	Screw	
23	322735579/1	1	Sector, Height Adjustment	
24	12523060/0	3	Washer	
25	12155000/0	3	Nut	
26	22675100/0	2	Washer	
27	12728691/0	6	Screw	
29	22120110/0	2	Sprocket	
30	22122200/0	4	Bearing	
31	81007380/0	2	Wheel R 300	
32	12521350/0	4	Washer	
33	12155000/0	2	Nut	
34	22110511/0	2	Hub Cap	
43	12731350/0	4	Screw	
44	22545152/0	2	Plate	

Handle, Upper Part





XSPW 55 MGS SILENT - Model Year 2009

Handle, Upper Part

Pos.	Part no.	Q.ty	Description	Remarks
1	12154510/0	2	Nut	
2	22820071/0	2	Cap	
3	12789450/0	2	Screw	
4	322498105/1	2	Handle	
5	381003805/0	2	Spring	
6	22680012/0	2	Washer	
7	22399821/0	2	Knob	
8	12293200/0	2	Nut	
9	322820072/1	2	Cap	
10	22192003/0	1	Fairlead	
11	122430316/1	1	Spring	
12	12154330/0	1	Nut	
13	112728698/0	1	Screw	
14	381745003/0	1	Joint	
15	181030018/0	1	Cable, Thread Engine Brake	(Honda)
15	181030018/0	1	Cable, Thread Engine Brake	(Honda)
15	181030019/1	1	Cable, Thread Engine Brake	(B&S 625-675 Series)
15	181030019/1	1	Cable, Thread Engine Brake	(B&S 625-675 Series)
15	181030019/1	1	Cable, Thread Engine Brake	(B&S 625-675 Series)
15	181030019/1	1	Cable, Thread Engine Brake	(B&S 625-675 Series)
15	181030019/1	1	Cable, Thread Engine Brake	(B&S 625-675 Series)
15	181030032/0	1	Cable, Thread Engine Brake	(B&S 700 Series)
15	181030032/0	1	Cable, Thread Engine Brake	(B&S 700 Series)
16	381745004/0	1	Joint	
17	122608537/1	1	Stiffening	
18	12293201/0	2	Nut	
20	12728691/0	2	Screw	
21	322981471/0	2	Plate	
22	322557155/1	1	Cover	
23	322557156/1	1	Cover	
24	322120184/2	1	Dash Board	
29	322109543/1	1	Protection	
31	81003325/0	1	Lever, Engine Brake	
32	381006670/1	1	Handgrip	
33	322109547/0	1	Cover	
34	112728706/0	2	Screw	
35	112728695/0	7	Screw	
36	322192004/0	1	Anchor Clamp	
38	112727799/0	2	Screw	
39	12154510/0	2	Nut	
46	12728526/0	1	Screw	
49	112728698/0	1	Screw	
53	12728526/0	1	Screw	
65	81007160/0	1	Throttle Cable	
66	12735105/0	2	Screw	
67	22981467/0	1	Plate	
68	12791500/0	1	Screw	
69	12530060/0	1	Elastic Washer	
70	12523040/0	1	Washer	
71	381007222/1	1	Lever, Throttle	
72	12523040/0	1	Washer	
73	12154510/0	1	Nut	
74	114361912/1	1	Label	(B&S)
74	114361912/1	1	Label	(B&S)
74	114361913/1	1	Label	(Honda)
74	114361913/1	1	Label	(Honda)
74	114362229/1	1	Label	(Ggp)
74	114362229/1	1	Label	(Ggp)
74	114362230/1	1	Label	AVS (Ggp 196 cc)
74	114362230/1	1	Label	AVS (Ggp 196 cc)
74	114362568/0	1	Label	(Honda GCV 160-190 Autochoke)
74	114362568/0	1	Label	(Honda GCV 160-190 Autochoke)
74	114362568/0	1	Label	(Honda GCV 160-190 Autochoke)
76	381030015/0	1	Cable, Rear Drive	(Bi Ci Di)
76	381030015/0	1	Cable, Rear Drive	(Bi Ci Di)
76	381030023/0	1	Cable, Rear Drive	(General Transmission)

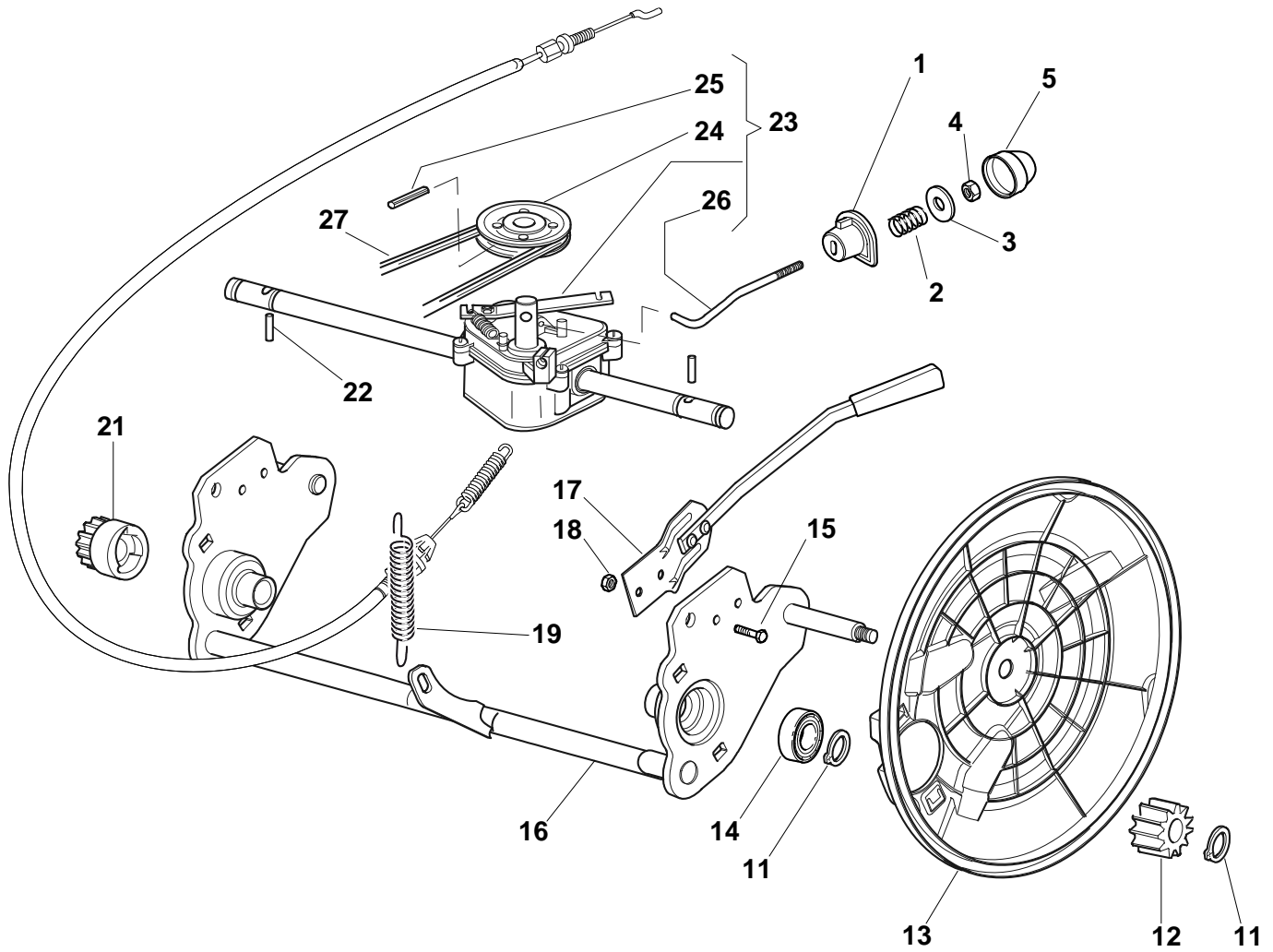


XSPW 55 MGS SILENT - Model Year 2009

Handle, Upper Part

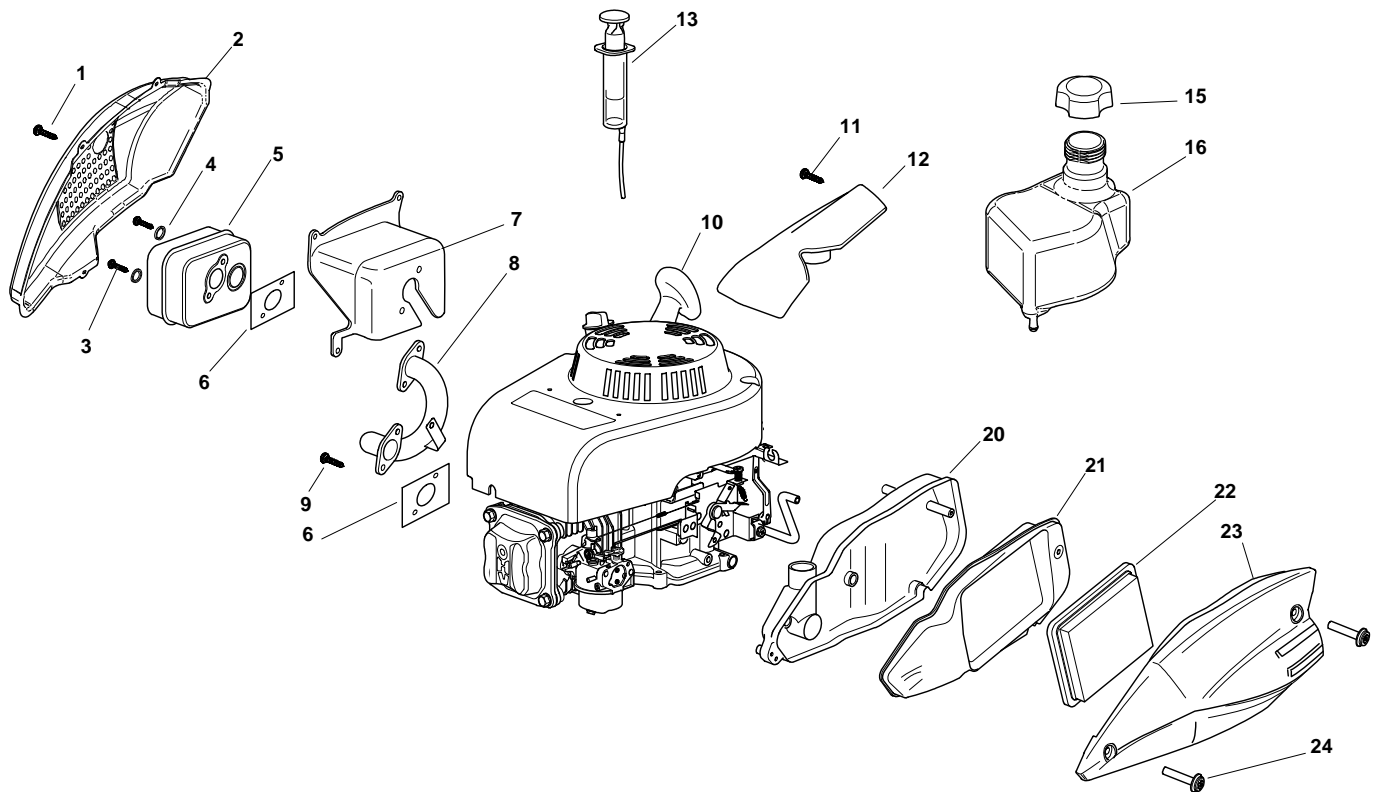
Pos.	Part no.	Q.ty	Description	Remarks
76	381030023/0	1	Cable, Rear Drive	(General Transmission)
77	381003328/0	1	Lever, Driving	

Rear Drive



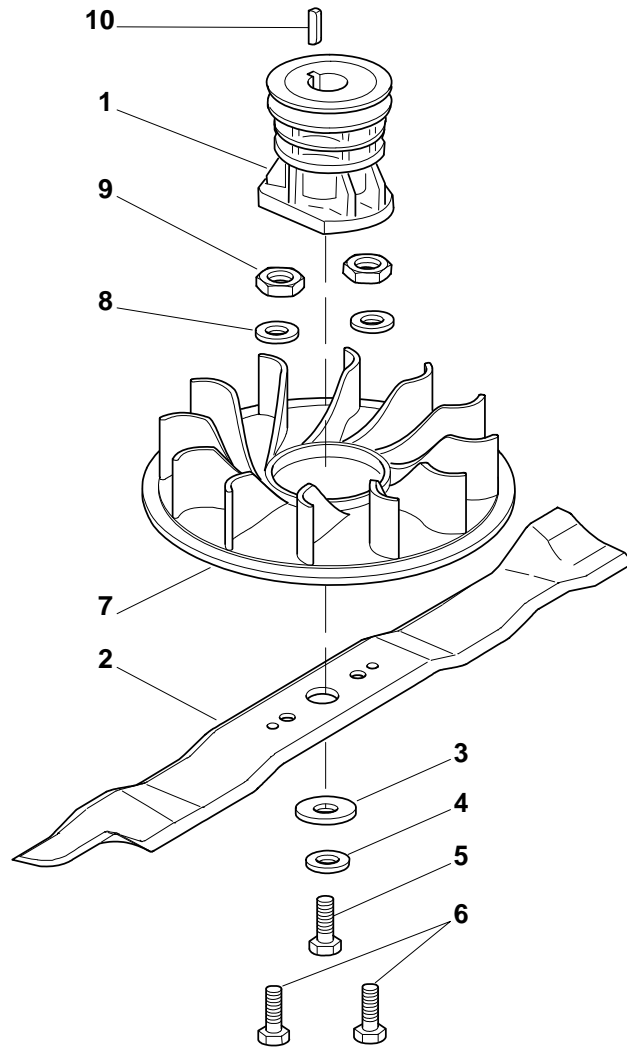
Pos.	Part no.	Q.ty	Description	Remarks
1	22041957/1	1	Bush	
2	22450063/0	1	Spring	
3	22680009/0	1	Washer	
4	12154510/0	1	Nut	
5	22110230/0	1	Cap	
11	12608600/0	4	Seeger	
12	22570110/1	1	Pinion R	
13	22600160/0	2	Protection, Wheel	
14	19216035/0	2	Bearing	
15	12789000/0	2	Screw	
16	381002853/2	1	Axle, Rear Wheels	
17	381003329/0	1	Lever, Height Adjustment	
18	12154330/0	2	Nut	
19	122450454/0	1	Spring	
21	22570120/1	1	Pinion L	
22	22753000/0	2	Pin	
23	81003092/0	1	Gear Box	
23	81003092/0	1	Gear Box	(General Transmission)
24	22601904/0	1	Pulley	
25	12645705/0	1	Pin	
26	22033283/0	1	Adjustment Rod	(General Transmission)
26	22033283/0	1	Adjustment Rod	
27	35063902/0	1	Belt Z 29.5	

Engine



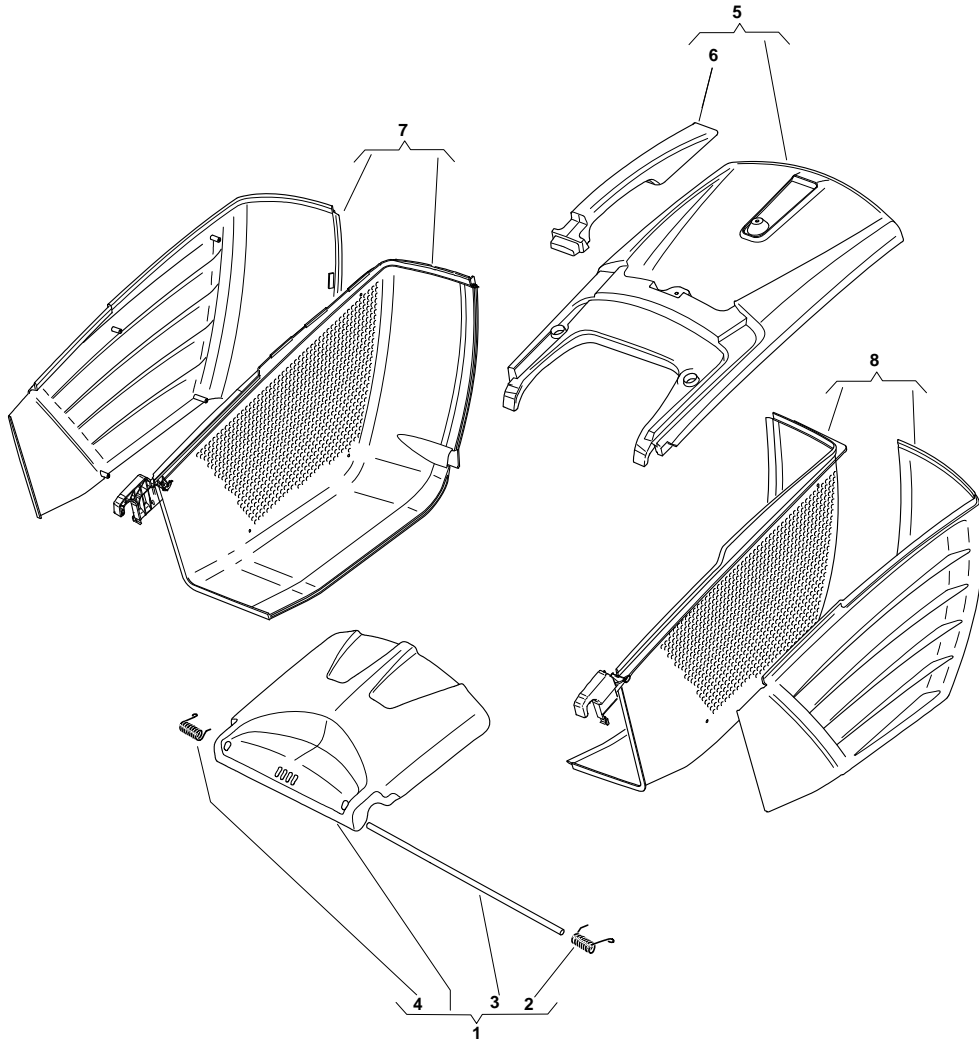
Pos.	Part no.	Q.ty	Description	Remarks
1	12735111/0	3	Screw	
2	322601007/0	1	Muffler Protection	
3	112689590/0	2	Screw	
4	12582100/0	2	Washer	
5	118550269/0	1	Muffler	
6	118550270/0	2	Gasket, Muffler	
7	381750101/0	1	Guard	
8	118738233/0	1	Exhaust Tube	
9	12735599/0	3	Screw	
10	118550410/0	1	Engine	
11	12728700/0	2	Screw	
12	322785269/0	1	Cover	
13	18718000/0	1	Syringe	
15	27790000/1	1	Cap	
16	322735150/0	1	Tank	
20	322785268/0	1	Air Cleaner Base	
21	322785267/0	1	Cover	
22	118550257/0	1	Air Filter	
23	322109744/0	1	Air Cleaner Cover	
24	381004362/0	2	Screw	

Blade



Pos.	Part no.	Q.ty	Description	Remarks
1	22465607/2	1	Hub With Pulley, Crankshaft Ř 22.2	
2	181004394/0	1	Blade	
3	22160400/0	1	Elastic Washer	
4	12523080/0	1	Washer	
5	12735698/0	1	Screw	
6	12791400/0	2	Screw	
7	322465634/0	1	Hub Fan	
8	12521330/0	2	Washer	
9	12154510/0	2	Nut	
10	12139100/0	1	Feather, Crankshaft Ř 22.2	

Grass-Catcher



Pos.	Part no.	Q.ty	Description	Remarks
1	381008072/0	1	Stone-Guard, Grey	
2	122450451/0	1	L Spring	
3	122517862/0	1	Pin	
4	122450450/0	1	R Spring	
5	381486000/0	1	Grass-Box, Upper Part Grey	
6	322393623/0	1	Handle, Grey	
6	322393630/0	1	Handle, Black	
7	381486002/0	1	Right, Grassbox Lower Part - Grey	
8	381486004/0	1	Left, Grassbox Lower Part - Grey	