

Parts Catalogue

for model
480BSP550-3

- Use GLOBAL GARDEN PRODUCT Genuine Spare Parts specified in the parts list for repair and/or replacement.
- The contents described in the parts list may change due to improvement.
- The drawings of the spare parts are only indicative and might not represent the part in question exactly.
- The indications "right" - "left" - "front" - "rear" refer to the position of the operator when using the machine.
- When placing orders of parts for repair and/or replacement, make sure that the illustrated parts list is the one applying to the machine's year of manufacture, as shown on the identification plate attached to the machine.

© Copyright 2017 Global Garden Products

All content is subject to copyright by Global Garden Products and may not be reproduced in whole or in part by any means, electronic or otherwise, without prior written approval.

THIS INFORMATION IS NOT INTENDED FOR SALE OR RESALE, AND THIS NOTICE MUST REMAIN ON ALL COPIES.



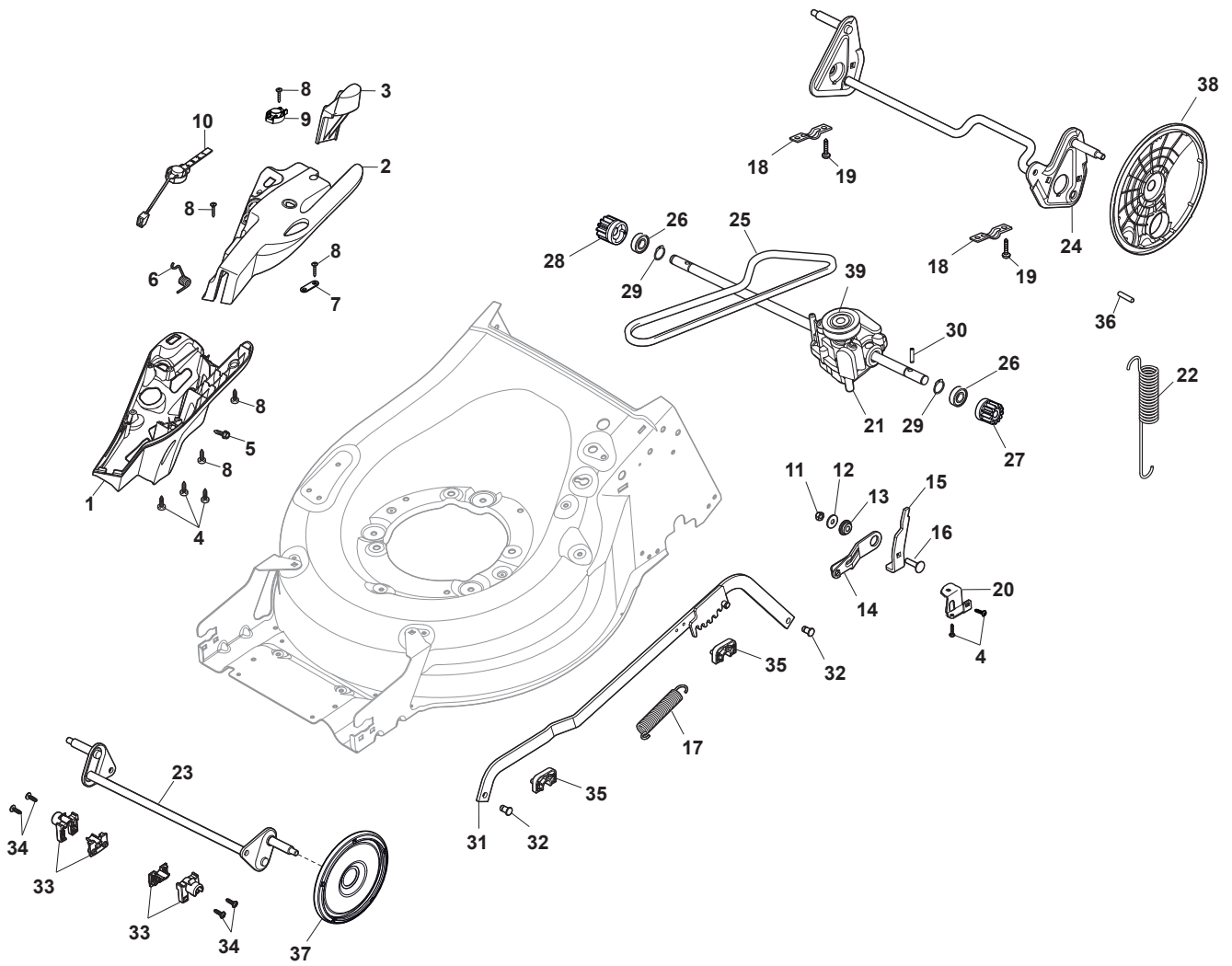


Fig.	Q.ty	Part No	Description	Notes
1	1	322055262/0	Lower Cover	
2	1	322055263/0	Upper Cover	
3	1	322602026/0	Button	
4	5	112728699/0	Screw	
5	1	125943004/0	Screw	
6	1	122450477/0	Spring	
7	1	322981471/1	Plate	
8	5	112728697/0	Screw	
9	1	322602027/0	Lens	
10	1	322602028/0	Visualizer	
11	1	112154510/0	Nut	
12	1	112523040/0	Washer	
13	1	122517873/0	Pin	
14	1	381003475/1	Lever, Height Adjustment	
15	1	322778475/0	Bracket	
16	1	112815270/0	Screw	
17	1	122450480/0	Spring	
18	2	322545152/0	Plate	
19	4	112728697/0	Screw	
20	1	322778473/0	Bracket	
21	1	181003114/0	Gear Box	
22	1	122450478/0	Spring	
23	1	381302885/0	Front Wheel Axle	
24	1	381302889/0	Rear Wheel Axle	
25	1	135063900/0	Belt	
26	2	119216035/0	Bearing	
27	1	122570134/0	Left Pinion	
28	1	122570133/0	Right Pinion	
29	4	112608600/0	Seeger	
30	2	122753000/0	Pin	
31	1	381002047/0	Wheels Control Rod	
32	2	122519823/0	Pin	
33	2	322785305/1	Support	
34	4	112728697/0	Screw	
35	2	112436051/0	Plate	
36	1	112645708/0	Pin	
37	2	322600145/0	Protection, Wheel	NOT for Delta Hole wheels
38	2	322600208/0	Protection, Wheel	
39	1	122601909/0	Pulley	

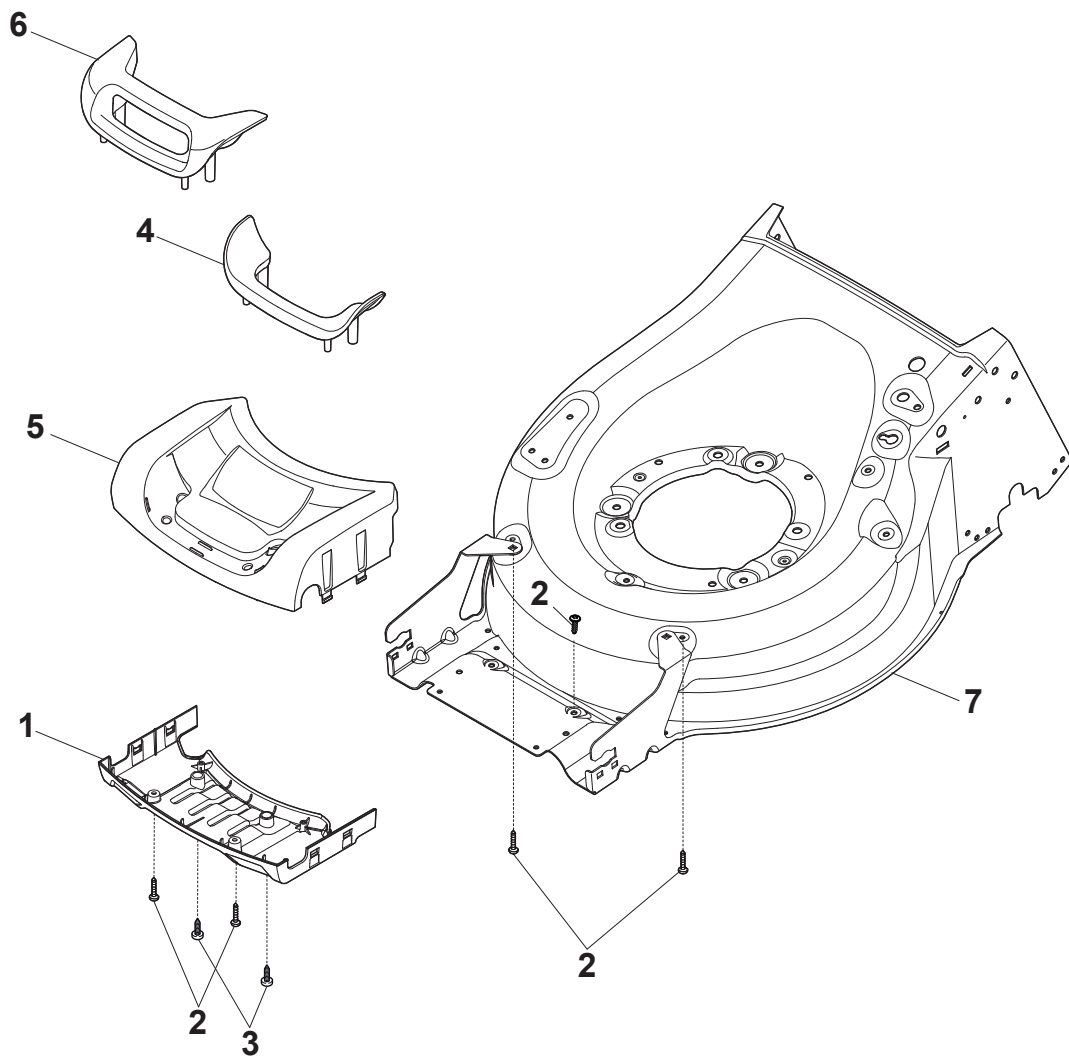


Fig.	Q.ty	Part No	Description	Notes
1	1	322500111/0	Front Combi	
2	6	112728697/0	Screw	
3	2	112728699/0	Screw	
4	1	322055524/0	Insert	
5	1	322226215/0	Mask, Light Red	
5	1	322226229/0	Mask, Black	
5	1	322226243/0	Mask, Dark Red	
6	1	322393742/0	Handle	
7	1	381004777/0	Red Deck	

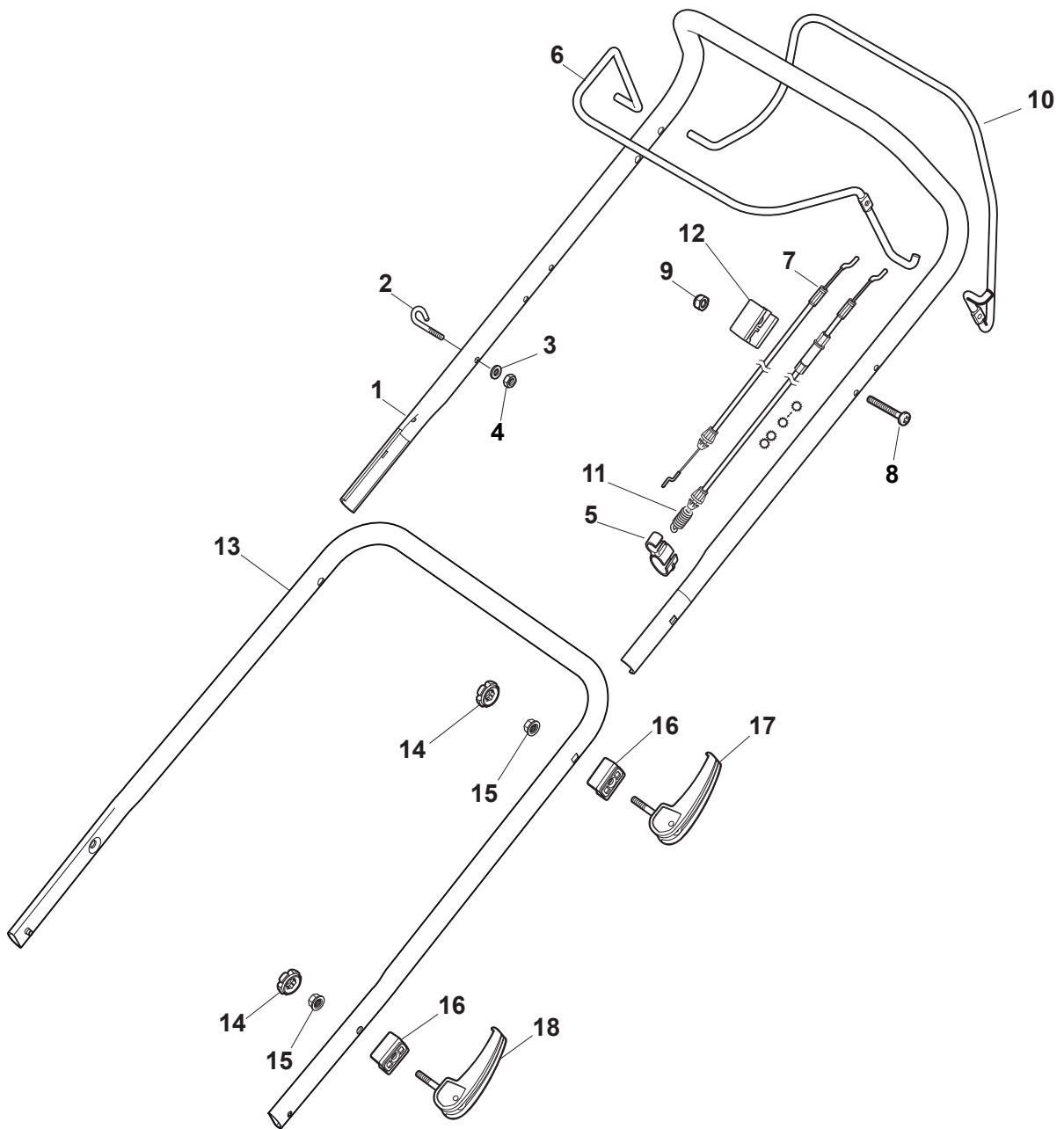


Fig.	Q.ty	Part No	Description	Notes
1	1	381006739/1	Handle, Upper Part	Black without Sponge
1	1	381006745/1	Handle, Upper Part with sponge handgrip	Black with Sponge
2	1	122430313/0	Guide Spring	
3	1	112521330/0	Washer	
4	1	112154510/0	Nut	
5	1	118390020/0	Conduit Clip	
6	1	381003376/0	Lever, Engine Brake Red	Red
7	1	181030106/0	Cable, Thread Engine Brake	For B&S 550E-625E-650EXI-675EXI-675IS-850 Engine
8	1	112727783/0	Screw	
9	1	112154510/0	Nut	
10	1	181003364/0	Drive Control Lever	Black
11	1	381030104/0	Clutch Cable	
12	1	322551640/0	Plate	
13	1	381007563/0	Lower handle	Black
14	4	322399835/0	Knob	
15	4	122131750/0	Nut	
16	4	322680016/0	Washer	
17	2	381103350/0	Handle	Black
18	2	381003253/0	Handle	Black

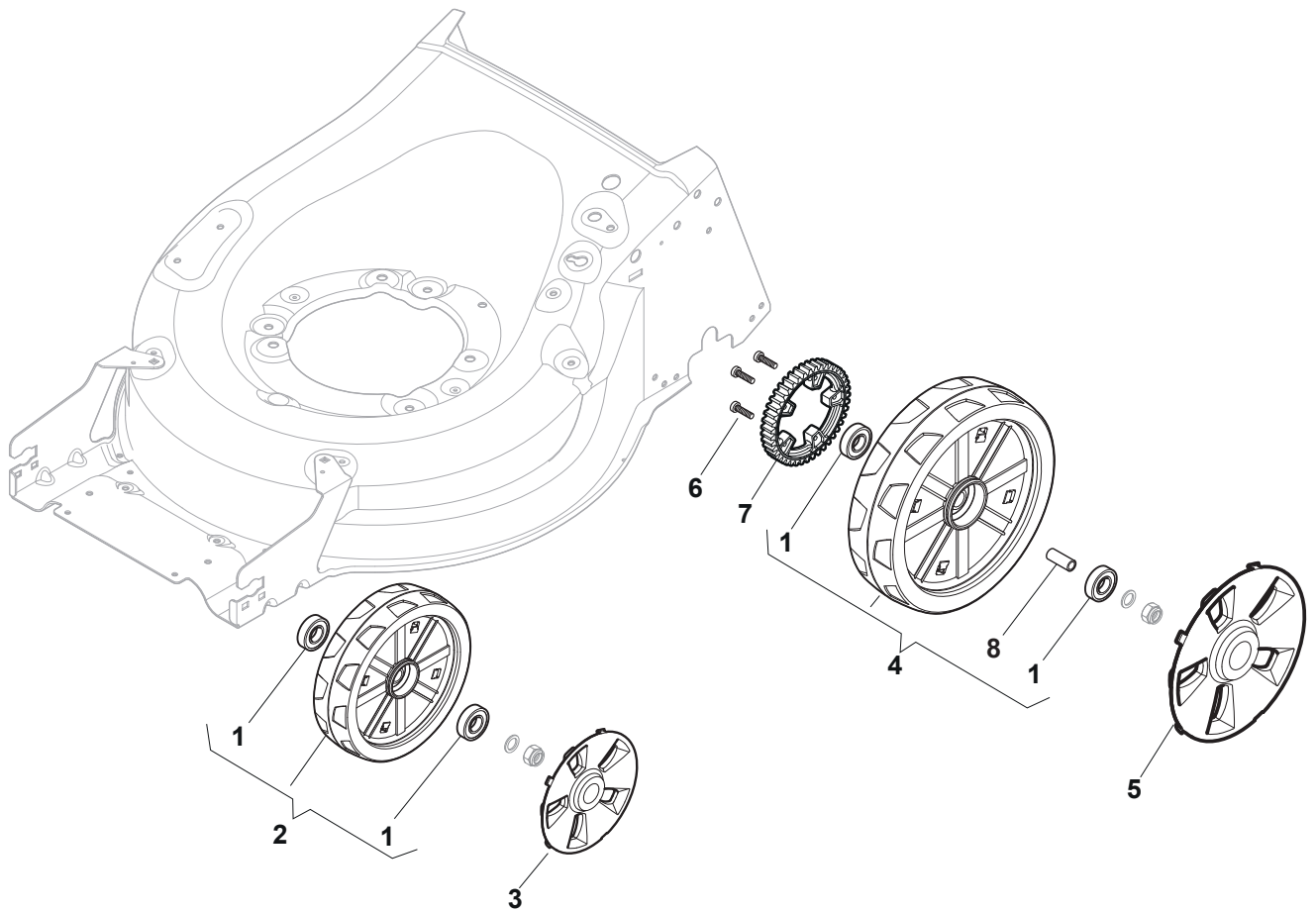


Fig.	Q.ty	Part No	Description	Notes
1	4	119216035/0	Bearing	
2	2	381007483/1	Wheel	
3	2	322110643/0	Hub Cap Grey	Grey
4	2	381007478/1	Wheel	
5	2	322110644/0	Hub Cap Grey	Grey
6	6	112728706/0	Screw	
7	2	322120115/0	Wheels Crown	
8	2	122170845/0	Spacer	

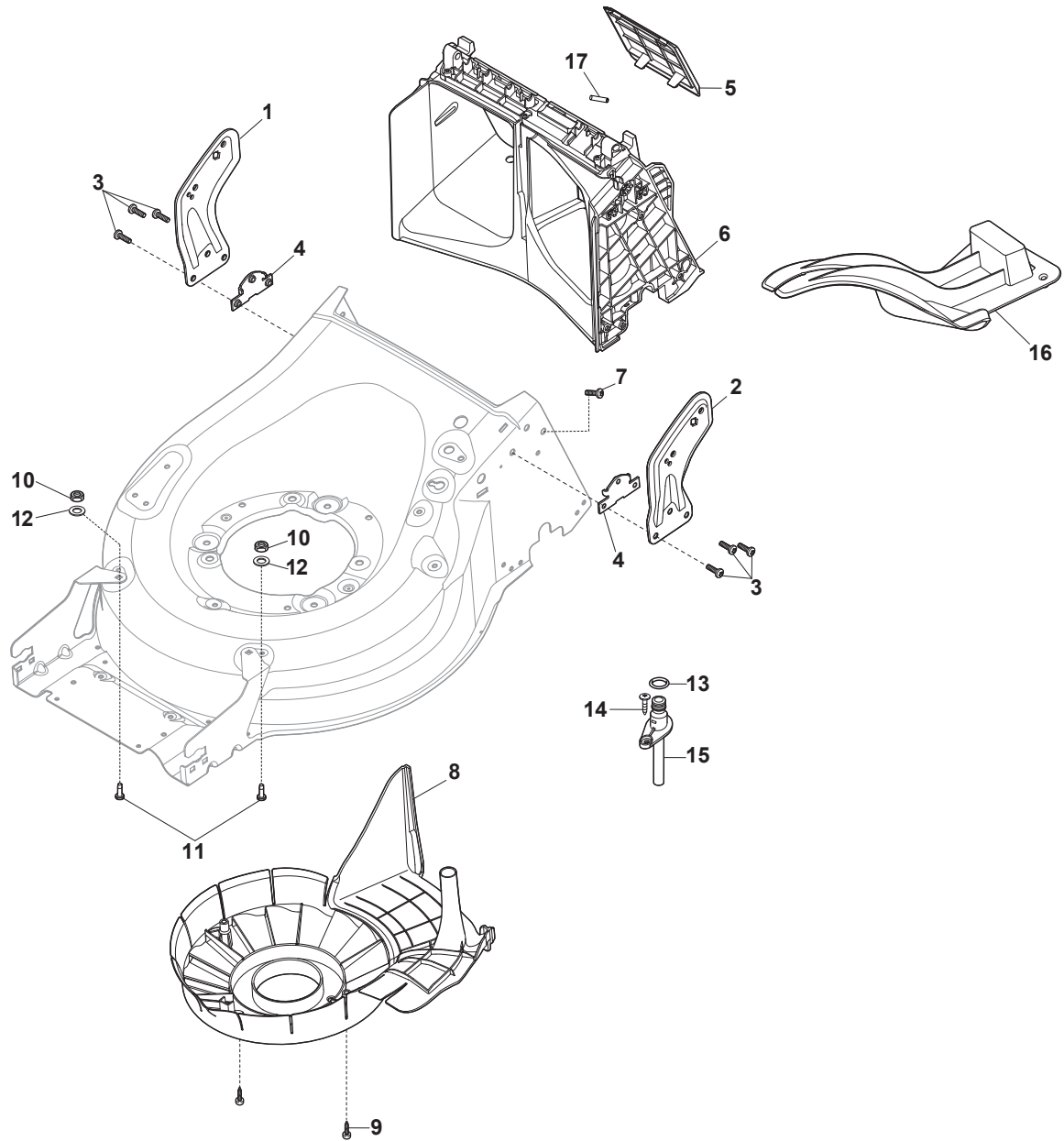


Fig.	Q.ty	Part No	Description	Notes
1	1	381005195/0	Bracket-Rh	Black
2	1	381005197/0	Bracket-Lh	Black
3	6	112727801/0	Screw	
4	2	322545213/0	Plate	
5	1	322600310/0	Rear door	Not for TR/E models
6	1	322108316/0	Conveyor	
7	6	112728699/0	Screw	
8	1	322060270/1	Carter Mulching	
9	2	112735645/0	Screw	
10	2	112154510/0	Nut	
11	2	112815205/0	Screw	
12	2	112521330/0	Washer	
13	1	119035000/0	Or Ring	
14	1	112728697/0	Screw	
15	1	322034002/0	Washing Connection	
16	1	322140245/0	Deflector	
17	1	112645708/0	Pin	

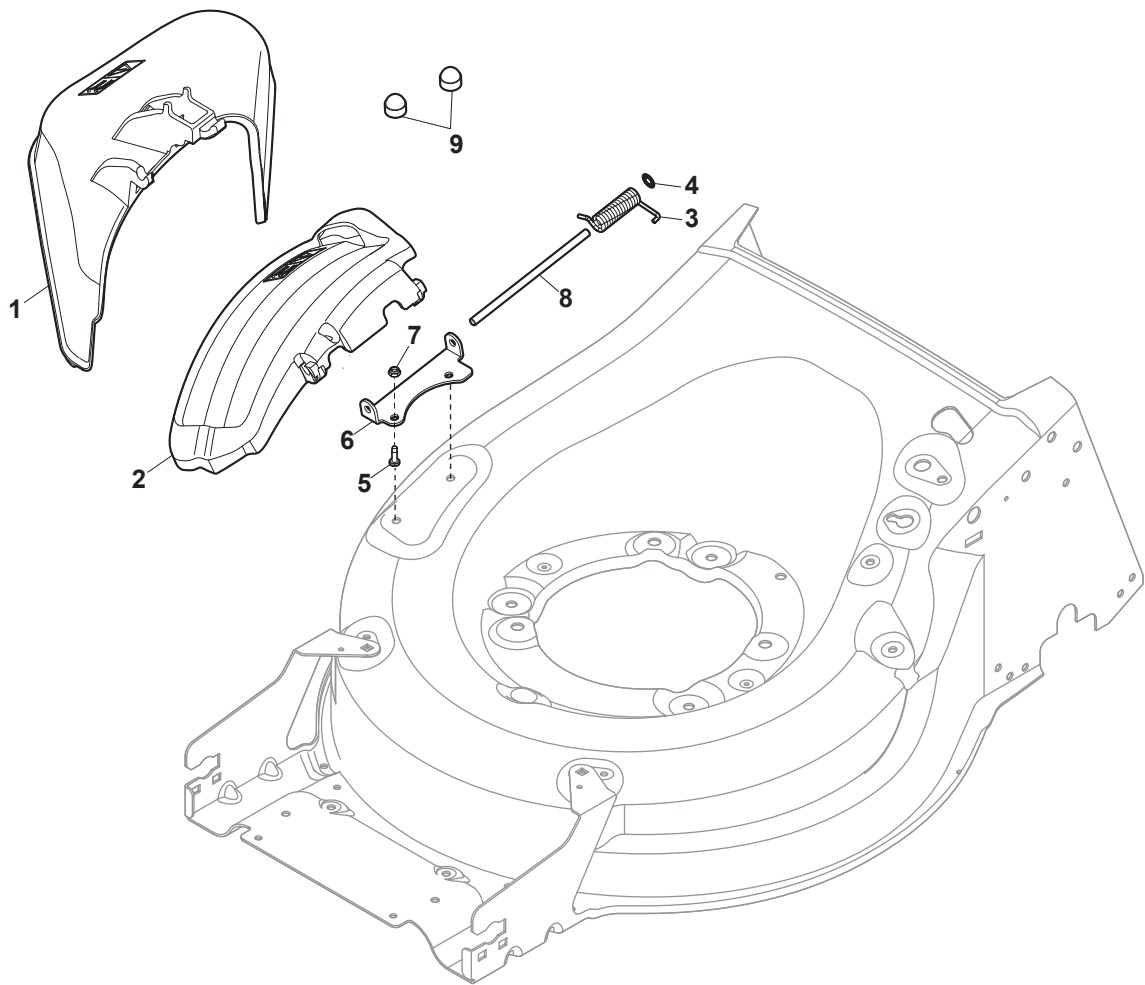


Fig.	Q.ty	Part No	Description	Notes
1	1	322108315/0	Conveyor	
2	1	322600309/0	Stone Guard, Black	
3	1	122450456/0	Spring	
4	2	112604896/0	Crown Fastener	
5	2	112727803/0	Screw	
6	1	322806639/0	Fulcrum Pin	
7	2	112154510/0	Nut	
8	1	122517869/1	Pin	
9	2	118203853/0	Cap	

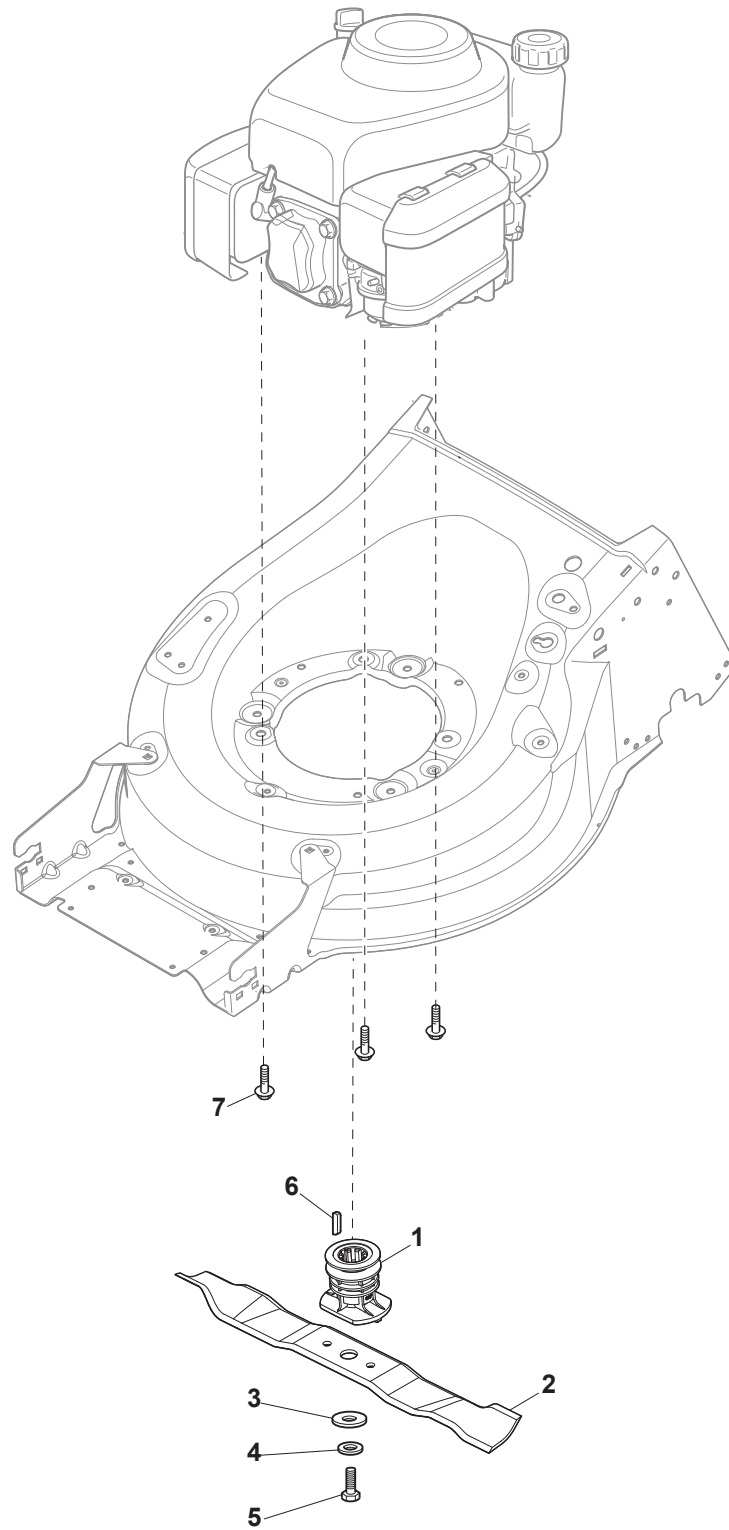


Fig.	Q.ty	Part No	Description	Notes
1	1	122465607/3	Hub With Pulley, Crankshaft Ø 22.2	for GGP and B&S Engines
2	1	181004366/2	Blade	
3	1	122160400/0	Elastic Disc	
4	1	112523080/0	Washer	
5	1	112735698/0	Screw	for GGP-B&S-HONDA Engines
6	1	112139100/0	Key	for GGP and B&S Engines
7	3	112735108/1	Screw	for GGP-B&S-HONDA Engines

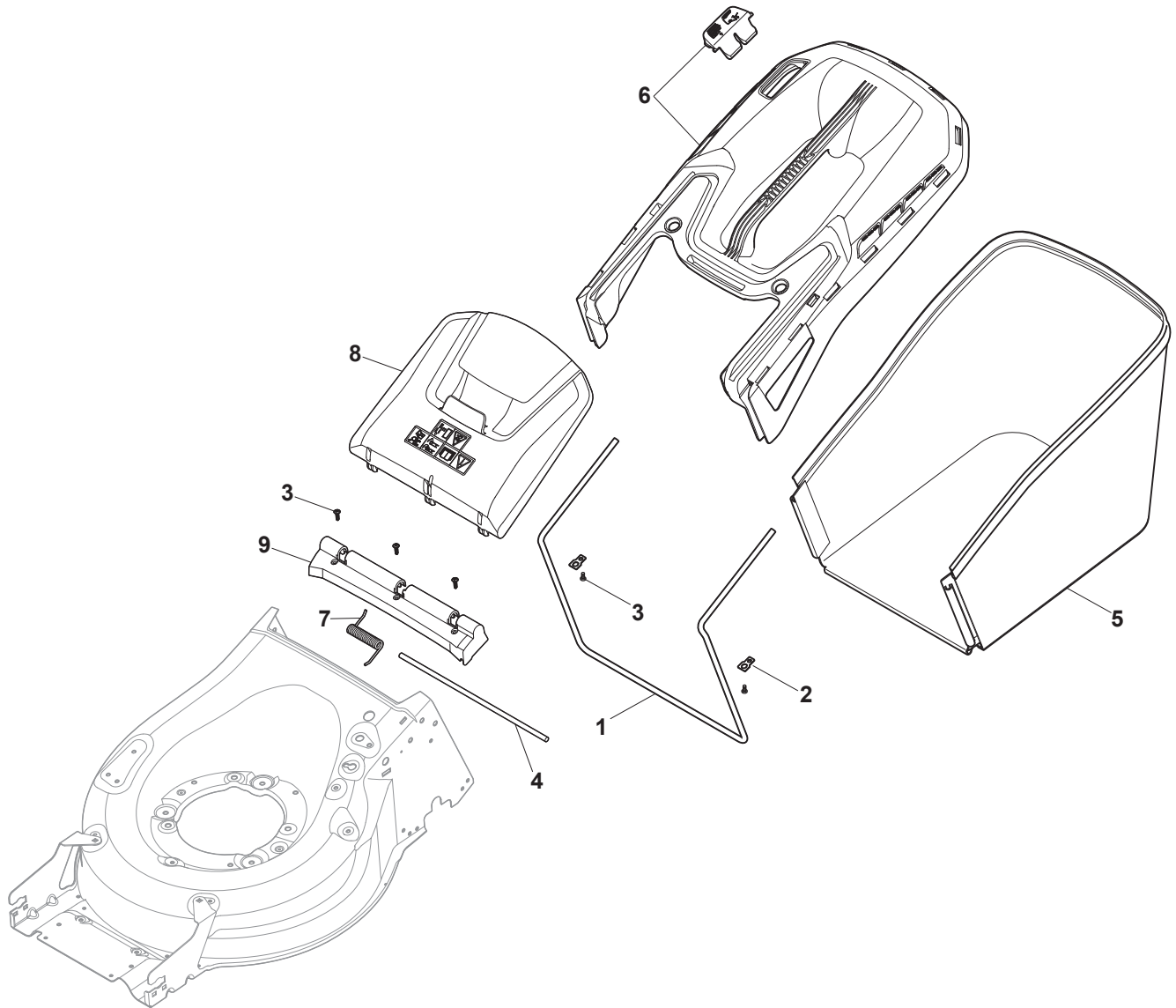


Fig.	Q.ty	Part No	Description	Notes
1	1	181006411/0	Fabric Box Frame	
2	2	322557177/0	Plate	
3	5	112728697/0	Screw	
4	1	122517884/0	Pin	
5	1	181102349/0	Cancas GrassCatcher	
6	1	381486039/0	Box, Upper Side Black	Black with Red Indicator
7	1	122450479/0	Spring	
8	1	322600308/0	Stone Guard, Black	
9	1	322109569/0	Black Stone Guard Support	

code	pos.	q.ty	page				
112139100/0	6	1	p. 15	322034002/0	15	1	p. 11
112154510/0	4	1	p. 7	322055262/0	1	1	p. 3
112154510/0	7	2	p. 13	322055263/0	2	1	p. 3
112154510/0	9	1	p. 7	322055524/0	4	1	p. 5
112154510/0	10	2	p. 11	322060270/1	8	1	p. 11
112154510/0	11	1	p. 3	322108315/0	1	1	p. 13
112436051/0	35	2	p. 3	322108316/0	6	1	p. 11
112521330/0	3	1	p. 7	322109569/0	9	1	p. 17
112521330/0	12	2	p. 11	322110643/0	3	2	p. 9
112523040/0	12	1	p. 3	322110644/0	5	2	p. 9
112523080/0	4	1	p. 15	322120115/0	7	2	p. 9
112604896/0	4	2	p. 13	322140245/0	16	1	p. 11
112608600/0	29	4	p. 3	322226215/0	5	1	p. 5
112645708/0	17	1	p. 11	322226229/0	5	1	p. 5
112645708/0	36	1	p. 3	322226243/0	5	1	p. 5
112727783/0	8	1	p. 7	322393742/0	6	1	p. 5
112727801/0	3	6	p. 11	322399835/0	14	4	p. 7
112727803/0	5	2	p. 13	322500111/0	1	1	p. 5
112728697/0	2	6	p. 5	322545152/0	18	2	p. 3
112728697/0	3	5	p. 17	322545213/0	4	2	p. 11
112728697/0	8	5	p. 3	322551640/0	12	1	p. 7
112728697/0	14	1	p. 11	322557177/0	2	2	p. 17
112728697/0	19	4	p. 3	322600145/0	37	2	p. 3
112728697/0	34	4	p. 3	322600208/0	38	2	p. 3
112728699/0	3	2	p. 5	322600308/0	8	1	p. 17
112728699/0	4	5	p. 3	322600309/0	2	1	p. 13
112728699/0	7	6	p. 11	322600310/0	5	1	p. 11
112728706/0	6	6	p. 9	322602026/0	3	1	p. 3
112735108/1	7	3	p. 15	322602027/0	9	1	p. 3
112735645/0	9	2	p. 11	322602028/0	10	1	p. 3
112735698/0	5	1	p. 15	322680016/0	16	4	p. 7
112815205/0	11	2	p. 11	322778473/0	20	1	p. 3
112815270/0	16	1	p. 3	322778475/0	15	1	p. 3
118203853/0	9	2	p. 13	322785305/1	33	2	p. 3
118390020/0	5	1	p. 7	322806639/0	6	1	p. 13
119035000/0	13	1	p. 11	322981471/1	7	1	p. 3
119216035/0	1	4	p. 9	381002047/0	31	1	p. 3
119216035/0	26	2	p. 3	381003253/0	18	2	p. 7
122131750/0	15	4	p. 7	381003376/0	6	1	p. 7
122160400/0	3	1	p. 15	381003475/1	14	1	p. 3
122170845/0	8	2	p. 9	381004777/0	7	1	p. 5
122430313/0	2	1	p. 7	381005195/0	1	1	p. 11
122450456/0	3	1	p. 13	381005197/0	2	1	p. 11
122450477/0	6	1	p. 3	381006739/1	1	1	p. 7
122450478/0	22	1	p. 3	381006745/1	1	1	p. 7
122450479/0	7	1	p. 17	381007478/1	4	2	p. 9
122450480/0	17	1	p. 3	381007483/1	2	2	p. 9
122465607/3	1	1	p. 15	381007563/0	13	1	p. 7
122517869/1	8	1	p. 13	381030104/0	11	1	p. 7
122517873/0	13	1	p. 3	381103350/0	17	2	p. 7
122517884/0	4	1	p. 17	381302885/0	23	1	p. 3
122519823/0	32	2	p. 3	381302889/0	24	1	p. 3
122570133/0	28	1	p. 3	381486039/0	6	1	p. 17
122570134/0	27	1	p. 3				
122601909/0	39	1	p. 3				
122753000/0	30	2	p. 3				
125943004/0	5	1	p. 3				
135063900/0	25	1	p. 3				
181003114/0	21	1	p. 3				
181003364/0	10	1	p. 7				
181004366/2	2	1	p. 15				
181006411/0	1	1	p. 17				
181030106/0	7	1	p. 7				
181102349/0	5	1	p. 17				