

# Parts Catalogue

for model  
**510BSPE675IS-3**

- Use GLOBAL GARDEN PRODUCT Genuine Spare Parts specified in the parts list for repair and/or replacement.
- The contents described in the parts list may change due to improvement.
- The drawings of the spare parts are only indicative and might not represent the part in question exactly.
- The indications "right" - "left" - "front" - "rear" refer to the position of the operator when using the machine.
- When placing orders of parts for repair and/or replacement, make sure that the illustrated parts list is the one applying to the machine's year of manufacture, as shown on the identification plate attached to the machine.

© Copyright 2017 Global Garden Products

All content is subject to copyright by Global Garden Products and may not be reproduced in whole or in part by any means, electronic or otherwise, without prior written approval.

THIS INFORMATION IS NOT INTENDED FOR SALE OR RESALE, AND THIS NOTICE MUST REMAIN ON ALL COPIES.



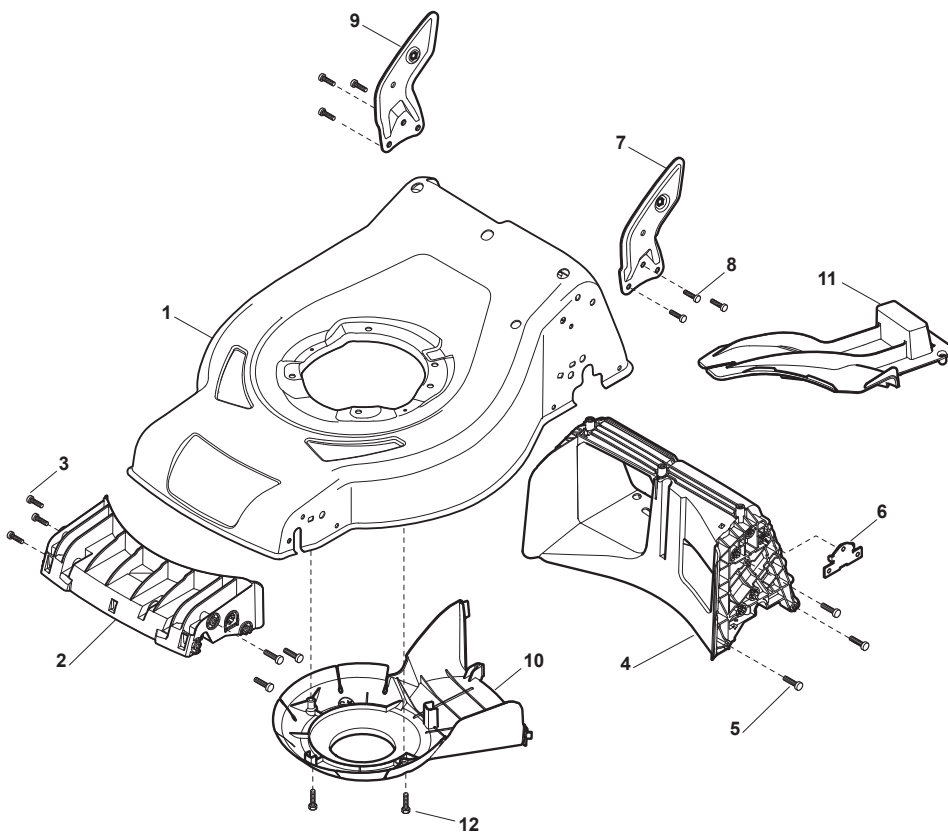


Fig.	Q.ty	Part No	Description	Notes
1	1	381004549/0	Black Deck	
2	1	322108308/0	Rear Conveyor Assy	
3	6	112728699/0	Screw	
4	1	322108302/0	Rear Conveyor Assy	
5	6	112728699/0	Screw	
6	2	322545213/0	Plate	
7	1	381005167/0	Left Bracket	
8	6	112727801/0	Screw	
9	1	381005165/0	Right Bracket	
10	1	322060250/0	Belt Protection	
11	1	322140244/0	Mulching Plug	
12	2	112728530/0	Screw	

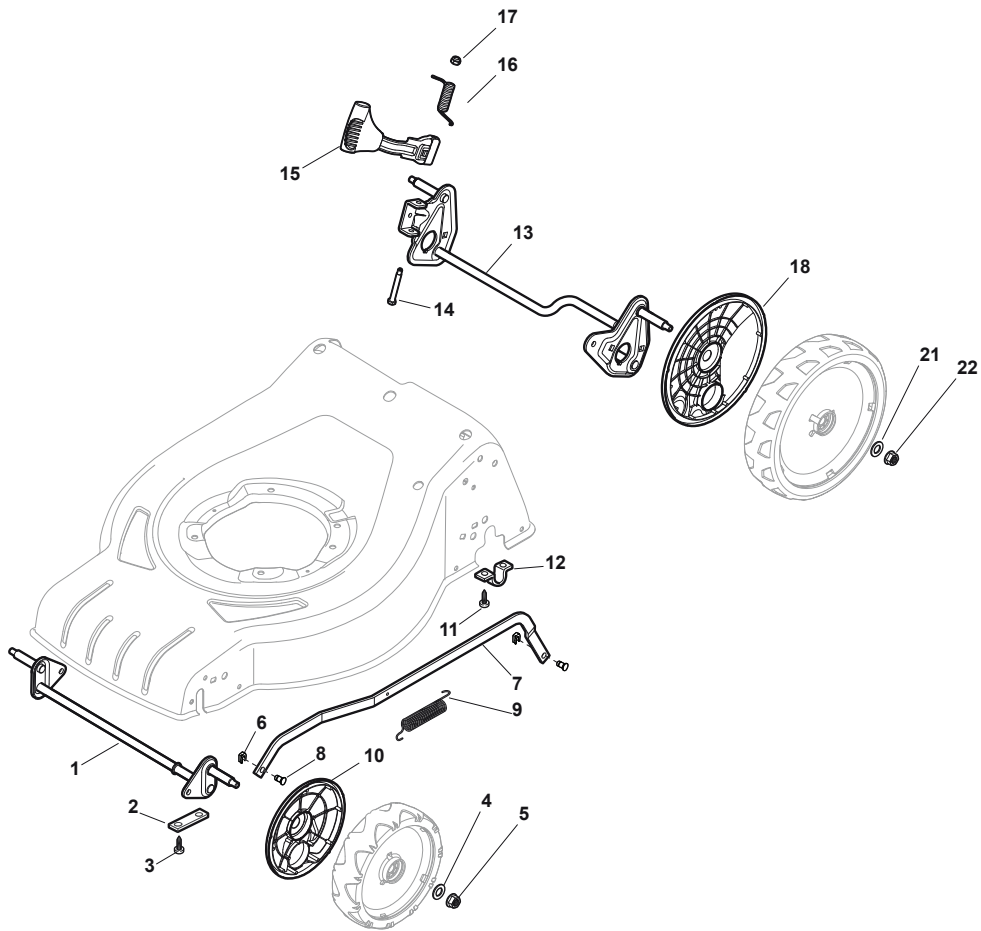
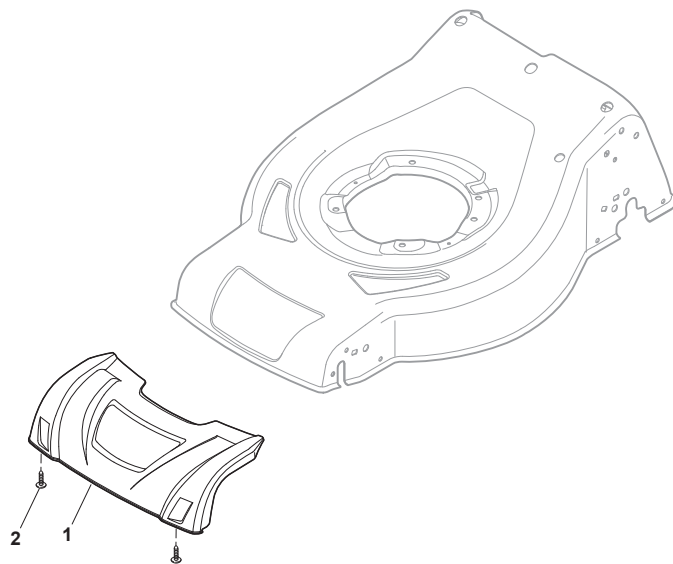


Fig.	Q.ty	Part No	Description	Notes
1	1	381302853/0	Front Wheel Axle	
2	2	322545142/0	Plate	
3	4	112728698/0	Screw	
4	2	112521350/0	Washer	
5	2	112155000/0	Nut	
6	2	112436051/0	Plate	
7	1	322869679/0	Rod, Height Adjustment	
8	2	122519823/0	Pin	
9	1	122446193/0	Spring	
10	2	322600145/0	Protection, Wheel	D. 200
11	4	112728698/0	Screw	
12	2	322545152/0	Plate	
13	1	381302849/0	Rear Wheel Axle	
14	1	122534131/0	Pin	
15	1	381003357/0	Wheels Rear Adj. Lever	
16	1	122446192/0	Spring	
17	1	112154510/0	Nut	
18	2	322600240/0	Protection, Wheel	
21	2	112521350/0	Washer	
22	2	112155000/0	Nut	



# 510BSPE675IS-3

Petrol Lawn Mower Mask

Issue 5 - 2017

Fig.	Q.ty	Part No	Description	Notes
1	1	322226169/0	Mask, Black	
2	2	112728698/0	Screw	

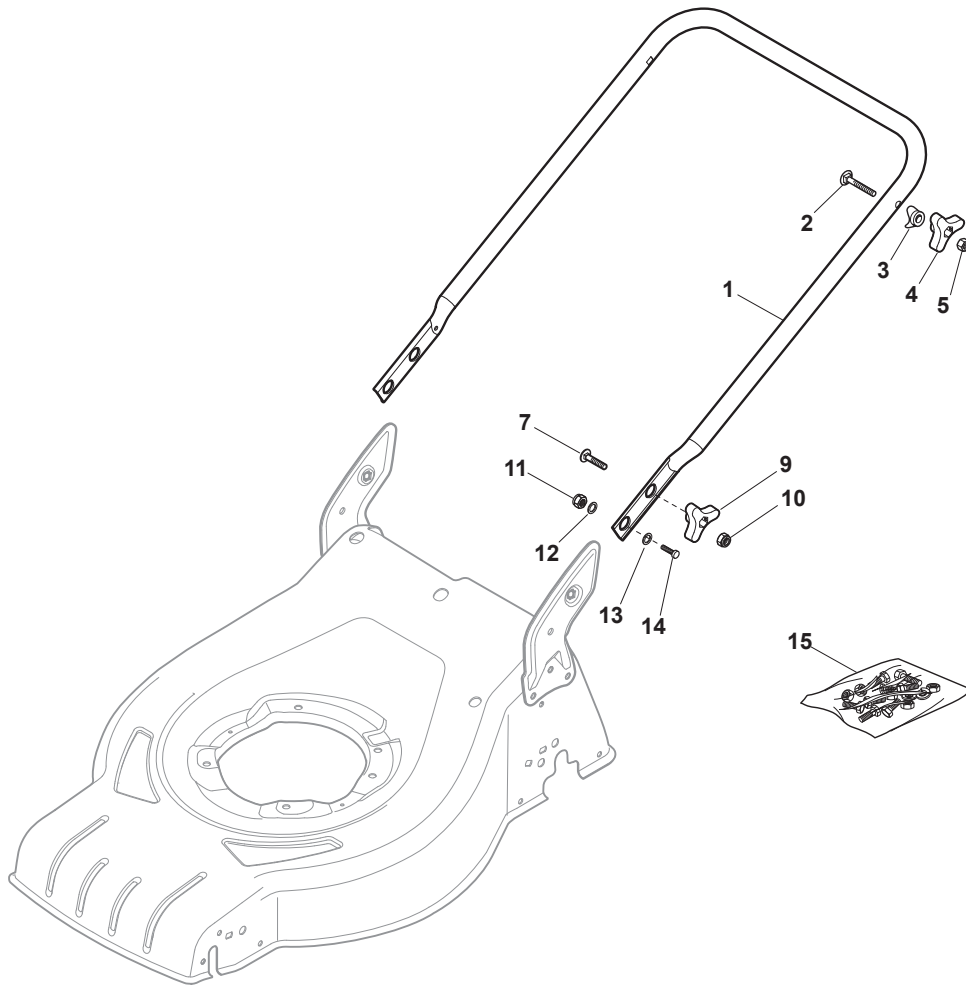




Fig.	Q.ty	Part No	Description	Notes
1	1	381006785/0	Handle Lower Part	Black
2	2	112819110/0	Screw	
3	2	122671651/0	Washer	
4	2	322399846/0	Red Knob	Red
5	2	112293200/0	Nut	
7	2	112818900/0	Screw	
9	2	322399846/0	Red Knob	Red
10	2	112293200/0	Nut	
11	2	112155000/0	Nut	
12	2	112521350/0	Washer	
13	2	112369500/0	Elastic Washer	
14	2	112760605/0	Screw	
15	1	381008695/0	Outfit, Screws	Red

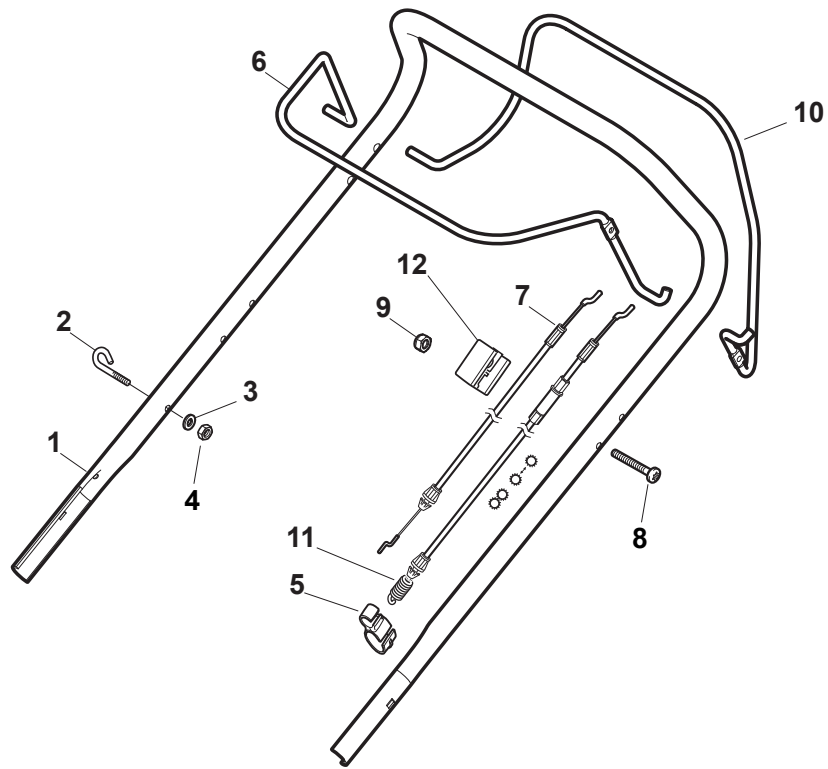


Fig.	Q.ty	Part No	Description	Notes
1	1	381006739/1	Handle, Upper Part	Black with Sponge
1	1	381006745/1	Handle, Upper Part with sponge handgrip	Black without Sponge
2	1	122430313/0	Guide Spring	
3	1	112521330/0	Washer	
4	1	112154510/0	Nut	
5	1	118390020/0	Conduit Clip	
6	1	381003376/0	Lever, Engine Brake Red	Red
7	1	181030088/0	Cable, Thread Engine Brake	
8	1	112727783/0	Screw	
9	1	112154510/0	Nut	
10	1	181003364/0	Drive Control Lever	Black
11	1	381030051/0	Cable Rear Drive	
12	1	322551640/0	Plate	

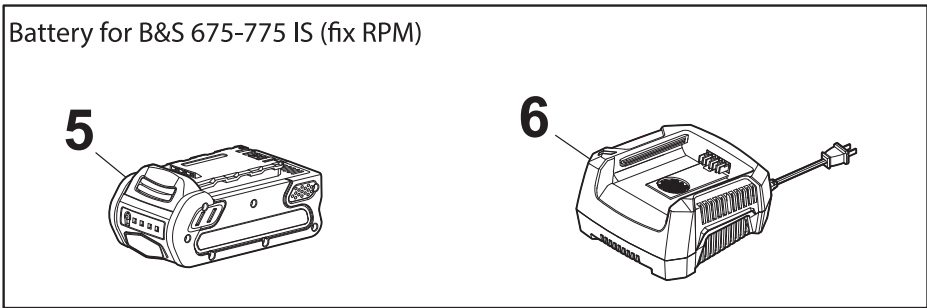
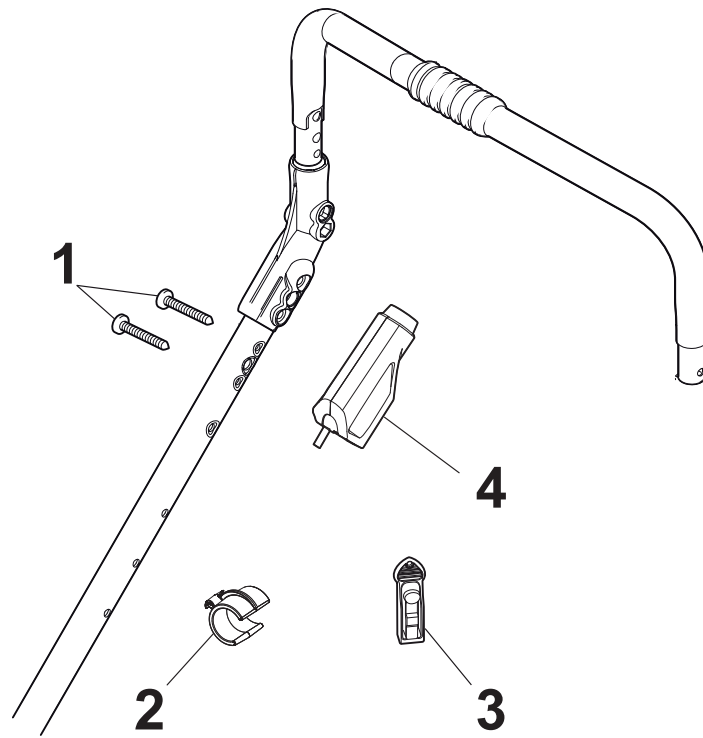


Fig.	Q.ty	Part No	Description	Notes
1	1	112728702/0	Screw	without Varietor
1	1	112728300/0	Screw	with Varietor
2	1	133320022/0	Fastpoint Clamp	
3	1	322076570/1	Battery Safety Key	
4	1	381600401/0	Switch	
5	1	118120061/0	Battery	
6	1	118204136/0	Battery Charger	CE plug
6	1	118204137/0	Battery Charger	UK plug

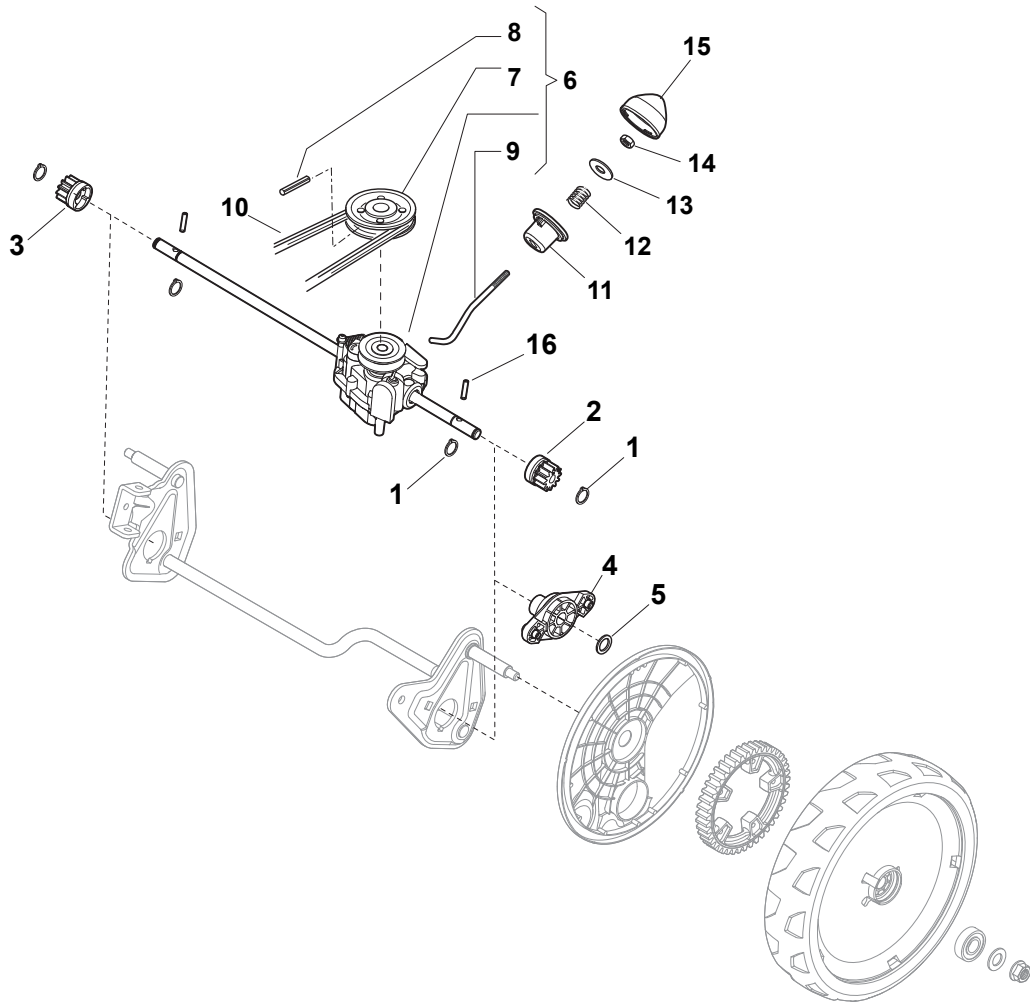


Fig.	Q.ty	Part No	Description	Notes
1	4	112608600/0	Seeger	
2	1	122570134/0	Left Pinion	
3	1	122570133/0	Right Pinion	
4	2	322042067/0	Bushing	
5	2	112521371/0	Washer	
6	1	181003092/0	Gear Box	
7	1	122601909/0	Pulley	
8	1	112645705/0	Elastic Pin	
9	1	122033283/0	Adjustment Rod	
10	1	135064196/0	Belt	
11	1	122041957/1	Bushing	
12	1	122450063/0	Spring	
13	1	322680009/0	Washer	
14	1	112154510/0	Nut	
15	1	122110230/0	Hub Cover	
16	2	122753000/0	Pin	

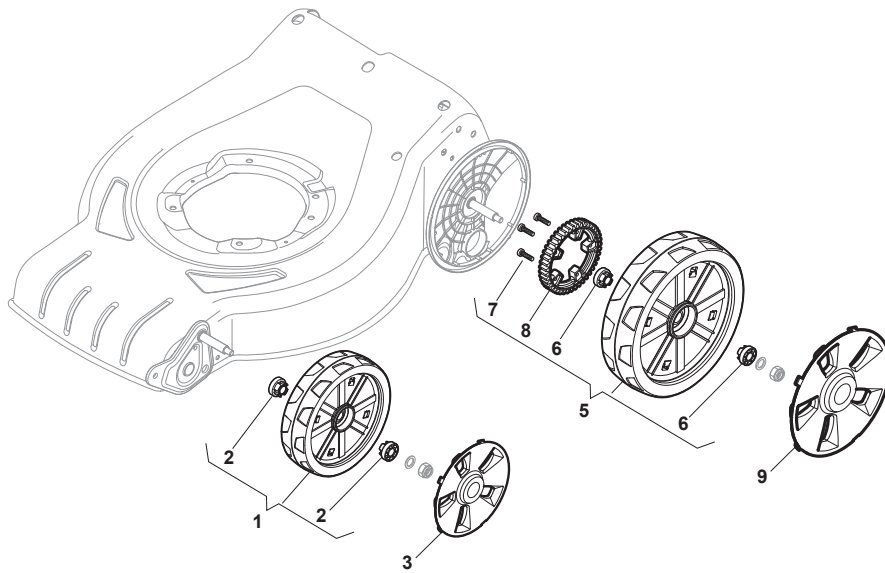




Fig.	Q.ty	Part No	Description	Notes
1	2	381007481/1	Wheel	
2	4	322042064/0	Bushing	
3	2	322110643/0	Hub Cap Grey	Grey
5	2	381007486/1	Wheel	
6	4	322042064/0	Bushing	
7	6	112728706/0	Screw	
8	2	322120115/0	Wheels Crown	
9	2	322110644/0	Hub Cap Grey	Grey

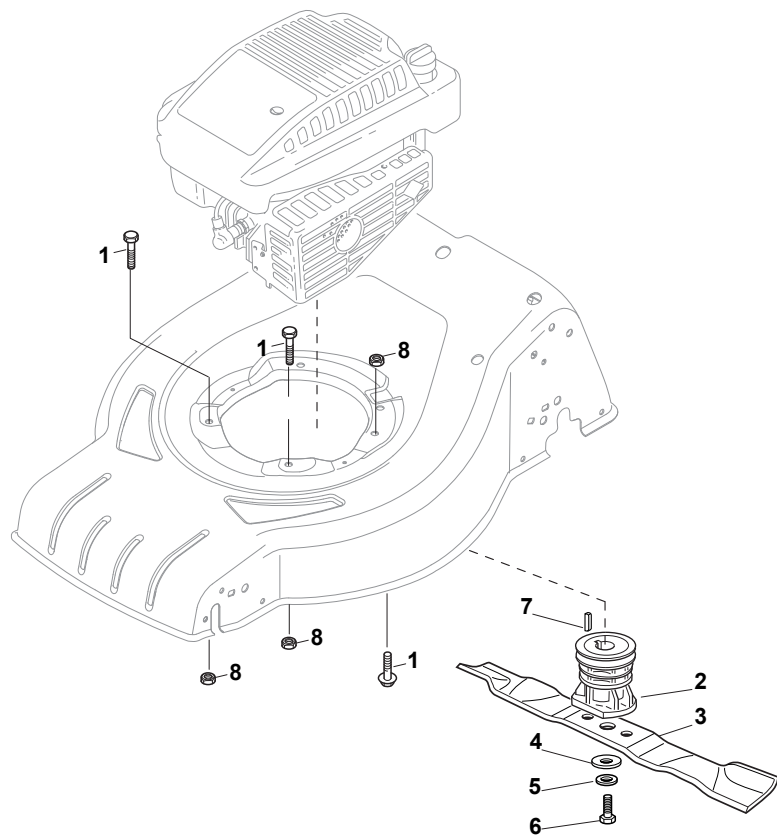


Fig.	Q.ty	Part No	Description	Notes
1	3	112735108/1	Screw	
2	1	122465607/3	Hub With Pulley, Crankshaft Ø 22.2	
3	1	181004459/0	Blade	
4	1	112523080/0	Washer	
5	1	122160400/0	Elastic Disc	
6	1	112735698/0	Screw	
7	1	112139100/0	Key	
8	3	112154210/0	Nut	

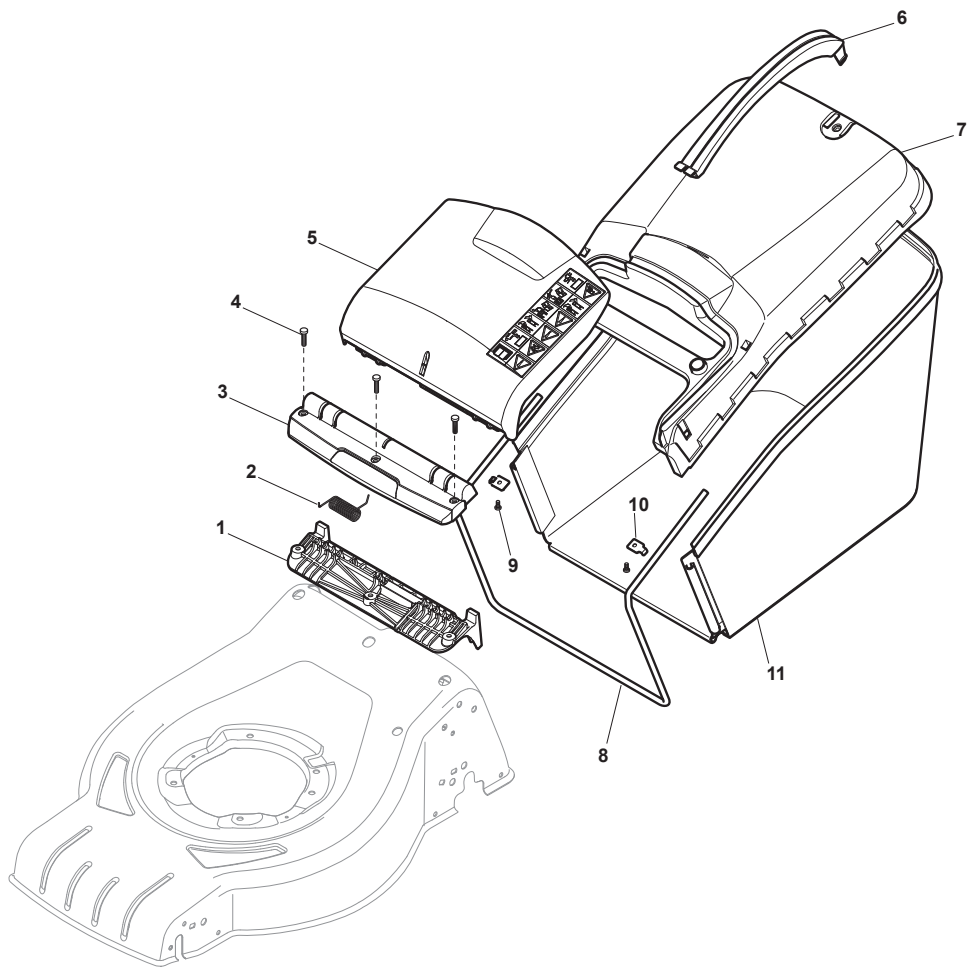


Fig.	Q.ty	Part No	Description	Notes
1	1	322785331/0	Black Stone Guard Support	
2	1	122450464/0	Spring	
3	1	322109554/0	Stone Guard Supp. Cover Black	Black
4	3	112728699/0	Screw	
5	1	322600206/1	Stone Guard, Black	Black
6	1	322393644/0	Handle, Black	Black
7	7	322486262/0	Grasscatcher Upper Part, Black	Black
8	1	122608561/0	Grasscatcher Lower Stiffening	
9	2	112728692/0	Screw	
10	2	322545159/0	Plate	
11	1	181002318/0	Box, Fabric	

code	pos.	q.ty	page				
112139100/0	7	1	p. 19	181003092/0	6	1	p. 15
112154210/0	8	3	p. 19	181003364/0	10	1	p. 11
112154510/0	4	1	p. 11	181004459/0	3	1	p. 19
112154510/0	9	1	p. 11	181030088/0	7	1	p. 11
112154510/0	14	1	p. 15	322042064/0	2	4	p. 17
112154510/0	17	1	p. 5	322042064/0	6	4	p. 17
112155000/0	5	2	p. 5	322042067/0	4	2	p. 15
112155000/0	11	2	p. 9	322060250/0	10	1	p. 3
112155000/0	22	2	p. 5	322076570/1	3	1	p. 13
112293200/0	5	2	p. 9	322108302/0	4	1	p. 3
112293200/0	10	2	p. 9	322108308/0	2	1	p. 3
112369500/0	13	2	p. 9	322109554/0	3	1	p. 21
112436051/0	6	2	p. 5	322110643/0	3	2	p. 17
112521330/0	3	1	p. 11	322110644/0	9	2	p. 17
112521350/0	4	2	p. 5	322120115/0	8	2	p. 17
112521350/0	12	2	p. 9	322140244/0	11	1	p. 3
112521350/0	21	2	p. 5	322226169/0	1	1	p. 7
112521371/0	5	2	p. 15	322393644/0	6	1	p. 21
112523080/0	4	1	p. 19	322399846/0	4	2	p. 9
112608600/0	1	4	p. 15	322399846/0	9	2	p. 9
112645705/0	8	1	p. 15	322486262/0	7	7	p. 21
112727783/0	8	1	p. 11	322545142/0	2	2	p. 5
112727801/0	8	6	p. 3	322545152/0	12	2	p. 5
112728300/0	1	1	p. 13	322545159/0	10	2	p. 21
112728530/0	12	2	p. 3	322545213/0	6	2	p. 3
112728692/0	9	2	p. 21	322551640/0	12	1	p. 11
112728698/0	2	2	p. 7	322600145/0	10	2	p. 5
112728698/0	3	4	p. 5	322600206/1	5	1	p. 21
112728698/0	11	4	p. 5	322600240/0	18	2	p. 5
112728699/0	3	6	p. 3	322680009/0	13	1	p. 15
112728699/0	4	3	p. 21	322785331/0	1	1	p. 21
112728699/0	5	6	p. 3	322869679/0	7	1	p. 5
112728702/0	1	1	p. 13	381003357/0	15	1	p. 5
112728706/0	7	6	p. 17	381003376/0	6	1	p. 11
112735108/1	1	3	p. 19	381004549/0	1	1	p. 3
112735698/0	6	1	p. 19	381005165/0	9	1	p. 3
112760605/0	14	2	p. 9	381005167/0	7	1	p. 3
112818900/0	7	2	p. 9	381006739/1	1	1	p. 11
112819110/0	2	2	p. 9	381006745/1	1	1	p. 11
118120061/0	5	1	p. 13	381006785/0	1	1	p. 9
118204136/0	6	1	p. 13	381007481/1	1	2	p. 17
118204137/0	6	1	p. 13	381007486/1	5	2	p. 17
118390020/0	5	1	p. 11	381008695/0	15	1	p. 9
122033283/0	9	1	p. 15	381030051/0	11	1	p. 11
122041957/1	11	1	p. 15	381302849/0	13	1	p. 5
122110230/0	15	1	p. 15	381302853/0	1	1	p. 5
122160400/0	5	1	p. 19	381600401/0	4	1	p. 13
122430313/0	2	1	p. 11				
122446192/0	16	1	p. 5				
122446193/0	9	1	p. 5				
122450063/0	12	1	p. 15				
122450464/0	2	1	p. 21				
122465607/3	2	1	p. 19				
122519823/0	8	2	p. 5				
122534131/0	14	1	p. 5				
122570133/0	3	1	p. 15				
122570134/0	2	1	p. 15				
122601909/0	7	1	p. 15				
122608561/0	8	1	p. 21				
122671651/0	3	2	p. 9				
122753000/0	16	2	p. 15				
133320022/0	2	1	p. 13				
135064196/0	10	1	p. 15				
181002318/0	11	1	p. 21				