

# Parts Catalogue

for model  
**510HSPA160-3**

- Use GLOBAL GARDEN PRODUCT Genuine Spare Parts specified in the parts list for repair and/or replacement.
- The contents described in the parts list may change due to improvement.
- The drawings of the spare parts are only indicative and might not represent the part in question exactly.
- The indications "right" - "left" - "front" - "rear" refer to the position of the operator when using the machine.
- When placing orders of parts for repair and/or replacement, make sure that the illustrated parts list is the one applying to the machine's year of manufacture, as shown on the identification plate attached to the machine.

© Copyright 2017 Global Garden Products

All content is subject to copyright by Global Garden Products and may not be reproduced in whole or in part by any means, electronic or otherwise, without prior written approval.

THIS INFORMATION IS NOT INTENDED FOR SALE OR RESALE, AND THIS NOTICE MUST REMAIN ON ALL COPIES.



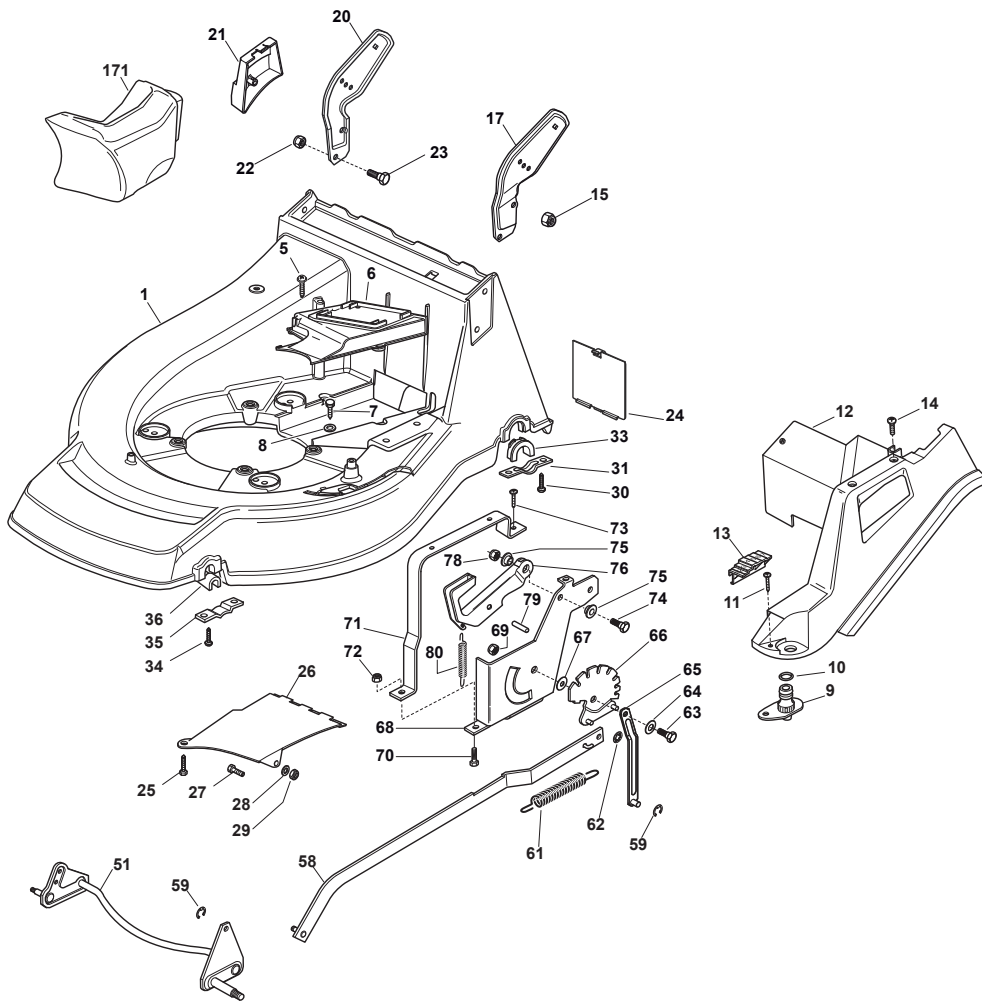


Fig.	Q.ty	Part No	Description	Notes
1	1	381004744/0	Grey Deck	
5	2	112728522/0	Screw	
6	1	322060200/1	Belt Protection	Not For BBC Models
7	1	112731350/0	Screw	
8	2	112523040/0	Washer	
9	1	122034000/0	Washing Connection	
10	1	119035000/0	Or Ring	
11	3	112728519/0	Screw	
12	1	322060144/3	Deck, Adjustment	
13	1	122570200/0	Position Plate	
14	1	112728520/0	Screw	
15	2	112155000/0	Nut	
17	1	322778397/1	Left Bracket	
20	1	322778396/1	Right Bracket	
21	1	122601001/0	Right Bracket Protection	
22	2	112155000/0	Nut	
23	2	112793301/0	Screw	
24	1	122595352/0	Inspection Door	
25	1	112729600/0	Screw	
25	1	112731350/0	Screw	
26	1	322108205/1	Conveyor	
27	1	112789000/0	Screw	
28	1	112523020/0	Washer	
29	1	112154330/0	Nut	
30	4	112731350/0	Screw	
31	2	322545147/0	Plate	
33	2	322038407/0	Brass	
34	4	112731350/0	Screw	
35	2	322545156/0	Plate	
36	2	122038400/1	Brass	
51	1	381302865/0	Axle, Front Wheels	
58	1	381002040/0	Rod, Height Adjustment	
59	2	112000930/0	Benzing Ring	
61	1	122446187/0	Spring	
62	2	112604899/0	Crown Fastener	
63	1	122529662/0	Fulcrum Pin	
64	1	322672151/0	Antifriction Washer	
65	1	381001269/0	Rear Wheel Axle	
66	1	381000479/1	Sector, Height Adjustment	
66	1	381000479/2	Sector, Height Adjustment	
67	1	322672152/0	Antifriction Washer	
68	1	322785109/0	Support, Height Adjustment	
69	1	112155000/0	Nut	
70	2	112793301/0	Screw	
71	1	322785113/0	Handle Support	
72	2	112293201/0	Nut	
73	1	112729600/0	Screw	
74	1	112793301/0	Screw	
75	2	125038002/1	Bushing	
76	1	322393611/2	Height Adjustment Handle	
78	1	112293201/0	Nut	

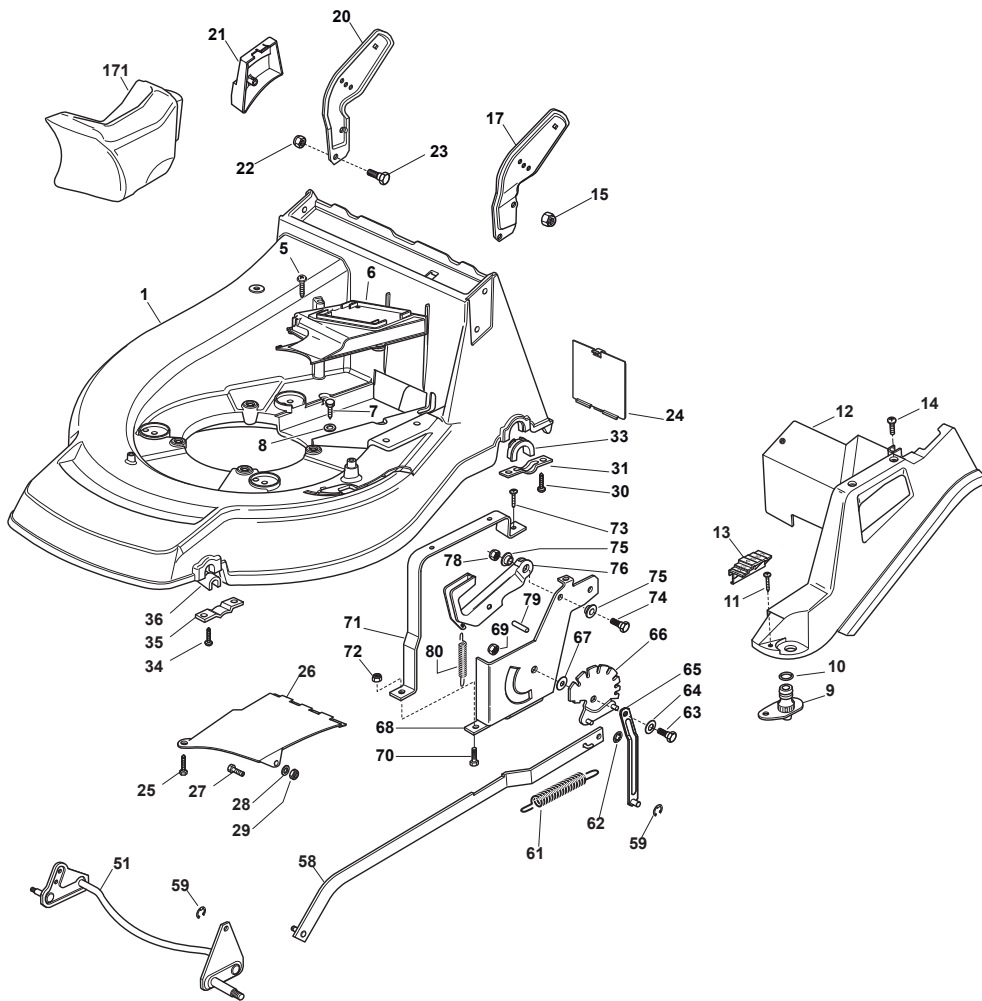


Fig.	Q.ty	Part No	Description	Notes
79	1	112622640/0	Pin	
80	1	122446175/0	Spring	
171	1	322140224/1	Cap	

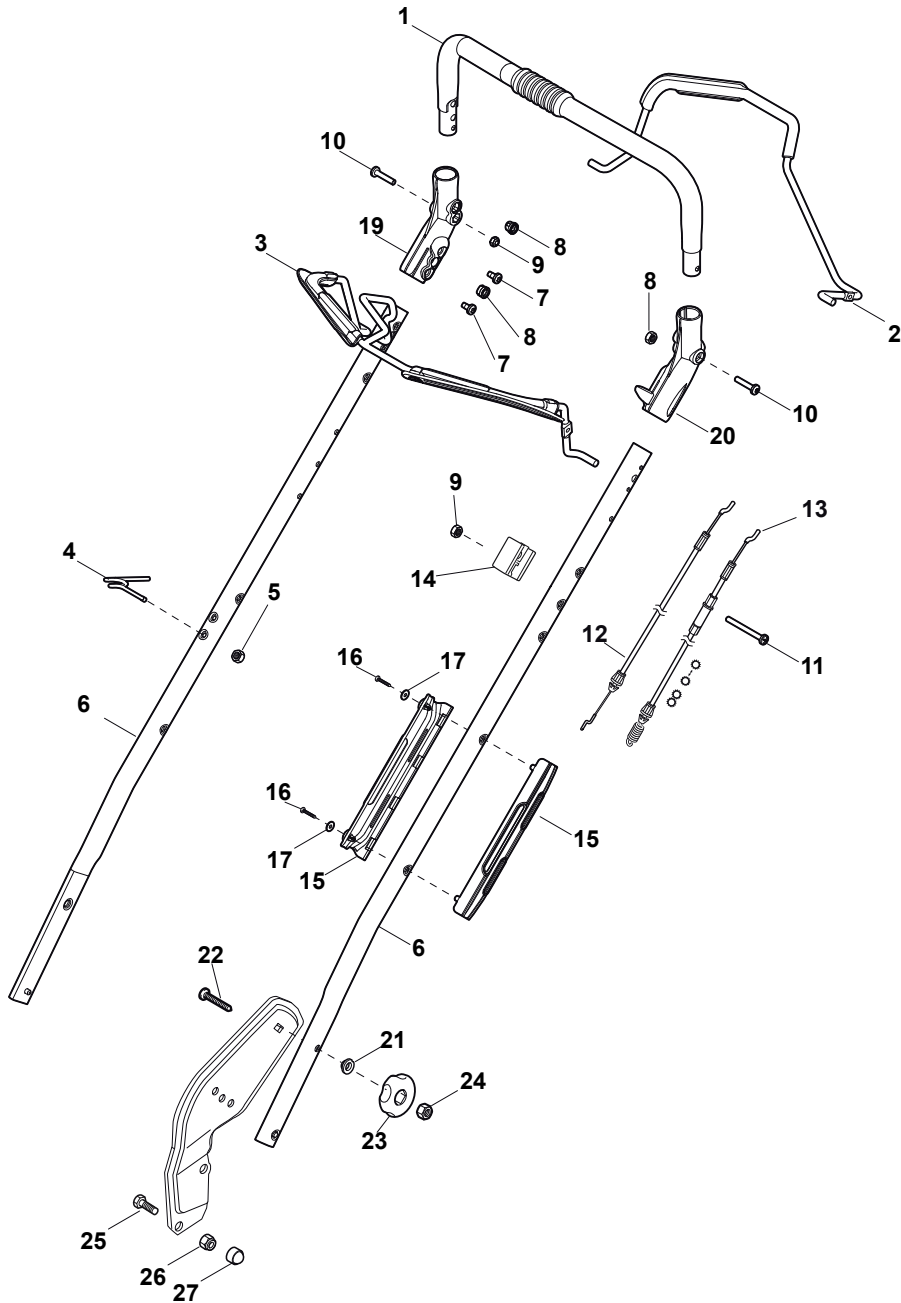


Fig.	Q.ty	Part No	Description	Notes
1	1	381006670/2	Handle Tube	
2	1	381003349/0	Lever, Driving	
3	1	381003344/1	Lever, Engine Brake	Red
4	1	122430309/0	Spring	
5	1	112154330/0	Nut	
6	2	381007047/0	Handle Grey Upper Part	Grey
7	4	112735662/1	Screw	
8	4	322041967/1	Bushing	
9	3	112154510/0	Nut	
10	2	112728721/0	Screw	
11	1	112727784/0	Screw	
12	1	181030101/0	Cable, Thread Engine Brake	
13	1	381030098/0	Dirve Cable	for FIX Rpm
14	1	322551639/0	Fixed Plate	
15	2	322806644/0	Protection	
16	2	112727812/0	Screw	
17	2	112523000/1	Washer	
19	1	322488301/0	Joint Sleeve Grey Right	
20	1	322488303/0	Joining Sleeve Grey Left	
21	2	122671651/0	Washer	
22	2	112819105/0	Screw	
23	2	322399804/1	Black, Knob	
24	2	112293200/0	Nut	
25	2	112793301/0	Screw	
26	2	112155000/0	Nut	
27	2	118203854/0	Cap	

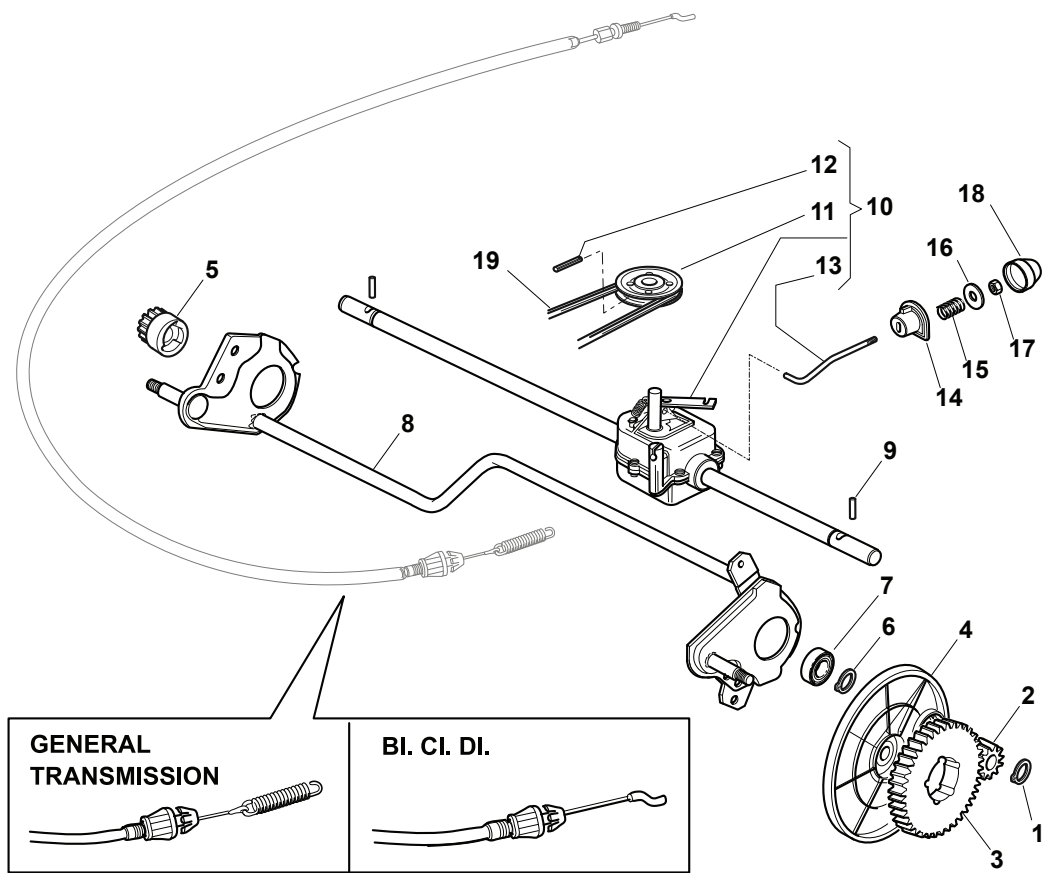




Fig.	Q.ty	Part No	Description	Notes
1	2	112608600/0	Seeger	
2	1	122570120/1	Pinion Left	
3	2	122120105/2	Ring Gear	
4	2	322600268/0	Protection, Wheel	
5	1	122570110/1	Pinion Right	
6	2	112608600/0	Seeger	
7	2	119216035/0	Bearing	
8	1	381302867/0	Axle, Rear Wheels	
9	2	122753000/0	Pin	
10	1	181003079/1	Gear Box (Black)	(GT)
10	1	181003082/1	Gear Box Bi.Ci.Di (Grey)	(Bi. Ci. Di.)
11	1	122601909/0	Pulley	
12	1	112645705/0	Elastic Pin	
13	1	122033281/0	Adjustment Rod	
14	1	122041957/1	Bushing	
15	1	122450063/0	Spring	
16	1	322680009/0	Washer	
17	1	112154510/0	Nut	
18	1	122110230/0	Hub Cover	
19	1	135064195/0	Belt	

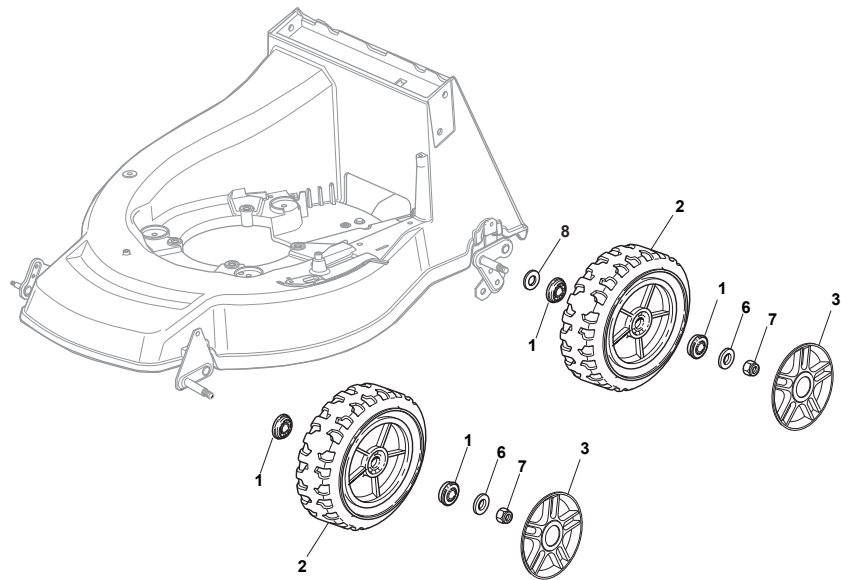


Fig.	Q.ty	Part No	Description	Notes
1	8	119216035/0	Bearing	
2	4	381007390/1	Wheel	
3	4	322110492/0	Hub Cap Grey	
6	8	112521350/0	Washer	
7	8	112155000/0	Nut	
8	4	112530150/0	Spring Washer	

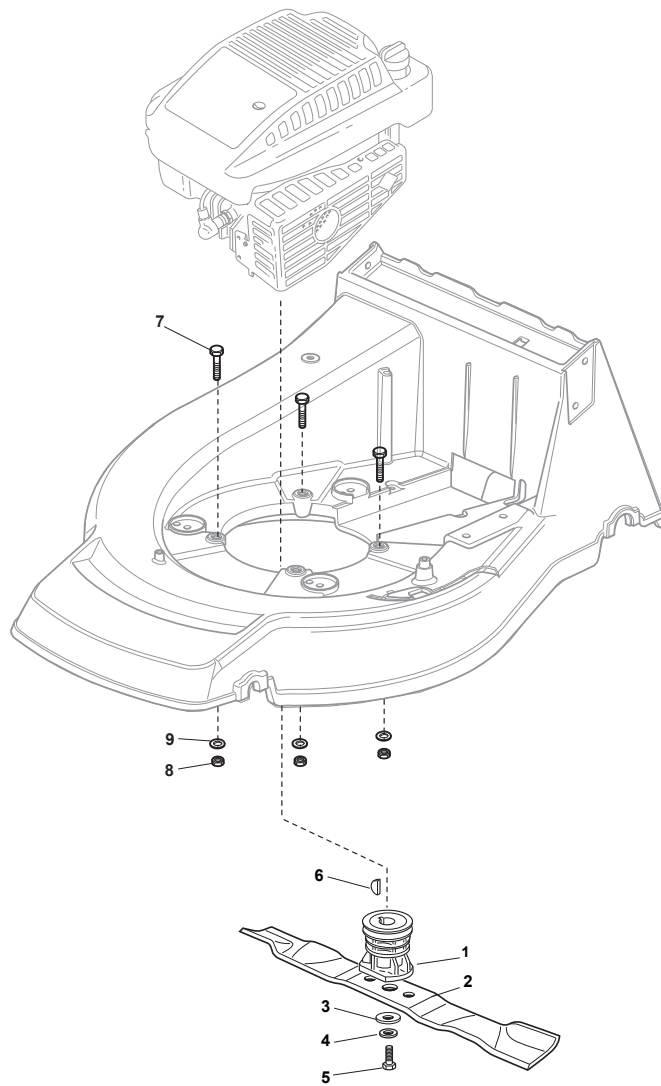


Fig.	Q.ty	Part No	Description	Notes
1	1	122465608/2	Hub With Pulley, Crankshaft Ø 25	
2	1	181004381/1	Blade Standard	
3	1	122160400/0	Elastic Disc	
4	1	112523080/0	Washer	
5	1	112735698/0	Screw	
6	1	112139150/0	Feather, Crankshaft Ø 25	
7	3	112691900/0	Screw	
8	3	112155000/0	Nut	

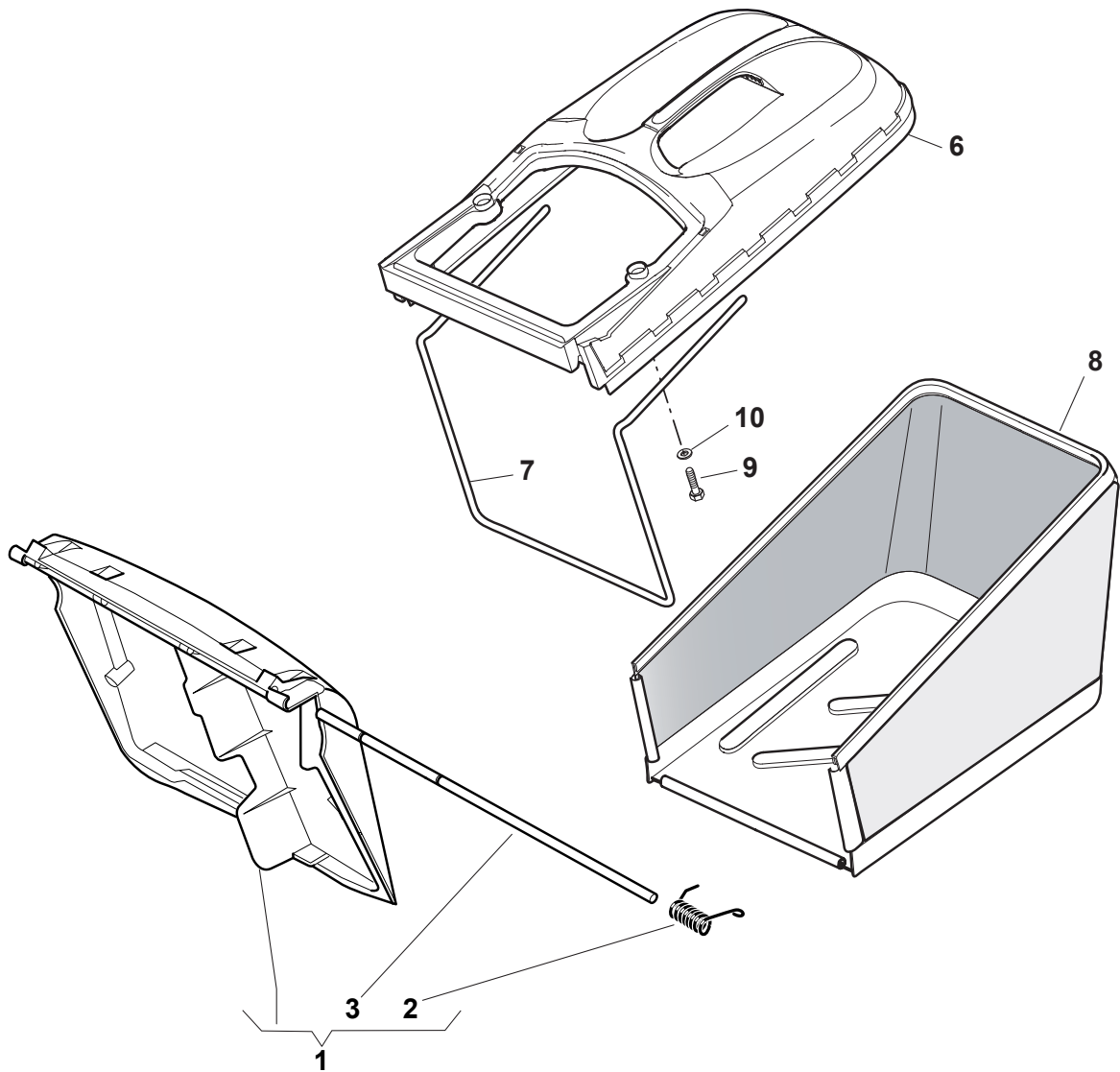


Fig.	Q.ty	Part No	Description	Notes
1	1	381008050/0	Stone Guard, Black	Black
2	1	122451000/0	Spring	
3	1	122517856/1	Pin	
6	1	322486102/0	Grass-Box, Upper Part	
7	1	122608526/0	Grasscatcher Lower Stiffening	
8	1	181002212/0	Box, Fabric	
9	2	112728680/0	Screw	
10	2	112523050/0	Washer	

code	pos.	q.ty	page				
112000930/0	59	2	p. 3	122451000/0	2	1	p. 15
112139150/0	6	1	p. 13	122465608/2	1	1	p. 13
112154330/0	5	1	p. 7	122517856/1	3	1	p. 15
112154330/0	29	1	p. 3	122529662/0	63	1	p. 3
112154510/0	9	3	p. 7	122570110/1	5	1	p. 9
112154510/0	17	1	p. 9	122570120/1	2	1	p. 9
112155000/0	7	8	p. 11	122570200/0	13	1	p. 3
112155000/0	8	3	p. 13	122595352/0	24	1	p. 3
112155000/0	15	2	p. 3	122601001/0	21	1	p. 3
112155000/0	22	2	p. 3	122601909/0	11	1	p. 9
112155000/0	26	2	p. 7	122608526/0	7	1	p. 15
112155000/0	69	1	p. 3	122671651/0	21	2	p. 7
112293200/0	24	2	p. 7	122753000/0	9	2	p. 9
112293201/0	72	2	p. 3	125038002/1	75	2	p. 3
112293201/0	78	1	p. 3	135064195/0	19	1	p. 9
112521350/0	6	8	p. 11	181002212/0	8	1	p. 15
112523000/1	17	2	p. 7	181003079/1	10	1	p. 9
112523020/0	28	1	p. 3	181003082/1	10	1	p. 9
112523040/0	8	2	p. 3	181004381/1	2	1	p. 13
112523050/0	10	2	p. 15	181030101/0	12	1	p. 7
112523080/0	4	1	p. 13	322038407/0	33	2	p. 3
112530150/0	8	4	p. 11	322041967/1	8	4	p. 7
112604899/0	62	2	p. 3	322060144/3	12	1	p. 3
112608600/0	1	2	p. 9	322060200/1	6	1	p. 3
112608600/0	6	2	p. 9	322108205/1	26	1	p. 3
112622640/0	79	1	p. 5	322110492/0	3	4	p. 11
112645705/0	12	1	p. 9	322140224/1	171	1	p. 5
112691900/0	7	3	p. 13	322393611/2	76	1	p. 3
112727784/0	11	1	p. 7	322399804/1	23	2	p. 7
112727812/0	16	2	p. 7	322486102/0	6	1	p. 15
112728519/0	11	3	p. 3	322488301/0	19	1	p. 7
112728520/0	14	1	p. 3	322488303/0	20	1	p. 7
112728522/0	5	2	p. 3	322545147/0	31	2	p. 3
112728680/0	9	2	p. 15	322545156/0	35	2	p. 3
112728721/0	10	2	p. 7	322551639/0	14	1	p. 7
112729600/0	25	1	p. 3	322600268/0	4	2	p. 9
112729600/0	73	1	p. 3	322672151/0	64	1	p. 3
112731350/0	7	1	p. 3	322672152/0	67	1	p. 3
112731350/0	25	1	p. 3	322680009/0	16	1	p. 9
112731350/0	30	4	p. 3	322778396/1	20	1	p. 3
112731350/0	34	4	p. 3	322778397/1	17	1	p. 3
112735662/1	7	4	p. 7	322785109/0	68	1	p. 3
112735698/0	5	1	p. 13	322785113/0	71	1	p. 3
112789000/0	27	1	p. 3	322806644/0	15	2	p. 7
112793301/0	23	2	p. 3	381000479/1	66	1	p. 3
112793301/0	25	2	p. 7	381000479/2	66	1	p. 3
112793301/0	70	2	p. 3	381001269/0	65	1	p. 3
112793301/0	74	1	p. 3	381002040/0	58	1	p. 3
112819105/0	22	2	p. 7	381003344/1	3	1	p. 7
118203854/0	27	2	p. 7	381003349/0	2	1	p. 7
119035000/0	10	1	p. 3	381004744/0	1	1	p. 3
119216035/0	1	8	p. 11	381006670/2	1	1	p. 7
119216035/0	7	2	p. 9	381007047/0	6	2	p. 7
122033281/0	13	1	p. 9	381007390/1	2	4	p. 11
122034000/0	9	1	p. 3	381008050/0	1	1	p. 15
122038400/1	36	2	p. 3	381030098/0	13	1	p. 7
122041957/1	14	1	p. 9	381302865/0	51	1	p. 3
122110230/0	18	1	p. 9	381302867/0	8	1	p. 9
122120105/2	3	2	p. 9				
122160400/0	3	1	p. 13				
122430309/0	4	1	p. 7				
122446175/0	80	1	p. 5				
122446187/0	61	1	p. 3				
122450063/0	15	1	p. 9				