

GENUINE SPARE PARTS

A 102 HB Model Year 2011

- Use GLOBAL GARDEN PRODUCT Genuine Spare Parts specified in the parts list for repair and/or replacement.
- The contents described in the parts list may change due to improvement.
- The drawings of the spare parts are only indicative and might not represent the part in question exactly.
- The indications "right" - "left" - "front" - "rear" refer to the position of the operator when using the machine.
- When placing orders of parts for repair and/or replacement, make sure that the illustrated parts list is the one applying to the machine's year of manufacture, as shown on the identification plate attached to the machine.

COPYRIGHT by GLOBAL GARDEN PRODUCTS

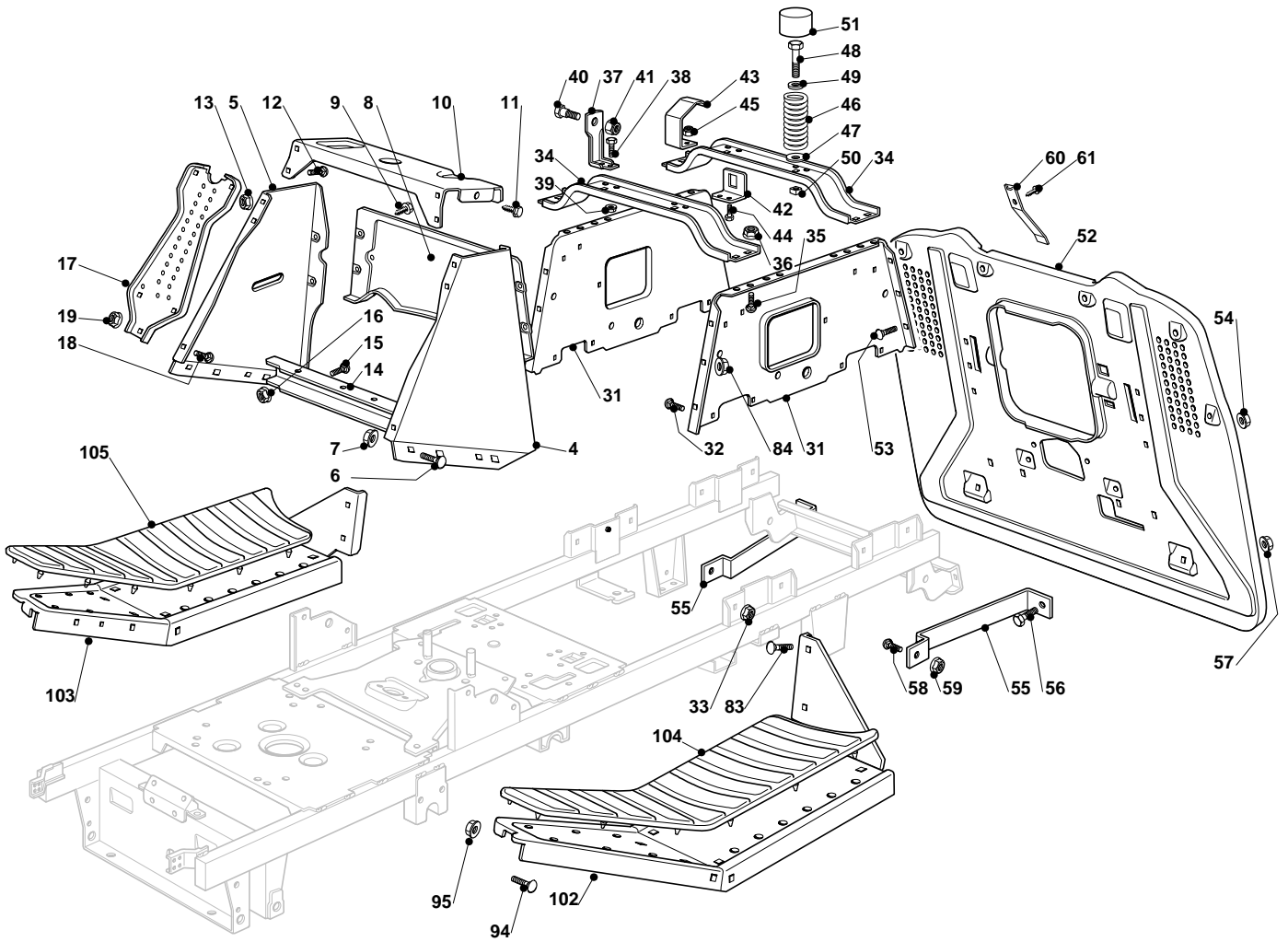
All rights reserved. No part of this material may be reproduced or transmitted, in any form or by any means, electronic or mechanical, including photocopying, recording or by any information storage and retrieval system, without permission in writing from GLOBAL GARDEN PRODUCTS.

...THINKING GREEN





A 102 HB
Chassis





A 102 HB

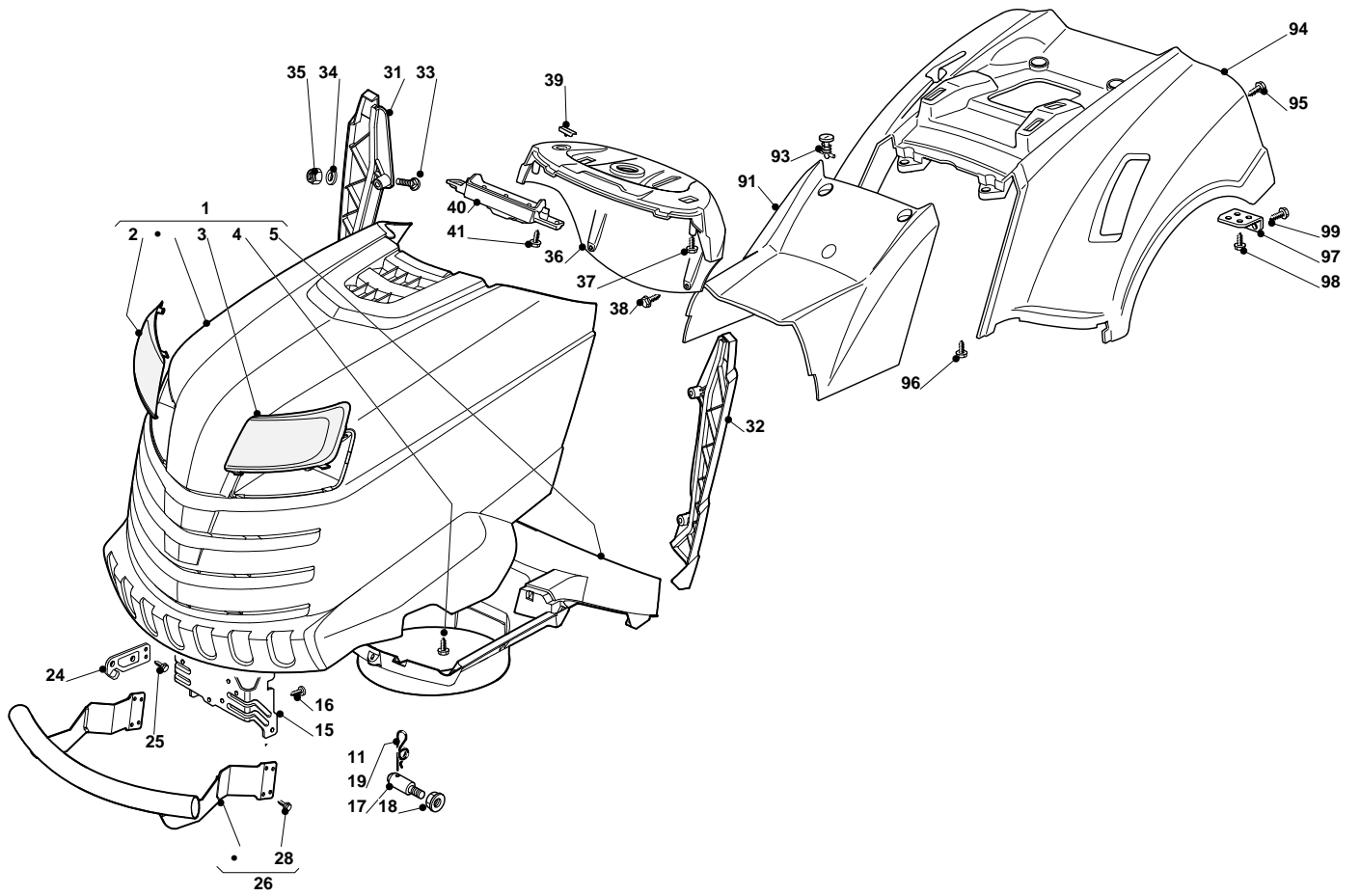
Chassis

Pos.	Part no.	Q.ty	Description	Remarks
4	325785243/1	1	Left Dashboard Supp.	
5	25785245/0	1	Right Dashboard Supp.	
6	12818690/0	4	Screw	
7	12293201/0	4	Nut	
8	382785151/1	1	Rear Dashboard Supp	
9	12735110/0	4	Screw	
10	25785255/0	1	Central Dashboard Supp	
11	12735110/0	2	Screw	
12	12815200/0	4	Screw	
13	12292102/0	4	Nut	
14	25785241/0	1	Support	
15	12815200/0	2	Screw	
16	12292102/0	2	Nut	
17	382785153/1	2	Front Dashboard Supp	
18	12815200/0	2	Screw	
19	12292102/0	2	Nut	
31	325785249/1	2	Seat Support	
32	12815200/0	8	Screw	
33	12292102/0	8	Nut	
34	325785257/1	2	Seat Support	
35	12818690/0	8	Screw	
36	12293201/0	8	Nut	
37	25755039/0	2	Bracket	
38	12792611/0	4	Screw	
39	12293201/0	4	Nut	
40	22524970/2	2	Pin	
41	12155010/0	2	Nut	
42	25755043/0	1	Bracket	
43	25430253/0	1	Spring	
44	12789000/0	2	Screw	
45	12154330/0	2	Nut	
46	125430257/1	2	Spring	
47	12523070/0	2	Washer	
48	12760515/0	2	Screw	
49	22671653/0	2	Washer	
50	12360425/0	2	Nut	
51	25122000/2	2	Hood	
52	382547041/1	1	Plate	
53	12792611/0	6	Screw	
54	12293201/0	6	Nut	
55	25650119/0	2	Plate Stiffening	
56	12792611/0	2	Screw	
57	12293201/0	2	Nut	
58	12818690/0	2	Screw	
59	12293201/0	2	Nut	
60	27430554/0	1	Spring	
61	12735110/0	1	Screw	
83	12792611/0	4	Screw	
84	12293201/0	4	Nut	
94	12815200/0	4	Screw	
95	12292102/0	4	Nut	
102	382510083/0	1	Left Footboard Support	
103	382510081/0	1	Right Footboard Support	
104	25110327/0	1	Left Footboard Cover	
105	25110326/0	1	Right Footboard Cover	



A 102 HB

Body





A 102 HB

Body

Pos.	Part no.	Q.ty	Description	Remarks
1	382076962/0	1	Engine Hood	
2	325410899/0	1	Right Grill	
3	325410900/0	1	Left Grill	
4	12735404/0	7	Screw	
5	325108052/0	7	Conveyor	
15	325774301/2	1	Engine Hood Support	
16	12735403/0	5	Screw	
17	25510079/0	2	Pin	
18	12293201/0	2	Nut	
19	24487998/0	2	Cotter Pin	
24	325547109/2	2	Plate	
25	12731580/0	4	Screw	
26	382869040/0	1	Muffler Protection	
28	12734995/0	4	Screw	
31	325599014/0	1	Right Dashboard Supp.	
32	325599015/0	1	Left Dashboard Supp.	
33	12815221/0	4	Screw	
34	12521330/0	4	Washer	
35	12154510/0	4	Nut	
36	325120188/2	1	Dashboard	
37	12728440/0	2	Screw	
38	12735402/0	2	Screw	
39	25260000/0	2	Grommet	
40	25600074/0	1	Card Protection	
41	12735402/0	2	Screw	
51	25961201/0	1	Steering Wheel	
52	25120230/0	1	Cap	
53	12620299/0	1	Pin	
91	325110420/0	1	Cover, White	
93	25580020/0	2	Pivot	
94	325110419/0	1	Wheels Cover, White	
95	12735402/0	4	Screw	
96	12735402/0	2	Screw	
97	25755041/0	2	Bracket	
98	12728686/0	4	Screw	
99	12735110/0	2	Screw	



A 102 HB

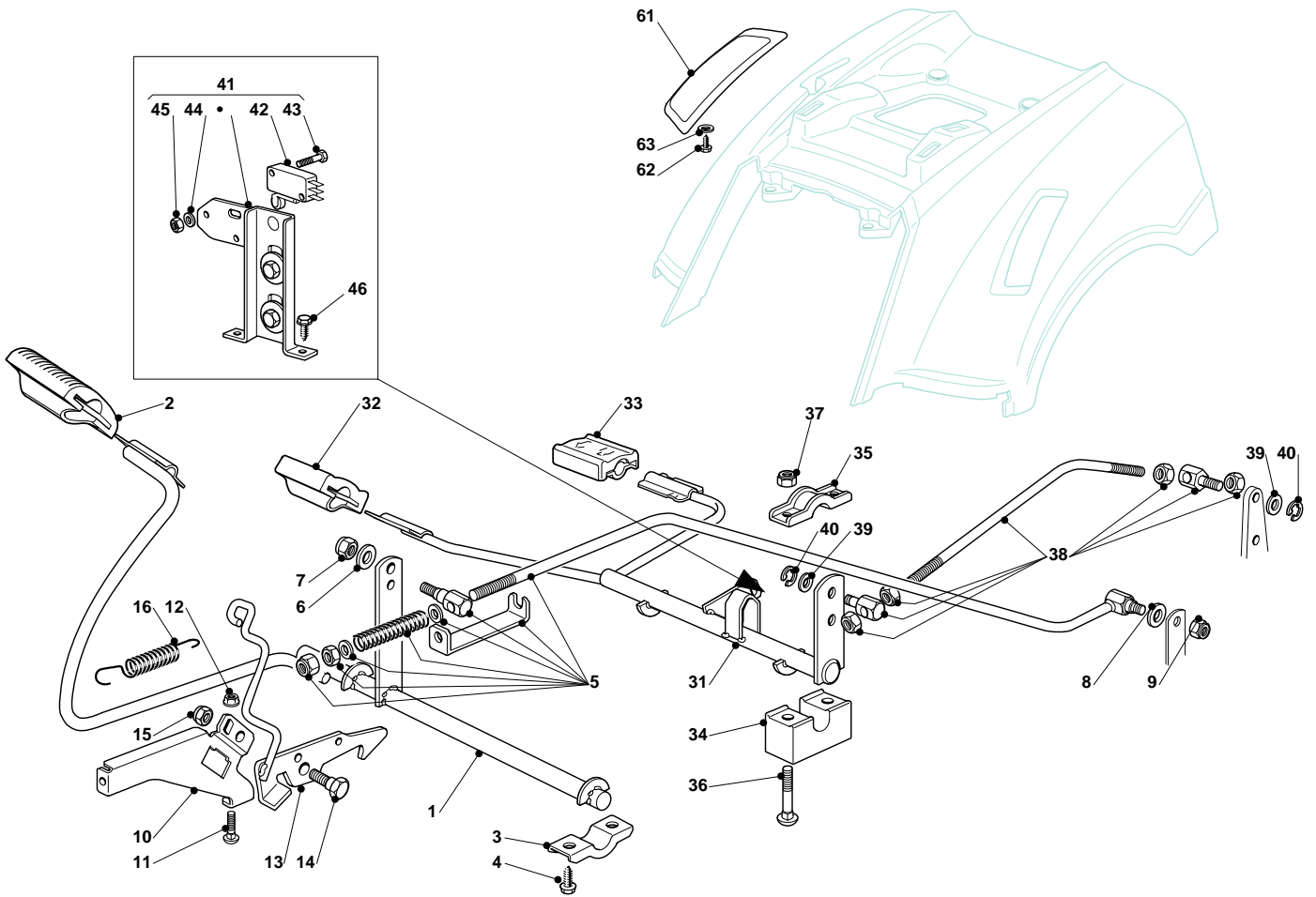
Steering

Pos.	Part no.	Q.ty	Description	Remarks
1	25038004/0	1	Bush	
2	125520006/1	1	Steering Column	
3	27570050/0	1	Pinion	
4	12622650/0	1	Pin	
5	25743000/0	1	Joint	
6	12521370/0	1	Washer	
7	12436030/0	1	Plate	
8	325785213/1	1	Support	
9	12729601/1	2	Screw	
12	12379511/0	1	Grease Dispenser	
13	25040624/0	2	Bush	
16	382318249/0	1	Lever	
17	25670019/0	1	Washer	
18	25735513/0	1	Steering Shaft	
19	12523080/0	1	Washer	
20	12155020/0	1	Nut	
22	125670027/0	1	Washer	
23	112794950/0	1	Screw	
29	382000610/0	1	Steering Rod	
30	12523070/0	2	Washer	
31	12155010/0	2	Nut	
41	382034036/0	1	Equalizer With Bush And Lubricator	
42	25034002/1	4	Brass	
43	12379511/0	2	Grease Dispenser	
44	25160016/0	1	Spacer	
45	12692695/0	1	Screw	
46	12523100/0	2	Washer	
47	12587100/0	1	Washer	
48	12295300/0	1	Nut	
49	382230377/0	1	Right Stub Axle	
50	382230379/0	1	Left Stub Axle	
51	12001000/0	2	Snap Ring	
52	25743000/0	1	Joint	
53	325785213/1	1	Support	
54	12791213/1	2	Screw	
55	12521330/0	2	Washer	
56	12154510/0	2	Nut	
57	125840023/0	1	Tie Rod	
58	122746609/0	2	Joint	
59	12156602/0	2	Nut	
60	112295201/0	2	Nut	
71	82680008/1	2	Front Wheel	
72	82000590/1	2	Rimm	
73	25122200/2	4	Bearing	
74	27590053/0	2	Shoe Deli Tire	
75	25950000/0	2	Valve	
76	25670005/1	2	Washer	
77	12001000/0	2	Snap Ring	
78	22110230/0	2	Cap	
79	82110252/0	2	Hub Cover	
80	82110274/0	2	Hub Cover	



A 102 HB

Brake And Gearbox Controls





A 102 HB

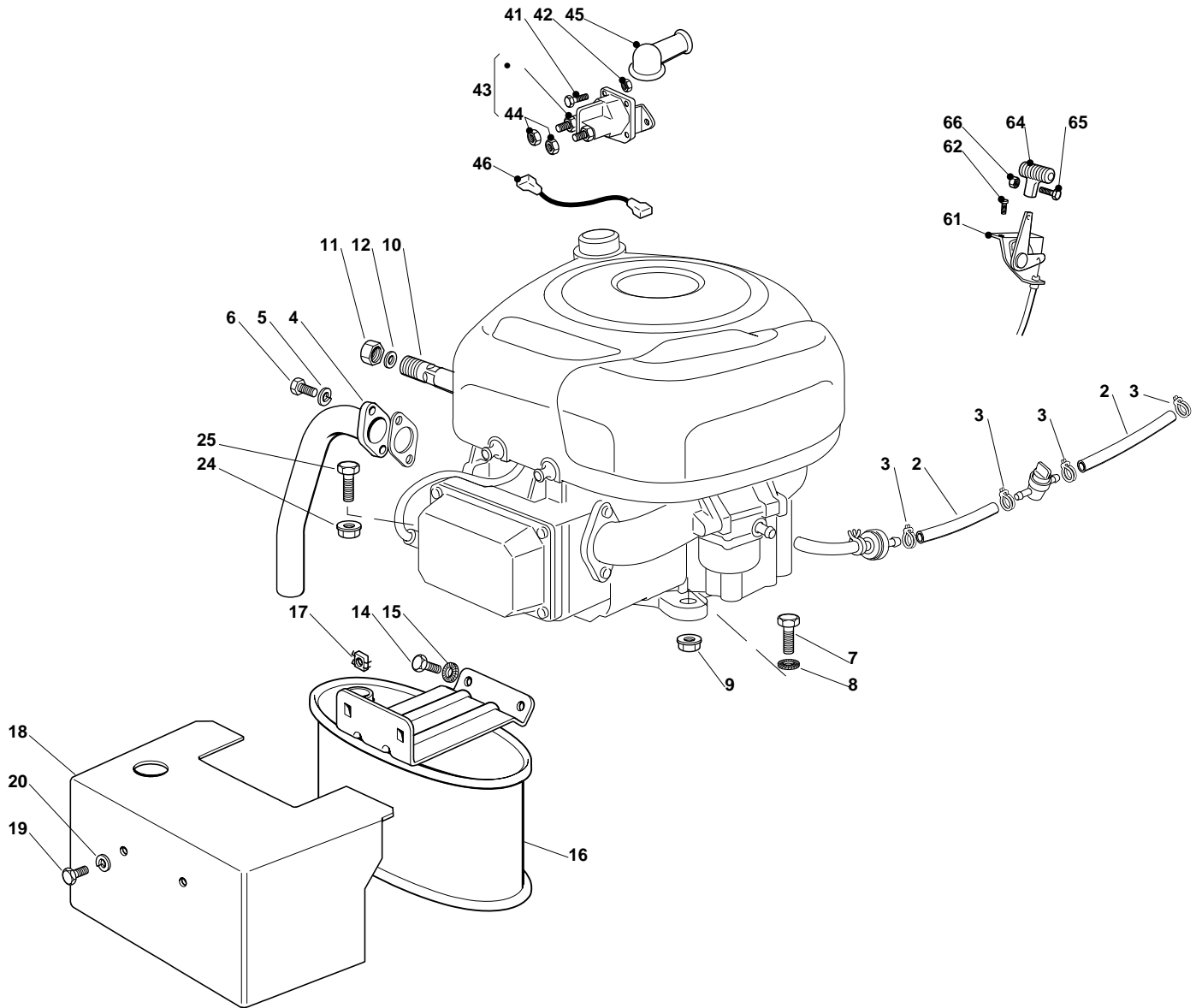
Brake And Gearbox Controls

Pos.	Part no.	Q.ty	Description	Remarks
1	382500037/0	1	Pedal	
2	325110416/0	1	Clamp Cover	
3	25547037/1	2	Plate	
4	12735599/0	4	Screw	
5	382000577/0	1	Rod	
6	12521350/0	1	Washer	
7	12155000/0	1	Nut	
8	12521350/0	1	Washer	
9	12155000/0	1	Nut	
10	25785261/0	1	Support	
11	12815200/0	2	Screw	
12	12292102/0	2	Nut	
13	82000531/0	1	Rod	
14	22524970/2	1	Pin	
15	12155000/0	1	Nut	
16	25430213/0	1	Spring	
31	382000605/0	1	Drive Pedal	
32	325110417/0	1	Clamp Cover Front	
33	325110418/0	1	Clamp Cover Rear	
34	25785185/0	2	Support	
35	27546015/1	2	Plate	
36	12815245/0	4	Screw	
37	12154510/0	4	Nut	
38	382000609/0	1	Rod	
39	12523040/0	2	Washer	
40	112000940/0	2	Benzing	
41	382394853/0	1	Switch Ass.Y	
42	19410609/0	1	Neutral Switch	
43	12735602/0	2	Screw	
44	12581100/0	2	Grower	
45	12290791/0	2	Nut	
46	12735110/0	2	Screw	
61	25207171/0	1	Cover	
62	12735402/0	2	Screw	
63	12523050/0	4	Washer	



A 102 HB

Engine - B&S





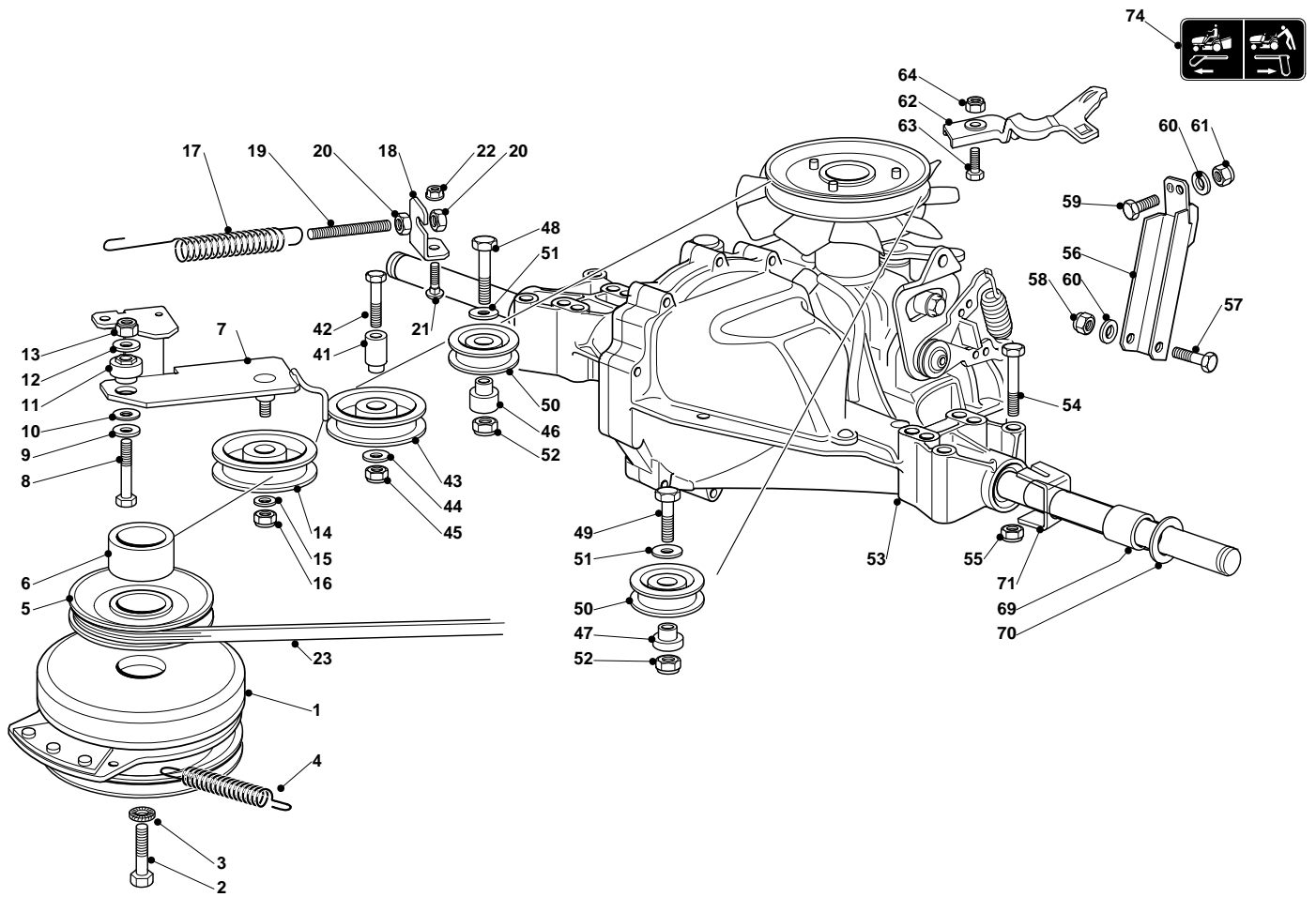
A 102 HB

Engine - B&S

Pos.	Part no.	Q.ty	Description	Remarks
2	25869057/0	1	Connecting Tube (1000 Mm)	
3	18375051/1	4	Fair Led	
4	18738224/0	1	Exhaust Tube	
5	12583500/0	2	Grower	
6	12735530/0	2	Screw	
7	12691115/0	1	Left Screw	
8	12540260/0	1	Washer	
9	12154210/0	1	Nut	
10	25598050/0	1	Oil Discharge Extension	
11	18737849/0	1	Oil Cap	
12	18401001/1	1	Oil Seal	
14	12793102/0	2	Screw	
15	12540260/0	2	Washer	
16	182750010/0	1	Muffler	
17	12360425/0	2	Nut	
18	82598009/2	1	Guard	
19	12792611/0	2	Screw	
20	12583500/0	2	Grower	
24	12154210/0	3	Nut	
25	12691100/0	3	Left Screw	
41	12791213/1	2	Screw	
42	12292102/0	2	Nut	
43	18736110/0	1	Starter Relay	
44	12360352/0	2	Nut	
45	18564864/1	1	Protection	
46	25065017/0	1	Cable	
61	82000200/1	1	Accelerator	
62	125943012/0	2	Screw	
64	25394501/0	1	Handle	
65	12726388/0	1	Screw	
66	12290800/0	1	Nut	



A 102 HB
Transmission





A 102 HB

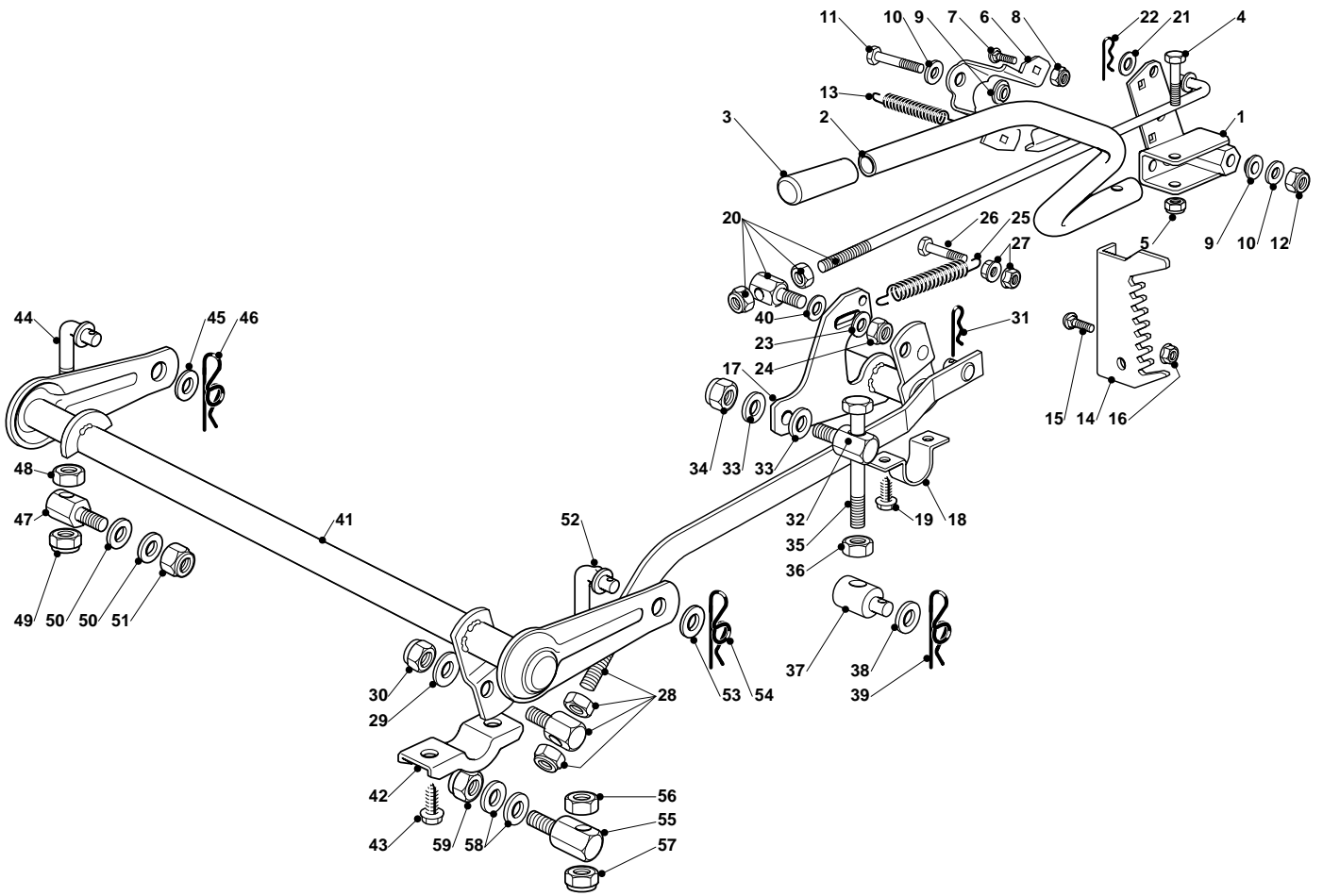
Transmission

Pos.	Part no.	Q.ty	Description	Remarks
1	118399062/0	1	Clutch	
2	12737320/0	1	Screw	
3	12543000/0	1	Washer	
4	22430216/0	1	Spring	
5	125601577/0	1	Pulley	
6	25160021/0	1	Spacer	
7	82318217/0	1	Lever	
8	12691115/0	1	Left Screw	
9	12523060/0	1	Washer	
10	27670055/0	1	Washer	
11	25510087/0	1	Pin	
12	12523060/0	1	Washer	
13	12155000/0	1	Nut	
14	25601554/0	1	Pulley	
15	12523060/0	1	Washer	
16	12155000/0	1	Nut	
17	25430260/0	1	Spring	
18	25755049/0	1	Bracket	
19	25840005/0	1	Tie Rod	
20	12293200/0	2	Nut	
21	12818690/0	1	Screw	
22	12293201/0	1	Nut	
23	135062013/0	1	Belt	
41	125510124/0	1	Pin	
42	12691800/0	1	Screw	
43	25601555/0	1	Pulley	
44	12523060/0	1	Washer	
45	12155000/0	1	Nut	
46	125160024/2	1	Long Spacer	
47	125160018/1	1	Left Spacer	
48	12691400/0	1	Right Screw	
49	12691115/0	1	Left Screw	
50	125601588/0	2	Pulley	
51	22671653/0	2	Washer	
52	12155000/0	2	Nut	
53	118400919/1	1	Rear Axle Hydro-Gear T2-Adbf-2X3C-1Px1	
54	12691600/0	4	Screw	
55	12154210/0	4	Nut	
56	382785201/0	1	Support	
57	12691700/0	1	Screw	
58	12155000/0	1	Nut	
59	12793701/0	1	Screw	
60	12523060/0	2	Washer	
61	12155000/0	1	Nut	
62	325318257/0	1	Lever	
63	12791213/1	1	Screw	
64	12154210/0	1	Nut	
69	125160058/0	2	Spacer	
70	25670005/1	2	Washer	
71	325670025/0	2	Washer	
74	14361451/0	1	Label	



A 102 HB

Cutting Plate Lifting





A 102 HB

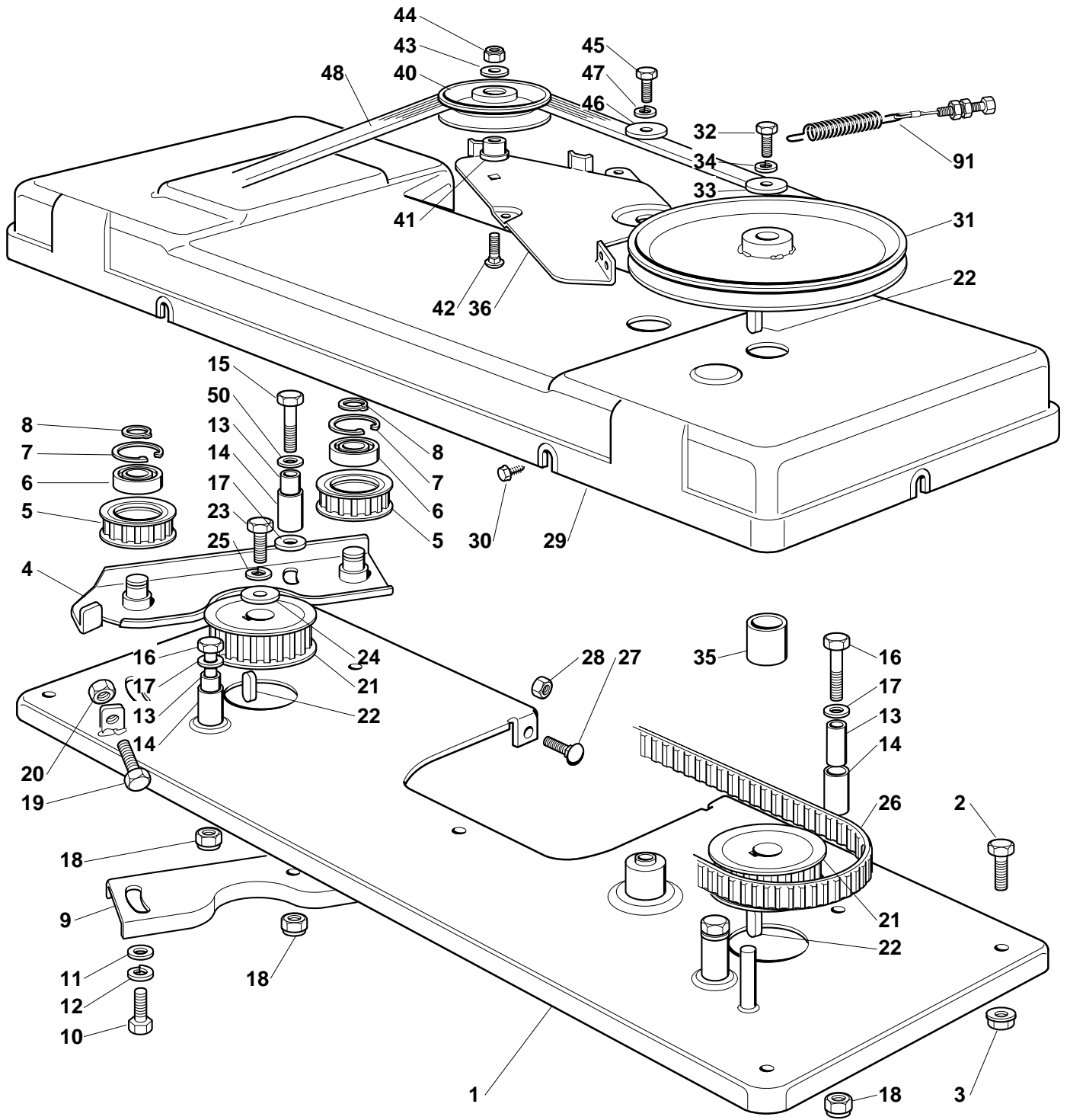
Cutting Plate Lifting

Pos.	Part no.	Q.ty	Description	Remarks
1	82774249/0	1	Clamp	
2	382318219/1	1	Lever	
3	25394508/0	1	Handle	
4	12674700/0	1	Screw	
5	12154510/0	1	Nut	
6	25650113/0	1	Plate	
7	12818690/0	2	Screw	
8	12155000/0	2	Nut	
9	22041980/0	2	Spacer	
10	12523060/0	2	Washer	
11	12691600/0	1	Screw	
12	12155000/0	1	Nut	
13	25430259/0	1	Spring	
14	25735511/0	1	Sector	
15	12818690/0	2	Screw	
16	12293201/0	2	Nut	
17	82000387/0	1	Axle	
18	325547041/1	2	Plate	
19	12731580/0	4	Screw	
20	382000618/0	1	Rod	
21	25670011/0	1	Washer	
22	24487998/0	1	Cotter Pin	
23	12523040/0	1	Washer	
24	12154210/0	1	Nut	
25	22446402/0	1	Spring	
26	12792410/0	1	Screw	
27	12292102/0	2	Nut	
28	382000589/0	1	Connecting Rod	
29	25670008/1	2	Washer	
30	12156602/0	1	Nut	
31	24487998/0	1	Cotter Pin	
32	25510070/0	1	Pin	
33	25670008/1	2	Washer	
34	12156602/0	1	Nut	
35	125840031/0	2	Tie Rod	
36	12295200/0	2	Nut	
37	25510070/0	2	Pin	
38	12523090/0	2	Washer	
39	24487998/0	2	Cotter Pin	
40	12521360/0	2	Washer	
41	382000587/0	1	Axle	
42	27546015/1	2	Plate	
43	12731350/0	4	Screw	
44	25840024/0	1	Tie Rod	
45	25670008/1	1	Washer	
46	24487998/0	1	Cotter Pin	
47	25510098/0	1	Pin	
48	12295200/0	1	Nut	
49	12156602/0	1	Nut	
50	25670008/1	2	Washer	
51	12156602/0	1	Nut	
52	25840025/0	1	Tie Rod	
53	25670008/1	1	Washer	
54	24487998/0	1	Cotter Pin	
55	25510090/0	1	Pin	
56	12295200/0	1	Nut	
57	12156602/0	1	Nut	
58	25670008/1	2	Washer	
59	12156602/0	1	Nut	



A 102 HB

Baldes Engagement





A 102 HB

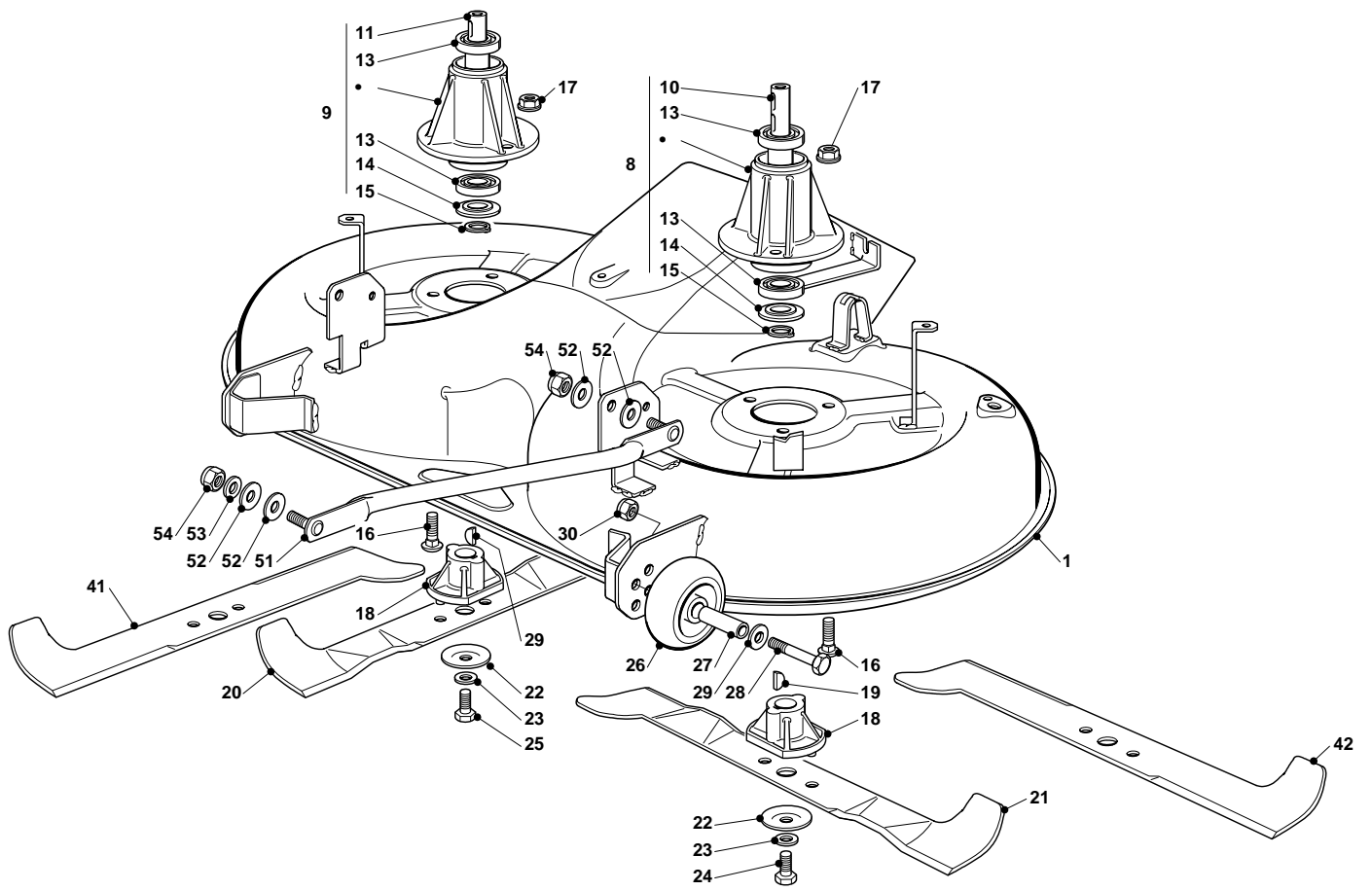
Baldes Engagement

Pos.	Part no.	Q.ty	Description	Remarks
1	82547029/0	1	Plate	
2	12792611/0	4	Screw	
3	12293201/0	4	Nut	
4	82785084/1	1	Support	
5	25601559/1	2	Pulley	
6	119216048/0	2	Bearing	
7	12610800/0	2	Seeger	
8	12609200/0	2	Seeger	
9	25650037/0	1	Stiffening	
10	12793102/0	2	Screw	
11	12521350/0	2	Washer	
12	12583500/0	2	Grower	
13	25160003/0	4	Spacer	
14	25038000/0	4	Bushing	
15	12691700/0	1	Screw	
16	12691200/0	3	Right Screw	
17	12521350/0	4	Washer	
18	12155000/0	4	Nut	
19	12793900/0	1	Screw	
20	12293200/0	1	Nut	
21	25601560/0	2	Pulley	
22	12139480/0	3	Feather	
23	12793102/0	1	Screw	
24	25670007/0	1	Washer	
25	12583500/0	1	Grower	
26	35065600/0	1	Belt	
27	12815200/0	3	Screw	
28	12292102/0	3	Nut	
29	25060100/3	1	Case	
30	12735110/0	6	Screw	
31	25601550/0	1	Pulley	
32	12793102/0	1	Screw	
33	25670007/0	1	Washer	
34	12583500/0	1	Grower	
35	25160002/0	1	Spacer	
36	25318115/1	1	Brake Lever	
40	25601555/0	1	Pulley	
41	25160007/0	1	Spacer	
42	12818900/0	1	Screw	
43	12523060/0	1	Washer	
44	12155000/0	1	Nut	
45	12793102/0	1	Screw	
46	12523070/0	1	Washer	
47	12583500/0	1	Grower	
48	35062811/0	1	Belt	
50	12523060/0	1	Washer	
91	82004608/0	1	Wire	



A 102 HB

Cutting Plate





A 102 HB

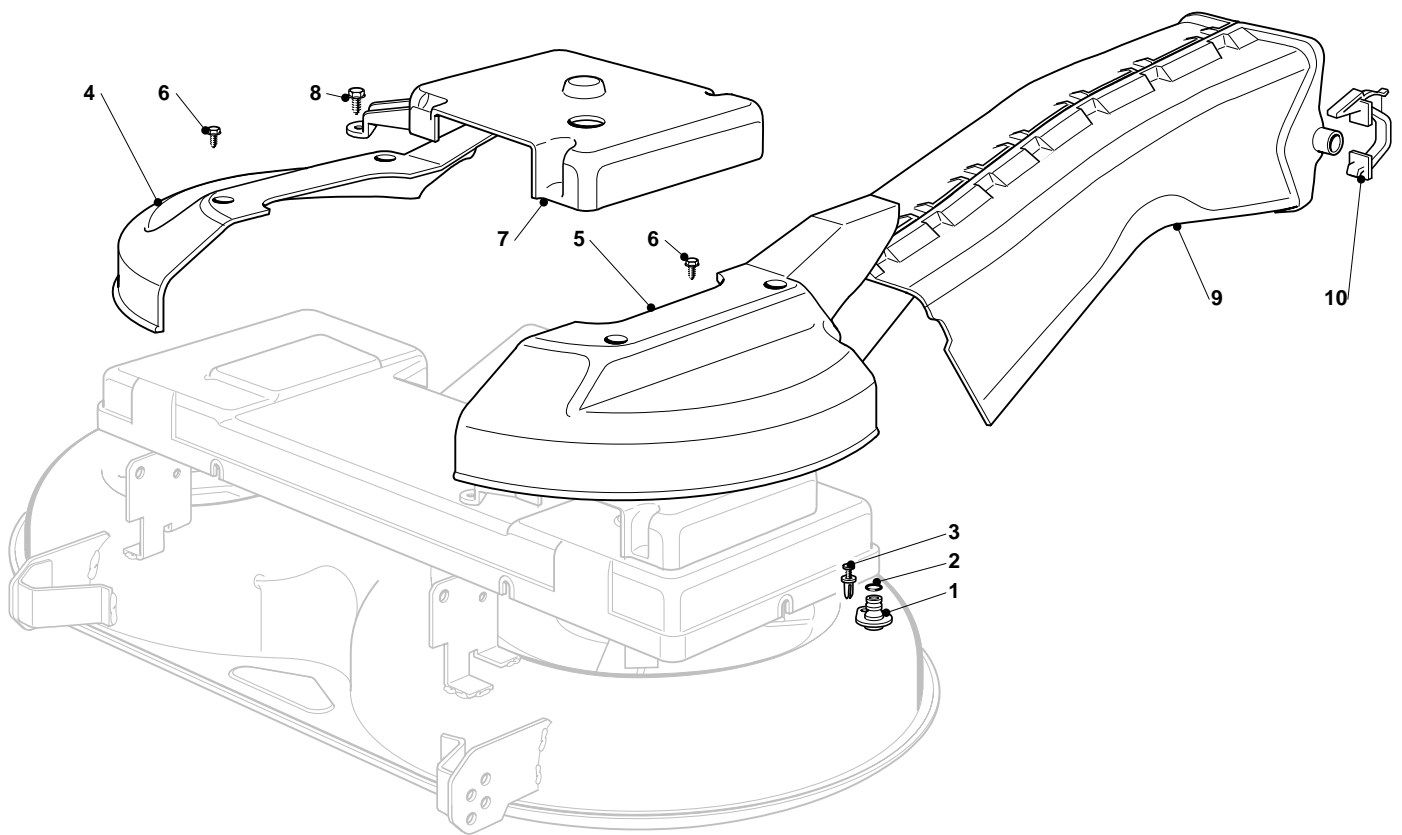
Cutting Plate

Pos.	Part no.	Q.ty	Description	Remarks
1	382564151/0	1	Cutting Plate Black	
8	82207200/1	1	Main Shaft Support	
9	82207201/2	1	Secondary Shaft Support	
10	25020800/1	1	Main Blade Shaft	
11	25020801/2	1	Secondary Blade Shaft	
13	119216047/0	4	Bearing	
14	25160501/0	2	Dust Cover	
15	12609260/0	2	Seeger	
16	12818700/0	6	Screw	
17	12154210/0	6	Nut	
18	25463200/0	2	Blade Hub	
19	12139100/0	2	Feather, Crankshaft Ø 22.2	
20	82004348/0	1	Right Blade Mulching, Winged (Mod. 102)	
21	82004347/0	1	Left Blade Mulching, Winged (Mod. 102)	
22	22160400/0	2	Dust Cover	
23	12523080/0	2	Washer	
24	12735694/0	1	Screw	
25	12735695/1	1	Screw	
26	82700001/0	2	Anti Scalp Wheel Ø 100	
27	25510072/0	2	Spacer	
28	12692050/0	2	Screw	
29	12523060/0	2	Washer	
30	12293201/0	2	Nut	
41	82004341/1	1	Right Blade, Winged (Mod. 102)	
42	82004340/1	1	Left Blade, Winged (Mod. 102)	
51	82000474/1	2	Equalizer Rod	
52	25670008/1	8	Washer	
53	12523060/0	2	Washer	
54	12156602/0	4	Nut	



A 102 HB

Guards And Conveyor





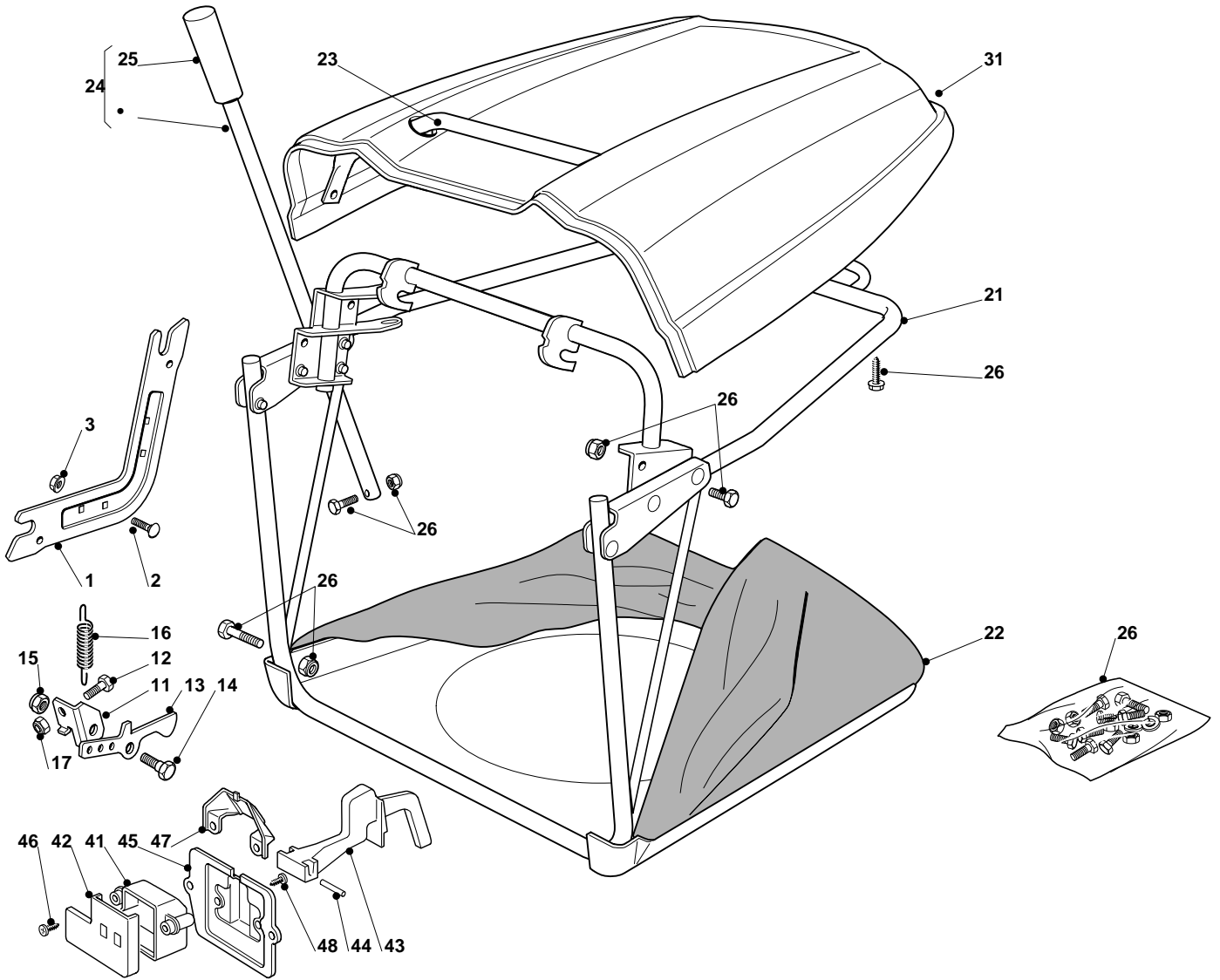
A 102 HB

Guards And Conveyor

Pos.	Part no.	Q.ty	Description	Remarks
1	25033060/0	2	Water Hose Connection	
2	19035000/0	2	Or Ring	
3	12500030/0	2	Rivet	
4	25060104/0	1	Guard Black	
5	25060105/0	1	Guard Black	
6	12735403/0	4	Screw	
7	25600049/0	1	Guard	
8	12735403/0	3	Screw	
9	382108021/0	1	Conveyor	
10	25774373/0	2	Clamp	



A 102 HB
Grasscatcher





A 102 HB

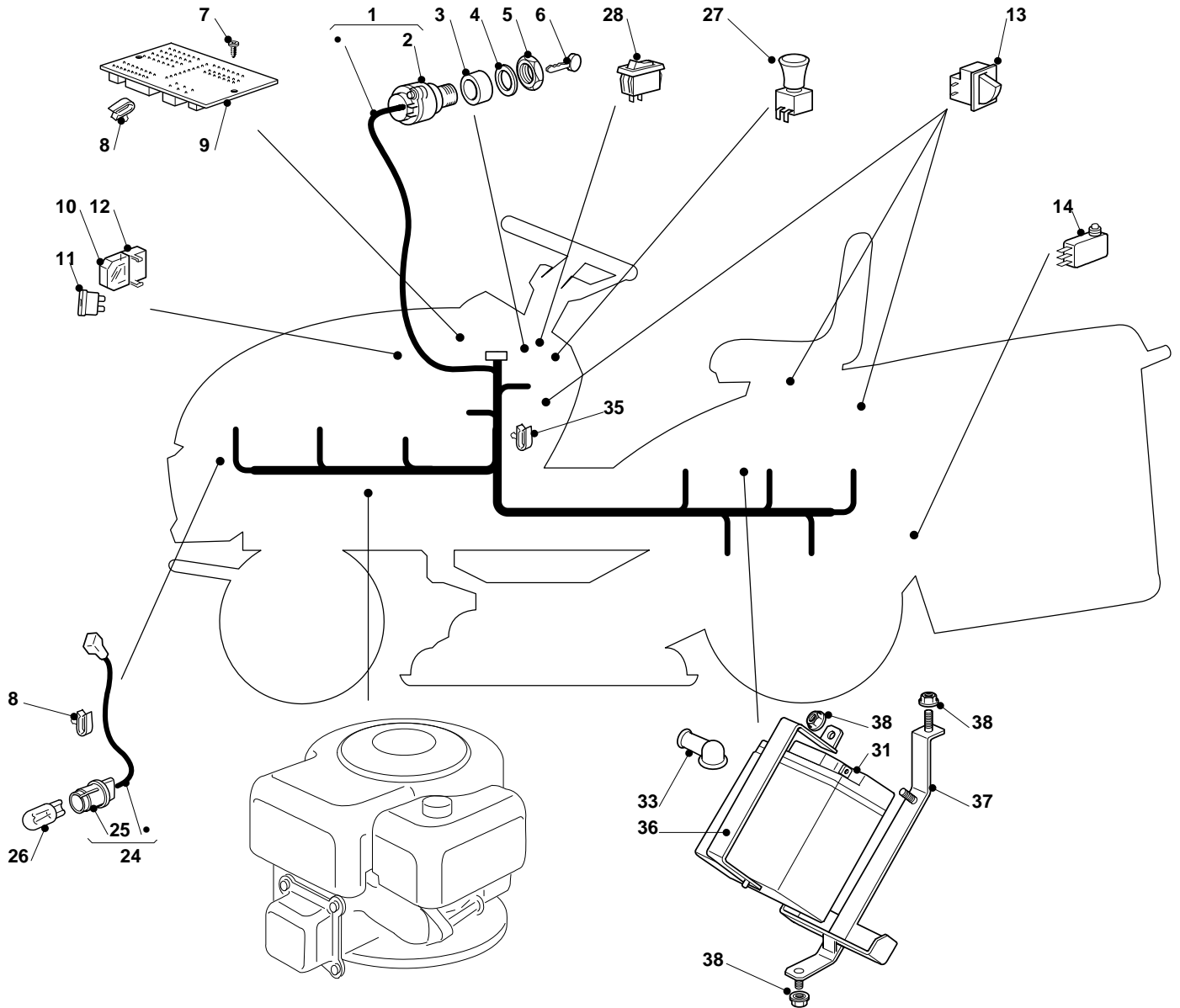
Grasscatcher

Pos.	Part no.	Q.ty	Description	Remarks
1	25785275/0	2	Support	
2	12818690/0	4	Screw	
3	12293201/0	4	Nut	
11	325755031/1	1	Bracket	
12	12789000/0	1	Screw	
13	325774315/1	1	Bracket	
14	125510080/1	1	Pin	
15	12292102/0	1	Nut	
16	22450432/0	1	Spring	
17	12154330/0	1	Nut	
21	82800111/0	1	Front Frame	
22	82105973/0	1	Grasscatcher	
23	82394003/0	1	Front Handle	
24	82869023/0	1	Rod	
25	25394508/0	1	Handle	
26	82180048/0	1	Screws Outfit	
31	325110421/0	1	Grass-Catcher Cover, White	
41	25600041/0	1	Micro Protection	
42	25600042/0	1	Protection Cover	
43	25318124/0	1	Lever	
44	12400030/0	1	Pin	
45	25785272/0	1	Micro Protection	
46	12728510/0	1	Screw	
47	25600048/0	1	Protection Cover	
48	12735110/0	2	Screw	



A 102 HB

Electrical Parts





A 102 HB

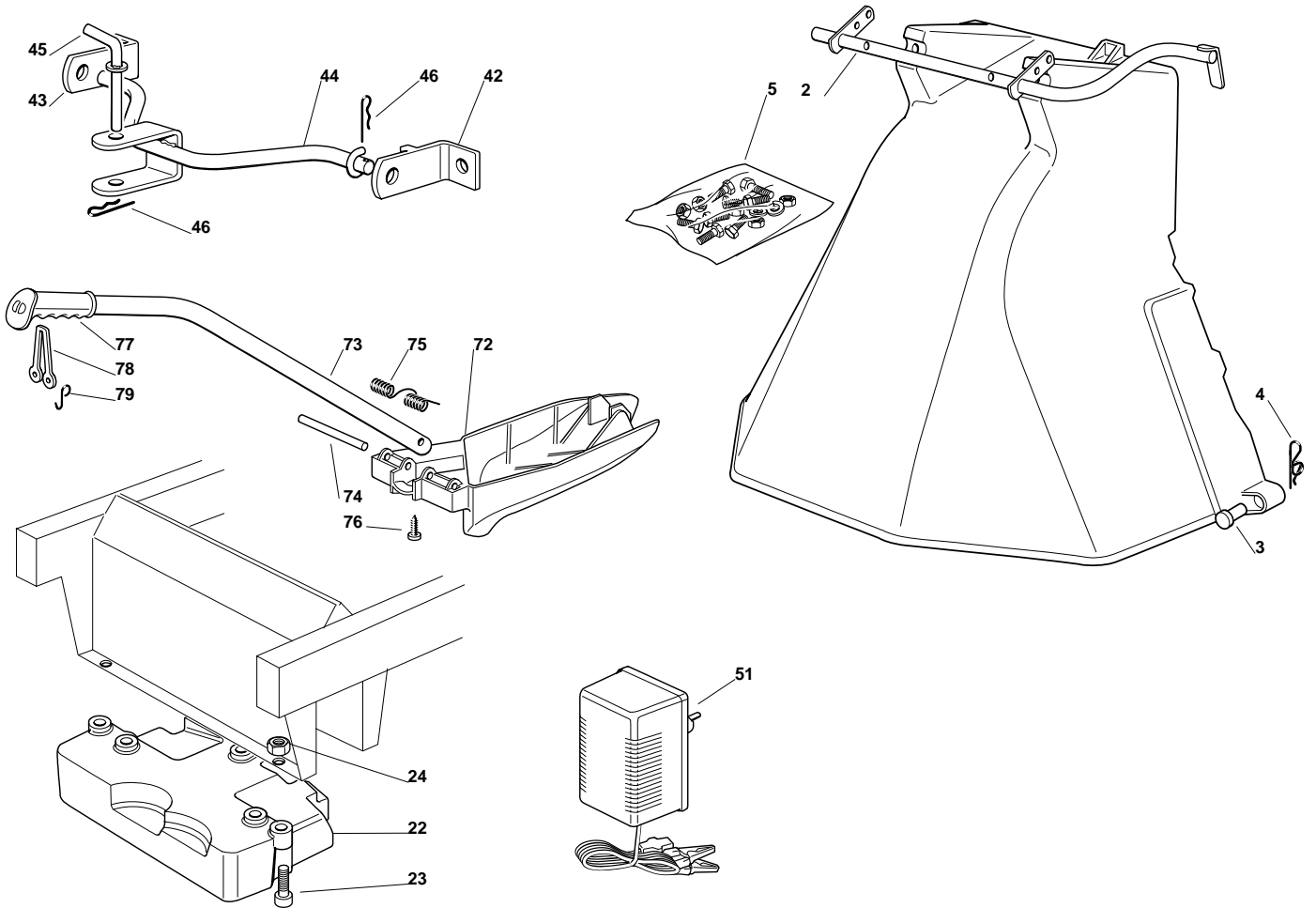
Electrical Parts

Pos.	Part no.	Q.ty	Description	Remarks
1	182040153/0	1	Cables Ass.Y	
2	18450072/0	1	Starting Switch	
3	18550136/0	1	Spacer	
4	18550135/0	1	Washer	
5	18400862/0	1	Ringnut	
6	18210022/0	1	Starting Key	
7	12727810/0	3	Screw	
8	33320506/0	2	Fairled	
9	125722430/1	1	Electronic Card (1 Led)	
10	33215000/0	2	Cover	
11	33340036/0	1	Fuse 25 A	
11	33340040/0	1	Fuse 10A	
12	33500007/0	2	Fuse Carrier	
13	119410615/0	3	Micro	
14	19410605/1	1	Full Grasscat. Microsw.	
24	82040070/0	1	Cable	
24	82040073/0	1	Cable	
25	33500030/0	2	Lamp Holder	
26	18459100/0	2	Farilamp For Lights	
27	18450068/0	1	Clutch Switch	
28	18450060/1	1	Farilamp Switch	
31	18120002/1	1	Battery	
33	18564861/1	1	Protection	
35	33320506/0	9	Fairled	
36	27772099/1	1	Clamp	
37	382785191/0	1	Battery Support	
38	12155000/0	3	Nut	



A 102 HB

Optionals On Request

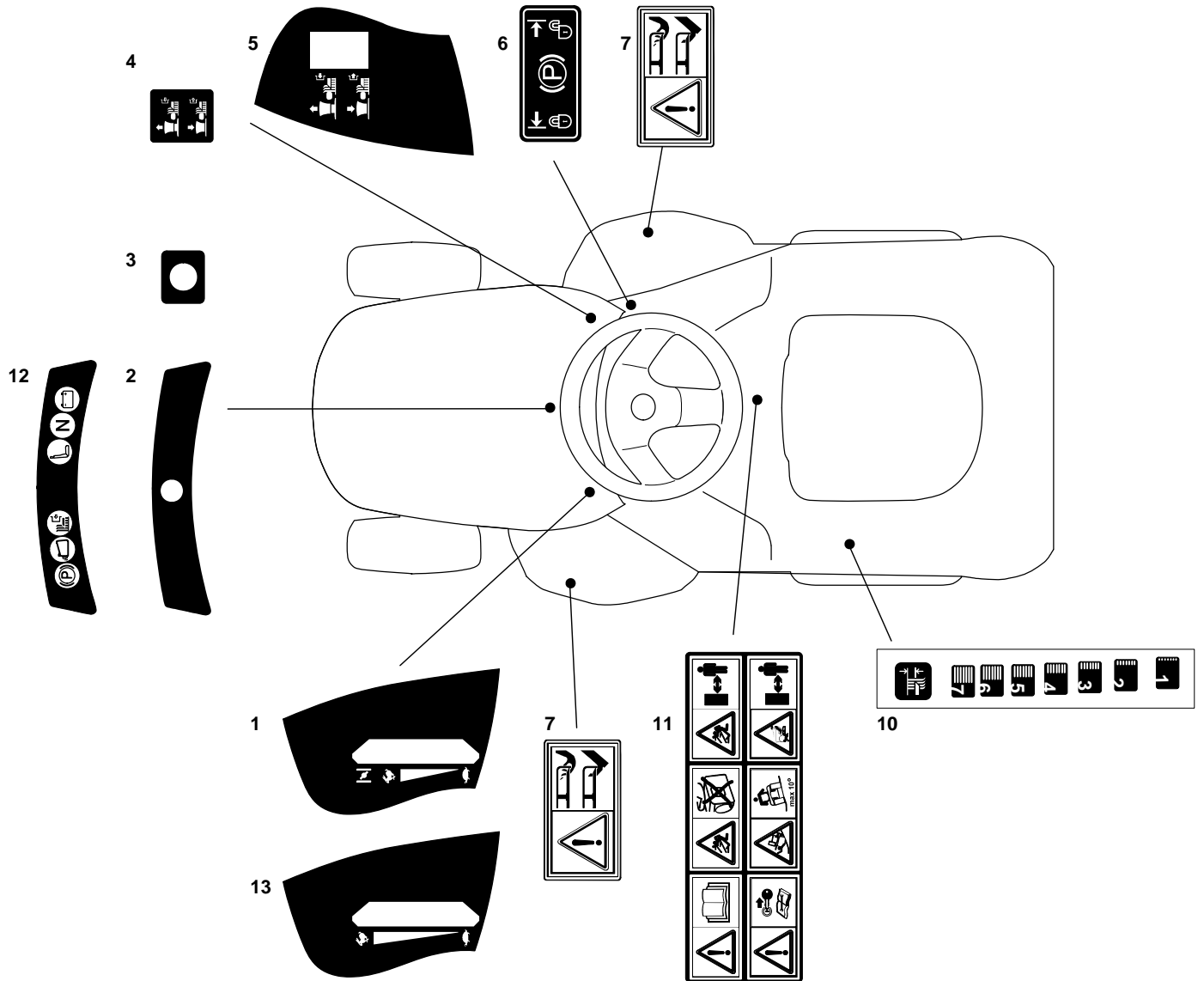




A 102 HB

Optionals On Request

Pos.	Part no.	Q.ty	Description	Remarks
2	82869035/0	1	Support	
3	25510022/0	2	Pin	
4	24487998/0	2	Cotter Pin	
5	82180062/0	1	Screws Outfit	
22	25519997/1	1	Weight	
23	12760520/0	3	Screw	
24	12155000/0	3	Nut	
42	82735502/0	1	Bracket Right Hitch Support	
43	25774213/0	1	Bracket Left Hitch Support	
44	382033117/0	1	Rod	
45	25510021/1	1	Pin	
46	24487999/0	2	Cotter Pin	
51	182180090/0	1	Battery Charger	
51	182180091/0	1	Battery Charger (Uk)	
72	325140097/0	1	Deflector	
73	25394005/0	1	Handle	
74	25510077/0	1	Pin	
75	25430245/0	1	Spring	
76	12735405/0	1	Screw	
77	25280000/1	1	Handgrip	
78	25840011/1	1	Elastic Tie-Rod	
79	25253004/0	2	Hook	





A 102 HB

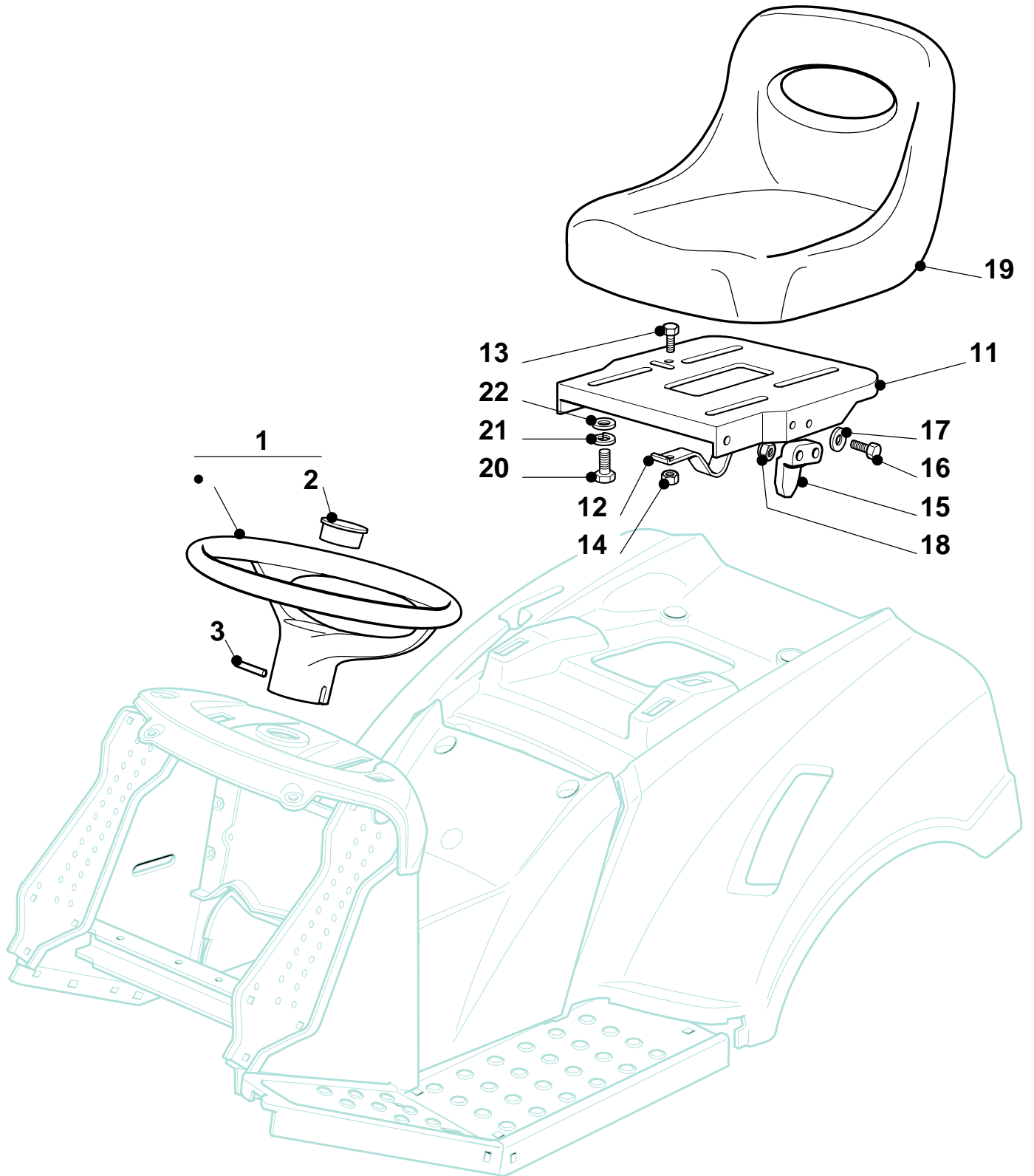
Labels

Pos.	Part no.	Q.ty	Description	Remarks
1	14361440/0	1	Label	
2	25420019/0	1	Label	
5	14361439/0	1	Label	
6	14361452/0	1	Label	
7	114356699/1	2	Label	
10	14361441/0	1	Label	
11	14361553/0	1	Label	
12	125420020/0	1	Label	



A 102 HB

Seat & Steering Wheel





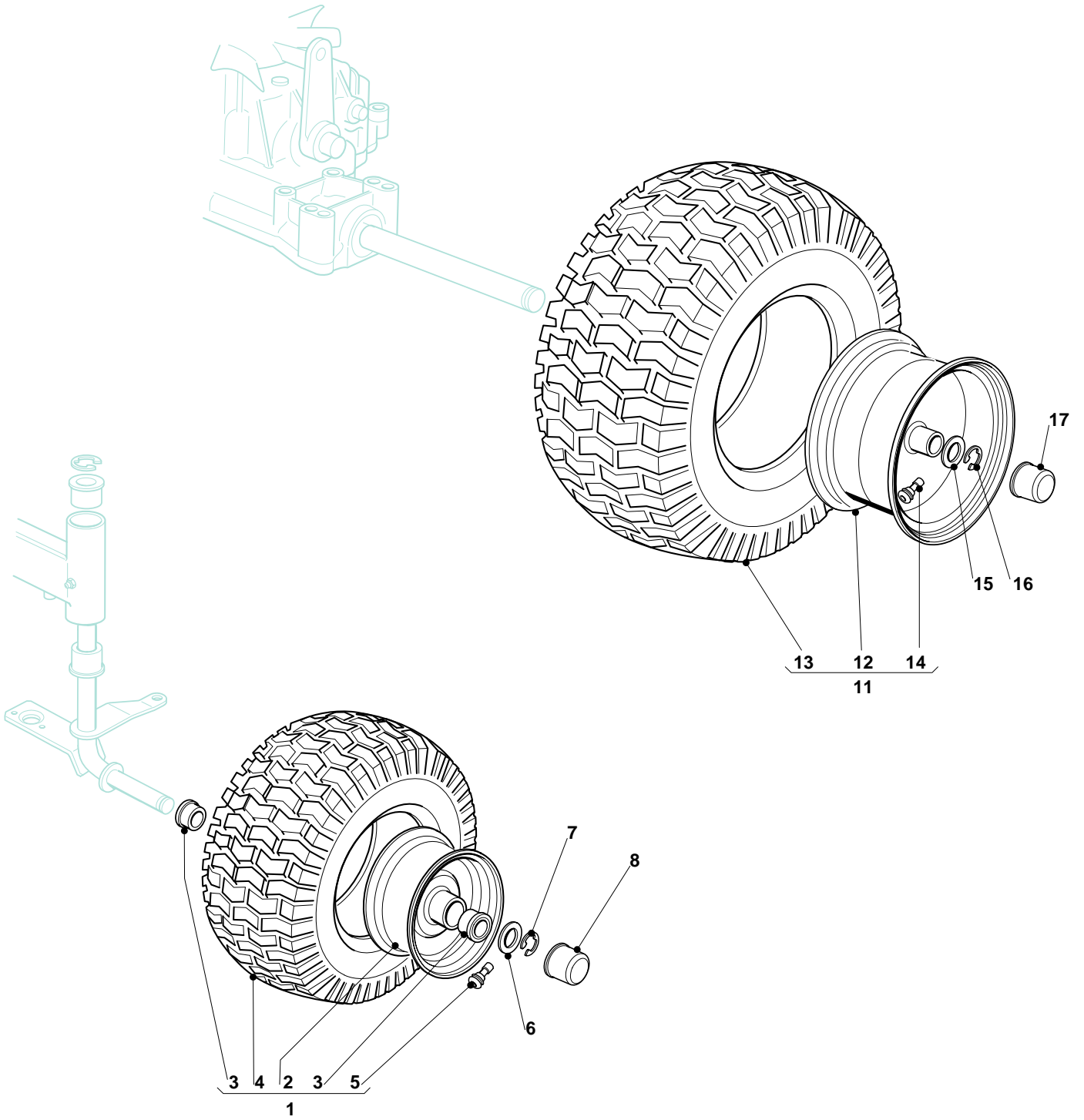
A 102 HB

Seat & Steering Wheel

Pos.	Part no.	Q.ty	Description	Remarks
1	25961201/0	1	Steering Wheel	
2	25120230/0	1	Cap	
3	12620299/0	1	Pin	
11	25547033/1	1	Plate	
12	25430223/2	1	Spring	
13	12789000/0	1	Screw	
14	12154330/0	1	Nut	
15	27063021/1	1	Cam	
16	12789100/0	2	Screw	
17	12523020/0	2	Washer	
18	12154330/0	2	Nut	
19	25722453/1	1	Seat	
20	12793101/0	4	Screw	
21	12583500/0	4	Grower	
22	12523060/0	4	Washer	



A 102 HB
Wheels





A 102 HB

Wheels

Pos.	Part no.	Q.ty	Description	Remarks
1	82680008/1	2	Front Wheel	
2	82000590/1	2	Rimm	
3	25122200/2	4	Bearing	
4	27590053/0	2	Shoe Deli Tire	
5	25950000/0	2	Valve	
6	25670005/1	2	Washer	
7	12001000/0	2	Snap Ring	
8	22110230/0	2	Cap	
11	82680006/0	2	Rear Wheel	
12	82000592/0	2	Rimm	
13	25590003/0	2	Tire	
14	25950000/0	2	Valve	
15	25670005/1	2	Washer	
16	12001010/0	2	Benzing	
17	22110230/0	2	Cap	