

GENUINE SPARE PARTS

A 460 WSE Model Year 2011

- Use GLOBAL GARDEN PRODUCT Genuine Spare Parts specified in the parts list for repair and/or replacement.
- The contents described in the parts list may change due to improvement.
- The drawings of the spare parts are only indicative and might not represent the part in question exactly.
- The indications "right" - "left" - "front" - "rear" refer to the position of the operator when using the machine.
- When placing orders of parts for repair and/or replacement, make sure that the illustrated parts list is the one applying to the machine's year of manufacture, as shown on the identification plate attached to the machine.

COPYRIGHT by GLOBAL GARDEN PRODUCTS

All rights reserved. No part of this material may be reproduced or transmitted, in any form or by any means, electronic or mechanical, including photocopying, recording or by any information storage and retrieval system, without permission in writing from GLOBAL GARDEN PRODUCTS.

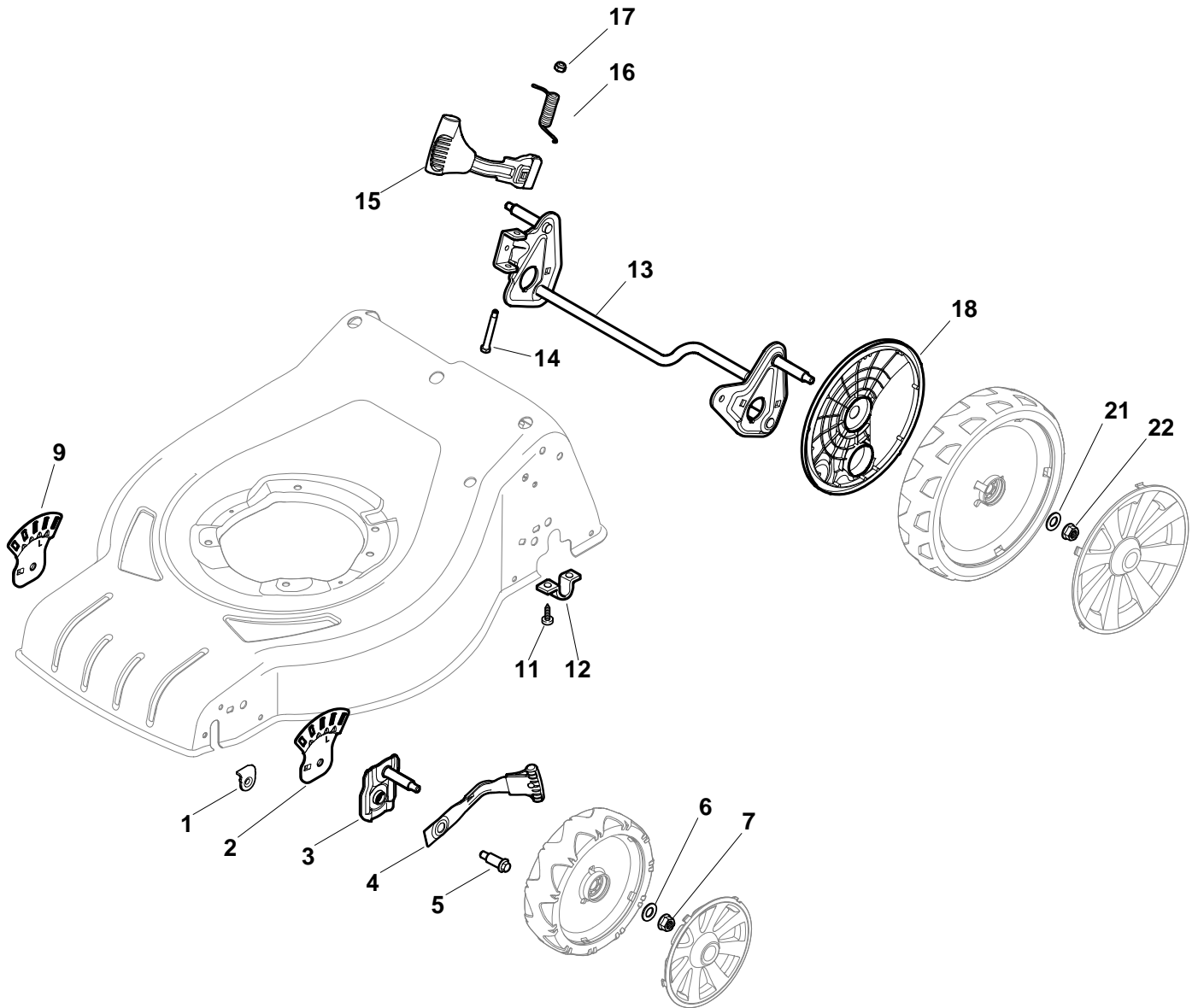
...THINKING GREEN





A 460 WSE

Height Adjusting





A 460 WSE

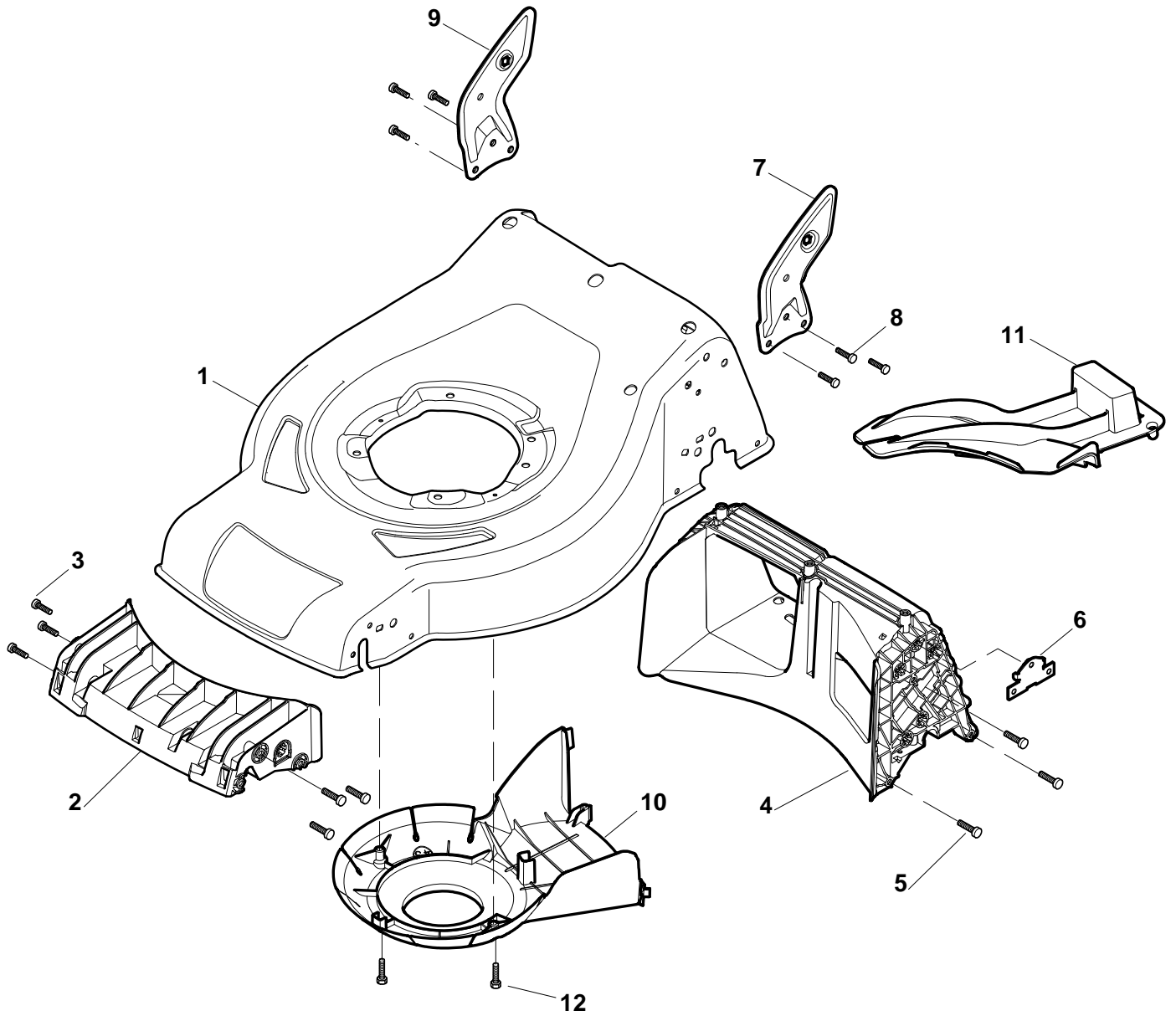
Height Adjusting

Pos.	Part no.	Q.ty	Description	Remarks
1	322545189/0	2	Plate	
2	322735597/0	1	Sector, Height Adjustment	
3	381005141/0	2	Support, Wheel	
4	381003354/0	2	Lever, Height Adjustment	
5	22519811/0	2	Pin	
6	12521350/0	2	Washer	
7	12155000/0	2	Nut	
9	322735595/0	1	Sector, Height Adjustment	
11	112728698/0	4	Screw	
12	22545152/0	2	Plate	
13	381302817/0	1	Axle, Rear Wheels	
14	122534131/0	1	Pin	
15	381003357/0	1	Lever, Height Adjustment	
16	122446192/0	1	Spring	
17	12154510/0	1	Nut	
18	322600205/0	2	Wheel Protection	
21	12521350/0	2	Washer	
22	12155000/0	2	Nut	



A 460 WSE

Deck





A 460 WSE

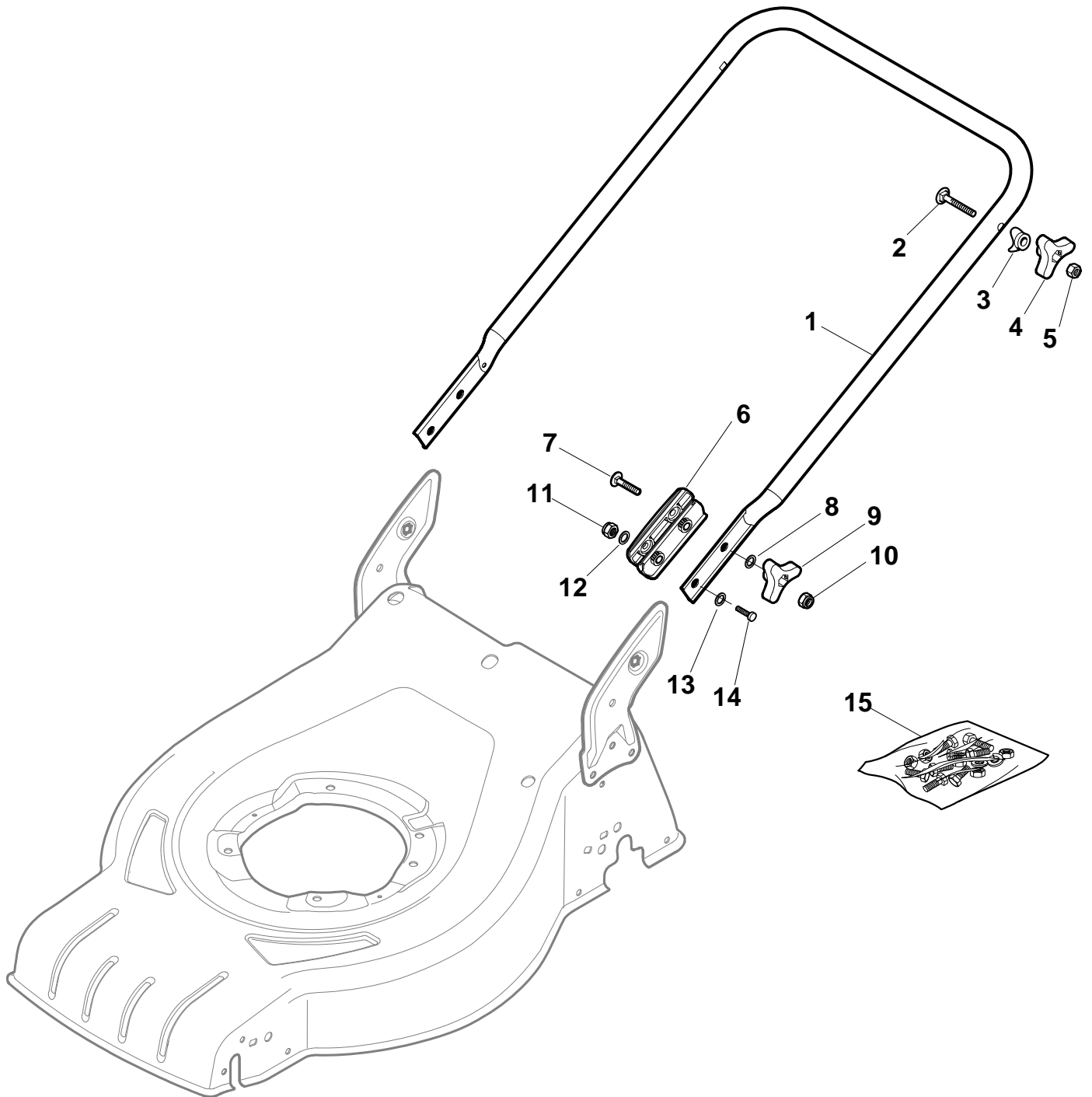
Deck

Pos.	Part no.	Q.ty	Description	Remarks
1	381004051/0	1	Deck	
2	322108301/0	1	Front Conveyor Assy	
3	112728699/0	6	Screw	
4	322108302/0	1	Rear Conveyor Assy	
5	112728699/0	6	Screw	
6	322545213/0	2	Plate	
7	381005139/0	1	Bracket, L	
8	112727801/0	6	Screw	
9	381005137/0	1	Bracket, R	
10	322060242/0	1	Protection, Belt	
11	322140239/0	1	Deflector	
12	12728530/0	2	Screw	



A 460 WSE

Handle, Lower Part





A 460 WSE

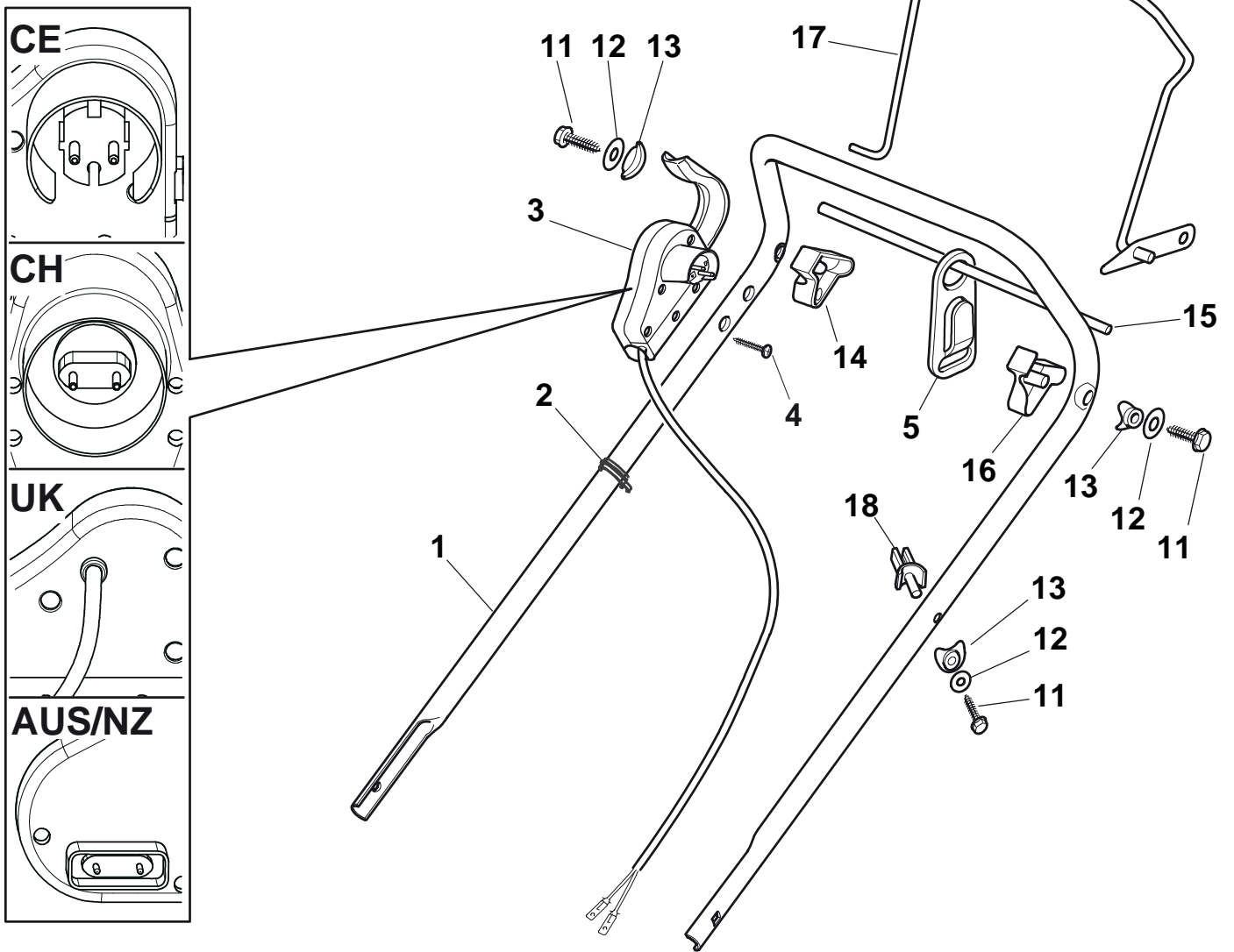
Handle, Lower Part

Pos.	Part no.	Q.ty	Description	Remarks
1	381006735/0	1	Handle, Lower Part	
2	12819120/0	2	Screw	
3	22680006/1	2	Washer	
4	322399840/0	2	Knob	
5	12293200/0	2	Nut	
6	322551582/0	2	Isolation Plate	
7	12819110/0	2	Screw	
8	12523060/0	2	Washer	
9	322399840/0	2	Knob	
10	12293200/0	2	Nut	
11	12155000/0	2	Nut	
12	12521350/0	2	Washer	
13	12521350/0	2	Washer	
14	12793701/0	2	Screw	
15	381008699/0	1	Outfit, Screws	



A 460 WSE

Handle, Upper Part





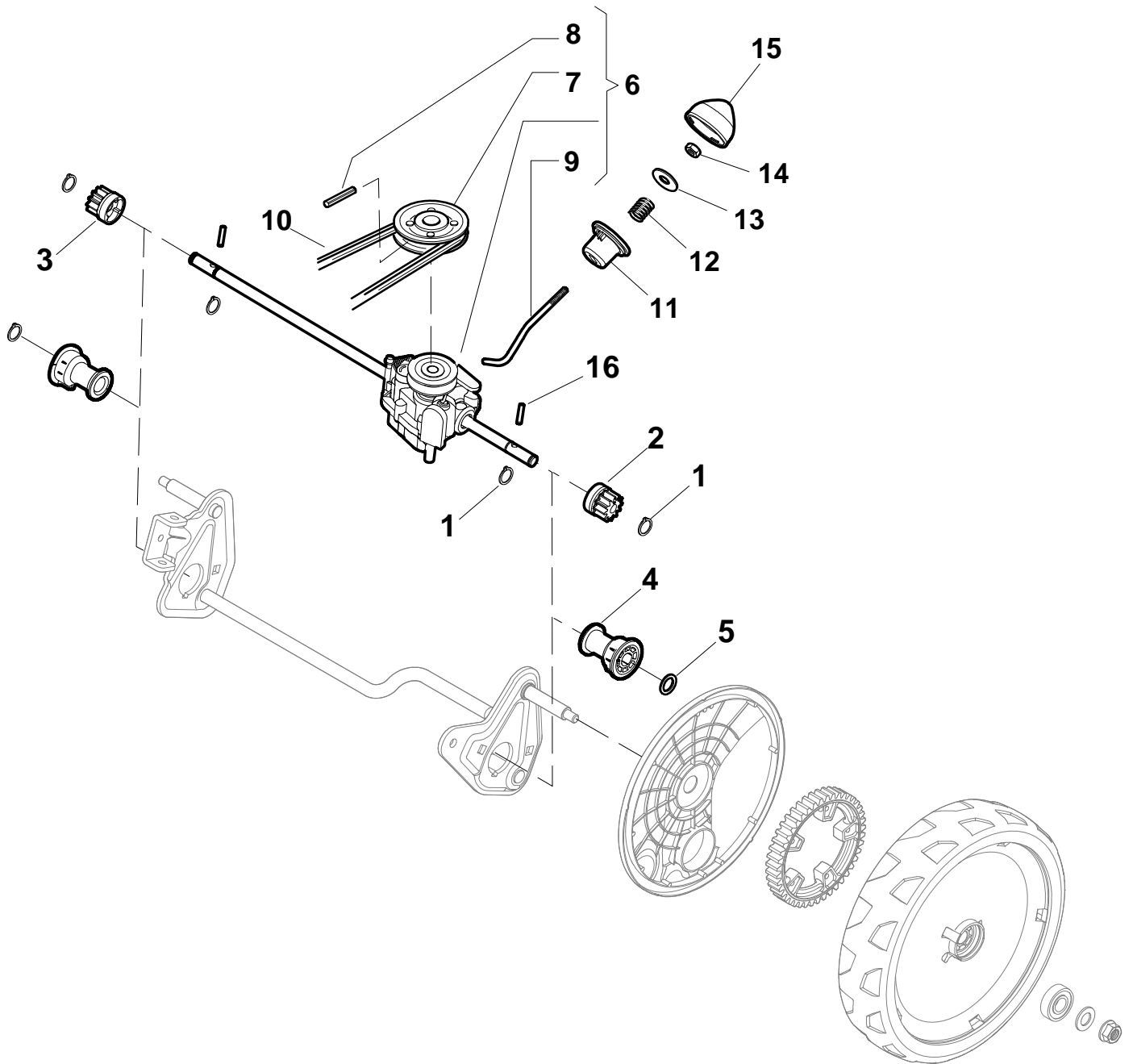
A 460 WSE

Handle, Upper Part

Pos.	Part no.	Q.ty	Description	Remarks
1	81006603/0	1	Handle, Upper Part	
2	22192000/1	2	Clamp	
3	18710628/0	1	Dead Hand Switch	AUS/NZ
3	81600500/1	1	Dead Hand Switch	CE
3	81600501/1	1	Dead Hand Switch	CH
3	81600502/1	1	Dead Hand Switch	UK
4	12728701/0	2	Screw	
5	22195101/4	1	Fairlead	
11	12735103/0	3	Screw	
12	12523040/0	3	Washer	
13	22680006/1	3	Washer	
14	322806518/2	1	Support, R	
15	22020320/0	1	Fairlead Bearing	
16	322806519/2	1	Support, L	
17	81003372/0	1	Driving Lever	
18	22806520/0	1	Support, Adjuster	



A 460 WSE
Rear Drive





A 460 WSE

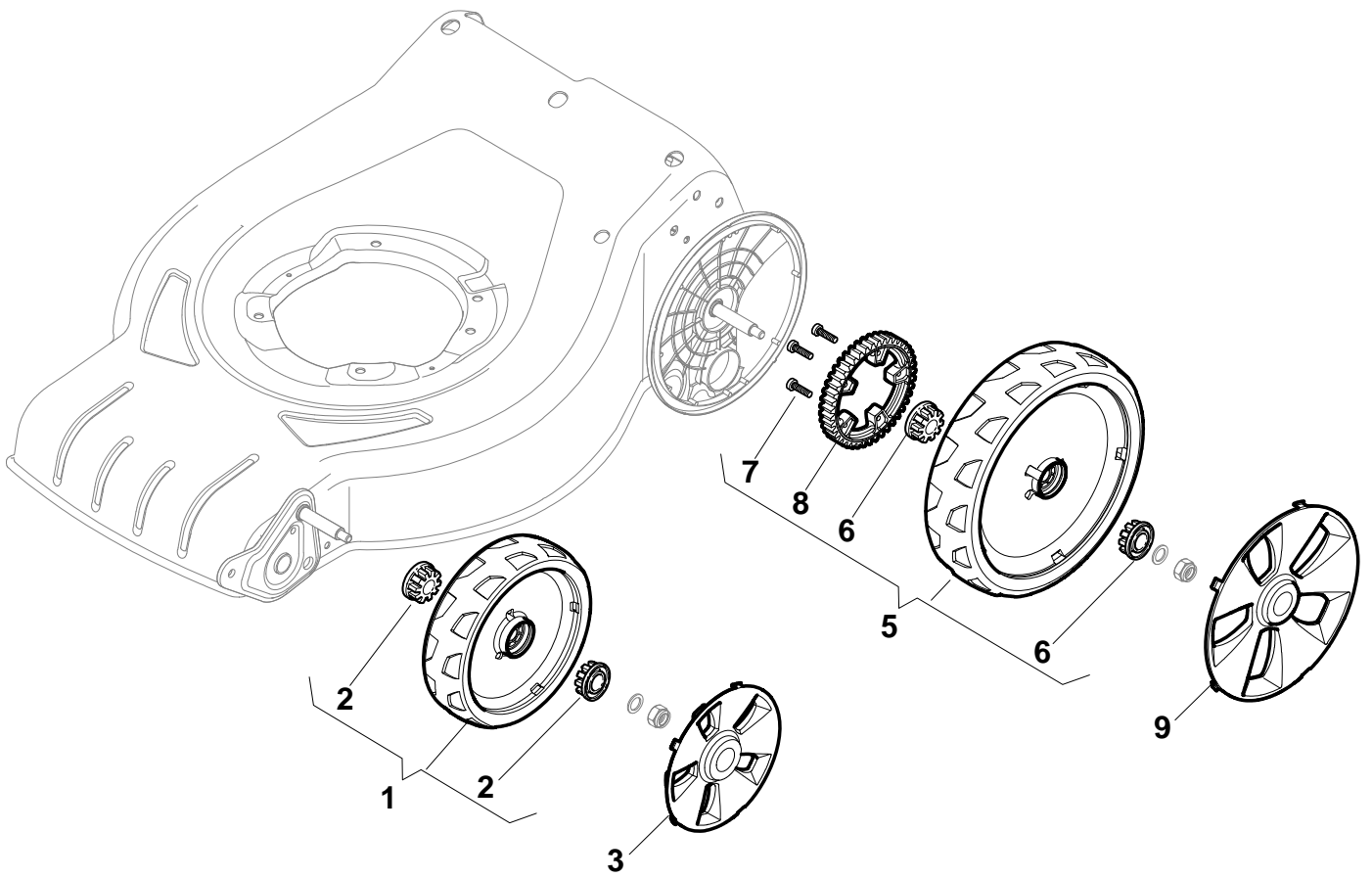
Rear Drive

Pos.	Part no.	Q.ty	Description	Remarks
1	12608600/0	4	Seeger	
2	22570120/1	1	Pinion L	
3	22570110/1	1	Pinion R	
4	322042066/0	2	Bush	
5	112521371/0	2	Washer	
6	81003092/0	1	Gear Box	
7	22601904/0	1	Pulley	
8	12645700/0	1	Pin	
9	22033283/0	1	Adjustment Rod	
10	35063800/0	1	Belt Z 27	
11	22041957/1	1	Bush	
12	22450063/0	1	Spring	
13	22680009/0	1	Washer	
14	12154510/0	1	Nut	
15	22110230/0	1	Cap	
16	22753000/0	2	Pin	



A 460 WSE

Wheel and Hub Cap





A 460 WSE

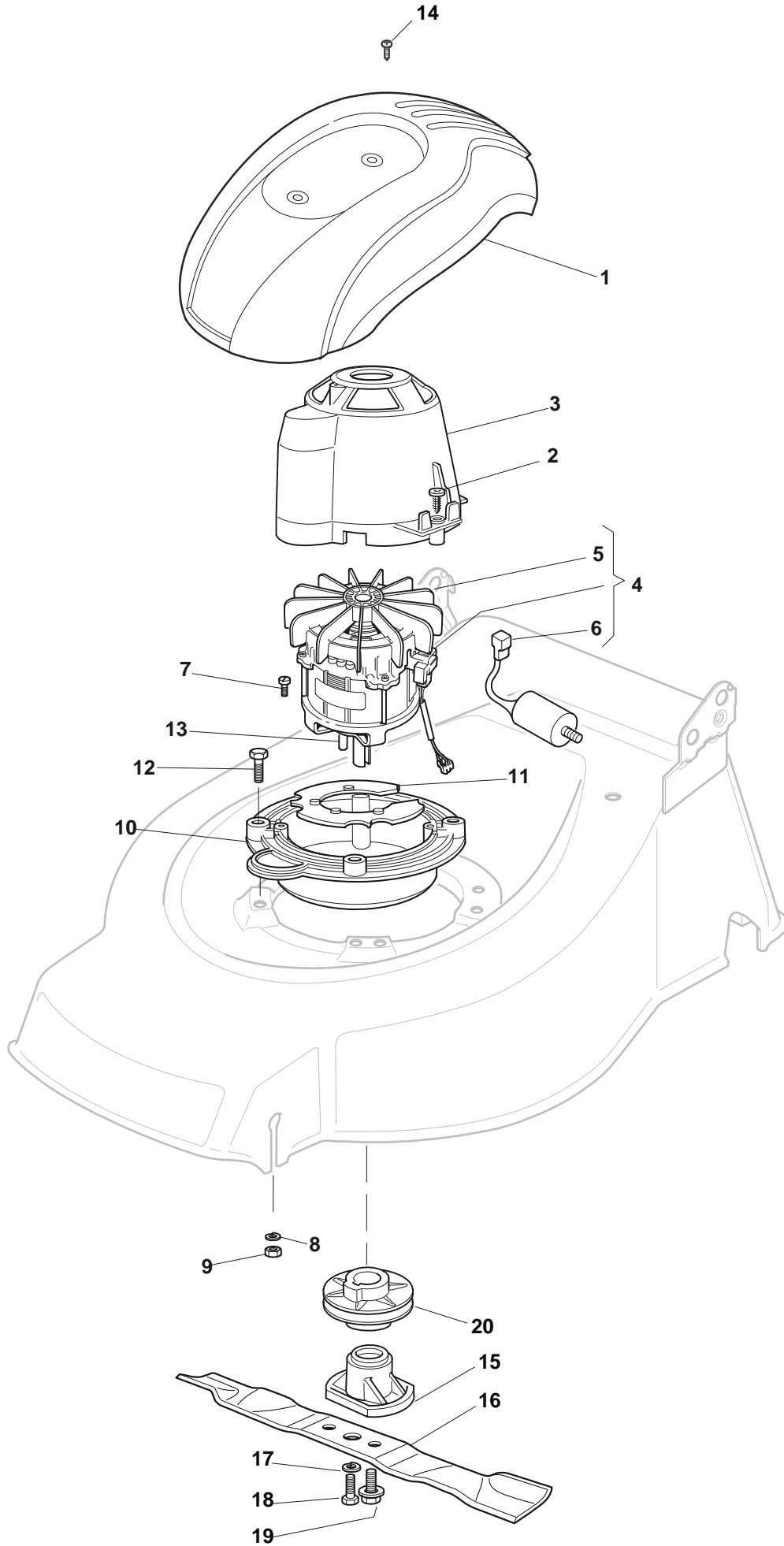
Wheel and Hub Cap

Pos.	Part no.	Q.ty	Description	Remarks
1	381007442/0	2	Wheel Ø 180	
2	322042064/0	4	Bush	
3	322110636/0	2	Hub Cap Grey	
5	381007462/0	2	Wheel Ø 240	
6	322042064/0	4	Bush	
7	112728706/0	6	Screw	
8	322120117/0	2	Ring Gear	
9	322110637/0	2	Hub Cap Grey	



A 460 WSE

Electric Motor/Blade





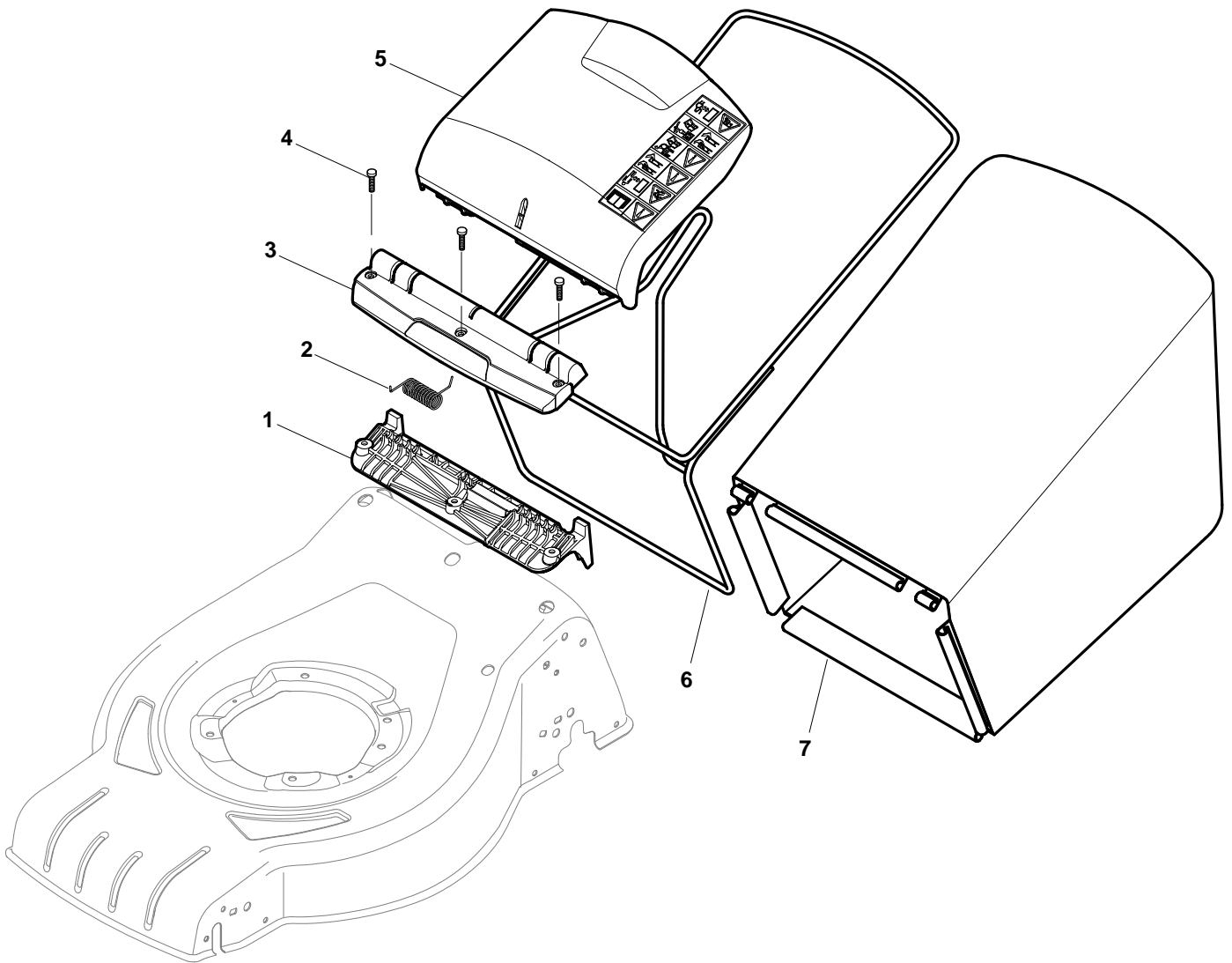
A 460 WSE

Electric Motor/Blade

Pos.	Part no.	Q.ty	Description	Remarks
1	22055065/0	1	Cover	
2	22785210/0	1	Support, Cover	
3	12728710/0	4	Screw	
4	118563641/1	1	Motor Atb	
5	18740054/0	1	Fan Motor Atb	
6	18222039/0	1	Condenser 25 µf	1800W
7	12735410/0	4	Screw	
8	12583500/0	4	Grower	
9	12293200/0	4	Nut	
10	322207211/4	1	Flange	
11	322720360/2	1	Ventilation Screen	
12	12793700/0	4	Screw	
13	12139440/0	1	Feather	
14	12728680/0	2	Screw	
15	322463186/3	1	Hub	
16	81004346/3	1	Blade Standard	
17	12583500/0	2	Grower	
18	12793102/0	2	Screw	
19	381004352/1	1	Screw	
20	22601911/1	1	Pulley	



A 460 WSE
Grass-Catcher





A 460 WSE

Grass-Catcher

Pos.	Part no.	Q.ty	Description	Remarks
1	322785331/0	1	Support	
2	122450464/0	1	Spring	
3	322109557/0	1	Cover Grey	
4	112728699/0	3	Screw	
5	322600216/0	1	Stone-Guard Grey	
6	181006409/0	1	Chassis Box	
7	181002319/0	1	Box, Fabric	