

GENUINE SPARE PARTS

A 460 WSH Model Year 2011

- Use GLOBAL GARDEN PRODUCT Genuine Spare Parts specified in the parts list for repair and/or replacement.
- The contents described in the parts list may change due to improvement.
- The drawings of the spare parts are only indicative and might not represent the part in question exactly.
- The indications "right" - "left" - "front" - "rear" refer to the position of the operator when using the machine.
- When placing orders of parts for repair and/or replacement, make sure that the illustrated parts list is the one applying to the machine's year of manufacture, as shown on the identification plate attached to the machine.

COPYRIGHT by GLOBAL GARDEN PRODUCTS

All rights reserved. No part of this material may be reproduced or transmitted, in any form or by any means, electronic or mechanical, including photocopying, recording or by any information storage and retrieval system, without permission in writing from GLOBAL GARDEN PRODUCTS.

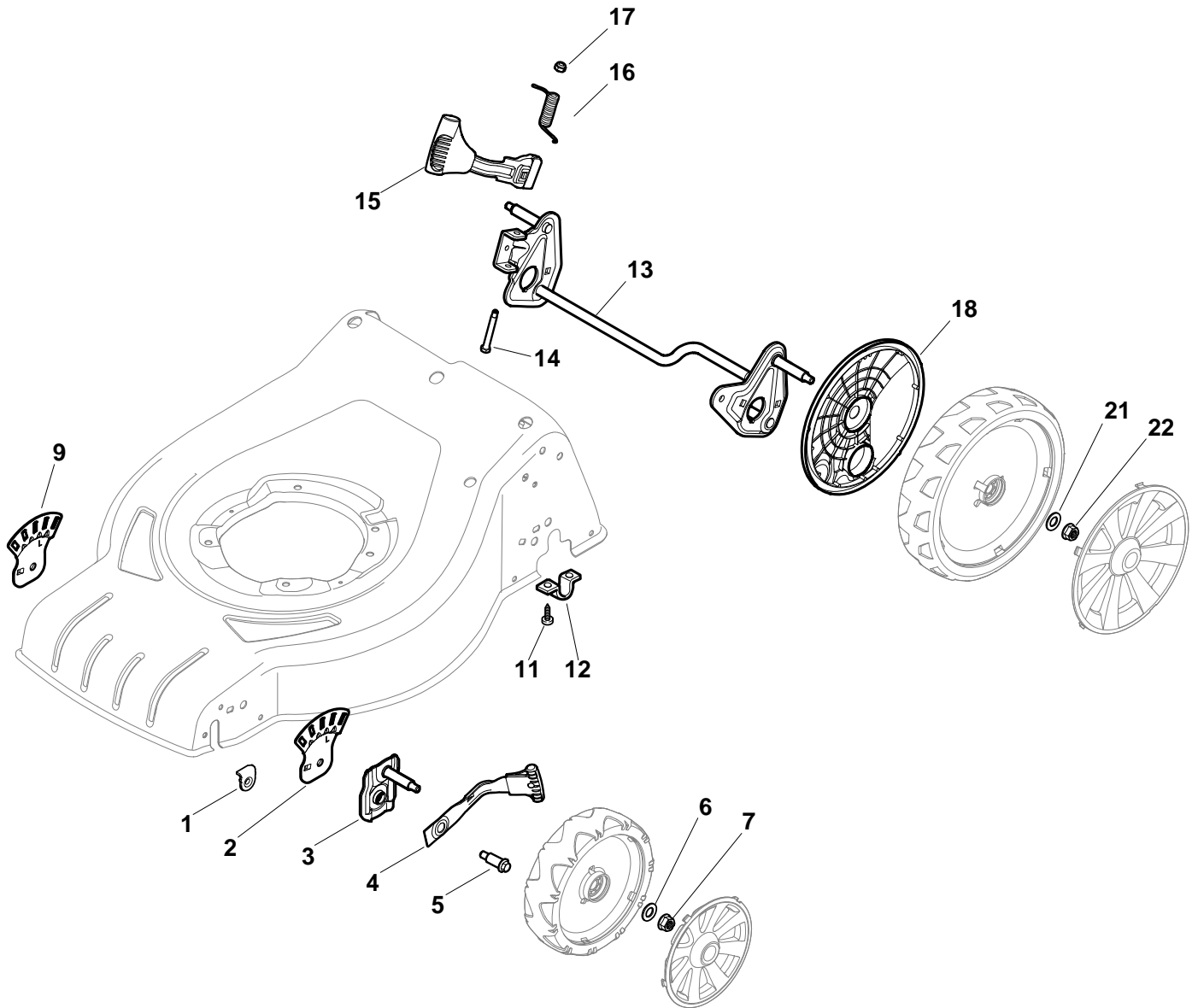
...THINKING GREEN





A 460 WSH

Height Adjusting





A 460 WSH

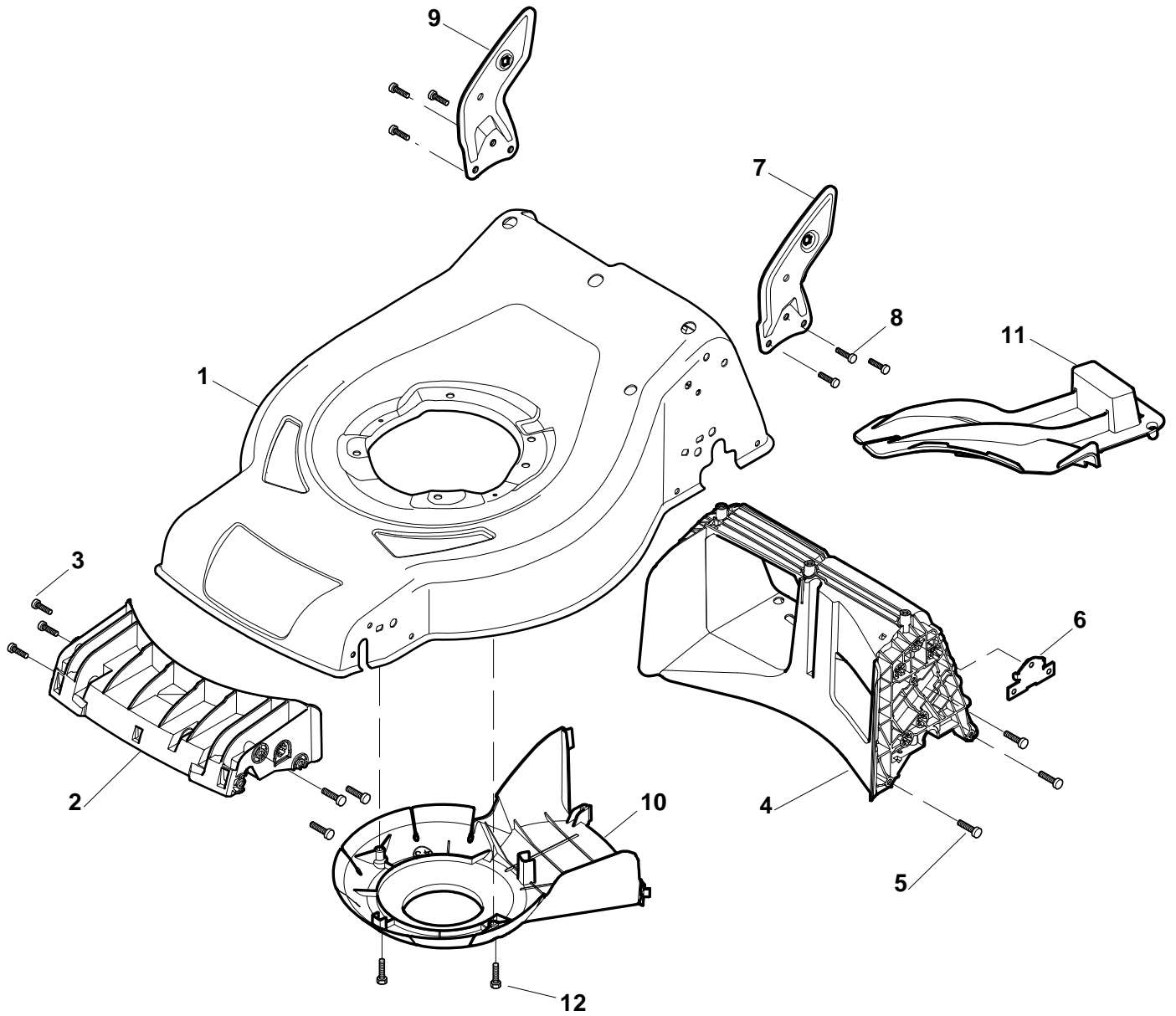
Height Adjusting

Pos.	Part no.	Q.ty	Description	Remarks
1	322545189/0	2	Plate	
2	322735597/0	1	Sector, Height Adjustment	
3	381005141/0	2	Support, Wheel	
4	381003354/0	2	Lever, Height Adjustment	
5	22519811/0	2	Pin	
6	12521350/0	2	Washer	
7	12155000/0	2	Nut	
9	322735595/0	1	Sector, Height Adjustment	
11	112728698/0	4	Screw	
12	22545152/0	2	Plate	
13	381302817/0	1	Axle, Rear Wheels	
14	122534131/0	1	Pin	
15	381003357/0	1	Lever, Height Adjustment	
16	122446192/0	1	Spring	
17	12154510/0	1	Nut	
18	322600205/0	2	Wheel Protection	
21	12521350/0	2	Washer	
22	12155000/0	2	Nut	



A 460 WSH

Deck





A 460 WSH

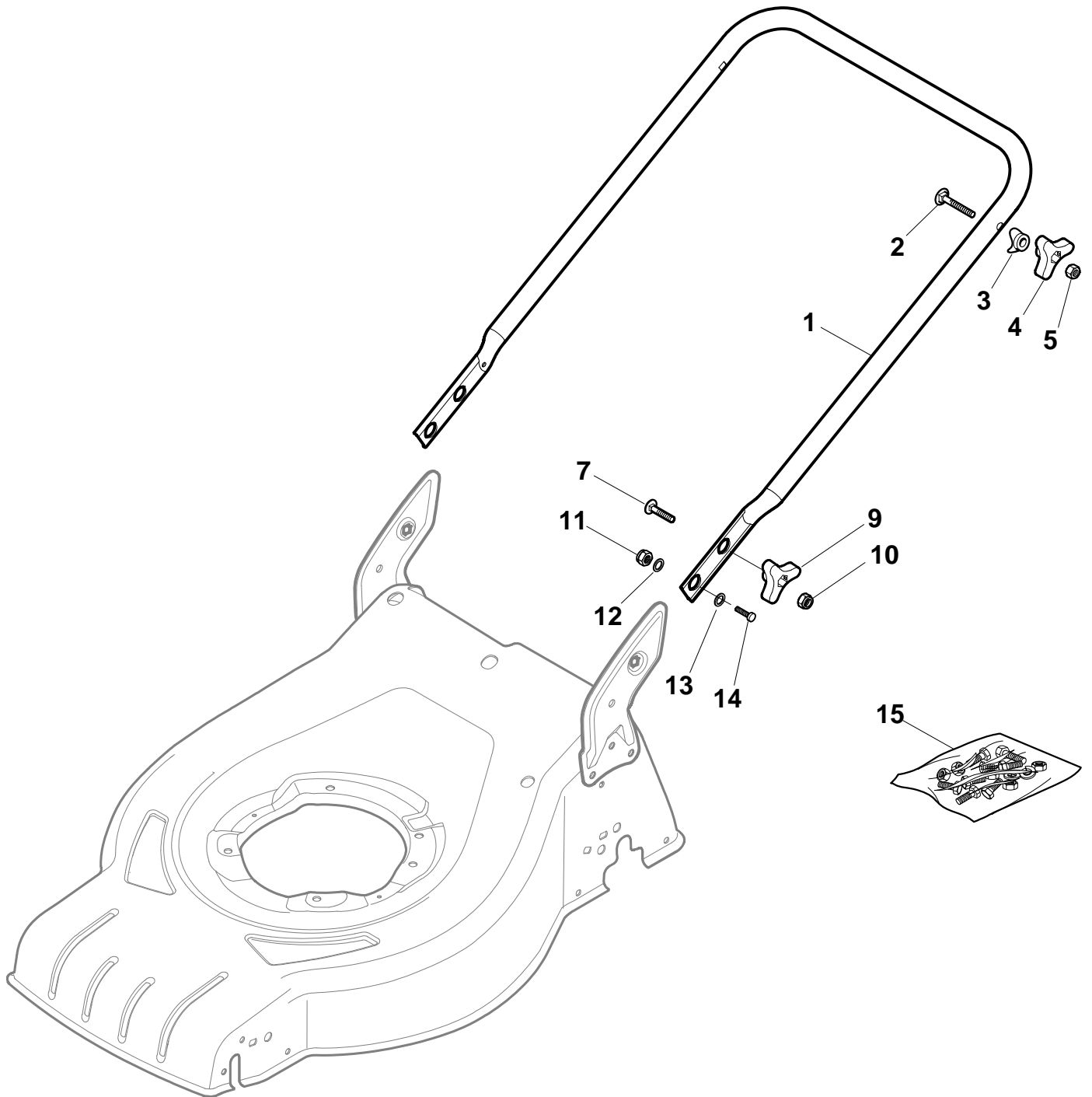
Deck

Pos.	Part no.	Q.ty	Description	Remarks
1	381004051/0	1	Deck	
2	322108301/0	1	Front Conveyor Assy	
3	112728699/0	6	Screw	
4	322108302/0	1	Rear Conveyor Assy	
5	112728699/0	6	Screw	
6	322545213/0	2	Plate	
7	381005139/0	1	Bracket, L	
8	112727801/0	6	Screw	
9	381005137/0	1	Bracket, R	
10	322060242/0	1	Protection, Belt	
11	322140239/0	1	Deflector	
12	12728530/0	2	Screw	



A 460 WSH

Handle, Lower Part





A 460 WSH

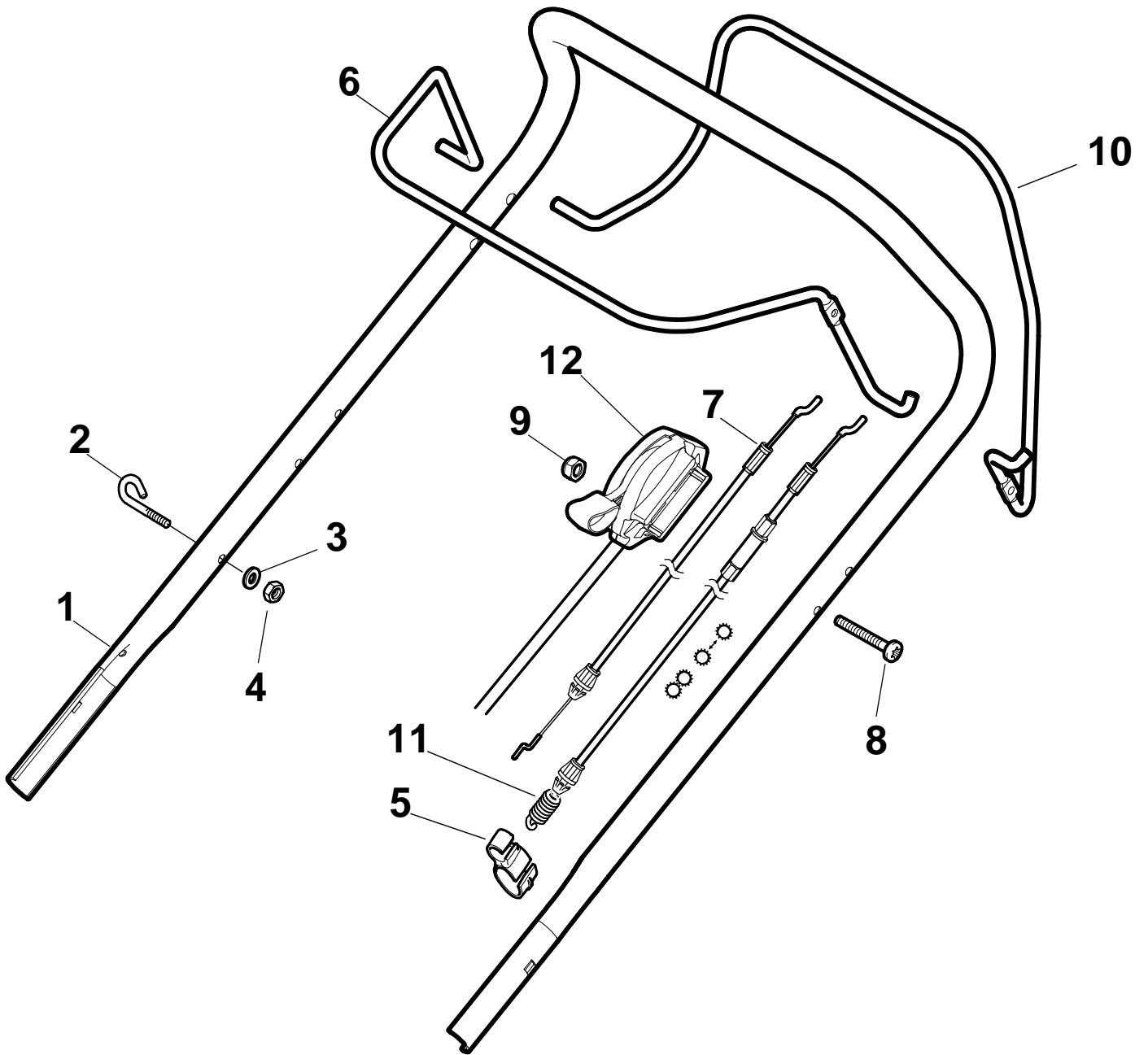
Handle, Lower Part

Pos.	Part no.	Q.ty	Description	Remarks
1	381006737/0	1	Handle, Lower Part	
2	12819120/0	2	Screw	
3	22680006/1	2	Washer	
4	322399840/0	2	Knob	
5	12293200/0	2	Nut	
7	12818900/0	2	Screw	
9	322399840/0	2	Knob	
10	12293200/0	2	Nut	
11	12155000/0	2	Nut	
12	12521350/0	2	Washer	
13	12369500/0	2	Washer	
14	12760605/0	2	Screw	
15	381008692/0	1	Outfit, Screws	



A 460 WSH

Handle, Upper Part





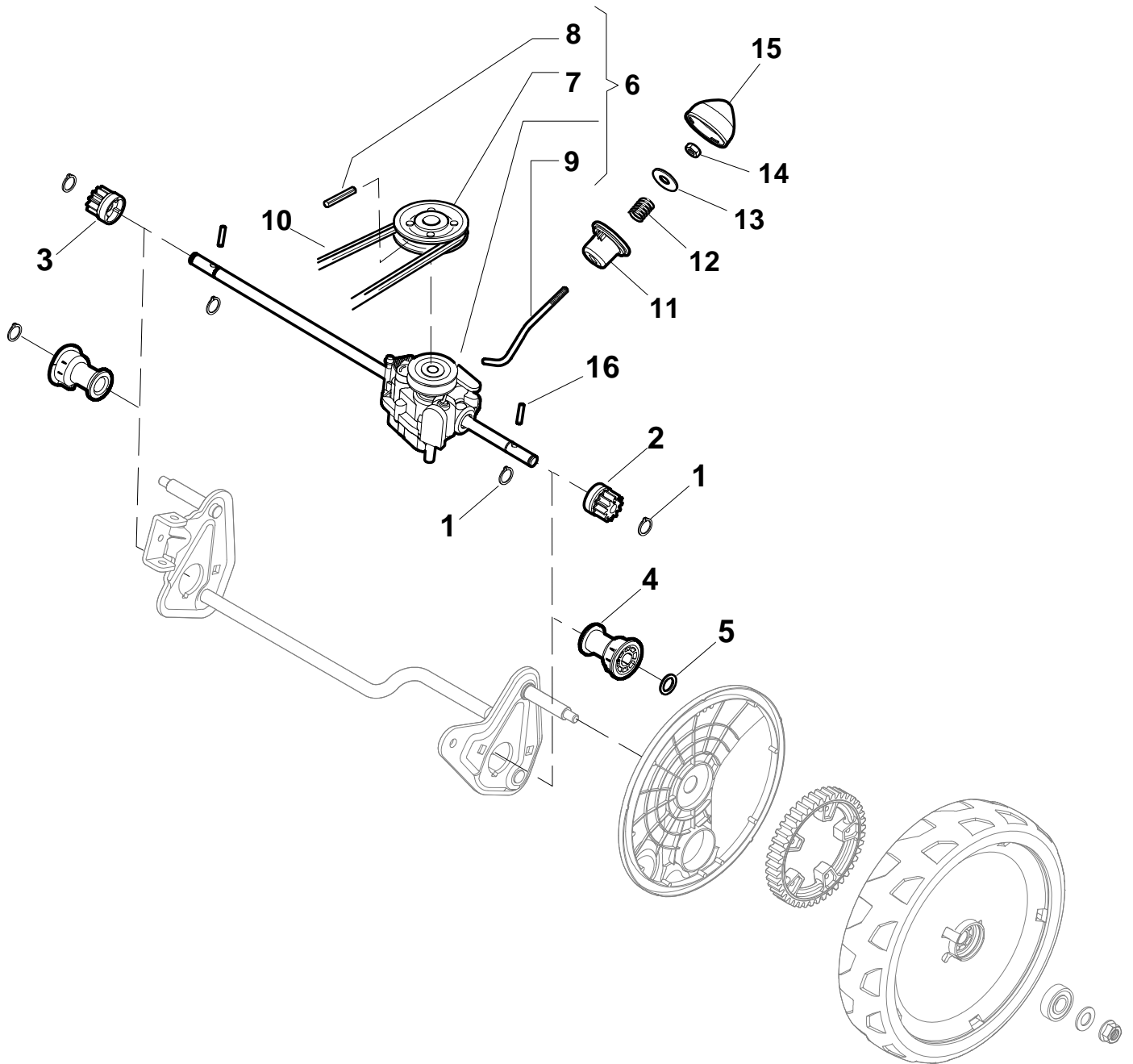
A 460 WSH

Handle, Upper Part

Pos.	Part no.	Q.ty	Description	Remarks
1	381006739/0	1	Handle, Upper Part	
2	22430313/0	1	Guide Spring	
3	12521330/0	1	Washer	
4	12154510/0	1	Nut	
5	118390020/0	1	Fairlead	
6	381003365/0	1	Lever, Engine Brake Yellow	
7	181030069/0	1	Cable, Thread Eng. Brake	
8	12727783/0	1	Screw	
9	12154510/0	1	Nut	
10	381003366/0	1	Lever, Driving Yellow	
11	381030051/0	1	Cable, Rear Drive	
12	181005517/0	1	Throttle Cable	



A 460 WSH
Rear Drive





A 460 WSH

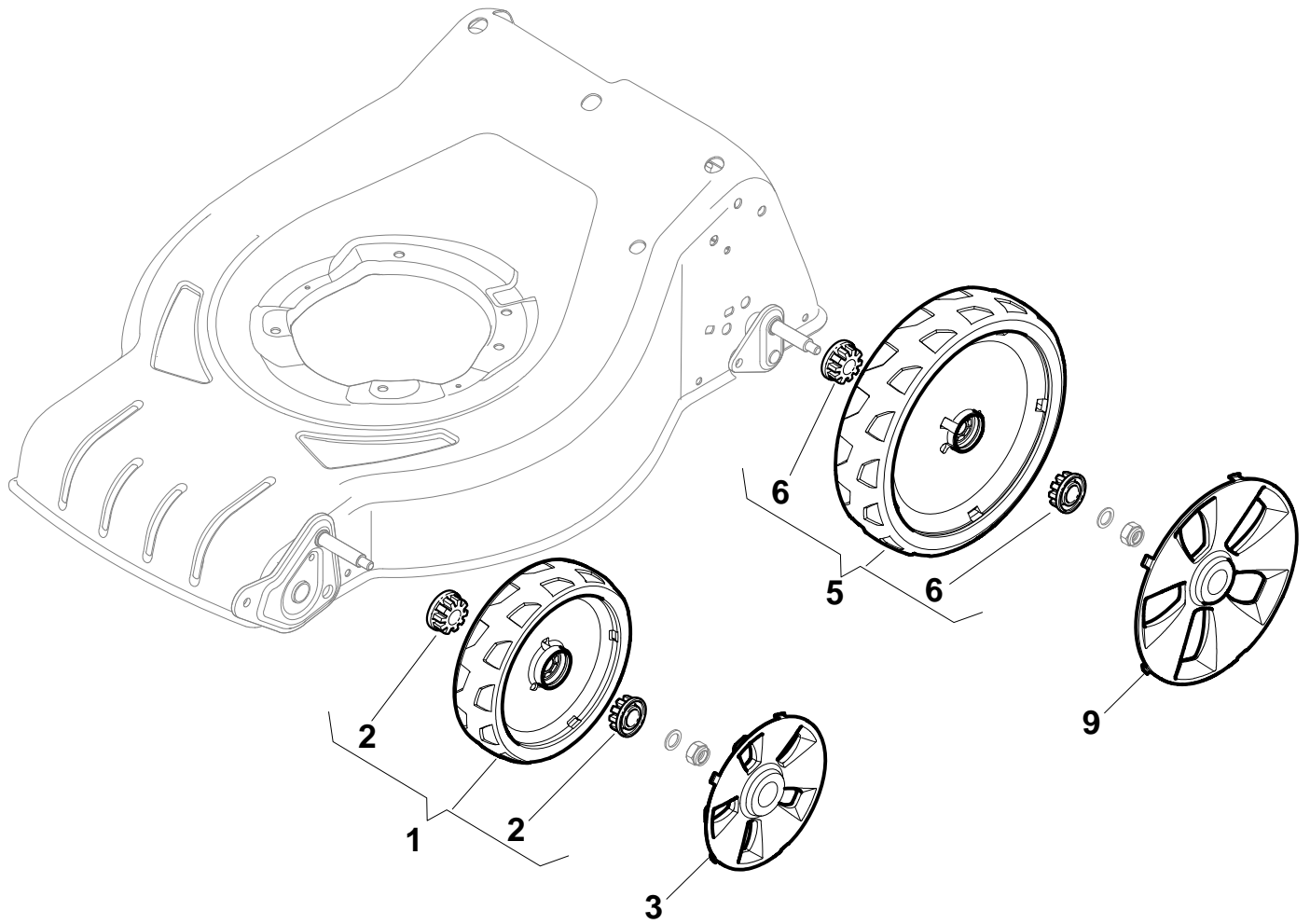
Rear Drive

Pos.	Part no.	Q.ty	Description	Remarks
1	12608600/0	4	Seeger	
2	22570120/1	1	Pinion L	
3	22570110/1	1	Pinion R	
4	322042066/0	2	Bush	
5	112521371/0	2	Washer	
6	81003092/0	1	Gear Box	
7	22601904/0	1	Pulley	
8	12645700/0	1	Pin	
9	22033283/0	1	Adjustment Rod	
10	35063800/0	1	Belt Z 27	
11	22041957/1	1	Bush	
12	22450063/0	1	Spring	
13	22680009/0	1	Washer	
14	12154510/0	1	Nut	
15	22110230/0	1	Cap	
16	22753000/0	2	Pin	



A 460 WSH

Wheel and Hub Cap





A 460 WSH

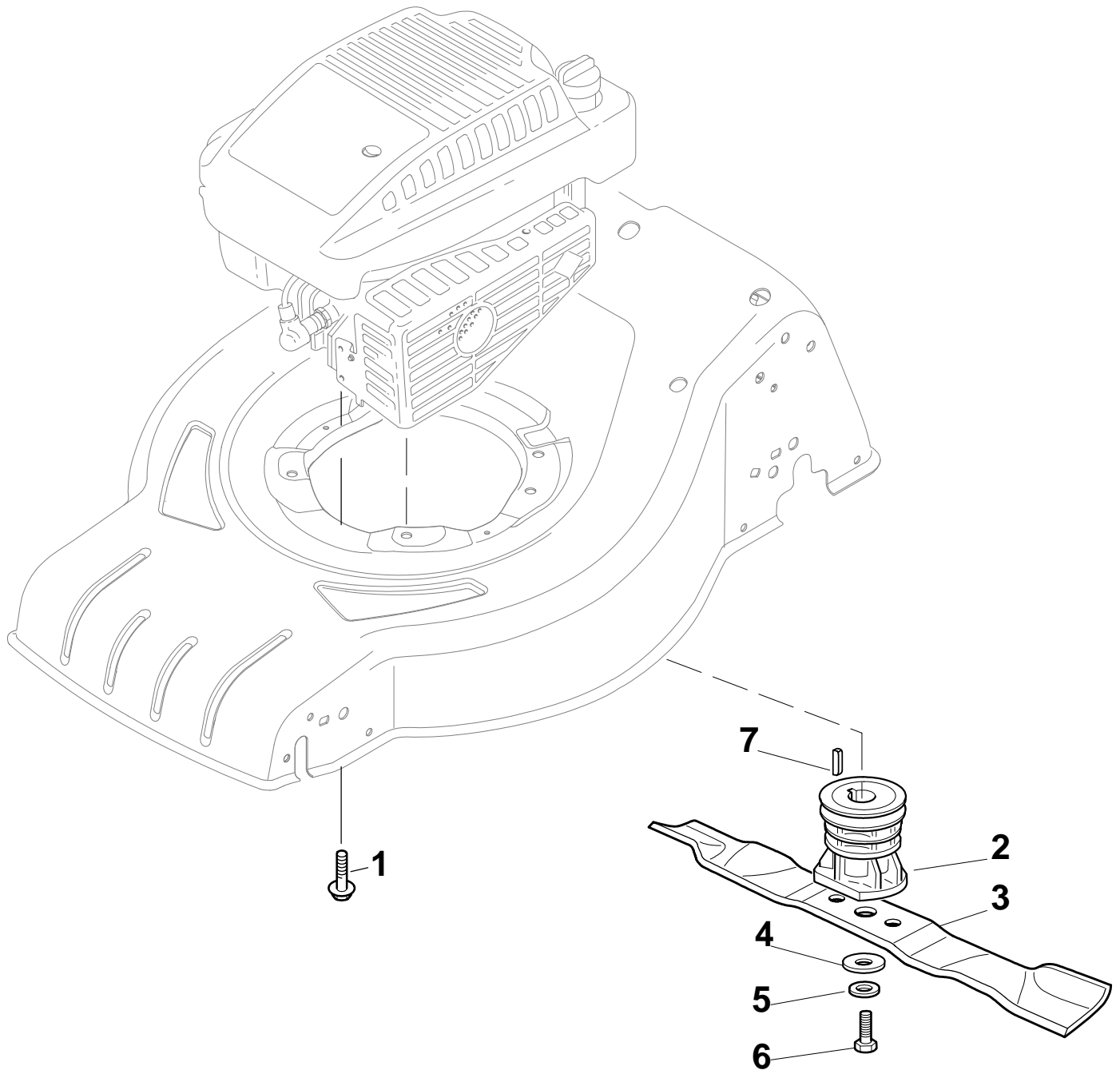
Wheel and Hub Cap

Pos.	Part no.	Q.ty	Description	Remarks
1	381007442/0	2	Wheel Ø 180	
2	322042064/0	4	Bush	
3	322110636/0	2	Hub Cap Grey	
5	381007443/0	2	Wheel Ø 240	
6	322042064/0	4	Bush	
9	322110637/0	2	Hub Cap Grey	



A 460 WSH

Blade





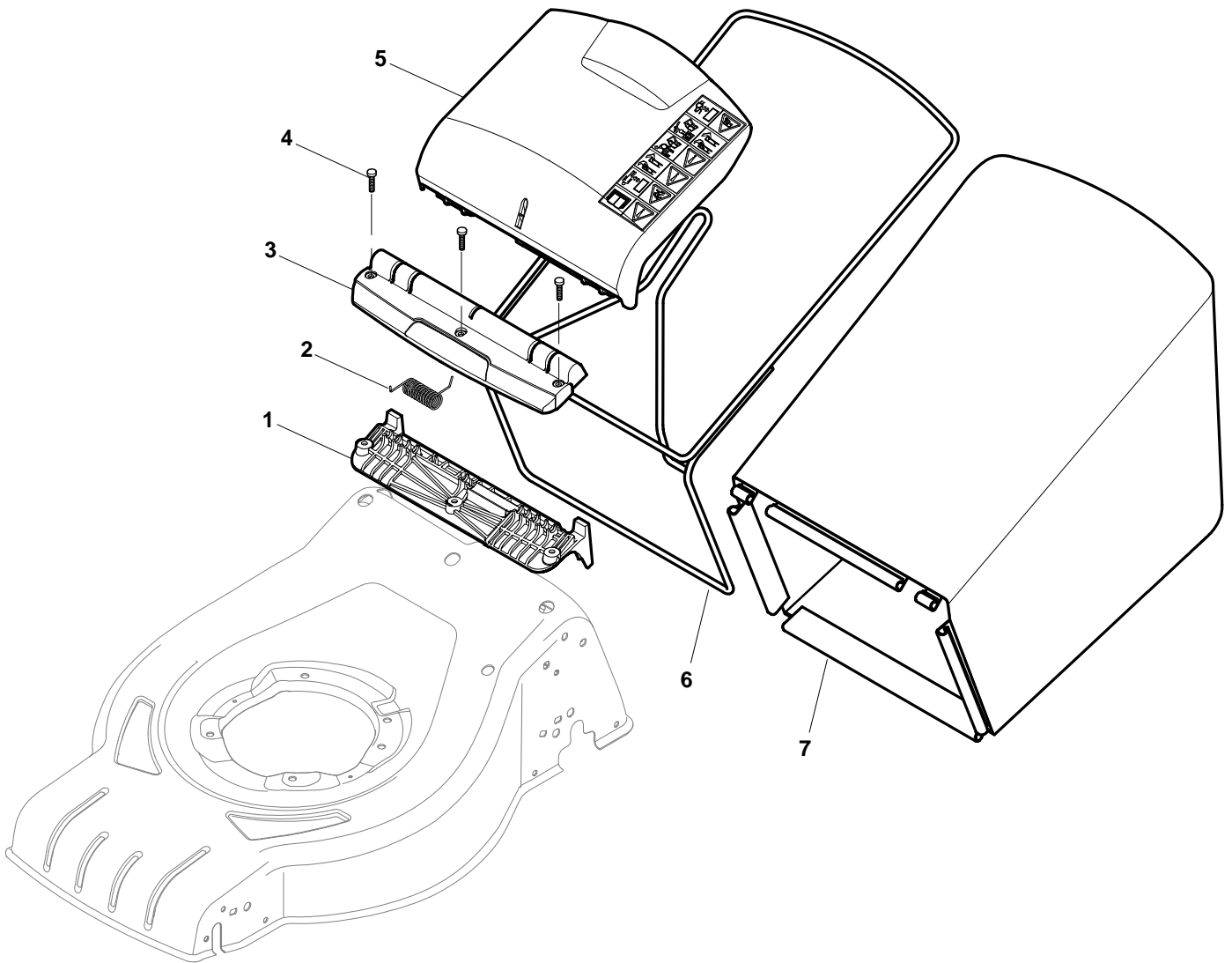
A 460 WSH

Blade

Pos.	Part no.	Q.ty	Description	Remarks
1	112735108/1	3	Screw	
2	122465608/2	1	Hub With Pulley, Crankshaft Ø 25	
3	81004346/3	1	Blade Standard	
4	22160400/0	1	Dust Cover	
5	12523080/0	1	Washer	
6	12735698/0	1	Screw	
7	12139150/0	1	Feather, Crankshaft Ø 25	



A 460 WSH
Grass-Catcher





A 460 WSH

Grass-Catcher

Pos.	Part no.	Q.ty	Description	Remarks
1	322785331/0	1	Support	
2	122450464/0	1	Spring	
3	322109557/0	1	Cover Grey	
4	112728699/0	3	Screw	
5	322600216/0	1	Stone-Guard Grey	
6	181006409/0	1	Chassis Box	
7	181002319/0	1	Box, Fabric	