

# ALPINK

[www.alpinagarden.com](http://www.alpinagarden.com)

## Parts Catalogue

### AT7 92 HCB

### 2T0430206/12 - Season 2017

- Use GLOBAL GARDEN PRODUCT Genuine Spare Parts specified in the parts list for repair and/or replacement.
- The contents described in the parts list may change due to improvement.
- The drawings of the spare parts are only indicative and might not represent the part in question exactly.
- The indications "right" - "left" - "front" - "rear" refer to the position of the operator when using the machine.
- When placing orders of parts for repair and/or replacement, make sure that the illustrated parts list is the one applying to the machine's year of manufacture, as shown on the identification plate attached to the machine.

© Copyright 2017 Global Garden Products

All content is subject to copyright by Global Garden Products and may not be reproduced in whole or in part by any means, electronic or otherwise, without prior written approval.

THIS INFORMATION IS NOT INTENDED FOR SALE OR RESALE, AND THIS NOTICE MUST REMAIN ON ALL COPIES.



Engineered to amaze you

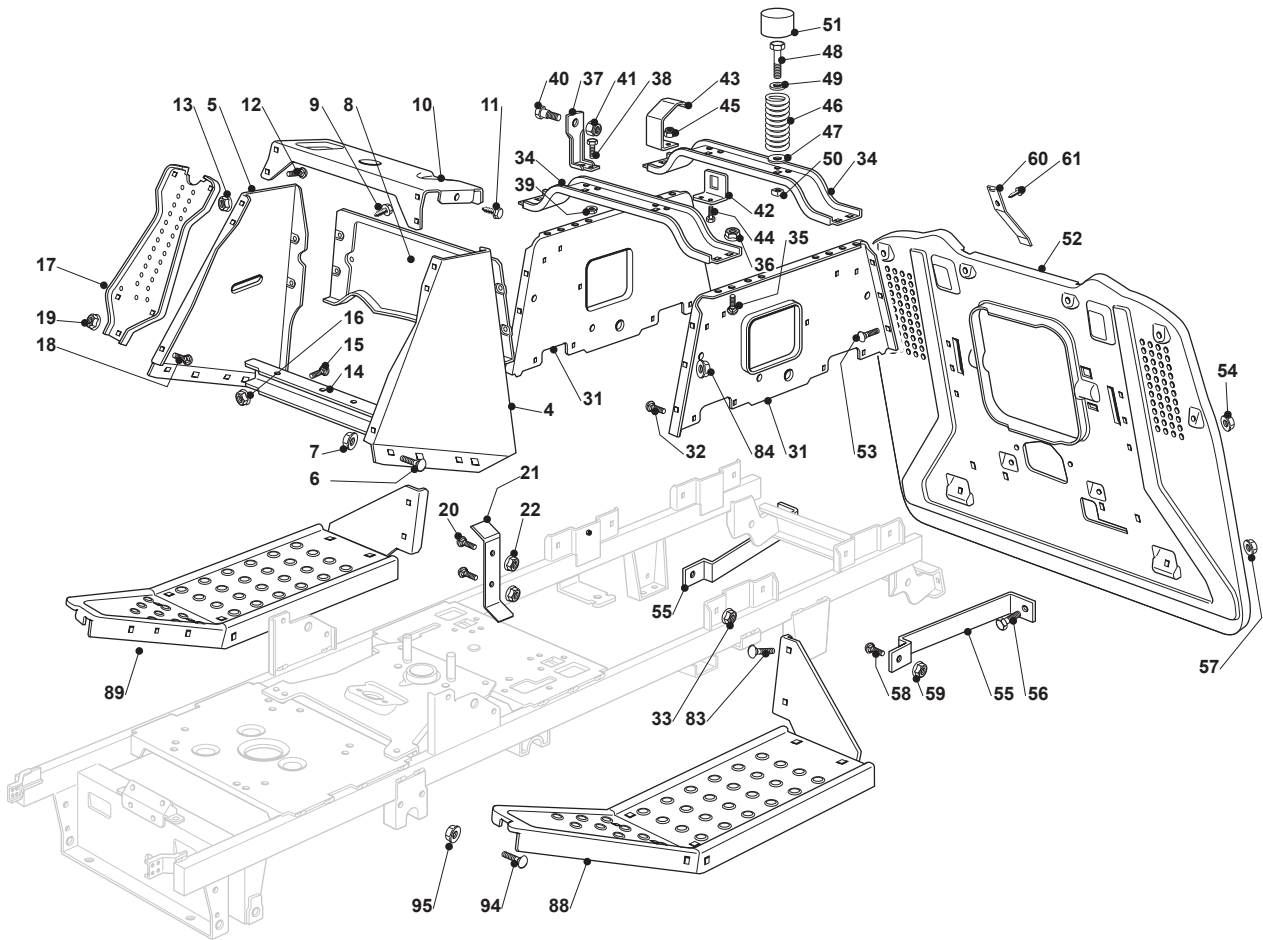
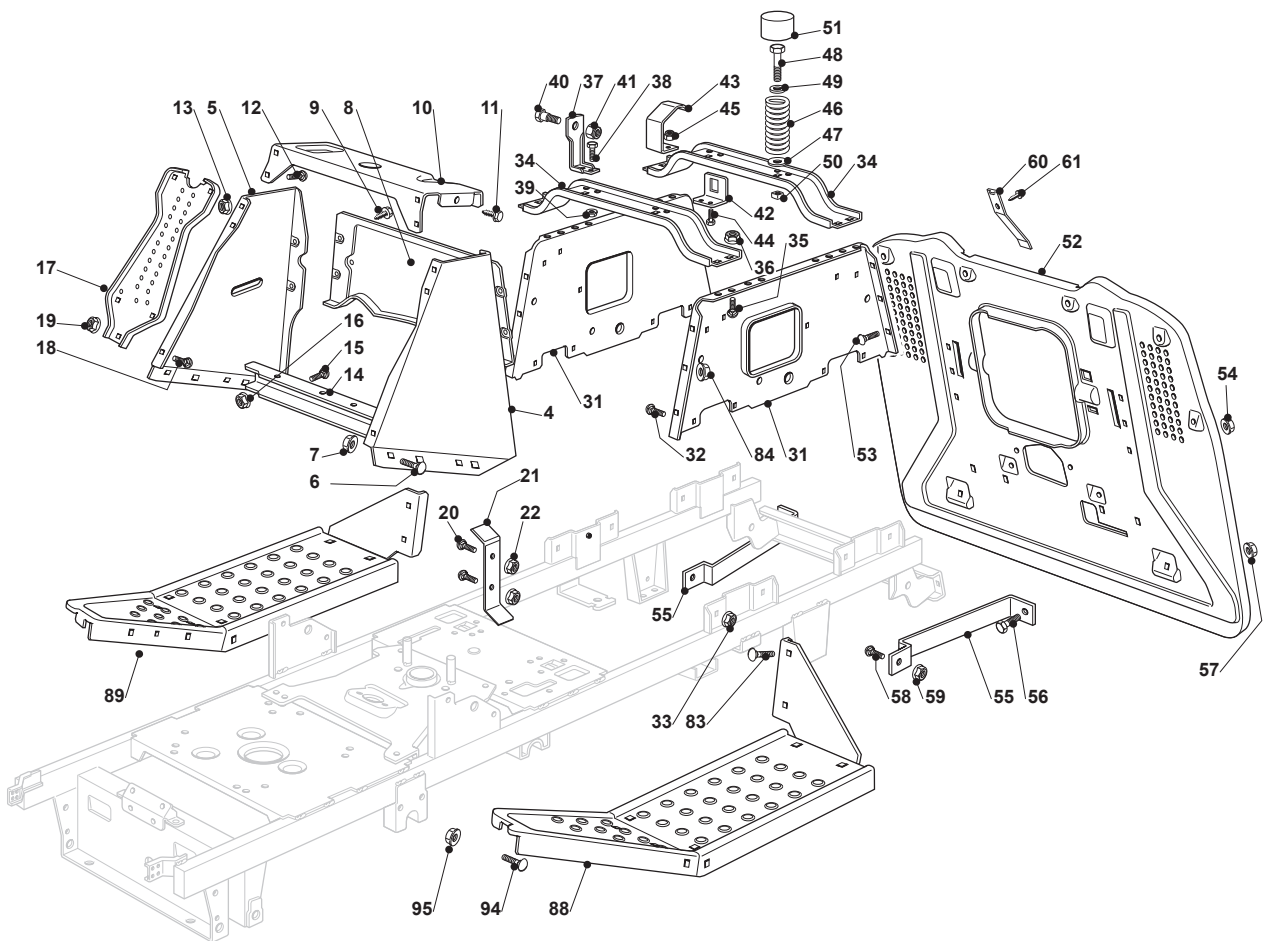


Fig.	Q.ty	Part No	Description	Notes
40	2	122524970/3	Pin	
4	1	325785245/0	Right Dashboard Support	
5	1	325785243/1	Left Dashboard Support	
6	4	112818690/0	Screw	
7	4	112293201/0	Nut	
8	1	382785151/2	Rear Dashboard Support	
9	4	112735110/0	Screw	
10	1	325785255/0	Central Dashboard Support	
11	2	112735110/0	Screw	
12	4	112815200/0	Screw	
13	4	112292102/0	Nut	
14	1	325785241/0	Support	
15	2	112815200/0	Screw	
16	2	112292102/0	Nut	
17	2	382785153/1	Front Dashboard Support	
18	2	112815200/0	Screw	
19	2	112292102/0	Nut	
20	2	112793102/0	Screw	
21	1	325785499/0	Support	
22	2	112293201/0	Nut	
31	2	325785249/0	Seat Support	
32	8	112815200/0	Screw	
33	8	112292102/0	Nut	
34	2	325785257/1	Seat Support	
35	8	112818690/0	Screw	
36	8	112293201/0	Nut	
37	2	325755039/0	Bracket	
38	4	112792611/0	Screw	
39	4	112293201/0	Nut	
41	2	112155010/0	Nut	
42	1	325755043/0	Bracket	
43	1	325430253/0	Spring	
44	2	112789000/0	Screw	
45	2	112154330/0	Nut	
46	2	125430257/1	Spring	
47	2	112523070/0	Washer	
48	2	112760515/0	Screw	
49	2	122671653/0	Washer	
50	2	112360425/0	Nut	
51	2	325122000/2	Spring	
52	1	382547041/1	Plate	
53	6	112792611/0	Screw	
54	6	112293201/0	Nut	
55	2	325650119/0	Plate Stiffening	
56	2	112792611/0	Screw	
57	2	112293201/0	Nut	
58	2	112792611/0	Screw	
59	2	112293201/0	Nut	
60	1	125430276/0	Spring	
61	1	112735110/0	Screw	
83	4	112792611/0	Screw	
84	4	112293201/0	Nut	



# AT7 92 HCB



Ride-on 90-92 cm Chassis

Issue 45 - 2016

Fig.	Q.ty	Part No	Description	Notes
88	1	382510079/0	Left Footboard Support	
89	1	382510077/0	Right Footboard Support	
94	4	112815200/0	Screw	
95	4	112292102/0	Nut	

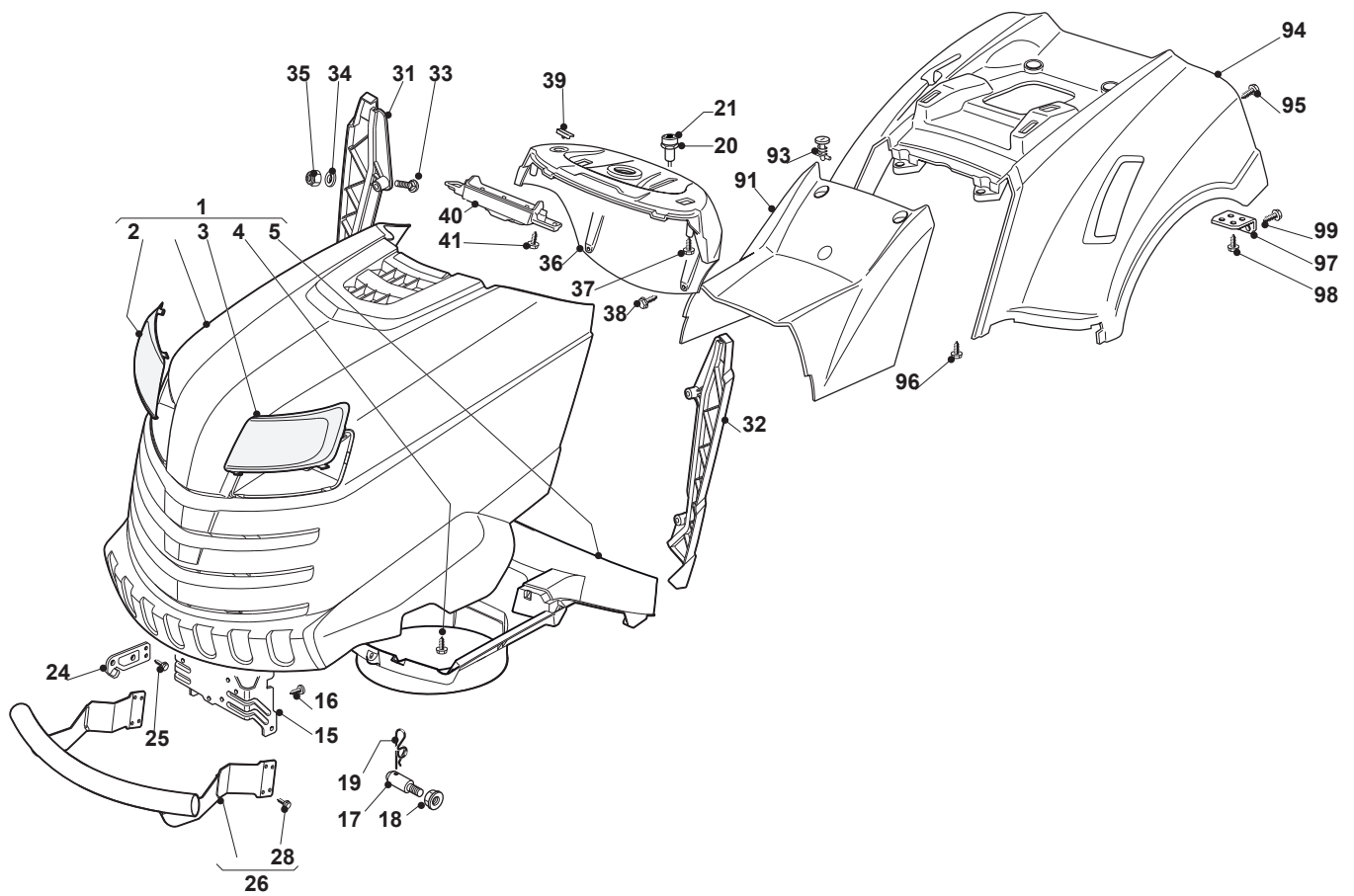


Fig.	Q.ty	Part No	Description	Notes
1	1	382076962/0	Engine Hood	
2	1	325410899/0	Right Grill	
3	1	325410900/0	Left Grill	
4	7	112735404/0	Screw	
5	7	325108052/0	Conveyor	
15	1	325774301/2	Engine Hood Support	
16	5	112735403/0	Screw	
17	2	125510079/1	Pin	
18	2	112293201/0	Nut	
19	2	124487998/0	Cotter Pin	
20	1	325256250/0	Screw Ring	
21	1	325605003/0	Button	
24	2	325547109/2	Plate	
25	4	112731580/0	Screw	
26	1	382869040/0	Muffler Protection	
28	4	112734995/0	Screw	
31	1	325599014/0	Right Dashboard Support	
32	1	325599015/0	Left Dashboard Support	
33	4	112815221/0	Screw	
34	4	112521330/0	Washer	
35	4	112154510/0	Nut	
36	1	325120245/0	Dashboard, Black	
37	2	112728440/0	Screw	
38	2	112735402/0	Screw	
39	2	125260000/0	Grommet	
40	1	325600074/0	Card Protection	
41	2	112735402/0	Screw	
91	1	325110420/0	Central Cover, White	
93	2	125580020/2	Stake	
94	1	325110419/0	White Wheels Cover	
95	4	112735402/0	Screw	
96	2	112735402/0	Screw	
97	2	325755041/0	Bracket	
98	4	112728686/0	Screw	
99	2	112735110/0	Screw	

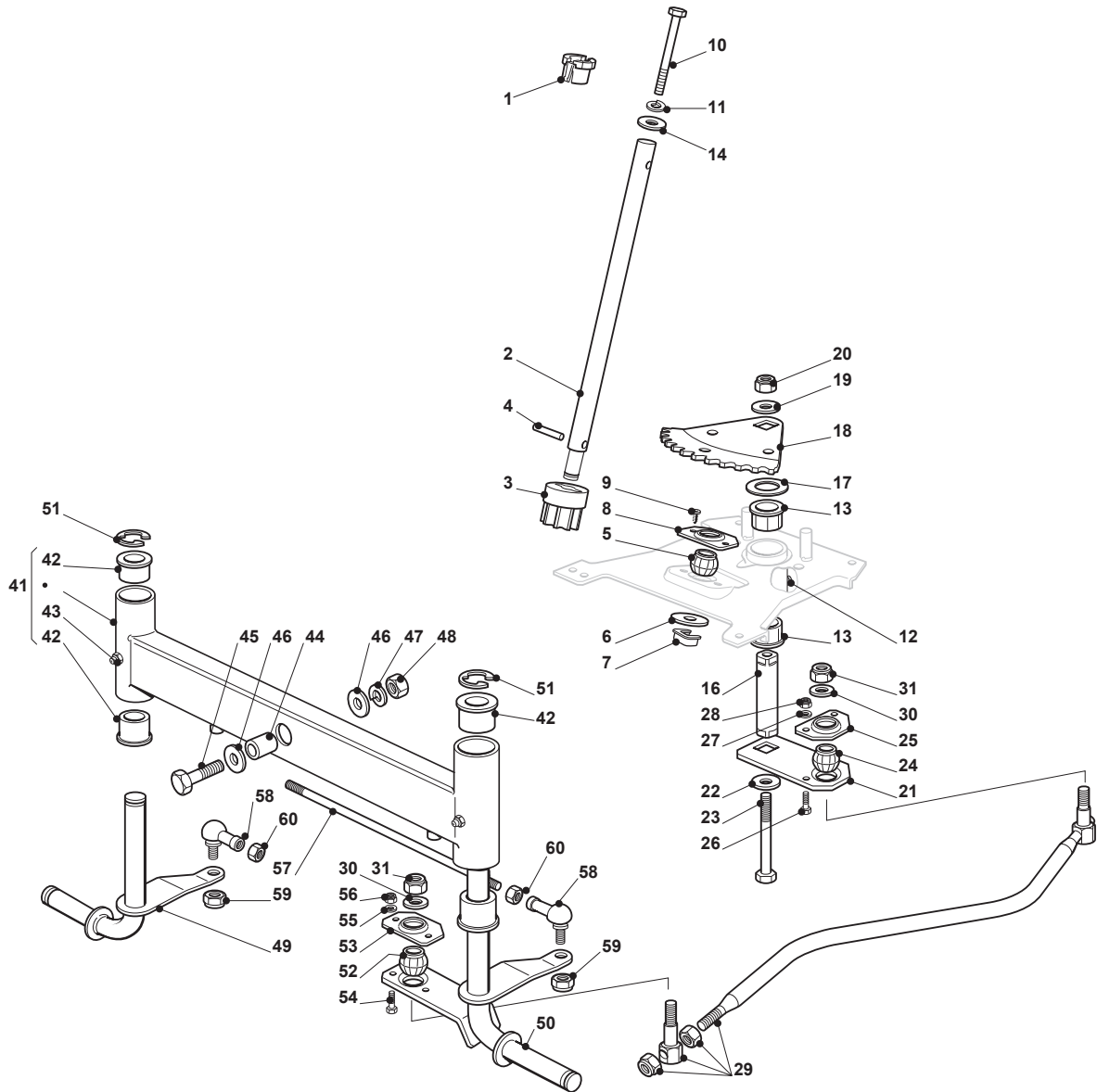




Fig.	Q.ty	Part No	Description	Notes
1	1	325038004/0	Bushing	
2	1	125520014/0	Steering Column	
3	1	127570050/0	Pinion	
4	1	112622650/0	Dowel pin	
5	1	325743000/0	Joint	
6	1	112521370/0	Washer	
7	1	112436030/0	Plate	
8	1	325785213/1	Support	
9	2	112729601/1	Screw	
10	1	112691800/0	Screw	
11	1	112583500/0	Grower	
12	1	112379511/0	Grease Dispenser	
13	2	325040624/0	Bushing	
14	1	112523060/0	Washer	
16	1	125510092/0	Pin	
17	1	125670019/0	Washer	
18	1	325735513/0	Steering Sector	
19	1	112523080/0	Washer	
20	1	112155020/0	Nut	
21	1	325318205/0	Lever	
22	1	112523080/0	Washer	
23	1	112794985/0	Screw	
24	1	325743000/0	Joint	
25	1	325785213/1	Support	
26	2	112791213/1	Screw	
27	2	112521330/0	Washer	
28	2	112154510/0	Nut	
29	1	382000539/1	Steering Rod	
30	2	112523070/0	Washer	
31	2	112155010/0	Nut	
41	1	382034024/1	Equalizer With Bush And Lubricator	
42	4	125034002/1	Bushing	
43	2	112379511/0	Grease Dispenser	
44	1	125160016/1	Spacer	
45	1	112692695/0	Screw	
46	2	112523100/0	Washer	
47	1	112587100/0	Grower	
48	1	112295300/0	Nut	
49	1	382230363/0	Right Stub Axle	
50	1	382230365/0	Left Stub Axle	
51	2	112001000/0	Benzing Ring	
52	1	325743000/0	Joint	
53	1	325785213/1	Support	
54	2	112791213/1	Screw	
55	2	112521330/0	Washer	
56	2	112154510/0	Nut	
57	1	125840023/0	Tie Rod	
58	2	122746609/0	Joint	
59	2	112156602/0	Nut	
60	2	112295200/0	Nut	

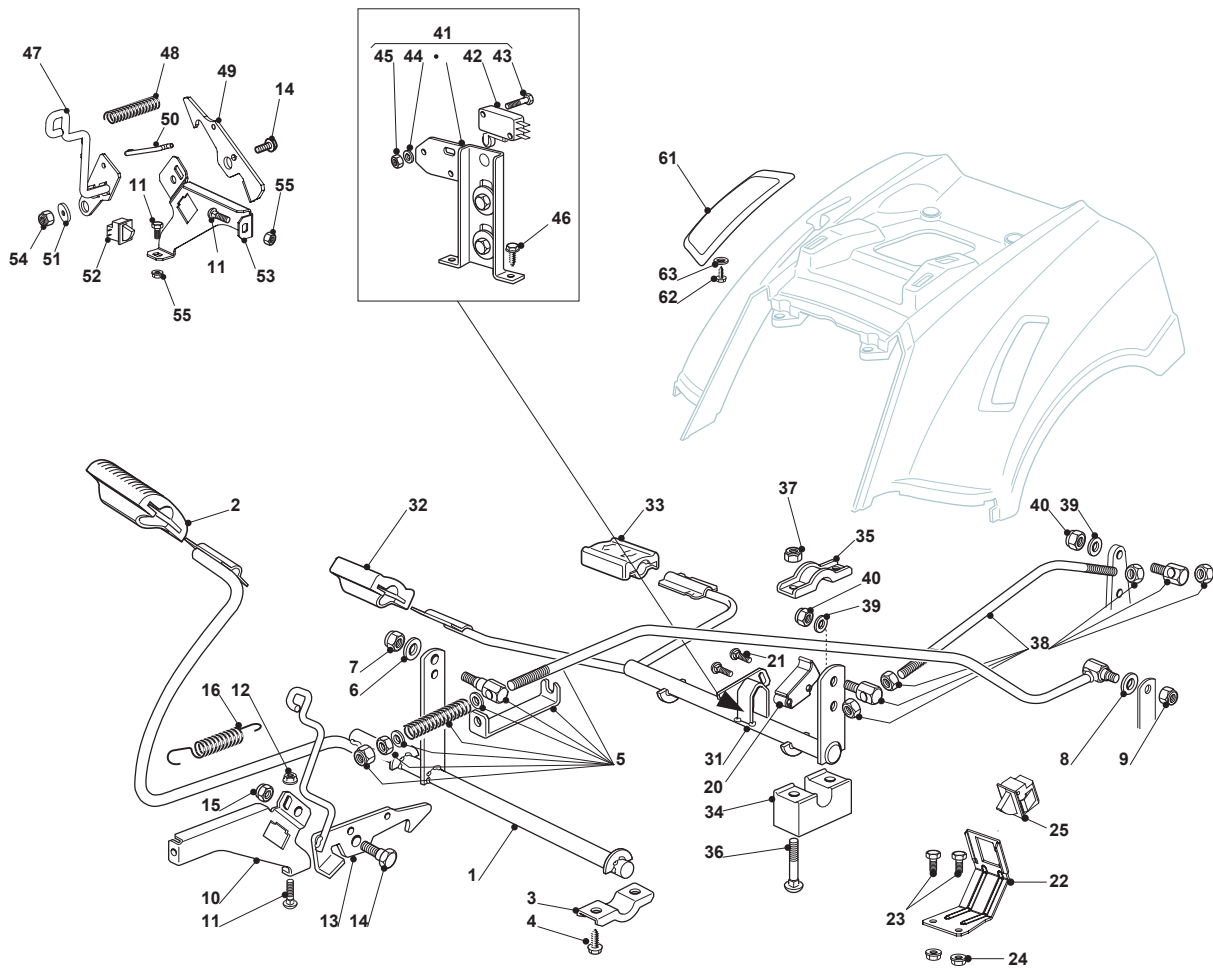
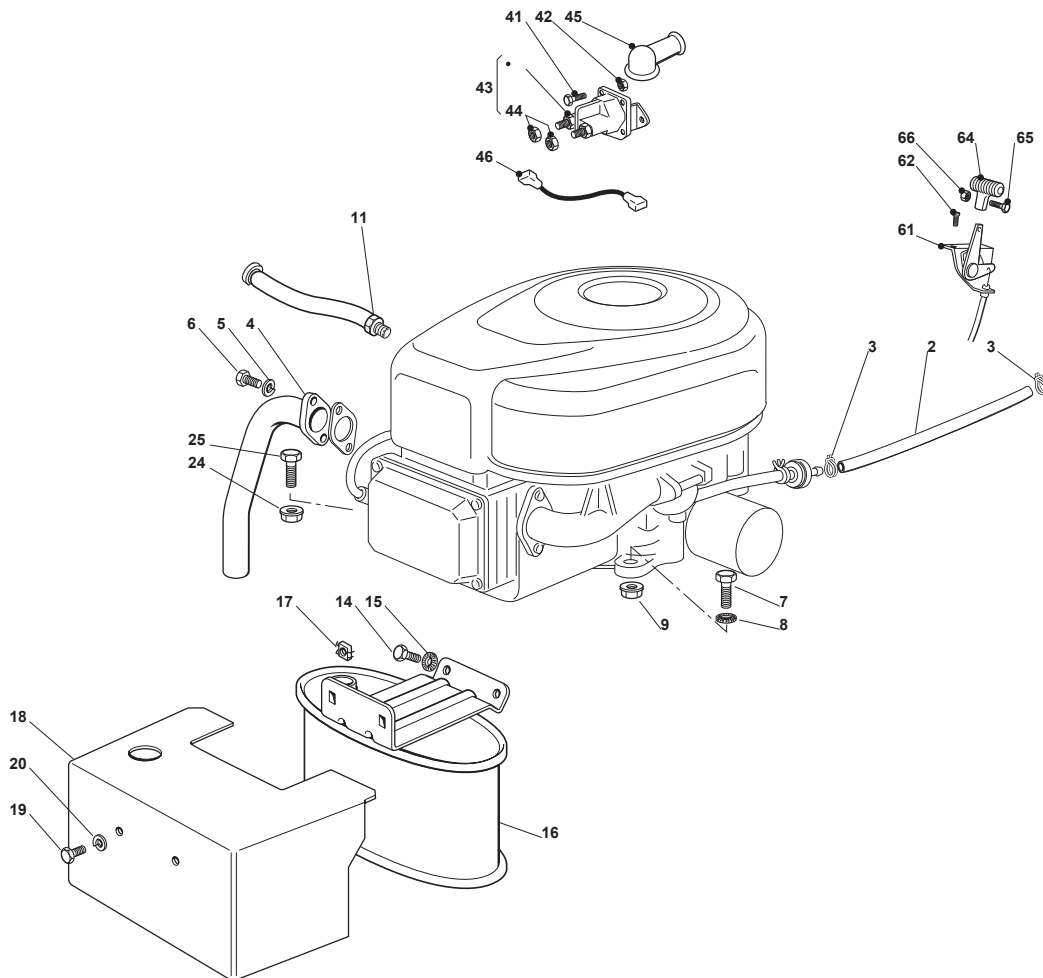


Fig.	Q.ty	Part No	Description	Notes
1	1	382500029/1	Pedal	
2	1	325110416/0	Clamp Cover	
3	2	327546015/2	Plate	
4	4	112729601/1	Screw	
5	1	382000542/1	Rod	
6	1	112521350/0	Washer	
7	1	112155000/0	Nut	
8	1	112521350/0	Washer	
9	1	112155000/0	Nut	
10	1	325785261/0	Support	
11	2	112815200/0	Screw	
12	2	112292102/0	Nut	
13	1	382318289/0	Brake Lever	
14	1	122524970/3	Pin	
15	1	112155000/0	Nut	
16	1	125430213/0	Spring	
20	1	325060034/1	Cam	
21	2	112735404/0	Screw	
22	1	325547375/0	Plate	
23	2	112793102/0	Screw	
24	2	112293201/0	Nut	
25	1	119410614/0	Microswitch	
31	1	382000605/0	Gear Control Axle	
32	1	325110417/0	Clamp Cover Front	
33	1	325110418/0	Clamp Cover Rear	
34	2	325785185/0	Support	
35	2	327546015/2	Plate	
36	4	112815245/0	Screw	
37	4	112154510/0	Nut	
38	1	382000543/0	Rod	
39	2	112523040/0	Washer	
40	2	112154510/0	Nut	
41	1	382394853/0LC	Switch Ass.Y	
42	1	119410609/1LC	Micro Switch	
43	2	112735602/0	Screw	
44	2	112581100/0	Grower	
45	2	112290791/0	Nut	
46	2	112735110/0	Screw	
47	1	382318289/0	Brake Lever	
48	1	125430213/0	Spring	
49	1	325253007/1	Brake Hook	
50	1	125033119/0	Rod	
51	1	122041980/0	Bushing	
52	1	119410613/0	Microswitch	
53	1	325785261/0	Support	
54	1	112155010/0	Nut	
55	4	112292102/0	Nut	
61	1	325207171/0	Cover (Hydro)	
62	2	112735402/0	Screw	
63	4	112523050/0	Washer	



# AT7 92 HCB



Ride-on 90-92 cm Engine - B&S

Issue 45 - 2016

Fig.	Q.ty	Part No	Description	Notes
2	1	325869057/0	Connecting Tube	
3	2	118375051/1	Fair Led	
4	1	118738206/0	Exhaust Discharge Tube	
5	2	112583500/0	Grower	
6	2	112735530/0	Screw	
7	1	112691115/0	Screw	
8	1	112540260/0	Grower	
9	1	112154210/0	Nut	
11	1	1134-5827-01	Oil Drain Assy	
14	2	112793102/0	Screw	
15	2	112540260/0	Grower	
16	1	182750010/0	Muffler	
17	2	112360425/0	Nut	
18	1	382598009/2	Muffler Protection	
19	2	112792611/0	Screw	
20	2	112583500/0	Grower	
24	3	112154210/0	Nut	
25	3	112691100/0	Screw	
41	2	112791213/1	Screw	
42	2	112292102/0	Nut	
43	1	118736113/0	Starter Relay	
44	2	112360352/0	Nut	
45	1	118564861/1	Protection	
46	1	125065017/0	Cable	
61	1	182000200/1	Throttle Cable	
62	2	125943012/0	Screw	
64	1	325592000/0	Knob	
65	1	112726388/0	Screw	
66	1	112290800/0	Nut	

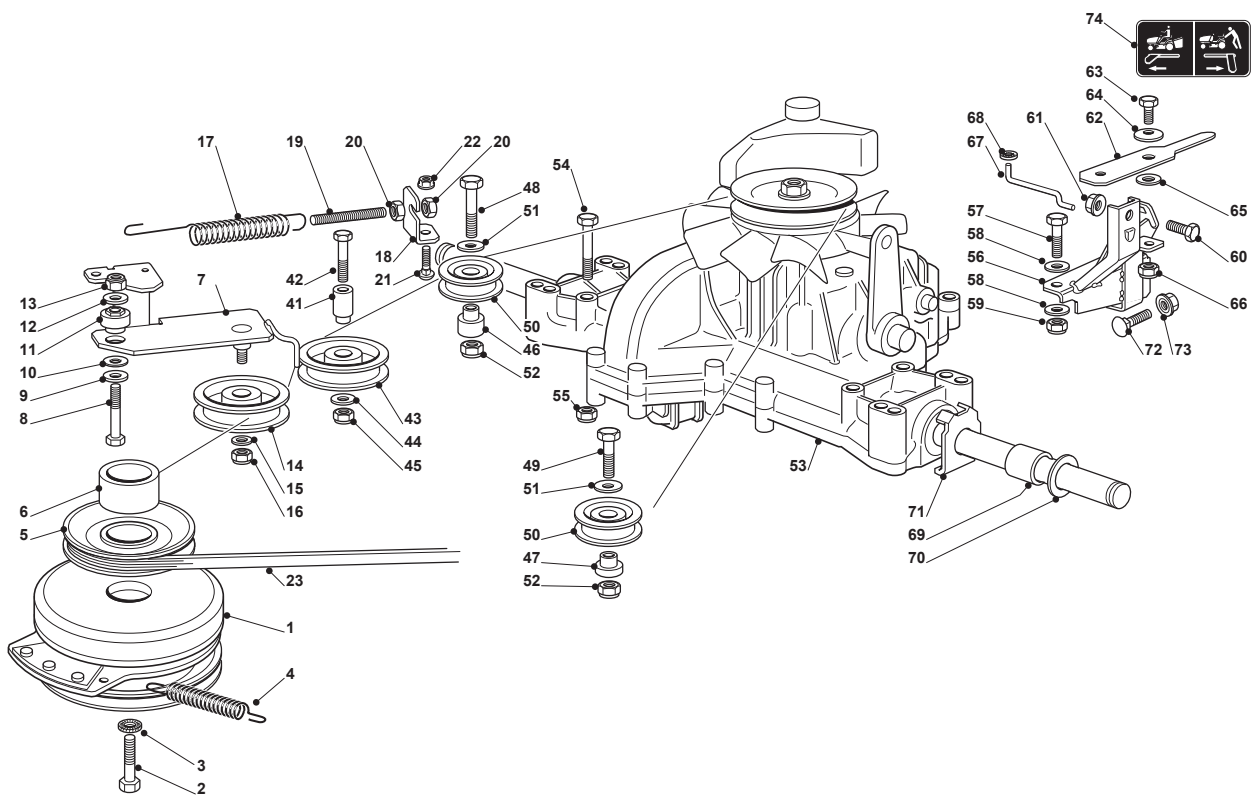
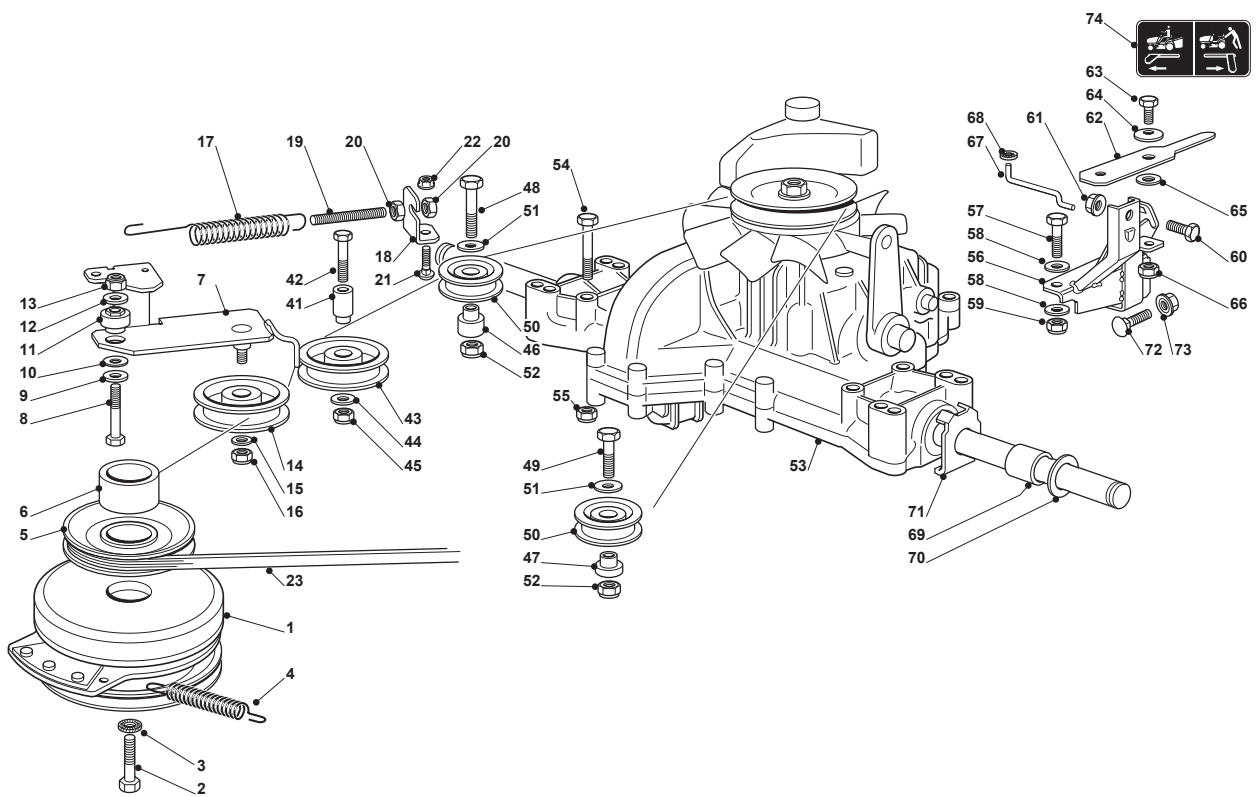


Fig.	Q.ty	Part No	Description	Notes
1	1	118399063/0	Electromagnetic Clutch	
2	1	112737320/0	Screw	
3	1	112543000/0	Washer	
4	1	122430216/0	Tension Spring	
5	1	125601566/1	Pulley	
6	1	125160021/0	Spacer	
7	1	382318217/1	Lever	
8	1	112691115/0	Screw	
9	1	112523060/0	Washer	
10	1	327670055/0	Antifriction Washer	
11	1	125510087/0	Pin	
12	1	112523060/0	Washer	
13	5	112155000/0	Nut	
14	1	125601554/0	Pulley	
15	1	112523060/0	Washer	
16	1	112155000/0	Nut	
17	1	125430260/1	Spring	
18	1	325755049/0	Bracket	
19	1	125840005/0	Tie Rod	
20	2	112293200/0	Nut	
21	1	112818690/0	Screw	
22	1	112293201/0	Nut	
23	1	135062020/1	Trapezoidal Belt	
41	1	125160080/0	Pin	
42	1	112691800/0	Screw	
43	1	325601599/0	Pulley	
44	1	112523060/0	Washer	
45	1	112155000/0	Nut	
46	1	125160024/2	Right Spacer	
47	1	125160030/2	Left Spacer	
48	1	112691400/0	Screw	
49	1	112691115/0	Screw	
50	2	125601588/0	Pulley	
51	2	122671653/0	Washer	
52	2	112155000/0	Nut	
53	1	118400960/0	Rear Axle Tuff Torq K46S	
54	4	112691800/0	Screw	
55	4	112154210/0	Nut	
56	1	382785149/0	Support	
57	1	112691200/0	Screw	
58	2	112521350/0	Washer	
59	1	112155000/0	Nut	
60	1	112792611/0	Screw	
61	1	112293201/0	Nut	
62	1	325318157/0	Lever	
63	1	112293201/0	Nut	
64	1	112155000/0	Nut	
65	1	325670011/0	Antifriction Washer	
66	1	112155000/0	Nut	
67	1	125033033/1	Rod	
68	1	112604896/0	Crown Fastener	





# AT7 92 HCB



Ride-on 90-92 cm Transmission

Issue 45 - 2016

Fig.	Q.ty	Part No	Description	Notes
69	2	125160031/0	Spacer	
70	4	112521410/0	Washer	
71	2	325670025/0	Washer	
72	1	112792611/0	Screw	
73	1	112293201/0	Nut	
74	1	114361451/0	Label	

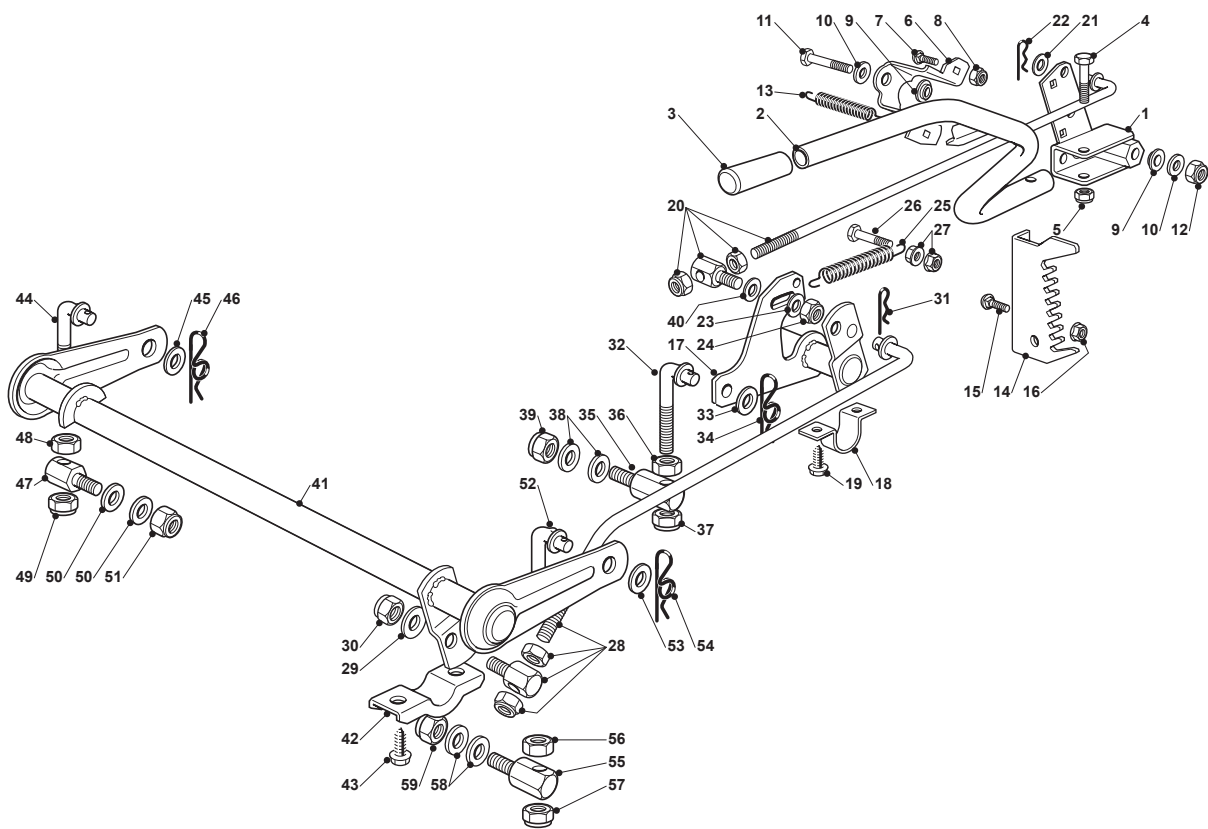
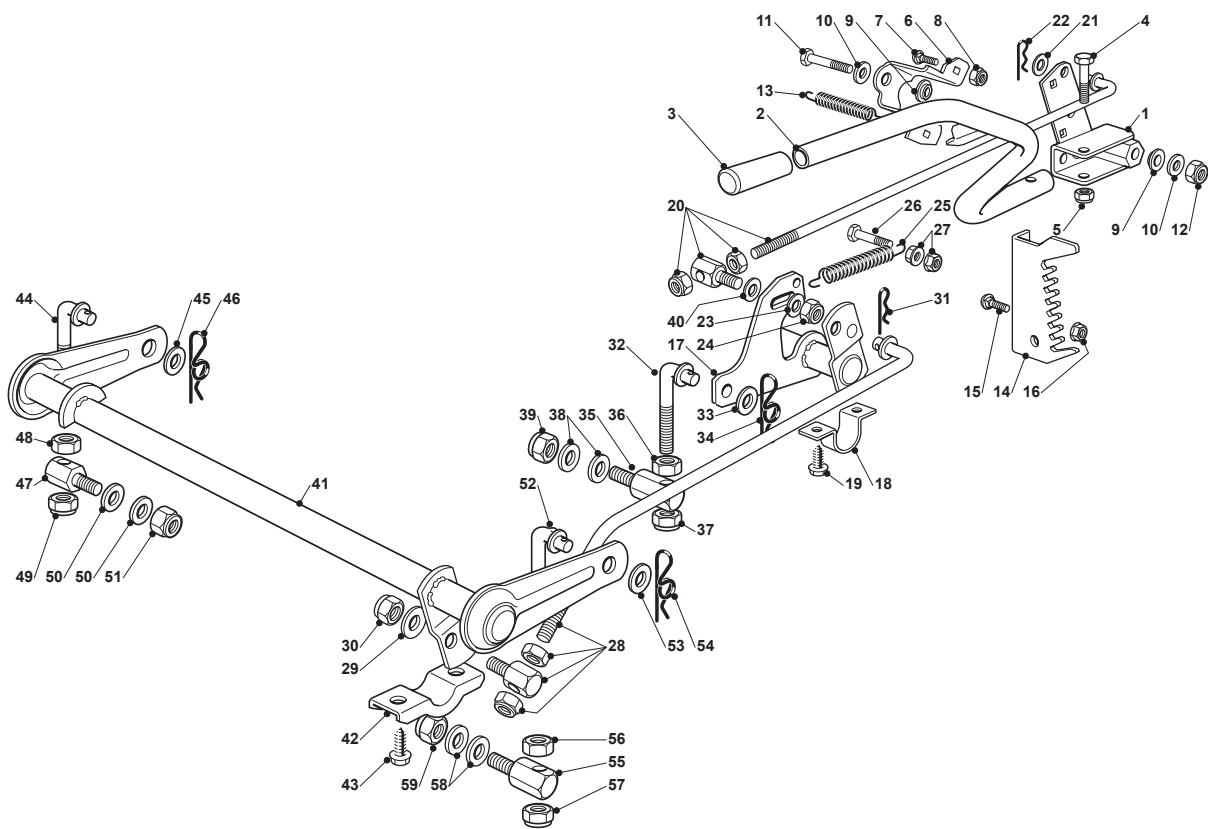


Fig.	Q.ty	Part No	Description	Notes
1	1	382774249/0	Clamp	
2	1	382318219/1	Lever	
3	1	125394508/0	Knob	
4	1	112674700/0	Screw	
5	1	112154510/0	Nut	
6	1	325650113/0	Plate	
7	2	112818690/0	Screw	
8	2	112155000/0	Nut	
9	2	122041980/0	Bushing	
10	2	112523060/0	Washer	
11	1	112691600/0	Screw	
12	1	112155000/0	Nut	
13	1	125430259/0	Spring	
14	1	325735511/0	Sector	
15	2	112818690/0	Screw	
16	2	112293201/0	Nut	
17	1	382000387/0	Axle	
18	2	325547041/1	Plate	
19	4	112731580/0	Screw	
20	1	382000618/0	Rod	
21	1	325670011/0	Antifriction Washer	
22	1	124487997/0	Cotter Pin	
23	1	112523040/0	Washer	
24	1	112154210/0	Nut	
25	1	122446402/0	Spring	
26	1	112792410/0	Screw	
27	2	112292102/0	Nut	
28	1	382000537/0	Connecting Rod	
29	2	325670008/1	Washer	
30	1	112156602/0	Nut	
31	1	124487998/0	Cotter Pin	
32	1	125840025/0	Tie Rod	
33	1	325670008/1	Washer	
34	1	124487998/0	Cotter Pin	
35	1	125510090/0	Pin	
36	1	112295200/0	Nut	
37	1	112156602/0	Nut	
38	2	325670008/1	Washer	
39	1	112156602/0	Nut	
40	2	112521360/0	Washer	
41	1	382000385/0	Axle	
42	2	327546015/2	Plate	
43	4	112731350/0	Screw	
44	1	125840024/0	Tie Rod	
45	1	325670008/1	Washer	
46	1	124487998/0	Cotter Pin	
47	1	382640807/1	Tie Rod Assy	
48	1	112295200/0	Nut	
49	1	112156602/0	Nut	
50	2	325670008/1	Washer	
51	1	112156602/0	Nut	



# AT7 92 HCB



Ride-on 90-92 cm Cutting Plate Lifting

Issue 45 - 2016

Fig.	Q.ty	Part No	Description	Notes
52	1	125840025/0	Tie Rod	
53	1	325670008/1	Washer	
54	1	124487998/0	Cotter Pin	
55	1	125510090/0	Pin	
56	1	112295200/0	Nut	
57	1	112156602/0	Nut	
58	2	325670008/1	Washer	
59	1	112156602/0	Nut	

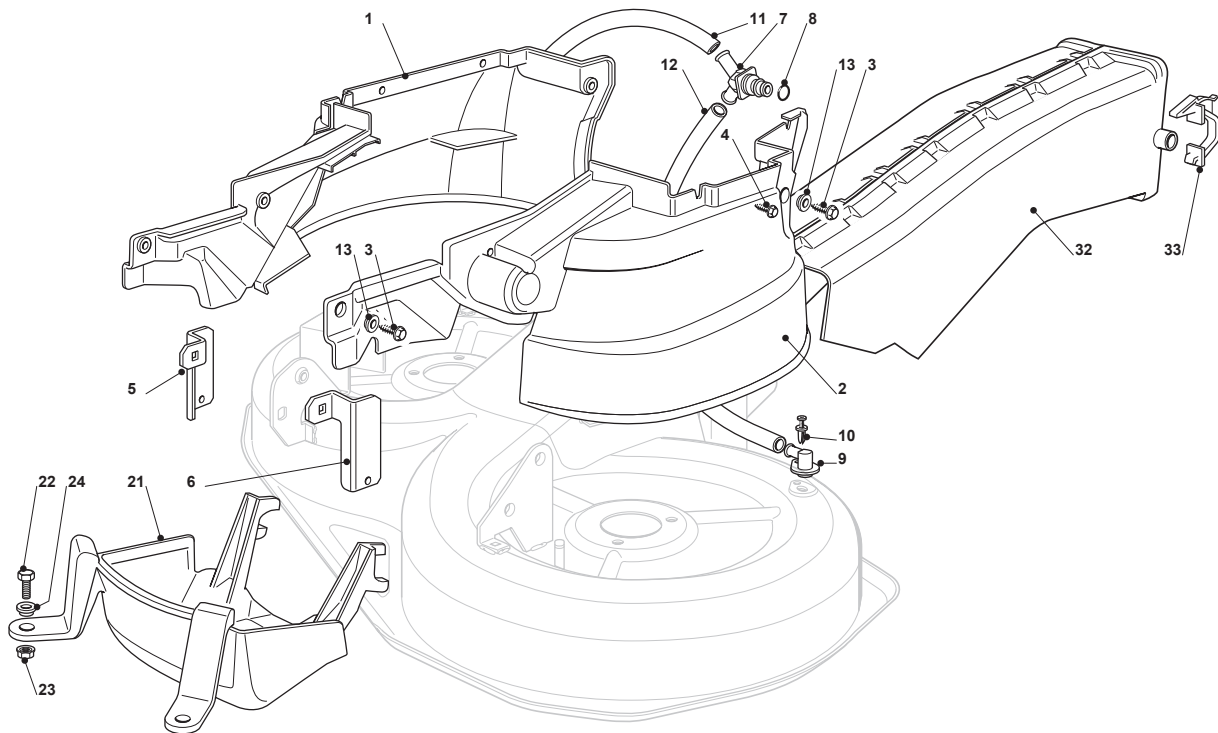
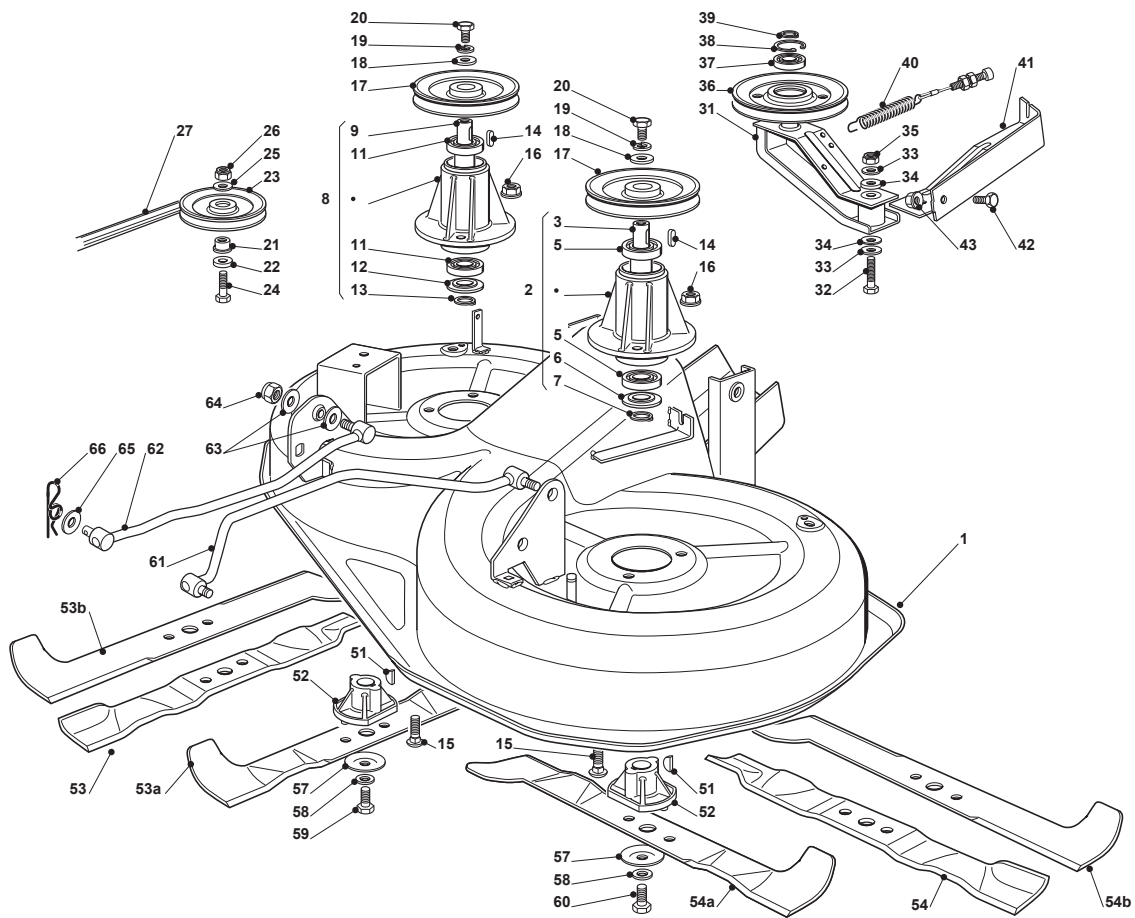


Fig.	Q.ty	Part No	Description	Notes
1	1	325060121/1	Right Belt Protection Carter	
2	1	325060122/0	Left Belt Protection Carter	
3	6	112735120/0	Screw	
4	4	112728535/0	Screw	
5	1	325774381/0	Bracket	
6	1	325774383/0	Bracket	
7	1	325033066/0	Water Hose Connection	
8	1	112000970/0	Ring (Benzing)	
9	2	325033065/0	Water Hose Connection	
10	2	112500030/0	Rivet	
11	1	325869069/0	Washing Tube	
12	1	325869068/0	Washing Tube	
13	6	325160039/0	Spacer	
21	1	325060127/0	Belt Protection	
22	2	112791400/0	Screw	
23	2	112154510/0	Nut	
24	2	325160039/0	Spacer	
32	1	382108008/0	Conveyor	
33	2	325774373/0	Clamp	





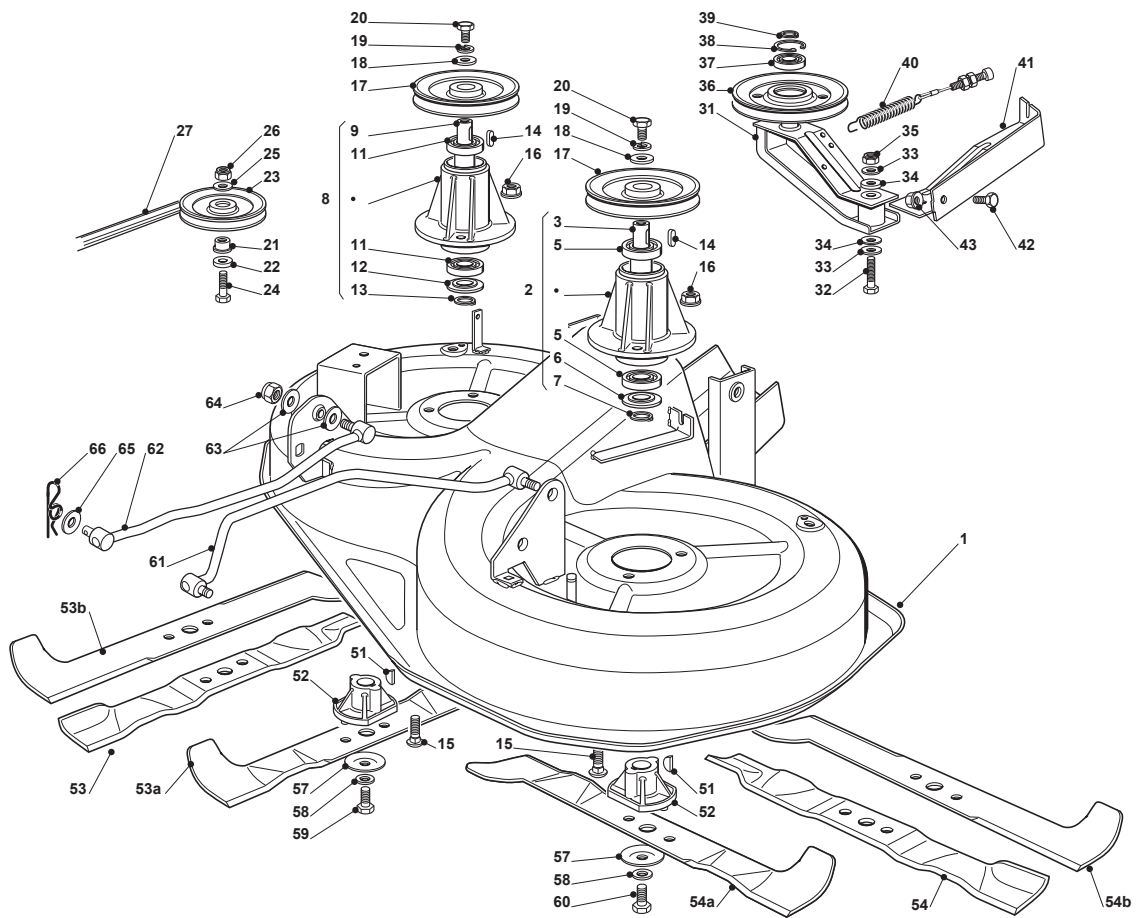
# AT7 92 HCB



Ride-on 90-92 cm Cutting Plate

Issue 45 - 2016

Fig.	Q.ty	Part No	Description	Notes
1	1	382564075/0	Cutting Plate Black	
2	1	382207202/0	Left Flange Ass.Y	
3	1	125020802/0	Shaft	
5	2	119216047/0	Bearing	
6	1	325160501/0	Dust Cover Disc	
7	1	112609260/0	Seeger	
8	1	382207203/0	Right Flange Assy	
9	1	125020803/0	Secondary Blade Shaft	
11	2	119216047/0	Bearing	
12	1	325160501/0	Dust Cover Disc	
13	1	112609260/0	Seeger	
14	2	112139480/0	Feather	
15	6	9959-0825-16	Screw	
16	6	112154210/0	Nut	
17	2	125601563/0	Pulley	
18	2	125670007/0	Washer	
19	2	112583500/0	Grower	
20	2	112793102/0	Screw	
21	1	125160079/0	Spacer	
22	1	125670007/0	Washer	
23	1	325601599/0	Pulley	
24	1	112691115/0	Screw	
25	1	112523060/0	Washer	
26	1	112155000/0	Nut	
27	1	135061508/0	Belt	
31	1	382318141/2	Lever	
32	1	112691700/0	Screw	
33	2	112523070/0	Washer	
34	2	322672152/0	Antifriction Washer	
35	1	112155000/0	Nut	
36	1	125601564/1	Pulley	
37	1	119216048/0	Bearing	
38	1	112610800/0	Seeger	
39	1	112609200/0	Seeger	
40	1	382004618/0	Wire	
41	1	382774215/3	Clamp	
42	1	112792611/0	Screw	
43	1	112293201/0	Nut	
51	2	112139100/0	Key	
52	2	125463200/0	Blade Hub	
53	1	182004345/1	Right Blade, Winged	
53	1	182004352/0	Right Blade, Mulching	
53	1	182004354/0	Right Mulching Blade, Winged	
54	1	181004346/3	Left Blade, Mulching	
54	1	182004344/1	Left Blade, Winged	
54	1	182004353/0	Left Mulching Blade, Winged	
57	2	122160400/0	Elastic Disc	
58	2	112523080/0	Washer	
59	1	112735695/1	Screw	
60	1	112735694/0	Screw	
61	1	382000535/OLC		



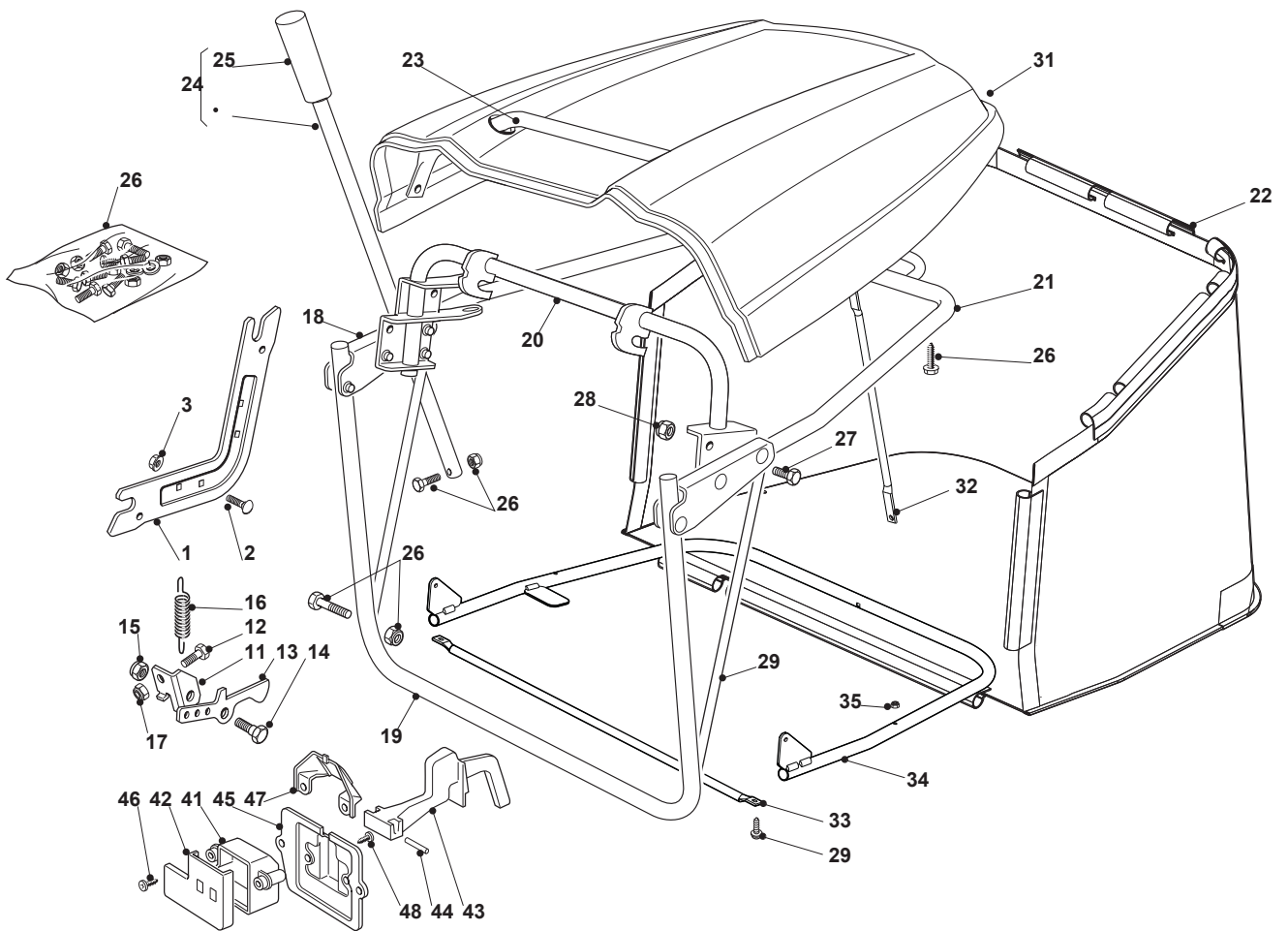
# AT7 92 HCB



Ride-on 90-92 cm Cutting Plate

Issue 45 - 2016

Fig.	Q.ty	Part No	Description	Notes
62	1	382000533/0	Equalizer Rod	
63	4	325670008/1	Washer	
64	2	112156602/0	Nut	
65	2	325670008/1	Washer	
66	2	124487998/0	Cotter Pin	



# AT7 92 HCB



Ride-on 90-92 cm Grass-Catcher

Issue 45 - 2016

Fig.	Q.ty	Part No	Description	Notes
1	2	325785275/0	Support	
2	4	112818690/0	Screw	
3	4	112293201/0	Nut	
11	1	325755031/2	Bracket	
12	1	112789000/0	Screw	
13	1	325774315/1	Bracket	
14	1	125510080/2	Pin	
15	1	112292102/0	Nut	
16	1	122450432/0	Spring	
17	1	112154330/0	Nut	
18	2	382774251/0	Bracket	
19	1	382800099/0	Grasscatcher Frame	
20	1	382800103/0	Grasscatcher Hooking Frame	
21	1	382800101/1	Front Frame	
22	1	182105921/0	Grasscatcher	
23	1	382394003/0	Front Handle	
24	1	382869023/0	Rod	
25	1	125394508/0	Knob	
26	1	382180138/0	Screw Outfit	
27	4	112815240/0	Screw	
28	8	112154510/0	Nut	
29	2	325650115/0	Stiffening	
31	1	325110421/0	White Grass-Catcher Cover	White
32	1	325033049/1	Reinforcement Rod	
33	1	382650043/0	Lower Stiffening	
34	1	382800173/0	Frame	
35	4	112815220/0	Screw	
36	9	112154510/0	Nut	
41	1	125600041/0	Micro Protection Cover	
42	1	125600042/0	Micro Protection Cover	
43	1	125318124/0	Full Grassc. Microswtich Cover	
44	1	112400030/0	Pin	
45	1	325785272/0	Micro Protection	
46	1	112728510/0	Screw	
47	1	125600048/0	Micro Protection Cover	
48	2	112735110/0	Screw	

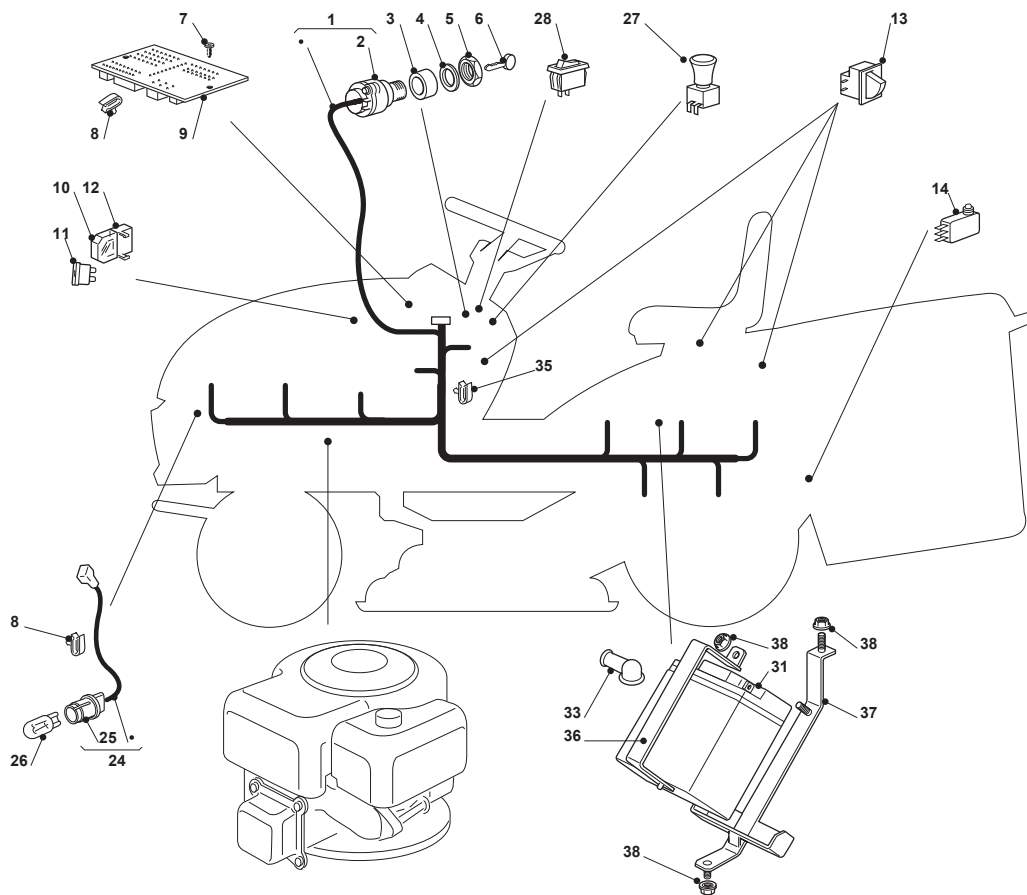
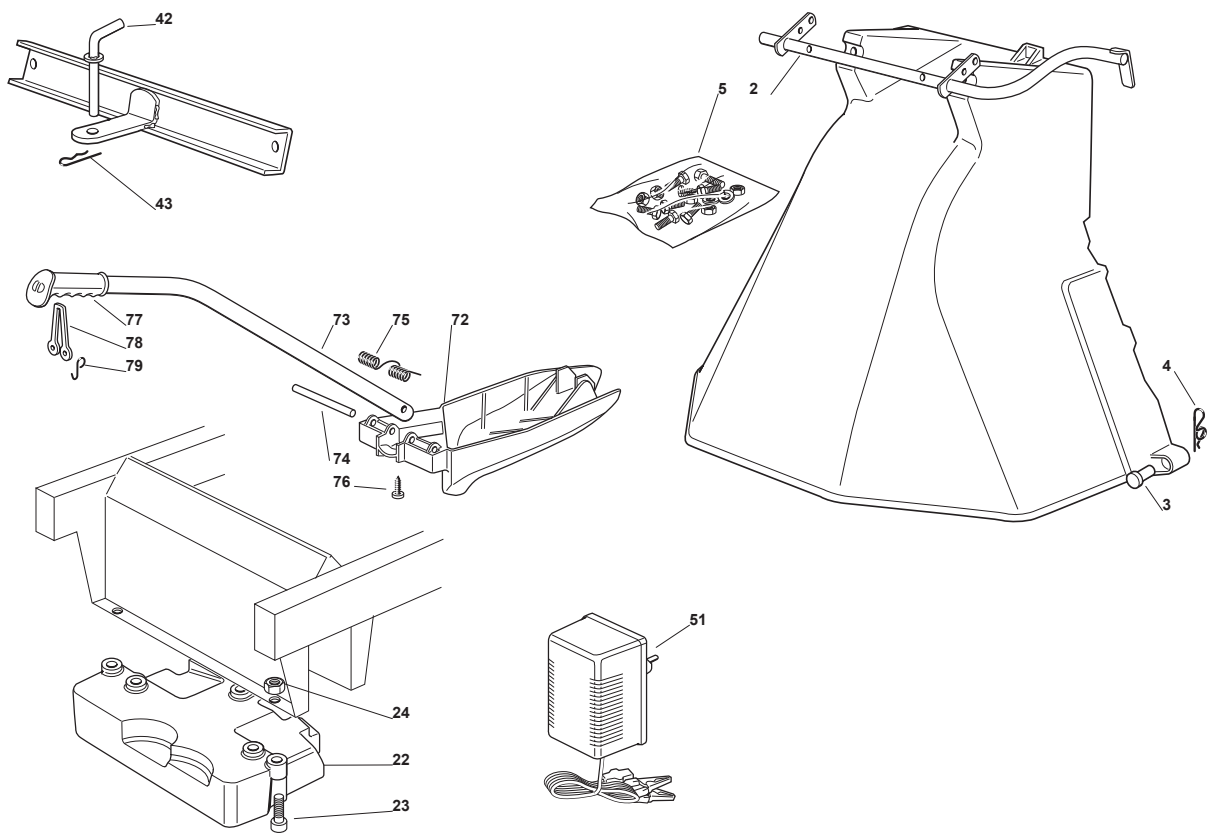


Fig.	Q.ty	Part No	Description	Notes
1	1	182040201/0	Cables Ass.Y	
2	1	118450072/0	Starting Switch	
3	1	118550136/0	Spacer	
4	1	118550135/0	Washer	
5	1	118400862/0	Ring Nut	
6	1	118210022/0	Starting Key	
7	3	112727810/0	Screw	
8	2	133320506/0	Fairlead	
9	1	382722435/0	Electronic Card (1 Led)	
10	2	133215000/0	Cover	
11	1	133340036/0	Fuse 25 A	
11	1	133340040/0	Fuse 10 A	
12	2	133500007/0	Fuse Carrier	
13	3	119410613/0	Microswitch	
14	1	119410605/1	Microswitch	
24	1	182040073/0	Headlight Cable	
25	2	133500030/0	Lamp Holder	
26	2	118459100/0	Lamp For Lights	
27	1	118450068/0	Switch	
28	1	118450060/1	Headlight Interrupt. Cre1116-0	
31	1	118120002/1	Battery	
33	1	118450060/1LC	Headlight Interrupt.	
35	9	133320506/0	Fairlead	
36	1	327772099/1	Clamp	
37	1	382785191/0	Battery Support	
38	3	112155000/0	Nut	





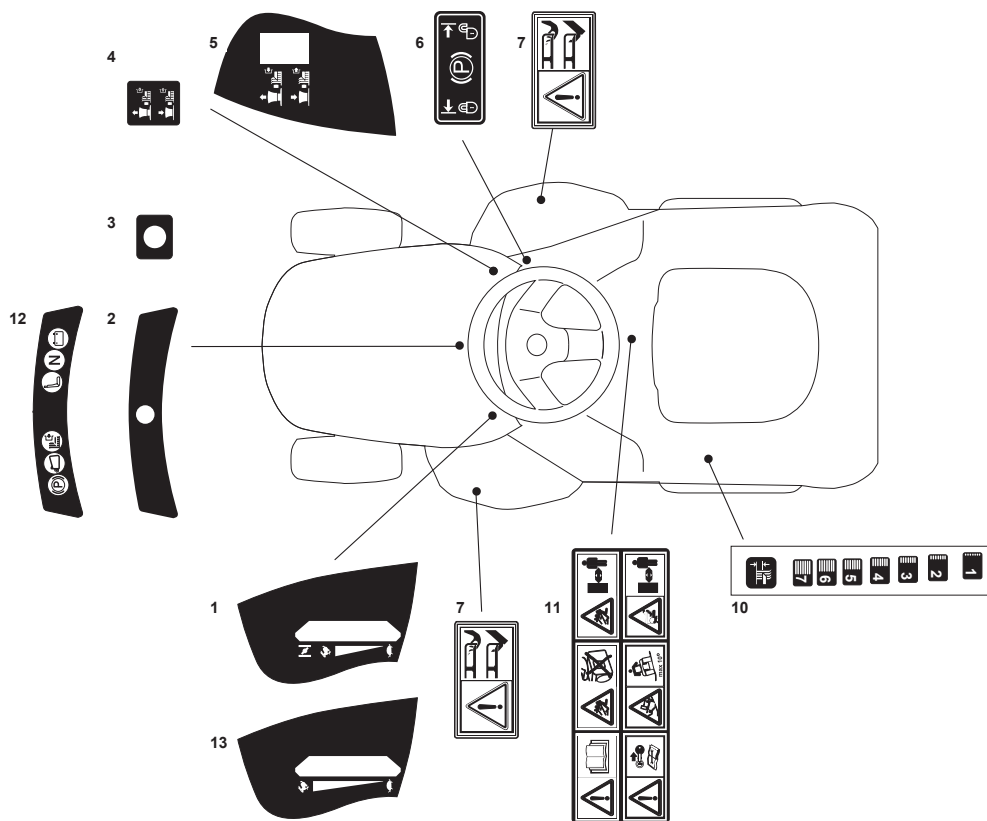
# AT7 92 HCB



Ride-on 90-92 cm    Optionals On Request

Issue 45 - 2016

Fig.	Q.ty	Part No	Description	Notes
2	1	382869035/0	Stone Guard Tube	
3	2	125510022/1	Pin	
4	2	124487998/0	Cotter Pin	
5	1	382180062/0	Outfit, Screws	
22	1	125519997/1	Front Weight Tc	
23	3	112760520/0	Screw	
24	3	112155000/0	Nut	
42	1	125510021/1	Hitch Pin	
43	1	124487999/0	Spring Pin	
51	1	182180090/0	Battery Charger 12V 1A - CE Plugg	
72	1	325140093/0	Deflector	
73	1	325394007/0	Handle	
74	1	125510077/0	Pin	
75	1	125430245/0	Spring	
76	1	112735410/0	Screw	
77	1	325280000/1	Handgrip	
78	1	125840011/1	Tie Rod	
79	2	125253004/0	Mulch.Kit Fixing Hook	



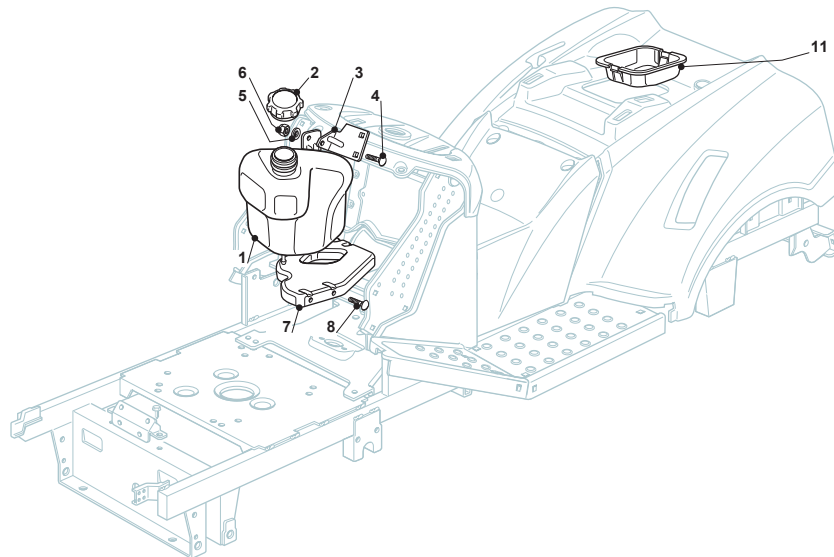
# AT7 92 HCB



Ride-on 90-92 cm Labels

Issue 45 - 2016

Fig.	Q.ty	Part No	Description	Notes
1	1	114361440/0	Label	
2	1	125420024/0	Label	
3	1	125420018/0	Label	
4	1	114361438/0	Label	
5	1	114361439/0	Label	
6	1	114361452/0	Label	
7	2	114356699/1	Label	
10	1	114361441/0	Label	
11	1	114361553/1	Label	
12	1	125420020/0	Label	
13	1	114364616/0	Label	



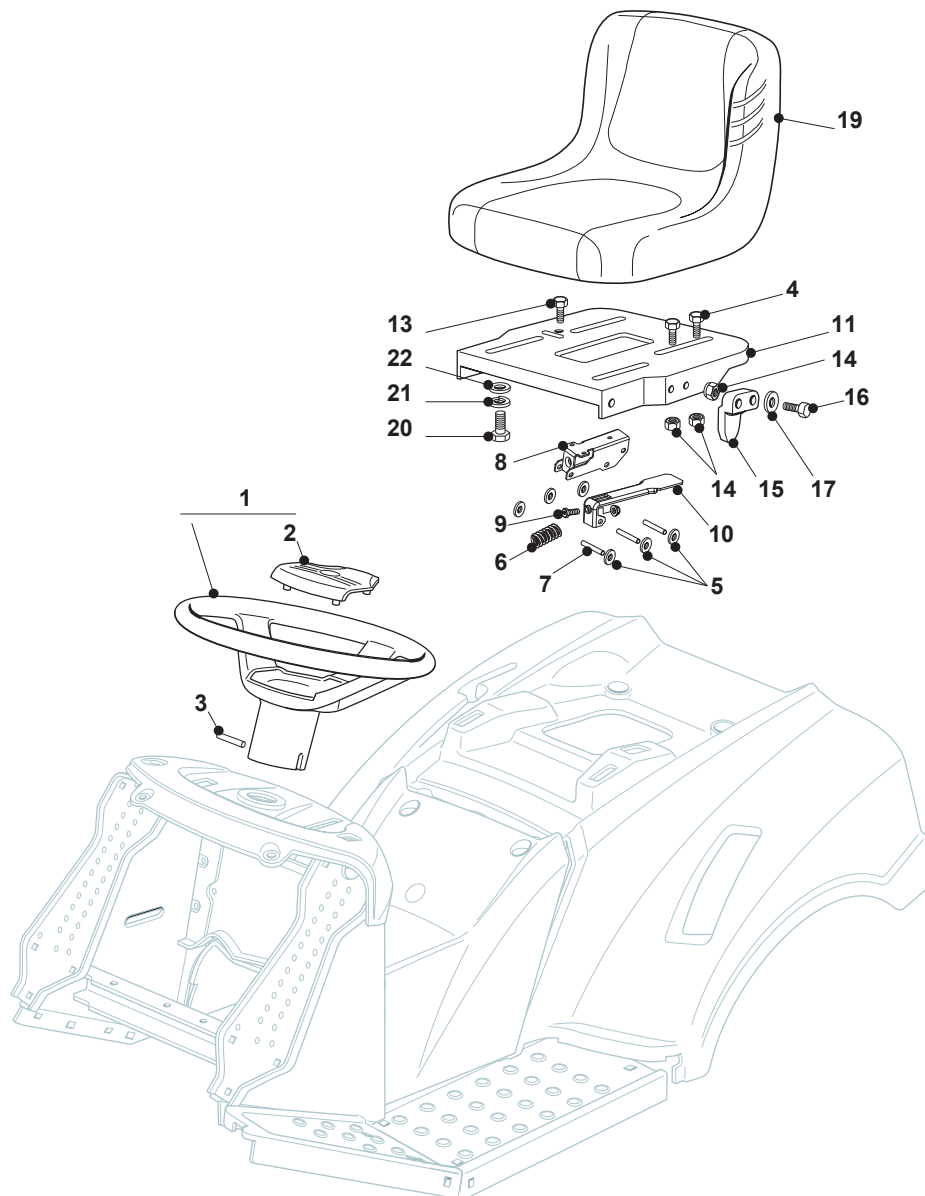
# AT7 92 HCB



Ride-on 90-92 cm Tank

Issue 45 - 2016

Fig.	Q.ty	Part No	Description	Notes
1	1	325735124/0	Fuel Tank	
2	1	125795001/1	Cap	
3	1	325785291/0	Support	
4	1	112789195/0	Screw	
5	1	112581500/0	Grower	
6	1	112437503/0	Plate	
7	1	325785289/0	Support	
8	4	112735403/0	Screw	
11	1	325207176/0	Basin	



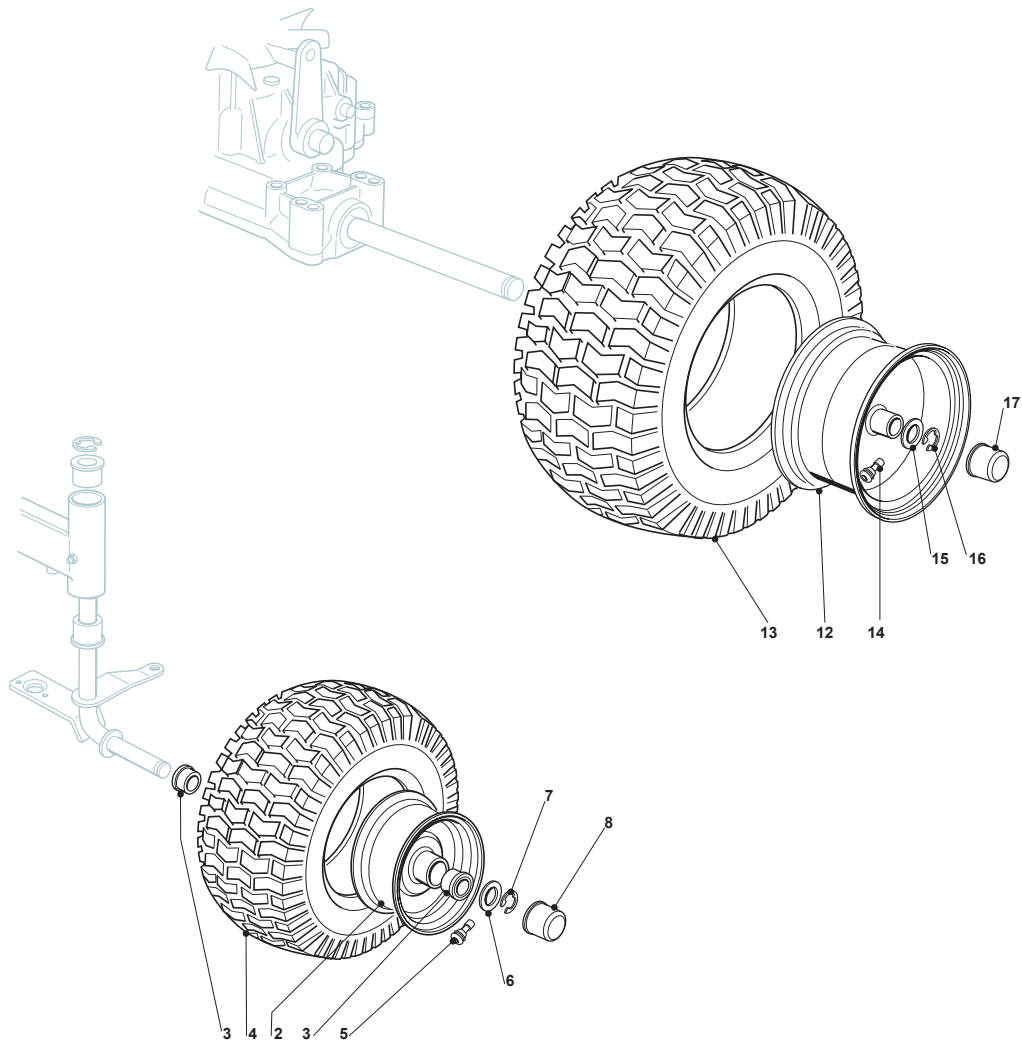
# AT7 92 HCB



Ride-on 90-92 cm Seat & Steering Wheel

Issue 45 - 2016

Fig.	Q.ty	Part No	Description	Notes
1	1	125961217/1	Coated Steering Wheel Black Tc	
2	1	325120230/0	Cover	
3	1	112620250/0	Pin	
4	2	112789000/0	Screw	
5	6	112604896/0	Crown Fastener	
6	1	125430285/0	Spring	
7	3	122517866/0	Pin	
8	1	325774575/0	Fulcrum Clamp	
9	1	112735661/0	Screw	
10	1	325318327/0	Lever	
11	1	325547033/2	Seat Plate	
13	1	112789000/0	Screw	
15	1	327063021/1	Cam	
16	2	112789100/0	Screw	
17	2	112523020/0	Washer	
18	2	112154330/0	Nut	
19	1	125722463/0	Seat	
20	4	112793101/0	Screw	
21	4	112583500/0	Grower	
22	4	112523060/0	Washer	





# AT7 92 HCB



Ride-on 90-92 cm Wheels

Issue 45 - 2016

Fig.	Q.ty	Part No	Description	Notes
2	2	182000598/0	Rimm	
3	4	125122200/2	Bearing	
4	2	125590019/0	Tyre	15X6.00-6 PR2 TL P512
4	2	125590020/0	Tyre	15X6.00-6 PR2 TL P519
5	2	125950000/0	Valve	
6	2	125670005/2	Washer	
7	2	112001000/0	Benzing Ring	
8	2	122110230/0	Hub Cover	
12	2	182000599/0	Rimm	
13	2	125590021/0	Tyre	18X8.50-8 PR2 TL P512 WANDA
13	2	125590015/0	Tyre	18X8.50-8 WANDA
14	2	125950000/0	Valve	
15	2	125670005/2	Washer	
16	2	112001010/0	Benzing Ring	
17	2	122110230/0	Hub Cover	

code	pos.	q.ty	page										
1134-5827-01	11	1	p. 13	112292102/0	55	4	p. 11	112581500/0	5	1	p. 37		
9959-0825-16	15	6	p. 25	112292102/0	95	4	p. 5	112583500/0	5	2	p. 13		
12154510/0	40	2	p. 11	112293200/0	20	2	p. 15	112583500/0	11	1	p. 9		
112000970/0	8	1	p. 23	112293201/0	3	4	p. 29	112583500/0	19	2	p. 25		
112001000/0	7	2	p. 41	112293201/0	7	4	p. 3	112583500/0	20	2	p. 13		
112001000/0	51	2	p. 9	112293201/0	16	2	p. 19	112583500/0	21	4	p. 39		
112001010/0	16	2	p. 41	112293201/0	18	2	p. 7	112587100/0	47	1	p. 9		
112139100/0	51	2	p. 25	112293201/0	22	1	p. 15	112604896/0	5	6	p. 39		
112139480/0	14	2	p. 25	112293201/0	22	2	p. 3	112604896/0	68	1	p. 15		
112154210/0	9	1	p. 13	112293201/0	24	2	p. 11	112609200/0	39	1	p. 25		
112154210/0	16	6	p. 25	112293201/0	36	8	p. 3	112609260/0	7	1	p. 25		
112154210/0	24	1	p. 19	112293201/0	39	4	p. 3	112609260/0	13	1	p. 25		
112154210/0	24	3	p. 13	112293201/0	43	1	p. 25	112610800/0	38	1	p. 25		
112154210/0	55	4	p. 15	112293201/0	54	6	p. 3	112620250/0	3	1	p. 39		
112154330/0	17	1	p. 29	112293201/0	57	2	p. 3	112622650/0	4	1	p. 9		
112154330/0	18	2	p. 39	112293201/0	59	2	p. 3	112674700/0	4	1	p. 19		
112154330/0	45	2	p. 3	112293201/0	61	1	p. 15	112691100/0	25	3	p. 13		
112154510/0	5	1	p. 19	112293201/0	63	1	p. 15	112691115/0	7	1	p. 13		
112154510/0	23	2	p. 23	112293201/0	73	1	p. 17	112691115/0	8	1	p. 15		
112154510/0	28	2	p. 9	112293201/0	84	4	p. 3	112691115/0	24	1	p. 25		
112154510/0	28	8	p. 29	112295200/0	36	1	p. 19	112691115/0	49	1	p. 15		
112154510/0	35	4	p. 7	112295200/0	48	1	p. 19	112691200/0	57	1	p. 15		
112154510/0	36	9	p. 29	112295200/0	56	1	p. 21	112691400/0	48	1	p. 15		
112154510/0	37	4	p. 11	112295200/0	60	2	p. 9	112691600/0	11	1	p. 19		
112154510/0	56	2	p. 9	112295300/0	48	1	p. 9	112691700/0	32	1	p. 25		
112155000/0	7	1	p. 11	112360352/0	44	2	p. 13	112691800/0	10	1	p. 9		
112155000/0	8	2	p. 19	112360425/0	17	2	p. 13	112691800/0	42	1	p. 15		
112155000/0	9	1	p. 11	112360425/0	50	2	p. 3	112691800/0	54	4	p. 15		
112155000/0	12	1	p. 19	112379511/0	12	1	p. 9	112692695/0	45	1	p. 9		
112155000/0	13	5	p. 15	112379511/0	43	2	p. 9	112726388/0	65	1	p. 13		
112155000/0	15	1	p. 11	112400030/0	44	1	p. 29	112727810/0	7	3	p. 31		
112155000/0	16	1	p. 15	112436030/0	7	1	p. 9	112728440/0	37	2	p. 7		
112155000/0	24	3	p. 33	112437503/0	6	1	p. 37	112728510/0	46	1	p. 29		
112155000/0	26	1	p. 25	112500030/0	10	2	p. 23	112728535/0	4	4	p. 23		
112155000/0	35	1	p. 25	112521330/0	27	2	p. 9	112728686/0	98	4	p. 7		
112155000/0	38	3	p. 31	112521330/0	34	4	p. 7	112729601/1	4	4	p. 11		
112155000/0	45	1	p. 15	112521330/0	55	2	p. 9	112729601/1	9	2	p. 9		
112155000/0	52	2	p. 15	112521350/0	6	1	p. 11	112731350/0	43	4	p. 19		
112155000/0	59	1	p. 15	112521350/0	8	1	p. 11	112731580/0	19	4	p. 19		
112155000/0	64	1	p. 15	112521350/0	58	2	p. 15	112731580/0	25	4	p. 7		
112155000/0	66	1	p. 15	112521360/0	40	2	p. 19	112734995/0	28	4	p. 7		
112155010/0	31	2	p. 9	112521370/0	6	1	p. 9	112735110/0	9	4	p. 3		
112155010/0	41	2	p. 3	112521410/0	70	4	p. 17	112735110/0	11	2	p. 3		
112155010/0	54	1	p. 11	112523020/0	17	2	p. 39	112735110/0	46	2	p. 11		
112155020/0	20	1	p. 9	112523040/0	23	1	p. 19	112735110/0	48	2	p. 29		
112156602/0	30	1	p. 19	112523040/0	39	2	p. 11	112735110/0	61	1	p. 3		
112156602/0	37	1	p. 19	112523050/0	63	4	p. 11	112735110/0	99	2	p. 7		
112156602/0	39	1	p. 19	112523060/0	9	1	p. 15	112735120/0	3	6	p. 23		
112156602/0	49	1	p. 19	112523060/0	10	2	p. 19	112735402/0	38	2	p. 7		
112156602/0	51	1	p. 19	112523060/0	12	1	p. 15	112735402/0	41	2	p. 7		
112156602/0	57	1	p. 21	112523060/0	14	1	p. 9	112735402/0	62	2	p. 11		
112156602/0	59	1	p. 21	112523060/0	15	1	p. 15	112735402/0	95	4	p. 7		
112156602/0	59	2	p. 9	112523060/0	22	4	p. 39	112735402/0	96	2	p. 7		
112156602/0	64	2	p. 27	112523060/0	25	1	p. 25	112735403/0	8	4	p. 37		
112290791/0	45	2	p. 11	112523060/0	44	1	p. 15	112735403/0	16	5	p. 7		
112290800/0	66	1	p. 13	112523070/0	30	2	p. 9	112735404/0	4	7	p. 7		
112292102/0	12	2	p. 11	112523070/0	33	2	p. 25	112735404/0	21	2	p. 11		
112292102/0	13	4	p. 3	112523070/0	47	2	p. 3	112735410/0	76	1	p. 33		
112292102/0	15	1	p. 29	112523080/0	19	1	p. 9	112735530/0	6	2	p. 13		
112292102/0	16	2	p. 3	112523080/0	22	1	p. 9	112735602/0	43	2	p. 11		
112292102/0	19	2	p. 3	112523080/0	58	2	p. 25	112735661/0	9	1	p. 39		
112292102/0	27	2	p. 19	112523100/0	46	2	p. 9	112735694/0	60	1	p. 25		
112292102/0	33	8	p. 3	112540260/0	8	1	p. 13	112735695/1	59	1	p. 25		
112292102/0	42	2	p. 13	112540260/0	15	2	p. 13	112737320/0	2	1	p. 15		
				112543000/0	3	1	p. 15	112760515/0	48	2	p. 3		
				112581100/0	44	2	p. 11	112760520/0	23	3	p. 33		



code	pos.	q.ty	page										
325033065/0	9	2	p. 23	325743000/0	5	1	p. 9	382394853/OLC	41	1	p. 11		
325033066/0	7	1	p. 23	325743000/0	24	1	p. 9	382500029/1	1	1	p. 11		
325038004/0	1	1	p. 9	325743000/0	52	1	p. 9	382510077/0	89	1	p. 5		
325040624/0	13	2	p. 9	325755031/2	11	1	p. 29	382510079/0	88	1	p. 5		
325060034/1	20	1	p. 11	325755039/0	37	2	p. 3	382547041/1	52	1	p. 3		
325060121/1	1	1	p. 23	325755041/0	97	2	p. 7	382564075/0	1	1	p. 25		
325060122/0	2	1	p. 23	325755043/0	42	1	p. 3	382598009/2	18	1	p. 13		
325060127/0	21	1	p. 23	325755049/0	18	1	p. 15	382640807/1	47	1	p. 19		
325108052/0	5	7	p. 7	325774301/2	15	1	p. 7	382650043/0	33	1	p. 29		
325110416/0	2	1	p. 11	325774315/1	13	1	p. 29	382722435/0	9	1	p. 31		
325110417/0	32	1	p. 11	325774373/0	33	2	p. 23	382774215/3	41	1	p. 25		
325110418/0	33	1	p. 11	325774381/0	5	1	p. 23	382774249/0	1	1	p. 19		
325110419/0	94	1	p. 7	325774383/0	6	1	p. 23	382774251/0	18	2	p. 29		
325110420/0	91	1	p. 7	325774575/0	8	1	p. 39	382785149/0	56	1	p. 15		
325110421/0	31	1	p. 29	325785185/0	34	2	p. 11	382785151/2	8	1	p. 3		
325120230/0	2	1	p. 39	325785213/1	8	1	p. 9	382785153/1	17	2	p. 3		
325120245/0	36	1	p. 7	325785213/1	25	1	p. 9	382785191/0	37	1	p. 31		
325122000/2	51	2	p. 3	325785213/1	53	1	p. 9	382800099/0	19	1	p. 29		
325140093/0	72	1	p. 33	325785241/0	14	1	p. 3	382800101/1	21	1	p. 29		
325160039/0	13	6	p. 23	325785243/1	5	1	p. 3	382800103/0	20	1	p. 29		
325160039/0	24	2	p. 23	325785245/0	4	1	p. 3	382800173/0	34	1	p. 29		
325160501/0	6	1	p. 25	325785249/0	31	2	p. 3	382869023/0	24	1	p. 29		
325160501/0	12	1	p. 25	325785255/0	10	1	p. 3	382869035/0	2	1	p. 33		
325207171/0	61	1	p. 11	325785257/1	34	2	p. 3	382869040/0	26	1	p. 7		
325207176/0	11	1	p. 37	325785261/0	10	1	p. 11						
325253007/1	49	1	p. 11	325785261/0	53	1	p. 11						
325256250/0	20	1	p. 7	325785272/0	45	1	p. 29						
325280000/1	77	1	p. 33	325785275/0	1	2	p. 29						
325318157/0	62	1	p. 15	325785289/0	7	1	p. 37						
325318205/0	21	1	p. 9	325785291/0	3	1	p. 37						
325318327/0	10	1	p. 39	325785499/0	21	1	p. 3						
325394007/0	73	1	p. 33	325869057/0	2	1	p. 13						
325410899/0	2	1	p. 7	325869068/0	12	1	p. 23						
325410900/0	3	1	p. 7	325869069/0	11	1	p. 23						
325430253/0	43	1	p. 3	327063021/1	15	1	p. 39						
325547033/2	11	1	p. 39	327546015/2	3	2	p. 11						
325547041/1	18	2	p. 19	327546015/2	35	2	p. 11						
325547109/2	24	2	p. 7	327546015/2	42	2	p. 19						
325547375/0	22	1	p. 11	327670055/0	10	1	p. 15						
325592000/0	64	1	p. 13	327772099/1	36	1	p. 31						
325599014/0	31	1	p. 7	382000385/0	41	1	p. 19						
325599015/0	32	1	p. 7	382000387/0	17	1	p. 19						
325600074/0	40	1	p. 7	382000533/0	62	1	p. 27						
325601599/0	23	1	p. 25	382000535/OLC	61	1	p. 25						
325601599/0	43	1	p. 15	382000537/0	28	1	p. 19						
325605003/0	21	1	p. 7	382000539/1	29	1	p. 9						
325650113/0	6	1	p. 19	382000542/1	5	1	p. 11						
325650115/0	29	2	p. 29	382000543/0	38	1	p. 11						
325650119/0	55	2	p. 3	382000605/0	31	1	p. 11						
325670008/1	29	2	p. 19	382000618/0	20	1	p. 19						
325670008/1	33	1	p. 19	382004618/0	40	1	p. 25						
325670008/1	38	2	p. 19	382034024/1	41	1	p. 9						
325670008/1	45	1	p. 19	382076962/0	1	1	p. 7						
325670008/1	50	2	p. 19	382108008/0	32	1	p. 23						
325670008/1	53	1	p. 21	382180062/0	5	1	p. 33						
325670008/1	58	2	p. 21	382180138/0	26	1	p. 29						
325670008/1	63	4	p. 27	382207202/0	2	1	p. 25						
325670008/1	65	2	p. 27	382207203/0	8	1	p. 25						
325670011/0	21	1	p. 19	382230363/0	49	1	p. 9						
325670011/0	65	1	p. 15	382230365/0	50	1	p. 9						
325670025/0	71	2	p. 17	382318141/2	31	1	p. 25						
325735124/0	1	1	p. 37	382318217/1	7	1	p. 15						
325735511/0	14	1	p. 19	382318219/1	2	1	p. 19						
325735513/0	18	1	p. 9	382318289/0	13	1	p. 11						
				382318289/0	47	1	p. 11						
				382394003/0	23	1	p. 29						