

# Parts Catalogue

for model  
**BG 125-41**

- Use GLOBAL GARDEN PRODUCT Genuine Spare Parts specified in the parts list for repair and/or replacement.
- The contents described in the parts list may change due to improvement.
- The drawings of the spare parts are only indicative and might not represent the part in question exactly.
- The indications "right" - "left" - "front" - "rear" refer to the position of the operator when using the machine.
- When placing orders of parts for repair and/or replacement, make sure that the illustrated parts list is the one applying to the machine's year of manufacture, as shown on the identification plate attached to the machine.

© Copyright 2017 Global Garden Products

All content is subject to copyright by Global Garden Products and may not be reproduced in whole or in part by any means, electronic or otherwise, without prior written approval.

THIS INFORMATION IS NOT INTENDED FOR SALE OR RESALE, AND THIS NOTICE MUST REMAIN ON ALL COPIES.



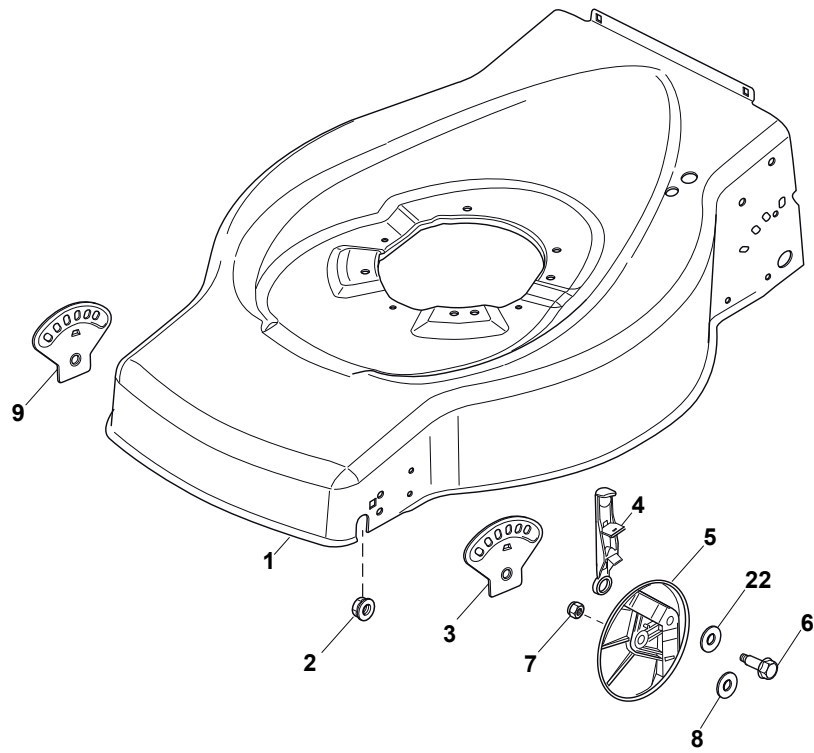


Fig.	Q.ty	Part No	Description	Notes
1	1	381004883/0	Red Deck	
2	2	122131750/0	Nut	
3	1	322735561/0	Sector, Height Adjustment Left	
4	2	381003306/0	Lever, Height Adjustment	
5	2	322600170/0	Protection, Wheel	
6	2	122524324/0	Pin	
7	2	112155000/0	Nut	
8	2	325670011/0	Antifriction Washer	
9	1	322735559/0	Sector, Height Adjustment Right	
22	2	112530150/0	Spring Washer	

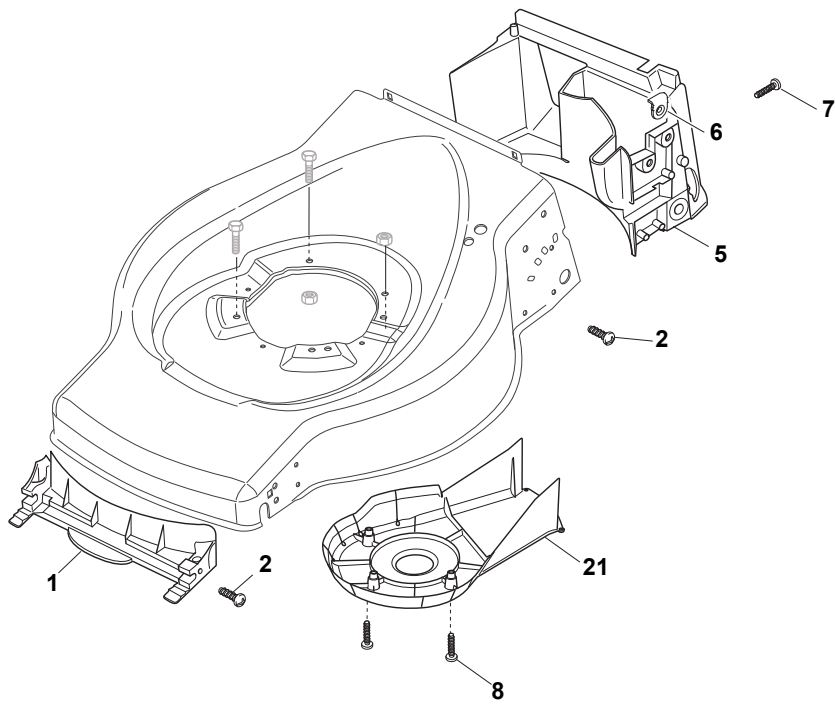


Fig.	Q.ty	Part No	Description	Notes
1	1	322108273/1	Front Conveyor Assy	
2	6	112728686/0	Screw	
5	1	322108391/0	Rear Conveyor Assy	
6	4	322545189/0	Plate	
7	2	112728686/0	Screw	
8	2	112735645/0	Screw	
21	1	322060301/0	Protection, Belt	

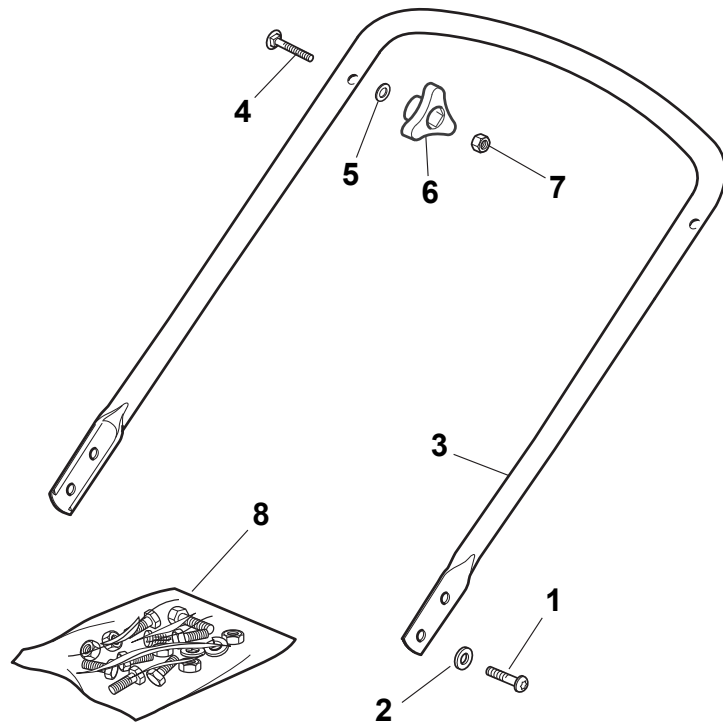


Fig.	Q.ty	Part No	Description	Notes
1	4	112760605/0	Screw	
2	4	112521350/0	Washer	
3	1	381006568/0	Handle Lower Part	
4	1	112819120/0	Screw	
5	2	122671651/0	Washer	
6	2	122399900/0	Knob	
7	2	112293200/0	Nut	
8	1	381008696/0	Outfit, Screws	

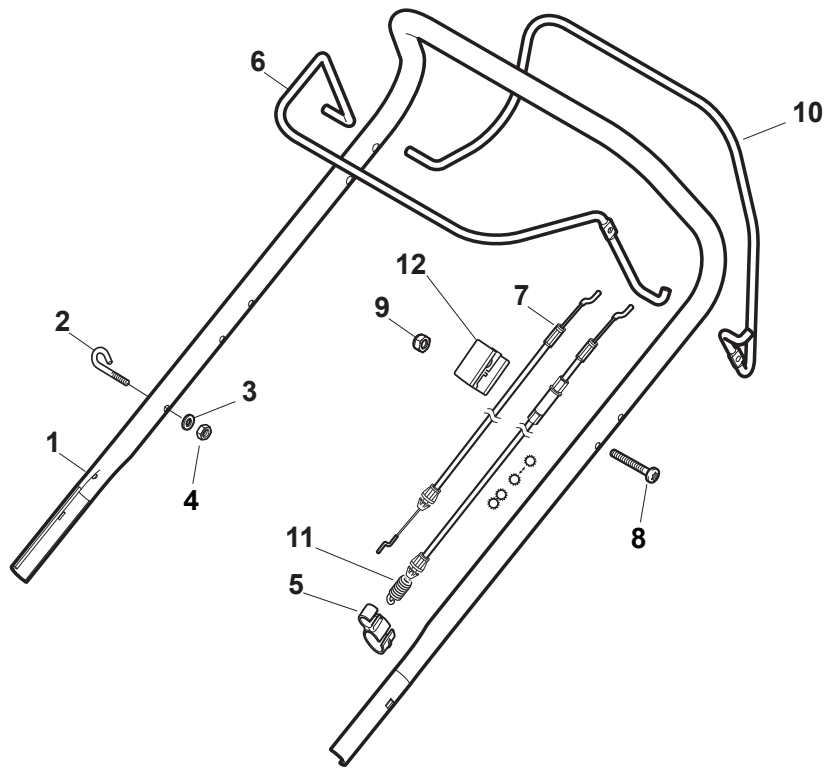




Fig.	Q.ty	Part No	Description	Notes
1	1	381006739/1	Handle, Upper Part	
1	1	381006745/1	Handle, Upper Part with sponge handgrip	
2	1	122430313/0	Guide Spring	
3	1	112521330/0	Washer	
4	1	112154510/0	Nut	
5	1	118390020/0	Conduit Clip	
6	1	181003363/1	Lever, Engine Brake Black	Black
7	1	181030056/0	Cable, Thread Engine Brake	B&S Engine
8	1	112727783/0	Screw	
9	1	112154510/0	Nut	
10	1	181003364/0	Drive Control Lever	Black
11	1	381030082/0	Cable Rear Drive	
12	1	322551640/0	Plate	

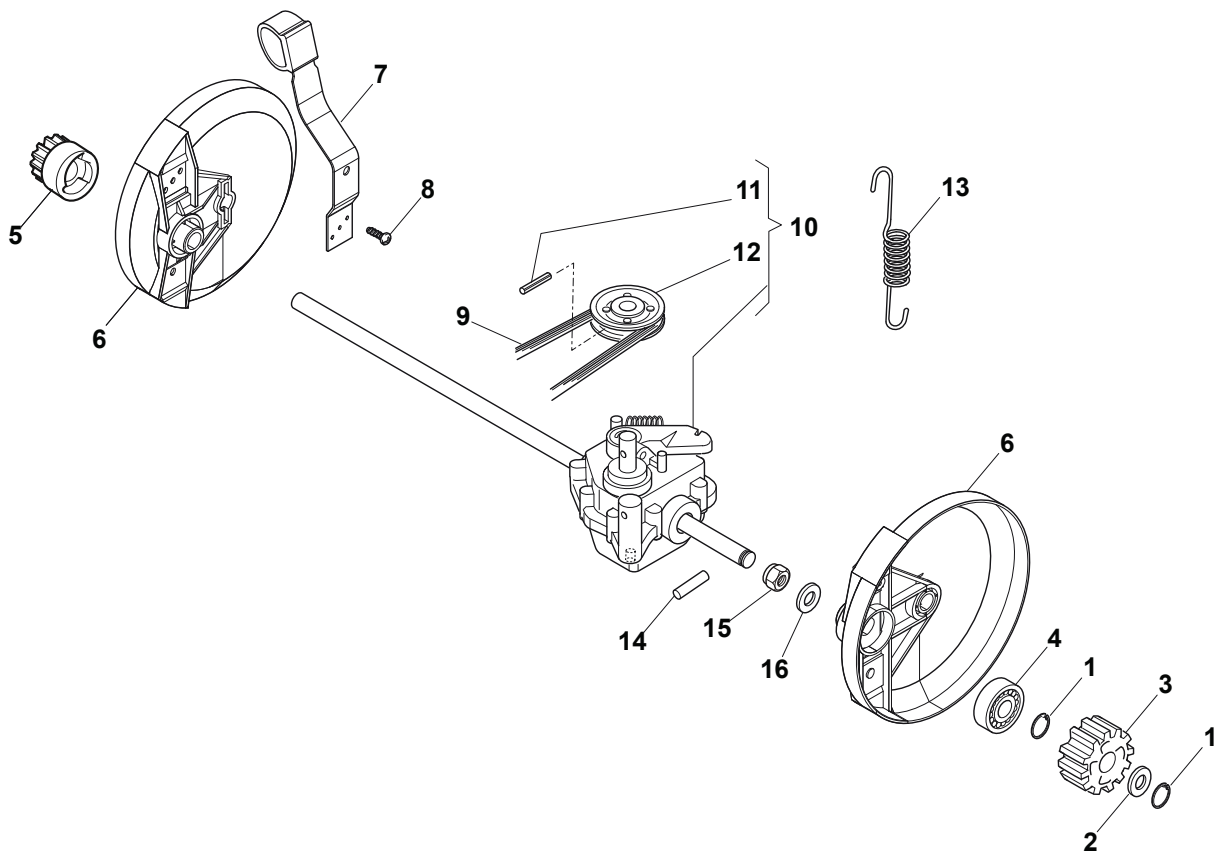


Fig.	Q.ty	Part No	Description	Notes
1	4	112608600/0	Seeger	
2	2	112521370/0	Washer	
3	2	322570136/0	Left Pinion	
4	2	119216035/0	Bearing	
5	2	322570135/0	Right Pinion	
6	2	322600348/0	Protection, Wheel	
7	2	381003303/0	Lever, Height Adjustment	
8	4	112728689/0	Screw	
9	1	135063710/0	Belt	
10	1	181003124/0	Gear Box	
11	1	112645705/0	Elastic Pin	
12	1	122601909/0	Pulley	
13	1	122430254/0	Spring	
14	2	122753000/0	Pin	
15	2	112155000/0	Nut	
16	2	325670011/0	Antifriction Washer	

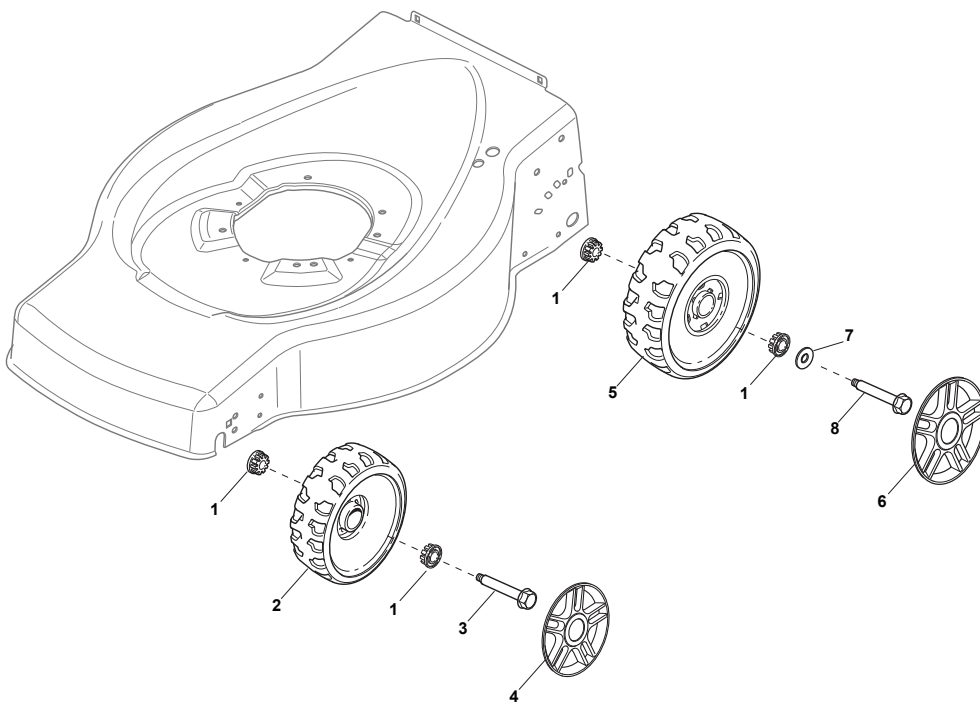


Fig.	Q.ty	Part No	Description	Notes
1	8	122034508/0	Bushing	
2	2	322686091/1	Wheel	
3	4	122524341/0	Pin	
4	2	322110491/0	Hub Cap Grey	Grey
5	2	322686092/0	Wheel	
6	2	322110492/0	Hub Cap Grey	Grey
7	2	112523050/0	Washer	
8	2	122524341/0	Pin	

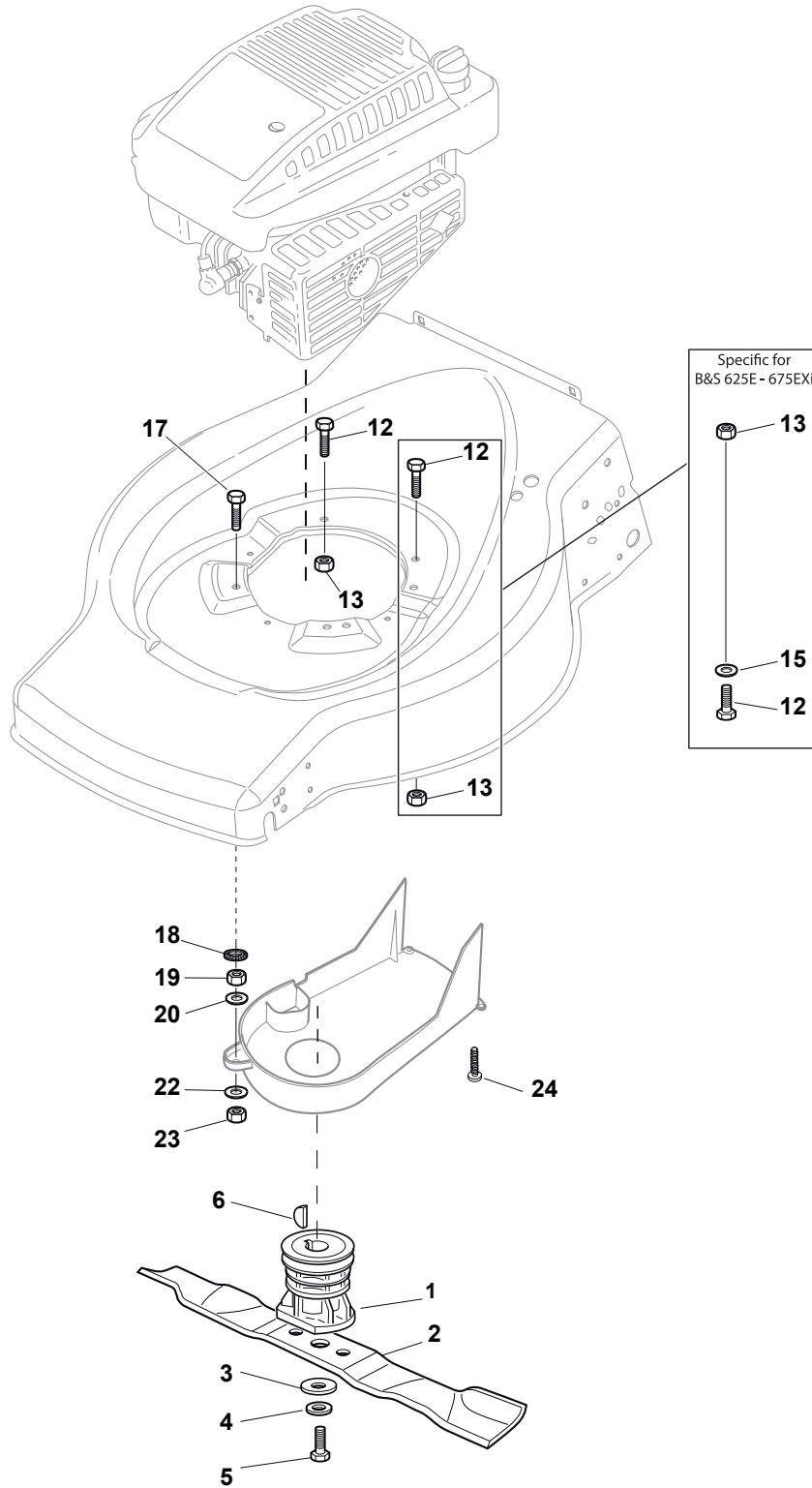


Fig.	Q.ty	Part No	Description	Notes
1	1	122465607/3	Hub With Pulley, Crankshaft Ø 22.2	
2	1	181004360/3	Mulching Blade	
3	1	122160400/0	Elastic Disc	
4	1	112523080/0	Washer	
5	1	112735698/0	Screw	
6	1	112139100/0	Key	
15	1	112521350/0	Washer	
17	3	112691200/0	Screw	
18	1	112543002/0	Washer	
19	1	112293200/0	Nut	
20	1	122671651/0	Washer	
22	1	325670011/0	Antifriction Washer	
23	1	112155000/0	Nut	

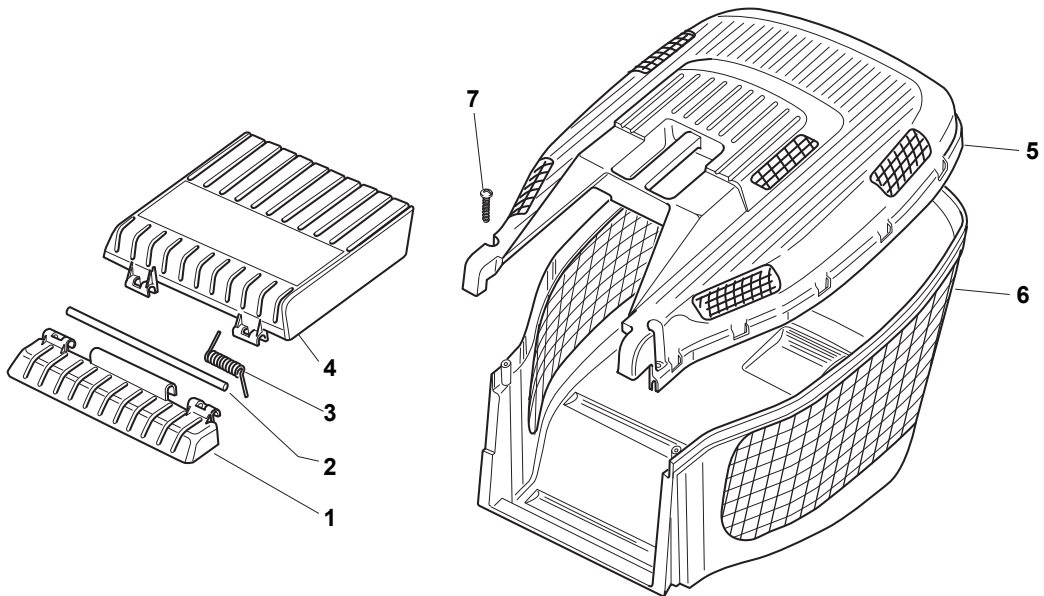




Fig.	Q.ty	Part No	Description	Notes
1	1	322785136/1	Stone Guard Support, Black	Black
2	1	122517858/0	Pin	
3	1	122450431/0	Spring	
4	1	322600099/2	Stone-Guard	Black
5	1	322486122/0	Grasscatcher Upper Part Black	Black
6	1	322486128/0	Grassbox Lower Part	
7	2	112728691/0	Screw	

code	pos.	q.ty	page				
112139100/0	6	1	p. 15	322600170/0	5	2	p. 3
112154510/0	4	1	p. 9	322600348/0	6	2	p. 11
112154510/0	9	1	p. 9	322686091/1	2	2	p. 13
112155000/0	7	2	p. 3	322686092/0	5	2	p. 13
112155000/0	15	2	p. 11	322735559/0	9	1	p. 3
112155000/0	23	1	p. 15	322735561/0	3	1	p. 3
112293200/0	7	2	p. 7	322785136/1	1	1	p. 17
112293200/0	19	1	p. 15	325670011/0	8	2	p. 3
112521330/0	3	1	p. 9	325670011/0	16	2	p. 11
112521350/0	2	4	p. 7	325670011/0	22	1	p. 15
112521350/0	15	1	p. 15	381003303/0	7	2	p. 11
112521370/0	2	2	p. 11	381003306/0	4	2	p. 3
112523050/0	7	2	p. 13	381004883/0	1	1	p. 3
112523080/0	4	1	p. 15	381006568/0	3	1	p. 7
112530150/0	22	2	p. 3	381006739/1	1	1	p. 9
112543002/0	18	1	p. 15	381006745/1	1	1	p. 9
112608600/0	1	4	p. 11	381008696/0	8	1	p. 7
112645705/0	11	1	p. 11	381030082/0	11	1	p. 9
112691200/0	17	3	p. 15				
112727783/0	8	1	p. 9				
112728686/0	2	6	p. 5				
112728686/0	7	2	p. 5				
112728689/0	8	4	p. 11				
112728691/0	7	2	p. 17				
112735645/0	8	2	p. 5				
112735698/0	5	1	p. 15				
112760605/0	1	4	p. 7				
112819120/0	4	1	p. 7				
118390020/0	5	1	p. 9				
119216035/0	4	2	p. 11				
122034508/0	1	8	p. 13				
122131750/0	2	2	p. 3				
122160400/0	3	1	p. 15				
122399900/0	6	2	p. 7				
122430254/0	13	1	p. 11				
122430313/0	2	1	p. 9				
122450431/0	3	1	p. 17				
122465607/3	1	1	p. 15				
122517858/0	2	1	p. 17				
122524324/0	6	2	p. 3				
122524341/0	3	4	p. 13				
122524341/0	8	2	p. 13				
122601909/0	12	1	p. 11				
122671651/0	5	2	p. 7				
122671651/0	20	1	p. 15				
122753000/0	14	2	p. 11				
135063710/0	9	1	p. 11				
181003124/0	10	1	p. 11				
181003363/1	6	1	p. 9				
181003364/0	10	1	p. 9				
181004360/3	2	1	p. 15				
181030056/0	7	1	p. 9				
322060301/0	21	1	p. 5				
322108273/1	1	1	p. 5				
322108391/0	5	1	p. 5				
322110491/0	4	2	p. 13				
322110492/0	6	2	p. 13				
322486122/0	5	1	p. 17				
322486128/0	6	1	p. 17				
322545189/0	6	4	p. 5				
322551640/0	12	1	p. 9				
322570135/0	5	2	p. 11				
322570136/0	3	2	p. 11				
322600099/2	4	1	p. 17				