



Catalogue des pieces de rechange - Spare parts catalogue

Modèle Année 2016 - Model Year 2016

BG PRO SERIE - 1

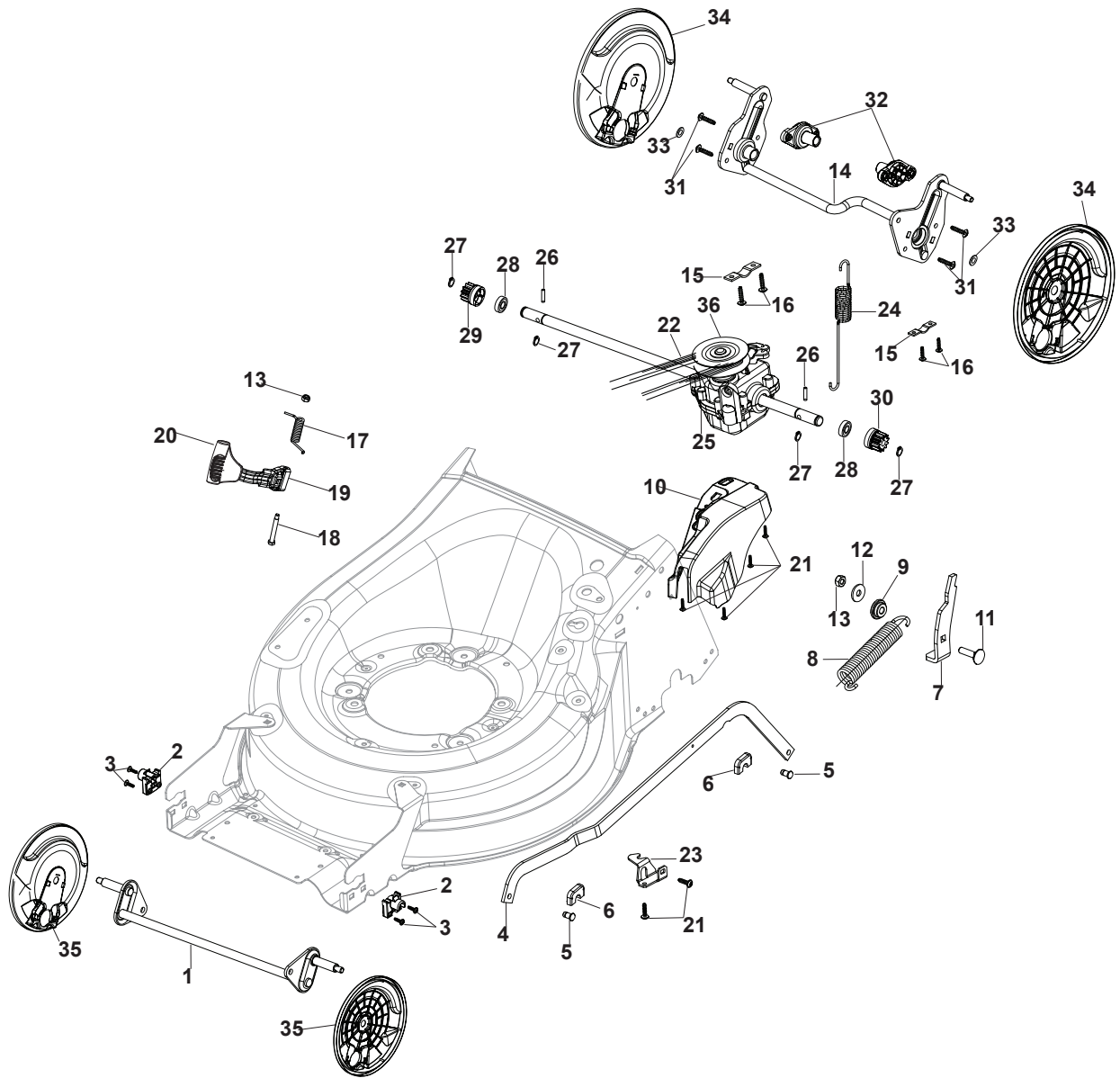


Fig.	Q.ty	Part No	Description	Notes
1	1	381302883/0	Front Wheel Axle	
2	2	322785305/0	Support	
3	4	112728697/0	Screw	
4	1	322869693/0	Wheels Control Rod	
5	2	122519823/0	Pin	
6	2	112436051/0	Plate	
7	1	322778475/0	Bracket	
8	1	122450480/0	Spring	
9	1	122517873/0	Pin	
10	1	322055330/0	Cover	
11	1	112815270/0	Screw	
12	1	112523040/0	Washer	
13	2	112154510/0	Nut	
14	1	381302887/0	Rear Wheel Axle	
15	2	322545152/0	Plate	
16	4	112728698/0	Screw	
17	1	122446192/0	Spring	
18	1	122534131/0	Pin	
19	1	381003399/0	Lever, Height Adjustment	
20	1	322394506/0	Knob	
21	5	112728699/0	Screw	
22	1	135064100/0	Belt	
23	1	322778473/0	Bracket	
24	1	122450478/0	Spring	
25	1	181003115/0	Gear Box	
26	2	122753000/0	Pin	
27	4	112608600/0	Seeger	
28	2	119216035/0	Bearing	
29	1	122570133/0	Right Pinion	
30	2	122570134/0	Left Pinion	
31	4	112728697/0	Screw	
32	2	322042063/1	Bushing	
33	2	112521371/0	Washer	
34	2	322600208/0	Protection, Wheel	
35	2	322600145/0	Protection, Wheel	
36	1	122601909/0	Pulley	

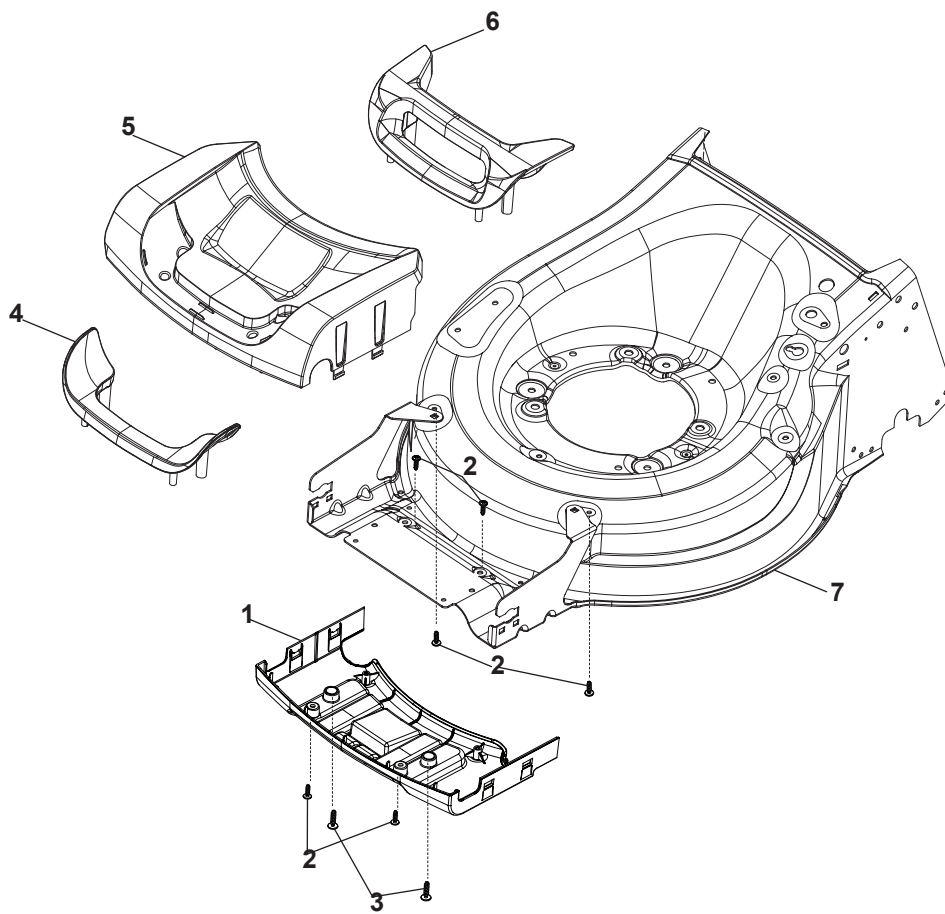


Fig.	Q.ty	Part No	Description	Notes
1	1	322500113/0	Front Combi	
2	6	112728697/0	Screw	
3	2	112728699/0	Screw	
4	1	322055524/0	Insert	
5	1	322226217/0	Mask, Red	
6	1	322393742/0	Handle	
7	1	381004779/0	Red Deck	Side Discharge

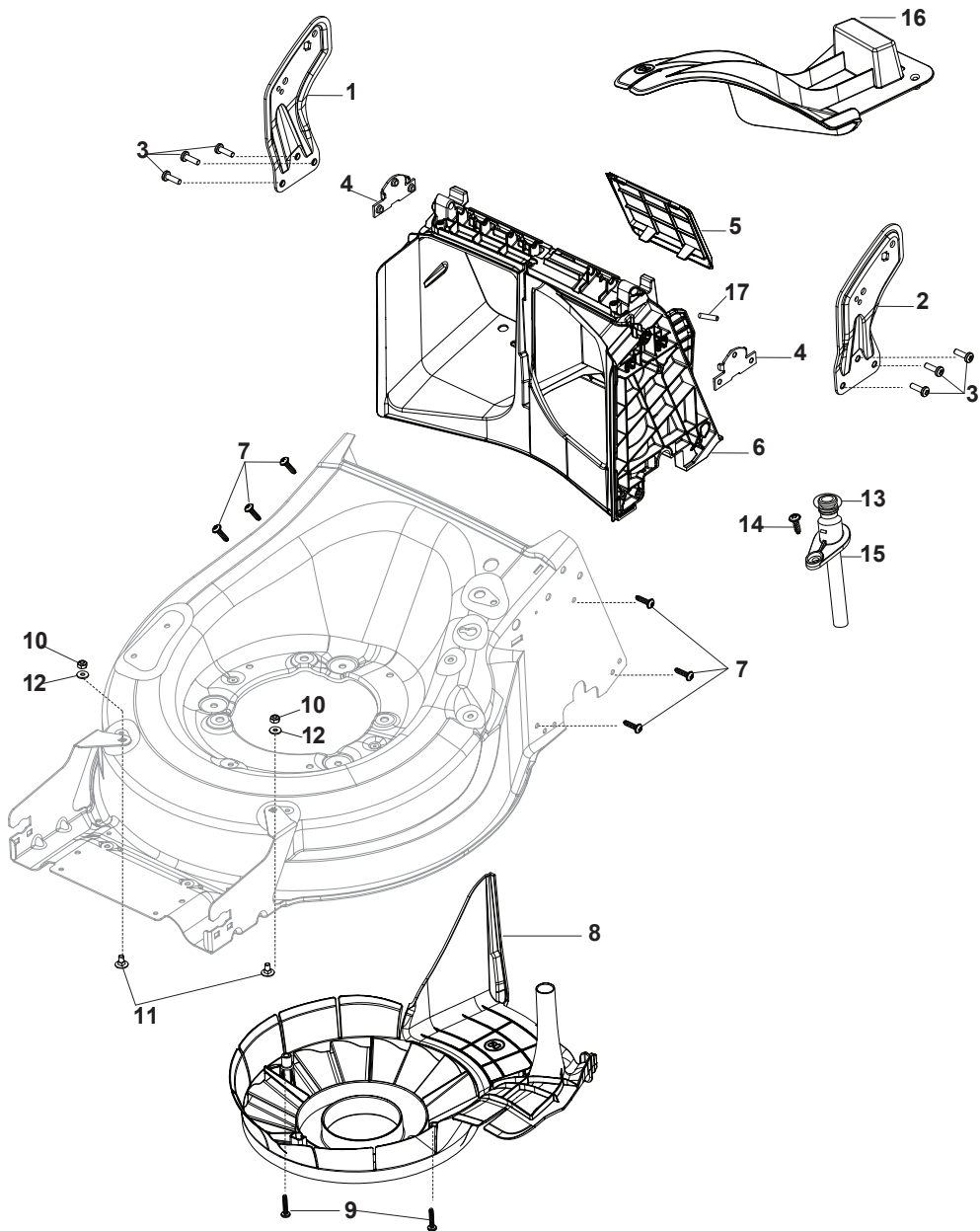


Fig.	Q.ty	Part No	Description	Notes
1	1	381005195/0	Bracket-Rh	
2	1	381005197/0	Bracket-Lh	
3	6	112727801/0	Screw	
4	2	322545213/0	Plate	
5	1	322600310/0	Rear door	Not for TR/E models
6	1	322108316/0	Conveyor	
7	6	112728699/0	Screw	
8	1	322060271/1	Pin	
9	2	112728531/1	Screw	
10	2	112154510/0	Nut	
11	2	112815200/0	Screw	
12	2	112521330/0	Washer	
13	1	119035000/0	Or Ring	
14	1	112728697/0	Screw	
15	1	322034002/0	Washing Connection	
16	1	322140246/0	Deflector	
17	1	112645708/0	Pin	

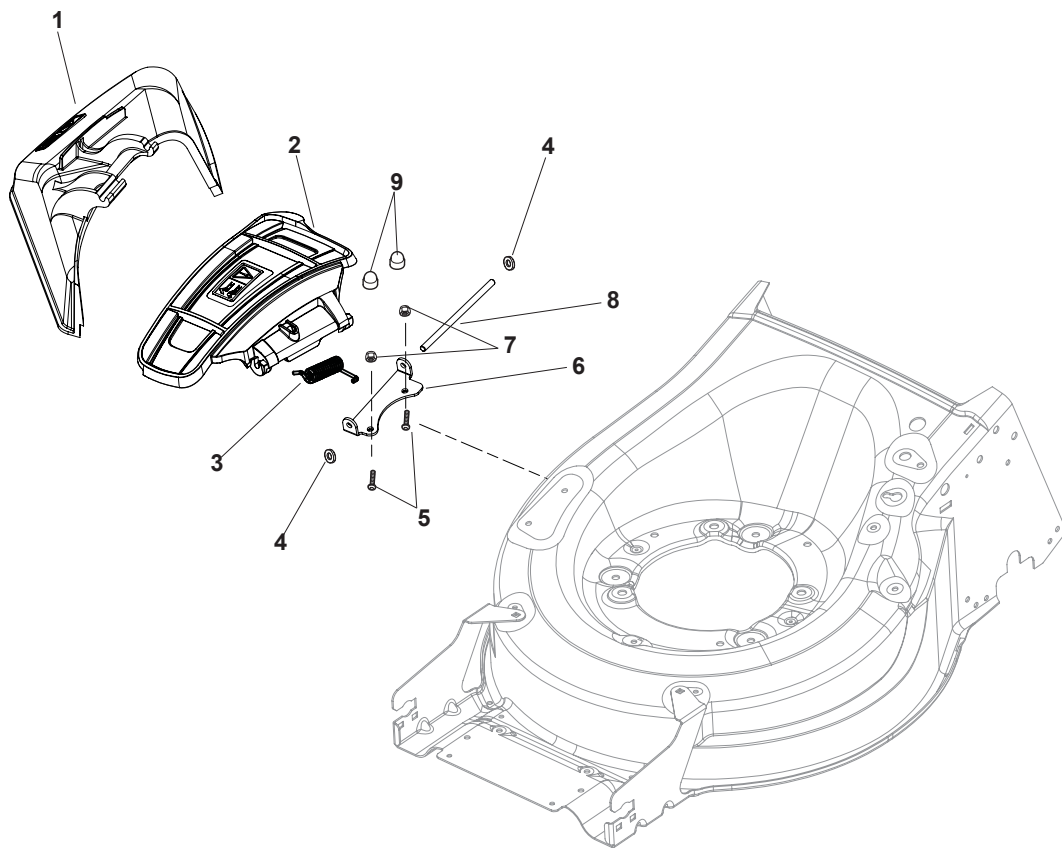


Fig.	Q.ty	Part No	Description	Notes
1	1	322108315/0	Conveyor	
2	1	322600309/0	Stone Guard, Black	
3	1	122450456/0	Spring	
4	2	112604896/0	Crown Fastener	
5	2	112727803/0	Screw	
6	1	322806639/0	Fulcrum Pin	
7	2	112154510/0	Nut	
8	1	122517869/1	Pin	
9	2	118203853/0	Screw	

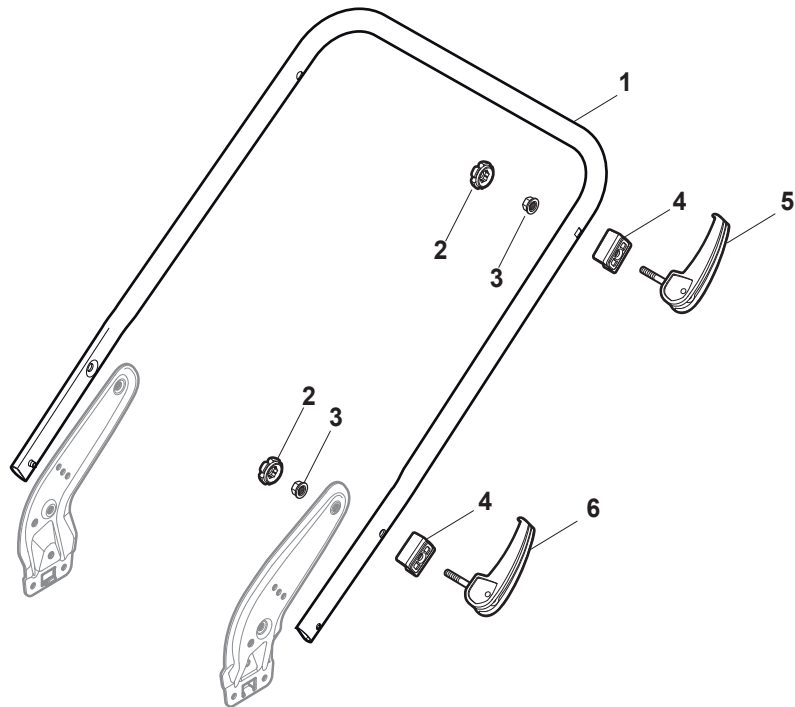


Fig.	Q.ty	Part No	Description	Notes
1	1	381007563/0	Lower handle	
2	4	122131750/0	Nut	
3	4	322399835/0	Knob	
4	4	322680016/0	Washer	
5	2	381103350/0	Handle	Black
6	2	381003253/0	Handle	Black

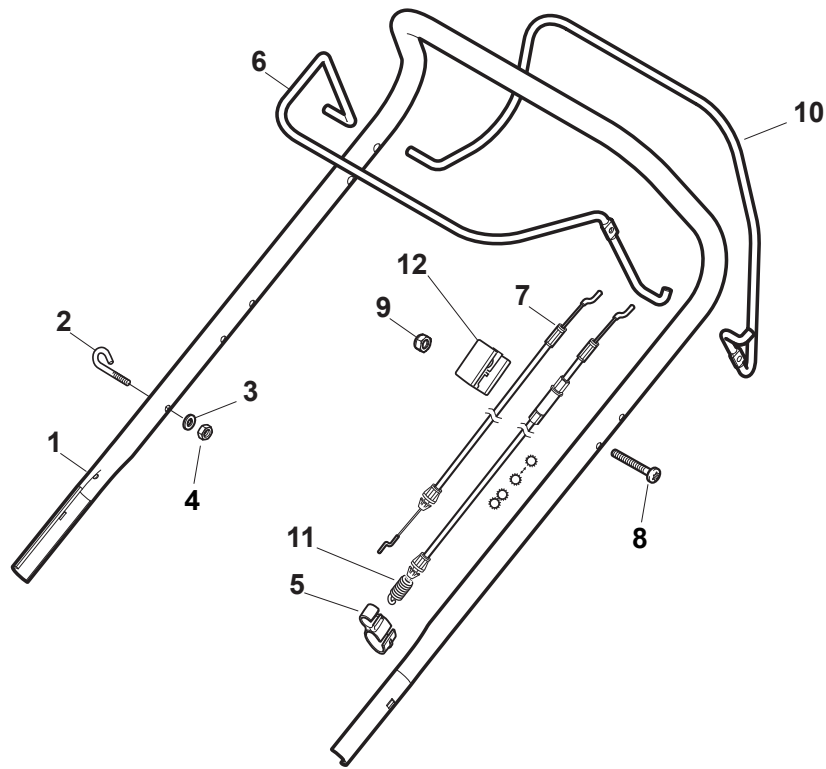


Fig.	Q.ty	Part No	Description	Notes
1	1	381006739/1	Handle, Upper Part	without Sponge
1	1	381006745/1	Handle, Upper Part with sponge handgrip	with Sponge
2	1	122430313/0	Guide Spring	
3	1	112521330/0	Washer	
4	1	112154510/0	Nut	
5	1	118390020/0	Conduit Clip	
6	1	181003363/1	Lever, Engine Brake Black	Black
7	1	181030106/0	Cable, Thread Engine Brake	Handle w/Lever - For B&S 550E-625E-675EXI-675IS-850 Engine
8	1	112727783/0	Screw	
9	1	112154510/0	Nut	
10	1	181003364/0	Drive Control Lever	Black
11	1	381030104/0	Clutch Cable	
12	1	322551640/0	Plate	

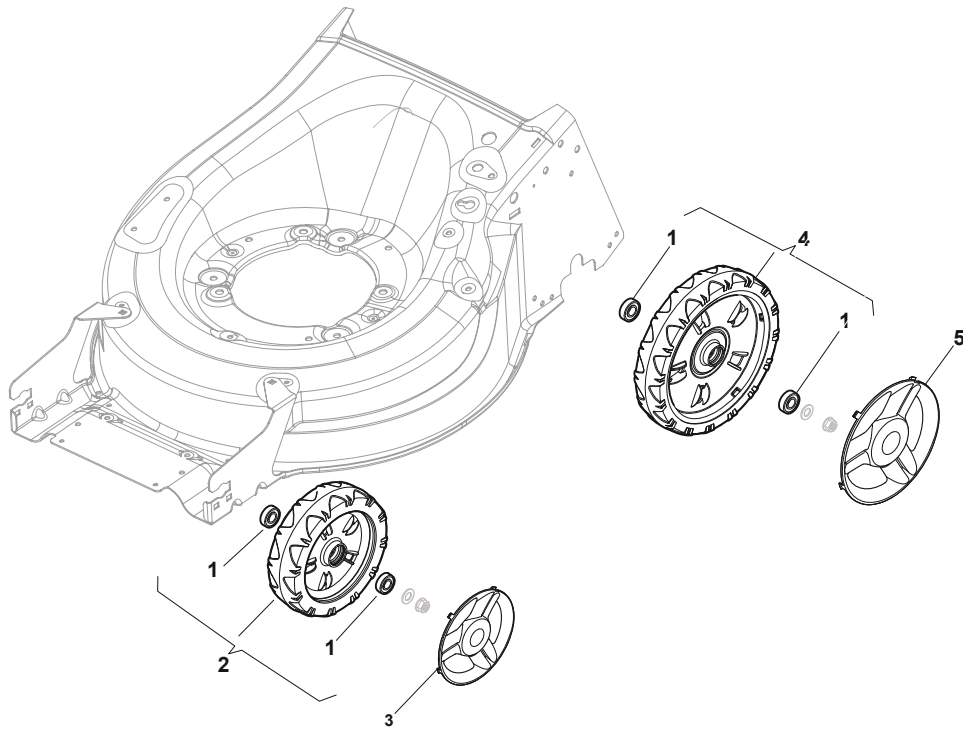


Fig.	Q.ty	Part No	Description	Notes
1	8	119216035/0	Bearing	
2	4	381007416/2	Wheel	
3	2	322110687/0	Hub Cap Grey	
4	2	381007417/2	Wheel	
5	2	322110641/0	Hub Cap Grey	

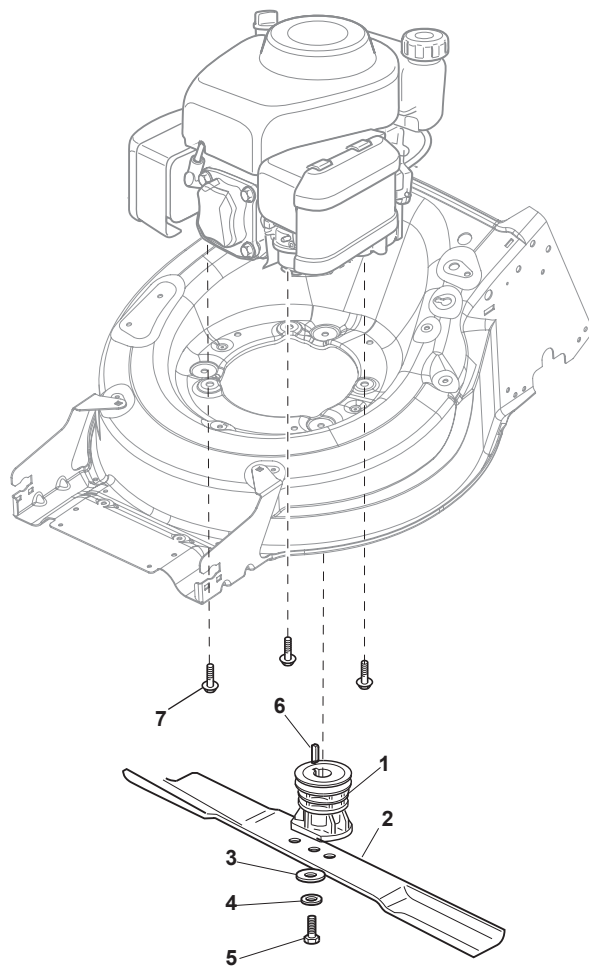


Fig.	Q.ty	Part No	Description	Notes
1	1	122465607/3	Hub With Pulley, Crankshaft Ø 22.2	for GGP and B&S Engines
2	1	181004409/0	Mulching Blade	
3	1	112508125/0	Elastic Washer	
4	1	112523080/0	Washer	
5	1	112735698/0	Screw	
6	1	112139100/0	Feather, Crankshaft Ø 22	for GGP and B&S Engines
7	3	112735108/1	Screw	for GGP-B&S-HONDA Engines

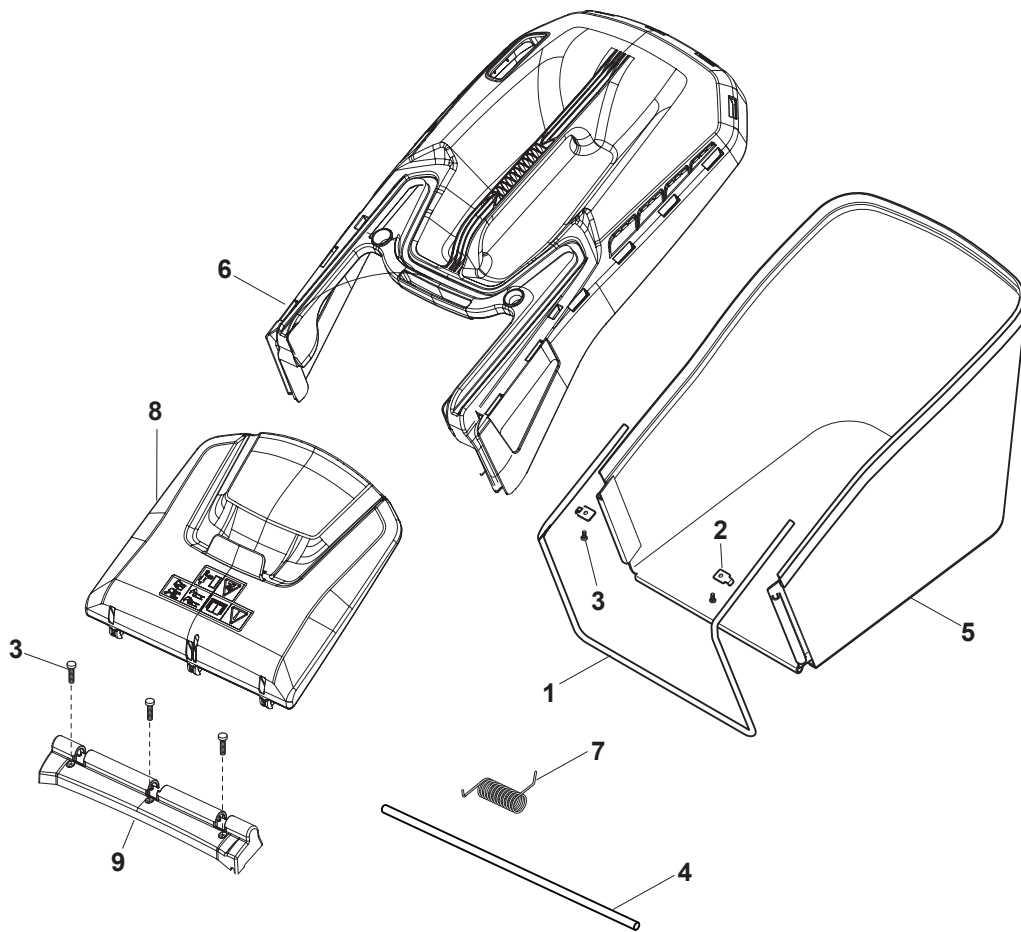


Fig.	Q.ty	Part No	Description	Notes
1	1	181006411/0	Fabric Box Frame	
2	2	322557177/0	Plate	
3	5	112728697/0	Screw	
4	1	122517884/0	Pin	
5	1	181102349/0	Cancas GrassCatcher	
6	1	322486427/0	Box, Upper Side	without indicator (Alpina)
6	1	381486039/0	Box, Upper Side	with indicator (Alpina)
7	1	122450479/0	Spring	
8	1	322600308/0	Stone Guard, Black	
9	1	322109569/0	Black Stone Guard Support	

code	pos.	q.ty	page				
112139100/0	6	1	p. 17	322042063/1	32	2	p. 3
112154510/0	4	1	p. 13	322055330/0	10	1	p. 3
112154510/0	7	2	p. 9	322055524/0	4	1	p. 5
112154510/0	9	1	p. 13	322060271/1	8	1	p. 7
112154510/0	10	2	p. 7	322108315/0	1	1	p. 9
112154510/0	13	2	p. 3	322108316/0	6	1	p. 7
112436051/0	6	2	p. 3	322109569/0	9	1	p. 19
112508125/0	3	1	p. 17	322110641/0	5	2	p. 15
112521330/0	3	1	p. 13	322110687/0	3	2	p. 15
112521330/0	12	2	p. 7	322140246/0	16	1	p. 7
112521371/0	33	2	p. 3	322226217/0	5	1	p. 5
112523040/0	12	1	p. 3	322393742/0	6	1	p. 5
112523080/0	4	1	p. 17	322394506/0	20	1	p. 3
112604896/0	4	2	p. 9	322399835/0	3	4	p. 11
112608600/0	27	4	p. 3	322486427/0	6	1	p. 19
112645708/0	17	1	p. 7	322500113/0	1	1	p. 5
112727783/0	8	1	p. 13	322545152/0	15	2	p. 3
112727801/0	3	6	p. 7	322545213/0	4	2	p. 7
112727803/0	5	2	p. 9	322551640/0	12	1	p. 13
112728531/1	9	2	p. 7	322557177/0	2	2	p. 19
112728697/0	2	6	p. 5	322600145/0	35	2	p. 3
112728697/0	3	4	p. 3	322600208/0	34	2	p. 3
112728697/0	3	5	p. 19	322600308/0	8	1	p. 19
112728697/0	14	1	p. 7	322600309/0	2	1	p. 9
112728697/0	31	4	p. 3	322600310/0	5	1	p. 7
112728698/0	16	4	p. 3	322680016/0	4	4	p. 11
112728699/0	3	2	p. 5	322778473/0	23	1	p. 3
112728699/0	7	6	p. 7	322778475/0	7	1	p. 3
112728699/0	21	5	p. 3	322785305/0	2	2	p. 3
112735108/1	7	3	p. 17	322806639/0	6	1	p. 9
112735698/0	5	1	p. 17	322869693/0	4	1	p. 3
112815200/0	11	2	p. 7	381003253/0	6	2	p. 11
112815270/0	11	1	p. 3	381003399/0	19	1	p. 3
118203853/0	9	2	p. 9	381004779/0	7	1	p. 5
118390020/0	5	1	p. 13	381005195/0	1	1	p. 7
119035000/0	13	1	p. 7	381005197/0	2	1	p. 7
119216035/0	1	8	p. 15	381006739/1	1	1	p. 13
119216035/0	28	2	p. 3	381006745/1	1	1	p. 13
122131750/0	2	4	p. 11	381007416/2	2	4	p. 15
122430313/0	2	1	p. 13	381007417/2	4	2	p. 15
122446192/0	17	1	p. 3	381007563/0	1	1	p. 11
122450456/0	3	1	p. 9	381030104/0	11	1	p. 13
122450478/0	24	1	p. 3	381103350/0	5	2	p. 11
122450479/0	7	1	p. 19	381302883/0	1	1	p. 3
122450480/0	8	1	p. 3	381302887/0	14	1	p. 3
122465607/3	1	1	p. 17	381486039/0	6	1	p. 19
122517869/1	8	1	p. 9				
122517873/0	9	1	p. 3				
122517884/0	4	1	p. 19				
122519823/0	5	2	p. 3				
122534131/0	18	1	p. 3				
122570133/0	29	1	p. 3				
122570134/0	30	2	p. 3				
122601909/0	36	1	p. 3				
122753000/0	26	2	p. 3				
135064100/0	22	1	p. 3				
181003115/0	25	1	p. 3				
181003363/1	6	1	p. 13				
181003364/0	10	1	p. 13				
181004409/0	2	1	p. 17				
181006411/0	1	1	p. 19				
181030106/0	7	1	p. 13				
181102349/0	5	1	p. 19				
322034002/0	15	1	p. 7				