

# GENUINE SPARE PARTS

## BL 460 SB

- Use GLOBAL GARDEN PRODUCT Genuine Spare Parts specified in the parts list for repair and/or replacement.
- The contents described in the parts list may change due to improvement.
- The drawings of the spare parts are only indicative and might not represent the part in question exactly.
- The indications "right" - "left" - "front" - "rear" refer to the position of the operator when using the machine.
- When placing orders of parts for repair and/or replacement, make sure that the illustrated parts list is the one applying to the machine's year of manufacture, as shown on the identification plate attached to the machine.

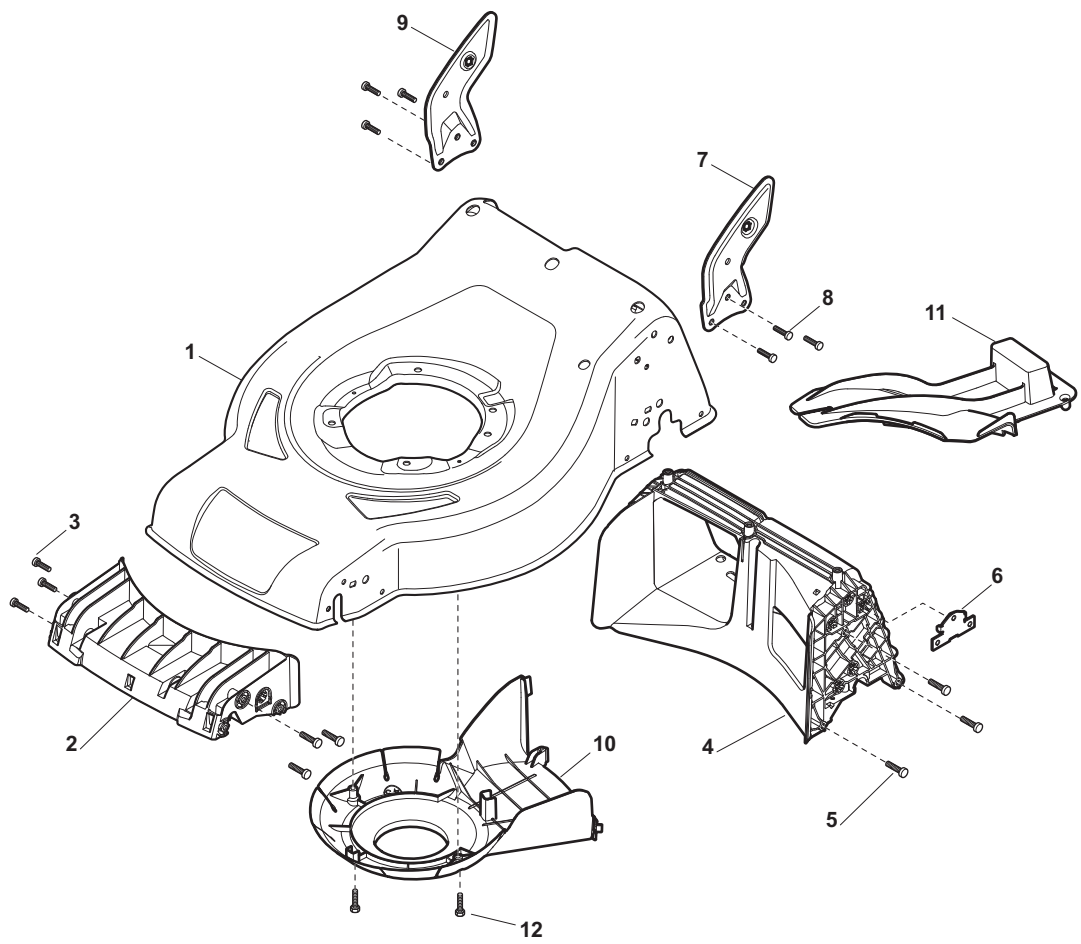
© Copyright 2013 Global Garden Products

All content is subject to copyright by Global Garden Products and may not be reproduced in whole or in part by any means, electronic or otherwise, without prior written approval.

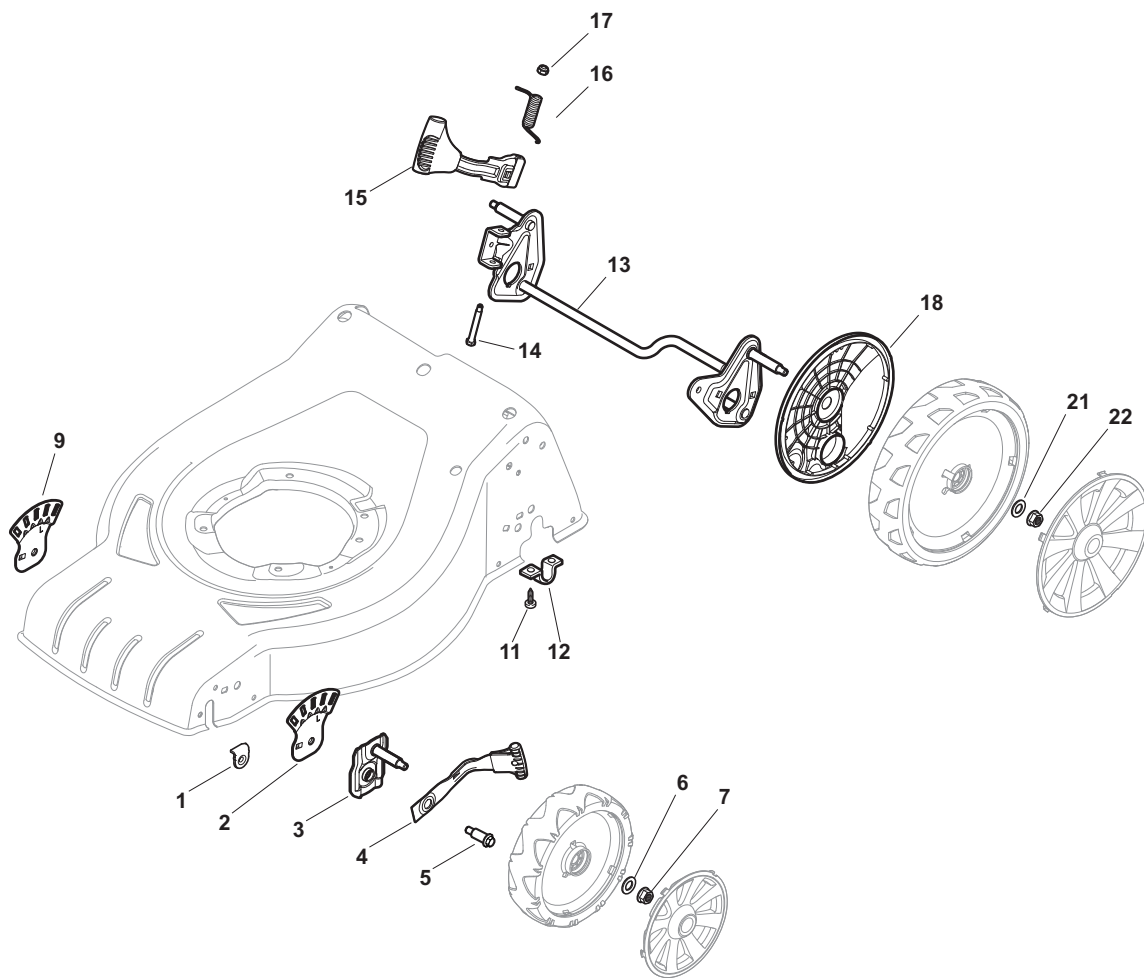
THIS INFORMATION IS NOT INTENDED FOR SALE OR RESALE, AND THIS NOTICE MUST REMAIN ON ALL COPIES.

...THINKING GREEN

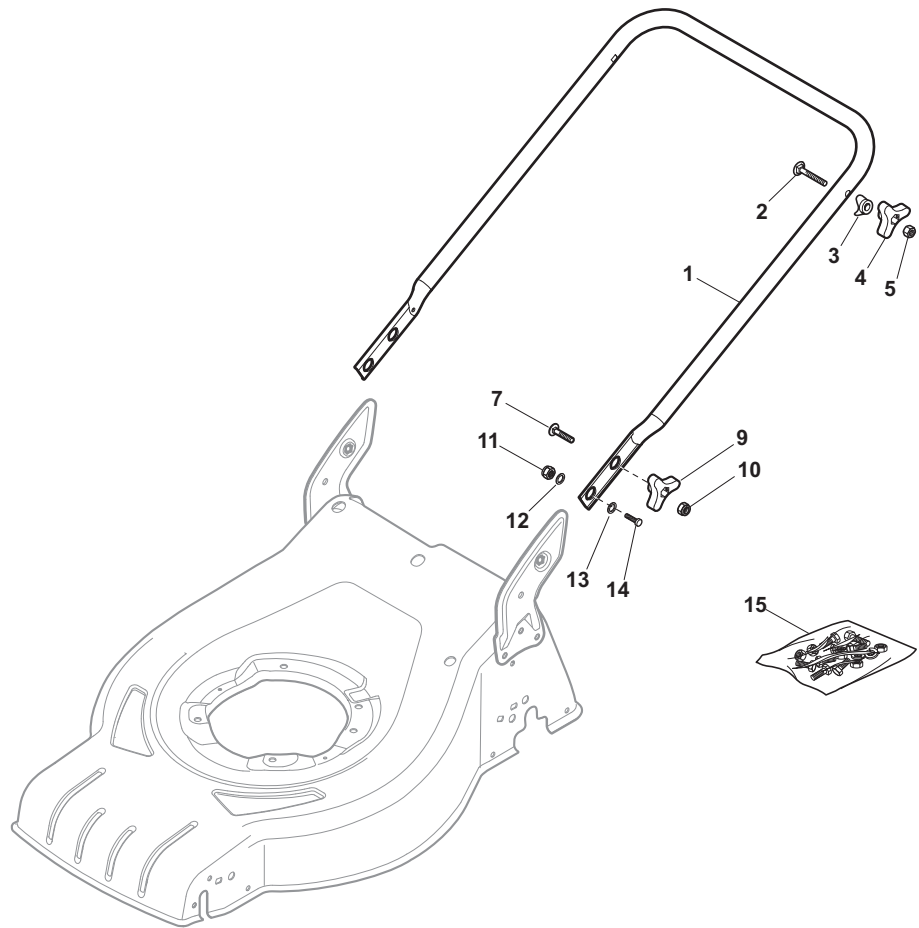




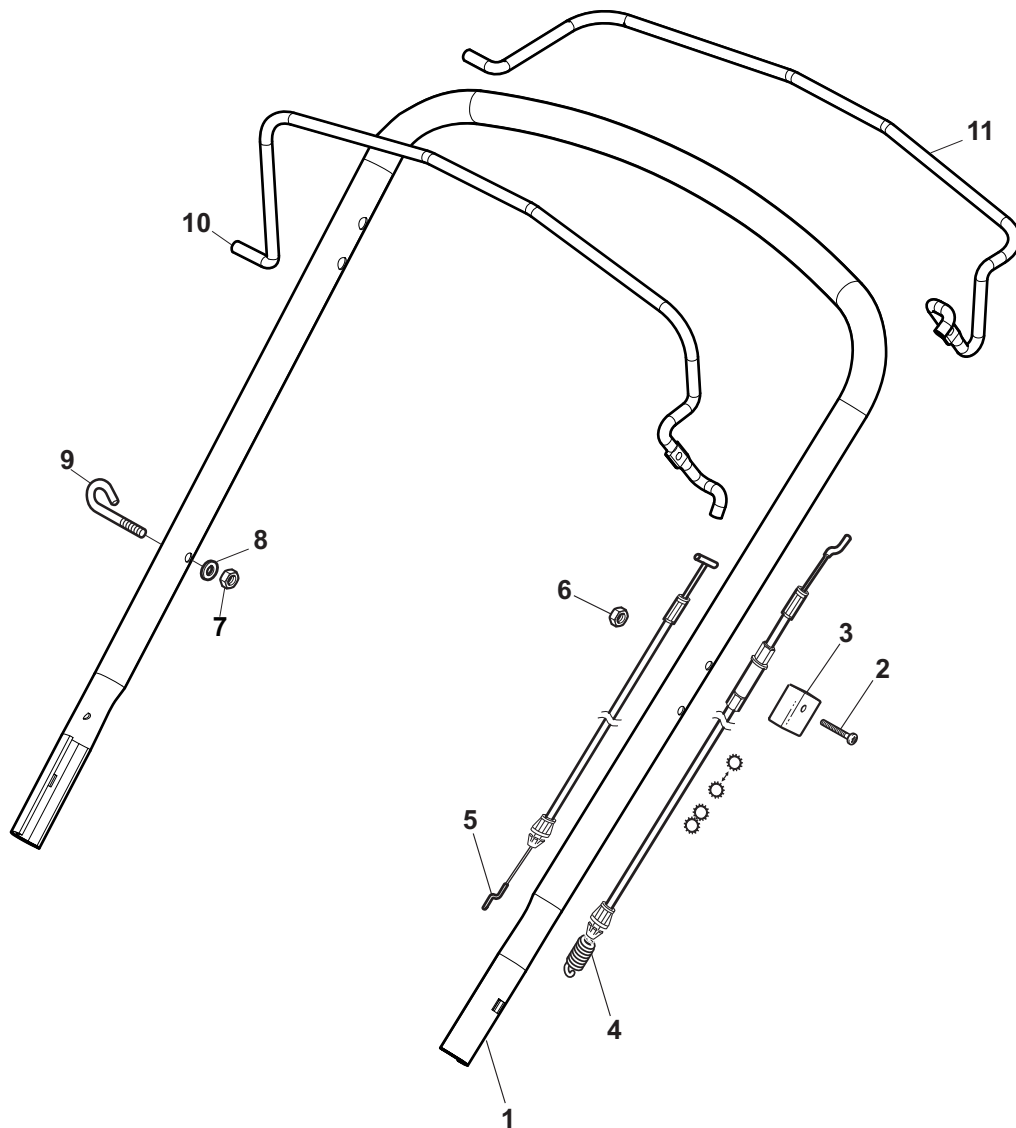
POSITION	PART NO.	Q.Ty	DESCRIPTION	NOTES
1	381004051/0	1	Deck Black	
2	322108301/1	1	Rear Conveyor Assy	
3	112728699/0	6	Screw	
4	322108302/0	1	Rear Conveyor Assy	
5	112728699/0	6	Screw	
6	322545213/0	2	Plate	
7	381005139/0	1	Bracket, L	
8	112727801/0	6	Screw	
9	381005137/0	1	Bracket, R	
10	322060242/0	1	Protection, Belt	
11	322140239/0	1	Deflector	
12	112728530/0	2	Screw	



POSITION	PART NO.	Q.Ty	DESCRIPTION	NOTES
1	322545189/0	2	Plate	
2	322735597/1	1	Sector, Height Adjustment	
3	381005141/0	2	Support, Wheel	
4	381003354/0	2	Lever, Height Adjustment	
5	122519811/0	2	Pin	
6	112521350/0	2	Washer	
7	112155000/0	2	Nut	
9	322735595/1	1	Sector, Height Adjustment	
11	112728698/0	4	Screw	
12	322545152/0	2	Plate	
13	381302817/0	1	Axle, Rear Wheels	
14	122534131/0	1	Pin	
15	381003357/0	1	Lever, Height Adjustment	
16	122446192/0	1	Spring	
17	112154510/0	1	Nut	
18	322600205/0	2	Wheel Protection	
21	112521350/0	2	Washer	
22	112155000/0	2	Nut	

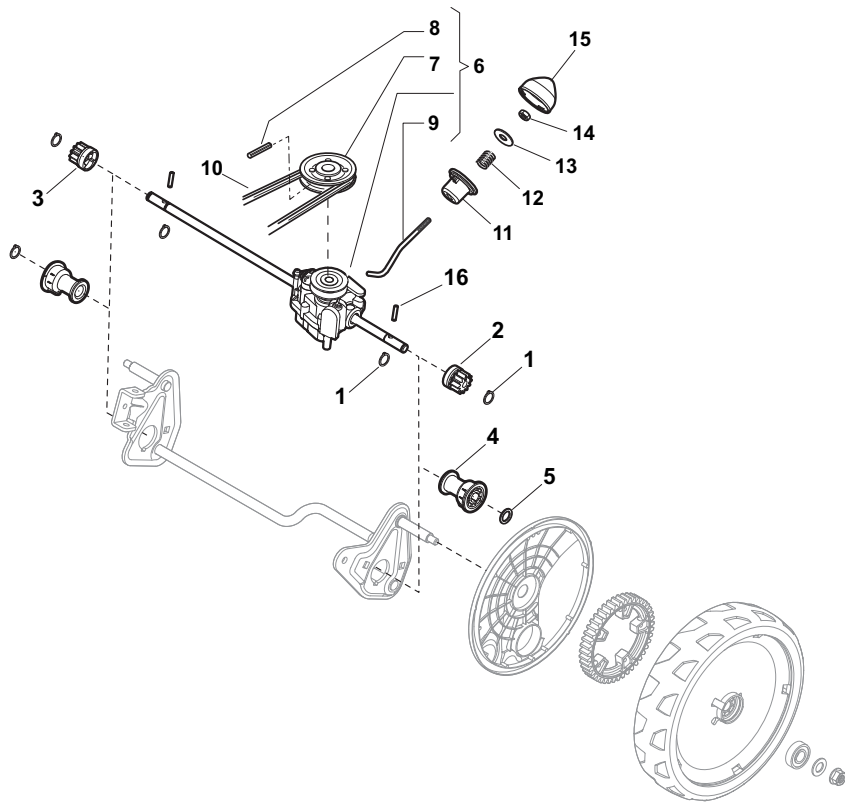


POSITION	PART NO.	Q.Ty	DESCRIPTION	NOTES
1	381006737/0	1	Handle, Lower Part	
2	112819110/0	2	Screw	
3	122671651/0	2	Washer	
4	322399840/0	2	Knob	
5	112293200/0	2	Nut	
7	112818900/0	2	Screw	
9	322399840/0	2	Knob	
10	112293200/0	2	Nut	
11	112155000/0	2	Nut	
12	112521350/0	2	Washer	
13	112369500/0	2	Elastic Washer	
14	112760605/0	2	Screw	
15	381008692/0	1	Outfit, Screws	

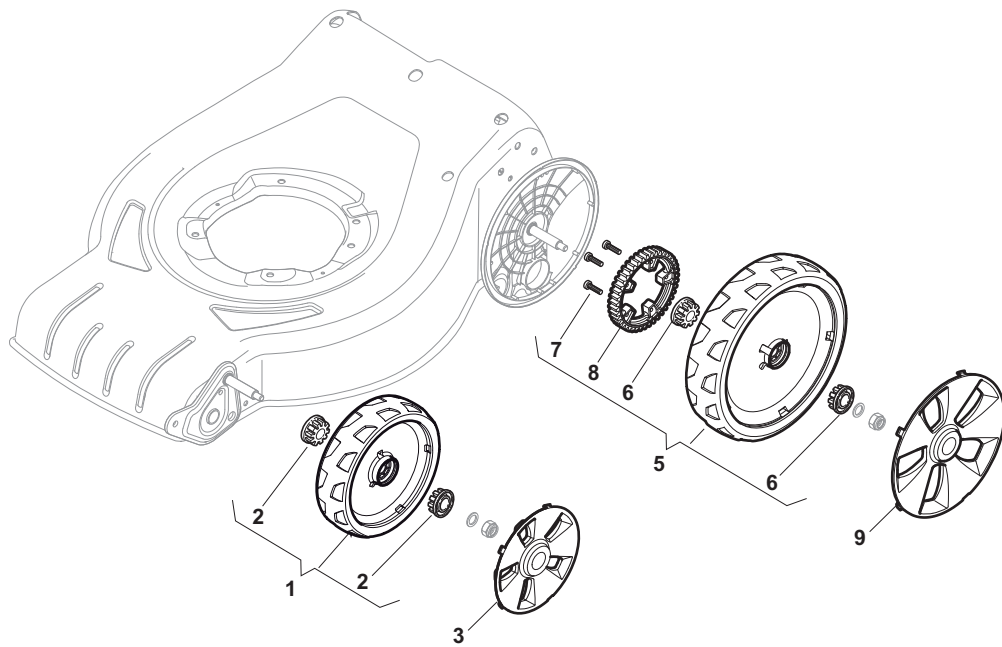




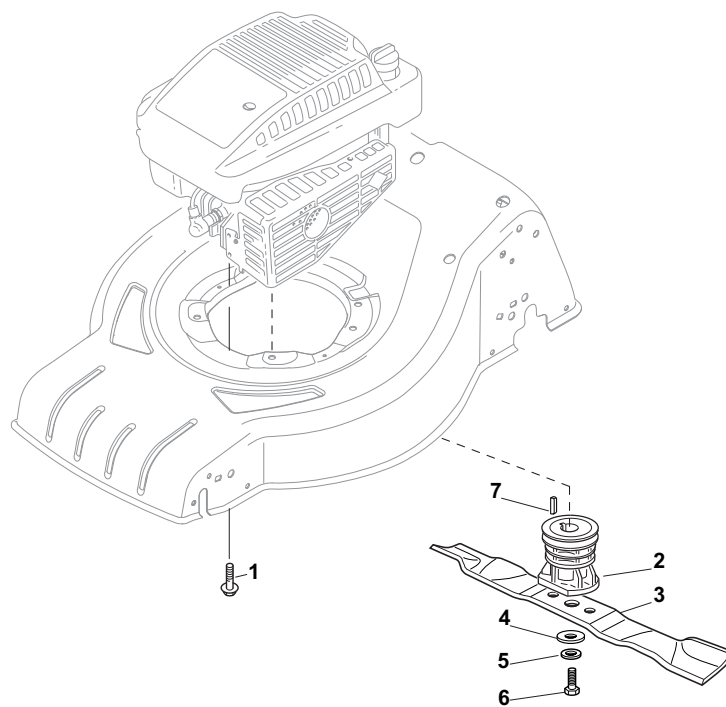
POSITION	PART NO.	Q.Ty	DESCRIPTION	NOTES
1	381006740/0	1	Handle, Upper Part	
2	112727783/0	1	Screw	
3	322551640/0	1	Plate	
4	381030085/0	1	Cable, Rear Drive	
5	181030084/0	1	Cable, Thread Engine Brake	
6	112154510/0	1	Nut	
7	112154510/0	1	Nut	
8	112521330/0	1	Washer	
9	122430313/0	1	Guide Spring	
10	181003369/0	1	Lever, Engine Brake	
11	181003371/0	1	Driving Lever	



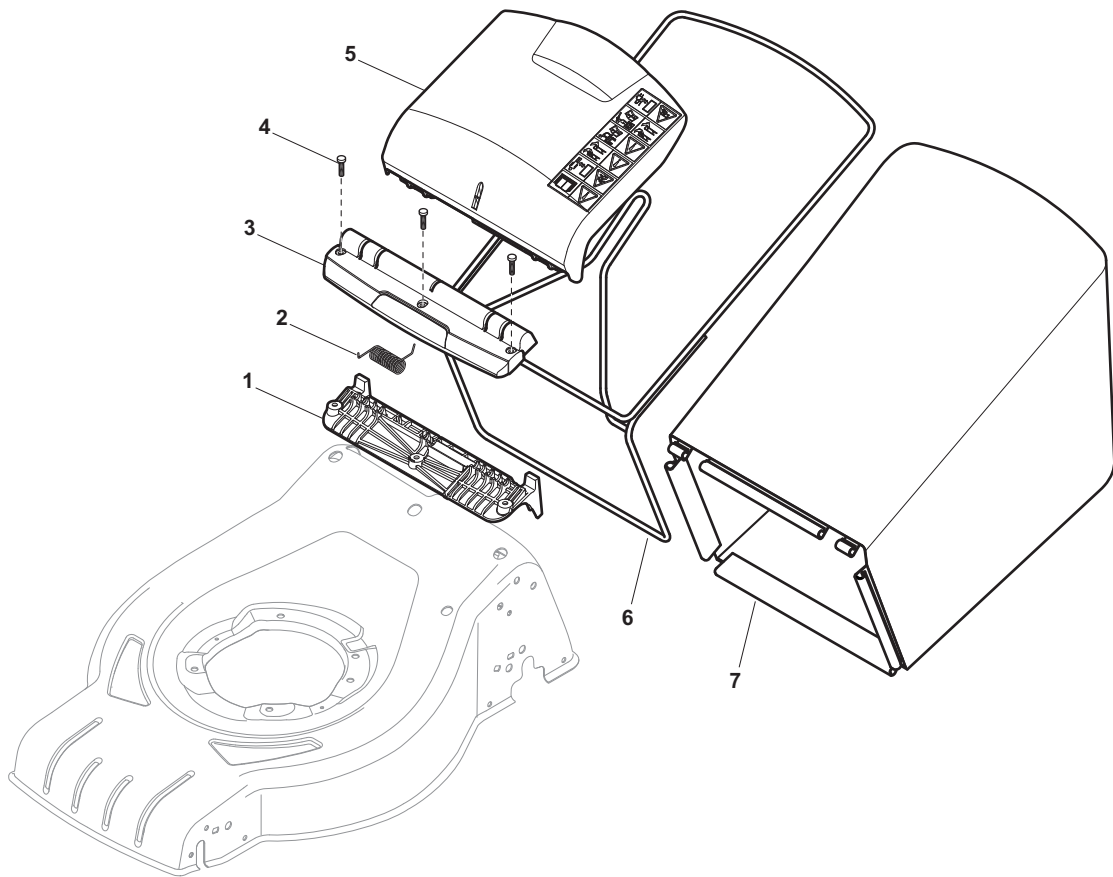
POSITION	PART NO.	Q.Ty	DESCRIPTION	NOTES
1	112608600/0	4	Seeger	
2	122570120/1	1	Pinion L	
3	122570110/1	1	Pinion R	
4	322042066/0	2	Bush	
5	112521371/0	2	Washer	
6	181003092/0	1	Gear Box	
7	122601904/0	1	Pulley	
8	112645705/0	1	Pin	
9	122033283/0	1	Adjustment Rod	
10	135063800/0	1	Belt	
11	122041957/1	1	Bush	
12	122450063/0	1	Spring	
13	322680009/0	1	Washer	
14	112154510/0	1	Nut	
15	122110230/0	1	Cap	
16	122753000/0	2	Pin	



POSITION	PART NO.	Q.Ty	DESCRIPTION	NOTES
1	381007442/1	2	Wheel Ø 180	
2	322042064/0	4	Bush	
3	322110636/0	2	Hub Cap Grey	
5	381007462/1	2	Wheel Ø 240	
6	322042064/0	4	Bush	
7	112728706/0	6	Screw	
8	322120117/0	2	Ring Gear	
9	322110637/0	2	Hub Cap Grey	



POSITION	PART NO.	Q.Ty	DESCRIPTION	NOTES
1	112691100/0	2	Screw	
1	112691800/0	1	Screw	
2	122465607/3	1	Hub With Pulley, Crankshaft Ø 22.2	
3	181004346/3	1	Blade Standard	
4	122160400/0	1	Elastic Washer	
5	112523080/0	1	Washer	
6	112735698/0	1	Screw	
7	112139100/0	1	Feather, Crankshaft Ø 22.2	
8	112154210/0	3	Screw	





POSITION	PART NO.	Q.Ty	DESCRIPTION	NOTES
1	322785331/0	1	Support	
2	122450464/0	1	Spring	
3	322109557/0	1	Cover, Grey	
4	112728699/0	3	Screw	
5	322600216/1	1	Stone-Guard Grey	
6	181006409/0	1	Chassis Box	
7	181002319/0	1	Box, Fabric	