

GENUINE SPARE PARTS

BL 510 SB

- Use GLOBAL GARDEN PRODUCT Genuine Spare Parts specified in the parts list for repair and/or replacement.
- The contents described in the parts list may change due to improvement.
- The drawings of the spare parts are only indicative and might not represent the part in question exactly.
- The indications "right" - "left" - "front" - "rear" refer to the position of the operator when using the machine.
- When placing orders of parts for repair and/or replacement, make sure that the illustrated parts list is the one applying to the machine's year of manufacture, as shown on the identification plate attached to the machine.

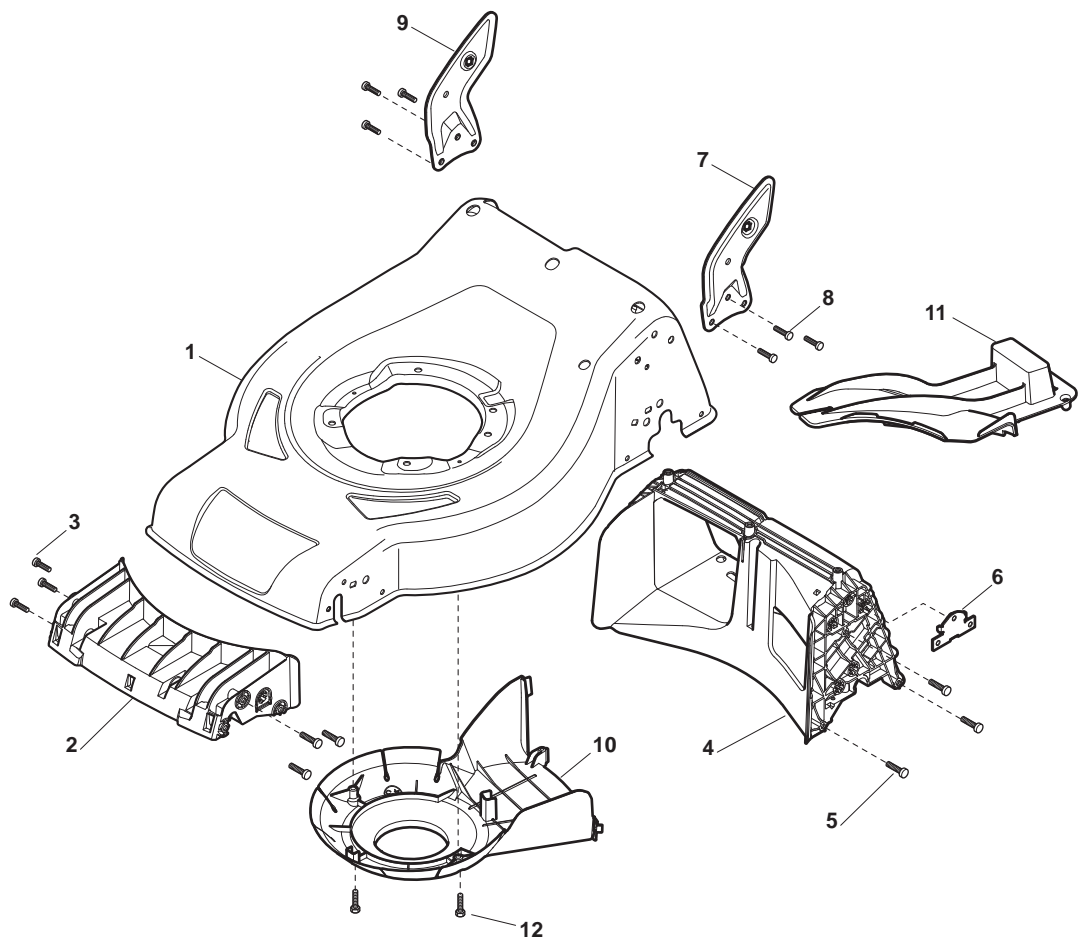
© Copyright 2013 Global Garden Products

All content is subject to copyright by Global Garden Products and may not be reproduced in whole or in part by any means, electronic or otherwise, without prior written approval.

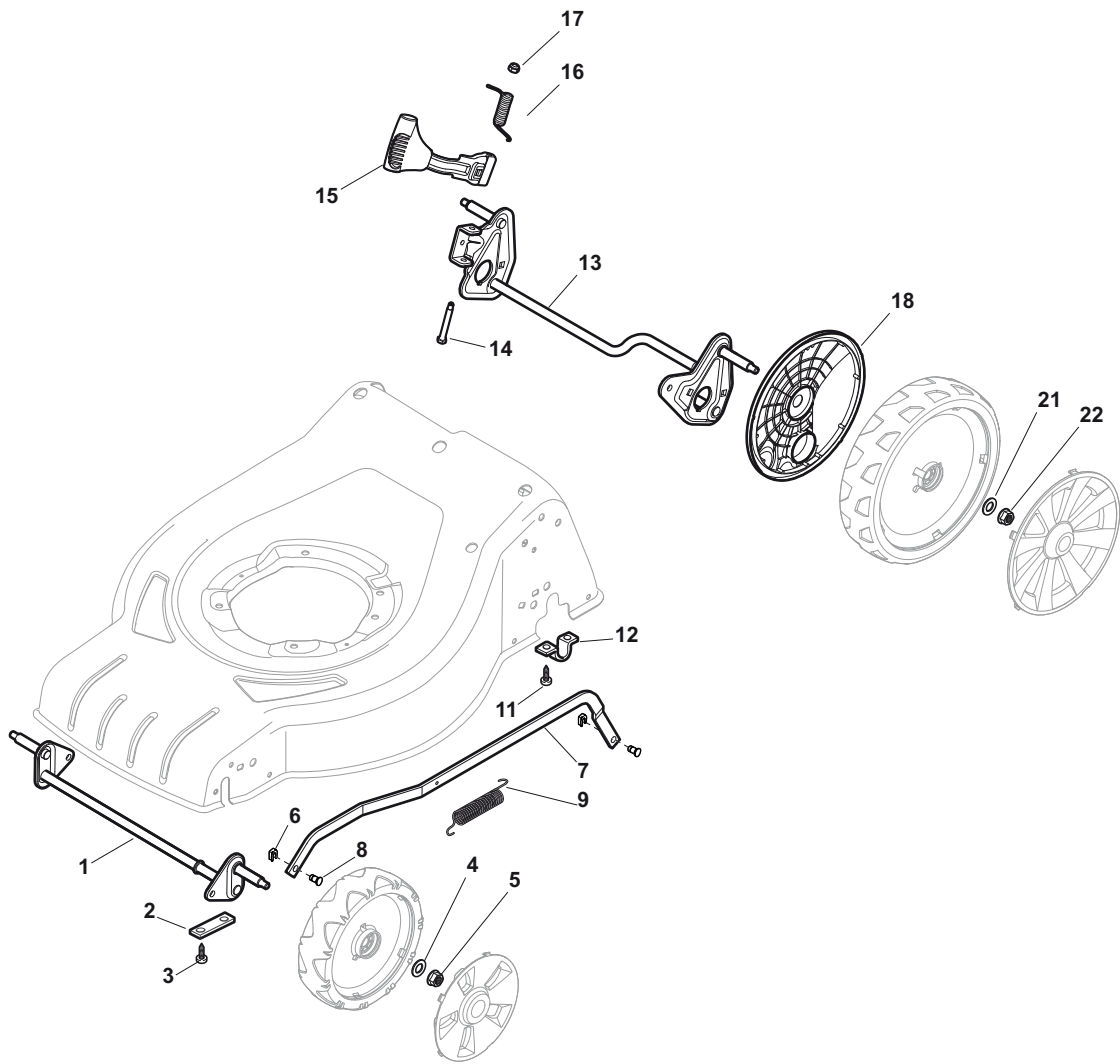
THIS INFORMATION IS NOT INTENDED FOR SALE OR RESALE, AND THIS NOTICE MUST REMAIN ON ALL COPIES.

...THINKING GREEN

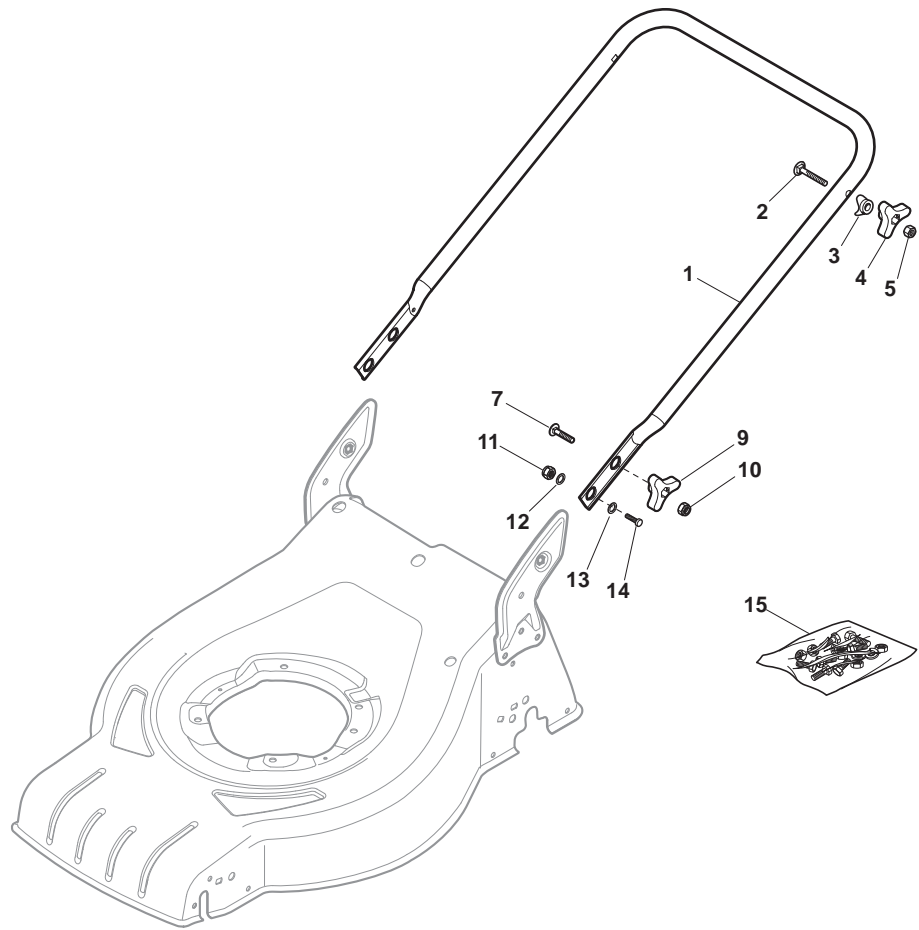




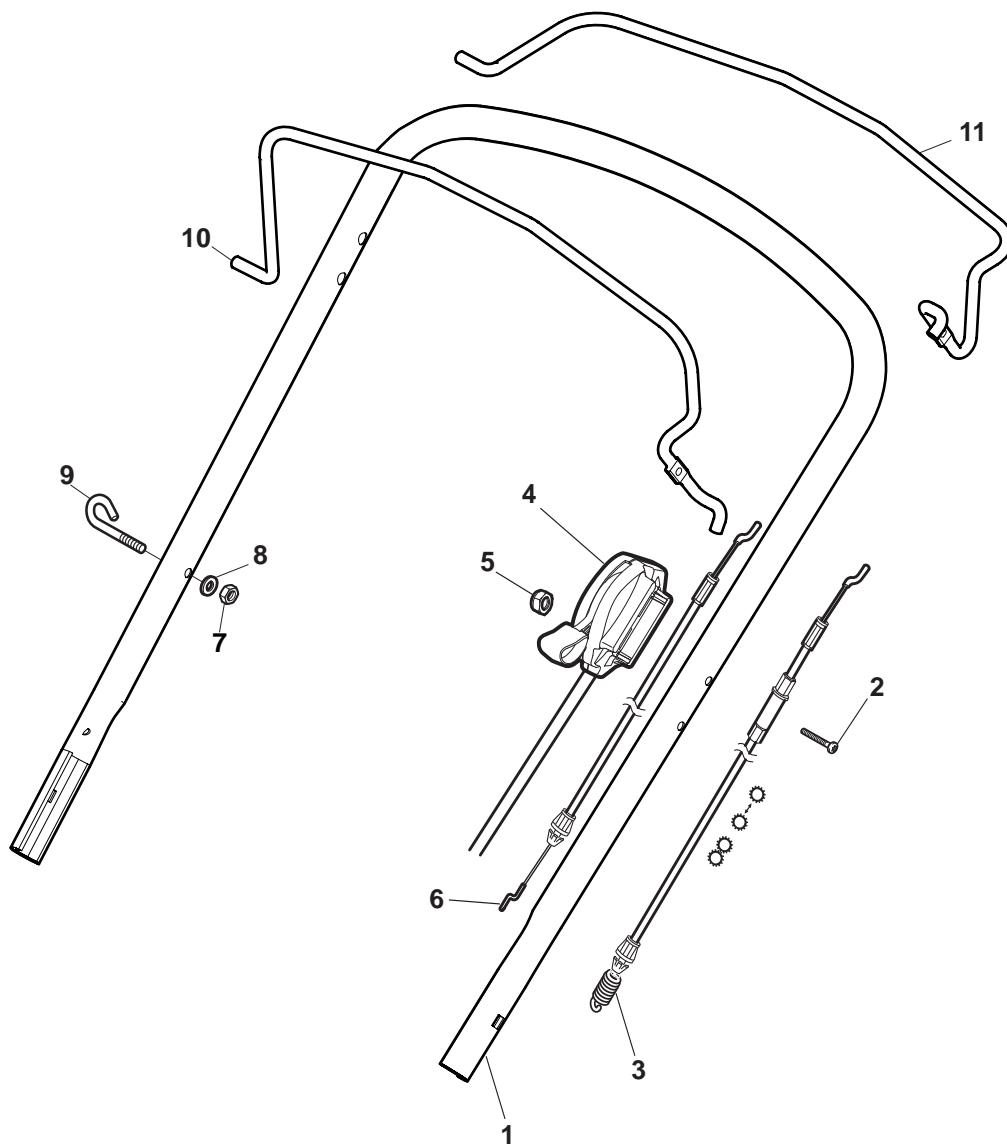
| POSITION | PART NO. | Q.Ty | DESCRIPTION | NOTES |
|----------|-------------|------|--------------------|-------|
| 1 | 381004549/0 | 1 | Deck Black | |
| 2 | 322108308/0 | 1 | Rear Conveyor Assy | |
| 3 | 112728699/0 | 6 | Screw | |
| 4 | 322108302/0 | 1 | Rear Conveyor Assy | |
| 5 | 112728699/0 | 6 | Screw | |
| 6 | 322545213/0 | 2 | Plate | |
| 7 | 381005167/0 | 1 | Bracket, L | |
| 8 | 112727801/0 | 6 | Screw | |
| 9 | 381005165/0 | 1 | Bracket, R | |
| 10 | 322060250/0 | 1 | Protection, Belt | |
| 11 | 322140244/0 | 1 | Mulching Plug | |
| 12 | 112728530/0 | 2 | Screw | |



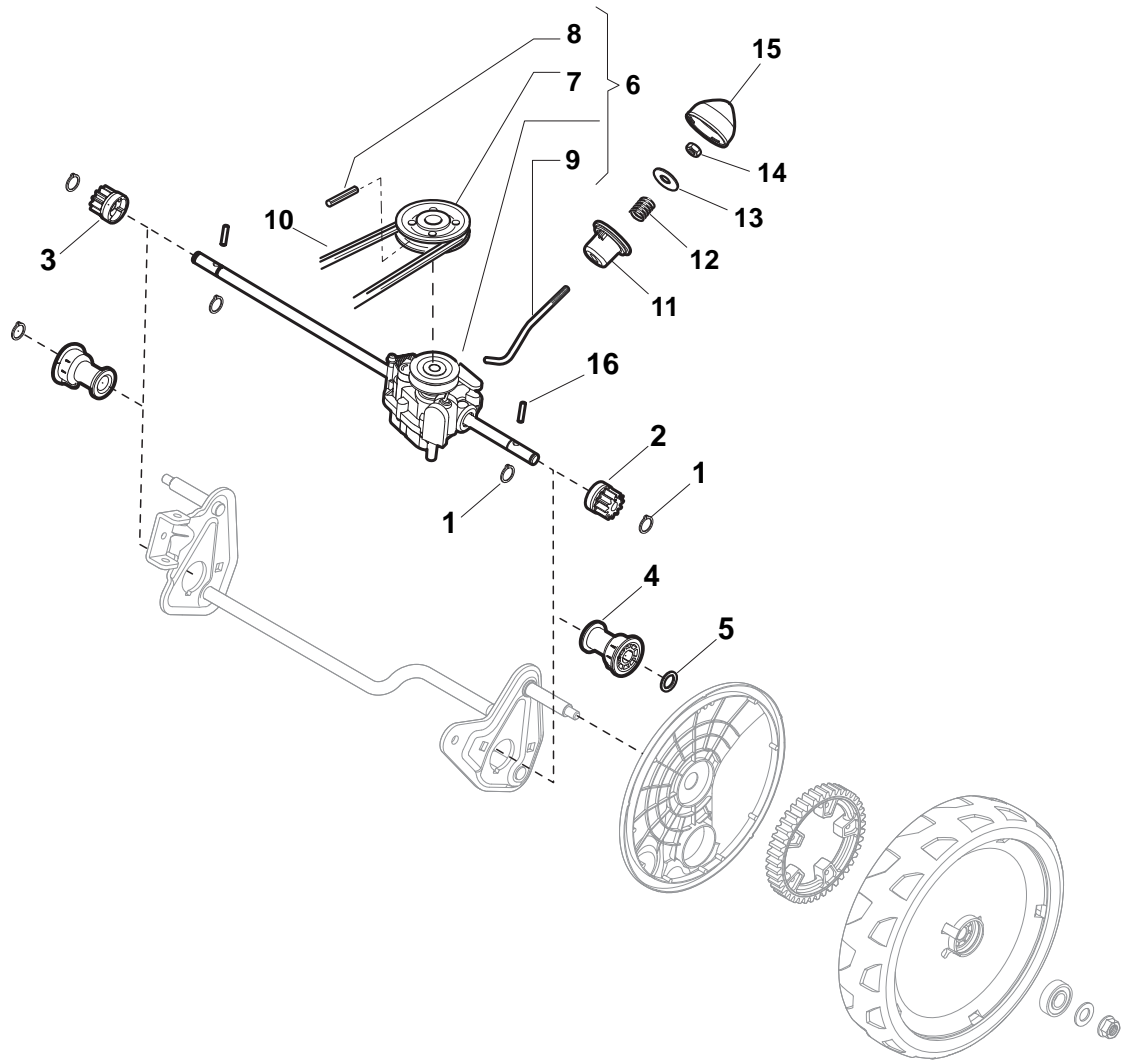
| POSITION | PART NO. | Q.Ty | DESCRIPTION | NOTES |
|----------|-------------|------|--------------------------|-------|
| 1 | 381302853/0 | 1 | Axle, Front Wheels | |
| 2 | 322545142/0 | 2 | Plate | |
| 3 | 112728698/0 | 4 | Screw | |
| 4 | 112521350/0 | 2 | Washer | |
| 5 | 112155000/0 | 2 | Nut | |
| 6 | 112436051/0 | 2 | Plate | |
| 7 | 322869679/0 | 1 | Rod, Height Adjustment | |
| 8 | 122519823/0 | 2 | Pin | |
| 9 | 122446193/0 | 1 | Spring | |
| 11 | 112728698/0 | 4 | Screw | |
| 12 | 322545152/0 | 2 | Plate | |
| 13 | 381302849/0 | 1 | Axle, Rear Wheels | |
| 14 | 122534131/0 | 1 | Pin | |
| 15 | 381003357/0 | 1 | Lever, Height Adjustment | |
| 16 | 122446192/0 | 1 | Spring | |
| 17 | 112154510/0 | 1 | Nut | |
| 18 | 322600240/0 | 2 | Protection, Wheel | |
| 21 | 112521350/0 | 2 | Washer | |
| 22 | 112155000/0 | 2 | Nut | |



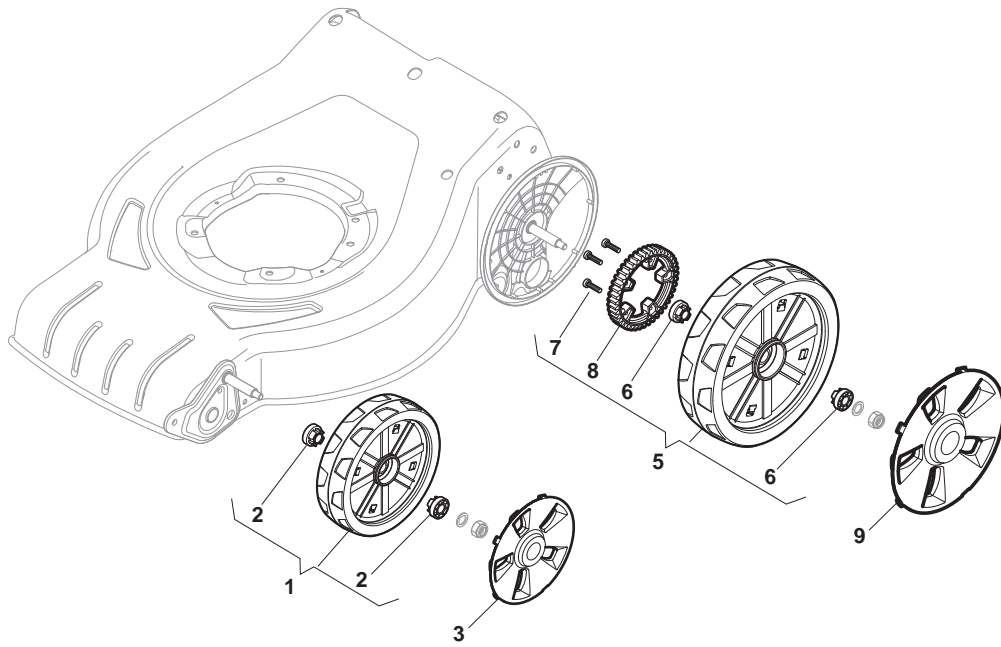
| POSITION | PART NO. | Q.Ty | DESCRIPTION | NOTES |
|----------|-------------|------|-----------------------|-------|
| 1 | 381006785/0 | 1 | Handle, Lower Part | |
| 2 | 112819110/0 | 2 | Screw | |
| 3 | 122671651/0 | 2 | Washer | |
| 4 | 322399840/0 | 2 | Knob, Yellow | |
| 5 | 112293200/0 | 2 | Nut | |
| 7 | 112818900/0 | 2 | Screw | |
| 9 | 322399840/0 | 2 | Knob, Yellow | |
| 10 | 112293200/0 | 2 | Nut | |
| 11 | 112155000/0 | 2 | Nut | |
| 12 | 112521350/0 | 2 | Washer | |
| 13 | 112369500/0 | 2 | Elastic Washer | |
| 14 | 112760605/0 | 2 | Screw | |
| 15 | 381008692/0 | 1 | Screws Outfit, Yellow | |



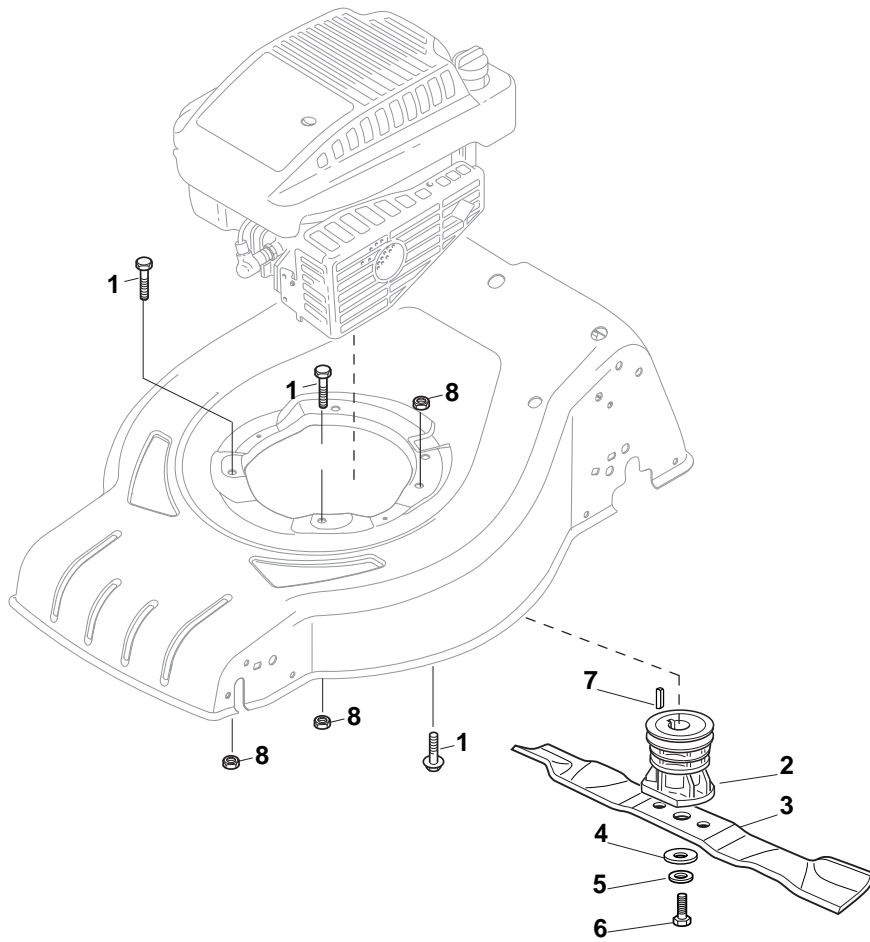
| POSITION | PART NO. | Q.Ty | DESCRIPTION | NOTES |
|----------|-------------|------|----------------------------|-------|
| 1 | 381006740/0 | 1 | Handle, Upper Part | |
| 2 | 112727788/0 | 1 | Screw | |
| 3 | 381030085/0 | 1 | Cable, Rear Drive | |
| 4 | 181005528/0 | 1 | Throttle Cable | |
| 5 | 112154510/0 | 1 | Nut | |
| 6 | 181030089/0 | 1 | Cable, Thread Engine Brake | |
| 7 | 112154510/0 | 1 | Nut | |
| 8 | 112521330/0 | 1 | Washer | |
| 9 | 122430313/0 | 1 | Guide Spring | |
| 10 | 181003369/0 | 1 | Lever, Engine Brake | |
| 11 | 181003371/0 | 1 | Driving Lever | |



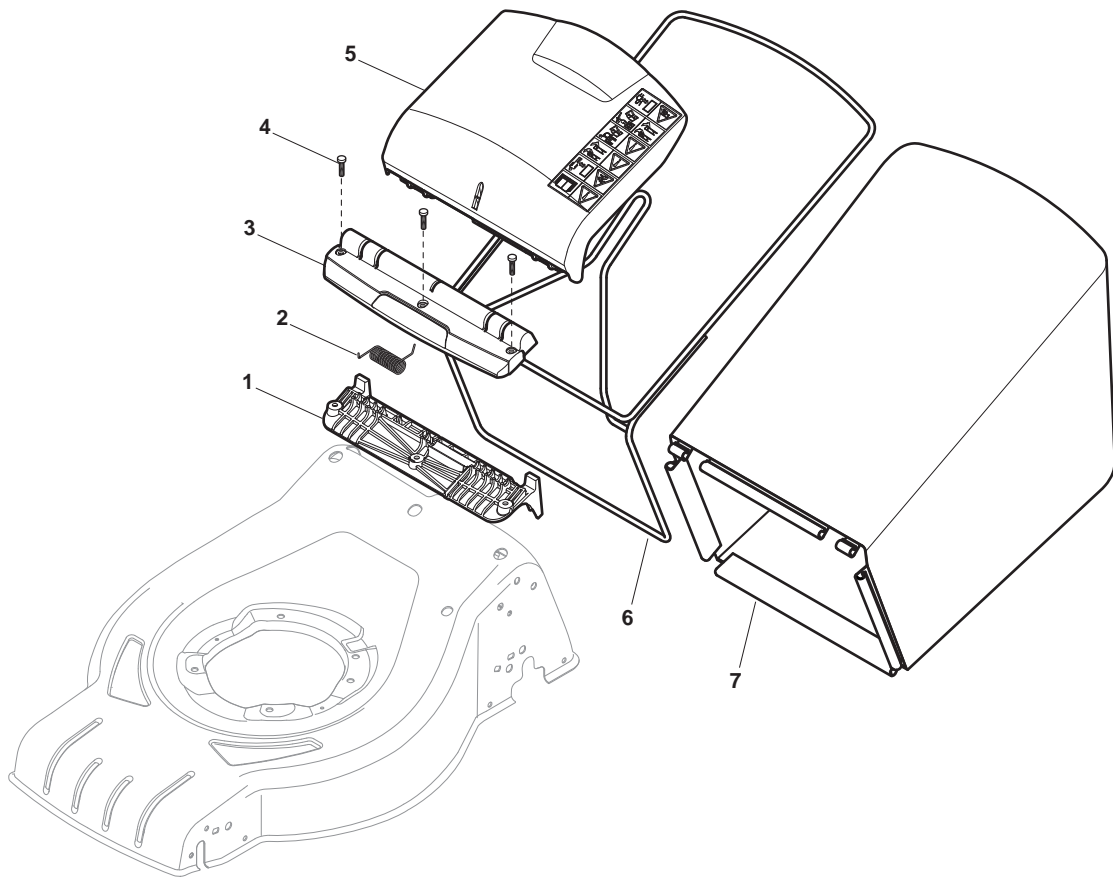
| POSITION | PART NO. | Q.Ty | DESCRIPTION | NOTES |
|----------|-------------|------|----------------|-------|
| 1 | 112608600/0 | 4 | Seeger | |
| 2 | 122570134/0 | 1 | Pinion L | |
| 3 | 122570133/0 | 1 | Pinion R | |
| 4 | 322042067/0 | 2 | Bush | |
| 5 | 112521371/0 | 2 | Washer | |
| 6 | 181003092/0 | 1 | Gear Box | |
| 7 | 122601904/0 | 1 | Pulley | |
| 8 | 112645705/0 | 1 | Pin | |
| 9 | 122033283/0 | 1 | Adjustment Rod | |
| 10 | 135064196/0 | 1 | Belt | |
| 11 | 122041957/1 | 1 | Bush | |
| 12 | 122450063/0 | 1 | Spring | |
| 13 | 322680009/0 | 1 | Washer | |
| 14 | 112154510/0 | 1 | Nut | |
| 15 | 122110230/0 | 1 | Cap | |
| 16 | 122753000/0 | 2 | Pin | |



| POSITION | PART NO. | Q.Ty | DESCRIPTION | NOTES |
|----------|-------------|------|-------------|-------|
| 1 | 381007481/1 | 2 | Wheel Ø 200 | |
| 2 | 322042064/0 | 4 | Bush | |
| 3 | 322110643/0 | 2 | Hub Cap | |
| 5 | 381007486/1 | 2 | Wheel Ø 280 | |
| 6 | 322042064/0 | 4 | Bush | |
| 7 | 112728706/0 | 6 | Screw | |
| 8 | 322120115/0 | 2 | Ring Gear | |
| 9 | 322110644/0 | 2 | Hub Cap | |



| POSITION | PART NO. | Q.Ty | DESCRIPTION | NOTES |
|----------|-------------|------|------------------------------------|-------|
| 1 | 112691100/0 | 2 | Screw | |
| 1 | 112691800/0 | 1 | Screw | |
| 2 | 122465607/3 | 1 | Hub With Pulley, Crankshaft Ø 22.2 | |
| 3 | 181004459/0 | 1 | Blade | |
| 4 | 122160400/0 | 1 | Elastic Washer | |
| 5 | 112523080/0 | 1 | Washer | |
| 6 | 112735698/0 | 1 | Screw | |
| 7 | 112139100/0 | 1 | Feather, Crankshaft Ø 22.2 | |
| 8 | 112154210/0 | 3 | Screw | |



| POSITION | PART NO. | Q.Ty | DESCRIPTION | NOTES |
|----------|-------------|------|------------------|-------|
| 1 | 322785331/0 | 1 | Support | |
| 2 | 122450464/0 | 1 | Spring | |
| 3 | 322109557/0 | 1 | Cover, Grey | |
| 4 | 112728699/0 | 3 | Screw | |
| 5 | 322600216/1 | 1 | Stone-Guard Grey | |
| 6 | 181006409/0 | 1 | Chassis Box | |
| 7 | 181002319/0 | 1 | Box, Fabric | |