

GENUINE SPARE PARTS

BL 510 SGE

- Use GLOBAL GARDEN PRODUCT Genuine Spare Parts specified in the parts list for repair and/or replacement.
- The contents described in the parts list may change due to improvement.
- The drawings of the spare parts are only indicative and might not represent the part in question exactly.
- The indications "right" - "left" - "front" - "rear" refer to the position of the operator when using the machine.
- When placing orders of parts for repair and/or replacement, make sure that the illustrated parts list is the one applying to the machine's year of manufacture, as shown on the identification plate attached to the machine.

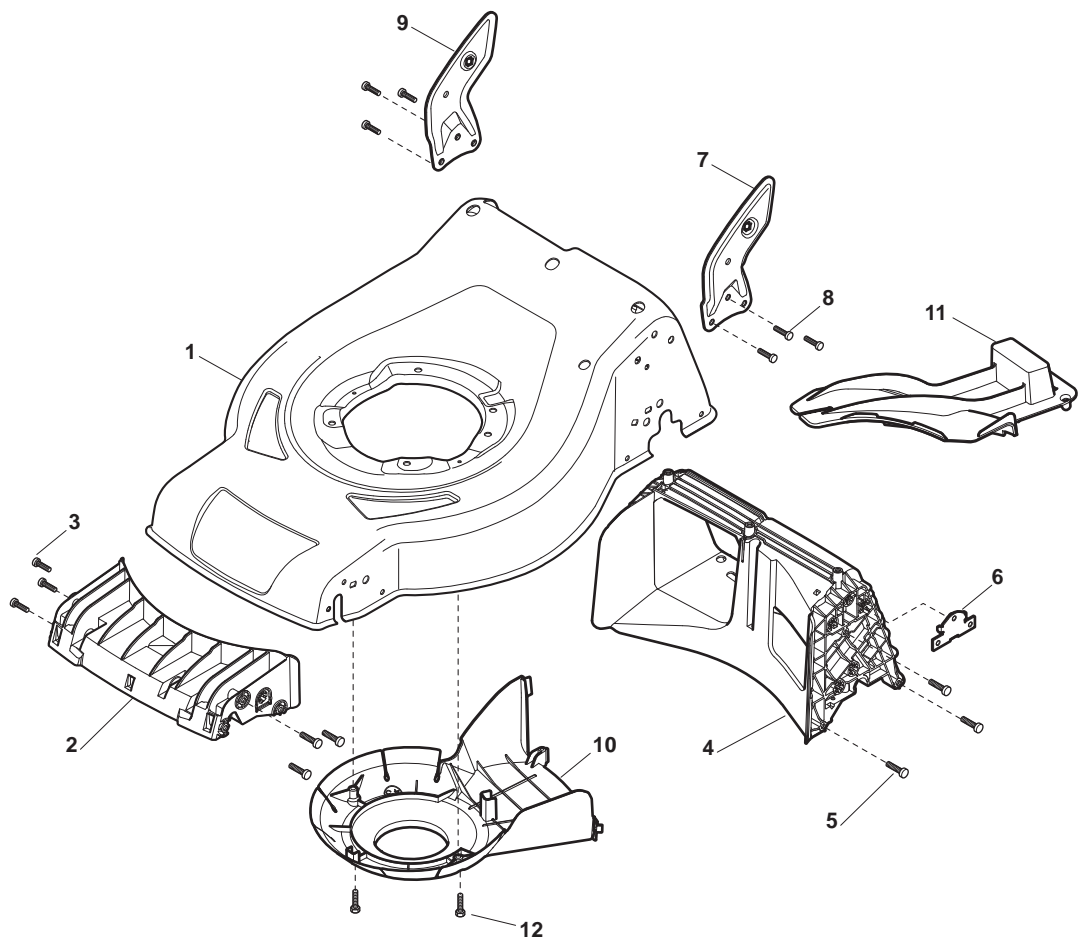
© Copyright 2013 Global Garden Products

All content is subject to copyright by Global Garden Products and may not be reproduced in whole or in part by any means, electronic or otherwise, without prior written approval.

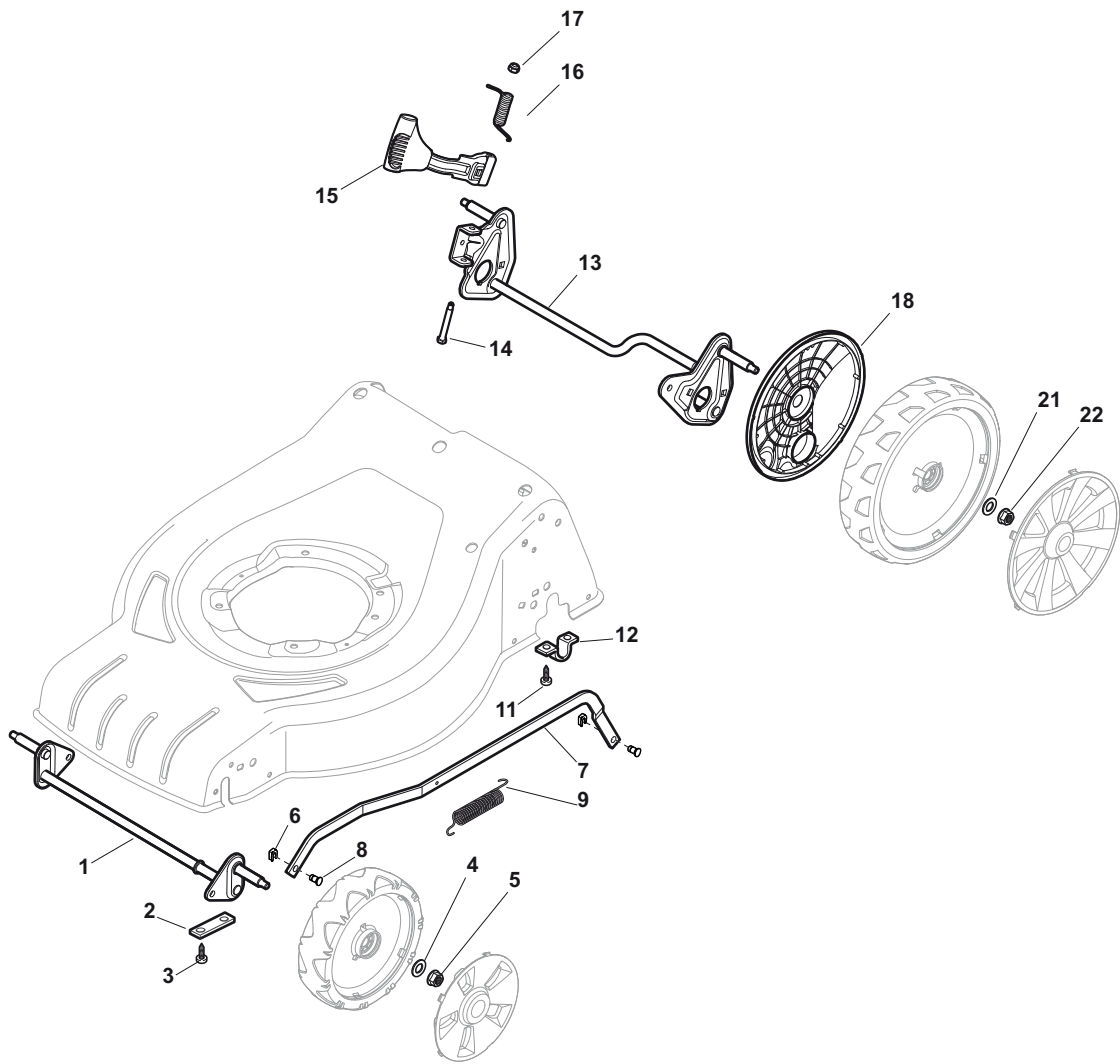
THIS INFORMATION IS NOT INTENDED FOR SALE OR RESALE, AND THIS NOTICE MUST REMAIN ON ALL COPIES.

...THINKING GREEN

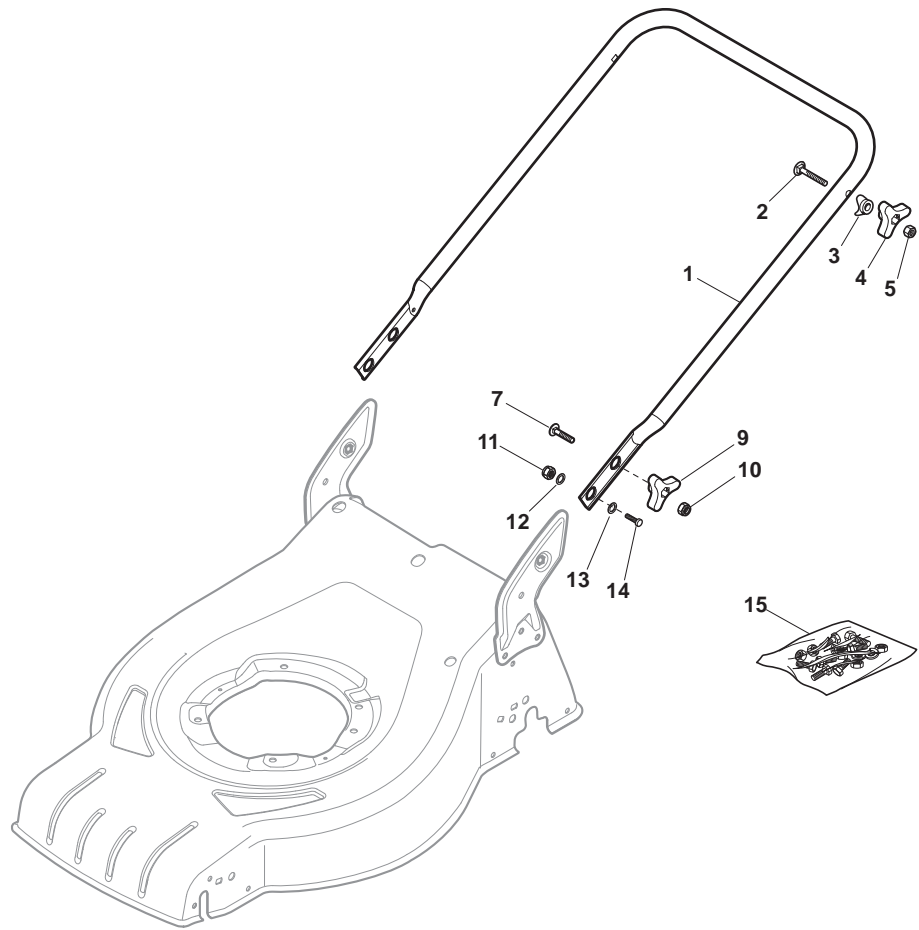




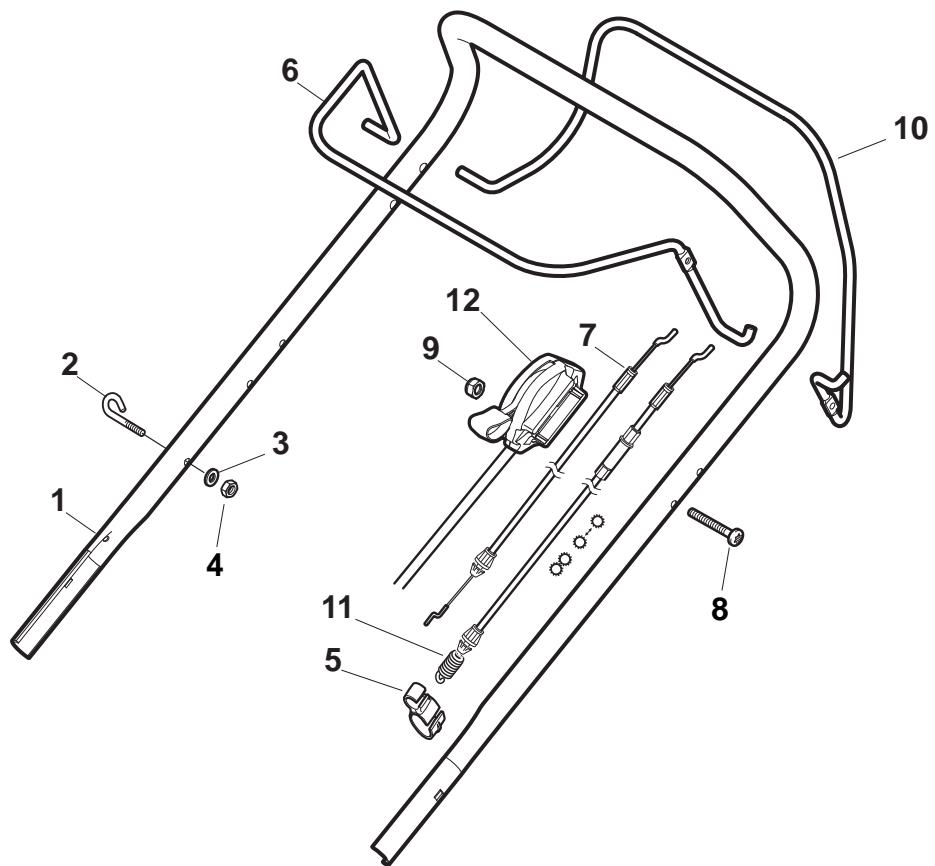
POSITION	PART NO.	Q.Ty	DESCRIPTION	NOTES
1	381004549/0	1	Deck Black	
2	322108308/0	1	Rear Conveyor Assy	
3	112728699/0	6	Screw	
4	322108302/0	1	Rear Conveyor Assy	
5	112728699/0	6	Screw	
6	322545213/0	2	Plate	
7	381005167/0	1	Bracket, L	
8	112727801/0	6	Screw	
9	381005165/0	1	Bracket, R	
10	322060250/0	1	Protection, Belt	
11	322140244/0	1	Mulching Plug	
12	112728530/0	2	Screw	



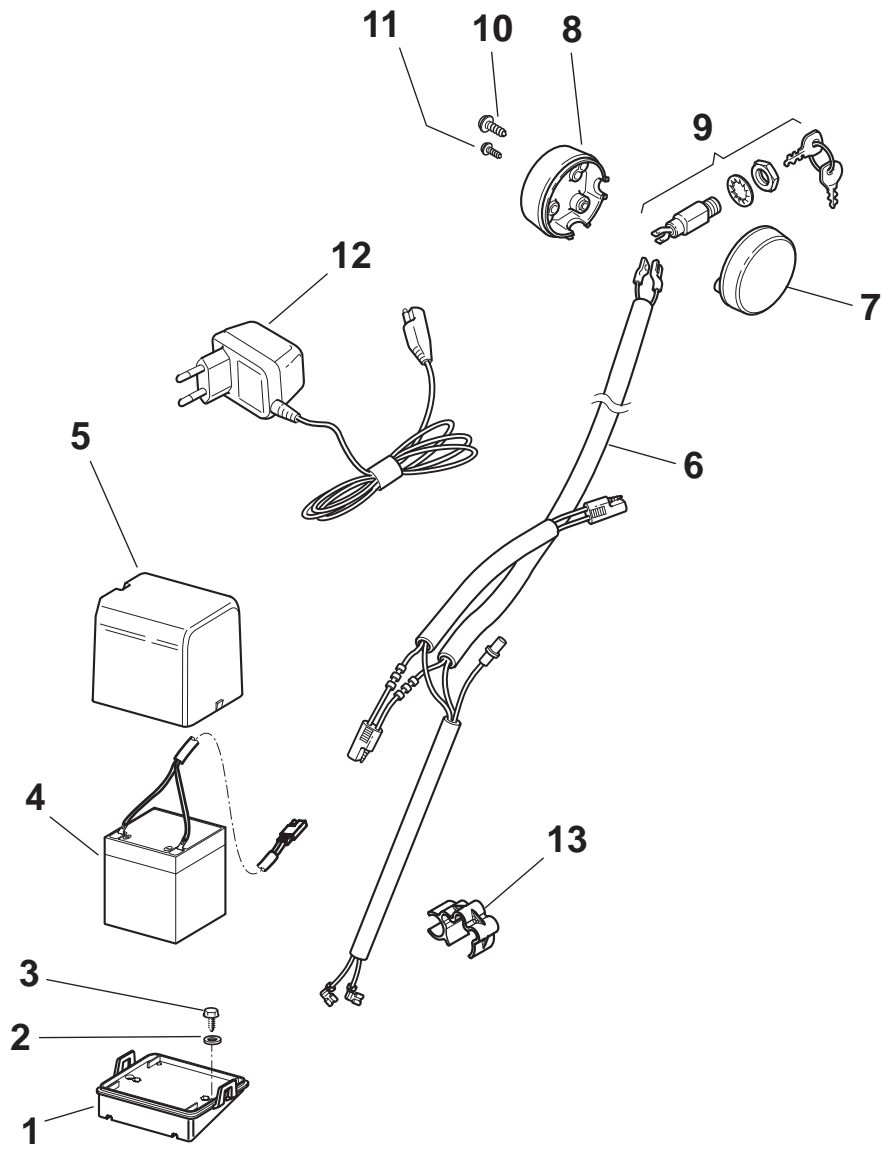
POSITION	PART NO.	Q.Ty	DESCRIPTION	NOTES
1	381302853/0	1	Axle, Front Wheels	
2	322545142/0	2	Plate	
3	112728698/0	4	Screw	
4	112521350/0	2	Washer	
5	112155000/0	2	Nut	
6	112436051/0	2	Plate	
7	322869679/0	1	Rod, Height Adjustment	
8	122519823/0	2	Pin	
9	122446193/0	1	Spring	
11	112728698/0	4	Screw	
12	322545152/0	2	Plate	
13	381302849/0	1	Axle, Rear Wheels	
14	122534131/0	1	Pin	
15	381003357/0	1	Lever, Height Adjustment	
16	122446192/0	1	Spring	
17	112154510/0	1	Nut	
18	322600240/0	2	Protection, Wheel	
21	112521350/0	2	Washer	
22	112155000/0	2	Nut	



POSITION	PART NO.	Q.Ty	DESCRIPTION	NOTES
1	381006785/0	1	Handle, Lower Part	
2	112819110/0	2	Screw	
3	122671651/0	2	Washer	
4	322399840/0	2	Knob, Yellow	
5	112293200/0	2	Nut	
7	112818900/0	2	Screw	
9	322399840/0	2	Knob, Yellow	
10	112293200/0	2	Nut	
11	112155000/0	2	Nut	
12	112521350/0	2	Washer	
13	112369500/0	2	Elastic Washer	
14	112760605/0	2	Screw	
15	381008692/0	1	Screws Outfit, Yellow	

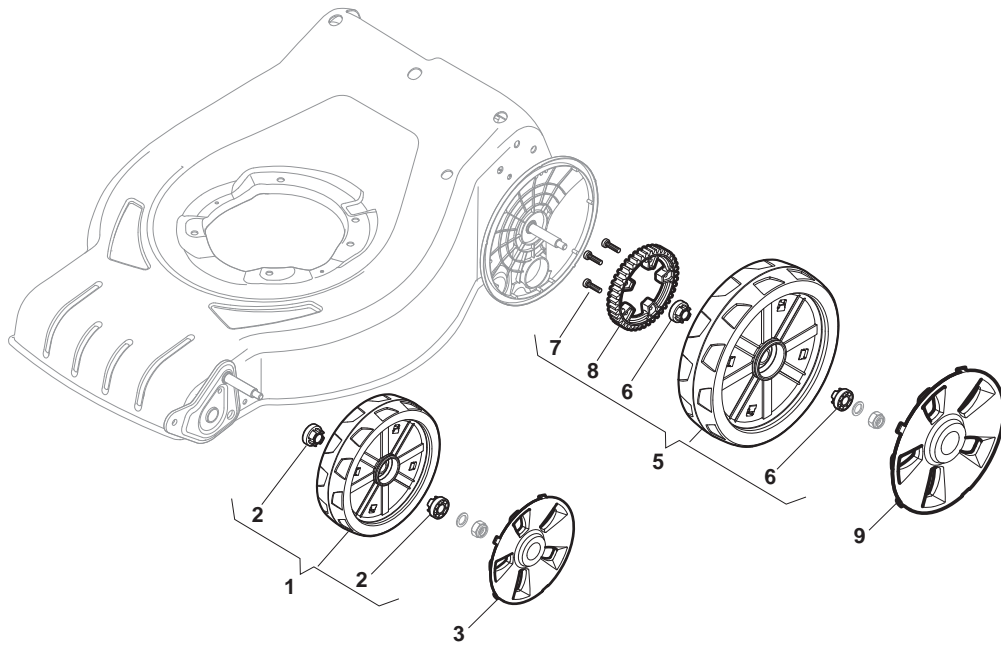


POSITION	PART NO.	Q.Ty	DESCRIPTION	NOTES
1	381006739/1	1	Handle, Upper Part	
1	381006745/1	1	Handle, Upper Part with sponge handgrip	
2	122430313/0	1	Guide Spring	
3	112521330/0	1	Washer	
4	112154510/0	1	Nut	
5	118390020/0	1	Fairlead	
6	381003365/0	1	Lever, Engine Brake Yellow	
7	181030087/0	1	Cable, Thread Engine Brake	
8	112727788/0	1	Screw	
9	112154510/0	1	Nut	
10	381003366/0	1	Lever, Driving Yellow	
11	381030051/0	1	Cable, Rear Drive	
12	181005512/0	1	Throttle Cable	

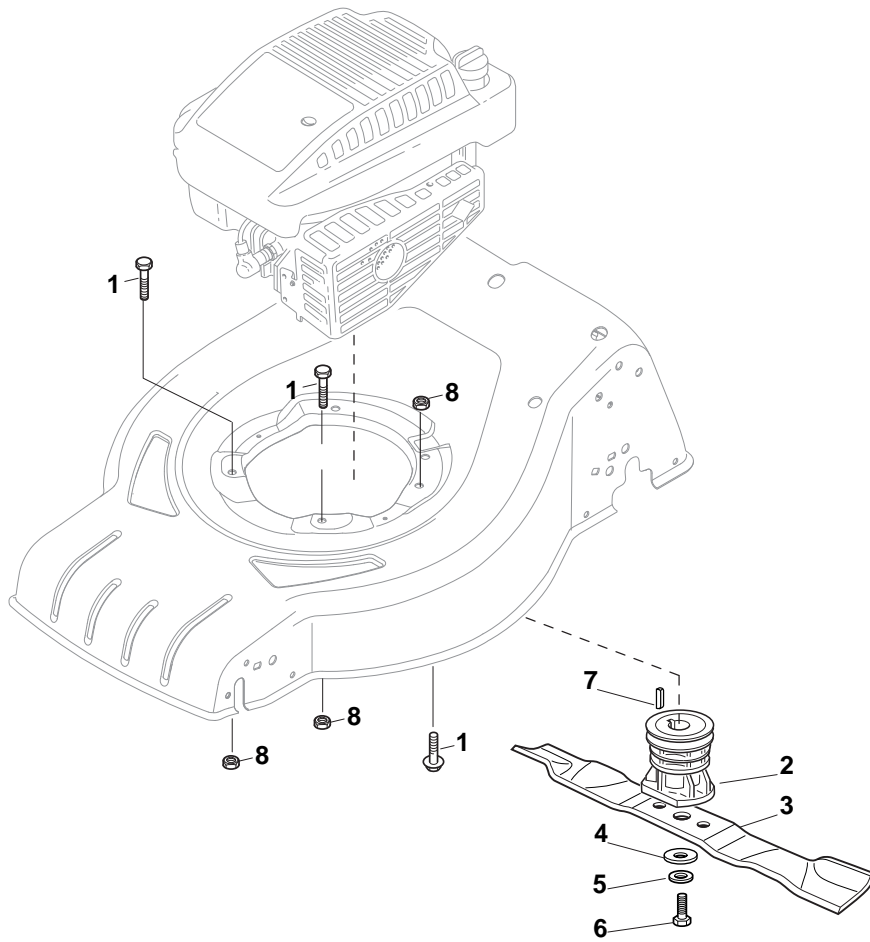


POSITION	PART NO.	Q.Ty	DESCRIPTION	NOTES
1	322785123/0	1	Support, Battery	
2	112521310/0	2	Washer	
3	112731590/0	2	Screw	
4	118120052/0	1	Battery	
5	322109530/0	1	Cover	
6	118204192/3	1	Cable, Start	
7	322722800/0	1	R Protection	
8	322722801/0	1	L Protection	
9	118450050/0	1	Switch	
10	112728691/0	1	Screw	
11	112728702/0	2	Screw	
12	118204120/0	1	Battery Charger	CE
12	118204121/0	1	Battery Charger	UK
13	118390021/0	1	Fairlead	

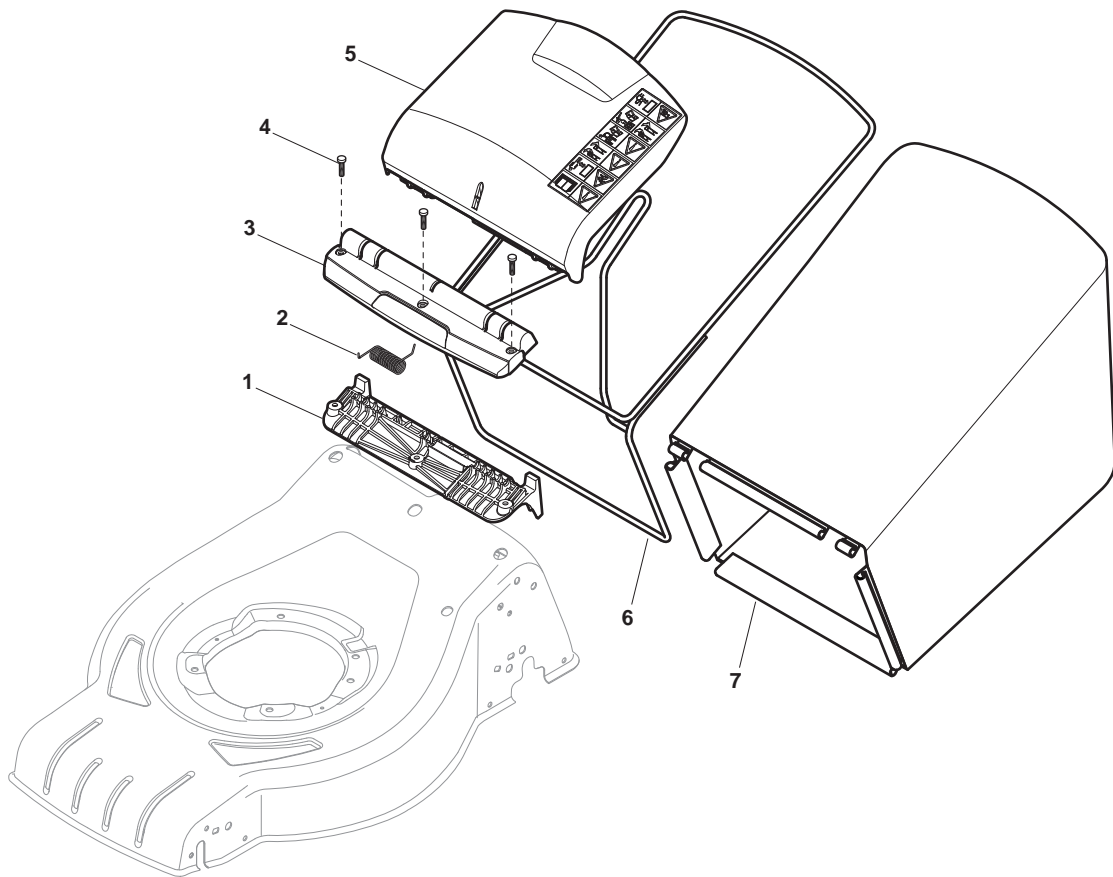
POSITION	PART NO.	Q.Ty	DESCRIPTION	NOTES
1	112608600/0	4	Seeger	
2	122570134/0	1	Pinion L	
3	122570133/0	1	Pinion R	
4	322042067/0	2	Bush	
5	112521371/0	2	Washer	
6	181003092/0	1	Gear Box	
7	122601904/0	1	Pulley	
8	112645705/0	1	Pin	
9	122033283/0	1	Adjustment Rod	
10	135064196/0	1	Belt	
11	122041957/1	1	Bush	
12	122450063/0	1	Spring	
13	322680009/0	1	Washer	
14	112154510/0	1	Nut	
15	122110230/0	1	Cap	
16	122753000/0	2	Pin	



POSITION	PART NO.	Q.Ty	DESCRIPTION	NOTES
1	381007481/1	2	Wheel Ø 200	
2	322042064/0	4	Bush	
3	322110643/0	2	Hub Cap	
5	381007486/1	2	Wheel Ø 280	
6	322042064/0	4	Bush	
7	112728706/0	6	Screw	
8	322120115/0	2	Ring Gear	
9	322110644/0	2	Hub Cap	



POSITION	PART NO.	Q.Ty	DESCRIPTION	NOTES
1	112691115/0	3	Screw	
2	122465607/3	1	Hub With Pulley, Crankshaft Ø 22.2	
3	181004459/0	1	Blade	
4	122160400/0	1	Elastic Washer	
5	112523080/0	1	Washer	
6	112735698/0	1	Screw	
7	112139100/0	1	Feather, Crankshaft Ø 22.2	
8	112154210/0	3	Screw	



POSITION	PART NO.	Q.Ty	DESCRIPTION	NOTES
1	322785331/0	1	Support	
2	122450464/0	1	Spring	
3	322109557/0	1	Cover, Grey	
4	112728699/0	3	Screw	
5	322600216/1	1	Stone-Guard Grey	
6	181006409/0	1	Chassis Box	
7	181002319/0	1	Box, Fabric	