

ALPINK

www.alpinagarden.com

Parts Catalogue

BL 440 SB

299264624/A15 - Season 2016

- Use GLOBAL GARDEN PRODUCT Genuine Spare Parts specified in the parts list for repair and/or replacement.
- The contents described in the parts list may change due to improvement.
- The drawings of the spare parts are only indicative and might not represent the part in question exactly.
- The indications "right" - "left" - "front" - "rear" refer to the position of the operator when using the machine.
- When placing orders of parts for repair and/or replacement, make sure that the illustrated parts list is the one applying to the machine's year of manufacture, as shown on the identification plate attached to the machine.

© Copyright 2016 Global Garden Products

All content is subject to copyright by Global Garden Products and may not be reproduced in whole or in part by any means, electronic or otherwise, without prior written approval.

THIS INFORMATION IS NOT INTENDED FOR SALE OR RESALE, AND THIS NOTICE MUST REMAIN ON ALL COPIES.



Engineered to amaze you

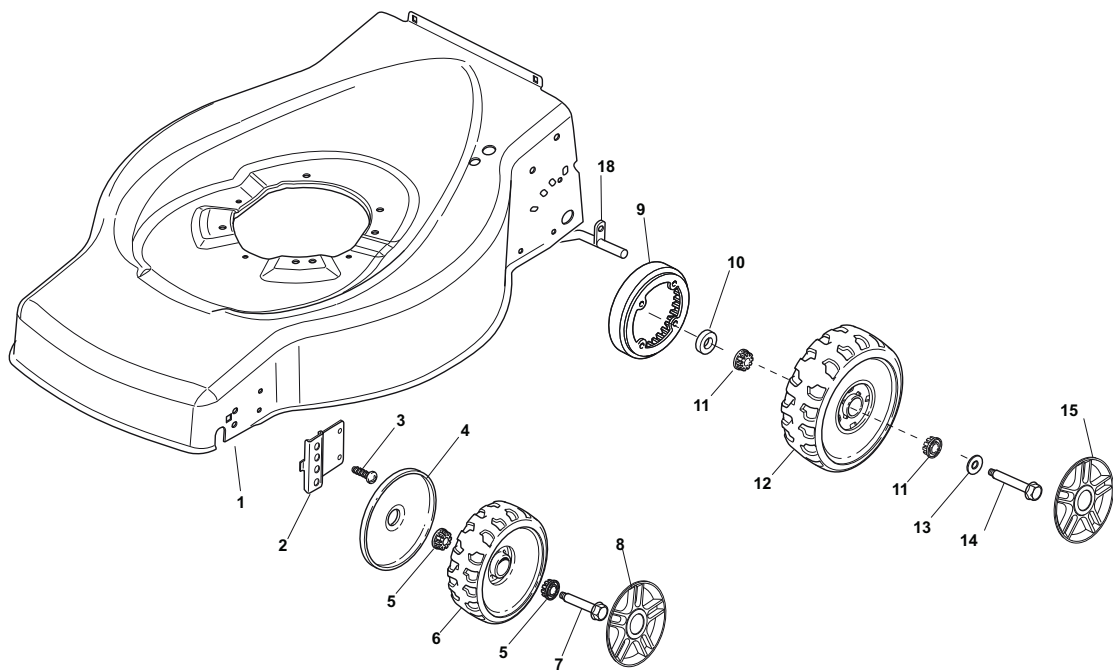


Fig.	Q.ty	Part No	Description	Notes
1	1	381002652/0	Red Deck	
2	2	322551523/0	Front Plate	
3	4	112728686/0	Screw	
4	2	322600095/0	Protection, Wheel	
5	4	322034515/1	Bushing	
6	2	322686091/1	Wheel	
7	2	122524340/0	Pin	
8	2	322110491/0	Hub Cap Grey	Grey
9	2	322120109/0	Wheels Crown	
10	2	322170622/0	Spacer	
11	4	122034508/0	Bushing	
12	2	322686093/0	Wheel	
13	2	112523050/0	Washer	
14	2	112735599/0	Screw	
15	2	322110492/0	Hub Cap Grey	Grey
18	1	122033393/0	Rear Wheel Axle	

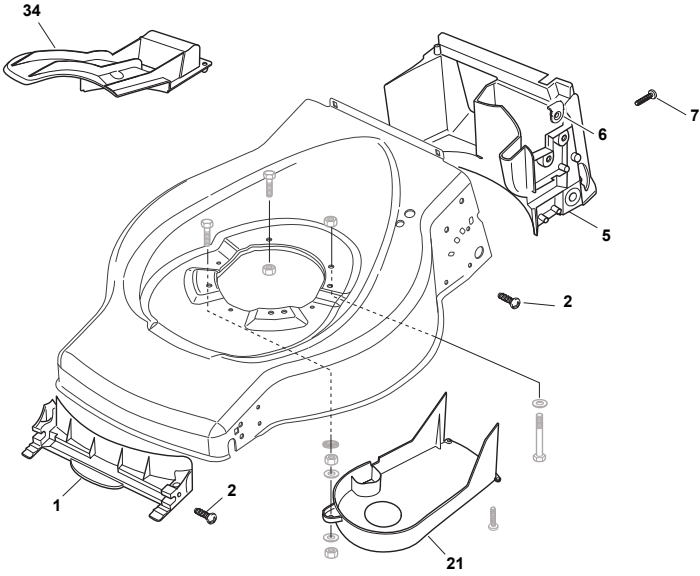


Fig.	Q.ty	Part No	Description	Notes
1	1	322108271/0	Front Conveyor Assy	
2	6	112728686/0	Screw	
5	1	322108272/2	Rear Conveyor Assy	
6	4	322545189/0	Plate	
7	2	112728686/0	Screw	
21	1	322060212/0	Protection, Belt	
34	1	322140226/0	Deflector	

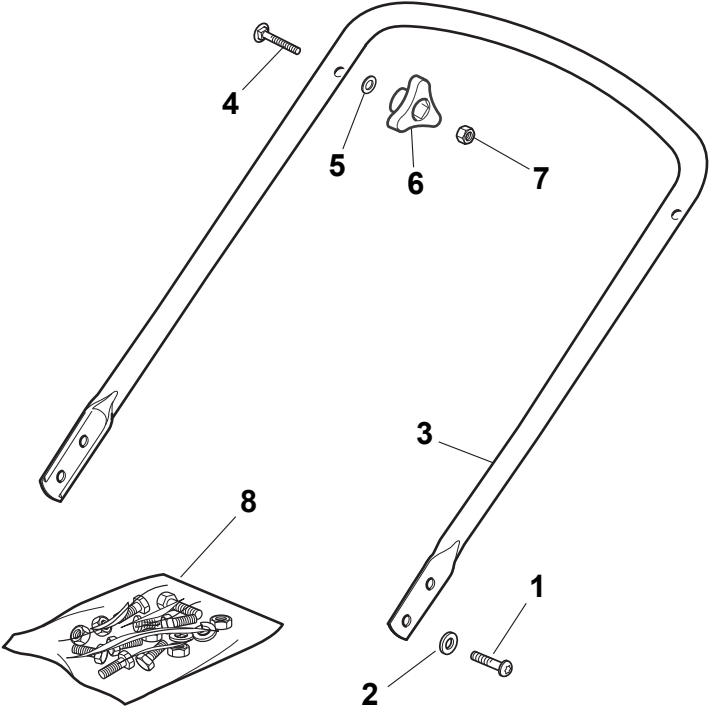


Fig.	Q.ty	Part No	Description	Notes
1	4	112760605/0	Screw	
2	4	112521350/0	Washer	
3	1	381006570/0	Handle Lower Part	Black
4	1	112819120/0	Screw	
5	2	122671651/0	Washer	
6	2	122399900/0	Knob	
7	2	112293200/0	Nut	
8	1	381008696/0	Outfit, Screws	

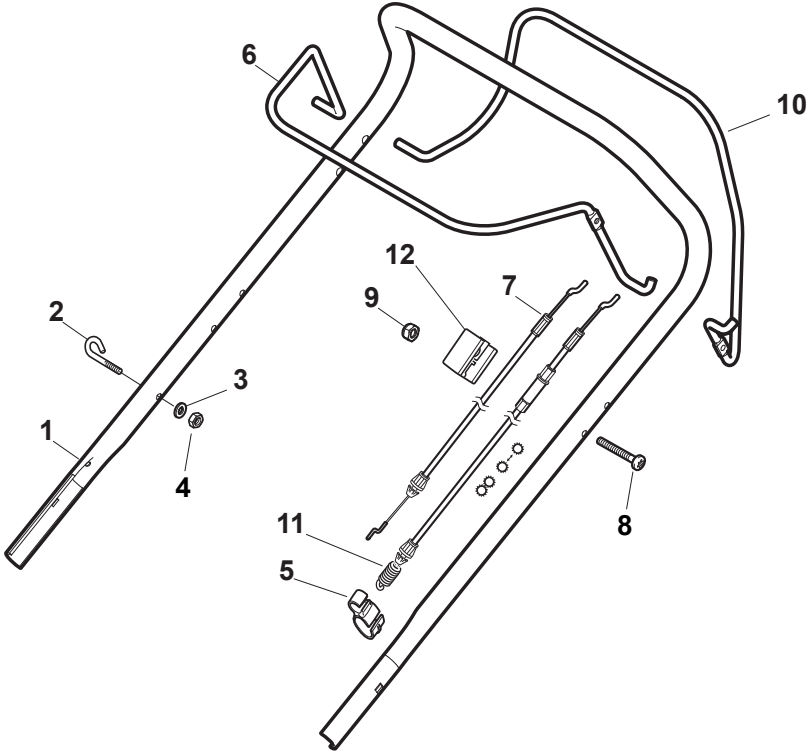


Fig.	Q.ty	Part No	Description	Notes
1	1	381006739/1	Handle, Upper Part	Black
1	1	381006745/1	Handle, Upper Part with sponge handgrip	Black with sponge handgrip
2	1	122430313/0	Guide Spring	
3	1	112521330/0	Washer	
4	1	112154510/0	Nut	
5	1	118390020/0	Conduit Clip Caproeuope (28-1495)	
6	1	381003365/0	Lever, Engine Brake Yellow	Yellow
7	1	181030053/0	Cable, Thread Engine Brake	Honda / B&S Engine
8	1	112727783/0	Screw	
9	1	112154510/0	Nut	
10	1	381003366/0	Lever, Driving Yellow	Yellow
11	1	381030082/0	Cable Rear Drive	
12	1	322551640/0	Plate	

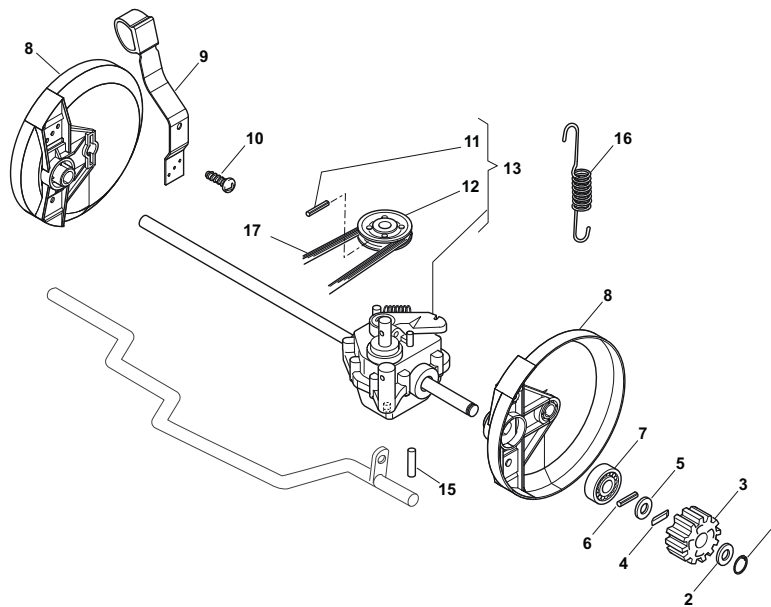
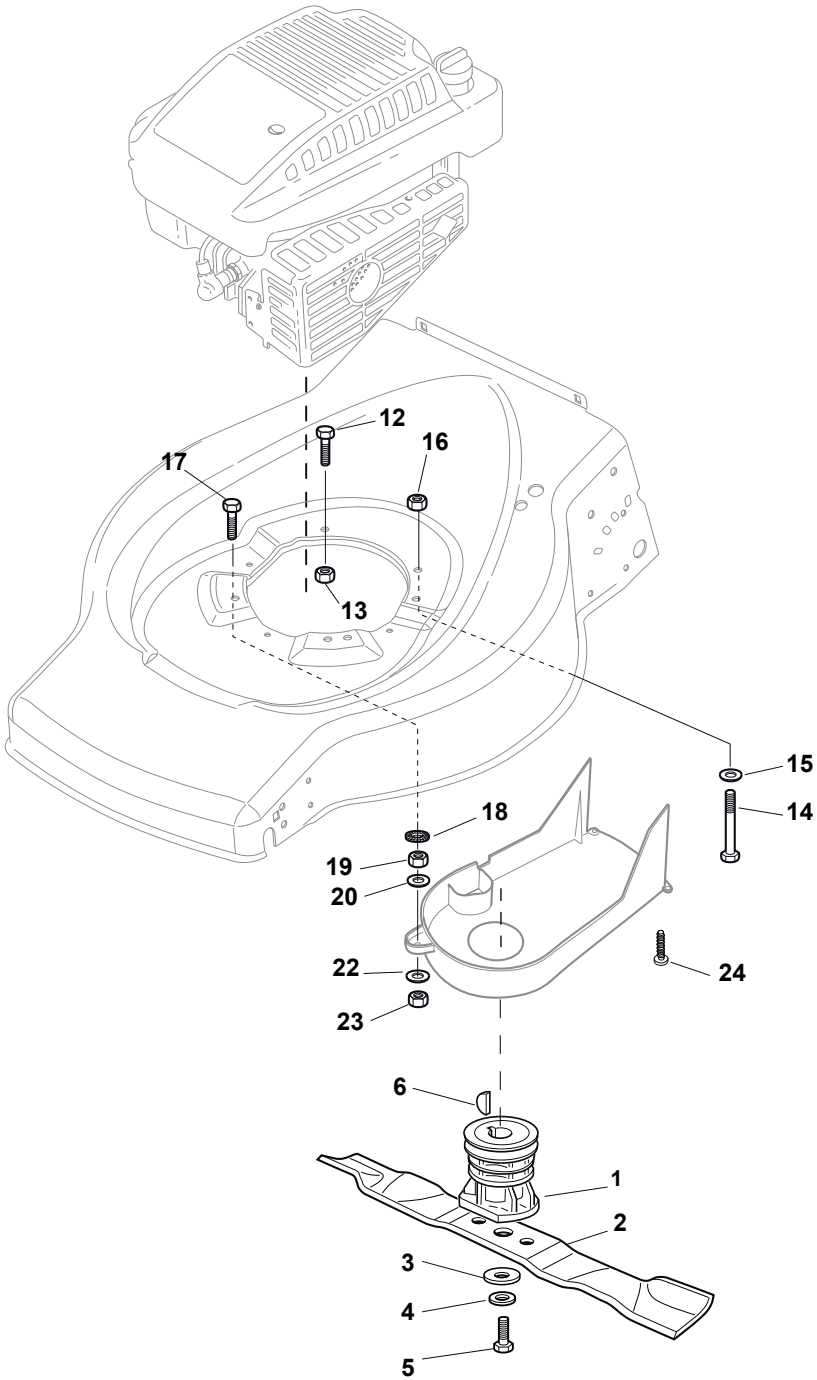


Fig.	Q.ty	Part No	Description	Notes
1	2	112608520/0	Seeger	
2	2	322160520/0	Dust Cover Disc	
3	2	122570125/0	Pinion	
4	2	122076645/0	Key	
5	2	322160520/0	Dust Cover Disc	
6	2	112622620/0	Pin	
7	2	122122202/0	Bearing	
8	2	322600106/1	Protection, Wheel	
9	1	381003303/0	Lever, Height Adjustment	
10	2	112728689/0	Screw	
11	1	112713801/0	Dowel	
12	1	122601909/0	Pulley	
13	1	181003093/1	Gear Box	
15	2	122753001/0	Pin	
16	1	122450438/0	Spring	
17	1	135063750/0	Belt	



BL 440 SB



Petrol Lawn Mower Blade

Issue 2 - 2016

Fig.	Q.ty	Part No	Description	Notes
1	1	122465607/3	Hub With Pulley, Crankshaft Ø 22.2	
2	1	181004365/3	Mulching Blade	
3	1	122160400/0	Elastic Disc	
4	1	112523080/0	Washer	
5	1	112735698/0	Screw	
6	1	112139100/0	Key	
12	2	112793701/0	Screw	
13	2	112293201/0	Nut	
14	1	112691800/0	Screw	Not for Honda Engine
15	1	112521350/0	Washer	
16	1	112155000/0	Nut	
17	3	112775000/0	Screw	
18	1	112540060/0	Washer	
19	1	112293200/0	Nut	
20	1	122671651/0	Washer	
22	1	325670011/0	Antifriction Washer	
23	1	112155000/0	Nut	
24	2	112728686/0	Screw	

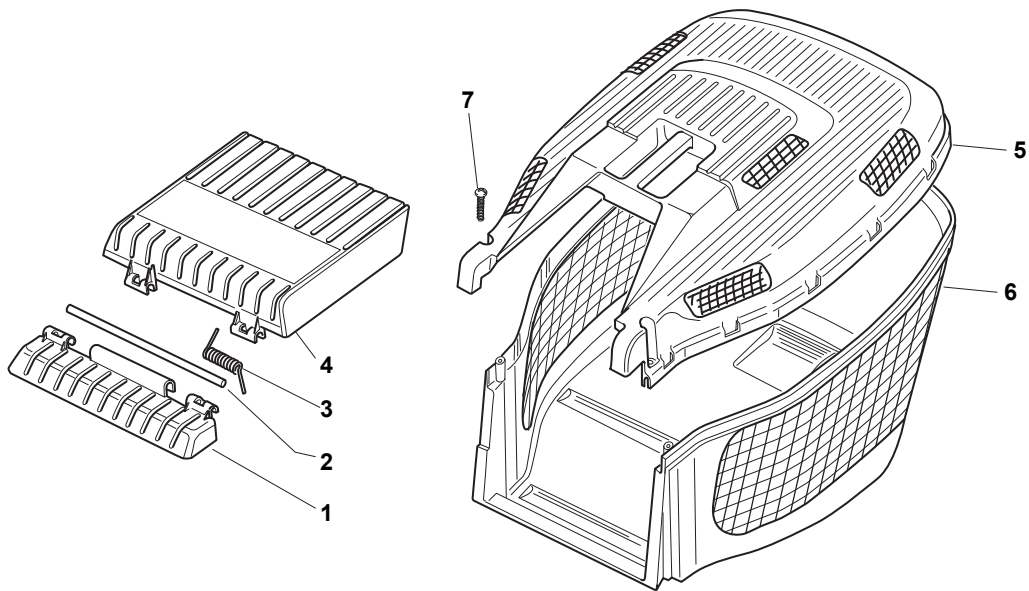


Fig.	Q.ty	Part No	Description	Notes
4	1	322600100/2	Stone-Guard	Yellow
1	1	322486400/0	Stone Guard Support	
2	1	122517858/0	Pin	
3	1	122450431/0	Spring	
4	1	322600099/2	Stone-Guard	Black
5	1	322486122/0	Grasscatcher Upper Part Black	
6	1	322486128/0	Grassbox Lower Part	
7	2	112728686/0	Screw	

code	pos.	q.ty	page				
112139100/0	6	1	p. 13	322486122/0	5	1	p. 15
112154510/0	4	1	p. 9	322486128/0	6	1	p. 15
112154510/0	9	1	p. 9	322486400/0	1	1	p. 15
112155000/0	16	1	p. 13	322545189/0	6	4	p. 5
112155000/0	23	1	p. 13	322551523/0	2	2	p. 3
112293200/0	7	2	p. 7	322551640/0	12	1	p. 9
112293200/0	19	1	p. 13	322600095/0	4	2	p. 3
112293201/0	13	2	p. 13	322600099/2	4	1	p. 15
112521330/0	3	1	p. 9	322600100/2	4	1	p. 15
112521350/0	2	4	p. 7	322600106/1	8	2	p. 11
112521350/0	15	1	p. 13	322686091/1	6	2	p. 3
112523050/0	13	2	p. 3	322686093/0	12	2	p. 3
112523080/0	4	1	p. 13	325670011/0	22	1	p. 13
112540060/0	18	1	p. 13	381002652/0	1	1	p. 3
112608520/0	1	2	p. 11	381003303/0	9	1	p. 11
112622620/0	6	2	p. 11	381003365/0	6	1	p. 9
112691800/0	14	1	p. 13	381003366/0	10	1	p. 9
112713801/0	11	1	p. 11	381006570/0	3	1	p. 7
112727783/0	8	1	p. 9	381006739/1	1	1	p. 9
112728686/0	2	6	p. 5	381006745/1	1	1	p. 9
112728686/0	3	4	p. 3	381008696/0	8	1	p. 7
112728686/0	7	2	p. 5	381030082/0	11	1	p. 9
112728686/0	7	2	p. 15				
112728686/0	24	2	p. 13				
112728689/0	10	2	p. 11				
112735599/0	14	2	p. 3				
112735698/0	5	1	p. 13				
112760605/0	1	4	p. 7				
112775000/0	17	3	p. 13				
112793701/0	12	2	p. 13				
112819120/0	4	1	p. 7				
118390020/0	5	1	p. 9				
122033393/0	18	1	p. 3				
122034508/0	11	4	p. 3				
122076645/0	4	2	p. 11				
122122202/0	7	2	p. 11				
122160400/0	3	1	p. 13				
122399900/0	6	2	p. 7				
122430313/0	2	1	p. 9				
122450431/0	3	1	p. 15				
122450438/0	16	1	p. 11				
122465607/3	1	1	p. 13				
122517858/0	2	1	p. 15				
122524340/0	7	2	p. 3				
122570125/0	3	2	p. 11				
122601909/0	12	1	p. 11				
122671651/0	5	2	p. 7				
122671651/0	20	1	p. 13				
122753001/0	15	2	p. 11				
135063750/0	17	1	p. 11				
181003093/1	13	1	p. 11				
181004365/3	2	1	p. 13				
181030053/0	7	1	p. 9				
322034515/1	5	4	p. 3				
322060212/0	21	1	p. 5				
322108271/0	1	1	p. 5				
322108272/2	5	1	p. 5				
322110491/0	8	2	p. 3				
322110492/0	15	2	p. 3				
322120109/0	9	2	p. 3				
322140226/0	34	1	p. 5				
322160520/0	2	2	p. 11				
322160520/0	5	2	p. 11				
322170622/0	10	2	p. 3				