

ALPINK

www.alpinagarden.com

Parts Catalogue

BL 510 SHLM

295546034/A16 - Season 2016

- Use GLOBAL GARDEN PRODUCT Genuine Spare Parts specified in the parts list for repair and/or replacement.
- The contents described in the parts list may change due to improvement.
- The drawings of the spare parts are only indicative and might not represent the part in question exactly.
- The indications "right" - "left" - "front" - "rear" refer to the position of the operator when using the machine.
- When placing orders of parts for repair and/or replacement, make sure that the illustrated parts list is the one applying to the machine's year of manufacture, as shown on the identification plate attached to the machine.

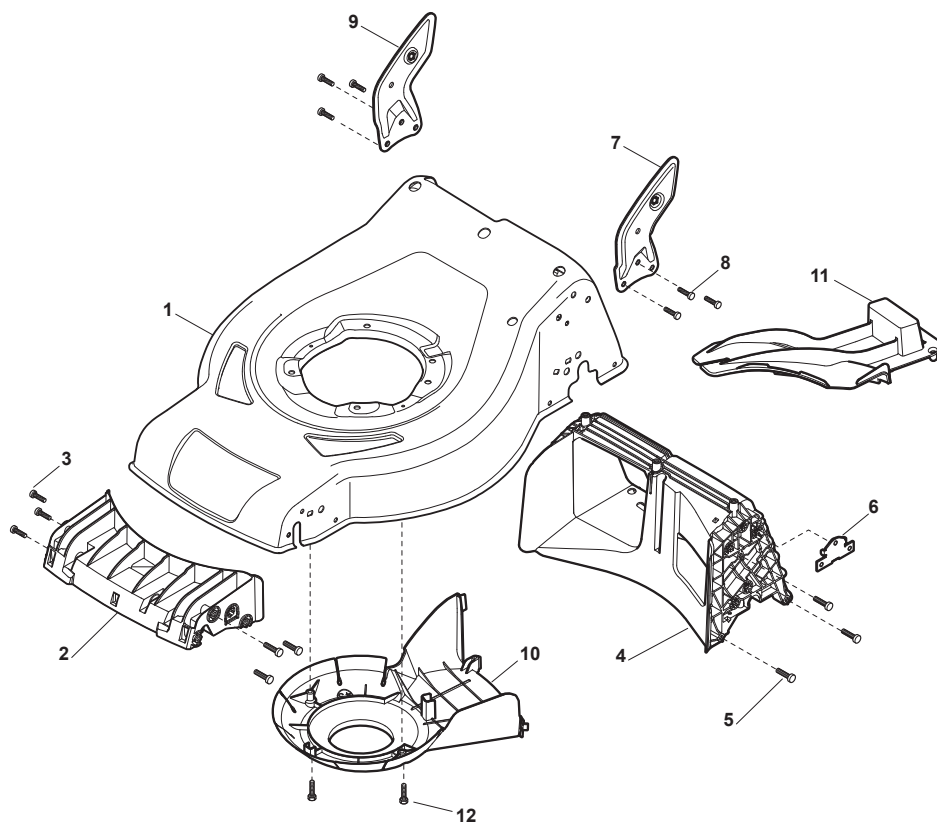
© Copyright 2016 Global Garden Products

All content is subject to copyright by Global Garden Products and may not be reproduced in whole or in part by any means, electronic or otherwise, without prior written approval.

THIS INFORMATION IS NOT INTENDED FOR SALE OR RESALE, AND THIS NOTICE MUST REMAIN ON ALL COPIES.



Engineered to amaze you



BL 510 SHLM



Petrol Lawn Mower Deck

Issue 7 - 2016

Fig.	Q.ty	Part No	Description	Notes
1	1	381004549/0	Black Deck	
2	1	322108308/0	Rear Conveyor Assy	
3	6	112728699/0	Screw	
4	1	322108302/0	Rear Conveyor Assy	
5	6	112728699/0	Screw	
6	2	322545213/0	Plate	
7	1	381005167/0	Left Bracket	
8	6	112727801/0	Screw	
9	1	381005165/0	Right Bracket	
10	1	322060250/0	Belt Protection	
11	1	322140244/0	Mulching Plug	
12	2	112728530/0	Screw	

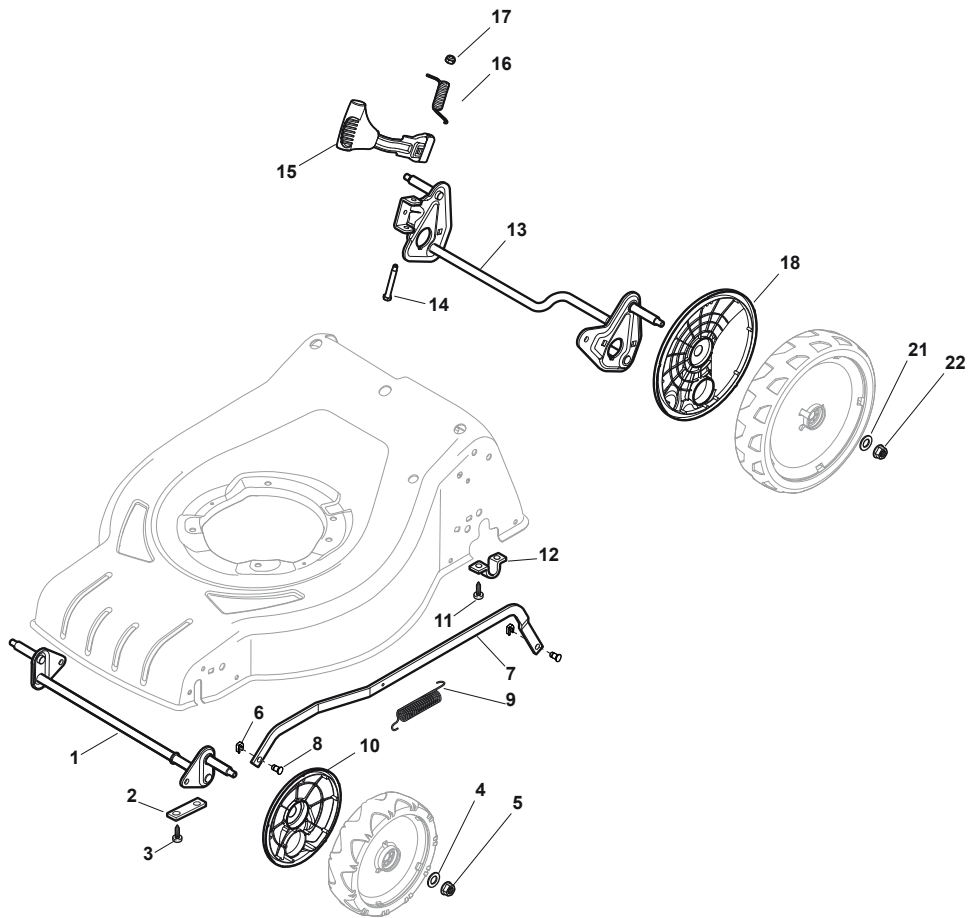


Fig.	Q.ty	Part No	Description	Notes
1	1	381302853/0	Front Wheel Axle	
2	2	322545142/0	Plate	
3	4	112728698/0	Screw	
4	2	112521350/0	Washer	
5	2	112155000/0	Nut	
6	2	112436051/0	Plate	
7	1	322869679/0	Rod, Height Adjustment	
8	2	122519823/0	Pin	
9	1	122446193/0	Spring	
10	2	322600145/0	Protection, Wheel	D. 200
11	4	112728698/0	Screw	
12	2	322545152/0	Plate	
13	1	381302849/0	Rear Wheel Axle	
14	1	122534131/0	Pin	
15	1	381003357/0	Wheels Rear Adj. Lever	
16	1	122446192/0	Spring	
17	1	112154510/0	Nut	
18	2	322600240/0	Protection, Wheel	
21	2	112521350/0	Washer	
22	2	112155000/0	Nut	

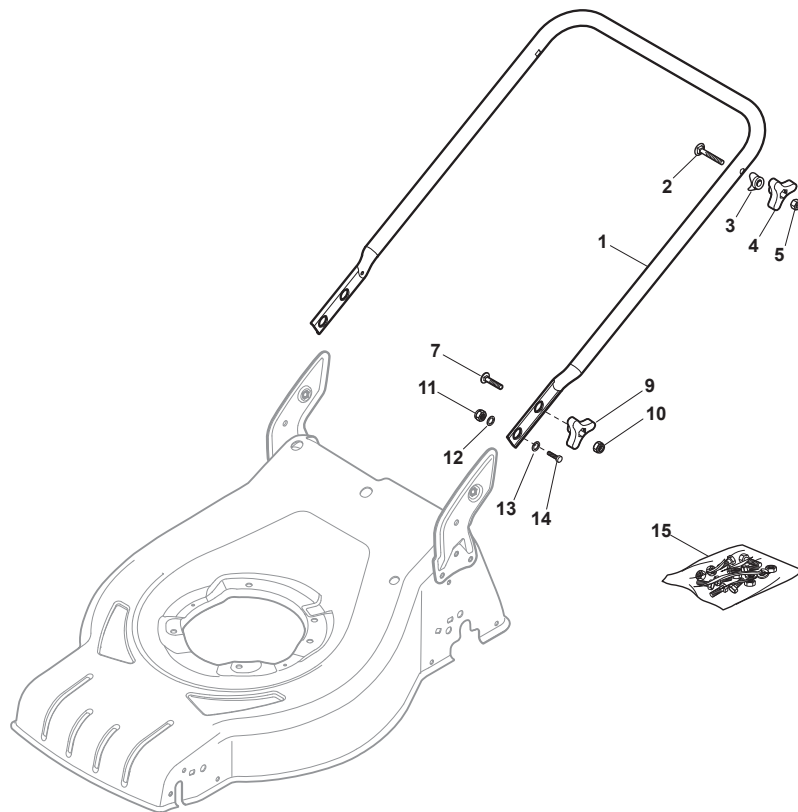


Fig.	Q.ty	Part No	Description	Notes
2	2	112819110/0	Screw	
3	2	122671651/0	Washer	
4	2	322399840/0	Yellow Knob	Yellow
5	2	112293200/0	Nut	
7	2	112818900/0	Screw	
9	2	322399840/0	Yellow Knob	Yellow
10	2	112293200/0	Nut	
11	2	112155000/0	Nut	
12	2	112521350/0	Washer	
13	2	112369500/0	Elastic Washer	
14	2	112760605/0	Screw	
15	1	381008692/0	Outfit, Screws	Yellow
1	1	381006785/0	Handle Lower Part	Black

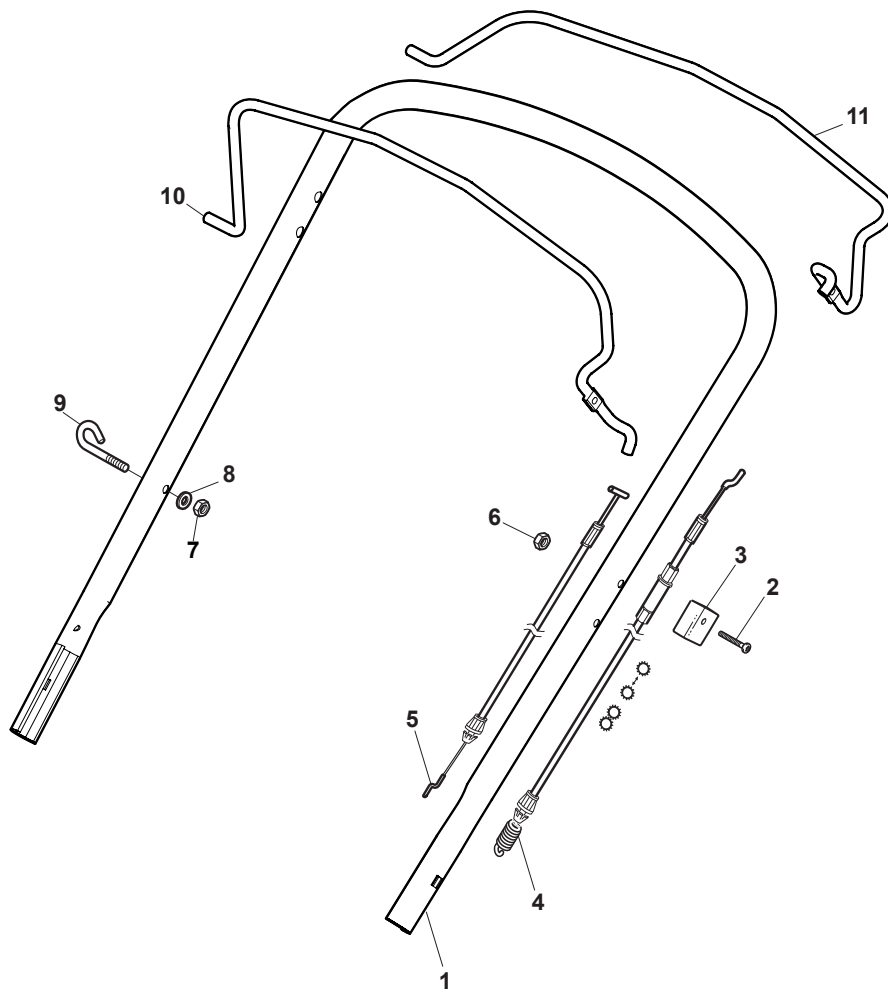


Fig.	Q.ty	Part No	Description	Notes
1	1	381006740/0	Handle, Upper Part	
2	1	112727783/0	Screw	
3	1	322551640/0	Plate	
4	1	381030085/0	Cable Rear Drive	
5	1	181030089/0	Cable, Thread Engine Brake	
6	1	112154510/0	Nut	
7	1	112154510/0	Nut	
8	1	112521330/0	Washer	
9	1	122430313/0	Guide Spring	
10	1	381003394/0	Lever, Engine Brake Yellow	
11	1	381003395/0	Lever, Driving Yellow	

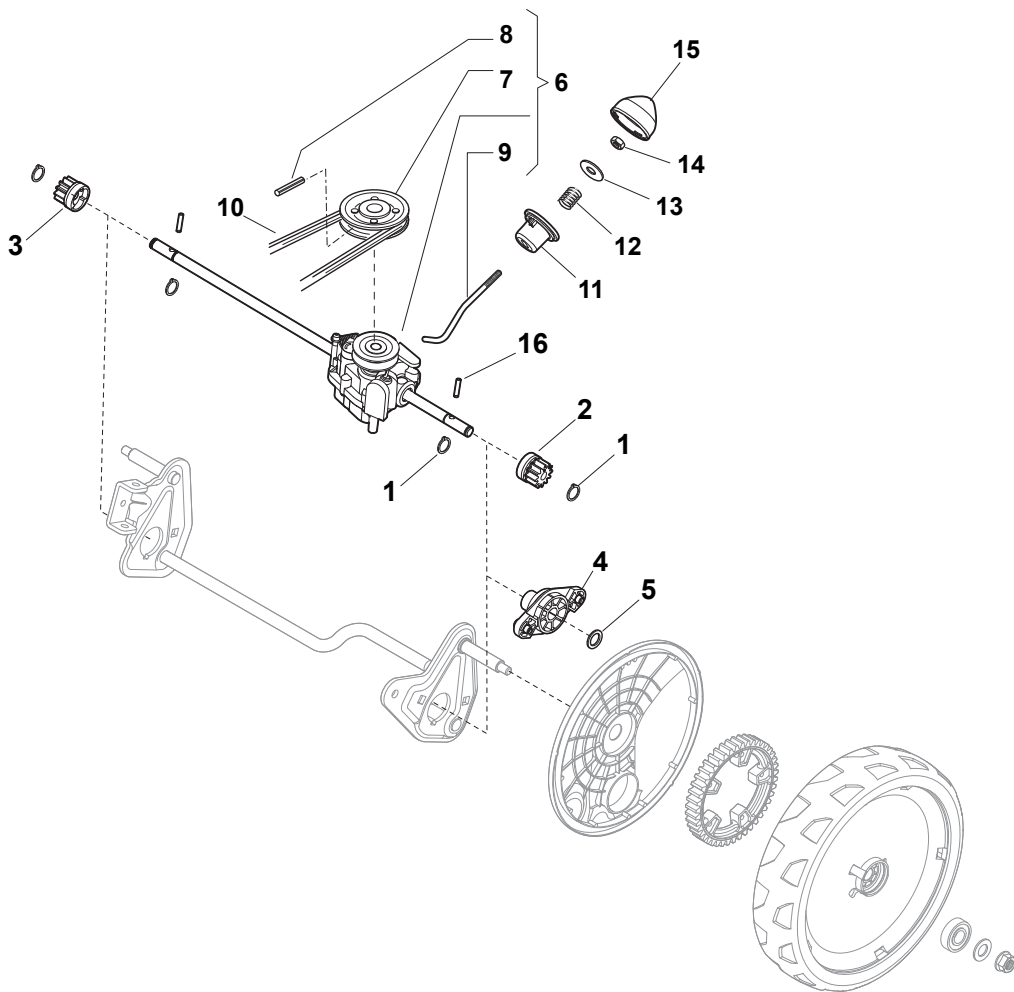


Fig.	Q.ty	Part No	Description	Notes
1	4	112608600/0	Seeger	
2	1	122570134/0	Left Pinion	
3	1	122570133/0	Right Pinion	
4	2	322042067/0	Bushing	
5	2	112521371/0	Washer	
6	1	181003092/0	Gear Box	
7	1	122601909/0	Pulley	
8	1	112645700/0	Elastic Pin	
9	1	122033283/0	Adjustment Rod	
10	1	135064196/0	Belt	
11	1	122041957/1	Bushing	
12	1	122450063/0	Spring	
13	1	322680009/0	Washer	
14	1	112154510/0	Nut	
15	1	122110230/0	Hub Cover	
16	2	122753000/0	Pin	

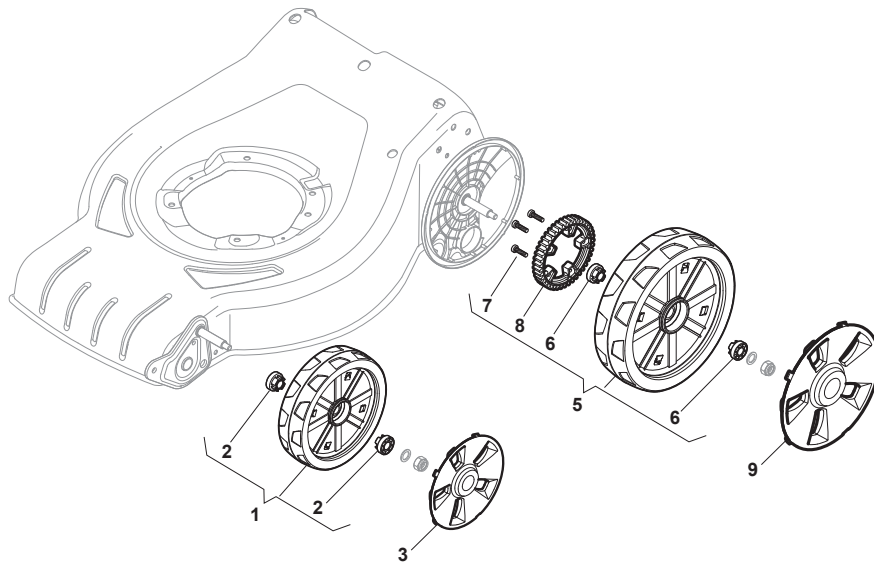
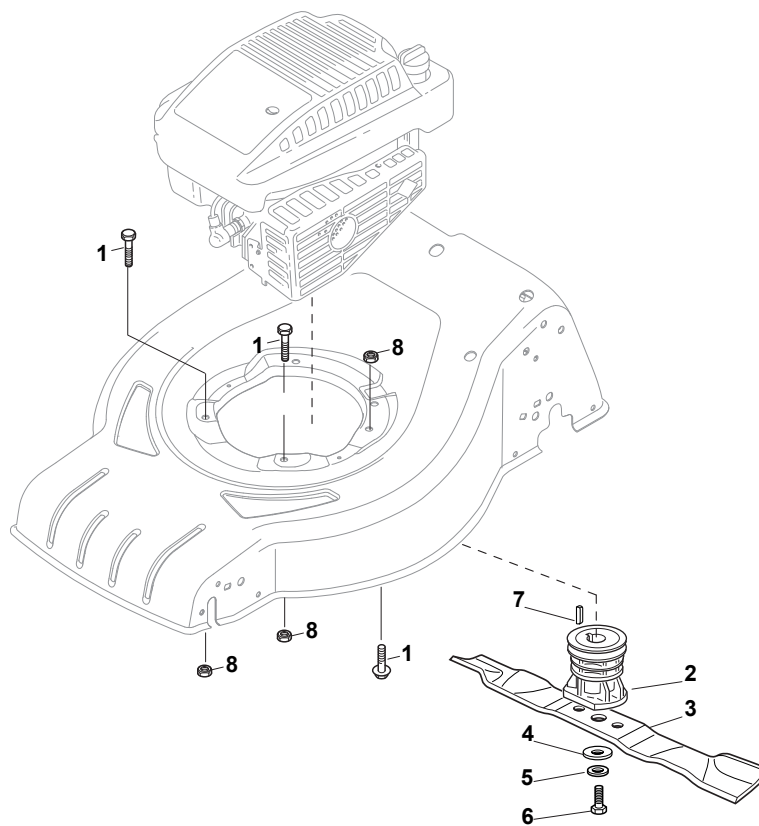


Fig.	Q.ty	Part No	Description	Notes
1	2	381007481/1	Wheel	
2	4	322042064/0	Bushing	
3	2	322110643/0	Hub Cap Grey	Grey
5	2	381007486/1	Wheel	
6	4	322042064/0	Bushing	
7	6	112728706/0	Screw	
8	2	322120115/0	Wheels Crown	
9	2	322110644/0	Hub Cap Grey	Grey



BL 510 SHLM



Petrol Lawn Mower Blade

Issue 7 - 2016

Fig.	Q.ty	Part No	Description	Notes
1	1	112691800/0	Screw	
2	1	122465608/2	Hub With Pulley, Crankshaft Ø 25	
3	1	181004459/0	Blade	
4	1	122160400/0	Elastic Disc	
5	1	112523080/0	Washer	
6	1	112735698/0	Screw	
7	1	112139150/0	Feather, Crankshaft Ø 25	
8	3	112154210/0	Nut	

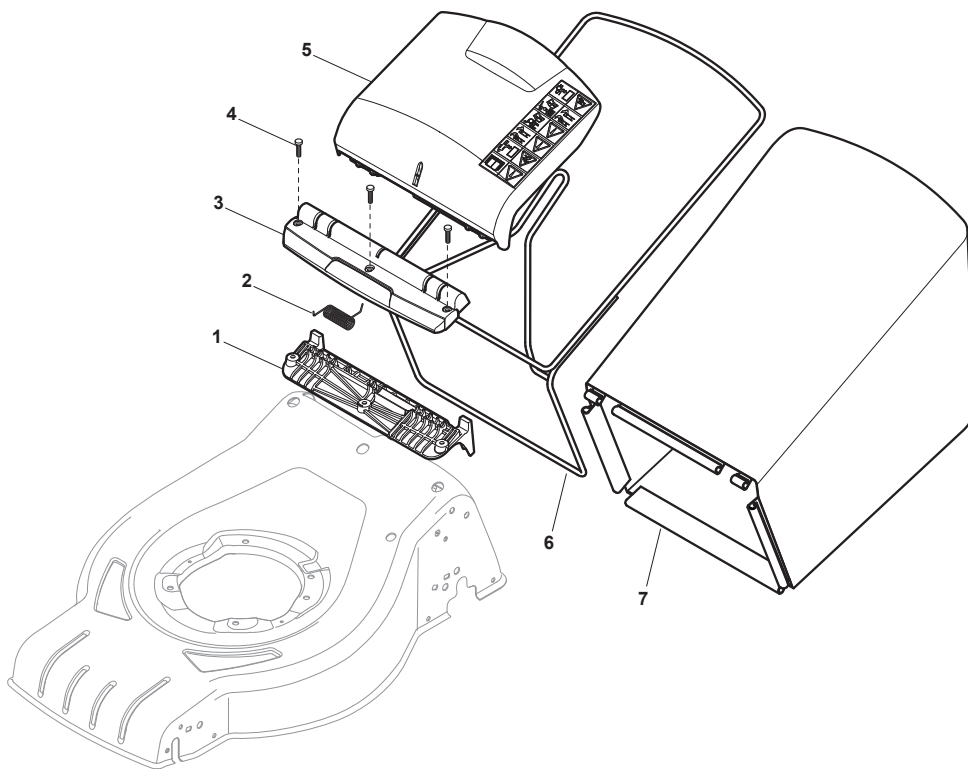


Fig.	Q.ty	Part No	Description	Notes
1	1	322785331/0	Black Stone Guard Support	
2	1	122450464/0	Spring	
3	1	322109557/0	Stone Guard Supp. Cover Grey	Grey
4	3	112728699/0	Screw	
5	1	322600216/1	Stone Guard, Grey	
6	1	181006409/0	Textile Grasscatcher Frame	
7	1	181002319/0	Textile Grasscatcher Black	

code	pos.	q.ty	page				
112139150/0	7	1	p. 15	322109557/0	3	1	p. 17
112154210/0	8	3	p. 15	322110643/0	3	2	p. 13
112154510/0	6	1	p. 9	322110644/0	9	2	p. 13
112154510/0	7	1	p. 9	322120115/0	8	2	p. 13
112154510/0	14	1	p. 11	322140244/0	11	1	p. 3
112154510/0	17	1	p. 5	322399840/0	4	2	p. 7
112155000/0	5	2	p. 5	322399840/0	9	2	p. 7
112155000/0	11	2	p. 7	322545142/0	2	2	p. 5
112155000/0	22	2	p. 5	322545152/0	12	2	p. 5
112293200/0	5	2	p. 7	322545213/0	6	2	p. 3
112293200/0	10	2	p. 7	322551640/0	3	1	p. 9
112369500/0	13	2	p. 7	322600145/0	10	2	p. 5
112436051/0	6	2	p. 5	322600216/1	5	1	p. 17
112521330/0	8	1	p. 9	322600240/0	18	2	p. 5
112521350/0	4	2	p. 5	322680009/0	13	1	p. 11
112521350/0	12	2	p. 7	322785331/0	1	1	p. 17
112521350/0	21	2	p. 5	322869679/0	7	1	p. 5
112521371/0	5	2	p. 11	381003357/0	15	1	p. 5
112523080/0	5	1	p. 15	381003394/0	10	1	p. 9
112608600/0	1	4	p. 11	381003395/0	11	1	p. 9
112645700/0	8	1	p. 11	381004549/0	1	1	p. 3
112691800/0	1	1	p. 15	381005165/0	9	1	p. 3
112727783/0	2	1	p. 9	381005167/0	7	1	p. 3
112727801/0	8	6	p. 3	381006740/0	1	1	p. 9
112728530/0	12	2	p. 3	381006785/0	1	1	p. 7
112728698/0	3	4	p. 5	381007481/1	1	2	p. 13
112728698/0	11	4	p. 5	381007486/1	5	2	p. 13
112728699/0	3	6	p. 3	381008692/0	15	1	p. 7
112728699/0	4	3	p. 17	381030085/0	4	1	p. 9
112728699/0	5	6	p. 3	381302849/0	13	1	p. 5
112728706/0	7	6	p. 13	381302853/0	1	1	p. 5
112735698/0	6	1	p. 15				
112760605/0	14	2	p. 7				
112818900/0	7	2	p. 7				
112819110/0	2	2	p. 7				
122033283/0	9	1	p. 11				
122041957/1	11	1	p. 11				
122110230/0	15	1	p. 11				
122160400/0	4	1	p. 15				
122430313/0	9	1	p. 9				
122446192/0	16	1	p. 5				
122446193/0	9	1	p. 5				
122450063/0	12	1	p. 11				
122450464/0	2	1	p. 17				
122465608/2	2	1	p. 15				
122519823/0	8	2	p. 5				
122534131/0	14	1	p. 5				
122570133/0	3	1	p. 11				
122570134/0	2	1	p. 11				
122601909/0	7	1	p. 11				
122671651/0	3	2	p. 7				
122753000/0	16	2	p. 11				
135064196/0	10	1	p. 11				
181002319/0	7	1	p. 17				
181003092/0	6	1	p. 11				
181004459/0	3	1	p. 15				
181006409/0	6	1	p. 17				
181030089/0	5	1	p. 9				
322042064/0	2	4	p. 13				
322042064/0	6	4	p. 13				
322042067/0	4	2	p. 11				
322060250/0	10	1	p. 3				
322108302/0	4	1	p. 3				
322108308/0	2	1	p. 3				