

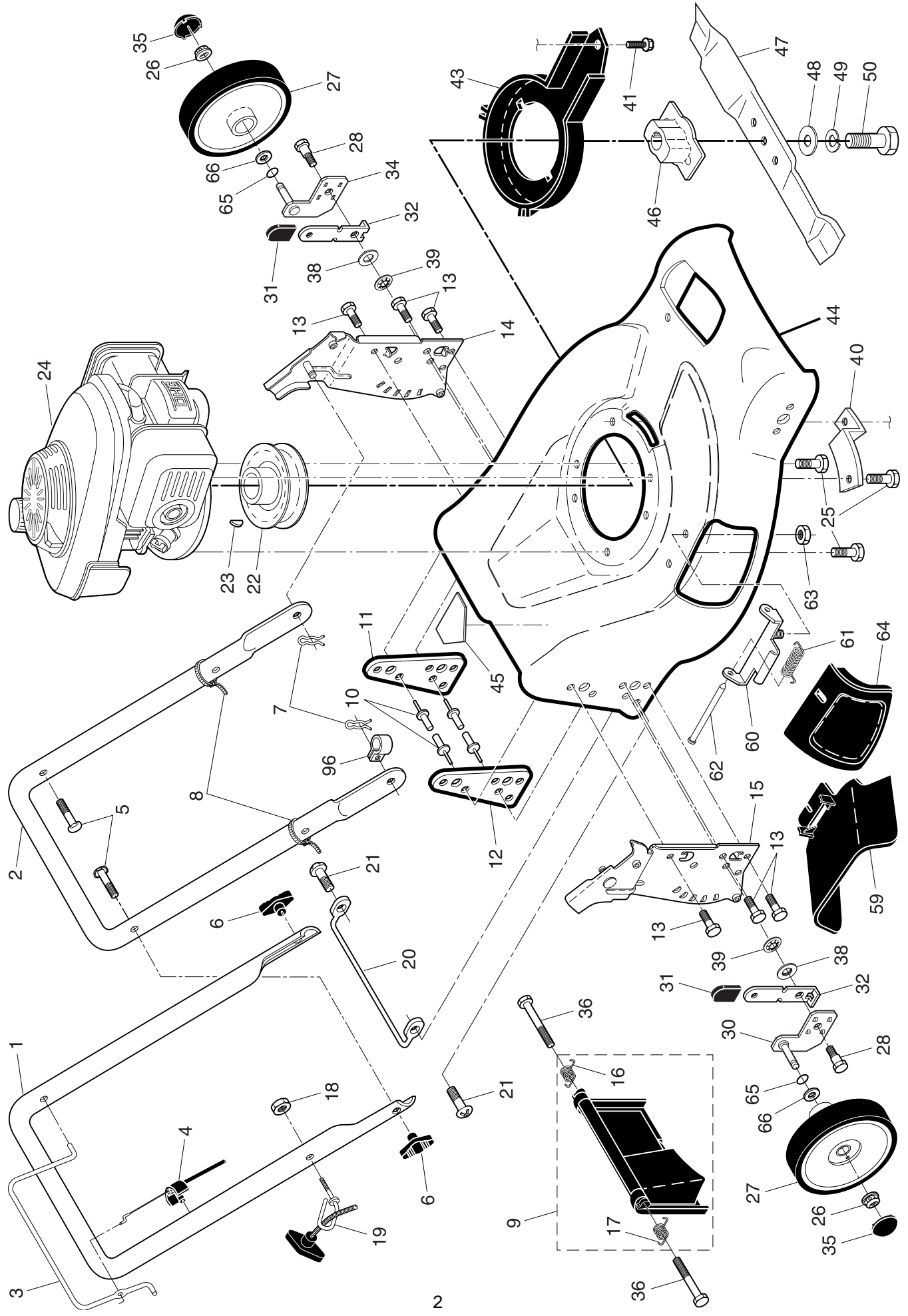
ILLUSTRATED PARTS LIST

CUSTOMER MODEL NUMBER BR022

PRODUCT NUMBER 961 41 00-38

MFG. ID. NUMBER 96141003801

ROTARY LAWN MOWER -- CUSTOMER MODEL NUMBER BR022 (96141003801) PRODUCT NO. 961 41 00-38



ROTARY LAWN MOWER - - CUSTOMER MODEL NUMBER BRO22 (96141003801) PRODUCT NO. 961 41 00-38

KEY NO.	PART NO.	DESCRIPTION	KEY NO.	PART NO.	DESCRIPTION
1	532 19 25-17	Upper Handle	30	532 19 54-35	Axle Arm Assembly, Rear, RH
2	532 15 36-05	Lower Handle	31	532 08 78-77	Selector Knob
3	532 14 67-71	Control Bar	32	532 19 01-57	Selector Spring
4	532 18 35-67	Engine Zone Control Cable	34	532 19 54-36	Axle Arm Assembly, Rear, LH
5	532 19 15-74	Handle Bolt	35	532 07 74-00	Hubcap, Domed, Black, 3"
6	532 19 19-38	Handle Knob	36	532 18 41-93	Bolt
7	532 05 17-93	Hairpin Cotter	38	819 17 61-85	Washer
8	532 06 64-26	Wire Tie	39	532 17 62-35	Nut, Hex 5/16-18
9	532 18 04-79	Kit, Rear Door (Includes Key #16 and 17)	40	532 19 09-39	Mounting Bracket, Debris Shield
10	532 12 84-15	Pop Rivet	41	532 19 23-25	Screw, Hex Washer Head
11	532 18 25-38	Support Bracket, LH	43	532 18 87-84	Debris Shield
12	532 18 25-39	Support Bracket, RH	44	532 19 52-51	Lawn Mower Housing (Includes Key Numbers 10, 11, 12 and 45)
13	817 06 04-10	Screw 1/4-20 x 5/8	45	532 18 21-66	Danger Decal
14	532 19 01-54	Handle Bracket Assembly, LH	46	532 18 46-32	Blade Adapter
15	532 19 01-53	Handle Bracket Assembly, RH	47	532 16 58-33	Blade, 21"
16	532 18 00-71	Spring, Rear Door, LH	48	532 85 10-74	Hardened Washer
17	532 18 00-72	Spring, Rear Door, RH	49	532 85 02-63	Helical Washer 3/8-24 x 1-3/8 Grade 8
18	532 13 20-04	Locknut, Hex, Keys 1/4-20	50	532 85 10-84	Hex Head Machine Screw 3/8-24 x 1-3/8 Grade 8
19	532 17 95-85	Rope Guide	59	532 17 50-71	Discharge Deflector
20	532 17 92-05	Foot Guard, C.E.	60	532 17 57-35	Bracket, Hinge
21	532 05 45-83	Screw, Tapping 1/4-20 x 1/2	61	532 17 52-85	Spring, Hinge
22	532 18 49-41	Engine Pulley	62	532 17 56-50	Rod, Hinge
23	532 18 77-23	Hi-Pro Key	63	873 80 04-00	Nut, Hex
24	---	Engine, Honda, Model Number GCV190 (Order parts from engine manufacturer)	64	532 17 50-66	Mulcher Door
25	532 15 04-06	Screw, Hex Head, Threaded, Rolled 3/8-16 x 1-1/8	65	532 18 81-52	O-Ring
26	532 08 39-23	Nut, Hex, Flanged	66	532 08 83-48	Washer, Flat 3/8
27	532 80 03-33	Wheel & Tire Assembly, Rear	96	532 19 27-70	Clip, Cable
28	532 18 93-12	Shoulder Bolt 5/16-18 x .33	--	532 19 62-49	Operator's Manual, European

NOTE: All component dimensions given in U.S. inches. 1 inch = 25.4 mm. **IMPORTANT:** Use only Original Equipment Manufacturer (O.E.M.) replacement parts. Failure to do so could be hazardous, damage your lawn mower and void your warranty.

ROTARY LAWN MOWER - - CUSTOMER MODEL NUMBER BRO22 (96141003801) PRODUCT NO. 961 41 00-38

KEY NO.	PART NO.	DESCRIPTION	KEY NO.	PART NO.	DESCRIPTION
1	532 18 45-88	Drive Control Assembly (Includes Cable)	41	532 15 20-19	Kit, Wheel Adjuster, RH (Includes Knob and Bearing)
2	532 16 73-87	Bearing, Wheel Adjuster	54	532 19 52-13	Grassbag
3	532 17 52-62	Pan Head Tapping Screw #10-24 x 2-3/4	55	532 17 57-39	Driveshaft Cover
4	532 15 87-55	Hex Washer Head Screw 1/4-20 x 2.12	57	532 18 88-15	Frame, Grassbag
5	532 17 54-36	V-Belt	60	532 18 34-97 *	Case, Lower
6	532 15 04-95	Spring Retainer	61	532 18 34-98 *	Case, Upper
7	532 19 17-30	Nut, Hex, Flanged 1/4-20	62	532 18 34-99	Gear, 27 Teeth
8	532 07 74-00	Hubcap, Domed, Black, 3"	63	532 18 35-00	Lever, Clutch
9	532 08 39-23	Locknut, Hex	64	532 18 35-01	Spring, Return
11	532 18 07-55	Wheel & Tire Assembly, Front	65	532 18 35-02	Shaft, Input
12	812 00 00-58	E-Ring	66	532 18 35-03	Dog, Movable
13	532 13 70-54	Pinion	67	532 18 35-04	Dog, Fixed
14	532 18 94-03	Dust Cover	68	532 18 35-05	Wire, Formed
16	532 06 77-25	Washer 1/2 x 1-1/2 x .134	69	532 18 35-06	Bearing, Ball
18	532 08 78-77	Selector Knob	70	532 18 35-07	Fork, Shift
19	532 18 81-52	O-Ring	71	532 18 35-08	Seal, Output Shaft
28	532 18 14-67	Drive Cover	72	532 18 35-09	Washer
31	532 13 20-10	Nut, Hex, Flanged	73	532 18 35-10	Seal, Case
32	532 18 94-07	Drive Pulley	74	532 18 35-11	Bushing
35	532 15 20-18	Kit, Wheel Adjuster, LH (Includes Knob and Bearing)	75	532 18 35-12	Shaft, Output
36	532 18 01-84	Gearcase Assembly, Complete	76	532 18 35-13	Screw
38	873 80 04-00	Locknut, Hex 1/4-20	77	532 18 35-14	Seal, Input Shaft
40	532 13 70-90	Spring			

* Use Dow Corning #709 to reseat.

NOTE: All component dimensions given in U.S. inches. 1 inch = 25.4 mm. **IMPORTANT:** Use only Original Equipment Manufacturer (O.E.M.) replacement parts. Failure to do so could be hazardous, damage your lawn mower and void your warranty.