

ALPINK

www.alpinagarden.com

> Illustrated Parts List

for:

> BT 63 E

- Use GLOBAL GARDEN PRODUCT genuine spare parts specified in the parts list for repair and/or replacement.
- The contents described in the parts list may change due to improvement.
- The drawings of the spare part are only indicative and might not represent the part in question exactly.
- The indications "right" - "left" - "front" - "rear" refer to the position of the operator when using the machine.
- When placing orders of parts for repair and/or replacement, make sure that the illustrated parts list is the one applying to the machine's year of manufacture, as shown on the identification plate attached to the machine.

© Copyright 2013 Global Garden Products

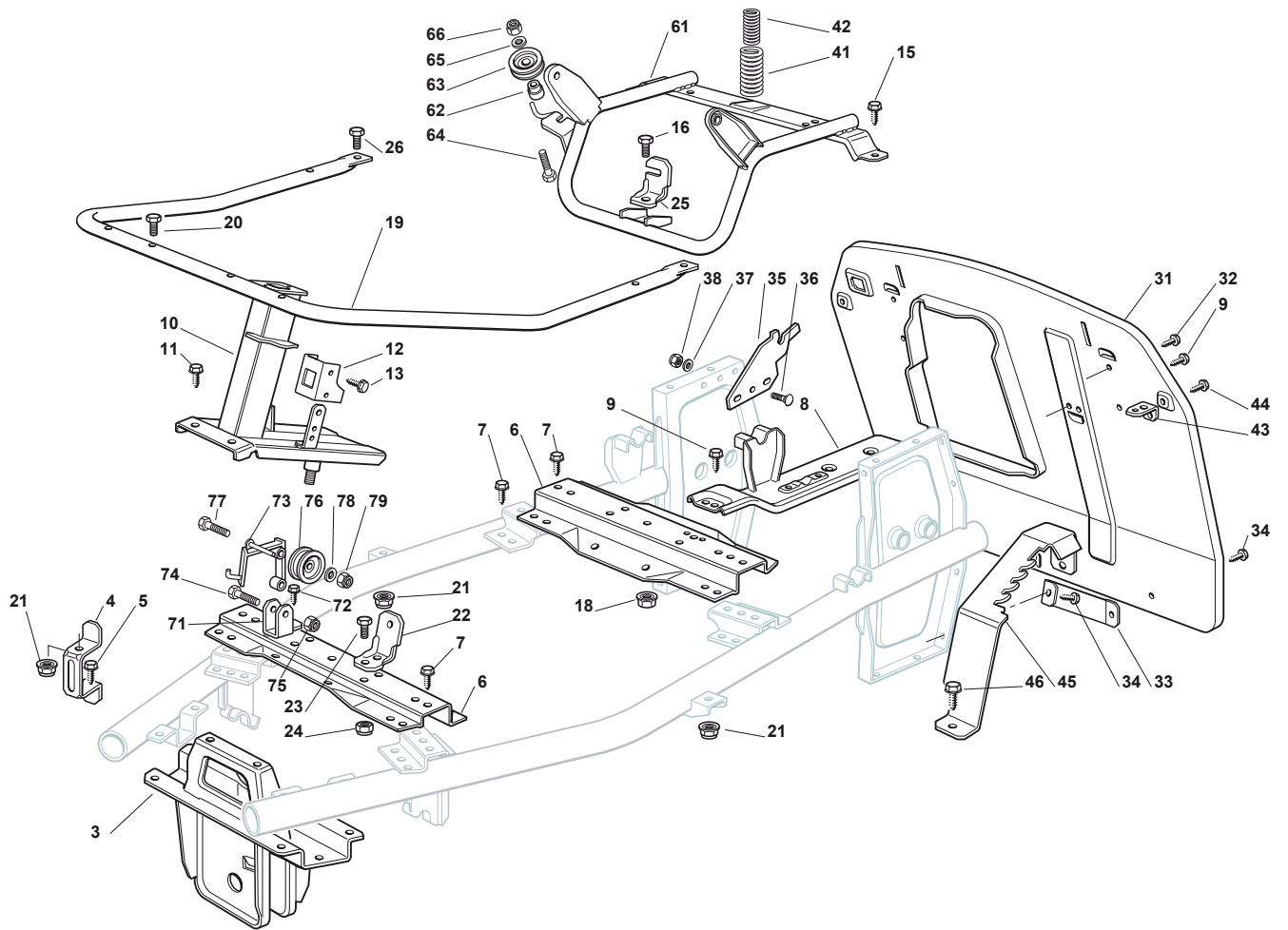
All content is subject to copyright by Global Garden Products and may not be reproduced in whole or in part by any means, electronic or otherwise, without prior written approval.

THIS INFORMATION IS NOT INTENDED FOR SALE OR RESALE, AND THIS NOTICE MUST REMAIN ON ALL COPIES.

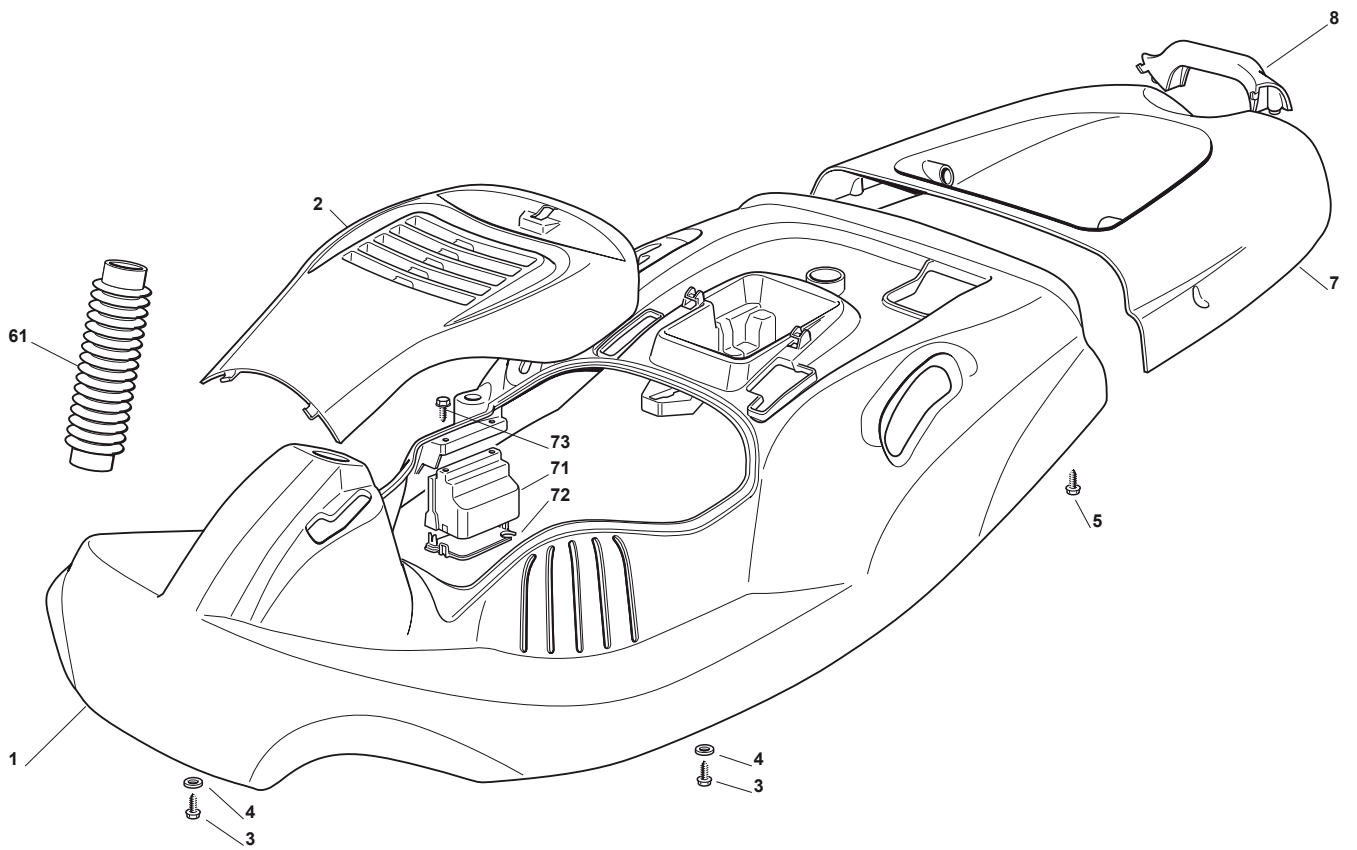
www.ggp-group.com



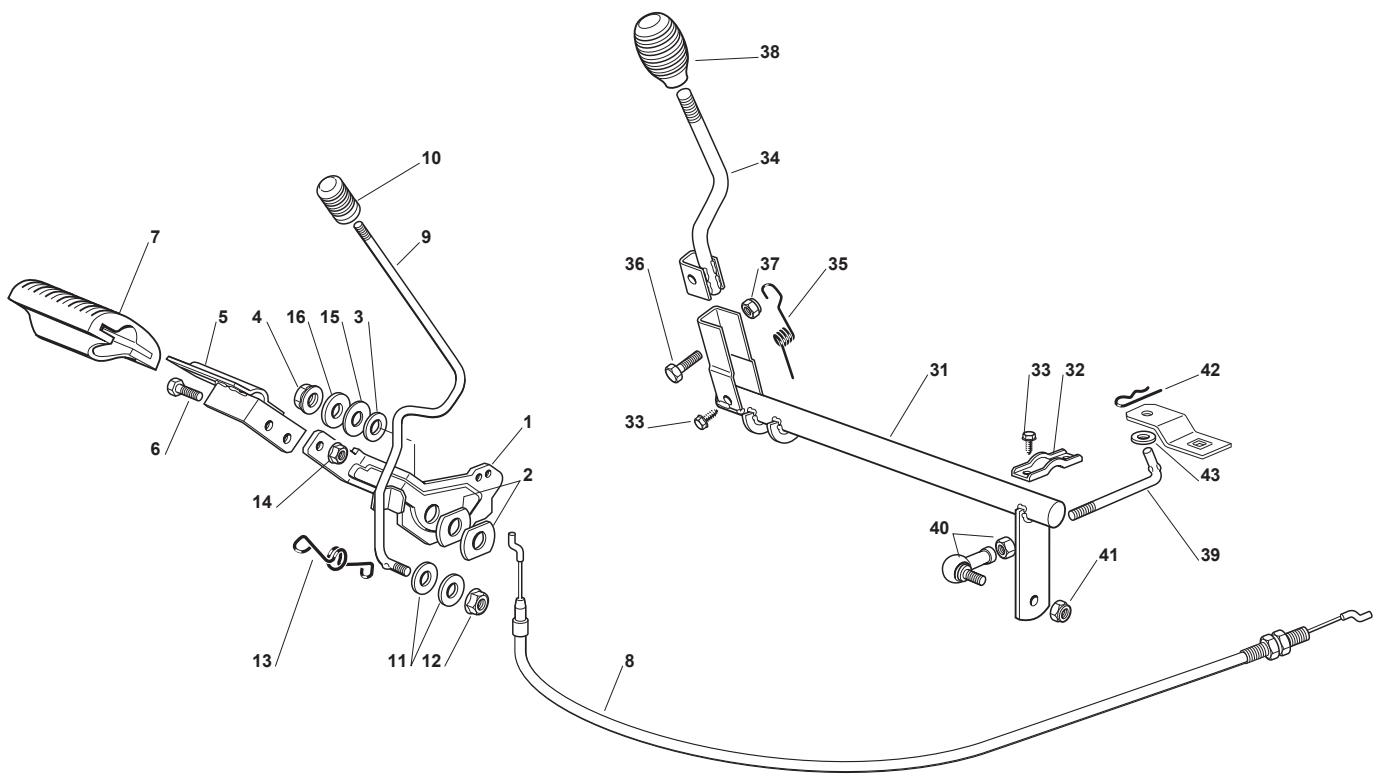
Engineered to amaze you



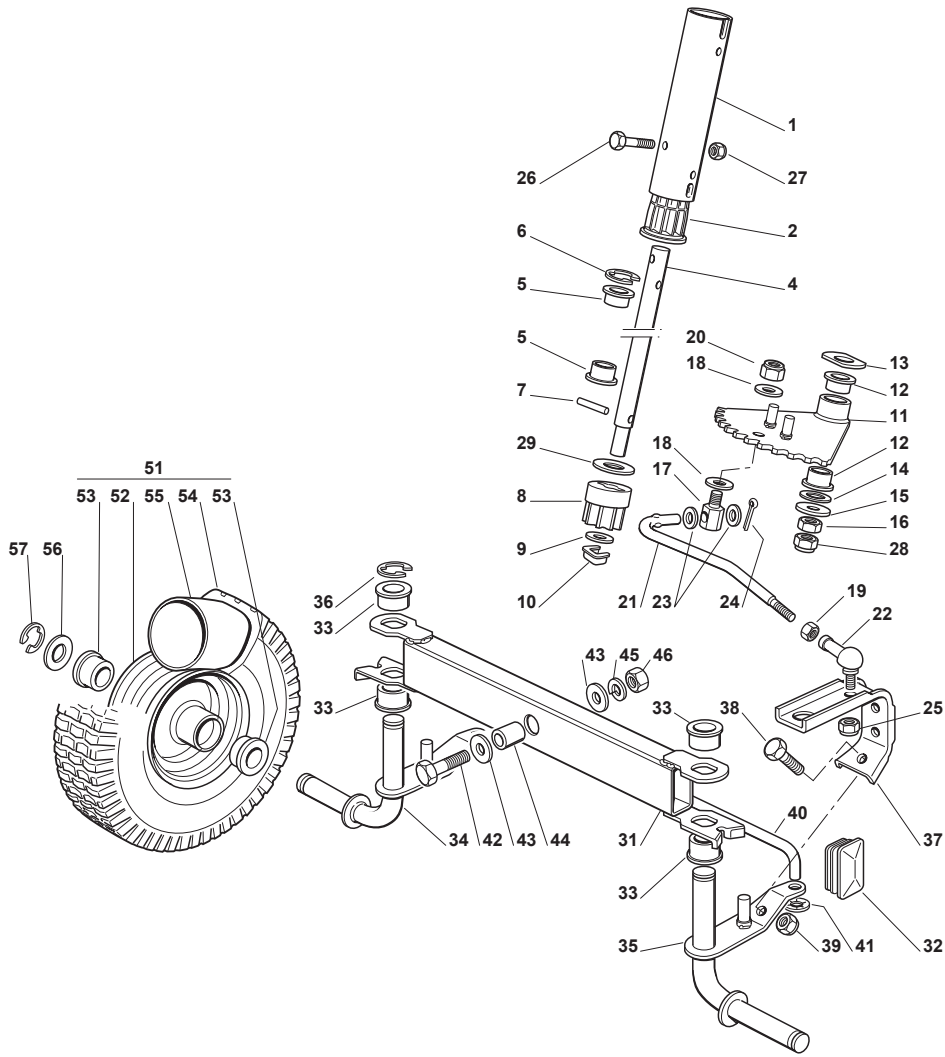
Chassis				
POS	CODE	Q.TY	DESCRIPTION	NOTES
3	384783015/1	1	Forecarriage Support	
4	327772121/0	2	Clamp	
5	112735121/0	6	Screw	
6	327650115/1	2	Stiffening	
7	112735121/0	10	Screw	
8	384650105/0	1	Rear Stiffening	
9	112735121/0	4	Screw	
10	384783037/0	1	Steering Column Support	
11	112735121/0	6	Screw	
12	327772095/0	1	Micro Handbrake Stirrup Support	
13	112735105/0	2	Screw	
15	112735121/0	2	Screw	
16	112793701/0	1	Screw	
18	112293201/0	1	Nut	
19	327869057/0	1	Footboard Support	
20	112792099/0	2	Screw	
21	112154510/0	4	Nut	
22	327773077/0	1	Angle Bracket	
23	112791011/0	1	Screw	
24	112154510/0	1	Nut	
25	327753081/0	1	Angle Bracket	
26	112791500/0	2	Screw	
31	384545061/0	1	Rear Plate	
32	112735121/0	4	Screw	
33	327650111/0	2	Rear Plate Reinforcement	
34	112735121/0	4	Screw	
35	327772131/0	2	Grasscatcher Fulcrum Clamp	
36	112818690/0	2	Screw	
37	112521350/0	2	Washer	
38	112155000/0	2	Nut	
41	127430567/0	1	Spring	
42	127430569/2	1	Spring	
43	327753073/0	2	Angle Bracket	
44	112729600/0	2	Screw	
45	327734059/0	1	Rack	
46	112735121/0	2	Screw	
61	384801125/0	1	Seat Support	
62	122170910/0	1	Spacer	
63	381003375/1	1	Pulley	
64	112691200/0	1	Screw	
65	112523060/0	1	Washer	
66	112155000/0	1	Nut	
71	327753075/0	1	Clamp	
72	112735121/0	1	Screw	
73	384783041/0	1	Small Wheel Support	
74	112691115/0	1	Screw	
75	112155000/0	1	Nut	
76	381003375/1	1	Pulley	
77	112691200/0	1	Screw	
78	112523060/0	1	Washer	
79	112155000/0	1	Nut	



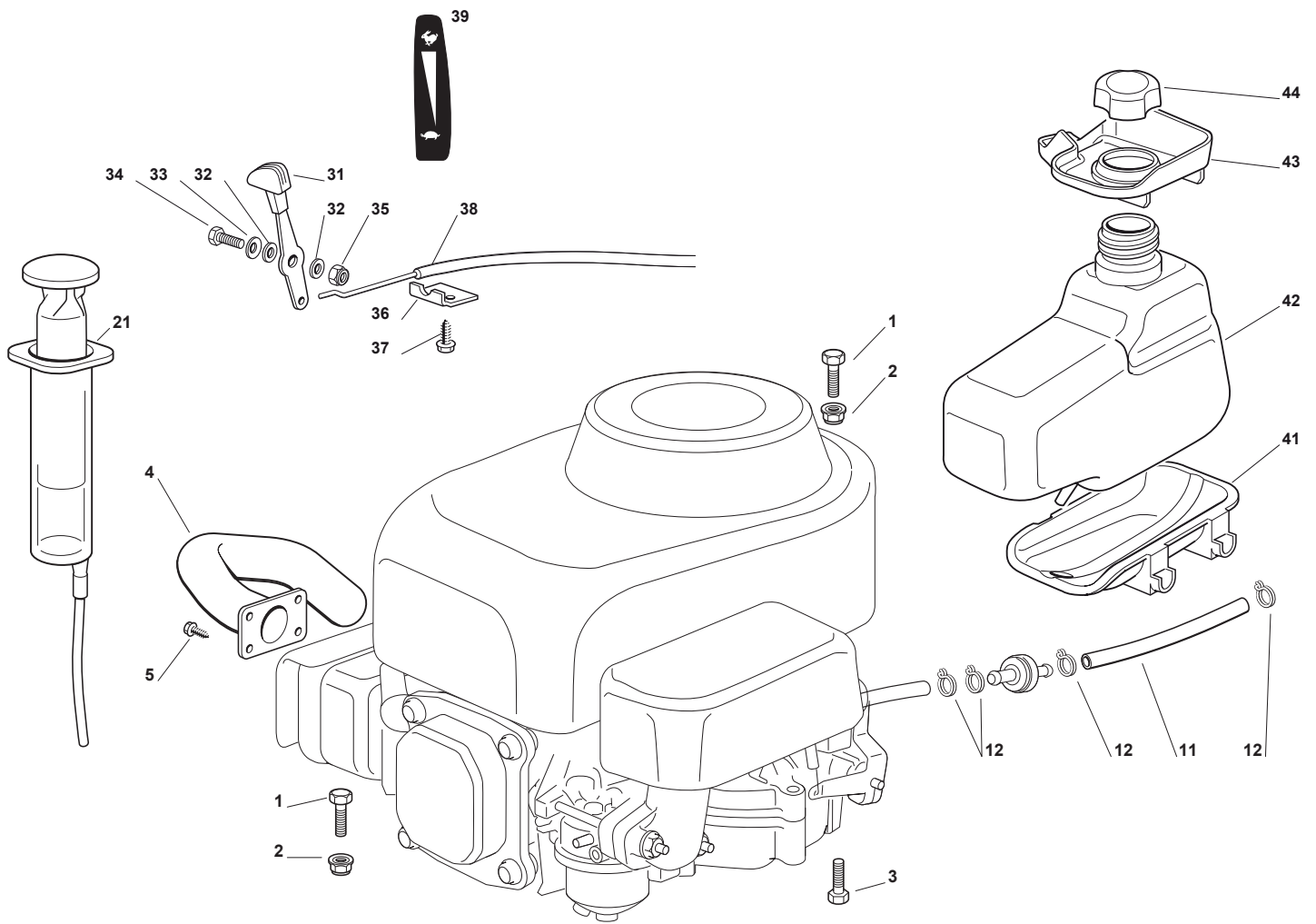
Body				
POS	CODE	Q.TY	DESCRIPTION	NOTES
1	327110397/0	1	Black Wheels Cover	
2	127110374/0	1	Engine Cover Black	
3	112735410/0	4	Screw	
4	112523040/0	4	Washer	
5	112735402/0	2	Screw	
7	327110398/0	1	Black Grass-Catcher Cover	
8	127394000/0	1	Handle	
61	127600114/1	1	Column Extension Protection	
71	127600119/0	1	Electronis Card Upper Protecti	
72	127600118/0	1	Electronic Card Lower Protecti	
73	112727810/0	2	Screw	



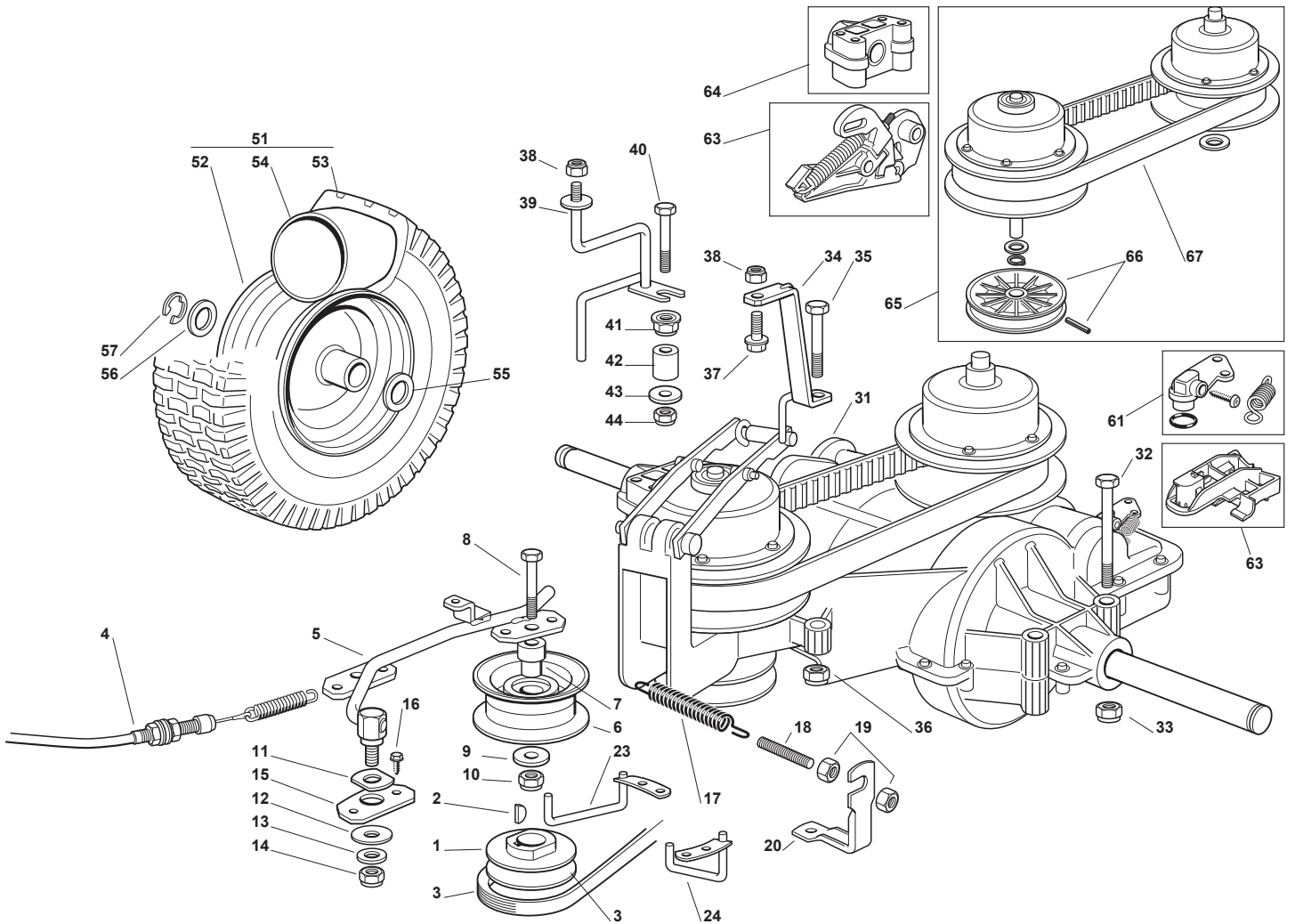
Steering				
POS	CODE	Q.TY	DESCRIPTION	NOTES
1	327500051/1	1	Pedal	
2	327670054/0	2	Washer	
3	112521350/0	1	Washer	
4	112154210/0	1	Self-Locking Nut	
5	384503005/0	1	Pedal Upper	
6	112791200/1	2	Screw	
7	125110269/0	1	Clamp Cover	
8	384207105/0	1	Cable	
9	327034064/1	1	Rod	
10	127395050/1	1	Knob	
11	325670011/0	2	Antifriction Washer	
12	112154210/0	1	Self-Locking Nut	
13	127430564/0	1	Rod	
14	112292102/0	2	Nut	
15	327670055/0	1	Antifriction Washer	
16	112523060/0	1	Washer	
31	384001021/0	1	Axle	
32	327546015/1	2	Plate	
33	112729601/1	5	Screw	
34	384317071/0	1	Gear Control Lever	
35	127430570/1	1	Spring	
36	112674700/0	1	Screw	
37	112154510/0	1	Nut	
38	125394510/0	1	Knob	
39	127034063/0	1	Gear Control Rod	
40	122746601/0	1	Joint	
41	112155000/0	1	Nut	
42	124487997/0	1	Cotter Pin	
43	325670011/0	1	Antifriction Washer	



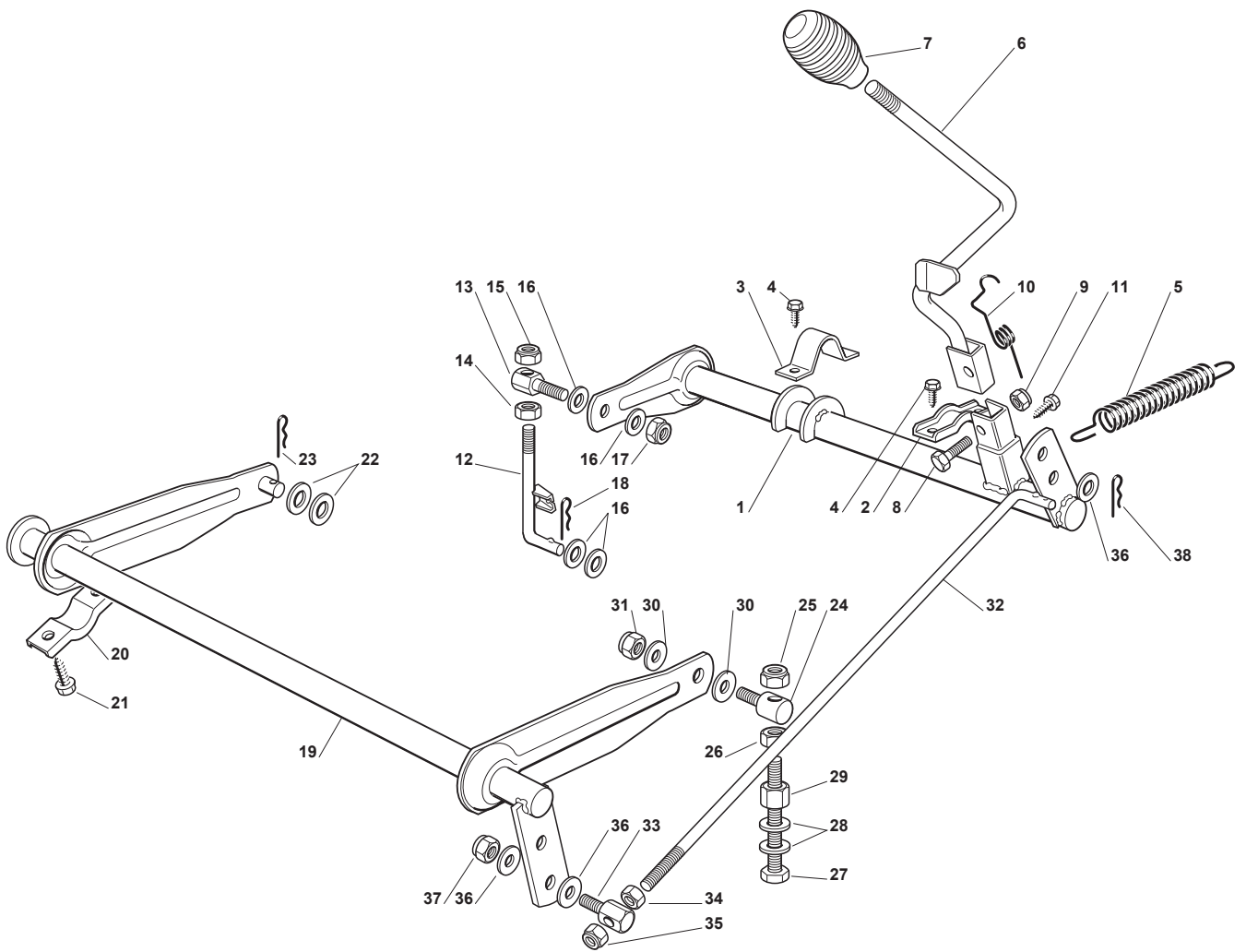
Steering				
POS	CODE	Q.TY	DESCRIPTION	NOTES
1	127340305/1	1	Column Extension	
2	127047005/1	1	Bush	
4	127520052/0	1	Steering Column	
5	127047004/0	2	Bush	
6	112001010/0	1	Benzing Ring	
7	112622650/0	1	Pin	
8	127570050/0	1	Pinion	
9	112521370/0	1	Washer	
10	112436030/0	1	Plate	
11	384735553/1	1	Ring Gear	
12	127047004/0	2	Bush	
13	327670054/0	1	Washer	
14	322672152/0	1	Antifriction Washer	
15	112523070/0	1	Washer	
16	112293200/0	1	Hexagonal Nut	
17	125510056/0	1	Pin	
18	325670008/1	2	Washer	
19	112293200/0	1	Hexagonal Nut	
20	112156602/0	1	Nut	
21	127034066/2	1	Steering Control Rod	
22	122746610/0	1	Joint	
23	325670008/1	2	Washer	
24	112141418/0	1	Cotter Pin	
25	112155000/0	1	Nut	
26	112689515/0	2	Screw	
27	112154510/0	2	Nut	
28	112155000/0	1	Nut	
29	327670054/0	1	Washer	
31	384034059/0	1	Front Wheel Axle	
32	118737852/0	2	Cap	
33	127047004/0	4	Bush	
34	384230405/0	1	Right Stub Axle	
35	384230407/0	1	Left Stub Axle	
36	112000970/0	1	Ring (Benzing)	
37	327787041/0	1	Tie Rod	
38	112793102/0	1	Screw	
39	112155000/0	1	Nut	
40	127840051/0	1	Tie Rod	
41	112604899/0	2	Crown Fastener	
42	112692695/0	1	Screw	
43	112523100/0	2	Washer	
44	125160016/0	1	Equalizer Spacer	
45	112587100/0	1	Grower	
46	112295300/0	1	Hexagonal Nut	
51	184680056/1	2	Front Wheel	
52	184044002/0	2	Front Rim Ass.Y	
53	127045070/0	4	Bush	
54	127590058/0	2	Tyre	
55	127590056/0	2	Inner Tube	
56	112521390/0	2	Washer	
57	112000970/0	2	Ring (Benzing)	



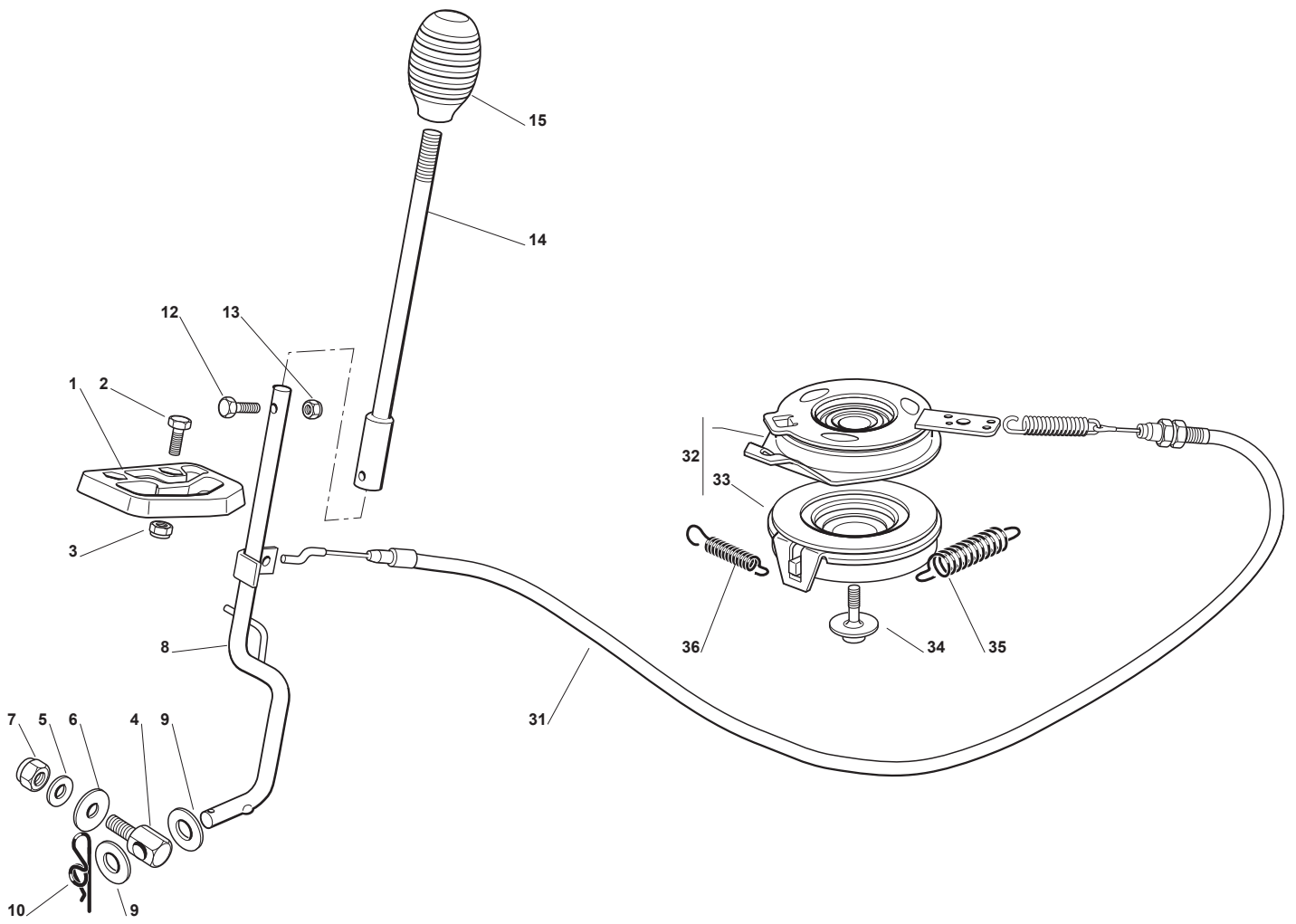
Engine - GGP				
POS	CODE	Q.TY	DESCRIPTION	NOTES
1	112691115/0	3	Screw	
2	112154210/0	3	Self-Locking Nut	
3	112691100/0	1	Screw	
4	318738201/0	1	Exhaust Pipe	
5	112735111/0	4	Screw	
11	325869035/1	1	Connecting Tube	
12	118375051/1	2	Fair Led	
21	118718000/0	1	Oil Emptying Syringe	
31	381007280/2	1	Dashboard Throttle Lever	
31	384317094/0	1	Throttle Lever	
32	112523040/0	2	Washer	
33	112530060/0	1	Spring Washer	
34	112791500/0	1	Screw	
35	112154510/0	1	Nut	
36	322981467/0	1	Plate	
37	112735105/0	2	Screw	
38	184000253/1	1	Throttle Cable	
39	114358415/0	1	Throttle Label	
41	127787057/0	1	Support	
42	127733002/1	1	Fuel Tank	
43	127600113/0	1	Plastic Petrol Protection	
44	127790000/1	1	Fuel Cap	



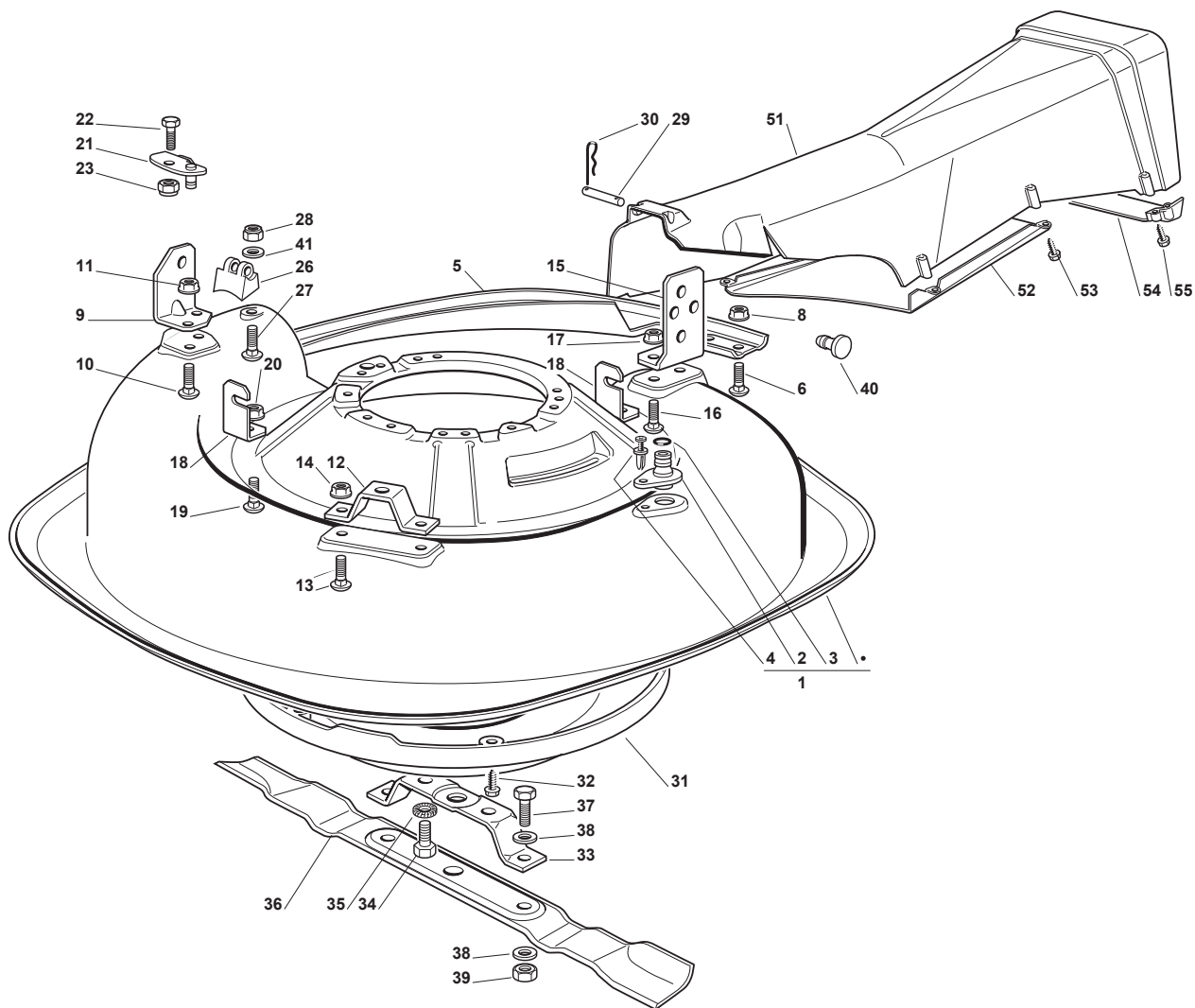
Variator Transmission				
POS	CODE	Q.TY	DESCRIPTION	NOTES
1	127604012/0	1	Pulley	
1	127604013/0	1	Pulley	
2	112139100/0	1	Key	
3	135061427/0	1	Belt	
4	384207103/2	1	Cable	
5	384317091/0	1	Lever	
6	127604007/0	1	Guide Pulley	
7	127047007/0	1	Bush	
8	112691200/0	1	Screw	
9	112523060/0	1	Washer	
10	112155000/0	1	Nut	
11	327670054/0	1	Washer	
12	112523070/0	1	Washer	
13	325670011/0	1	Antifriction Washer	
14	112155000/0	1	Nut	
15	327546029/0	1	Guide Pulley Fixing Plate	
16	112735121/0	2	Screw	
17	125430219/0	1	Spring	
18	125840005/0	1	Tie Rod	
19	112293200/0	2	Hexagonal Nut	
20	327773081/1	1	Angle Bracket	
23	382270305/0	1	Plate	
24	382270307/0	1	Plate	
31	118400973/0	1	Transmission Unit	
31	118400973/1	1	Transmission Unit	
32	112692050/0	4	Screw	
33	112154210/0	4	Self-Locking Nut	
34	384783045/0	1	Support	
35	112691115/0	1	Screw	
36	112154210/0	1	Self-Locking Nut	
37	112793102/0	1	Screw	
38	112154210/0	2	Self-Locking Nut	
39	384783043/0	1	Support	
40	112793900/0	1	Screw	
41	112154210/0	1	Self-Locking Nut	
42	122170950/0	1	Spacer	
43	112524010/0	1	Washer	
44	112150000/0	1	Self-Locking Nut	
51	184680057/1	2	Rear Wheel	
52	184044005/0	2	Rimm	
53	127590059/0	2	Tyre	
54	127590057/0	2	Inner Tube	
55	112521410/0	2	Washer	
56	125670005/1	2	Washer	
57	112001010/0	2	Benzing Ring	
61	119700059/0	1	Brake Kit	
63	119700065/0	1	Control Unit	
64	119700061/0	1	Bushing	
65	119700057/0	1	Variator Kit	
66	119700066/0	1	Pulley	
67	119700062/0	1	Belt	



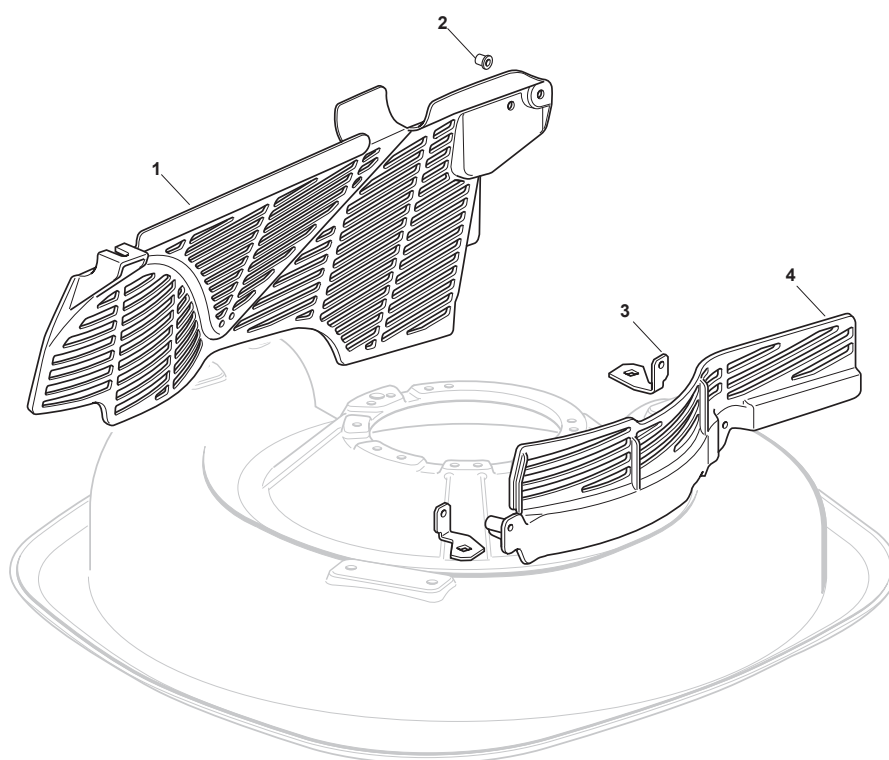
Cutting Plate Lifting				
POS	CODE	Q.TY	DESCRIPTION	NOTES
1	384001017/0	1	Rear Deck Lifting Axle Ass.Y	
2	327546015/1	1	Plate	
3	325547037/1	1	Plate	
4	112729601/1	4	Screw	
5	127430568/0	1	Lifting Deck Spring	
6	384317075/0	1	Deck Lifting Lever Ass.Y	
7	125394510/0	1	Knob	
8	112674700/0	1	Screw	
9	112154510/0	1	Nut	
10	127430574/0	1	Lifting Deck Lever Spring	
11	112729601/1	4	Screw	
12	327034087/0	1	Rod	
12	384002073/0	1	Deck Lifting Rear Rod Ass.Y	
13	125510056/0	1	Pin	
14	112295200/0	1	Hexagonal Nut	
15	112156602/0	1	Nut	
16	325670008/1	4	Washer	
17	112156602/0	1	Nut	
18	124487997/0	1	Cotter Pin	
19	384001019/0	1	Axle	
19	384001033/0	1	Axle	
20	327546015/1	2	Plate	
21	112731350/0	4	Screw	
22	325670008/1	2	Washer	
23	124487997/0	1	Cotter Pin	
24	125510007/2	1	Pin	
25	112156602/0	1	Nut	
26	112295200/0	1	Hexagonal Nut	
27	112794970/0	1	Screw	
28	112521360/0	2	Washer	
29	112154250/0	1	Hexagonal Nut	
30	325670008/1	2	Washer	
31	112156602/0	1	Nut	
32	127034065/0	1	Lifting Deck Control Rod	
33	125510040/1	1	Pin	
34	112293200/0	1	Hexagonal Nut	
35	112155000/0	1	Nut	
36	325670011/0	3	Antifriction Washer	
37	112155000/0	1	Nut	
38	124487997/0	1	Cotter Pin	



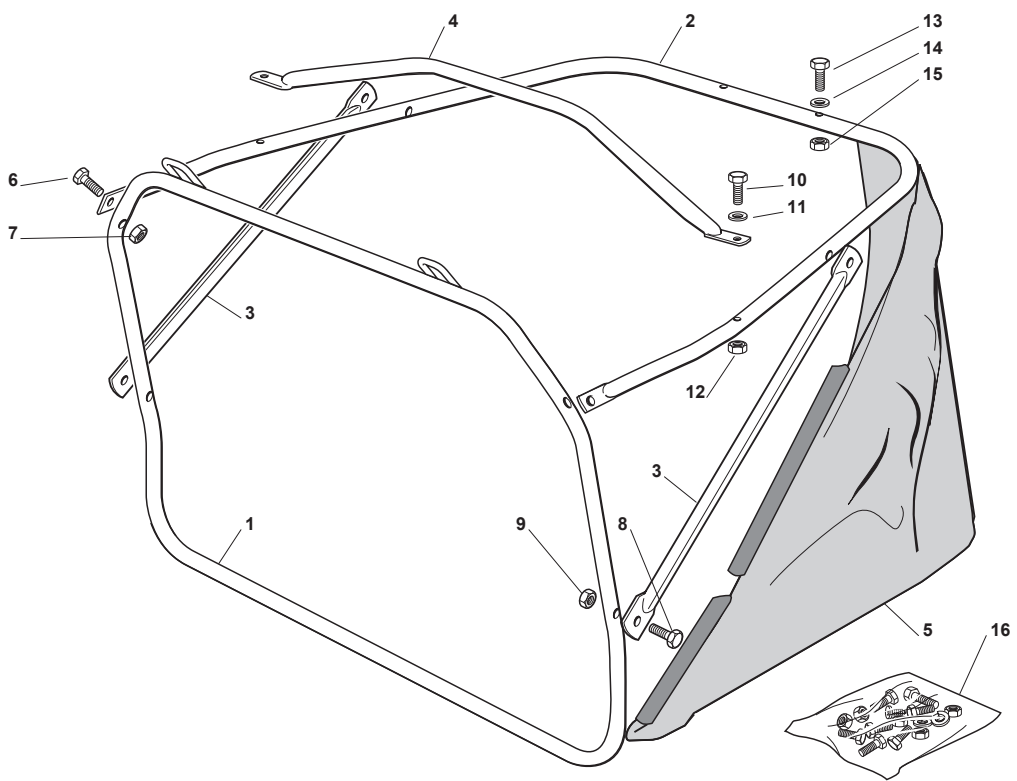
Baldes Engagement				
POS	CODE	Q.TY	DESCRIPTION	NOTES
1	127487001/0	1	Plastic Guide	
2	112791200/1	2	Screw	
3	112154510/0	2	Nut	
4	127510107/0	1	Fulcrum Pin	
5	325670011/0	1	Antifriction Washer	
6	322672152/0	1	Antifriction Washer	
7	112155000/0	1	Nut	
8	384317073/1	1	Lever	
9	321660100/0	2	Washer	
10	124487998/0	1	Cotter Pin	
12	112789020/0	1	Screw	
13	112154330/0	1	Low Self-Locking Nut	
14	184317079/0	1	Gearshift	
15	125394510/0	1	Knob	
31	384207104/1	1	Blades Engagement Wire	
32	118399065/1	1	Mechanical Clutch Ass.Y	
33	118399066/1	1	Clutch Lower Part	
34	112735460/0	1	Screw	
35	127430579/0	1	Clutch Spring	
36	122450110/0	1	Spring	



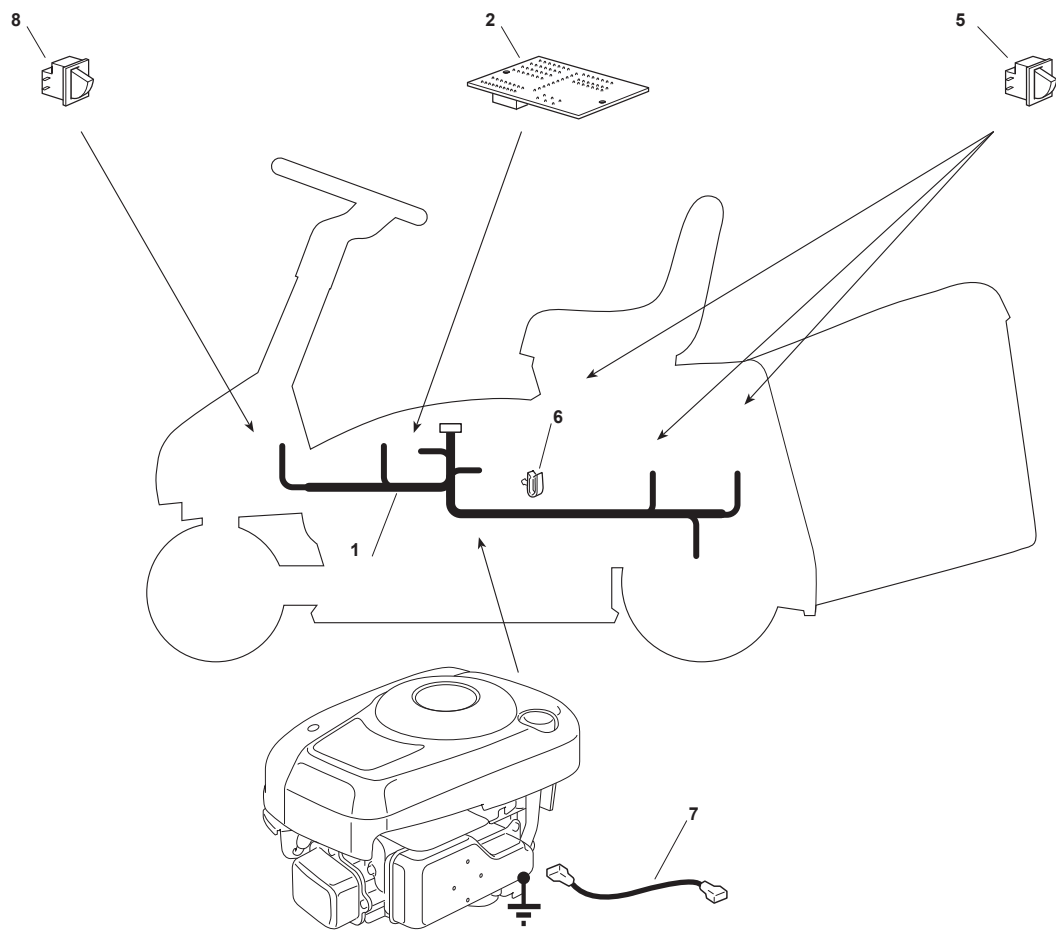
Cutting Deck				
POS	CODE	Q.TY	DESCRIPTION	NOTES
1	384564095/1	1	Cutting Plate Black	
2	125033060/0	1	Washing Cutting Deck Connection	
3	119035000/0	1	O.R. Ring	
4	112500030/0	1	Rivet	
5	384650103/0	1	Stiffening	
6	112815200/0	4	Screw	
8	112292102/0	4	Nut	
9	327772119/0	1	Clamp	
10	112818690/0	2	Screw	
11	112293201/0	2	Nut	
12	327772133/0	1	Clamp	
13	112818690/0	2	Screw	
14	112293201/0	2	Nut	
15	327772127/2	1	Clamp	
16	112818700/0	2	Screw	
17	112293201/0	2	Nut	
18	327753071/0	2	Angle Bracket	
19	112818690/0	2	Screw	
20	112293201/0	2	Nut	
21	384545063/0	1	Plate	
22	112792611/0	1	Screw	
23	112155000/0	1	Nut	
26	327230200/2	1	Rear Conveyor Fulcrum	
27	112815210/0	1	Screw	
28	112154510/0	1	Nut	
29	127510097/1	1	Pin	
30	124487997/0	2	Cotter Pin	
31	327600122/0	1	Plastic Clutch Protection	
32	112728530/0	5	Screw	
33	327787045/1	1	Blade Support	
34	112794110/0	2	Screw	
35	112540070/0	2	Washer	
36	184109504/0	1	Blade	
37	112793102/0	2	Screw	
38	112523060/0	4	Washer	
39	112155010/0	2	Self-Locking Nut	
40	127275000/0	1	Grommet	
41	112521330/0	1	Washer	
51	127107502/0	1	Conveyor	
52	327140056/0	1	Deflector	
53	112735402/0	5	Screw	
54	127650120/0	1	Stiffening	
55	112735410/0	2	Screw	



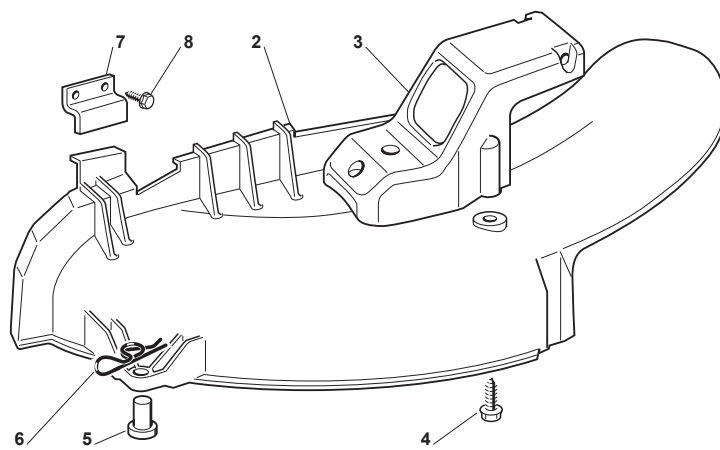
Gemagref				
POS	CODE	Q.TY	DESCRIPTION	NOTES
1	327060106/0	1		
2	127160058/0	1		
3	327773083/0	2		
4	327060107/0	1		



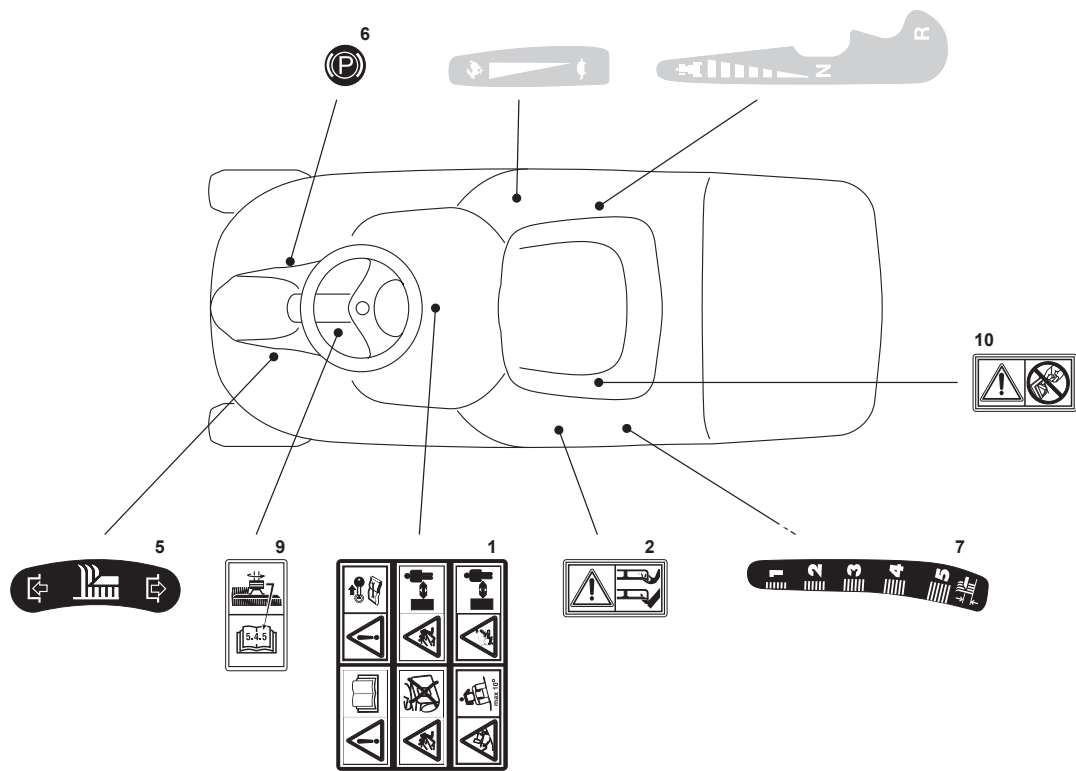
Grasscatcher				
POS	CODE	Q.TY	DESCRIPTION	NOTES
1	384801121/0	1	Front Frame	
2	384801119/0	1	Upper Frame	
3	327650129/0	2	Stiffening	
4	384394051/0	1	Handle	
5	184106068/0	1	Grasscatcher	
6	112789020/0	2	Screw	
7	112154330/0	2	Low Self-Locking Nut	
8	112789020/0	4	Screw	
9	112154330/0	4	Low Self-Locking Nut	
10	112789210/0	2	Screw	
11	112521331/0	2	Washer	
12	112154330/0	2	Low Self-Locking Nut	
13	112674530/0	2	Screw	
14	112521331/0	2	Washer	
15	112154330/0	2	Low Self-Locking Nut	
16	184180186/0	1	Screw	



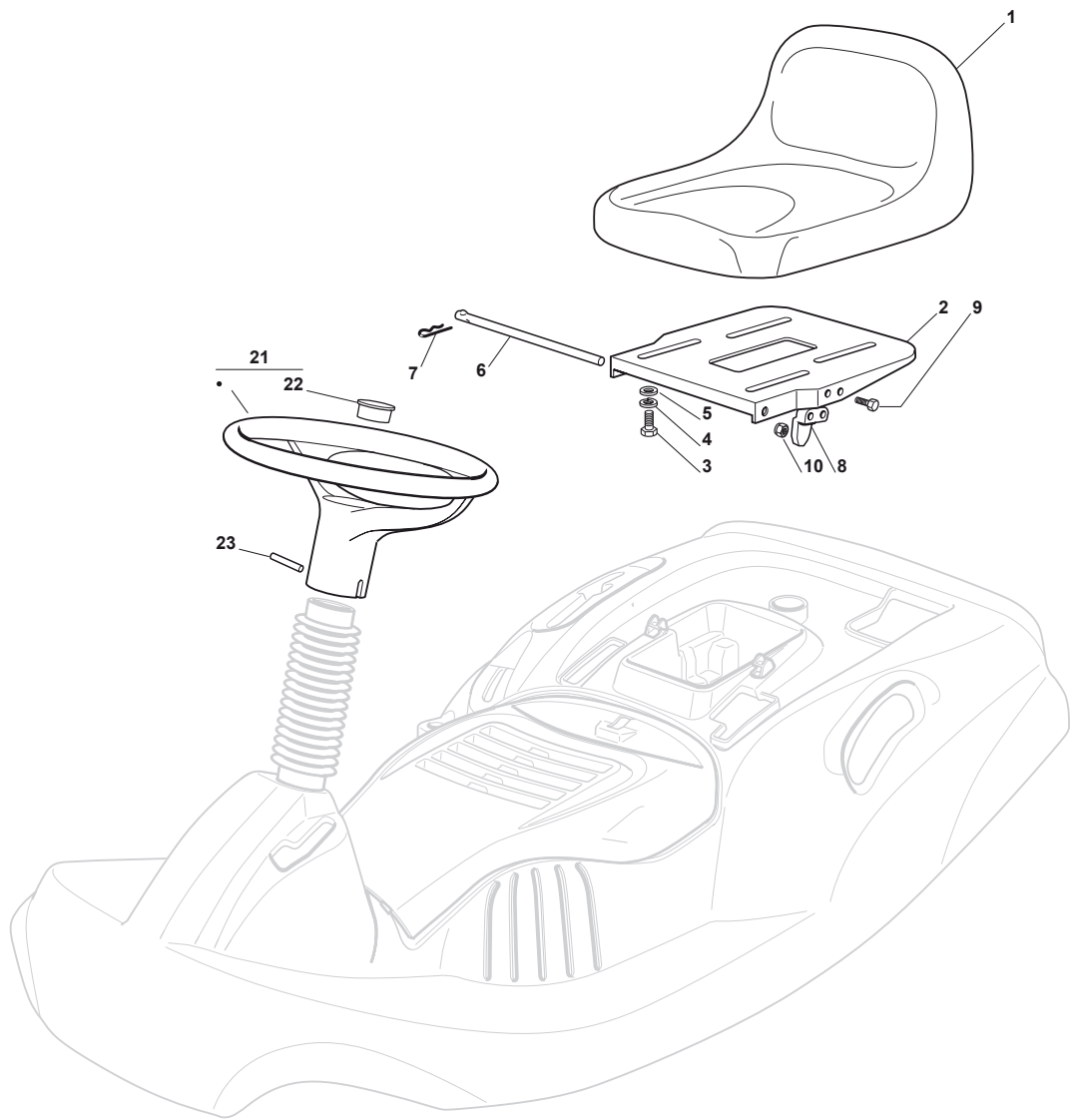
Electric Parts				
POS	CODE	Q.TY	DESCRIPTION	NOTES
1	184040128/0	1	Cables Ass.Y	
2	127722355/1	1	Electronic Card	
5	119410615/0	3	Micro Switch	
6	133320506/0	6	Fairlead	
7	127065064/0	1	Earth Cable	
8	119410612/0	1	Micro Switch	



Optionals On Request				
POS	CODE	Q.TY	DESCRIPTION	NOTES
2	327140052/0	1	Deflector	
3	327230201/0	1	Fulcrum	
4	112735410/0	3	Screw	
5	125510022/0	1	Pin	
6	124487998/0	1	Cotter Pin	
7	327772139/0	1	Clamp	
8	112735110/0	2	Screw	



Labels				
POS	CODE	Q.TY	DESCRIPTION	NOTES
1	114357428/1	1	Labels	
2	114356699/1	1	Labels	
5	114358418/0	1	Labels	
6	114358460/0	1	Labels	
7	114358417/0	1	Labels	
9	114358654/1	1	Labels	
10	114360118/0	1	Labels	



Seat & Steering Wheel				
POS	CODE	Q.TY	DESCRIPTION	NOTES
1	125722470/0	1	Seat	
2	327546039/1	1	Seat Support Plate	
3	112793101/0	4	Screw	
4	112583500/0	4	Grower	
5	112523060/0	4	Washer	
6	127864052/0	1	Seat Fulcrum Rod	
7	124487997/0	1	Cotter Pin	
8	327063021/1	1	Cam	
9	112789100/0	2	Screw	
10	112154330/0	2	Low Self-Locking Nut	
21	127961230/0	1	Steering Wheel	
22	325120230/0	1	Cover	
23	112620305/0	1	Elastic Pin	