

# ALPINK

[www.alpinagarden.com](http://www.alpinagarden.com)

## Parts Catalogue

### BT 84

### 2T2000404/A17 - Season 2017

- Use GLOBAL GARDEN PRODUCT Genuine Spare Parts specified in the parts list for repair and/or replacement.
- The contents described in the parts list may change due to improvement.
- The drawings of the spare parts are only indicative and might not represent the part in question exactly.
- The indications "right" - "left" - "front" - "rear" refer to the position of the operator when using the machine.
- When placing orders of parts for repair and/or replacement, make sure that the illustrated parts list is the one applying to the machine's year of manufacture, as shown on the identification plate attached to the machine.

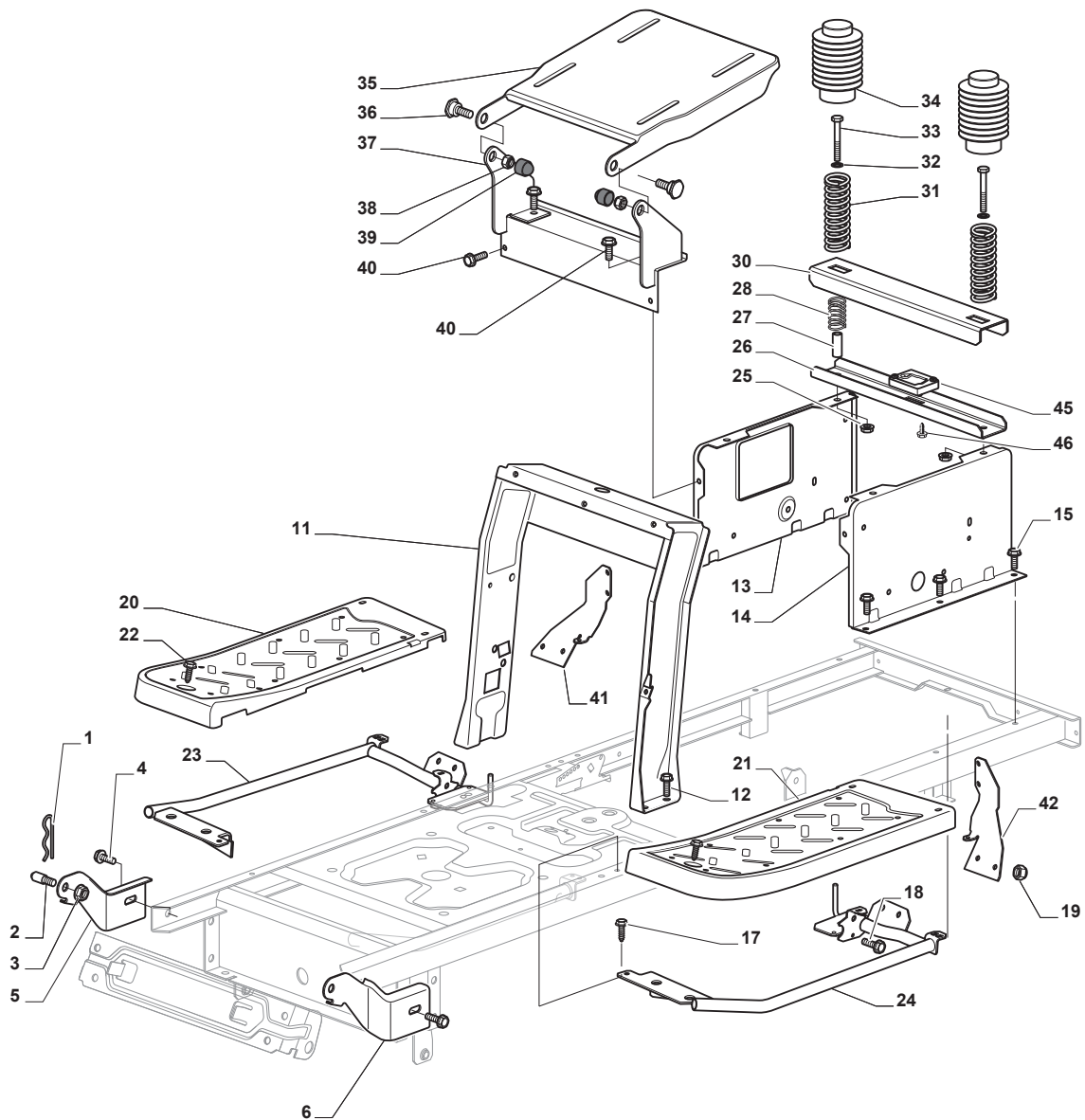
© Copyright 2017 Global Garden Products

All content is subject to copyright by Global Garden Products and may not be reproduced in whole or in part by any means, electronic or otherwise, without prior written approval.

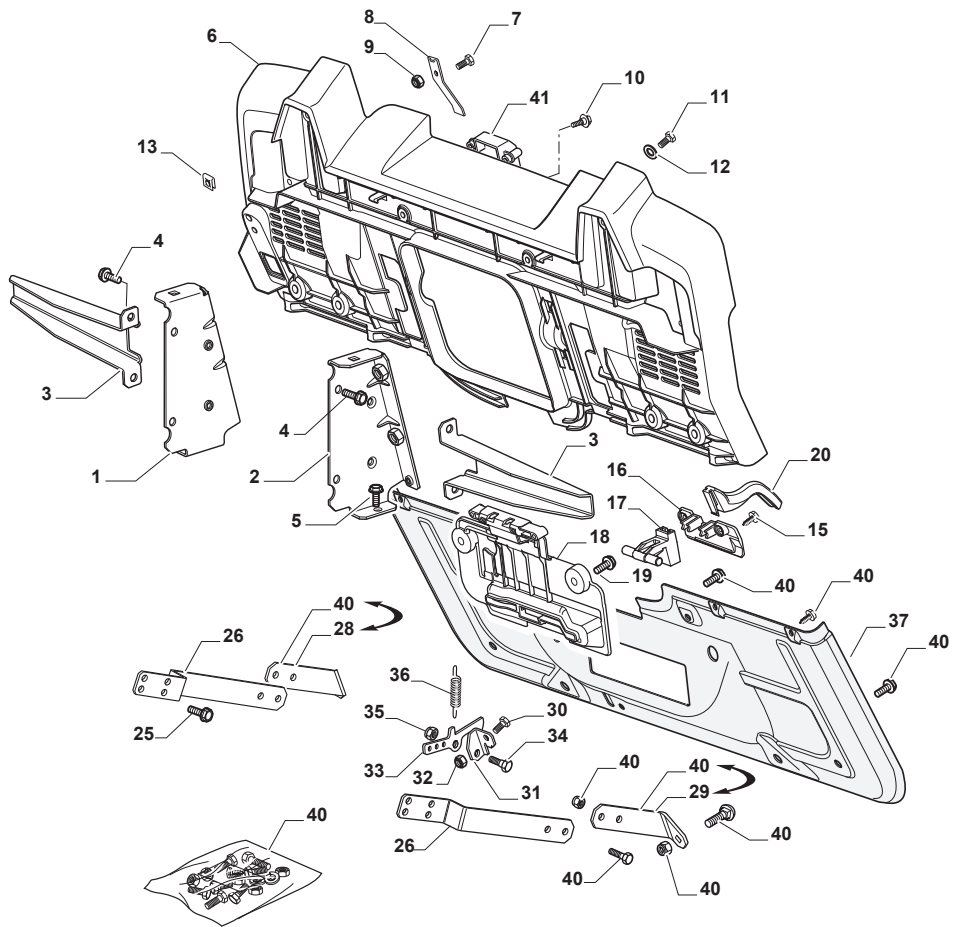
THIS INFORMATION IS NOT INTENDED FOR SALE OR RESALE, AND THIS NOTICE MUST REMAIN ON ALL COPIES.



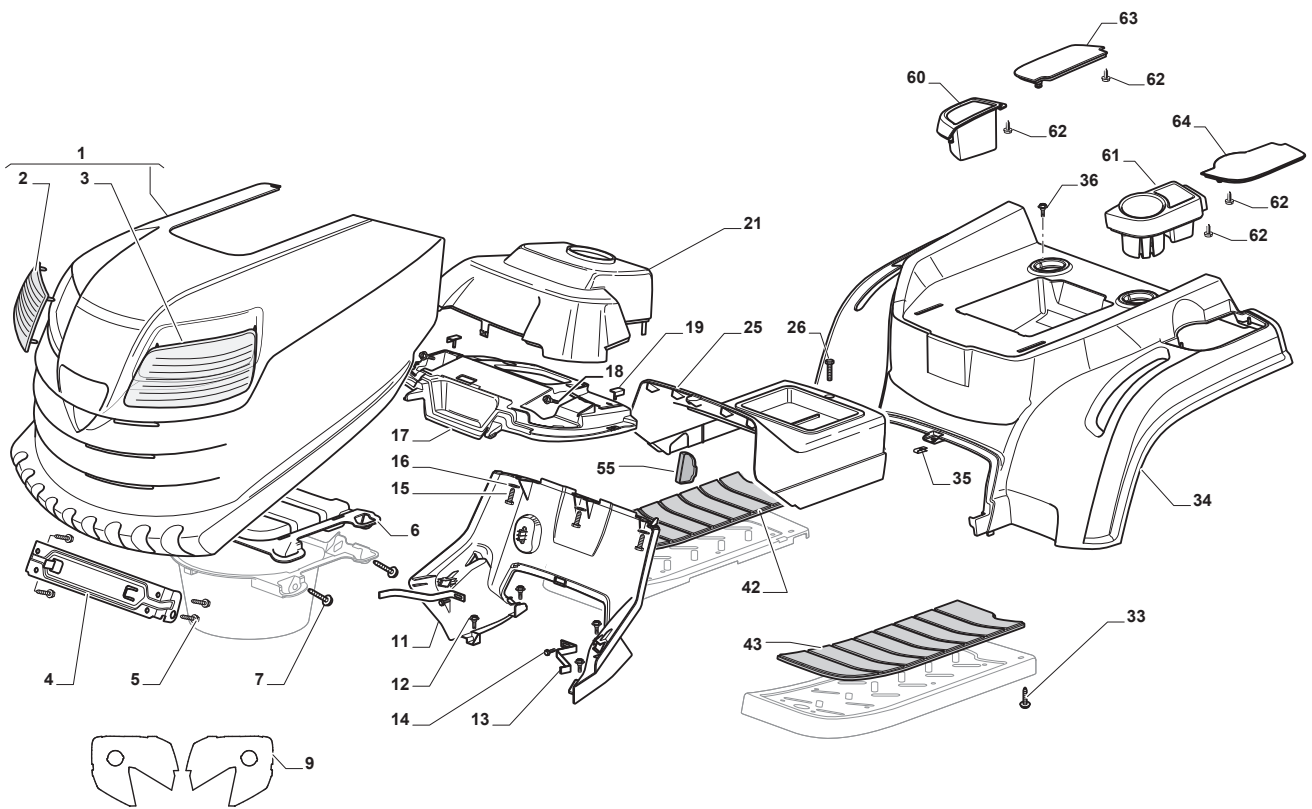
Engineered to amaze you



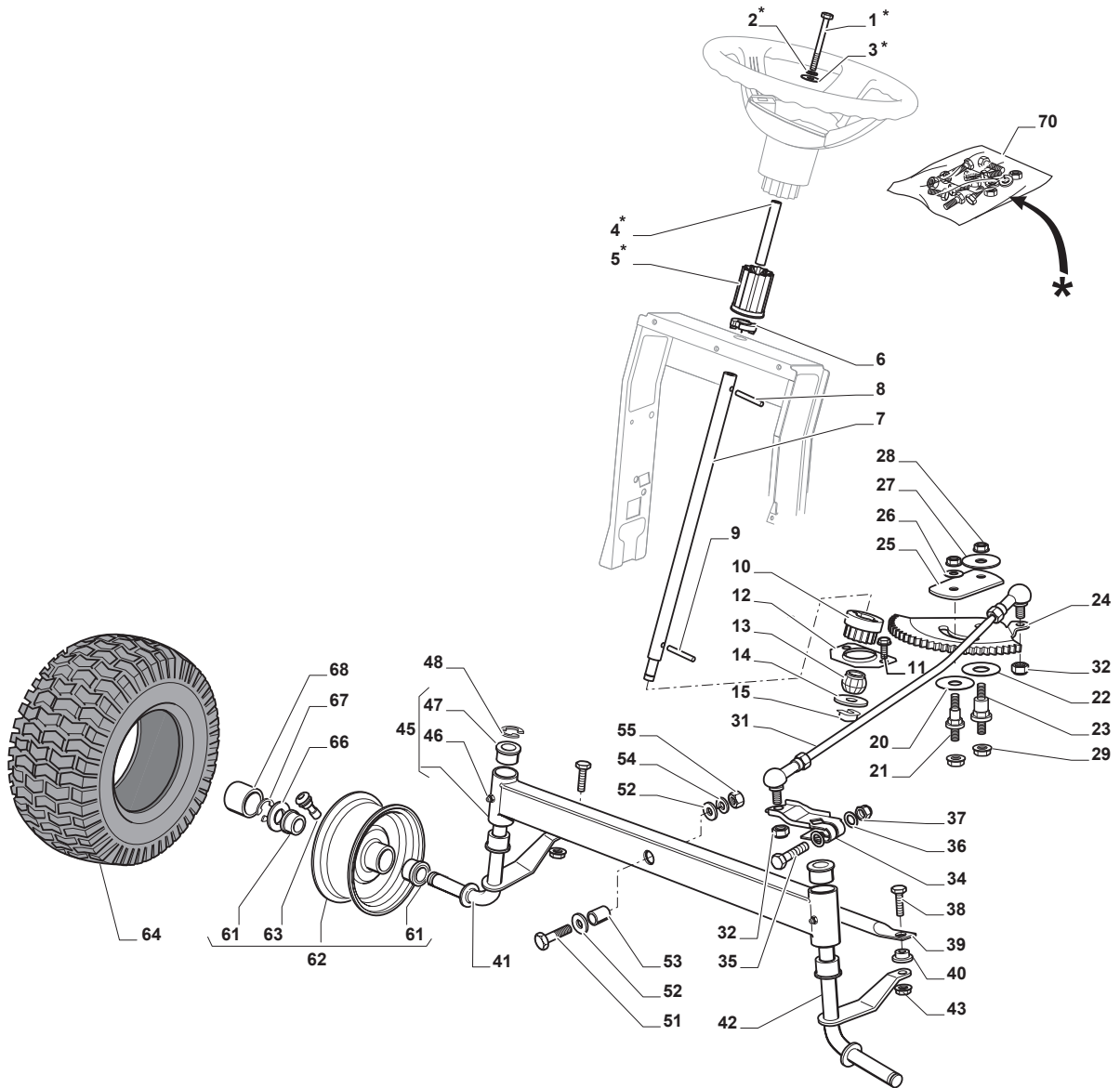
| Fig. | Q.ty | Part No     | Description             | Notes |
|------|------|-------------|-------------------------|-------|
| 1    | 1    | 124487998/0 | Cotter Pin              |       |
| 2    | 2    | 125510079/0 | Pin                     |       |
| 3    | 6    | 112155000/0 | Nut                     |       |
| 4    | 2    | 112735599/0 | Screw                   |       |
| 5    | 1    | 325547225/0 | Right Plate             |       |
| 6    | 1    | 325547227/0 | Left Plate              |       |
| 11   | 1    | 382785169/1 | Steering Column Support |       |
| 12   | 4    | 125943009/0 | Screw                   |       |
| 13   | 1    | 325785331/1 | Right Seat Support      |       |
| 14   | 1    | 325785333/1 | Left Seat Support       |       |
| 15   | 6    | 125943009/0 | Screw                   |       |
| 17   | 2    | 125943009/0 | Screw                   |       |
| 18   | 2    | 125943009/0 | Screw                   |       |
| 19   | 10   | 112155000/0 | Nut                     |       |
| 20   | 1    | 325500041/1 | Right Footboard         |       |
| 21   | 1    | 325500043/1 | Left Footboard          |       |
| 22   | 2    | 112735599/0 | Screw                   |       |
| 23   | 1    | 382785221/0 | Footboard Support       |       |
| 24   | 1    | 382785223/0 | Footboard Support       |       |
| 25   | 2    | 112293201/0 | Nut                     |       |
| 26   | 1    | 325820109/1 | Seat Support            |       |
| 27   | 2    | 125160077/0 | Spacer                  |       |
| 28   | 2    | 125430263/0 | Spring                  |       |
| 30   | 1    | 325820111/0 | Support                 |       |
| 31   | 2    | 125430264/0 | Spring                  |       |
| 32   | 2    | 112521350/0 | Washer                  |       |
| 33   | 2    | 112691400/0 | Screw                   |       |
| 34   | 2    | 325122002/0 | Hood                    |       |
| 35   | 1    | 382547061/0 | Plate                   |       |
| 36   | 2    | 122524970/3 | Pin                     |       |
| 37   | 1    | 382820151/0 | Seat Support            |       |
| 38   | 2    | 112155010/0 | Nut                     |       |
| 39   | 2    | 118203854/0 | Cap                     |       |
| 40   | 12   | 125943009/0 | Screw                   |       |
| 41   | 1    | 325650155/0 | Support                 |       |
| 42   | 1    | 325650157/0 | Support                 |       |
| 45   | 1    | 325785379/0 | Support                 |       |
| 46   | 2    | 112728686/0 | Screw                   |       |



| Fig. | Q.ty | Part No     | Description            | Notes |
|------|------|-------------|------------------------|-------|
| 1    | 1    | 325774501/0 | Clamp                  |       |
| 2    | 1    | 325774507/0 | Clamp                  |       |
| 3    | 2    | 325650163/0 | Stiffening             |       |
| 4    | 8    | 125943009/0 | Screw                  |       |
| 5    | 2    | 125943009/0 | Screw                  |       |
| 6    | 1    | 325547299/0 | Rear Plate, Upper Part |       |
| 7    | 1    | 112789008/0 | Screw                  |       |
| 8    | 1    | 127430600/0 | Spring                 |       |
| 9    | 1    | 112154330/0 | Nut                    |       |
| 10   | 4    | 125943010/0 | Screw                  |       |
| 11   | 6    | 112789008/0 | Screw                  |       |
| 12   | 6    | 112521320/0 | Washer                 |       |
| 13   | 6    | 112437503/0 | Plate                  |       |
| 15   | 2    | 112728686/0 | Screw                  |       |
| 16   | 1    | 325109522/0 | Protection Cover       |       |
| 17   | 1    | 325318276/0 | Gearshift              |       |
| 18   | 1    | 325785428/0 | Support                |       |
| 19   | 2    | 125943010/0 | Screw                  |       |
| 20   | 1    | 325318277/0 | Lever                  |       |
| 25   | 4    | 125943009/0 | Screw                  |       |
| 26   | 2    | 325774521/0 | Clamp                  |       |
| 28   | 1    | 325650151/0 | Stiffening             |       |
| 29   | 1    | 325650153/0 | Stiffening             |       |
| 30   | 1    | 112789008/0 | Screw                  |       |
| 31   | 1    | 325755061/0 | Bracket                |       |
| 32   | 1    | 112154330/0 | Nut                    |       |
| 33   | 1    | 325774533/0 | Clamp                  |       |
| 34   | 1    | 125510080/1 | Pin                    |       |
| 35   | 1    | 112154510/0 | Nut                    |       |
| 36   | 1    | 125430282/0 | Spring                 |       |
| 37   | 1    | 382547071/0 | Rear Plate, Lower Part |       |
| 40   | 1    | 382180121/0 | Screw                  |       |
| 41   | 1    | 325600107/0 | Protection             |       |

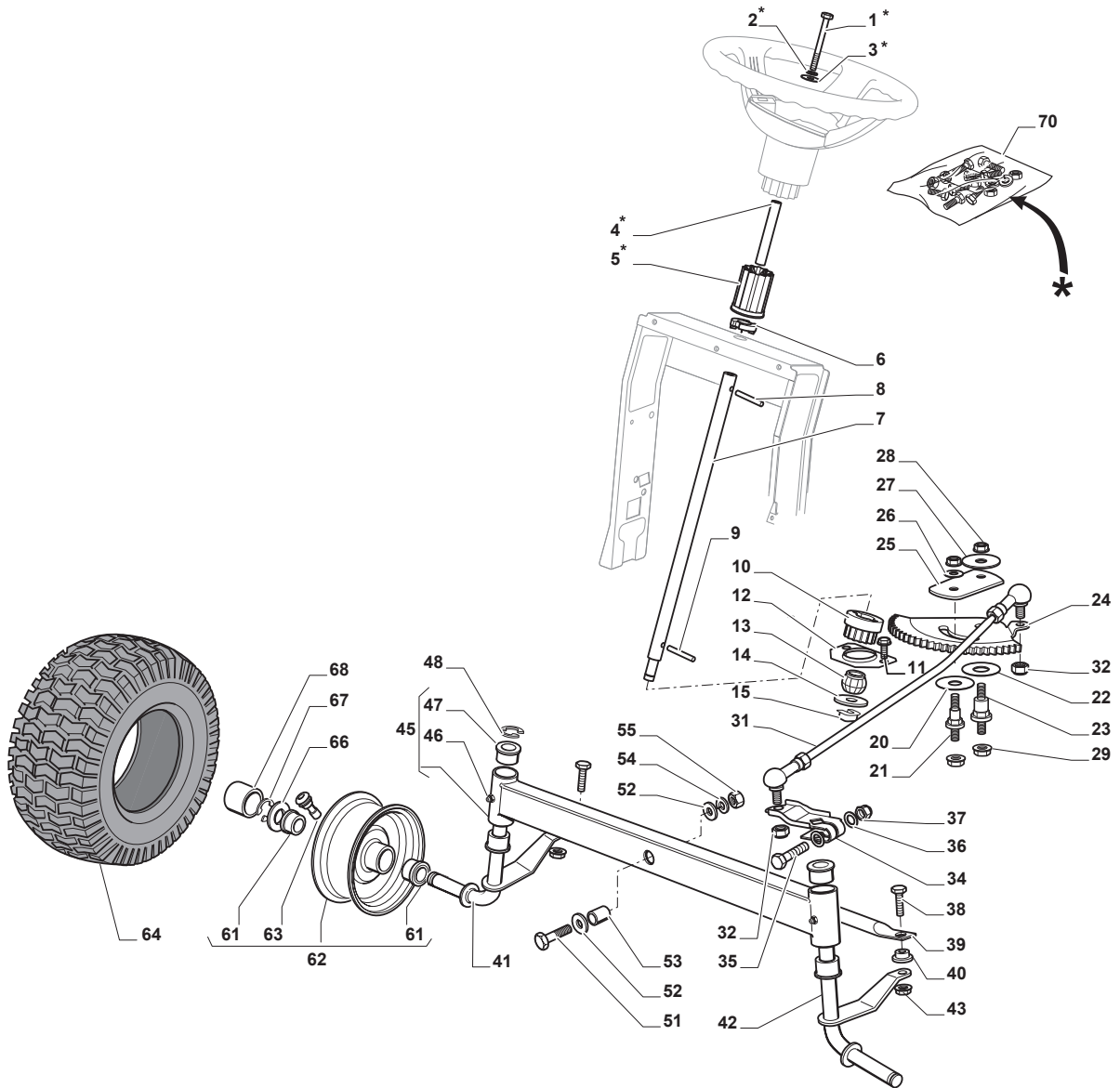


| Fig. | Q.ty | Part No     | Description           | Notes |
|------|------|-------------|-----------------------|-------|
| 1    | 1    | 325076899/1 | Engine Hood Black     |       |
| 2    | 1    | 325410887/0 | Right Grill           |       |
| 3    | 1    | 325410888/0 | Left Grill            |       |
| 4    | 1    | 325785317/0 | Engine Hood Support   |       |
| 5    | 4    | 112735403/0 | Screw                 |       |
| 6    | 1    | 325263302/1 | Air Intake Grill      |       |
| 7    | 4    | 112728692/0 | Screw                 |       |
| 9    | 1    | 114363452/0 | Label                 |       |
| 11   | 1    | 325785298/0 | Dashboard Support     |       |
| 12   | 4    | 125943010/0 | Screw                 |       |
| 13   | 2    | 325270325/0 | Guide                 |       |
| 14   | 6    | 112735599/0 | Screw                 |       |
| 15   | 3    | 112735406/0 | Screw                 |       |
| 16   | 3    | 112523040/0 | Washer                |       |
| 17   | 1    | 325120259/1 | Dashboard             |       |
| 18   | 2    | 125943010/0 | Screw                 |       |
| 19   | 2    | 325260003/0 | Grommet               |       |
| 21   | 1    | 325120203/0 | Cover                 |       |
| 25   | 1    | 325110397/1 | Cover, Black          |       |
| 26   | 1    | 125943010/0 | Screw                 |       |
| 33   | 4    | 112735406/0 | Screw                 |       |
| 34   | 1    | 325110435/0 | Black Wheels Cover    |       |
| 35   | 1    | 112437506/0 | Plate                 |       |
| 36   | 2    | 125943010/0 | Screw                 |       |
| 42   | 1    | 325110384/0 | Right Footboard Cover |       |
| 43   | 1    | 325110385/0 | Left Footboard Cover  |       |
| 55   | 1    | 325207191/0 | Plate                 |       |
| 60   | 1    | 325207198/0 | Cover                 |       |
| 61   | 1    | 325207199/0 | Cover                 |       |
| 62   | 4    | 112735403/0 | Screw                 |       |
| 63   | 1    | 325207196/0 | Cover                 |       |
| 64   | 1    | 325207197/0 | Cover                 |       |

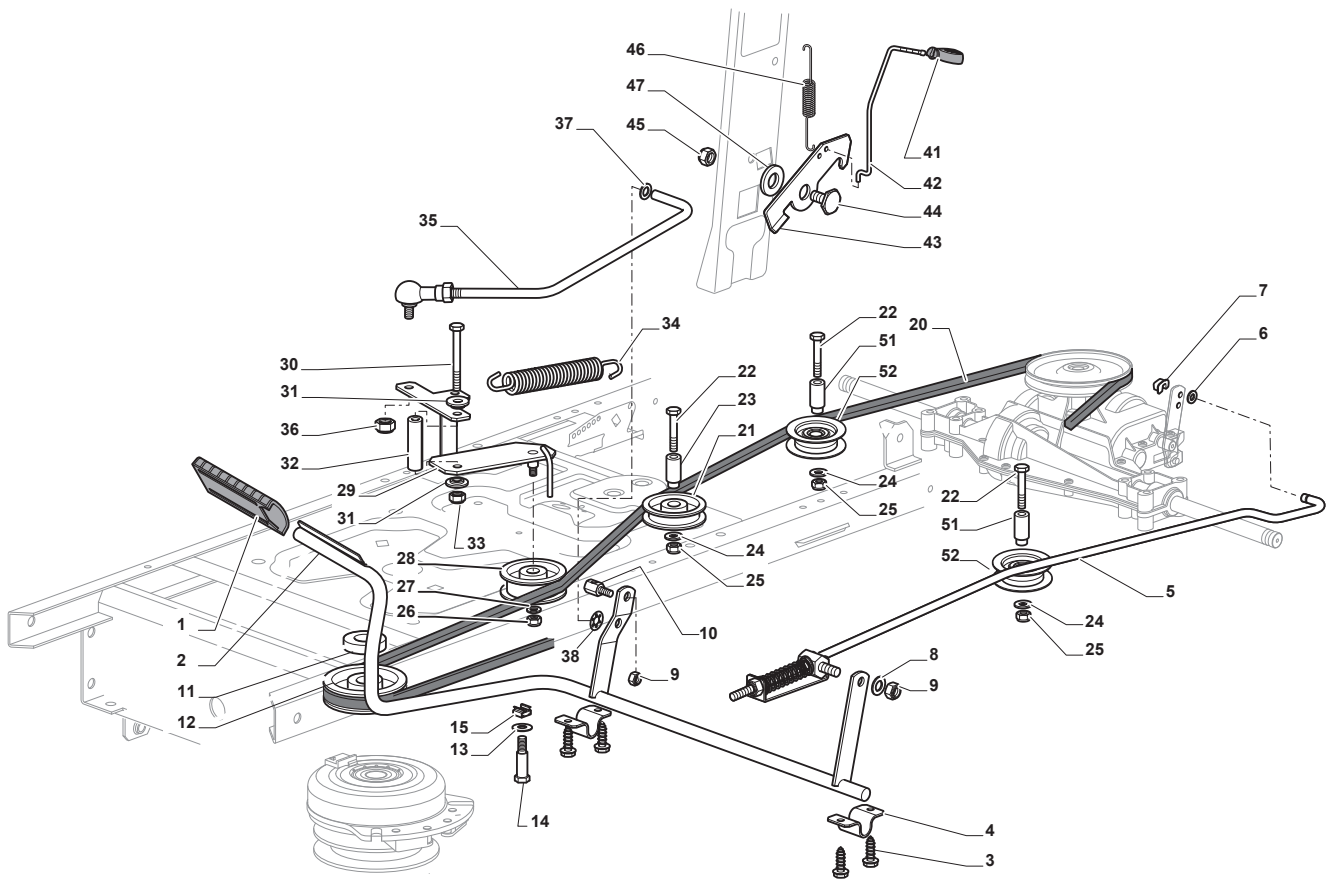




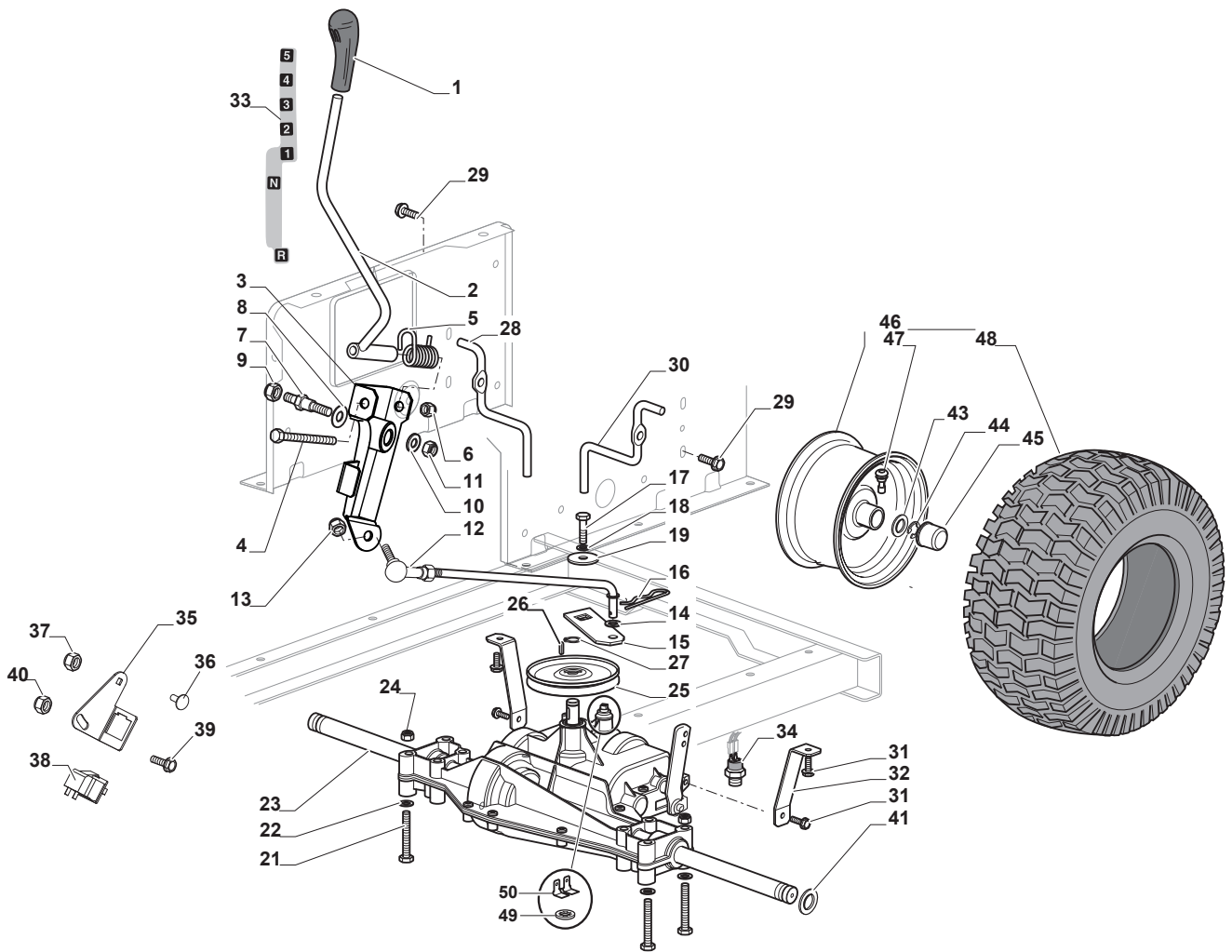
| Fig. | Q.ty | Part No     | Description                        | Notes |
|------|------|-------------|------------------------------------|-------|
| 1    | 1    | 112692050/0 | Screw                              |       |
| 2    | 1    | 112540260/0 | Grower                             |       |
| 3    | 1    | 112523070/0 | Washer                             |       |
| 4    | 1    | 125160047/0 | Spacer                             |       |
| 5    | 1    | 325785318/0 | Support                            |       |
| 6    | 1    | 325038008/0 | Bushing                            |       |
| 7    | 1    | 125520007/0 | Steering Column                    |       |
| 8    | 1    | 112620300/0 | Spring                             |       |
| 9    | 1    | 112622650/0 | Dowel pin                          |       |
| 10   | 1    | 125570003/0 | Pinion                             |       |
| 11   | 2    | 127943051/0 | Screw                              |       |
| 12   | 1    | 325785213/1 | Support                            |       |
| 13   | 1    | 325743000/0 | Joint                              |       |
| 14   | 1    | 112521370/0 | Washer                             |       |
| 15   | 1    | 112436030/0 | Plate                              |       |
| 20   | 1    | 322672151/0 | Antifriction Washer                |       |
| 21   | 1    | 125510104/0 | Pin                                |       |
| 22   | 1    | 125670023/0 | Washer                             |       |
| 23   | 1    | 125510109/0 | Pin                                |       |
| 24   | 1    | 325735519/0 | Steering Sector                    |       |
| 25   | 1    | 325547233/0 | Plate                              |       |
| 26   | 1    | 112369500/0 | Elastic Washer                     |       |
| 27   | 1    | 122160400/0 | Elastic Disc                       |       |
| 28   | 2    | 112155010/0 | Nut                                |       |
| 29   | 2    | 112154210/0 | Nut                                |       |
| 31   | 1    | 382000566/1 | Steering Rod                       |       |
| 32   | 2    | 112156602/0 | Nut                                |       |
| 34   | 1    | 325318243/0 | Lever                              |       |
| 35   | 1    | 112692390/0 | Screw                              |       |
| 36   | 2    | 112521360/0 | Washer                             |       |
| 37   | 1    | 112156602/0 | Nut                                |       |
| 38   | 2    | 125510103/0 | Pin                                |       |
| 39   | 1    | 325840029/0 | Tie Rod                            |       |
| 40   | 2    | 325038007/0 | Bushing                            |       |
| 41   | 1    | 382230369/0 | Right Stub Axle                    |       |
| 42   | 1    | 382230371/0 | Left Stub Axle                     |       |
| 43   | 2    | 112155000/0 | Nut                                |       |
| 45   | 1    | 382034030/0 | Equalizer With Bush And Lubricator |       |
| 46   | 2    | 112379511/0 | Grease Dispenser                   |       |
| 47   | 4    | 125034002/1 | Bushing                            |       |
| 48   | 1    | 112001010/0 | Benzing Ring                       |       |
| 51   | 1    | 112692695/0 | Screw                              |       |
| 52   | 2    | 112523100/0 | Washer                             |       |
| 53   | 1    | 125160016/1 | Spacer                             |       |
| 54   | 1    | 112587100/0 | Grower                             |       |
| 55   | 1    | 112295300/0 | Nut                                |       |
| 61   | 4    | 125122200/2 | Bearing                            |       |
| 62   | 2    | 182000598/0 | Rimm                               |       |
| 63   | 2    | 125950000/0 | Valve                              |       |
| 64   | 2    | 125590014/0 | Tyre                               |       |
| 66   | 2    | 125670005/2 | Washer                             |       |



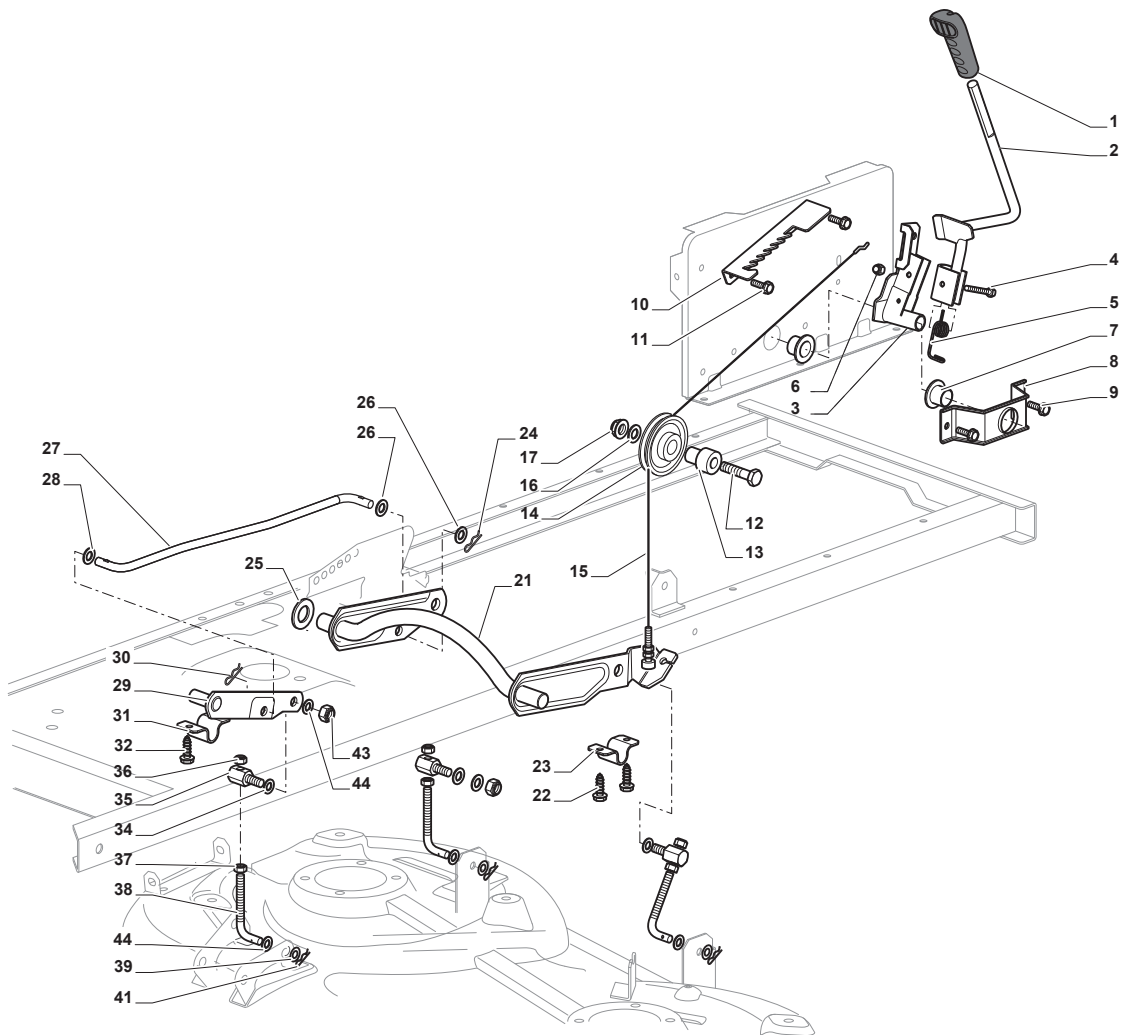
| Fig. | Q.ty | Part No     | Description    | Notes |
|------|------|-------------|----------------|-------|
| 67   | 2    | 112001010/0 | Benzing Ring   |       |
| 68   | 2    | 322110233/0 | Hub Cover      |       |
| 70   | 1    | 382180124/0 | Outfit, Screws |       |



| Fig. | Q.ty | Part No     | Description         | Notes |
|------|------|-------------|---------------------|-------|
| 1    | 1    | 325110391/0 | Clamp Cover         |       |
| 2    | 1    | 382500047/1 | Pedal               |       |
| 3    | 4    | 112735599/0 | Screw               |       |
| 4    | 2    | 325547231/0 | Plate               |       |
| 5    | 1    | 382000568/0 | Rod                 |       |
| 6    | 1    | 112521350/0 | Washer              |       |
| 7    | 1    | 112436050/0 | Plate               |       |
| 8    | 1    | 325670011/0 | Antifriction Washer |       |
| 9    | 1    | 112155000/0 | Nut                 |       |
| 10   | 1    | 125510116/0 | Pin                 |       |
| 11   | 1    | 125160021/0 | Spacer              |       |
| 12   | 1    | 125601567/0 | Pulley              |       |
| 13   | 2    | 112524010/0 | Washer              |       |
| 14   | 2    | 125580030/0 | Belt Guide Peg      |       |
| 15   | 2    | 112360425/0 | Nut                 |       |
| 20   | 1    | 135062018/0 | Belt                |       |
| 21   | 1    | 325601599/0 | Pulley              |       |
| 22   | 3    | 112691400/0 | Screw               |       |
| 23   | 1    | 125160083/0 | Spacer              |       |
| 24   | 3    | 112523060/0 | Washer              |       |
| 25   | 3    | 112155000/0 | Nut                 |       |
| 26   | 1    | 112155000/0 | Nut                 |       |
| 27   | 1    | 112523060/0 | Washer              |       |
| 28   | 1    | 125601554/0 | Pulley              |       |
| 29   | 1    | 382318283/0 | Lever               |       |
| 30   | 1    | 112691600/0 | Screw               |       |
| 31   | 2    | 125038002/1 | Bushing             |       |
| 32   | 1    | 125160027/0 | Spacer              |       |
| 33   | 1    | 112155000/0 | Nut                 |       |
| 34   | 1    | 125430262/0 | Spring              |       |
| 35   | 1    | 382820016/1 | Tie Rod             |       |
| 36   | 1    | 112293201/0 | Nut                 |       |
| 37   | 1    | 124487997/0 | Cotter Pin          |       |
| 38   | 1    | 112604899/0 | Crown Fastener      |       |
| 41   | 1    | 125394509/1 | Knob                |       |
| 42   | 1    | 125033113/0 | Rod                 |       |
| 43   | 1    | 325253011/1 | Hook                |       |
| 44   | 1    | 122524970/2 | Fulcrum Pin         |       |
| 45   | 1    | 112155000/0 | Nut                 |       |
| 46   | 1    | 125430213/0 | Spring              |       |
| 47   | 1    | 112523060/0 | Washer              |       |
| 51   | 2    | 125160068/0 | Spacer              |       |
| 52   | 2    | 125601592/0 | Pulley              |       |



| Fig. | Q.ty | Part No     | Description            | Notes                                    |
|------|------|-------------|------------------------|--|
| 1    | 1    | 325394532/0 | Knob                   |  |
| 2    | 1    | 382318257/0 | Lever                  |  |
| 3    | 1    | 382774259/1 | Clamp                  |  |
| 4    | 1    | 112692050/0 | Screw                  |  |
| 5    | 1    | 125430226/0 | Spring                 |  |
| 6    | 1    | 112155000/0 | Nut                    |  |
| 7    | 1    | 125510035/0 | Pin                    |  |
| 8    | 1    | 322672151/0 | Antifriction Washer    |  |
| 9    | 1    | 112155010/0 | Nut                    |  |
| 10   | 1    | 112523060/0 | Washer                 |  |
| 11   | 1    | 112155010/0 | Nut                    |  |
| 12   | 1    | 382000567/0 | Rod                    |  |
| 13   | 1    | 112154210/0 | Nut                    |  |
| 14   | 1    | 112521340/0 | Washer                 |  |
| 15   | 1    | 325318235/0 | Lever                  |  |
| 16   | 1    | 112141418/0 | Cotter Pin             |  |
| 17   | 1    | 112735520/0 | Screw                  |  |
| 18   | 1    | 112540040/0 | Washer                 |  |
| 19   | 1    | 322680009/0 | Washer                 |  |
| 21   | 4    | 112691600/0 | Screw                  |  |
| 22   | 4    | 112521350/0 | Washer                 |  |
| 23   | 1    | 118400910/3 | Transmission           |  |
| 24   | 4    | 112155000/0 | Nut                    |  |
| 25   | 1    | 182601509/0 | Pulley                 |  |
| 26   | 1    | 112139430/0 | Key                    |  |
| 27   | 1    | 112608950/0 | Seeger                 |  |
| 28   | 1    | 125270329/0 | Belt Guide             |  |
| 29   | 2    | 112735599/0 | Screw                  |  |
| 30   | 1    | 125270330/0 | Belt Guide             |  |
| 31   | 4    | 125943009/0 | Screw                  |  |
| 32   | 2    | 325785315/0 | Support                |  |
| 33   | 1    | 114366141/0 | Label                  |  |
| 34   | 1    | 119410608/1 | Neutral Switch (Mech.) |  |
| 35   | 1    | 325785483/0 | Support                |  |
| 36   | 2    | 112815200/0 | Screw                  |  |
| 37   | 2    | 112154510/0 | Nut                    |  |
| 38   | 1    | 119410614/0 | Microswitch            |  |
| 39   | 2    | 112792611/0 | Screw                  |  |
| 40   | 2    | 112155000/0 | Nut                    |  |
| 41   | 2    | 125670005/2 | Washer                 |  |
| 43   | 6    | 125670005/2 | Washer                 |  |
| 44   | 2    | 112001010/0 | Benzing Ring           |  |
| 45   | 2    | 322110233/0 | Hub Cover              |  |
| 46   | 2    | 382000597/0 | Rimm                   |  |
| 47   | 2    | 125950000/0 | Valve                  |  |
| 48   | 2    | 125590015/0 | Tyre                   |  |
| 49   | 2    | 112540221/0 | Washer                 |  |
| 50   | 2    | 133800001/0 | Faston Terminal        | No longer provided with the transmission |

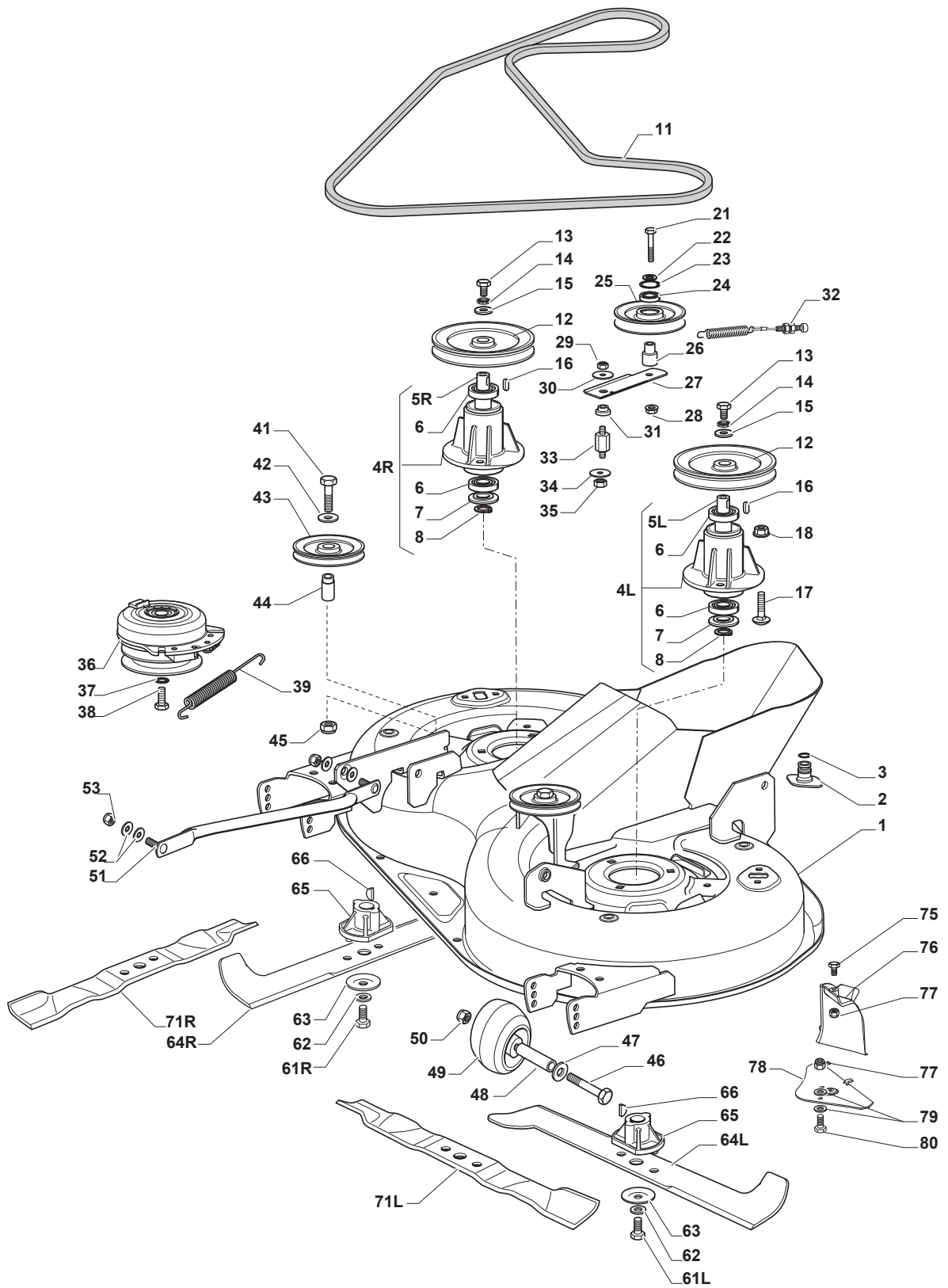




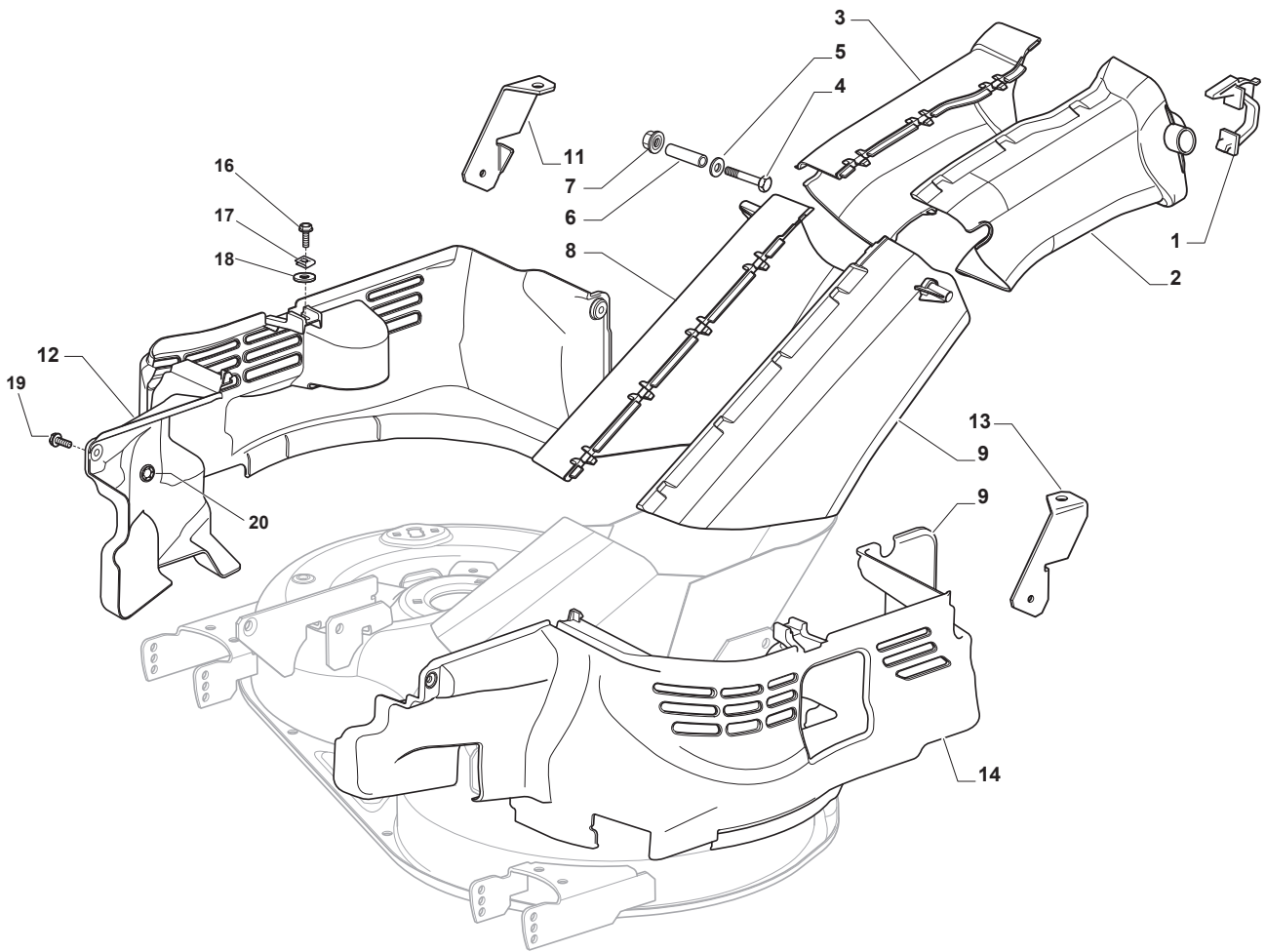
| Fig. | Q.ty | Part No     | Description         | Notes |
|------|------|-------------|---------------------|-------|
| 1    | 1    | 325394533/0 | Knob                |       |
| 2    | 1    | 382318255/0 | Lever               |       |
| 3    | 1    | 382318231/0 | Axle                |       |
| 4    | 1    | 112674700/0 | Screw               |       |
| 5    | 1    | 125430261/0 | Spring              |       |
| 6    | 1    | 112154510/0 | Nut                 |       |
| 7    | 2    | 325038006/0 | Bushing             |       |
| 8    | 1    | 325785297/0 | Support             |       |
| 9    | 2    | 125943009/0 | Screw               |       |
| 10   | 1    | 325735515/0 | Steering Sector     |       |
| 11   | 2    | 125943009/0 | Screw               |       |
| 12   | 1    | 112793701/0 | Screw               |       |
| 13   | 1    | 125040636/1 | Bushing             |       |
| 14   | 1    | 125601579/0 | Pulley              |       |
| 15   | 1    | 382004620/0 | Wire                |       |
| 16   | 1    | 112523060/0 | Washer              |       |
| 17   | 1    | 112293201/0 | Nut                 |       |
| 21   | 1    | 382318297/0 | Axle                |       |
| 22   | 4    | 112735599/0 | Screw               |       |
| 23   | 2    | 325547231/0 | Plate               |       |
| 24   | 1    | 124487997/0 | Cotter Pin          |       |
| 25   | 2    | 112521390/0 | Washer              |       |
| 26   | 2    | 325670010/0 | Antifriction Washer |       |
| 27   | 1    | 125033109/0 | Connecting Rod      |       |
| 28   | 1    | 325670010/0 | Antifriction Washer |       |
| 29   | 1    | 382318293/0 | Axle                |       |
| 30   | 1    | 124487997/0 | Cotter Pin          |       |
| 31   | 1    | 325547231/0 | Plate               |       |
| 32   | 2    | 112735599/0 | Screw               |       |
| 34   | 3    | 325670008/1 | Washer              |       |
| 35   | 3    | 125510107/1 | Pin                 |       |
| 36   | 3    | 112156602/0 | Nut                 |       |
| 37   | 3    | 112295200/0 | Nut                 |       |
| 38   | 3    | 125840012/0 | Tie Rod             |       |
| 39   | 3    | 325670008/1 | Washer              |       |
| 41   | 3    | 124487998/0 | Cotter Pin          |       |
| 43   | 3    | 112156602/0 | Nut                 |       |
| 44   | 6    | 112521360/0 | Washer              |       |



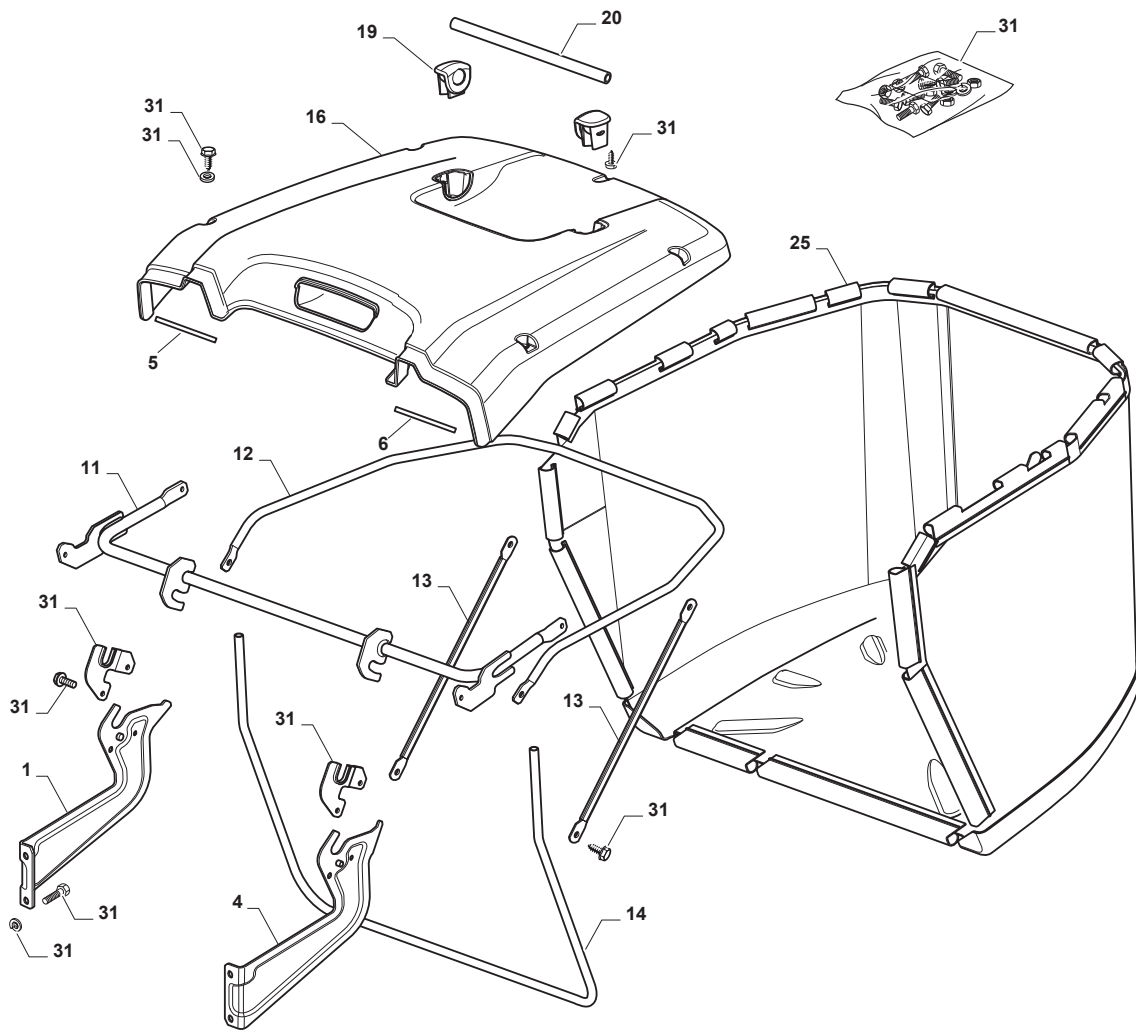
| Fig. | Q.ty | Part No     | Description            | Notes    |
|------|------|-------------|------------------------|----------|
| 1    | 1    | 382564113/0 | Cutting Plate Black    |          |
| 2    | 2    | 325033086/0 | Water Hose Connection  |          |
| 3    | 2    | 119035000/0 | Or Ring                |          |
| 4    | 1    | 382207205/1 | Flange Assy            | Pos. 4R  |
| 4    | 1    | 382207204/1 | Flange Assy            | Pos. 4L  |
| 5    | 1    | 125020804/0 | Shaft                  | Pos. 5L  |
| 5    | 1    | 125020805/0 | Shaft                  | Pos. 5R  |
| 6    | 4    | 119216040/0 | Bearing                |          |
| 7    | 2    | 325160501/0 | Dust Cover Disc        |          |
| 8    | 2    | 112609260/0 | Seeger                 |          |
| 11   | 1    | 135061508/0 | Belt                   |          |
| 12   | 2    | 125601585/1 | Pulley                 |          |
| 13   | 2    | 112793102/0 | Screw                  |          |
| 14   | 2    | 112540260/0 | Grower                 |          |
| 15   | 2    | 125670007/0 | Washer                 |          |
| 16   | 2    | 112139480/0 | Feather                |          |
| 17   | 6    | 112818690/0 | Screw                  |          |
| 18   | 6    | 112154210/0 | Nut                    |          |
| 21   | 1    | 112691400/0 | Screw                  |          |
| 22   | 1    | 112524010/0 | Washer                 |          |
| 23   | 1    | 112610800/0 | Seeger                 |          |
| 24   | 1    | 119216048/0 | Bearing                |          |
| 25   | 1    | 125601595/0 | Pulley                 |          |
| 26   | 1    | 125160052/0 | Spacer                 |          |
| 27   | 1    | 325318289/0 | Lever                  |          |
| 28   | 1    | 112293201/0 | Nut                    |          |
| 29   | 1    | 112155020/0 | Nut                    |          |
| 30   | 1    | 125670022/0 | Washer                 |          |
| 31   | 1    | 125040635/0 | Bushing                |          |
| 32   | 1    | 382004618/0 | Wire                   |          |
| 33   | 1    | 125160049/0 | Spacer                 |          |
| 34   | 1    | 112523080/0 | Washer                 |          |
| 35   | 1    | 112156602/0 | Nut                    |          |
| 36   | 1    | 118399069/0 | Electromagnetic Clutch |          |
| 37   | 1    | 112543000/0 | Washer                 |          |
| 38   | 1    | 112737320/0 | Screw                  |          |
| 39   | 1    | 125430277/0 | Spring                 |          |
| 41   | 2    | 112691400/0 | Screw                  |          |
| 42   | 2    | 112523060/0 | Washer                 |          |
| 43   | 1    | 325601599/0 | Pulley                 |          |
| 44   | 2    | 125160082/0 | Spacer                 |          |
| 45   | 2    | 112155000/0 | Nut                    |          |
| 46   | 2    | 112692100/0 | Screw                  |          |
| 47   | 2    | 112523060/0 | Washer                 |          |
| 48   | 2    | 125160072/0 | Spacer                 |          |
| 49   | 2    | 182700005/0 | Anti Scalp Wheel Ø 90  |          |
| 50   | 2    | 112293201/0 | Nut                    |          |
| 51   | 2    | 382000565/0 | Equalizer Rod          |          |
| 52   | 8    | 325670008/1 | Washer                 |          |
| 53   | 4    | 112156602/0 | Nut                    |          |
| 61   | 1    | 112735694/0 | Screw                  | Pos. 61L |



| Fig. | Q.ty | Part No     | Description          | Notes               |
|------|------|-------------|----------------------|---------------------|
| 61   | 1    | 112735695/1 | Screw                | Pos. 61R            |
| 62   | 2    | 112523080/0 | Washer               |                     |
| 63   | 2    | 122160400/0 | Elastic Disc         |                     |
| 64   | 1    | 182004358/0 | Right Blade, Winged  | Pos. 64R - Winged   |
| 64   | 1    | 182004359/0 | Left Blade, Winged   | Pos. 64L - Winged   |
| 65   | 2    | 125463200/0 | Blade Hub            |                     |
| 66   | 2    | 112139100/0 | Key                  |                     |
| 71   | 1    | 182004360/0 | Right Mulching Blade | Pos. 71R - Mulching |
| 71   | 1    | 182004361/0 | Left Mulching Blade  | Pos. 71L - Mulching |
| 75   | 3    | 112791213/1 | Screw                |                     |
| 76   | 1    | 325140108/0 | Deflector            |                     |
| 77   | 4    | 112154510/0 | Nut                  |                     |
| 78   | 1    | 325785418/0 | Support              |                     |
| 79   | 4    | 112523040/0 | Washer               |                     |
| 80   | 1    | 112790781/0 | Screw                |                     |

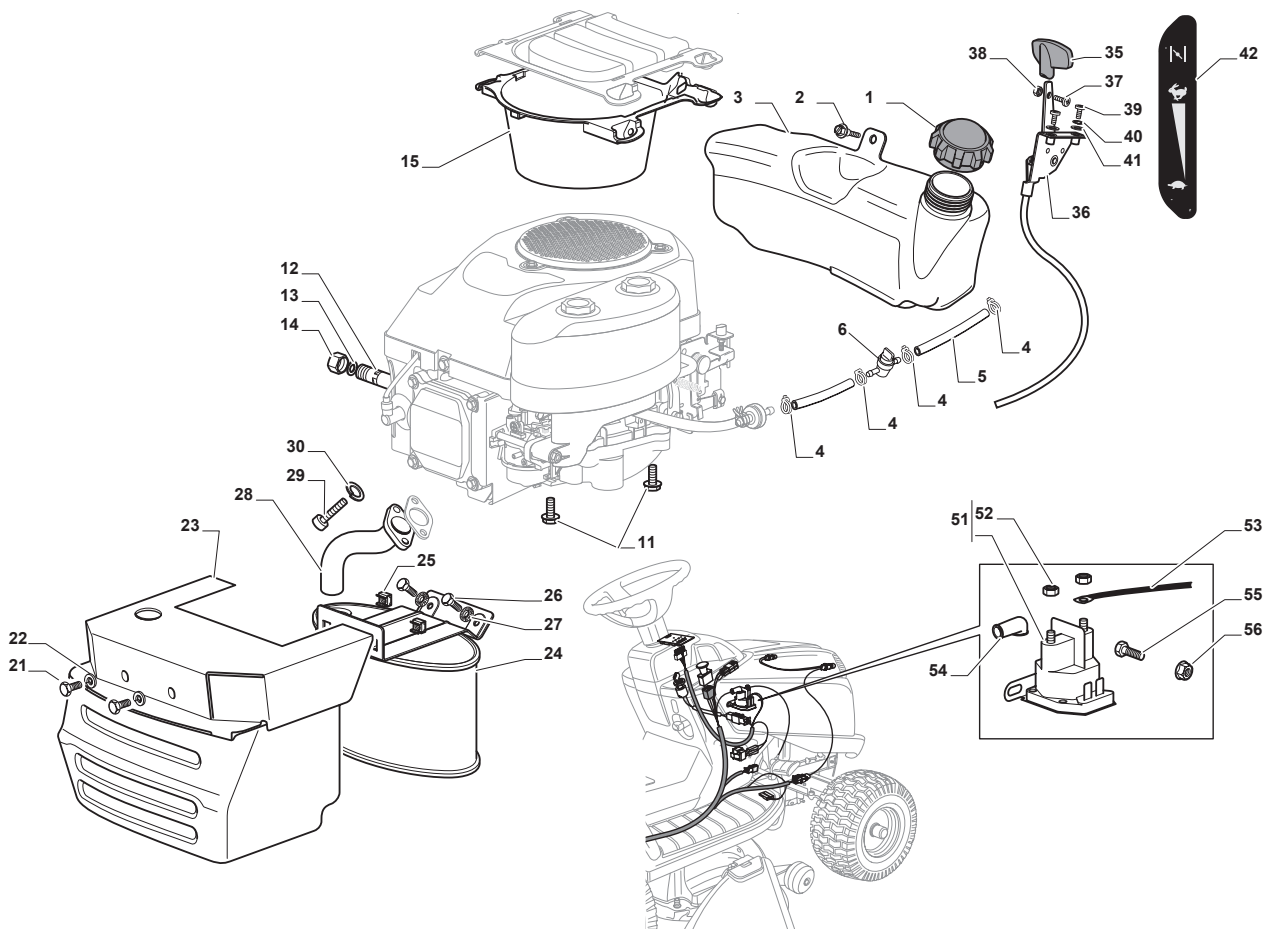


| Fig. | Q.ty | Part No     | Description    | Notes |
|------|------|-------------|----------------|-------|
| 1    | 2    | 325774499/0 | Clamp          |       |
| 2    | 1    | 325108056/0 | Conveyor       |       |
| 3    | 1    | 325108057/0 | Conveyor       |       |
| 4    | 2    | 112792425/0 | Screw          |       |
| 5    | 2    | 112521330/0 | Washer         |       |
| 6    | 2    | 125160071/0 | Spacer         |       |
| 7    | 2    | 112154510/0 | Nut            |       |
| 8    | 1    | 325108064/0 | Conveyor       |       |
| 9    | 1    | 325108065/0 | Conveyor       |       |
| 11   | 1    | 325774527/0 | Clamp          |       |
| 12   | 1    | 325060168/0 | Case           |       |
| 13   | 1    | 325774529/0 | Clamp          |       |
| 14   | 1    | 325060169/0 | Case           |       |
| 16   | 2    | 112789008/0 | Screw          |       |
| 17   | 2    | 112437503/0 | Plate          |       |
| 18   | 2    | 112523020/0 | Washer         |       |
| 19   | 4    | 125943011/0 | Screw          |       |
| 20   | 4    | 112604899/0 | Crown Fastener |       |

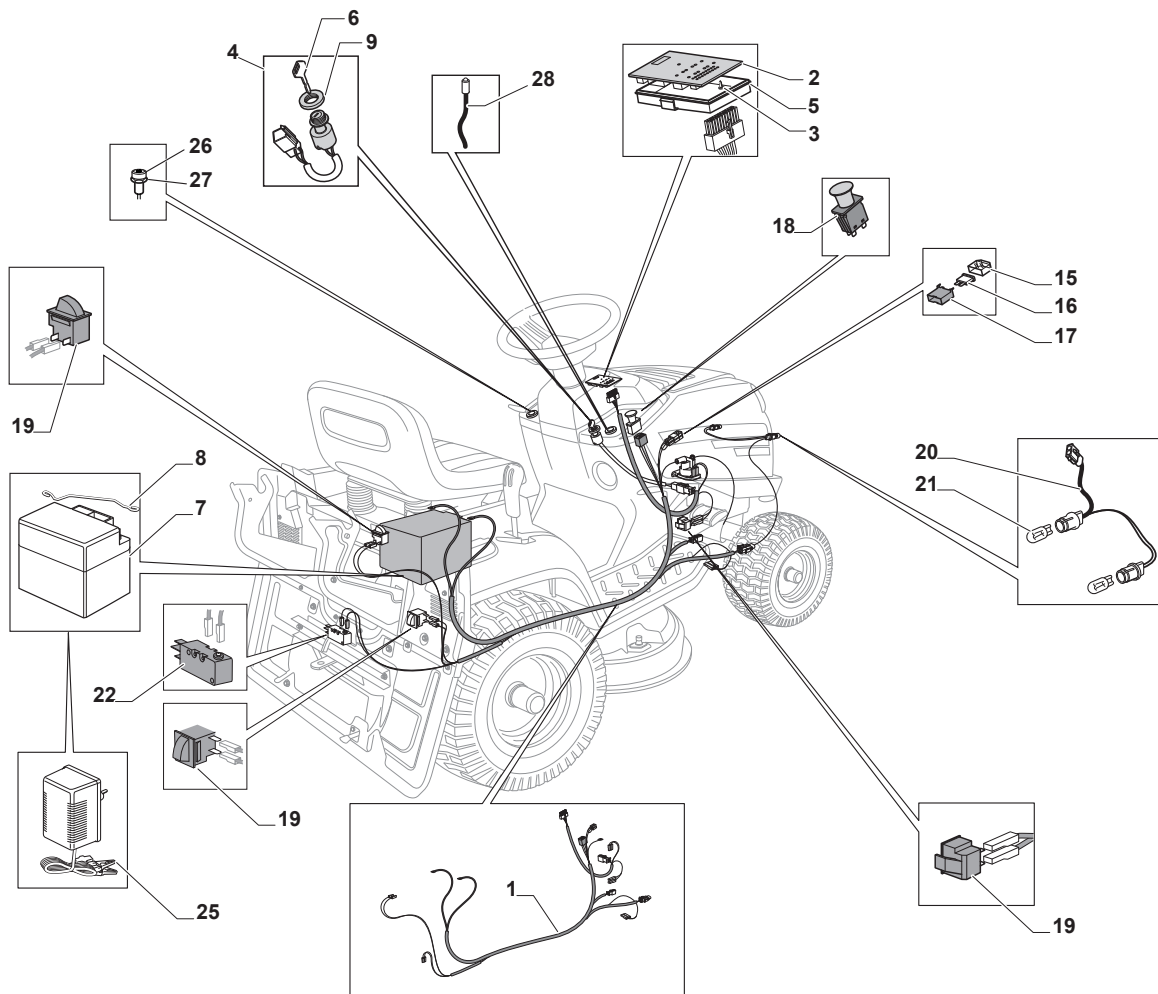




| Fig. | Q.ty | Part No     | Description               | Notes |
|------|------|-------------|---------------------------|-------|
| 1    | 1    | 325785377/0 | Support                   |       |
| 4    | 1    | 325785383/0 | Support                   |       |
| 11   | 1    | 382800147/0 | Upper Frame               |       |
| 12   | 1    | 125270802/0 | Seal                      |       |
| 13   | 2    | 125270803/0 | Seal                      |       |
| 14   | 1    | 382800143/0 | Front Frame               |       |
| 16   | 1    | 325110437/0 | Black Grass-Catcher Cover |       |
| 19   | 2    | 325785417/0 | Support                   |       |
| 20   | 1    | 325394538/0 | Handle                    |       |
| 25   | 1    | 182105942/0 | Grasscatcher              |       |
| 31   | 1    | 382180122/0 | Screw                     |       |



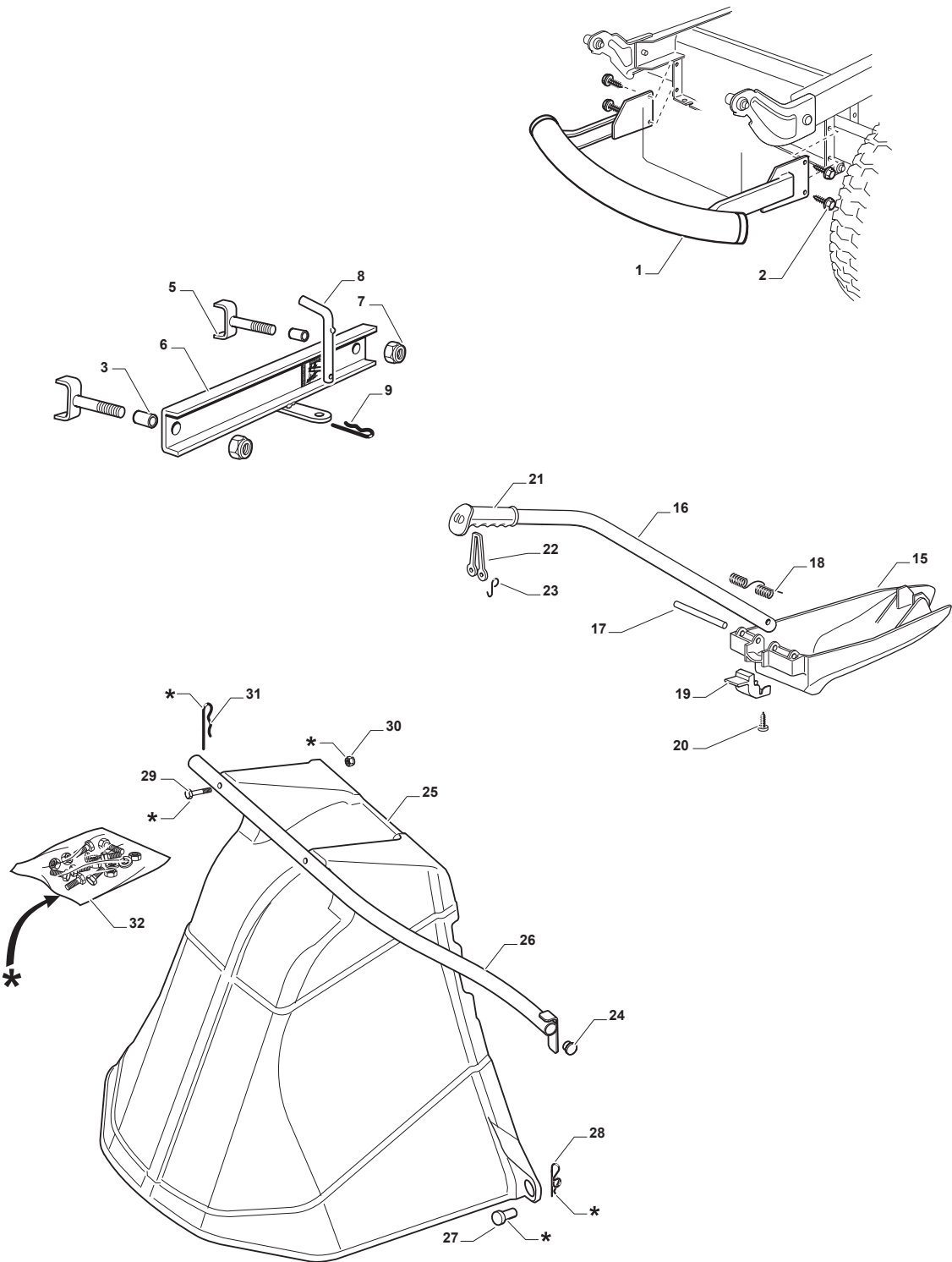
| Fig. | Q.ty | Part No      | Description             | Notes |
|------|------|--------------|-------------------------|-------|
| 1    | 1    | 125795001/1  | Cap                     |       |
| 2    | 4    | 125943006/0  | Screw                   |       |
| 3    | 1    | 325735126/0  | Fuel Tank               |       |
| 4    | 4    | 118375051/1  | Fair Led                |       |
| 5    | 1    | 325869057/0  | Connecting Tube         |       |
| 6    | 1    | 118562996/0  | Shut out valve          |       |
| 11   | 4    | 112735108/1  | Screw                   |       |
| 12   | 1    | 127598060/0  | Oil Discharge Extension |       |
| 13   | 1    | 118401001/1  | Oil Seal                |       |
| 14   | 1    | 118737849/0  | Plug                    |       |
| 15   | 1    | 325108044/1  | Conveyor                |       |
| 21   | 2    | 112792611/0  | Screw                   |       |
| 22   | 2    | 112540260/0  | Grower                  |       |
| 23   | 1    | 382598045/0  | Muffler Protection      |       |
| 24   | 1    | 182750010/0  | Muffler                 |       |
| 25   | 2    | 112360425/0  | Nut                     |       |
| 26   | 2    | 112792611/0  | Screw                   |       |
| 27   | 2    | 112540260/0  | Grower                  |       |
| 28   | 1    | 118738231/1  | Exhaust Tube            |       |
| 29   | 2    | 112737450/0  | Screw                   |       |
| 30   | 2    | 112540260/0  | Grower                  |       |
| 35   | 1    | 325394531/0  | Knob                    |       |
| 36   | 1    | 182000215/0  | Accelerator             |       |
| 37   | 1    | 112726389/0  | Screw                   |       |
| 38   | 1    | 112290800/0  | Nut                     |       |
| 39   | 2    | 112726389/0  | Screw                   |       |
| 40   | 2    | 112540020/0  | Washer                  |       |
| 41   | 2    | 112521310/0  | Washer                  |       |
| 42   | 1    | 114363697/0  | Label                   |       |
| 51   | 1    | 118736111/0  | Starter Relay           |       |
| 52   | 2    | 112360352/0  | Nut                     |       |
| 53   | 1    | 1134-3901-01 | Solenoid                |       |
| 54   | 1    | 118564864/1  | Protection              |       |
| 55   | 1    | 112790781/0  | Screw                   |       |
| 56   | 2    | 112154510/0  | Nut                     |       |



| Fig. | Q.ty | Part No     | Description                       | Notes                               |
|------|------|-------------|-----------------------------------|-------------------------------------|
| 1    | 1    | 182040198/1 | Cables Ass.Y                      | Mecch. Model with B&S or GGP Engine |
| 2    | 1    | 382722444/1 | Electronic Card                   |                                     |
| 3    | 3    | 112735101/0 | Screw                             |                                     |
| 4    | 1    | 118450075/1 | Starting Switch                   |                                     |
| 5    | 1    | 325600090/1 | Card Protection                   |                                     |
| 6    | 1    | 118210023/0 | Starting Key                      |                                     |
| 7    | 1    | 118120002/1 | Battery                           |                                     |
| 8    | 1    | 125430265/1 | Spring                            |                                     |
| 9    | 1    | 118400863/0 | Screwed Ring                      |                                     |
| 15   | 2    | 133215000/0 | Cover                             |                                     |
| 16   | 1    | 133340036/0 | Fuse 25 A                         |                                     |
| 16   | 1    | 133340040/0 | Fuse 10 A                         |                                     |
| 17   | 2    | 133500007/0 | Fuse Carrier                      |                                     |
| 18   | 1    | 118450074/0 | Clutch Switch                     |                                     |
| 19   | 3    | 119410613/0 | Microswitch                       |                                     |
| 20   | 1    | 182040186/0 | Cable                             |                                     |
| 21   | 2    | 118459100/0 | Lamp For Lights                   |                                     |
| 22   | 1    | 119410605/1 | Microswitch                       |                                     |
| 25   | 1    | 182180090/0 | Battery Charger 12V 1A - CE Plugg | CE Plugg                            |
| 26   | 1    | 325605003/0 | Button                            |                                     |
| 27   | 2    | 325256250/0 | Screwed Ring                      |                                     |
| 28   | 1    | 182040174/0 | Led Wiring Assy                   |                                     |

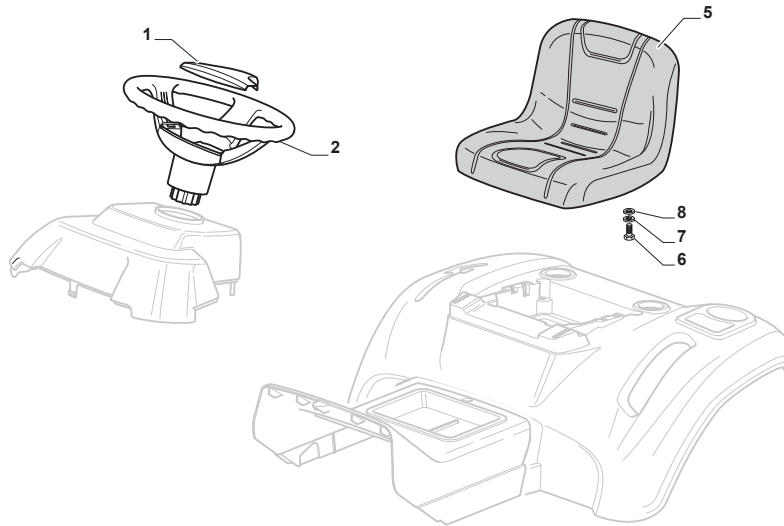


| Fig. | Q.ty | Part No     | Description | Notes |
|------|------|-------------|-------------|-------|
| 1    | 1    | 114361553/1 | Label       |       |
| 3    | 1    | 114363699/0 | Label       |       |
| 4    | 1    | 114361438/0 | Label       |       |
| 5    | 1    | 114366142/0 | Label       |       |
| 6    | 1    | 114363700/0 | Label       |       |
| 8    | 1    | 114356699/1 | Label       |       |

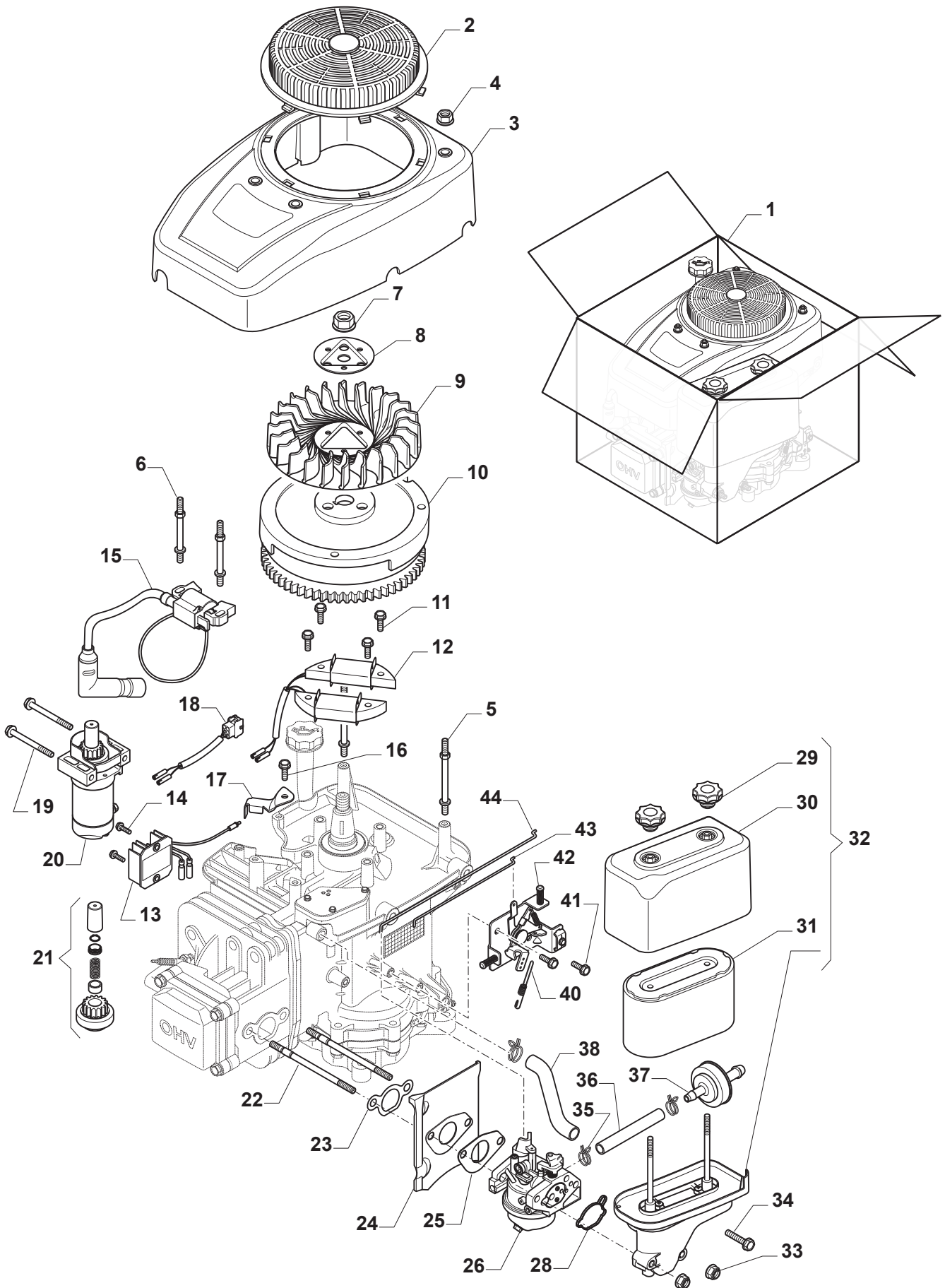




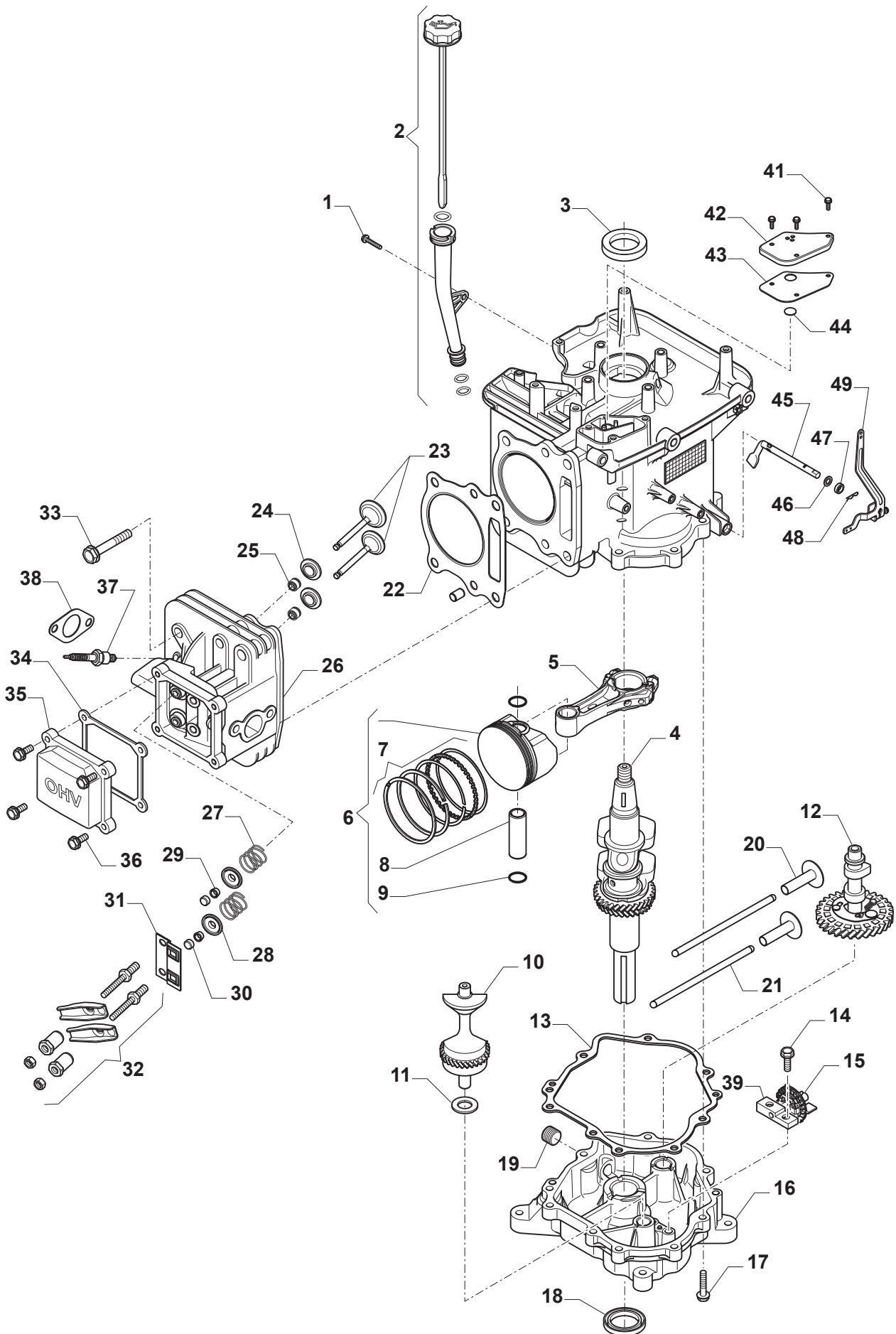
| Fig. | Q.ty | Part No     | Description            | Notes |
|------|------|-------------|------------------------|-------|
| 1    | 1    | 382869038/0 | Muffler Protection     |       |
| 2    | 4    | 125943008/0 | Screw                  |       |
| 3    | 2    | 125160074/0 | Spacer                 |       |
| 5    | 2    | 382650211/0 | Stiffening             |       |
| 6    | 1    | 382033119/0 | Tow Bar Assy           |       |
| 7    | 2    | 112155000/0 | Nut                    |       |
| 8    | 1    | 125510021/1 | Hitch Pin              |       |
| 9    | 1    | 124487999/0 | Spring Pin             |       |
| 10   | 1    | 122170600/0 | Spacer                 |       |
| 11   | 1    | 112792099/0 | Screw                  |       |
| 12   | 3    | 112292102/0 | Nut                    |       |
| 13   | 2    | 327546015/2 | Plate                  |       |
| 14   | 1    | 112791400/0 | Screw                  |       |
| 15   | 1    | 325140104/1 | Deflector              |       |
| 16   | 1    | 325394021/0 | Handle                 |       |
| 17   | 1    | 125510077/0 | Pin                    |       |
| 18   | 1    | 125430245/0 | Spring                 |       |
| 19   | 1    | 325547320/0 | Plate                  |       |
| 20   | 1    | 112735403/0 | Screw                  |       |
| 21   | 1    | 325280000/1 | Handgrip               |       |
| 22   | 1    | 125840011/1 | Tie Rod                |       |
| 23   | 2    | 125253004/0 | Mulch.Kit Fixing Hook  |       |
| 24   | 2    | 118566112/0 | Polyethylene Push Road |       |
| 25   | 1    | 325600093/0 | Ejection Guard         |       |
| 26   | 1    | 382869044/0 | Support                |       |
| 27   | 2    | 125510022/1 | Pin                    |       |
| 28   | 2    | 124487998/0 | Cotter Pin             |       |
| 29   | 2    | 112689515/0 | Screw                  |       |
| 30   | 2    | 112154510/0 | Nut                    |       |
| 31   | 1    | 124487999/0 | Spring Pin             |       |
| 32   | 1    | 382180028/0 | Outfit, Screws         |       |



| Fig. | Q.ty | Part No     | Description          | Notes |
|------|------|-------------|----------------------|-------|
| 1    | 1    | 325580503/0 | Steering Plate Cover |       |
| 2    | 1    | 325961219/0 | Steering Wheel       |       |
| 5    | 1    | 125722472/0 | Seat                 |       |
| 6    | 4    | 112792611/0 | Screw                |       |
| 7    | 4    | 112540260/0 | Grower               |       |
| 8    | 4    | 112523060/0 | Washer               |       |



| Fig. | Q.ty | Part No      | Description            | Notes |
|------|------|--------------|------------------------|-------|
| 1    | 1    | 118551424/0  | Engine Assembled       |       |
| 2    | 1    | 118551409/0  | Cover Assy             |       |
| 3    | 1    | 118551392/0  | Air Intake Grill       |       |
| 4    | 4    | 118550806/0  | Nut                    |       |
| 5    | 2    | 118551422/0  | Stud Bolt              |       |
| 6    | 2    | 118551421/0  | Stud Bolt              |       |
| 7    | 1    | 118551417/0  | Nut                    |       |
| 8    | 1    | 118551408/0  | Starter Cup            |       |
| 9    | 1    | 118550235/1  | Flywheel Fan           |       |
| 10   | 1    | 118551410/0  | Flywheel Ass.Y         |       |
| 11   | 4    | 112792099/0  | Screw                  |       |
| 12   | 1    | 118551411/0  | Coil Assy, Charge      |       |
| 13   | 1    | 118551413/0  | Rectfier               |       |
| 14   | 2    | 9959-0616-16 | Screw                  |       |
| 15   | 1    | 118551414/0  | Electronic Coil        |       |
| 16   | 1    | 9959-0616-16 | Screw                  |       |
| 17   | 1    | 118551374/0  | Plate                  |       |
| 18   | 1    | 118551415/0  | Output Wire, Rectifier |       |
| 19   | 2    | 112692050/0  | Screw                  |       |
| 20   | 1    | 118551412/0  | Start Motor Assy       |       |
| 21   | 1    | 118551426/0  | Kit Repair             |       |
| 22   | 2    | 118551416/0  | Stud Bolt              |       |
| 23   | 1    | 118551395/0  | Carburetor Gasket      |       |
| 24   | 1    | 118551397/0  | Guard                  |       |
| 25   | 2    | 118551394/0  | Carburetor Gasket      |       |
| 26   | 1    | 118551393/0  | Carburettor            |       |
| 28   | 1    | 118551396/0  | Carburetor Gasket      |       |
| 29   | 2    | 118551407/0  | Knob                   |       |
| 30   | 1    | 118551405/0  | Air Cleaner Cover      |       |
| 31   | 1    | 118551406/0  | Air Filter             |       |
| 32   | 1    | 118551404/0  | Air Cleaner Assy       |       |
| 33   | 2    | 118550806/0  | Nut                    |       |
| 34   | 1    | 112674701/0  | Screw                  |       |
| 36   | 2    | 118550918/0  | Pipe Clip              |       |
| 36   | 1    | 118551420/0  | Fuel Pipe              |       |
| 37   | 1    | 118550427/0  | Fuel Filter            |       |
| 38   | 1    | 118551419/0  | Breather Pipe          |       |
| 40   | 1    | 118551400/0  | Spring                 |       |
| 41   | 2    | 118550806/0  | Nut                    |       |
| 42   | 1    | 118551402/0  | Remote Control Assy    |       |
| 43   | 1    | 118551398/0  | Choke Control Rod      |       |
| 44   | 1    | 118551399/0  | Governor Link          |       |



| Fig. | Q.ty | Part No      | Description                  | Notes |
|------|------|--------------|------------------------------|-------|
| 1    | 1    | 9959-0620-16 | Screw                        |       |
| 2    | 1    | 118551375/0  | Oil Filler Assy              |       |
| 3    | 1    | 118551418/0  | Oil Seal                     |       |
| 4    | 1    | 118551387/0  | Crankshaft                   |       |
| 5    | 1    | 118551386/0  | Connecting Rod Assy          |       |
| 6    |      | 118551423/0  | Piston Assy                  |       |
| 7    | 1    | 118551385/0  | Piston, Ring Set             |       |
| 8    | 1    | 118551384/0  | Piston Pin                   |       |
| 9    | 2    | 118551283/0  | Washer, Piston Pin           |       |
| 10   | 1    | 118551388/0  | Counterweight                |       |
| 11   | 1    | 118551282/0  | Washer                       |       |
| 12   | 1    | 118551389/0  | Camshaft Assy                |       |
| 13   | 1    | 118551376/0  | Crankcase Gasket             |       |
| 14   | 1    | 112791500/0  | Screw                        |       |
| 15   | 1    | 118551403/0  | Speed Governor Assy          |       |
| 16   | 1    | 118551425/0  | Crankcase Cover              |       |
| 17   | 9    | 9959-0840-16 | Screw                        |       |
| 18   | 1    | 118551418/0  | Oil Seal                     |       |
| 19   | 1    | 118551373/0  | Oil Drain Plug               |       |
| 20   | 2    | 118551252/0  | Valve Lifter                 |       |
| 21   | 2    | 118551390/0  | Push Rod                     |       |
| 22   | 1    | 118551381/0  | Gasket                       |       |
| 23   | 1    | 118551289/0  | Valve Assy, Intake + Exhaust |       |
| 24   | 2    | 118551245/0  | Plate                        |       |
| 25   | 2    | 118551248/0  | Gasket                       |       |
| 26   | 1    | 118551380/0  | Cylinder Head                |       |
| 27   | 2    | 118550529/0  | Spring Valve                 |       |
| 28   | 2    | 118551246/0  | Retainer                     |       |
| 29   | 4    | 118551247/0  | Valve keeper                 |       |
| 30   | 2    | 118551244/0  | Valve cap                    |       |
| 31   | 1    | 118551391/0  | Plate                        |       |
| 32   | 2    | 118551250/0  | Valve Arm Set                |       |
| 33   | 6    | 118551427/0  | Screw                        |       |
| 34   | 1    | 118551383/0  | Seal                         |       |
| 35   | 1    | 118551382/0  | Cover Comp., Head            |       |
| 36   | 4    | 112791500/0  | Screw                        |       |
| 37   | 1    | 9400-0244-00 | Spark Plug                   |       |
| 38   | 1    | 118551272/0  | Muffler Gasket               |       |
| 39   | 1    | 118551269/0  | Plate, Governor Holder       |       |
| 41   | 3    | 9959-0616-16 | Screw                        |       |
| 42   | 1    | 118551377/0  | Cover                        |       |
| 43   | 1    | 118551378/0  | Gasket, Breath Groove        |       |
| 44   | 1    | 118551379/0  | Valve                        |       |
| 45   | 1    | 118550936/0  | Shaft, Governor Arm          |       |
| 46   | 1    | 118550666/0  | Washer                       |       |
| 47   | 1    | 118550935/0  | Oil Seal                     |       |
| 48   | 1    | 118550934/0  | Spring Pin                   |       |
| 49   | 1    | 118551401/0  | Staffa                       |       |

| code         | pos. | q.ty | page  |             |    |   |       |             |    |   |       |  |  |
|--------------|------|------|-------|-------------|----|---|-------|-------------|----|---|-------|--|--|
| 1134-3901-01 | 53   | 1    | p. 27 | 112436030/0 | 15 | 1 | p. 9  | 112726389/0 | 37 | 1 | p. 27 |  |  |
| 9400-0244-00 | 37   | 1    | p. 39 | 112436050/0 | 7  | 1 | p. 13 | 112726389/0 | 39 | 2 | p. 27 |  |  |
| 9959-0616-16 | 14   | 2    | p. 37 | 112437503/0 | 13 | 6 | p. 5  | 112728686/0 | 15 | 2 | p. 5  |  |  |
| 9959-0616-16 | 16   | 1    | p. 37 | 112437503/0 | 17 | 2 | p. 23 | 112728686/0 | 46 | 2 | p. 3  |  |  |
| 9959-0616-16 | 41   | 3    | p. 39 | 112437506/0 | 35 | 1 | p. 7  | 112728692/0 | 7  | 4 | p. 7  |  |  |
| 9959-0620-16 | 1    | 1    | p. 39 | 112521310/0 | 41 | 2 | p. 27 | 112735101/0 | 3  | 3 | p. 29 |  |  |
| 9959-0840-16 | 17   | 9    | p. 39 | 112521320/0 | 12 | 6 | p. 5  | 112735108/1 | 11 | 4 | p. 27 |  |  |
| 112001010/0  | 44   | 2    | p. 15 | 112521330/0 | 5  | 2 | p. 23 | 112735403/0 | 5  | 4 | p. 7  |  |  |
| 112001010/0  | 48   | 1    | p. 9  | 112521340/0 | 14 | 1 | p. 15 | 112735403/0 | 20 | 1 | p. 33 |  |  |
| 112001010/0  | 67   | 2    | p. 11 | 112521350/0 | 6  | 1 | p. 13 | 112735403/0 | 62 | 4 | p. 7  |  |  |
| 112139100/0  | 66   | 2    | p. 21 | 112521350/0 | 22 | 4 | p. 15 | 112735406/0 | 15 | 3 | p. 7  |  |  |
| 112139430/0  | 26   | 1    | p. 15 | 112521350/0 | 32 | 2 | p. 3  | 112735406/0 | 33 | 4 | p. 7  |  |  |
| 112139480/0  | 16   | 2    | p. 19 | 112521360/0 | 36 | 2 | p. 9  | 112735520/0 | 17 | 1 | p. 15 |  |  |
| 112141418/0  | 16   | 1    | p. 15 | 112521360/0 | 44 | 6 | p. 17 | 112735599/0 | 3  | 4 | p. 13 |  |  |
| 112154210/0  | 13   | 1    | p. 15 | 112521370/0 | 14 | 1 | p. 9  | 112735599/0 | 4  | 2 | p. 3  |  |  |
| 112154210/0  | 18   | 6    | p. 19 | 112521390/0 | 25 | 2 | p. 17 | 112735599/0 | 14 | 6 | p. 7  |  |  |
| 112154210/0  | 29   | 2    | p. 9  | 112523020/0 | 18 | 2 | p. 23 | 112735599/0 | 22 | 2 | p. 3  |  |  |
| 112154330/0  | 9    | 1    | p. 5  | 112523040/0 | 16 | 3 | p. 7  | 112735599/0 | 22 | 4 | p. 17 |  |  |
| 112154330/0  | 32   | 1    | p. 5  | 112523040/0 | 79 | 4 | p. 21 | 112735599/0 | 29 | 2 | p. 15 |  |  |
| 112154510/0  | 6    | 1    | p. 17 | 112523060/0 | 8  | 4 | p. 35 | 112735599/0 | 32 | 2 | p. 17 |  |  |
| 112154510/0  | 7    | 2    | p. 23 | 112523060/0 | 10 | 1 | p. 15 | 112735694/0 | 61 | 1 | p. 19 |  |  |
| 112154510/0  | 30   | 2    | p. 33 | 112523060/0 | 16 | 1 | p. 17 | 112735695/1 | 61 | 1 | p. 21 |  |  |
| 112154510/0  | 35   | 1    | p. 5  | 112523060/0 | 24 | 3 | p. 13 | 112737320/0 | 38 | 1 | p. 19 |  |  |
| 112154510/0  | 37   | 2    | p. 15 | 112523060/0 | 27 | 1 | p. 13 | 112737450/0 | 29 | 2 | p. 27 |  |  |
| 112154510/0  | 56   | 2    | p. 27 | 112523060/0 | 42 | 2 | p. 19 | 112789008/0 | 7  | 1 | p. 5  |  |  |
| 112154510/0  | 77   | 4    | p. 21 | 112523060/0 | 47 | 1 | p. 13 | 112789008/0 | 11 | 6 | p. 5  |  |  |
| 112155000/0  | 3    | 6    | p. 3  | 112523060/0 | 47 | 2 | p. 19 | 112789008/0 | 16 | 2 | p. 23 |  |  |
| 112155000/0  | 6    | 1    | p. 15 | 112523070/0 | 3  | 1 | p. 9  | 112789008/0 | 30 | 1 | p. 5  |  |  |
| 112155000/0  | 7    | 2    | p. 33 | 112523080/0 | 34 | 1 | p. 19 | 112790781/0 | 55 | 1 | p. 27 |  |  |
| 112155000/0  | 9    | 1    | p. 13 | 112523080/0 | 62 | 2 | p. 21 | 112790781/0 | 80 | 1 | p. 21 |  |  |
| 112155000/0  | 19   | 10   | p. 3  | 112523100/0 | 52 | 2 | p. 9  | 112791213/1 | 75 | 3 | p. 21 |  |  |
| 112155000/0  | 24   | 4    | p. 15 | 112524010/0 | 13 | 2 | p. 13 | 112791400/0 | 14 | 1 | p. 33 |  |  |
| 112155000/0  | 25   | 3    | p. 13 | 112524010/0 | 22 | 1 | p. 19 | 112791500/0 | 14 | 1 | p. 39 |  |  |
| 112155000/0  | 26   | 1    | p. 13 | 112540020/0 | 40 | 2 | p. 27 | 112791500/0 | 36 | 4 | p. 39 |  |  |
| 112155000/0  | 33   | 1    | p. 13 | 112540040/0 | 18 | 1 | p. 15 | 112792099/0 | 11 | 1 | p. 33 |  |  |
| 112155000/0  | 40   | 2    | p. 15 | 112540221/0 | 49 | 2 | p. 15 | 112792099/0 | 11 | 4 | p. 37 |  |  |
| 112155000/0  | 43   | 2    | p. 9  | 112540260/0 | 2  | 1 | p. 9  | 112792425/0 | 4  | 2 | p. 23 |  |  |
| 112155000/0  | 45   | 1    | p. 13 | 112540260/0 | 7  | 4 | p. 35 | 112792611/0 | 6  | 4 | p. 35 |  |  |
| 112155000/0  | 45   | 2    | p. 19 | 112540260/0 | 14 | 2 | p. 19 | 112792611/0 | 21 | 2 | p. 27 |  |  |
| 112155010/0  | 9    | 1    | p. 15 | 112540260/0 | 22 | 2 | p. 27 | 112792611/0 | 26 | 2 | p. 27 |  |  |
| 112155010/0  | 11   | 1    | p. 15 | 112540260/0 | 27 | 2 | p. 27 | 112792611/0 | 39 | 2 | p. 15 |  |  |
| 112155010/0  | 28   | 2    | p. 9  | 112540260/0 | 30 | 2 | p. 27 | 112793102/0 | 13 | 2 | p. 19 |  |  |
| 112155010/0  | 38   | 2    | p. 3  | 112543000/0 | 37 | 1 | p. 19 | 112793701/0 | 12 | 1 | p. 17 |  |  |
| 112155020/0  | 29   | 1    | p. 19 | 112587100/0 | 54 | 1 | p. 9  | 112815200/0 | 36 | 2 | p. 15 |  |  |
| 112156602/0  | 32   | 2    | p. 9  | 112604899/0 | 20 | 4 | p. 23 | 112818690/0 | 17 | 6 | p. 19 |  |  |
| 112156602/0  | 35   | 1    | p. 19 | 112604899/0 | 38 | 1 | p. 13 | 114356699/1 | 8  | 1 | p. 31 |  |  |
| 112156602/0  | 36   | 3    | p. 17 | 112608950/0 | 27 | 1 | p. 15 | 114361438/0 | 4  | 1 | p. 31 |  |  |
| 112156602/0  | 37   | 1    | p. 9  | 112609260/0 | 8  | 2 | p. 19 | 114361553/1 | 1  | 1 | p. 31 |  |  |
| 112156602/0  | 43   | 3    | p. 17 | 112610800/0 | 23 | 1 | p. 19 | 114363452/0 | 9  | 1 | p. 7  |  |  |
| 112156602/0  | 53   | 4    | p. 19 | 112620300/0 | 8  | 1 | p. 9  | 114363697/0 | 42 | 1 | p. 27 |  |  |
| 112290800/0  | 38   | 1    | p. 27 | 112622650/0 | 9  | 1 | p. 9  | 114363699/0 | 3  | 1 | p. 31 |  |  |
| 112292102/0  | 12   | 3    | p. 33 | 112674700/0 | 4  | 1 | p. 17 | 114363700/0 | 6  | 1 | p. 31 |  |  |
| 112293201/0  | 17   | 1    | p. 17 | 112674701/0 | 34 | 1 | p. 37 | 114366141/0 | 33 | 1 | p. 15 |  |  |
| 112293201/0  | 25   | 2    | p. 3  | 112689515/0 | 29 | 2 | p. 33 | 114366142/0 | 5  | 1 | p. 31 |  |  |
| 112293201/0  | 28   | 1    | p. 19 | 112691400/0 | 21 | 1 | p. 19 | 11812002/1  | 7  | 1 | p. 29 |  |  |
| 112293201/0  | 36   | 1    | p. 13 | 112691400/0 | 22 | 3 | p. 13 | 118203854/0 | 39 | 2 | p. 3  |  |  |
| 112293201/0  | 50   | 2    | p. 19 | 112691400/0 | 33 | 2 | p. 3  | 118210023/0 | 6  | 1 | p. 29 |  |  |
| 112295200/0  | 37   | 3    | p. 17 | 112691400/0 | 41 | 2 | p. 19 | 118375051/1 | 4  | 4 | p. 27 |  |  |
| 112295300/0  | 55   | 1    | p. 9  | 112691600/0 | 21 | 4 | p. 15 | 118399069/0 | 36 | 1 | p. 19 |  |  |
| 112360352/0  | 52   | 2    | p. 27 | 112691600/0 | 30 | 1 | p. 13 | 118400863/0 | 9  | 1 | p. 29 |  |  |
| 112360425/0  | 15   | 2    | p. 13 | 112692050/0 | 1  | 1 | p. 9  | 118400910/3 | 23 | 1 | p. 15 |  |  |
| 112360425/0  | 25   | 2    | p. 27 | 112692050/0 | 4  | 1 | p. 15 | 118401001/1 | 13 | 1 | p. 27 |  |  |
| 112369500/0  | 26   | 1    | p. 9  | 112692050/0 | 19 | 2 | p. 37 | 118450074/0 | 18 | 1 | p. 29 |  |  |
| 112379511/0  | 46   | 2    | p. 9  | 112692050/0 | 46 | 2 | p. 19 | 118450075/1 | 4  | 1 | p. 29 |  |  |
|              |      |      |       | 112692390/0 | 35 | 1 | p. 9  | 118459100/0 | 21 | 2 | p. 29 |  |  |
|              |      |      |       | 112692695/0 | 51 | 1 | p. 9  | 118550235/1 | 9  | 1 | p. 37 |  |  |





| code        | pos. | q.ty | page  |             |    |   |       |             |    |   |       |  |  |
|-------------|------|------|-------|-------------|----|---|-------|-------------|----|---|-------|--|--|
| 125950000/0 | 63   | 2    | p. 9  | 325280000/1 | 21 | 1 | p. 33 | 325785428/0 | 18 | 1 | p. 5  |  |  |
| 127430600/0 | 8    | 1    | p. 5  | 325318235/0 | 15 | 1 | p. 15 | 325785483/0 | 35 | 1 | p. 15 |  |  |
| 127598060/0 | 12   | 1    | p. 27 | 325318243/0 | 34 | 1 | p. 9  | 325820109/1 | 26 | 1 | p. 3  |  |  |
| 127943051/0 | 11   | 2    | p. 9  | 325318276/0 | 17 | 1 | p. 5  | 325820111/0 | 30 | 1 | p. 3  |  |  |
| 133215000/0 | 15   | 2    | p. 29 | 325318277/0 | 20 | 1 | p. 5  | 325840029/0 | 39 | 1 | p. 9  |  |  |
| 133340036/0 | 16   | 1    | p. 29 | 325318289/0 | 27 | 1 | p. 19 | 325869057/0 | 5  | 1 | p. 27 |  |  |
| 133340040/0 | 16   | 1    | p. 29 | 325394021/0 | 16 | 1 | p. 33 | 325961219/0 | 2  | 1 | p. 35 |  |  |
| 133500007/0 | 17   | 2    | p. 29 | 325394531/0 | 35 | 1 | p. 27 | 327546015/2 | 13 | 2 | p. 33 |  |  |
| 133800001/0 | 50   | 2    | p. 15 | 325394532/0 | 1  | 1 | p. 15 | 382000565/0 | 51 | 2 | p. 19 |  |  |
| 135061508/0 | 11   | 1    | p. 19 | 325394533/0 | 1  | 1 | p. 17 | 382000566/1 | 31 | 1 | p. 9  |  |  |
| 135062018/0 | 20   | 1    | p. 13 | 325394538/0 | 20 | 1 | p. 25 | 382000567/0 | 12 | 1 | p. 15 |  |  |
| 182000215/0 | 36   | 1    | p. 27 | 325410887/0 | 2  | 1 | p. 7  | 382000568/0 | 5  | 1 | p. 13 |  |  |
| 182000598/0 | 62   | 2    | p. 9  | 325410888/0 | 3  | 1 | p. 7  | 382000597/0 | 46 | 2 | p. 15 |  |  |
| 182004358/0 | 64   | 1    | p. 21 | 325500041/1 | 20 | 1 | p. 3  | 382004618/0 | 32 | 1 | p. 19 |  |  |
| 182004359/0 | 64   | 1    | p. 21 | 325500043/1 | 21 | 1 | p. 3  | 382004620/0 | 15 | 1 | p. 17 |  |  |
| 182004360/0 | 71   | 1    | p. 21 | 325547225/0 | 5  | 1 | p. 3  | 382033119/0 | 6  | 1 | p. 33 |  |  |
| 182004361/0 | 71   | 1    | p. 21 | 325547227/0 | 6  | 1 | p. 3  | 382034030/0 | 45 | 1 | p. 9  |  |  |
| 182040174/0 | 28   | 1    | p. 29 | 325547231/0 | 4  | 2 | p. 13 | 382180028/0 | 32 | 1 | p. 33 |  |  |
| 182040186/0 | 20   | 1    | p. 29 | 325547231/0 | 23 | 2 | p. 17 | 382180121/0 | 40 | 1 | p. 5  |  |  |
| 182040198/1 | 1    | 1    | p. 29 | 325547231/0 | 31 | 1 | p. 17 | 382180122/0 | 31 | 1 | p. 25 |  |  |
| 182105942/0 | 25   | 1    | p. 25 | 325547233/0 | 25 | 1 | p. 9  | 382180124/0 | 70 | 1 | p. 11 |  |  |
| 182180090/0 | 25   | 1    | p. 29 | 325547299/0 | 6  | 1 | p. 5  | 382207204/1 | 4  | 1 | p. 19 |  |  |
| 182601509/0 | 25   | 1    | p. 15 | 325547320/0 | 19 | 1 | p. 33 | 382207205/1 | 4  | 1 | p. 19 |  |  |
| 182700005/0 | 49   | 2    | p. 19 | 325580503/0 | 1  | 1 | p. 35 | 382230369/0 | 41 | 1 | p. 9  |  |  |
| 182750010/0 | 24   | 1    | p. 27 | 325600090/1 | 5  | 1 | p. 29 | 382230371/0 | 42 | 1 | p. 9  |  |  |
| 322110233/0 | 45   | 2    | p. 15 | 325600093/0 | 25 | 1 | p. 33 | 382318231/0 | 3  | 1 | p. 17 |  |  |
| 322110233/0 | 68   | 2    | p. 11 | 325600107/0 | 41 | 1 | p. 5  | 382318255/0 | 2  | 1 | p. 17 |  |  |
| 322672151/0 | 8    | 1    | p. 15 | 325601599/0 | 21 | 1 | p. 13 | 382318257/0 | 2  | 1 | p. 15 |  |  |
| 322672151/0 | 20   | 1    | p. 9  | 325601599/0 | 43 | 1 | p. 19 | 382318283/0 | 29 | 1 | p. 13 |  |  |
| 322680009/0 | 19   | 1    | p. 15 | 325605003/0 | 26 | 1 | p. 29 | 382318293/0 | 29 | 1 | p. 17 |  |  |
| 325033086/0 | 2    | 2    | p. 19 | 325650151/0 | 28 | 1 | p. 5  | 382318297/0 | 21 | 1 | p. 17 |  |  |
| 325038006/0 | 7    | 2    | p. 17 | 325650153/0 | 29 | 1 | p. 5  | 382500047/1 | 2  | 1 | p. 13 |  |  |
| 325038007/0 | 40   | 2    | p. 9  | 325650155/0 | 41 | 1 | p. 3  | 382547061/0 | 35 | 1 | p. 3  |  |  |
| 325038008/0 | 6    | 1    | p. 9  | 325650157/0 | 42 | 1 | p. 3  | 382547071/0 | 37 | 1 | p. 5  |  |  |
| 325060168/0 | 12   | 1    | p. 23 | 325650163/0 | 3  | 2 | p. 5  | 382564113/0 | 1  | 1 | p. 19 |  |  |
| 325060169/0 | 14   | 1    | p. 23 | 325670008/1 | 34 | 3 | p. 17 | 382598045/0 | 23 | 1 | p. 27 |  |  |
| 325076899/1 | 1    | 1    | p. 7  | 325670008/1 | 39 | 3 | p. 17 | 382650211/0 | 5  | 2 | p. 33 |  |  |
| 325108044/1 | 15   | 1    | p. 27 | 325670008/1 | 52 | 8 | p. 19 | 382722444/1 | 2  | 1 | p. 29 |  |  |
| 325108056/0 | 2    | 1    | p. 23 | 325670010/0 | 26 | 2 | p. 17 | 382774259/1 | 3  | 1 | p. 15 |  |  |
| 325108057/0 | 3    | 1    | p. 23 | 325670010/0 | 28 | 1 | p. 17 | 382785169/1 | 11 | 1 | p. 3  |  |  |
| 325108064/0 | 8    | 1    | p. 23 | 325670011/0 | 8  | 1 | p. 13 | 382785221/0 | 23 | 1 | p. 3  |  |  |
| 325108065/0 | 9    | 1    | p. 23 | 325735126/0 | 3  | 1 | p. 27 | 382785223/0 | 24 | 1 | p. 3  |  |  |
| 325109522/0 | 16   | 1    | p. 5  | 325735515/0 | 10 | 1 | p. 17 | 382800143/0 | 14 | 1 | p. 25 |  |  |
| 325110384/0 | 42   | 1    | p. 7  | 325735519/0 | 24 | 1 | p. 9  | 382800147/0 | 11 | 1 | p. 25 |  |  |
| 325110385/0 | 43   | 1    | p. 7  | 325743000/0 | 13 | 1 | p. 9  | 382820016/1 | 35 | 1 | p. 13 |  |  |
| 325110391/0 | 1    | 1    | p. 13 | 325755061/0 | 31 | 1 | p. 5  | 382820151/0 | 37 | 1 | p. 3  |  |  |
| 325110397/1 | 25   | 1    | p. 7  | 325774499/0 | 1  | 2 | p. 23 | 382869038/0 | 1  | 1 | p. 33 |  |  |
| 325110437/0 | 16   | 1    | p. 25 | 325774501/0 | 1  | 1 | p. 5  | 382869044/0 | 26 | 1 | p. 33 |  |  |
| 325120203/0 | 21   | 1    | p. 7  | 325774507/0 | 2  | 1 | p. 5  |             |    |   |       |  |  |
| 325120259/1 | 17   | 1    | p. 7  | 325774521/0 | 26 | 2 | p. 5  |             |    |   |       |  |  |
| 325122002/0 | 34   | 2    | p. 3  | 325774527/0 | 11 | 1 | p. 23 |             |    |   |       |  |  |
| 325140104/1 | 15   | 1    | p. 33 | 325774529/0 | 13 | 1 | p. 23 |             |    |   |       |  |  |
| 325140108/0 | 76   | 1    | p. 21 | 325774533/0 | 33 | 1 | p. 5  |             |    |   |       |  |  |
| 325160501/0 | 7    | 2    | p. 19 | 325785213/1 | 12 | 1 | p. 9  |             |    |   |       |  |  |
| 325207191/0 | 55   | 1    | p. 7  | 325785297/0 | 8  | 1 | p. 17 |             |    |   |       |  |  |
| 325207196/0 | 63   | 1    | p. 7  | 325785298/0 | 11 | 1 | p. 7  |             |    |   |       |  |  |
| 325207197/0 | 64   | 1    | p. 7  | 325785298/0 | 11 | 1 | p. 7  |             |    |   |       |  |  |
| 325207198/0 | 60   | 1    | p. 7  | 325785315/0 | 32 | 2 | p. 15 |             |    |   |       |  |  |
| 325207199/0 | 61   | 1    | p. 7  | 325785317/0 | 4  | 1 | p. 7  |             |    |   |       |  |  |
| 325253011/1 | 43   | 1    | p. 13 | 325785318/0 | 5  | 1 | p. 9  |             |    |   |       |  |  |
| 325256250/0 | 27   | 2    | p. 29 | 325785331/1 | 13 | 1 | p. 3  |             |    |   |       |  |  |
| 325260003/0 | 19   | 2    | p. 7  | 325785333/1 | 14 | 1 | p. 3  |             |    |   |       |  |  |
| 325263302/1 | 6    | 1    | p. 7  | 325785377/0 | 1  | 1 | p. 25 |             |    |   |       |  |  |
| 325270325/0 | 13   | 2    | p. 7  | 325785377/0 | 1  | 1 | p. 25 |             |    |   |       |  |  |
|             |      |      |       | 325785379/0 | 45 | 1 | p. 3  |             |    |   |       |  |  |
|             |      |      |       | 325785379/0 | 45 | 1 | p. 3  |             |    |   |       |  |  |
|             |      |      |       | 325785383/0 | 4  | 1 | p. 25 |             |    |   |       |  |  |
|             |      |      |       | 325785417/0 | 19 | 2 | p. 25 |             |    |   |       |  |  |
|             |      |      |       | 325785418/0 | 78 | 1 | p. 21 |             |    |   |       |  |  |