

# ILLUSTRATED PARTS BREAKDOWN

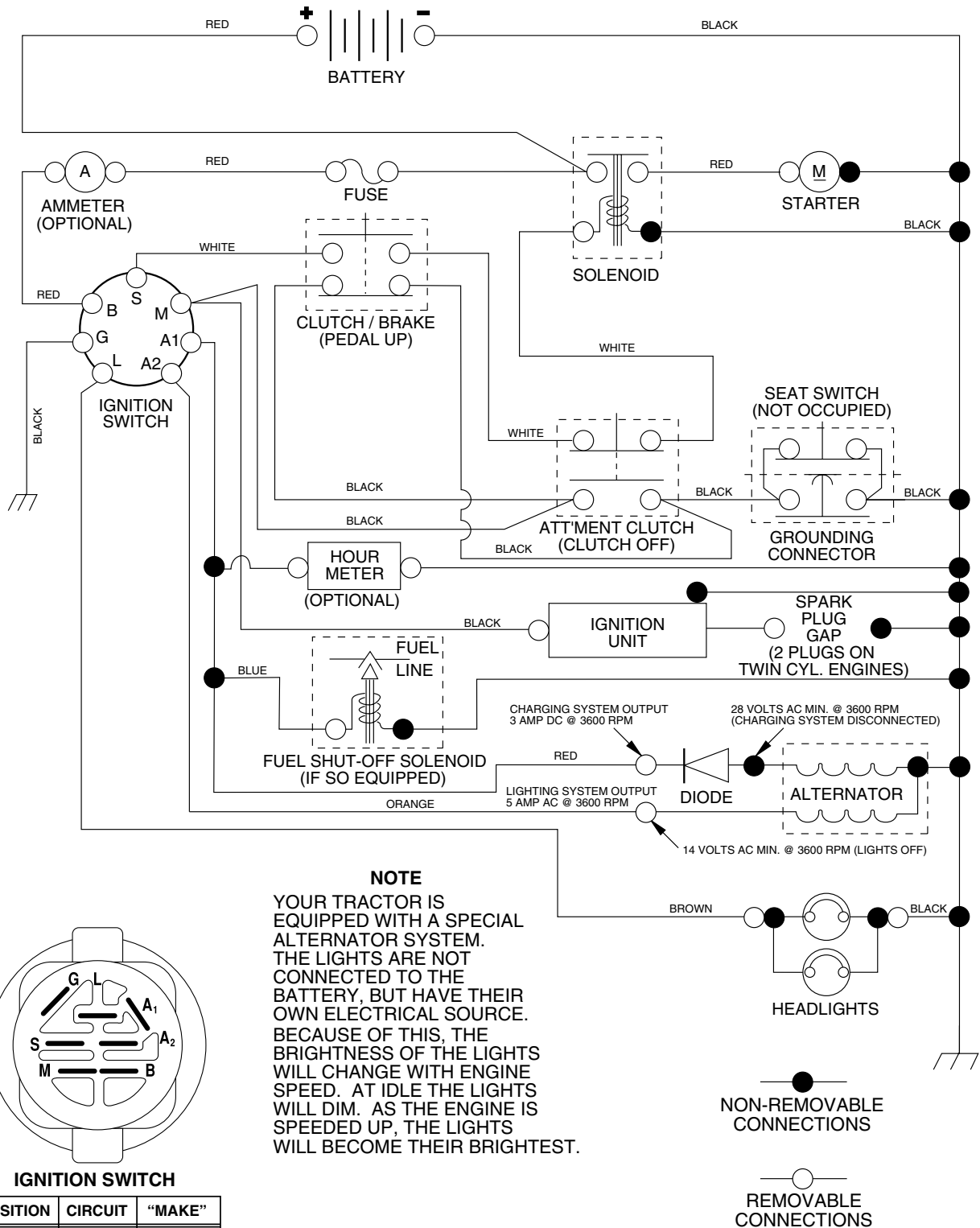
**BERNARD**

**13.5 HP LAWN TRACTOR**

**MODEL NO. BL12536SBJ (BL12536SBJA)**

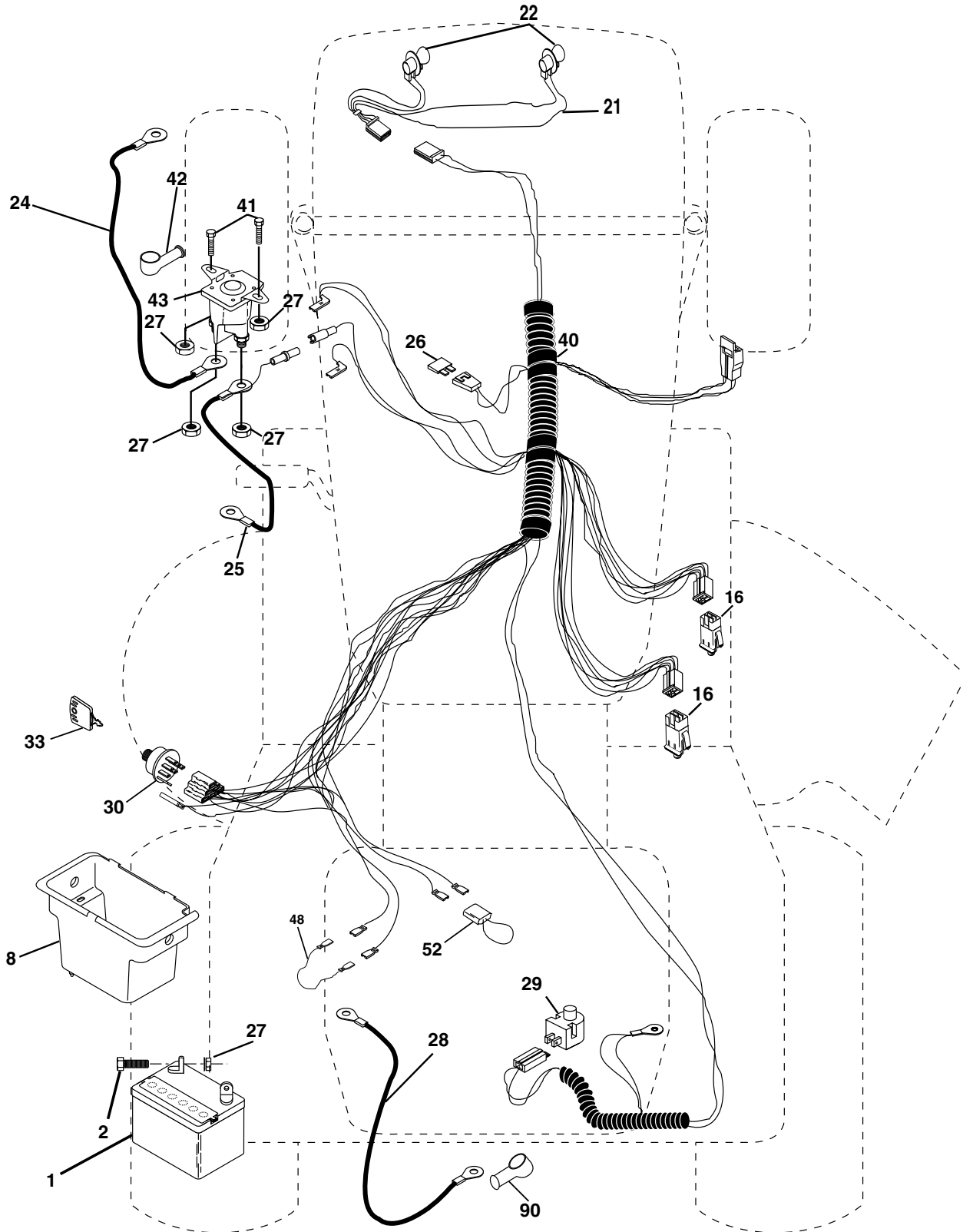
**964 77 13-00**

# TRACTOR - MODEL NO. BL12536SBJ (BL12536SBJA), PRODUCT NO. 964 77 13-00 SCHEMATIC



# REPAIR PARTS

TRACTOR - MODEL NO. BL12536SBJ (BL12536SBJA), PRODUCT NO. 964 77 13-00  
ELECTRICAL



# REPAIR PARTS

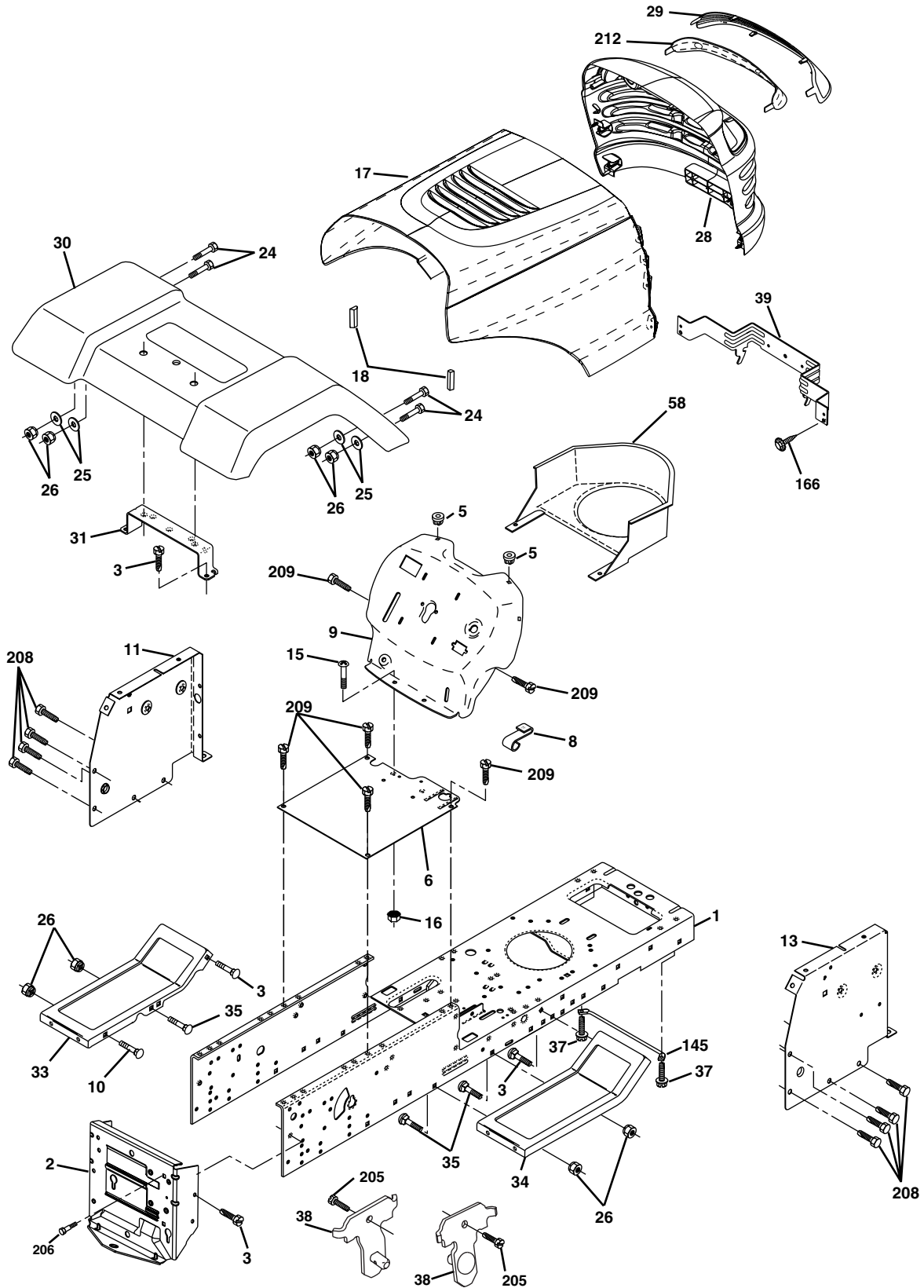
TRACTOR - MODEL NO. BL12536SBJ (BL12536SBJA), PRODUCT NO. 964 77 13-00  
ELECTRICAL

KEY NO.	PART NO.	DESCRIPTION
1	532 16 34-65	Battery 12 Volt 25 AMP
2	874 76 04-12	Bolt Hex Hd 1/4-20unc X 3/4
8	532 17 66-89	Box Battery
16	532 17 61-38	Switch Interlock Push-In
21	532 17 56-88	Harness Asm Light W/4152j
22	532 00 41-52	Bulb Light #1156
24	532 12 47-80	Cable Battery 6 Ga 11" red
25	532 14 61-47	Cable Battery 6 Ga 44" red w/16 wire
26	532 17 51-58	Fuse 20 AMP
27	873 51 04-00	Nut Keps Hex 1/4-20 Unc
28	532 12 47-73	Cable Ground 6 Ga 12" black
29	532 12 13-05	Switch Plunger Nc Gray
30	532 17 55-66	Switch Ign
33	532 14 04-01	Key Ign Molded Generic
40	532 17 97-20	Harness Ign.
41	871 11 04-08	Bolt Blk Fin Hex 1/4 - 20 x 1/2
42	532 13 15-63	Cover Terminal Red
43	532 17 88-61	Solenoid
48	532 14 08-44	Adapter Ammeter Rectangular
52	532 14 19-40	Protection Wire Loop
90	532 18 04-49	Cover Terminal Battery

**NOTE:** All component dimensions given in U.S. inches.  
1 inch = 25.4 mm.

# REPAIR PARTS

TRACTOR - MODEL NO. BL12536SBJ (BL12536SBJA), PRODUCT NO. 964 77 13-00  
CHASSIS AND ENCLOSURES



# REPAIR PARTS

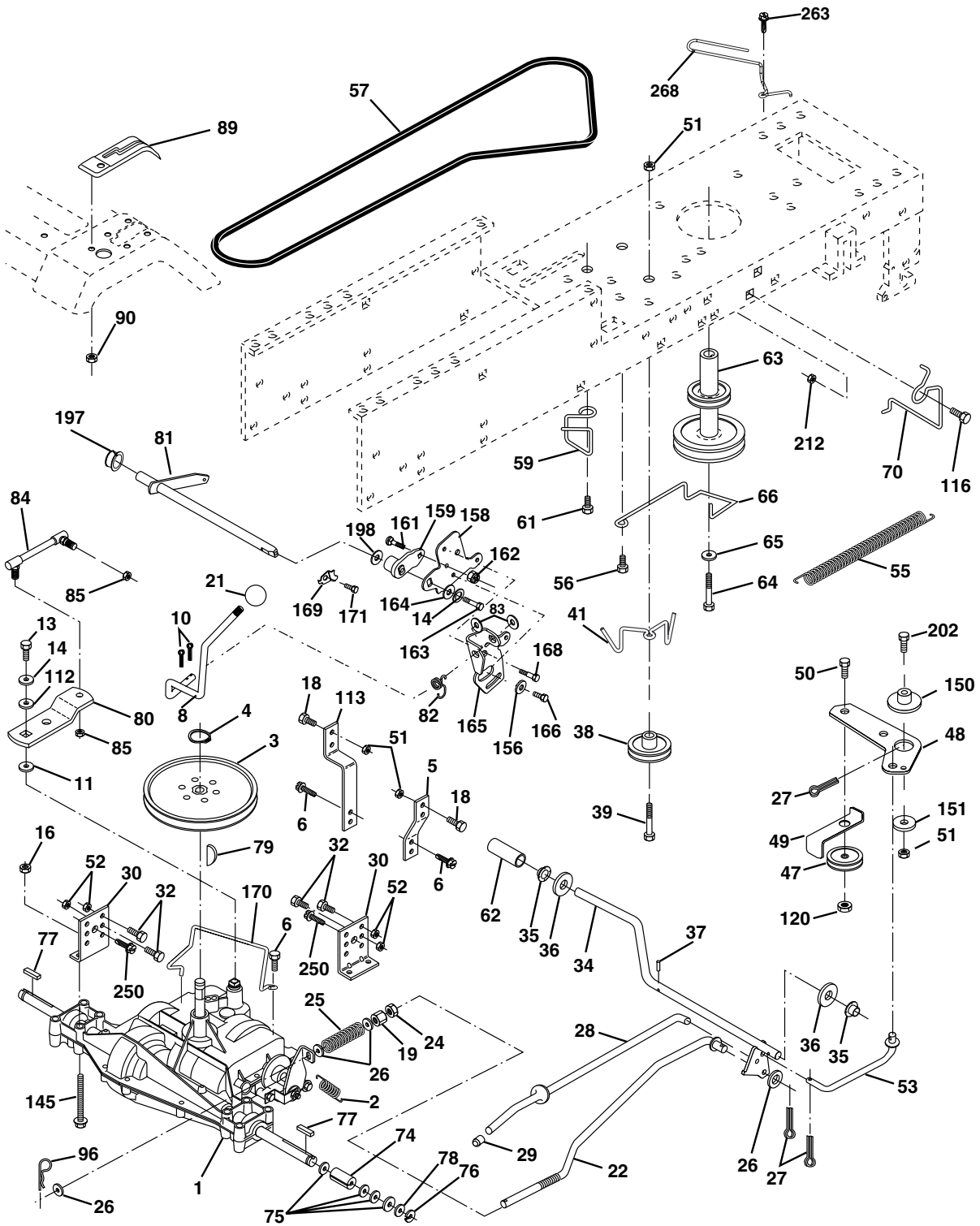
## TRACTOR - MODEL NO. BL12536SBJ (BL12536SBJA), PRODUCT NO. 964 77 13-00 CHASSIS AND ENCLOSURES

KEY NO.	PART NO.	DESCRIPTION
1	532 17 46-20	Chassis Stamping
2	532 17 65-54	Drawbar
3	817 06 06-12	Screw 3/8-16x3/4
5	532 15 52-72	BumperHood/Dash
6	532 15 59-23	Saddle
8	532 15 51-38	Clip Retainer
9	532 17 22-43	Dash P/L
10	872 14 06-08	Bolt Carriage 3/8-16 x 1
11	532 17 49-96	Panel Dash Lh
13	532 18 17-19	Panel Dash Rh
15	874 18 05-12	Screw Mach Trhd 5/16-18 Unc x 3/4
16	873 51 05-00	Nut Keps 5/16-18 Unc
17	532 18 29-07	Hood
18	532 12 69-38	BumperHood
24	874 78 06-16	Bolt Fin Hex 3/8-16 Unc x 1 Gr. 5
25	819 13 13-12	Washer 13/32 X 13/16 X 12 Ga
26	873 80 06-00	Nut Lock Hex W/Ins 3/8-16 Unc
28	532 17 97-49	Grille/Lens
29	532 18 27-18	Lens Laser
30	532 17 37-48	Fender
31	532 13 66-19	Bracket Support Fender
33	532 18 10-57	Footrest Lh
34	532 18 10-58	Footrest RH
35	872 11 06-06	Bolt Rdhd Sqnk 3/8-16 x 3/4
37	817 49 05-08	Screw Thdrol 6/16-18 x 1/2 TYT
38	532 17 57-10	Bracket, Asm. Pivot, Mower Rear
39	532 17 47-14	Bracket Pivot Laser
58	532 15 01-27	Air Duct Engine P/L
145	532 15 65-24	Rod Pivot Chassis/Hood
166	532 16 48-63	Screw HW HD Hi-Lo #13-16 x 3/4
205	817 49 06-08	Screw Thdrol 3/8-16 x 1/2
206	532 17 01-65	Bolt Shoulder 5/16-18 TT
208	817 67 06-08	Screw Thdrol 3/8-16 x 1/2
209	817 00 06-12	Screw Hexwsh Thdrol 3/8-16 x 3/4
212	532 17 51-43	Insert Lens Reflect
--	532 00 54-79	Plug Button

**NOTE:** All component dimensions given in U.S. inches  
1 inch = 25.4 mm

# REPAIR PARTS

TRACTOR - MODEL NO. BL12536SBJ (BL12536SBJA), PRODUCT NO. 964 77 13-00  
DRIVE



# REPAIR PARTS

**TRACTOR - MODEL NO. BL12536SBJ (BL12536SBJA), PRODUCT NO. 964 77 13-00  
DRIVE**

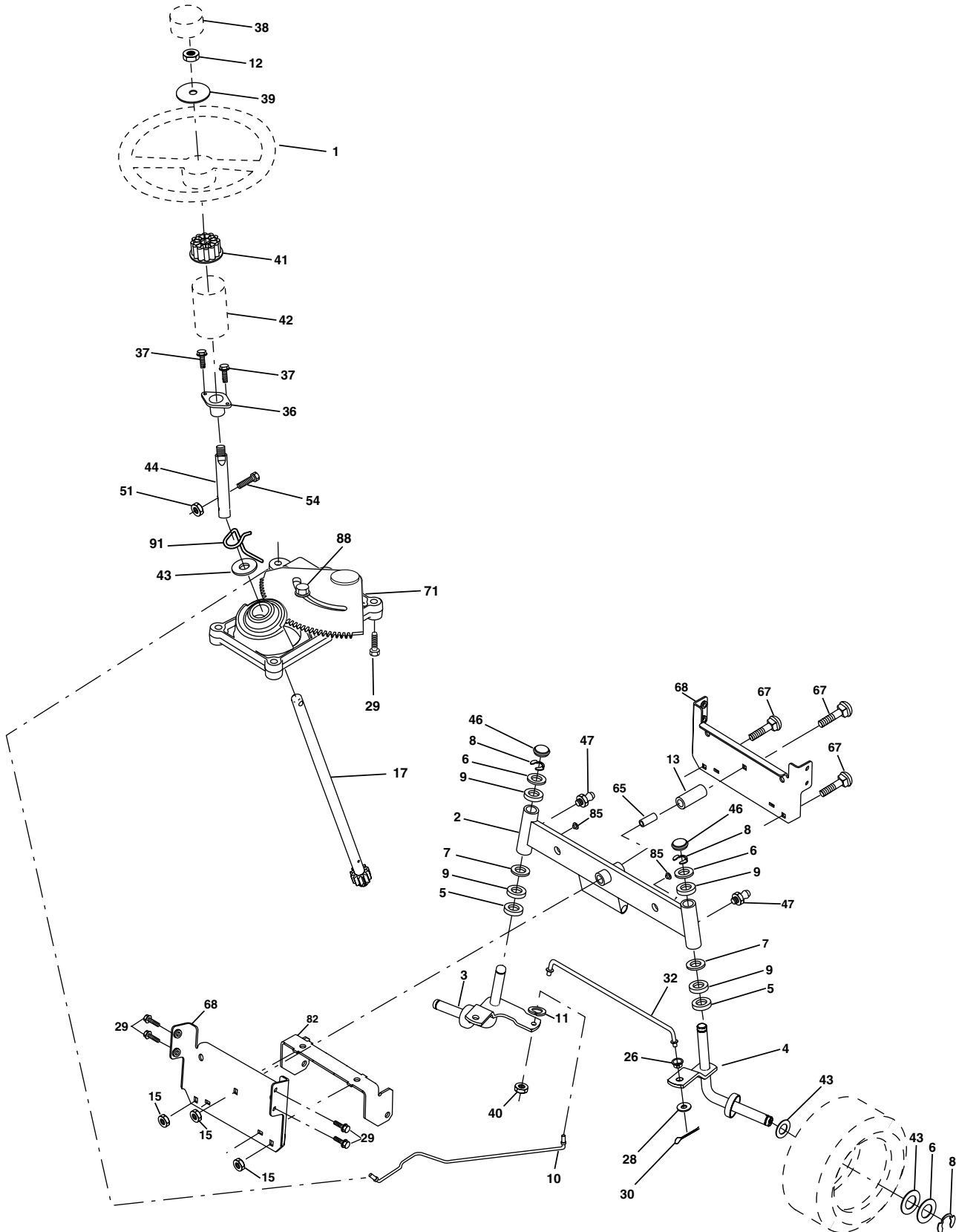
KEY PART NO. NO.	DESCRIPTION	KEY PART NO. NO.	DESCRIPTION
1	----- Transaxle, Peerless 205-544C (Order Parts From Transaxle Manufacturer)	65	810 04 07-00 Washer Lock Hvy Hlcl Spr 7/16
2	532 14 66-82 Spring Return Brake T/a Zinc	66	532 15 47-78 Keeper Belt Engine Foolproof
3	532 12 36-66 Pulley Transaxle 18" tires	70	532 18 02-18 Guide Belt Mower Drive RH
4	812 00 00-28 Ring Retainer # 5100-62	74	532 13 70-57 Spacer Axle
5	532 12 15-20 Strap Torque 30 Degrees	75	532 12 17-49 Washer 25/32 X 1 1/4 X 16 Ga
6	817 06 05-12 Screw Thdrol 5/16-18 X 3/4 TYT	76	812 00 00-01 E-ring #5133-75
8	532 16 56-19 Rod Shift	77	532 12 35-83 Key Square 2 0 X 1845/ 1865
10	876 02 04-16 Pin Cotter 1/8 X 1 Cad	78	532 12 17-48 Washer 25/32 X 1-5/8 X 16 Ga
11	532 10 57-01 Washer Plate Shf 388 Sq Hole	79	532 12 50-96 Key Woodruff #9 3/16 x 3/4
13	874 55 04-12 Bolt 1/4-28 Unf Gr 8 W/Patch	80	532 13 14-86 Arm Shift Transaxle
14	810 04 04-00 Washer Lock Hvy Helical 1/4	81	532 16 55-94 Shaft Asm Cross Taper DA/PR 18
16	873 80 05-00 Nut Lock Hx W/Ins 5/16-18 Unc	82	532 12 37-82 Spring Torsion
18	874 78 06-16 Bolt, Fin Hex 3/8-16 UNC x 1 Gr. 5	83	819 17 12-16 Washer 17/32 x 3/4 x 16 Ga.
19	873 80 06-00 Nut Lock 3/8-16 Unc	84	532 16 62-28 Link Transaxle
21	532 10 69-33 Knob Rd 1/2-13 Plstc Thds	85	532 15 03-60 Nut Lock Center 1/4-28
22	532 13 08-04 Rod Brake Blk Zinc 26 840	89	532 17 37-74 Console Shift
24	873 35 06-00 Nut Hex Jam 3/8-16 Unc	90	532 12 43-46 Nut Self-Thd Wsh-Hd 1/4 Zinc
25	532 10 68-88 Spring Rod Brake 2 00 Zinc	96	532 12 47-88 Retainer Spring 1"
26	819 13 13-16 Washer 13/32 X 13/16 X 16 Ga	112	819 09 12-10 Washer 9/32 x 3/4 x 10 Ga.
27	876 02 04-12 Pin Cotter 1/8 X 3/4 Cad	113	532 12 72-85 Strap Torque LT
28	532 17 57-65 Rod Brake Parking LT/YT	116	872 14 06-08 Bolt Rdhd Sq Neck 3/8-16 x 1
29	532 07 16-73 Cap Brake Parking Black	120	873 90 06-00 Nut Lock Flg. 3/8-16
30	532 17 49-73 Bracket Mtg Transaxle	145	874 49 05-40 Bolt Hex Flg Hd 5/16-18 Gr 5
32	874 76 05-12 Bolt Hex Hd 5/16-18unc X 3/4	150	532 17 54-56 Spacer Retainer
34	532 17 55-78 Shaft Asm Pedal Foot	151	819 13 32-10 Washer 13/32 x 2 x 10 Ga.
35	532 12 01-83 Bearing Nylon Blk 629 Id	156	532 16 60-02 Washer Srrted 5/16ID x 1.125
36	819 21 16-16 Washer 21/32 X 1 X 16 Ga	158	532 16 55-89 Bracket Shift Mount
37	532 12 49-63 Pin Roll 3/16 X 1"	159	532 16 54-94 Hub Tapered Flange Shift Lt
38	532 17 91-14 Pulley Idler	161	872 14 04-06 Bolt Rdhd Sqnk 1/4-20 x 3/4 Gr. 5
39	874 76 06-48 Bolt 3/8-16 unc X 3	162	873 68 04-00 Nut Crownlock 1/4-20 Unc
41	532 17 55-56 Keeper Belt Idler Flat	163	874 78 04-16 Bolt Hex Fin 1/4-20unc x 1 Gr. 5
47	532 12 77-83 Pulley Idler V Groove Plastic	164	819 09 10-10 Washer 5/8 x .281 x 10 Ga
48	532 15 44-07 Bellcrank Clutch Grnd Drv Stl	165	532 16 56-23 Bracket Pivot Lever
49	532 12 32-05 Retainer Belt Style Spring	166	532 16 68-80 Screw 5/16-18 x 5/8
50	874 76 06-24 Bolt Hex Hd 3/8-16unc X 1-1/2	168	532 16 54-92 Bolt Shoulder 5/16-18 x .561
51	873 68 06-00 Nut Crownlock 3/8-16 Unc	169	532 16 55-81 Plate Fastening
52	873 68 05-00 Nut Crownlock 5/16-18 Unc	170	532 17 83-94 Keeper Belt T/A
53	532 10 57-10 Link Clutch	171	817 49 06-08 Screw Thdrol 3/8-16 x 1/2 TY-TT
55	532 10 57-09 Spring Return Clutch 6 75	197	532 16 96-13 Nyliner Snap-In 5/8 ID
56	817 06 06-20 Screw 3/8-16 x 1-1/4	198	532 16 95-93 Washer Nyl 7/8ID x 105"
57	532 13 08-01 V-Belt Ground Drive 95 25	202	872 11 06-14 Bolt Carr Sh 3/8-16 x 1-3/4 Gr 5
59	532 16 96-91 Keeper Belt Span Ctr	212	532 14 52-12 Nut Hex Flg Lock
61	817 12 06-14 Screw 3/8-16 x .875	250	817 06 06-12 Screw 3/8-16 x 3/4
62	532 12 48-72 Cover Pedal	263	817 00 06-12 Screw Hexwsh Thdr 3/8-16 x 3/4
63	532 18 02-19 Engine Pulley LT/YT	268	532 18 24-03 Guard Muffler L-Head
64	871 17 07-64 Bolt Hex		

**NOTE:** All component dimensions given in U.S. inches  
1 inch = 25.4 mm



# REPAIR PARTS

TRACTOR - MODEL NO. BL12536SBJ (BL12536SBJA), PRODUCT NO. 964 77 13-00  
STEERING ASSEMBLY



# REPAIR PARTS

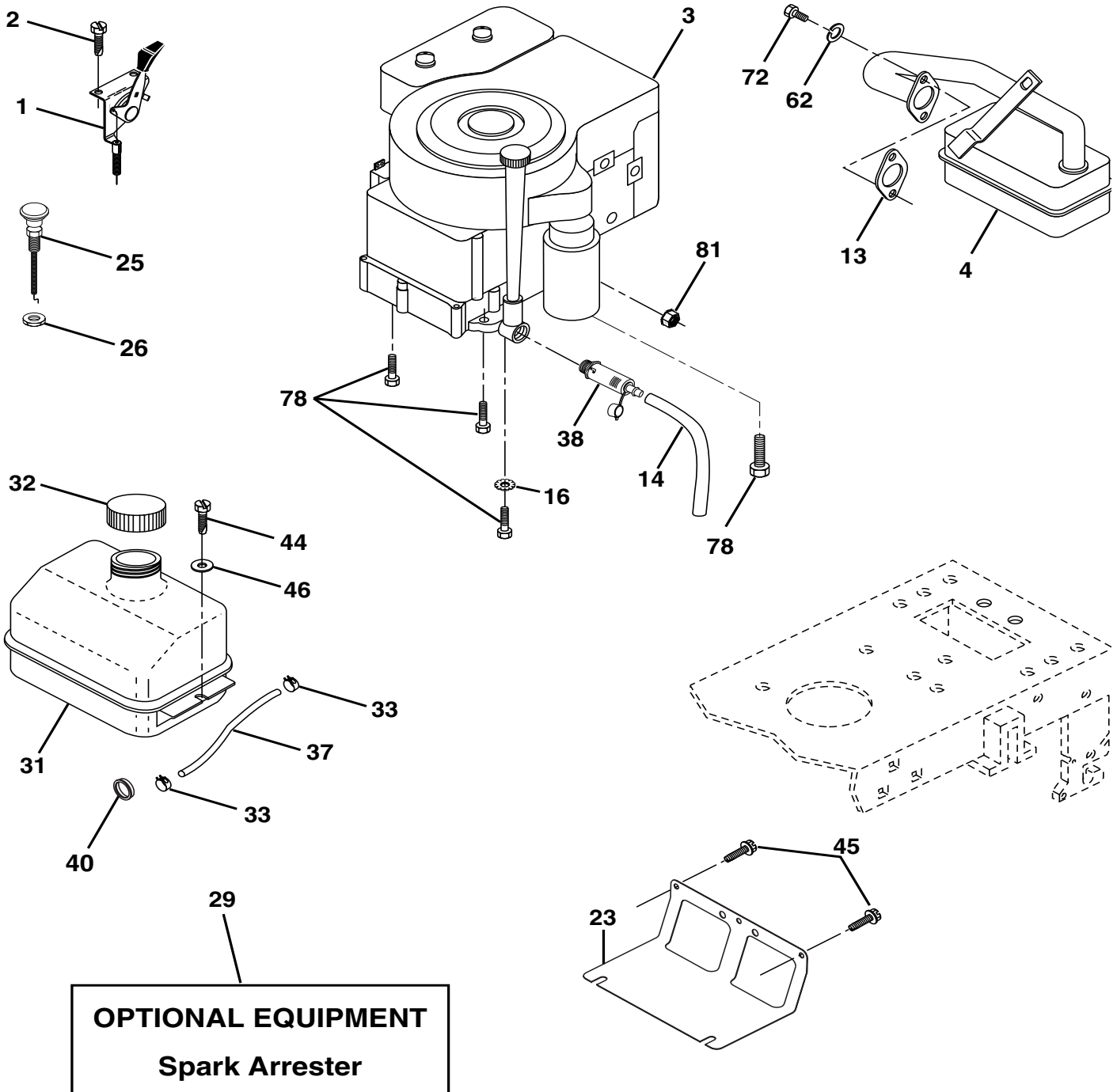
TRACTOR - MODEL NO. BL12536SBJ (BL12536SBJA), PRODUCT NO. 964 77 13-00  
STEERING ASSEMBLY

KEY NO.	PART NO.	DESCRIPTION
1	532 13 97-68	Wheel Steering
2	532 17 51-31	Axle Asm
3	532 16 98-40	Spindle Asm LH
4	532 16 98-39	Spindle Asm RH
5	532 12 49-31	Bearing Race Thrust Harden
6	532 12 17-48	Washer 25/32 X 1-5/8 X 16 Ga
7	819 27 20-16	Washer 27/32 X 1-1/4 X 16 Ga
8	812 00 00-29	Ring Klip #t5304-75
9	532 12 49-37	Bearing Col Strg Blk
10	532 17 51-21	Link Drag
11	810 04 06-00	Washer Lock Hvy Hlcl Spr 3/8
12	873 94 08-00	Nut Hex Jam Toplock 1/2-20 Unf
13	532 13 65-18	Spacer Brg Axle Front
15	532 14 52-12	Nut Hex Flange Lock
17	532 18 06-41	Shaft Asm Strg
26	532 12 68-47	Bushing Link Drag Blk LR
28	819 13 14-16	Washer 13/32 X 7/8 X 16 Ga
29	817 06 06-12	Screw 3/8-16x3/4
30	876 02 04-12	Pin Cotter 1/8 X 3/4 Cad
32	532 13 04-65	Rod Tie Wire Form 19 75 Mech
36	532 15 50-99	Bushing Strg
37	532 15 29-27	Screw
38	532 14 01-75	Cap Strg Wh
39	819 13 38-12	Washer 9/16 ID x 2-3/8 OD 12 Ga
40	532 12 47-01	Lock nut
41	532 10 07-11	Adaptor Wheel Strg
42	532 16 96-33	Boot Steering Shaft
43	532 12 17-49	Washer 25/32 X 1-1/4 X 16 Ga
44	532 18 06-40	Extension Steering Shaft
46	532 12 12-32	Cap Spindle Fr Top Blk
47	532 12 48-36	Fitting Grease
51	873 54 04-00	Nut Crownlock 1/4-28
54	871 13 04-20	Bolt Hex 1/4-28unf x 1-1/4 Gr. 8
65	532 16 03-67	Spacer Brace Axle
67	872 14 06-18	Bolt, Rdhd Sqnk 3/8-16 x 2-1/4
68	532 16 98-27	Axle, Brace
71	532 17 51-46	Steering Asm.
82	532 16 98-35	Bracket Susp Chassis Front
85	532 13 38-35	Fastener Christmas Tree
88	532 17 51-18	Bolt Shoulder 7/16-20
91	532 17 55-53	Clip Steering

**NOTE:** All component dimensions given in U.S. inches.  
1 inch = 25.4 mm.

# REPAIR PARTS

TRACTOR - MODEL NO. BL12536SBJ (BL12536SBJA), PRODUCT NO. 964 77 13-00  
ENGINE



# REPAIR PARTS

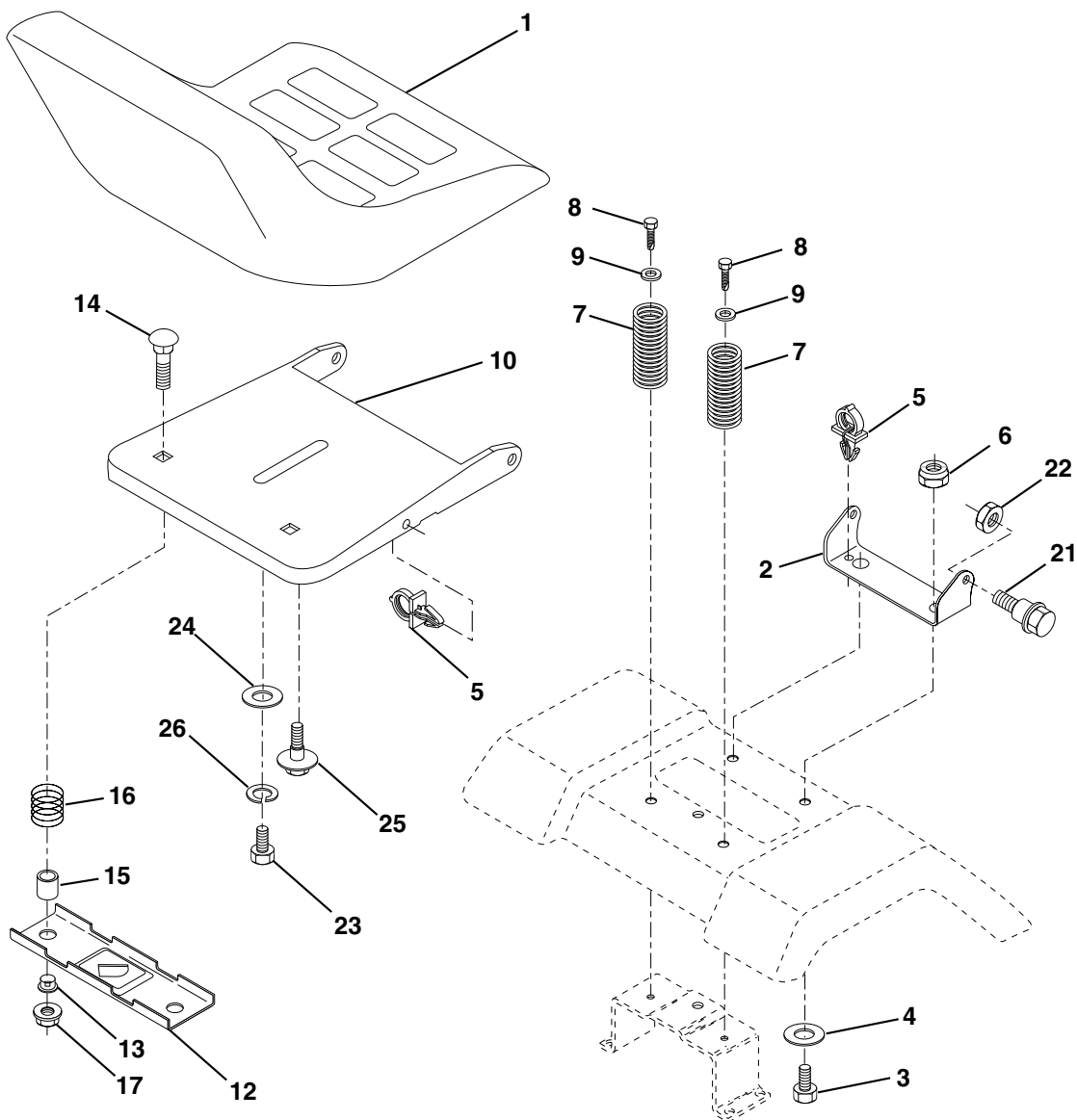
TRACTOR - MODEL NO. BL12536SBJ (BL12536SBJA), PRODUCT NO. 964 77 13-00  
ENGINE

KEY NO.	PART NO.	DESCRIPTION
1	532 17 05-51	Control Th/ch Flag
2	817 72 04-08	Screw Hex Thd Cut 1/4-20 x 1/2
3	-----	Engine B&S Model No. 289707 (Order Parts From Engine Manufacturer)
4	532 13 73-48	Muffler LT B&S 12/12.5/13HP
13	532 16 52-91	Gasket Eng 1 313 Id Tin Plated
14	532 14 84-56	Tube Drain Oil Easy
16	811 05 06-00	Washer Lock Ext Tooth 3/8
23	532 16 98-37	Shield Brn/Dbr Guard
25	532 18 09-45	Control Choke
26	873 92 06-00	Nut Keps 3/8-24 Unf
29	532 13 71-80	Kit Spark Arrestor (Flat Scrn)
31	532 10 92-02	Tank Fuel Front
32	532 14 05-27	Cap Asm Fuel W/sym Vented
33	532 12 34-87	Clamp Hose Black
37	532 13 70-40	Line Fuel 20"
38	532 14 83-15	Plug Drain Oil Easy
40	532 12 40-28	Bushing Snap Nyl Blk Fuel Line
44	817 67 04-12	Screw Hexwsh Thdrol 1/4-20x3/4
45	817 00 06-12	Screw Hex Wsh Thdrol 3/8-16 x 3/4
46	819 09 14-16	Washer 9/32 X 7/8 X 16 Ga
62	810 04 05-00	Washer Lock Hvy Hlcl Spr 5/16
72	871 07 05-12	Screw Hexhd Cap 5/16-18 x 3/4
78	817 06 06-20	Screw 3/8-16x1-1/4
81	873 51 04-00	Nut 1/4-20

**NOTE:** All component dimensions given in U.S. inches  
1 inch = 25.4 mm

# REPAIR PARTS

TRACTOR - MODEL NO. BL12536SBJ (BL12536SBJA), PRODUCT NO. 964 77 13-00  
SEAT ASSEMBLY



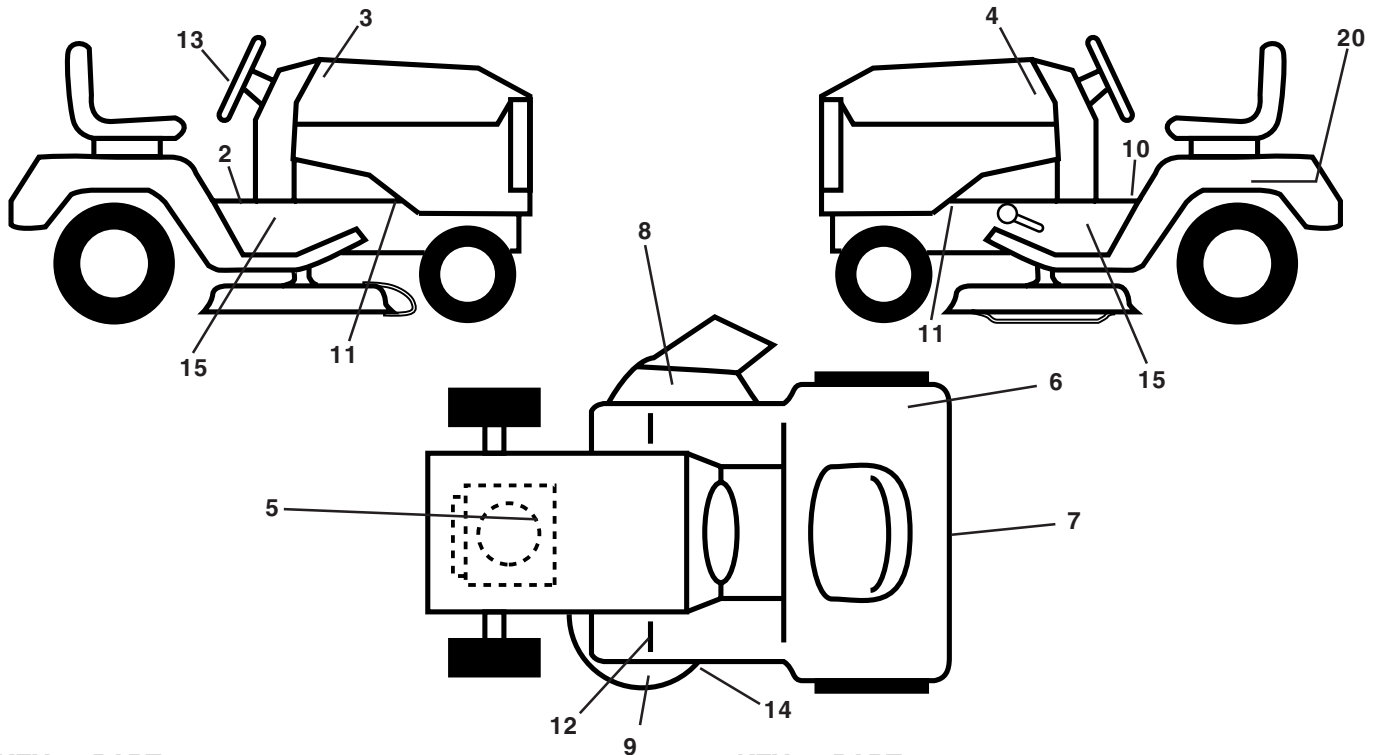
KEY NO.	PART NO.	DESCRIPTION
1	532 17 53-89	Seat
2	532 14 05-51	Bracket Pivot Seat 8 720
3	871 11 06-16	Bolt Fin Hex 3/8-16unc X 1
4	819 13 16-10	Washer 13/32 X 1 X 10 Ga
5	532 14 50-06	Clip Push-In
6	873 80 06-00	Nut Hex w/Ins. 3/8-16 Unc
7	532 12 41-81	Spring Seat Cprsn 2 250 Blk Zi
8	817 00 06-16	Screw 3/8-16 X 1-1/2
9	819 13 16-14	Washer 13/32 X 1 X 14 Ga.
10	532 18 24-93	Pan Seat
12	532 12 12-46	Bracket Mounting Switch
13	532 12 12-48	Bushing Snap Blk Nyl 50 Id

KEY NO.	PART NO.	DESCRIPTION
14	872 05 04-12	Bolt Rdhd Sqnk 1/4-20x1-1/2
15	532 13 43-00	Spacer Split 28x 96 Yel Zinc
16	532 12 12-50	Spring Cprsn 1 27 Blk Pnt
17	532 12 39-76	Nut Lock 1/4 Lge Flg Gr 5 Zinc
21	532 17 18-52	Bolt Shoulder 5/16-18 Unc
22	873 80 05-00	Nut Hex Lock W/Ins 5/16-18
23	871 11 08-14	Bolt Hex
24	819 17 19-12	Washer 17/32 X 1-3/16 X 12 Ga.
25	532 12 70-18	Bolt Shoulder 5/16-18 X 62
26	810 04 08-00	Washer Lock Hvy HLCL SPR 1/2

**NOTE:** All component dimensions given in U.S. inches.  
1 inch = 25.4 mm

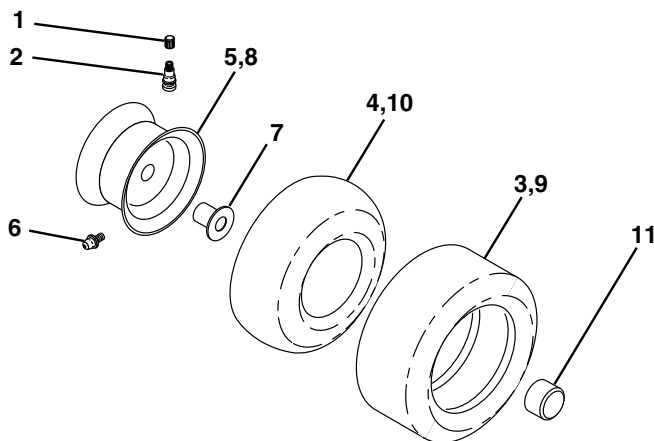
# REPAIR PARTS

TRACTOR - MODEL NO. BL12536SBJ (BL12536SBJA), PRODUCT NO. 964 77 13-00  
DECALS



KEY NO.	PART NO.	DESCRIPTION	KEY NO.	PART NO.	DESCRIPTION
2	532 14 08-37	Decal Saddle Brake Parking	10	532 14 54-98	Decal Read Owner's Manual Syms.
3	532 17 97-02	Decal Hood RH	11	532 15 97-36	Decal Chassis Hot Muffler
4	532 17 97-03	Decal Hood LH	12	532 15 97-37	Decal Brake/ Clutch Symbol Lt
5	532 17 08-41	Decal HP Engine	13	532 16 62-85	Decal Wheel Steering
6	532 18 04-32	Decal Fender 100 DB/CE	14	532 13 68-32	Decal V-Belt Schematic
7	532 16 67-08	Decal Fender Logo	15	532 17 10-94	Decal Chassis 36/5sp Bernard
8	532 18 21-66	Decal Mower Cutfinger	20	532 14 50-05	Decal Bat Dan/Psn
9	532 13 49-99	Decal Mower Enviro	--	532 16 25-98	Decal Drawbar
			--	532 13 83-11	Decal Handle Lift Height Adjust
			--	532 17 98-20	Manual Operator's (Euro.)

## WHEELS & TIRES

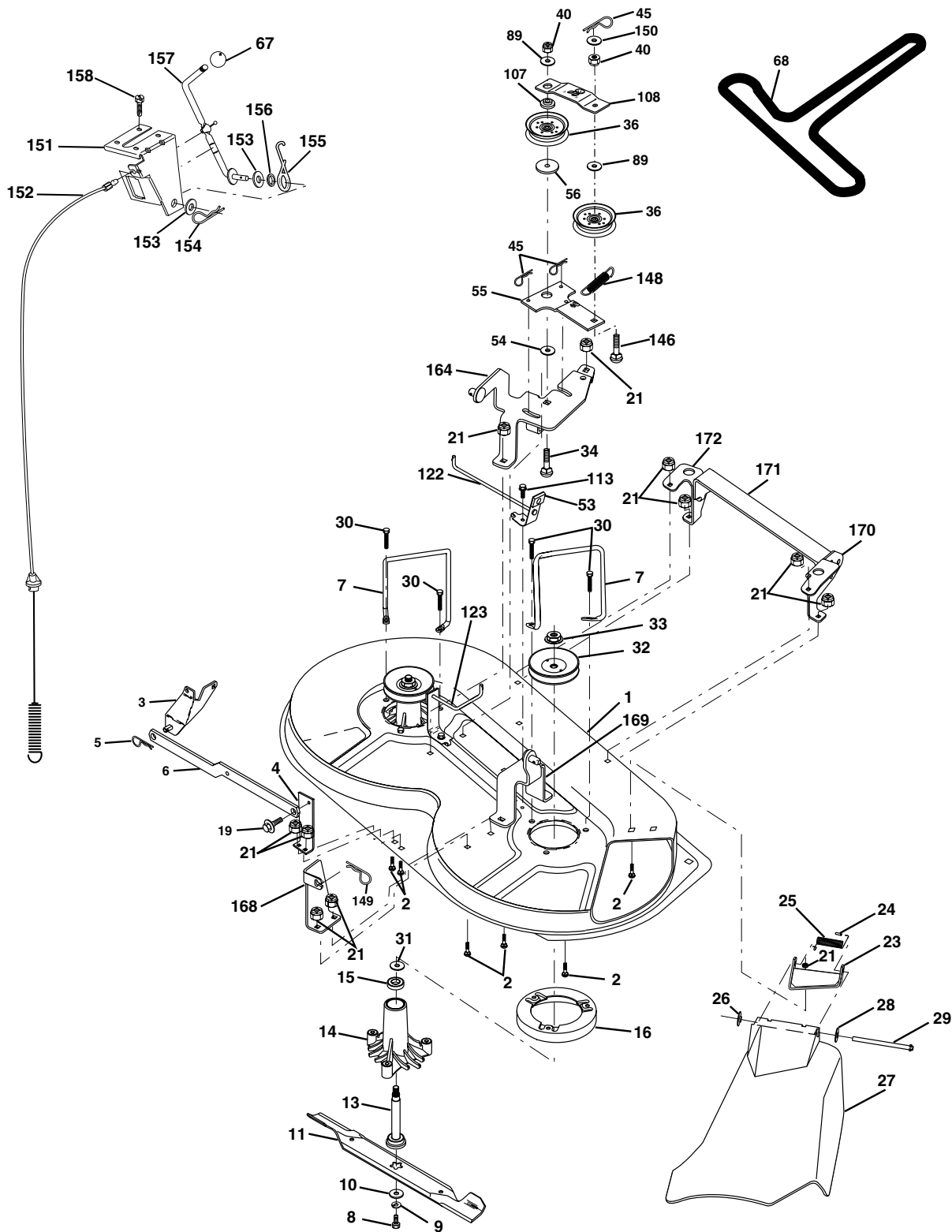


KEY NO.	PART NO.	DESCRIPTION
1	532 05 91-92	Cap Valve Tire
2	532 06 51-39	Stem Valve
3	532 12 41-57	Tire F Ts 15 X 6 0 - 6 Service
4	532 05 99-04	Tube Front (Service Item Only)
5	532 12 51-21	Rim Asm 6" front Service
6	532 12 49-57	Fitting Grease (Front Wheel Only)
7	532 12 49-59	Bearing Flange (Front Wheel Only)
8	532 12 51-22	Rim Asm 8" rear Service
9	532 12 39-69	Tire R Ts 18x8 5-8 C Service
10	532 12 49-26	Tube Rear (Service Item Only)
11	532 17 50-39	Cap Axle Blk 1 50 X 1 00
--	532 14 43-34	Sealant, Tire ( 10 oz. Tube)

**NOTE:** All component dimensions given in U.S. inches  
1 inch = 25.4 mm

# REPAIR PARTS

TRACTOR - MODEL NO. BL12536SBJ (BL12536SBJA), PRODUCT NO. 964 77 13-00  
MOWER DECK



# REPAIR PARTS

**TRACTOR - MODEL NO. BL12536SBJ (BL12536SBJA), PRODUCT NO. 964 77 13-00  
MOWER DECK**

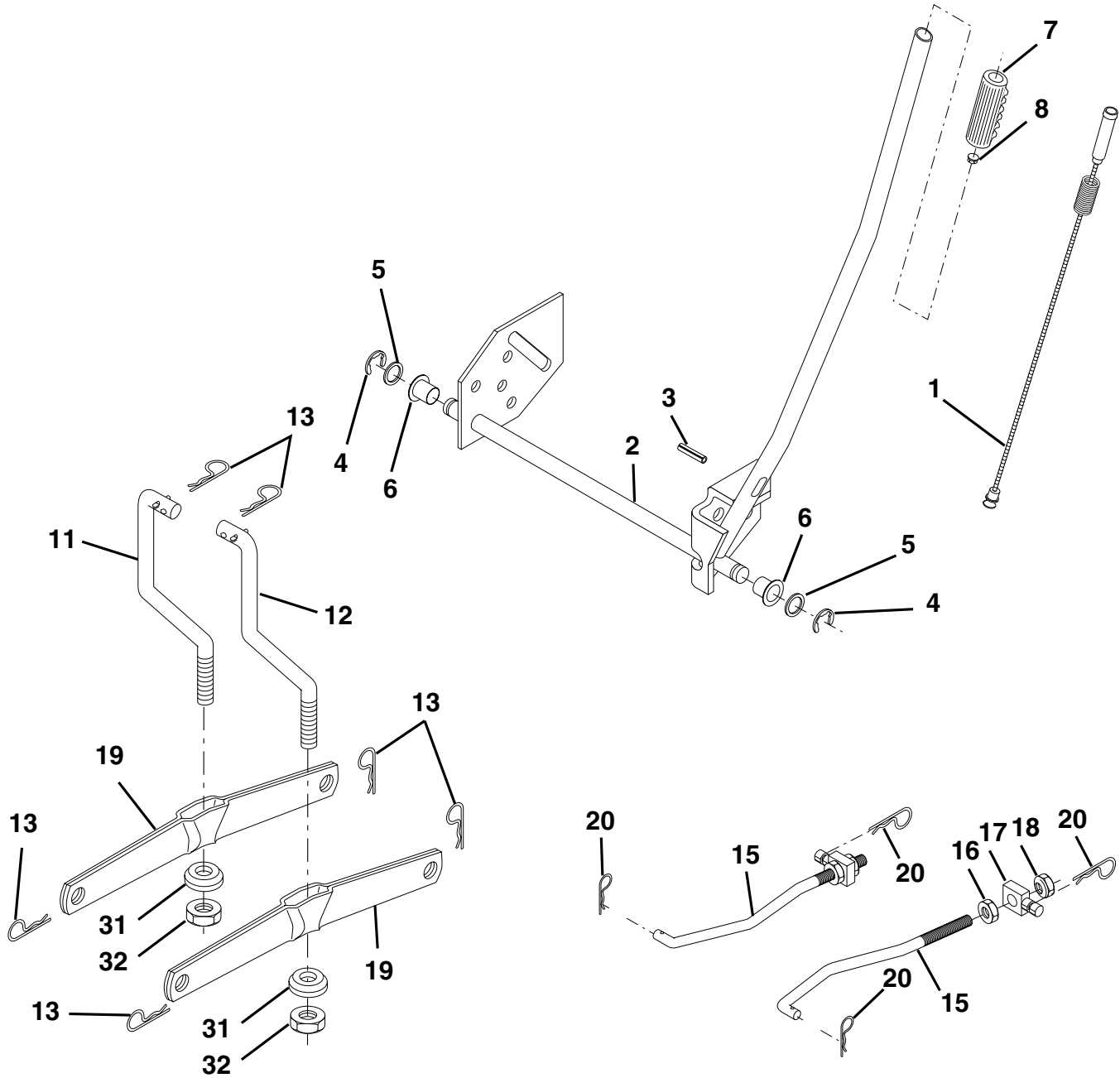
KEY NO.	PART NO.	DESCRIPTION	KEY NO.	PART NO.	DESCRIPTION
1	532 17 45-95	Mower Deck Assembly	56	532 16 57-23	Spacer, Retainer
2	872 14 05-06	Bolt	67	532 10 69-32	Knob RD 3/8-16 Plstc Thd
3	532 13 80-17	Bracket Assembly, Sway Bar	68	532 18 02-13	Belt
4	532 17 56-54	Bracket Sway Bar	89	819 13 16-12	Washer 13/32 x 1 x 12 Ga
5	532 12 46-70	Retainer Spring	107	532 13 35-02	Spacer, Retainer
6	532 17 80-24	Bar Sway Deck	108	532 13 35-03	Stiffener, Idler Arm
7	532 14 06-08	Keeper Belt	113	817 49 05-08	Screw Thdrol 5/16-18 x 1/2
8	532 85 08-57	Bolt, Hex 3/8-24 x 1.25 Gr. 8	122	532 17 45-05	Rod, Brake, LH
9	810 03 06-00	Washer, Lock Hvy Hlcl 3/8	123	532 17 45-04	Rod, Brake, RH
10	532 14 02-96	Washer, Hardened	146	532 16 58-91	Bolt Carriage Idler
11	532 13 84-96	Blade, Mower	148	532 16 90-22	Spring Return Idler
--	532 14 01-01	Blade Mulching	149	532 16 58-98	Retainer Spring Yellow Zinc
13	532 13 76-45	Shaft Assembly, Mandrel,	150	819 09 12-16	Washer 9/32 x 3/4 x 16 Ga.
14	532 12 87-74	Housing, Mandrel, Vented	151	532 16 96-70	Bracket Clutch
15	532 11 04-85	Bearing, Ball, Mandrel	152	532 17 60-79	Cable Clutch
16	532 17 44-93	Stripper, Mower Deck	153	532 16 96-74	Washer Flat 3/8" Type B
19	532 13 28-27	Bolt, Shoulder	154	532 16 96-75	Spring Retainer
21	873 68 05-00	Nut Crownlock 5/16-18	155	532 16 96-71	Spring Retention Lever
23	532 13 66-31	Bracket, Mower Deflector	156	532 16 96-72	Spacer
24	532 10 53-04	Cap, Sleeve	157	532 16 96-69	Rod Clutch
25	532 12 37-13	Spring, Torsion, Deflector	158	817 72 04-08	Screw Hex Thd Cut 1/4-20 x 1/2
26	532 11 04-52	Nut, Push	164	532 17 49-76	Bracket Asm Idler Support
27	532 17 61-62	Shield, Deflector	168	532 17 23-77	Bracket Deck Cable
28	819 11 10-16	Washer 11/32 x 5/8 x 16 Ga.	169	532 17 49-77	Bracket Asm Suspension
29	532 12 19-80	Rod, Hinge	170	532 17 23-59	Bracket Suspension RF
30	532 17 39-84	Screw Thdrol	171	532 16 52-37	Bracket Support Susp. Frt
31	532 12 99-63	Washer, Spacer	172	532 17 23-55	Bracket Suspension LF
32	532 15 35-31	Pulley, Mandrel	--	532 13 07-94	Mandrel Assembly (Includes Housing, Shaft and Shaft Hardware Only - Pulley Not Included)
33	532 17 83-42	Nut, Toplock, Flanged	--	532 18 13-76	Replacement Mower, Complete
34	872 11 06-14	Bolt Rdhd 3/8-16 x 1-3/4			
36	532 13 14-94	Pulley, Idler, Flat			
40	873 68 06-00	Nut Crownlock 3/8-16			
45	532 12 47-88	Retainer, Spring			
53	532 13 08-40	Brake Assembly			
54	532 13 39-43	Washer, Hardened			
55	532 13 38-40	Idler Arm Assembly			

**NOTE:** All component dimensions given in U.S. inches  
1 inch = 25.4 mm



# REPAIR PARTS

TRACTOR - MODEL NO. BL12536SBJ (BL12536SBJA), PRODUCT NO. 964 77 13-00  
MOWER LIFT



# REPAIR PARTS

TRACTOR - MODEL NO. BL12536SBJ (BL12536SBJA), PRODUCT NO. 964 77 13-00  
MOWER LIFT

KEY NO.	PART NO.	DESCRIPTION
1	532 15 94-60	Wire Asm Inner/Spring W/plunger
2	532 15 94-71	Shaft Asm Lift
3	532 10 57-67	Pin Groove
4	812 00 00-02	E Ring #5133-62
5	819 21 16-21	Washer PLTD 21/32 X 1 X 21ga
6	532 12 01-83	Bearing Nylon Blk 629 Id
7	532 10 94-13	Grip Handle
8	532 12 45-26	Button Plunger Black
11	532 13 98-65	Link Lift LH
12	532 13 98-66	Link Lift RH
13	532 12 46-70	Retainer Spring
15	532 17 32-88	Link Front
16	873 35 08-00	Nut Jam Hex 1/2-13 Unc
17	532 17 56-89	Trunnion
18	873 80 08-00	Nut Lock W/wsh 1/2-13unc
19	532 13 98-68	Arm Suspension Rear
20	532 16 35-52	Spring, Retainer
31	532 16 98-65	Bearing Pvt. Lift
32	873 54 06-00	Nut Crownlock 3/8-24

**NOTE:** All component dimensions given in U.S. inches  
1 inch = 25.4 mm