

ILLUSTRATED PARTS BREAKDOWN

BERNARD

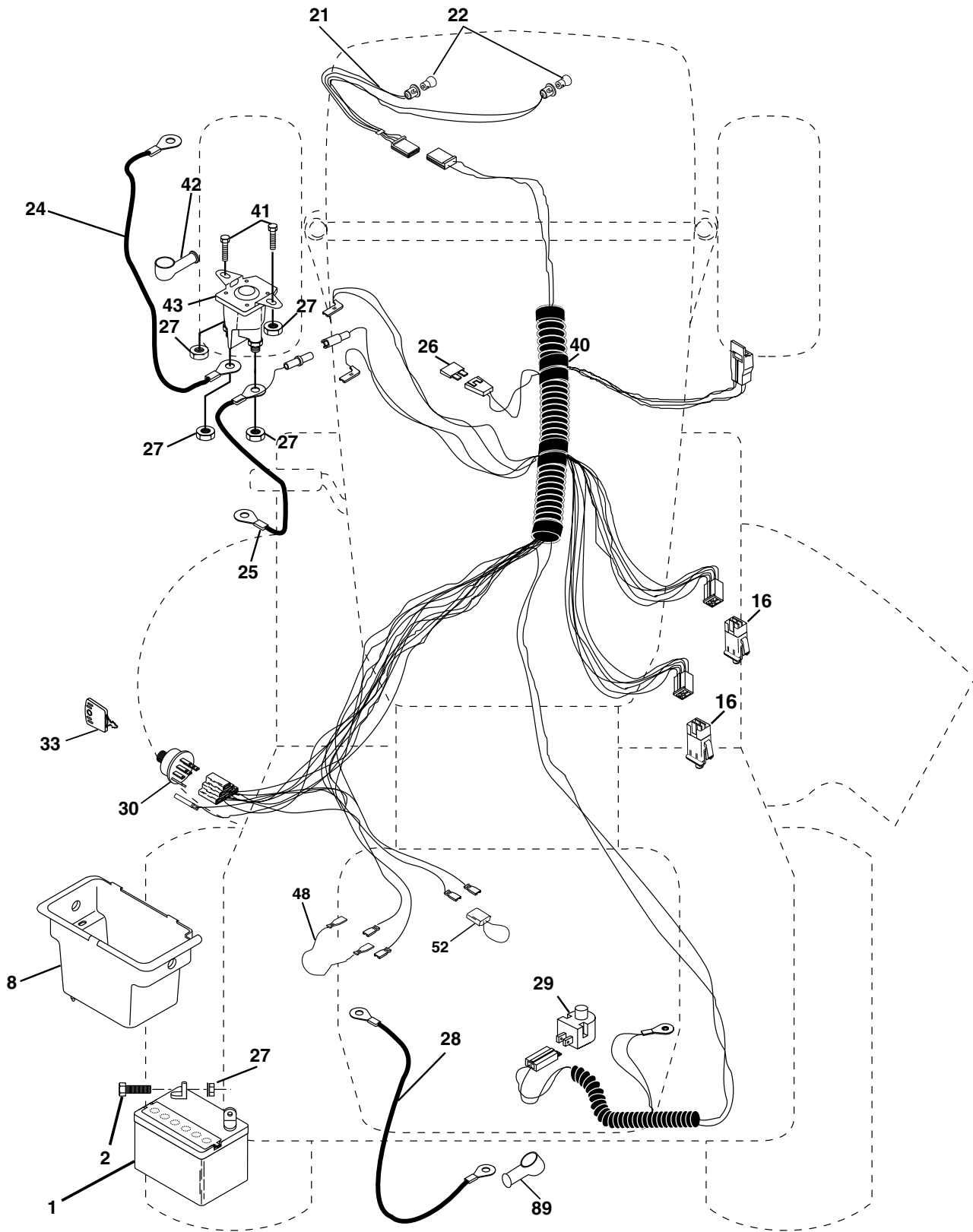
13.5 HP LAWN TRACTOR

MODEL NO. BL13542SBK (BL13542SBA)

964 78 10-00

REPAIR PARTS

TRACTOR -- MODEL NO. BL13542SBK (BL13542SBA), PRODUCT NO. 964 78 10-00
ELECTRICAL



REPAIR PARTS

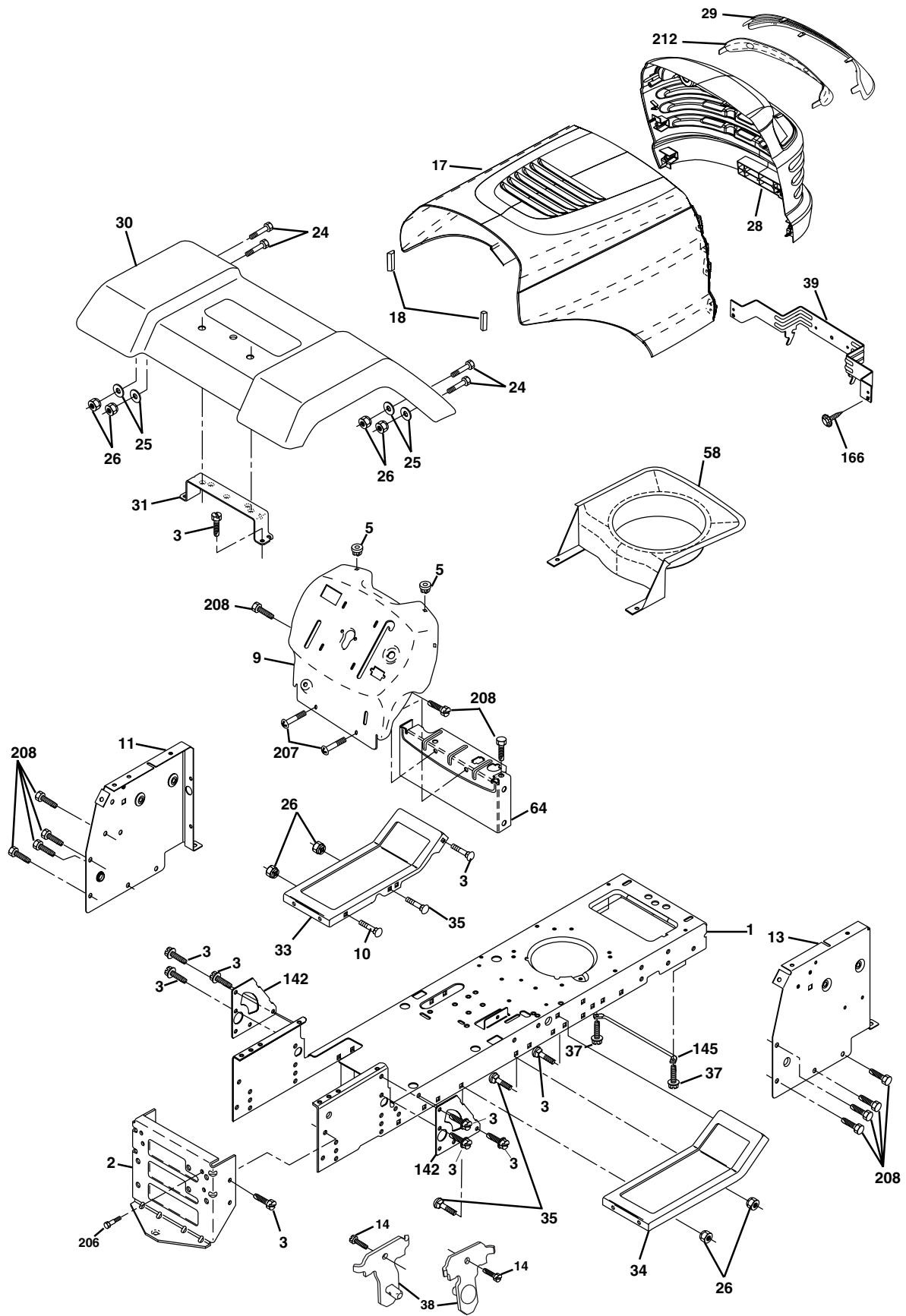
TRACTOR - - MODEL NO. BL13542SBK (BL13542SBA), PRODUCT NO. 964 78 10-00
ELECTRICAL

KEY NO.	PART NO.	DESCRIPTION
1	163465	Battery
2	74760412	Bolt Hex Hd 1/4-20unc x 3/4
8	176689	Box Battery Fender
16	176138	Switch, Interlock
24	4799J	Cable Battery 6 Ga 11" red
25	146147	Cable Battery 6 Ga w/16 wire red
26	175158	Fuse 20 AMP
27	73510400	Nut, Keps Hex 1/4-20 UNC
28	4207J	Cable Ground 6 Ga 12" black
29	121305X	Switch Plunger Nc Gray
30	175567	Switch Ign
33	140401	Key Ign
40	179720	Harness Ign
41	71110408	Bolt Blk. Fin Hex 1/4-20 Unc x 1/2
42	131563	Cover Terminal Red
43	178861	Solenoid
48	140844	Adapter Ammeter Rectangular
52	141940	Protection Wire Loop
89	180449	Cover Terminal Battery

NOTE: All component dimensions given in U.S. inches
1 inch = 25.4 mm

REPAIR PARTS

TRACTOR - - MODEL NO. BL13542SBK (BL13542SBA), PRODUCT NO. 964 78 10-00
CHASSIS AND ENCLOSURES



REPAIR PARTS

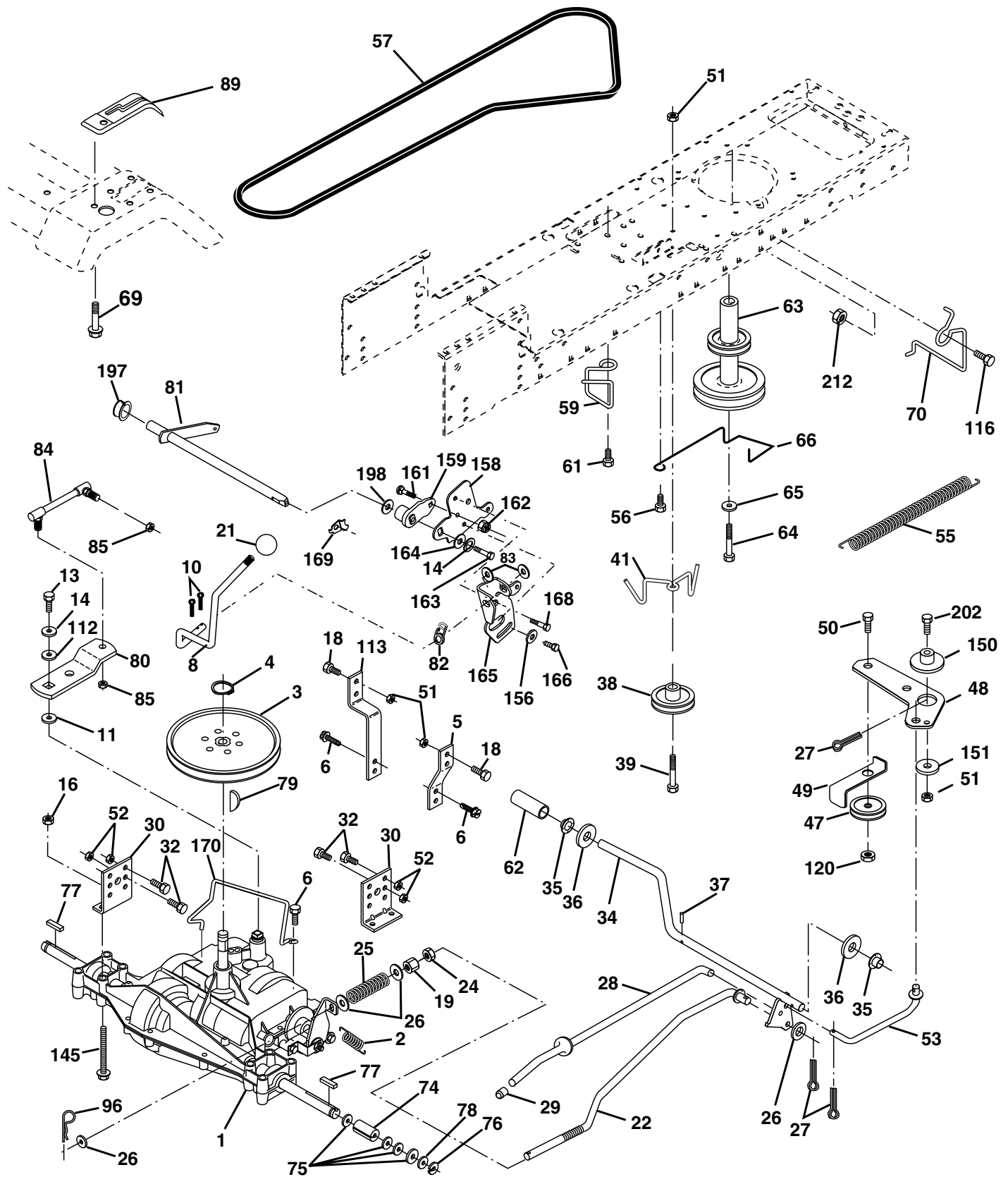
TRACTOR - - MODEL NO. BL13542SBK (BL13542SBA), PRODUCT NO. 964 78 10-00
CHASSIS AND ENCLOSURES

KEY NO.	PART NO.	DESCRIPTION
1	174619	Chassis
2	176554	Drawbar
3	17060612	Screw 3/8-16 x 3/4
5	155272	Bumper Hood/Dash
9	168336X010	Dash.
10	72140608	Bolt, Carriage 3/8-16 x 1
11	155927	Panel, Dash, L.H.
13	172107X010	Panel, Asm. SLKSCR Dash R.H.
14	17490608	Screw Thdrol 3/8-16 x 1/2
17	174330X421	Hood
18	126938X	Bumper Hood
24	74780616	Bolt Fin Hex 3/8-16 UNC X 1 Gr. 5
25	19131312	Washer 13/32 x 13/16 x 12 Gauge
26	73800600	Nut, Lock Hex W/Ins. 3/8-16 UNC
28	179750	Grille/Lens Asm
29	174332X428	Lens, Grille
30	169468X421	Fender
31	136619	Bracket Fender
33	179716X418	Footrest LH
34	179717X418	Footrest RH
35	72110606	Bolt Rdhd Sht Sqnk 3/8-16 x 3/4
37	17490508	Screw Thdrol 5/16-18 x 1/2 TYT
38	175710	Pivot Bracket Assembly
39	174714	Bracket Pivot Laser
58	150127	Duct Air Engine
64	154798	Dash Lower STLT
142	175702	Plate Reinforcement STLT
145	156524	Rod Pivot Chassis/Hood
166	164863	Screw HWHD Hi-Lo #13-16 x 3/4
206	170165	Bolt Shoulder
207	17670508	Screw Thdrol 5/16-18 x 1/2 TYTT
208	17670608	Screw Thdrol 3/8-16 x 1/2 TYT
212	175143	Insert Lens Reflective

NOTE: All component dimensions given in U.S. inches
1 inch = 25.4 mm

REPAIR PARTS

TRACTOR -- MODEL NO. BL13542SBK (BL13542SBA), PRODUCT NO. 964 78 10-00
DRIVE



REPAIR PARTS

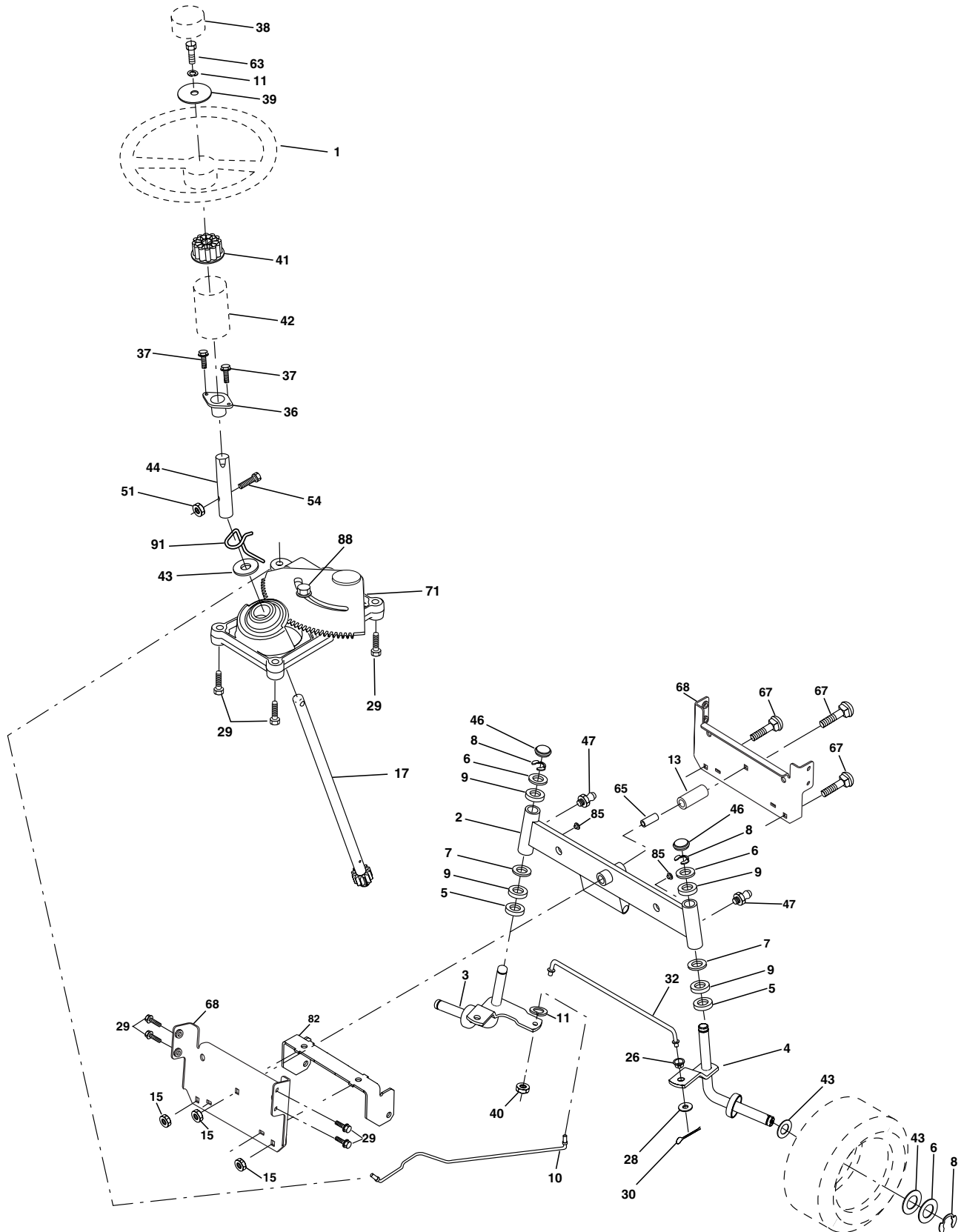
TRACTOR - - MODEL NO. BL13542SBK (BL13542SBA), PRODUCT NO. 964 78 10-00
DRIVE

KEY NO.	PART NO.	DESCRIPTION	KEY NO.	PART NO.	DESCRIPTION
1	----	Transaxle (Order parts from transaxle manufacturer) Peerless Model 206-545C	63	175410	Pulley Eng Cl
2	146682	Spring Return Brake T/a Zinc	64	71170764	Bolt Hex 7/16-20 x 4 Gr 5
3	123666X	Pulley Transaxle 18/20" tires	65	10040700	Washer Lock Hvy Hlcl Spr 7/16
4	12000028	Ring Retainer # 5100-62	66	154778	Keeper Belt Engine
5	121520X	Strap Torque 30 Degrees	69	142432	Screw Hex Wsh Hi-Lo 1/4-1/2 Unc
6	17060512	Screw 5/16-18 x 3/4	70	134683	Guide Belt Mower Drive RH
8	165619	Rod Shifter	74	137057	Spacer Axle
10	76020416	Pin Cotter 1/8 x 1 Cad	75	121749X	Washer 25/32 x 1 1/4 x 16 Ga
11	105701X	Washer Plate Shf 388 Sq Hole	76	12000001	E-ring #5133-75
13	74550412	Bolt 1/4-28unf Gr8 W/Patch	77	123583X	Key Square
14	10040400	Washer Lock Hvy Helical 1/4	78	121748X	Washer 25/32 x 1-5/8 x 16ga
16	73800500	Nut Lock Hx w/Ins 5/16-18 Unc	79	2228M	Key Woodruff #9 3/16 x 3/4
18	74780616	Bolt Fin Hex 3/8-16unc x 1 Gr.5	80	131486	Arm, Shift
19	73800600	Nut Lock Hex W/Ins. 3/8-16 Unc	81	165594	Shaft Assembly
21	106933X	Knob Rd 1/2-13 Plstc Thds Blk	82	123782X	Spring, Torsion
22	130804	Rod Brake Blk Zinc 26 840	83	19171216	Washer 17/32 x 3/4 x 16 Gauge
24	73350600	Nut Hex Jam 3/8-16 Unc	84	166228	Link Transaxle
25	106888X	Spring Rod Brake 2 00 Zinc	85	150360	Nut, Nylock
26	19131316	Washer 13/32 x 13/16 x 16 Ga	89	169372X428	Console, Shift
27	76020412	Pin Cotter 1/8 x 3/4 Cad	96	4497H	Retainer Spring 1"
28	175765	Rod Brake Parking Lt/Yt	112	19091210	Washer 9/32 x 3/4 x 10 Ga
29	71673	Cap Brake Parking	113	127285X	Strap Torque Lh Lt
30	174973	Bracket Mtg Transaxle	116	72140608	Bolt Rdhd Sq Neck 3/8-16 x 1.00
32	74760512	Bolt Hex Hd 5/16-18unc x 3/4	120	73900600	Nut Lock Flg. 3/8-16 Unc
34	175578	Shaft Pedal Foot	145	74490540	Bolt Hex FLGHD 5/16-18Gr.5
35	120183X	Bearing Nylon Blk 629 Id	150	175456	Spacer, Retainer
36	19211616	Washer 21/32 x 1 x 16 Ga	151	19133210	Washer 13/32 x 2 x 10 Ga.
37	1572H	Pin Roll 3/16 x 1"	156	166002	Washer Srrted 5/16ID x 1 .125
38	179114	Pulley Idler	158	165589	Bracket Shift Mount
39	74760648	Bolt Fin Hex 3/8-16 Unc x 3	159	165494	Hub Tapered Flange Shift Lt
41	175556	Keeper Belt Idler	161	72140406	Bolt Rdhd Sqnk 1/4-20 x 3/4 Gr. 5
47	127783	Pulley Idler	162	73680400	Nut Crownlock 1/4-20 UNC
48	154407	Bellcrank Clutch Grnd Drv STL	163	74780416	Bolt Hex Fin 1/4-20 UNC x 1 Gr. 5
49	123205X	Retainer Belt Style Spring	164	19091010	Washer 5/8 x .281 x 10 Ga.
50	74760624	Bolt Hex Hd 3/8-16unc x 1-1/2	165	165623	Bracket Pivot Lever
51	73680600	Nut Crownlock 3/8-16 Unc	166	166880	Screw 5/16-18 x 5/8
52	73680500	Nut Crown Lock 5/16-18	168	165492	Bolt shoulder 5/16-18 x .561
53	105710X	Link Clutch 7 66	169	165580	Plate Fastening Lt
55	105709X	Spring Return Clutch 6 75	170	178394	Keeper Belt T/A D/P
56	17060620	Screw 3/8-16 x 1-1/4	197	169613	Nyliner Snap-In
57	130801	V-Belt Gd Drive 95 00	198	169593	Washer Nyliner
58	127274X	Keeper Belt Rh	202	72110614	Bolt Carr Sh 3/8-16 x 1-3/4 Gr. 5
59	169691	Keeper Belt Centerspan	212	145212	Nut, Hex Flange Lock
61	17120614	Screw 3/8-16 x .875			
62	8883R	Cover Pedal Blk Round			

NOTE: All component dimensions given in U.S. inches
1 inch = 25.4 mm

REPAIR PARTS

TRACTOR - - MODEL NO. BL13542SBK (BL13542SBA), PRODUCT NO. 964 78 10-00
STEERING ASSEMBLY



REPAIR PARTS

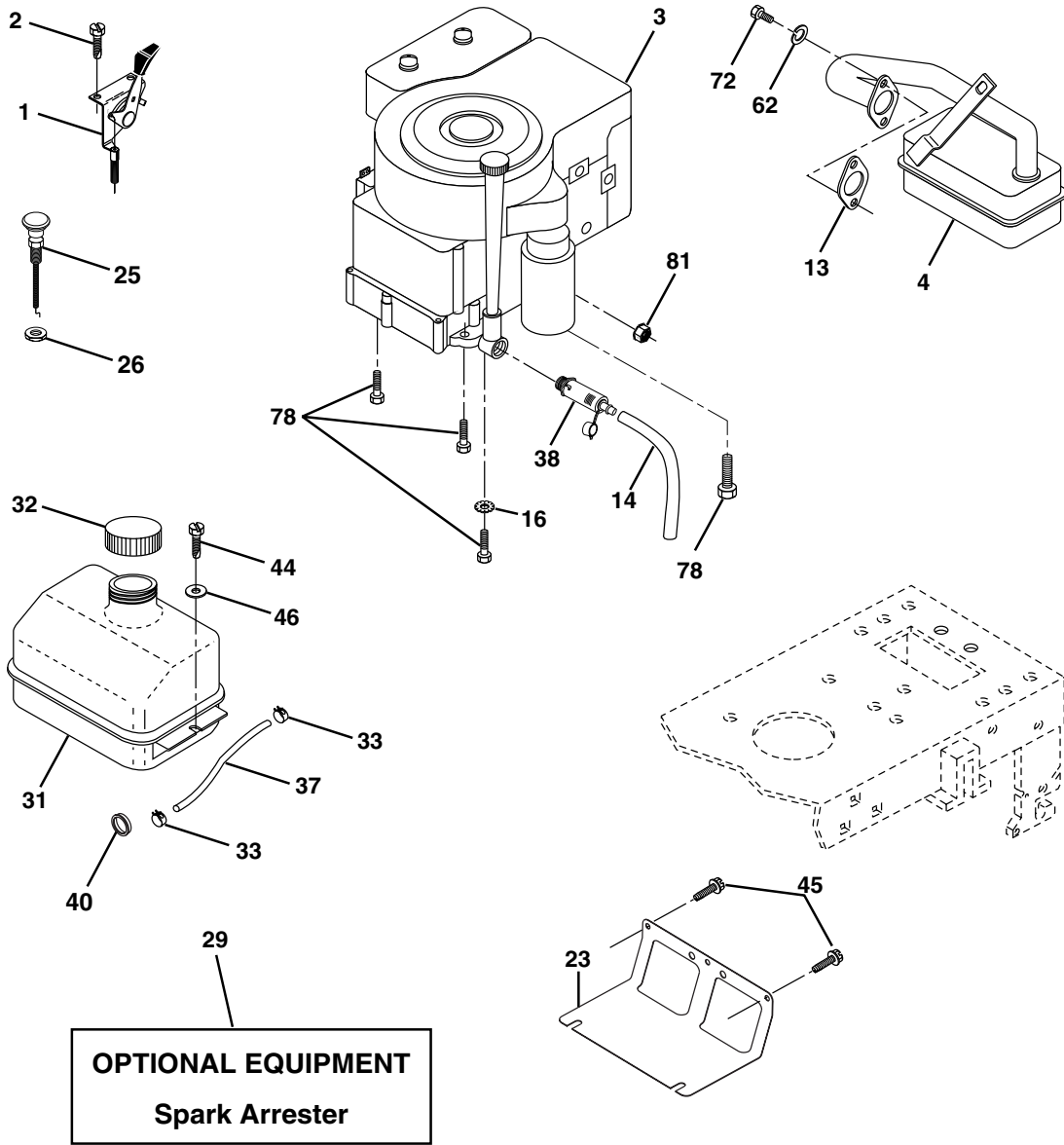
TRACTOR - - MODEL NO. BL13542SBK (BL13542SBA), PRODUCT NO. 964 78 10-00
STEERING ASSEMBLY

KEY NO.	PART NO.	DESCRIPTION
1	139768	Steering Wheel
2	175131	Front Axle Assembly
3	169840	Spindle Assembly, L.H.
4	169839	Spindle Assembly, R.H.
5	6266H	Bearing, Race, Thrust, Hardened
6	121748X	Washer 25/32 x 1-5/8 x 16 Gauge
7	19272016	Washer 27/32 x 1-1/4 x 16 Gauge
8	12000029	Ring, Klip
9	3366R	Bearing, Steering Column
10	175121	Link, Drag
11	10040600	Washer, Lock
13	136518	Spacer, Bearing, Front Axle
15	145212	Nut, Hex Flange Lock
17	177876	Shaft Assembly, Steering
26	126847X	Bushing, Link, Drag
28	19131416	Washer 13/32 x 7/8 x 16 Gauge
29	17060612	Screw 3/8-16 x 3/4
30	76020412	Pin
32	130465	Rod, Tie
36	155099	Bushing, Steering
37	152927	Screw TT #10-32 x 5 x 3/8 Flange
38	140175	Cap Wheel Steer
39	19133812	Washer 13/32 x 2-3/8 x 12 Gauge
40	7810H	Nut Lock Center 3/8-242 Unf
41	100711L	Adaptor, Steering Wheel
42	145054X428	Boot, Steering Dash P/L Mtl Blk
43	121749X	Washer 25/32 x 1-1/4 x 16 Gauge
44	153720	Extension Steering Non-Adjust
46	121232X	Cap, Spindle
47	6855M	Fitting, Grease
51	73800500	Nut Lock Hx W/Ins 5/16-18 UNC
54	74780520	Bolt Fin Hex 5/16-18 UNC x 1-1/4
63	74780616	Bolt Fin Hex 3/8-16 unc. x 1 Gr. 5
65	160367	Spacer Axle
67	72140618	Bolt RdHd Sq 3/8-16 x 2-1/4
68	169827	Brace Axle
71	175146	Steering Asm
82	169835	Bracket Susp Chassis Front
85	133835	Fastener Christmas Tree
88	175118	Bolt Shoulder 7/16-20 Unc
91	175553	Clip Steering

NOTE: All component dimensions given in U.S. inches
1 inch = 25.4 mm

REPAIR PARTS

TRACTOR - - MODEL NO. BL13542SBK (BL13542SBA), PRODUCT NO. 964 78 10-00
ENGINE



OPTIONAL EQUIPMENT
Spark Arrester

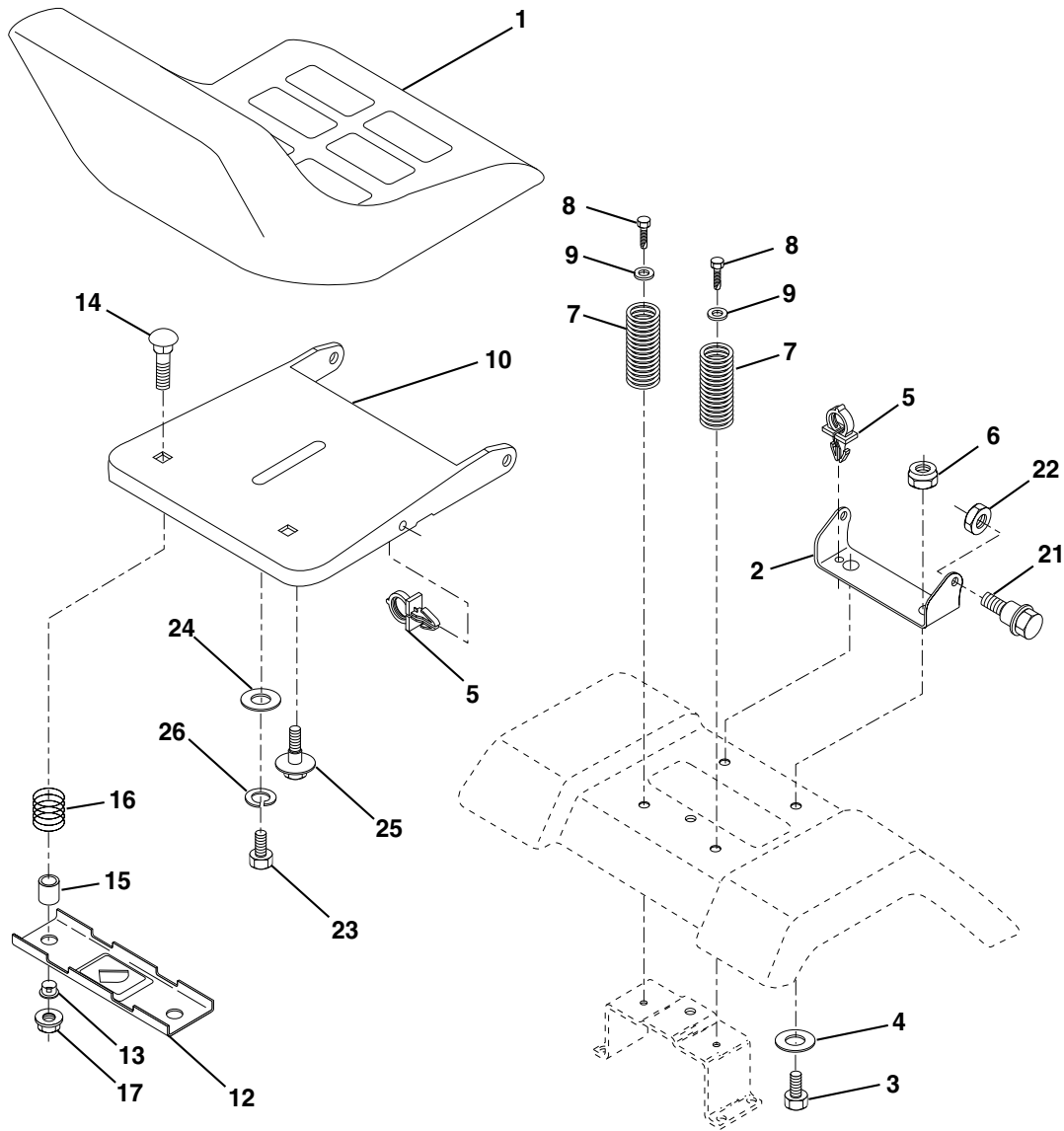
KEY NO.	PART NO.	DESCRIPTION
1	170551	Control Th/ch Flag
2	17720408	Screw Hex Thd Cut 1/4-20 x 1/2
3	-----	Engine Briggs & Stratton (Order parts from engine manufacturer)
4	137352	Muffler
13	165291	Gasket Eng 1 313 Id Tin Plated
14	148456	Tube Drain Oil Easy
16	11050600	Washer Lock Ext Tooth 3/8
23	169837	Shield Brn/Dbr Guard
25	180945	Control Choke
26	73920600	Nut Keps 3/8-24 Unf
29	137180	Kit Spark Arrestor (Flat Scrm)
31	109202X	Tank Fuel Front 2 00
32	140527	Cap Asm Fuel

KEY NO.	PART NO.	DESCRIPTION
33	123487X	Clamp Hose Blk
37	137040	Line Fuel
38	148315	Plug Drain Oil Easy
40	124028X	Bushing Snap Nyl Blk Fuel Line
44	17670412	Screw Hexwsh Thdrol 1/4-20x3/4
45	17000612	Screw Hexwsh Thdr 3/8-16 x 3/4
46	19091416	Washer 9/32 X 7/8 X 16 Ga
62	10040500	Washer 5/16
72	71070512	Screw 5/16-18 x 3/4
78	17060620	Screw 3/8-16x1-1/4
81	73510400	Nut Keps Hex 1/4-20 Unc

NOTE: All component dimensions given in U.S. inches
1 inch = 25.4 mm

REPAIR PARTS

TRACTOR - - MODEL NO. BL13542SBK (BL13542SBA), PRODUCT NO. 964 78 10-00
SEAT ASSEMBLY

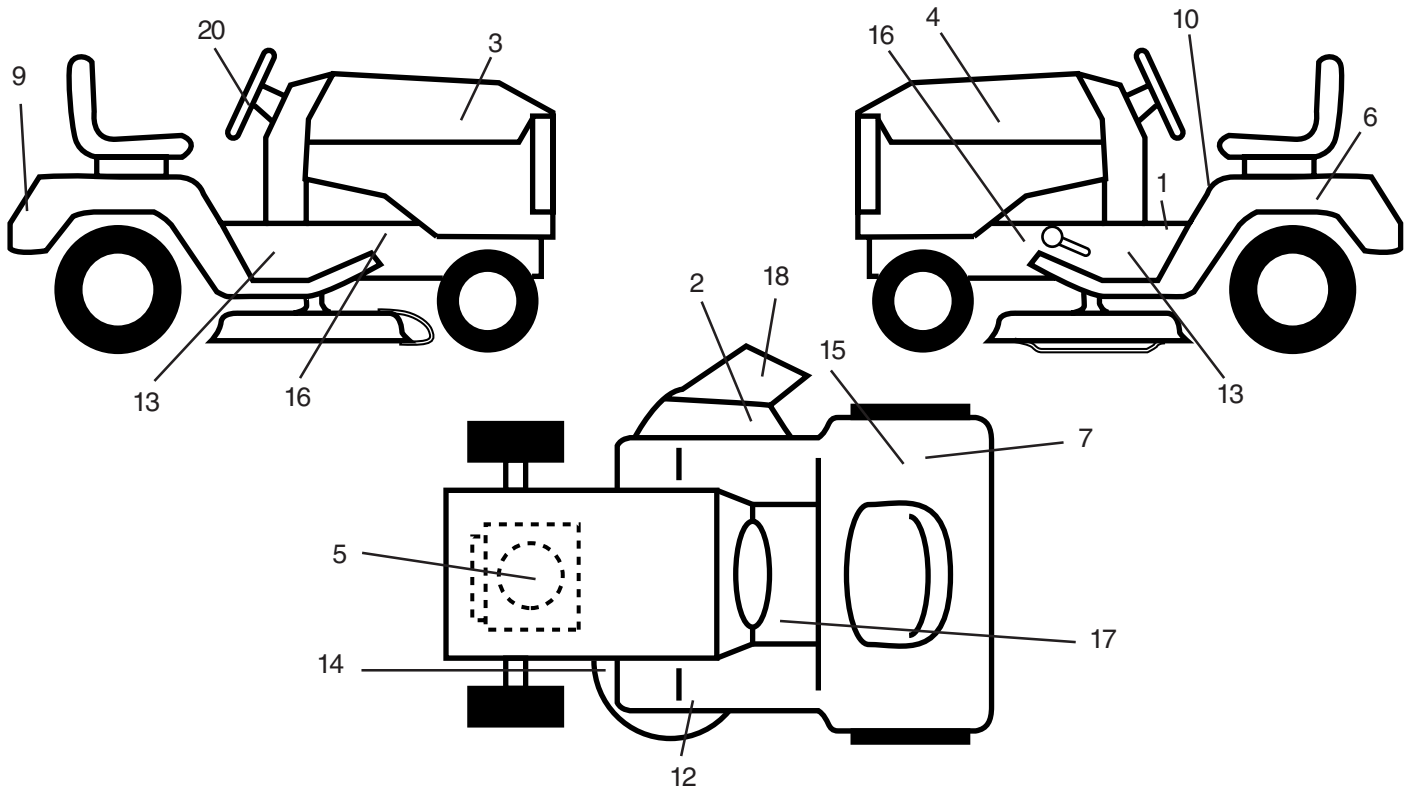


KEY NO.	PART NO.	DESCRIPTION	KEY NO.	PART NO.	DESCRIPTION
1	175389	Seat	14	72050412	Bolt Rdhd Sht Nk 1/4-20x1-1/2
2	140551	Bracket Pnt Pivot Seat (blk)	15	134300	Spacer Split 28 X 96 Zinc
3	71110616	Bolt Fin Hex 3/8-16unc X 1	16	121250X	Spring Cprsn 1 27 Blk Pnt
4	19131610	Washer 13/32 X 3/4 X 10 Ga	17	123976X	Nut Lock 1/4 Lge Flg Gr 5 Zinc
5	145006	Clip Push In Hinged	21	171852	Bolt Shoulder 5/16-18 Unc-2A
6	73800600	Nut Hex Lock w/Ins 3/8-16 Unc	22	73800500	Nut Hex Lock w/Ins 5/16-18
7	124181X	Spring Seat Cprsn 2 250 Blk Zi	23	71110814	Bolt Hex Black
8	17000616	Screw 3/8-16 X 1 Ty-tt	24	19171912	Washer 17/32 X 1-3/16 X 12 Ga
9	19131614	Washer 13/32 X 1 X 14 Ga	25	127018X	Bolt Shoulder 5/16-18 X 62
10	174894	Pan Pnt Seat (blk)	26	10040800	Washer Lock Hvy Hlcl Spr 1/2
12	121246X	Bracket Pnt Mounting Switch			
13	121248X	Bushing Snap Blk Nyl 50 Id			

NOTE: All component dimensions given in U.S. inches
1 inch = 25.4 mm

REPAIR PARTS

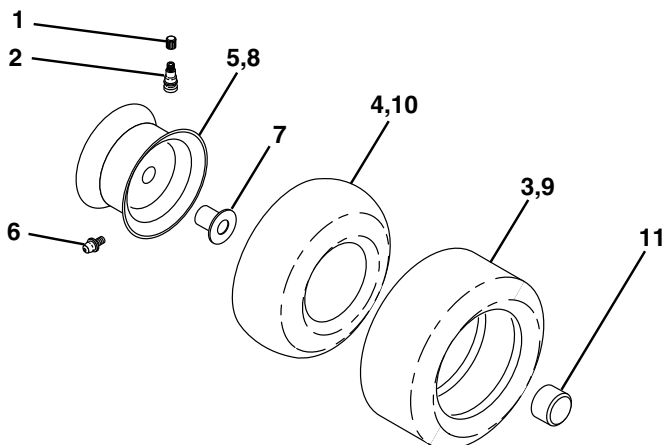
TRACTOR - - MODEL NO. BL13542SBK (BL13542SBA), PRODUCT NO. 964 78 10-00
DECALS



KEY NO.	PART NO.	DESCRIPTION
1	140837	Decal, Saddle Brake Parking
2	145494	Decal, Mower Cut Finger Symbol
3	179712	Decal, Hood Rh
4	179713	Decal, Hood Lh
5	180431	Decal, Hp Engine
6	145005	Decal, Bat Dan/Poi
7	126187X	Decal, 100 DBA
9	166708	Decal, Fender
10	145498	Decal, Read Owners Manual
12	134999	Decal, Enviro

KEY NO.	PART NO.	DESCRIPTION
13	157624	Decal, Chassis
14	160396	Decal, V-belt Schematic
15	145437	Decal, Europe Stand CE
16	159736	Decal Chassis Hot Muffler
17	159737	Decal Brake/Clutch Symbol
18	179128	Decal, Deck "B"
20	166285	Decal, Ins Strg Whl
--	138311	Decal, Lift Handle
--	162598	Decal, Drawerbar Load Limit
--	179837	Manual Oper Euro

WHEELS & TIRES

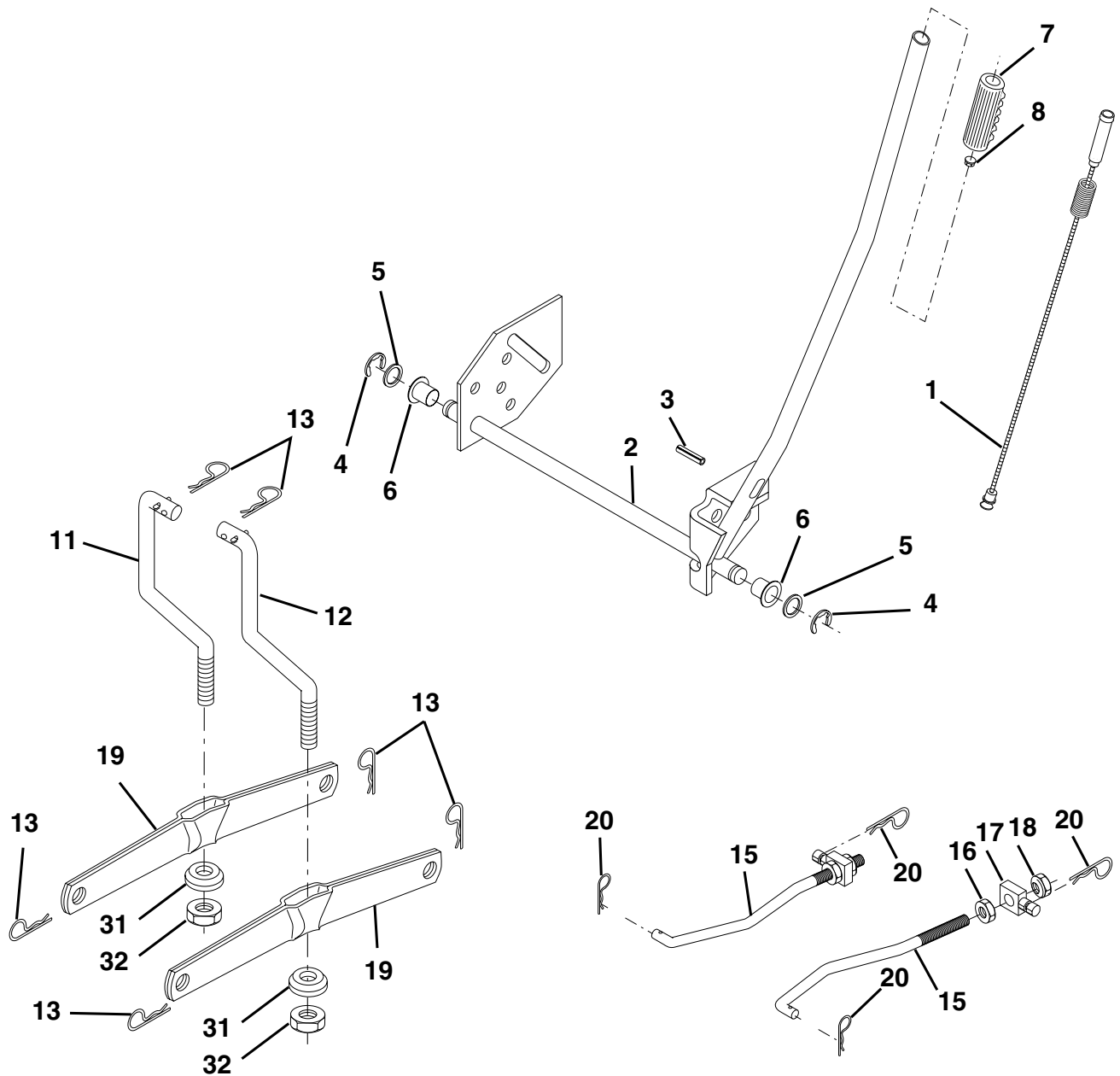


KEY NO.	PART NO.	DESCRIPTION
1	59192	Cap Value Tire
2	65139	Stem Value
3	106222X	Tire F Ts 15 X 6 0 - 6 Service
4	59904	Tube Inner Front #35060
5	106732X421	Rim Asm 6"front Service
6	278H	Fitting Grease
7	9040H	Bearing Flange
8	106108X421	Rim Asm 8"rear Service
9	124635X	Tire R Ts 18x8 5-8 Service
10	7152J	Tube Rear 9 5 X 8 Service
11	104757X428	Cap Axle Blk 1 50 X 1 00
--	144334	Sealant, Tire (10 oz. tube)

NOTE: All component dimensions given in U.S. inches
1 inch = 25.4 mm

REPAIR PARTS

TRACTOR - - MODEL NO. BL13542SBK (BL13542SBA), PRODUCT NO. 964 78 10-00
MOWER LIFT



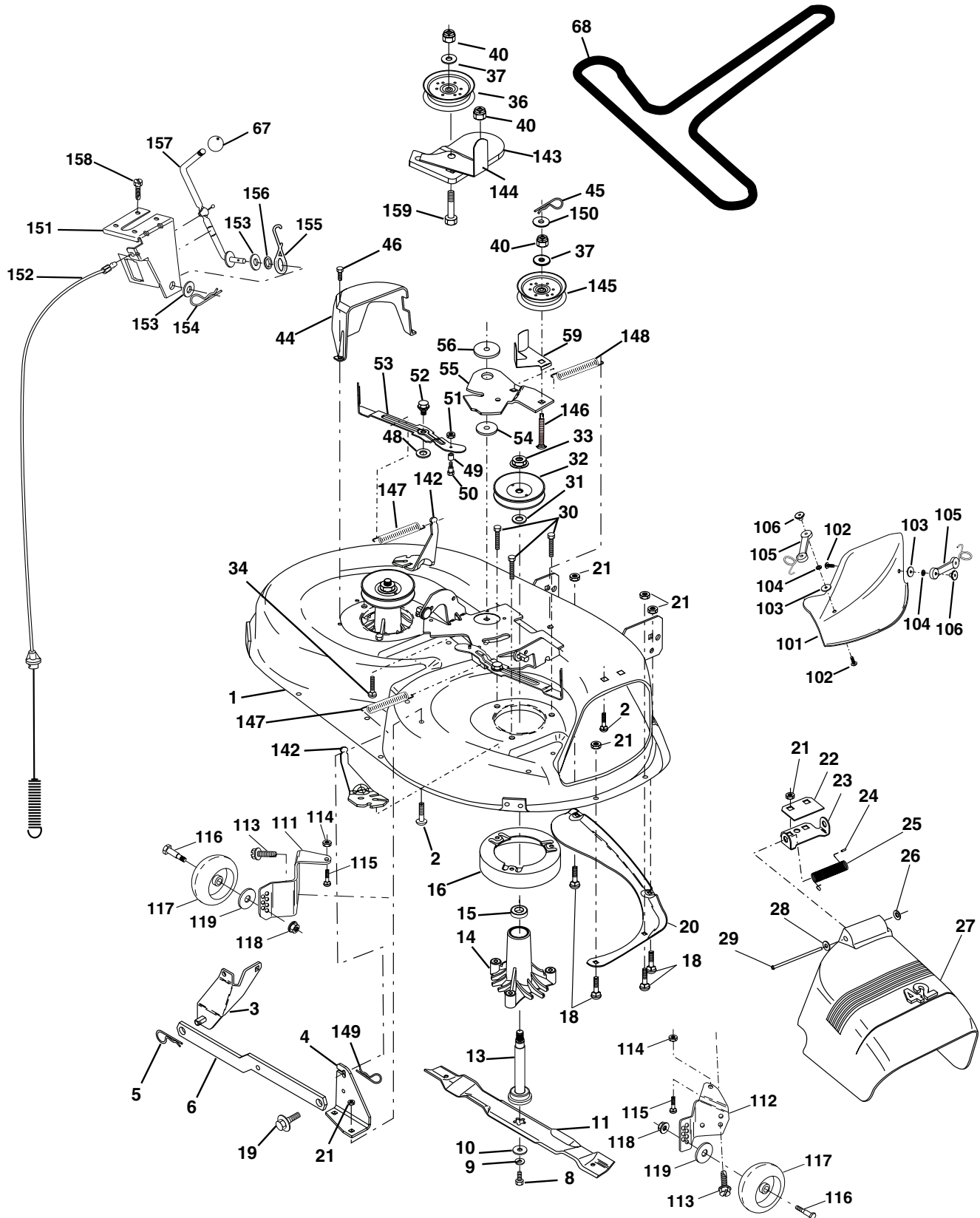
KEY NO.	PART NO.	DESCRIPTION
1	159460	Washer Asm Inner Spring W/Plunger
2	159471	Shaft Asm. Lift RH
3	105767X	Pin Groove
4	12000002	E Ring #5133-62
5	19211621	Washer 21/32 x 1 x 21 Ga.
6	120183X	Bearing Nylon
7	109413X	Grip Handle
8	124526X	Button Plunger
11	139865	Link Asm Lift L.H.
12	139866	Link Asm Lift R.H.
13	4939M	Retainer Spring

KEY NO.	PART NO.	DESCRIPTION
15	173288	Link Front
16	73350800	Nut Jam Hex 1/2-13 Unc
17	175689	Trunnion
18	73800800	Nut Lock w/Wsh 1/2-13 Unc
19	139868	Arm Suspension Mower
20	163552	Retainer Spring
31	169865	Bearing, Pvt. Lift.
32	73540600	Nut Crownlock 3/8-24

NOTE: All component dimensions given in U.S. inches
1 inch = 25.4 mm

REPAIR PARTS

TRACTOR - - MODEL NO. BL13542SBK (BL13542SBA), PRODUCT NO. 964 78 10-00
MOWER DECK



REPAIR PARTS

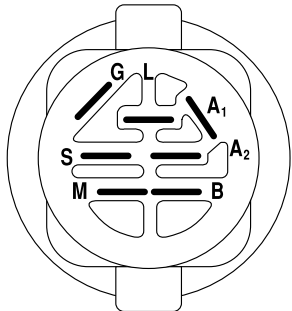
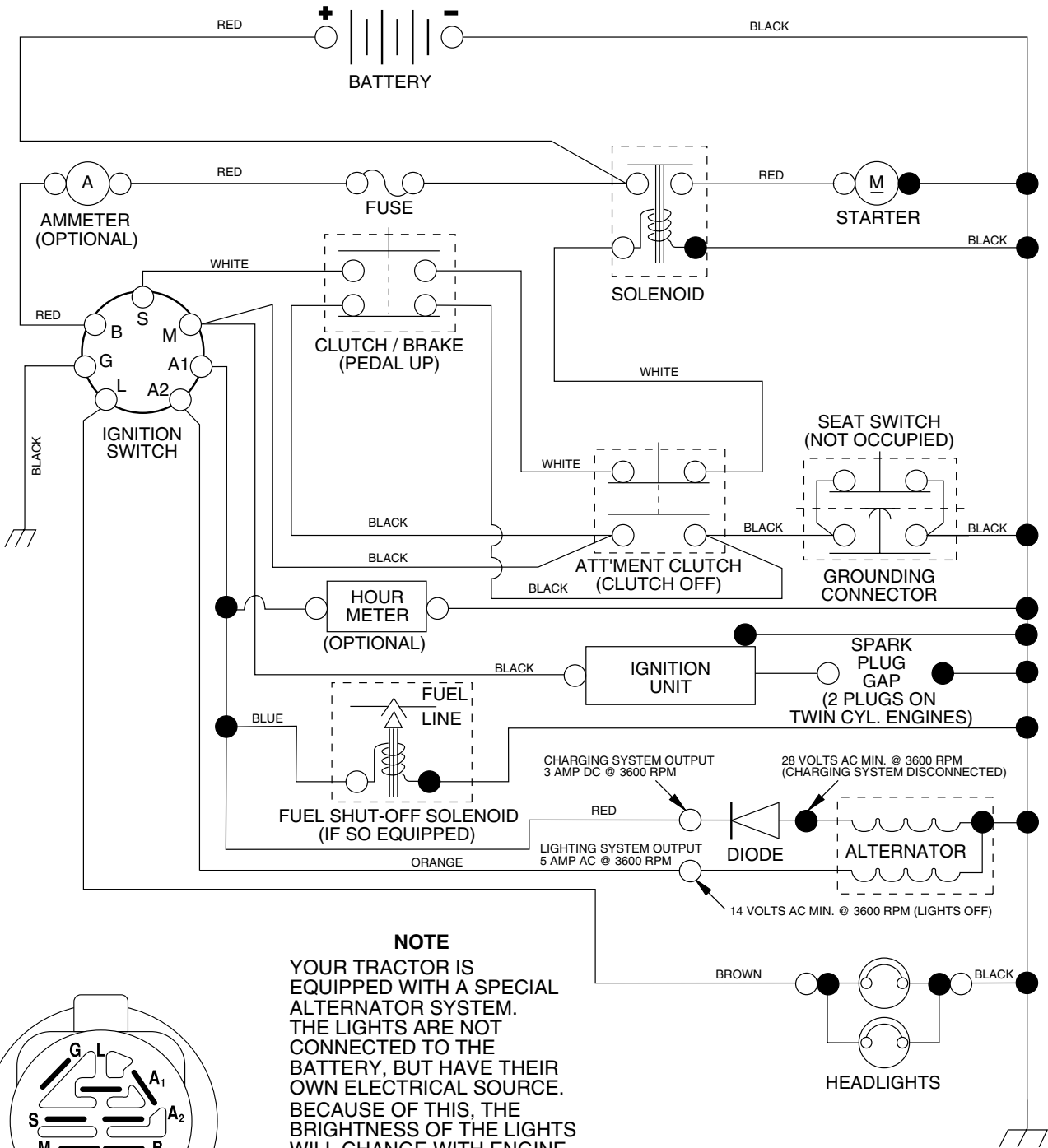
TRACTOR - - MODEL NO. BL13542SBK (BL13542SBA), PRODUCT NO. 964 78 10-00
MOWER DECK

KEY NO.	PART NO.	DESCRIPTION	KEY NO.	PART NO.	DESCRIPTION
1	165892	Mower Deck Assembly, 42"	55	155046	Arm, Idler
2	72140506	Bolt	56	165723	Spacer, Retainer
3	138017	Bracket Assembly, Sway Bar, Front	59	141043	Guard, TUV Idler
4	165460	Bracket, Sway Bar 38/42" Deck	67	106932X	Knob
5	4939M	Retainer, Spring	68	144959	V-Belt
6	178024	Bar Sway Deck	101	136420	Cover, Mulching 42" Black
8	850857	Bolt, Hex 3/8-24 x 1.25 Gr. 8	102	71081010	Screw, Pan Hd Phillip 10-24 x 5/8
9	10030600	Washer, Lock	103	19061216	Washer #10
10	140296	Washer, Hardened	104	10071000	Washer Lock #10
11	138498	Blade, Mulching	105	160793	Latch, Asm. Mulch/Bagger
- -	134149	Blade, Mulching	106	2029J	Nut, Weld .327/.304 #10-24
13	137645	Shaft Assembly, Mandrel	111	179292	Bracket, Wheel Gauge LH
14	128774	Housing, Mandrel, Vented	112	179293	Bracket, Wheel Gauge RH
15	110485X	Bearing, Ball, Mandrel	113	17060510	Screw 3/8-16 x .625
16	174493	Stripper, Mandrel Deck	114	73510500	Nut, Keps 5/16-18 Unc
18	72140505	Bolt, Carriage 5/16-18 x 5/8	115	72110505	Bolt, Carriage 5/16-18 x 5/8
19	132827	Bolt, Shoulder	116	4898H	Bolt, Shoulder "A" 2.41 "B" 1.66
20	159770	Baffle, Vortex	117	165746	Wheel, Gauge
21	73680500	Nut Crownlock 5/16-18 UNC	118	73930600	Nut, Centerlock 3/8-16 Unc
22	134753	Stiffener Bracket	119	19121414	Washer 3/8 x 7/8 x 14 Ga.
23	131267	Bracket, Deflector	142	165890	Arm, Spring Brake Mower
24	105304X	Cap, Sleeve	143	157109	Bracket, Arm Idler 42"
25	123713X	Spring, Torsion, Deflector	144	158634	Keeper, Belt 42" Clutch Cable
26	110452X	Nut, Push	145	165888	Pulley Idler Flat
27	130968x428	Shield, Deflector	146	171977	Bolt, Carriage Idler
28	19111016	Washer 11/32 x 5/8 x 16 Ga.	147	131335	Spring, Extension
29	131491	Rod, Hinge	148	169022	Spring, Return Idler
30	173984	Screw Thdrol	149	165898	Retainer, Spring Yellow Zinc
31	129963	Washer, Spacer	150	19091216	Washer 9/32 x 3/4 x 16 Ga.
32	153535	Pulley, Mandrel	151	169670	Bracket, Clutch
33	178342	Nut, Toplock, Flanged	152	169676	Cable, Clutch 42 In
34	72110614	Bolt	153	169674	Washer, Flat 3/8" Type B
36	131494	Pulley, Idler, Flat	154	169675	Spring, Retainer
37	19131316	Washer 13/32 x 13/16 x 16 Gauge	155	169671	Spring, Retention Lever
40	73680600	Nut Crownlock 3/8-16 UNC	156	169672	Spacer
44	140088	Guard, Mandrel, L.H.	157	169669	Rod, Clutch
45	4497h	Retainer	158	17720408	Screw, Hex Thd Cut 1/4-20 x 1/2
46	137729	Screw, Thd. Roll 1/4-20 x 5/8	159	72140614	Bolt, RdHd Sqn 3/8-16 Unc x 1-3/4
48	133944	Washer, Hardened	- -	130794	Mandrel Assembly (Includes Housing, Shaft and Shaft Hardware Only - Pulley Not Included)
49	174284	Roller Assembly, Cam Follower	- -	180509	Replacement Mower, Complete
50	131340	Bolt, Shoulder #10-24 Grade 5			
51	69180	Locknut			
52	139888	Bolt, Shoulder 5/16-18 UNC			
53	131845	Arm Assembly, Pad, Brake			
54	133943	Washer, Hardened			

NOTE: All component dimensions given in U.S. inches
1 inch = 25.4 mm

TRACTOR -- MODEL NO. BL13542SBK (BL13542SBA), PRODUCT NO. 964 78 10-00

SCHEMATIC



IGNITION SWITCH

POSITION	CIRCUIT	"MAKE"
OFF	M+G+A1	NONE
RUN/LIGHT	B+A1	A2+L
RUN	B+A1	NONE
START	B + S + A1	NONE

NOTE
 YOUR TRACTOR IS EQUIPPED WITH A SPECIAL ALTERNATOR SYSTEM. THE LIGHTS ARE NOT CONNECTED TO THE BATTERY, BUT HAVE THEIR OWN ELECTRICAL SOURCE. BECAUSE OF THIS, THE BRIGHTNESS OF THE LIGHTS WILL CHANGE WITH ENGINE SPEED. AT IDLE THE LIGHTS WILL DIM. AS THE ENGINE IS SPEEDED UP, THE LIGHTS WILL BECOME THEIR BRIGHTEST.

WIRING INSULATED CLIPS

NOTE: IF WIRING INSULATED CLIPS WERE REMOVED FOR SERVICING OF UNIT, THEY SHOULD BE REPLACED TO PROPERLY SECURE YOUR WIRING.

