

ILLUSTRATED PARTS BREAKDOWN

BERNARD

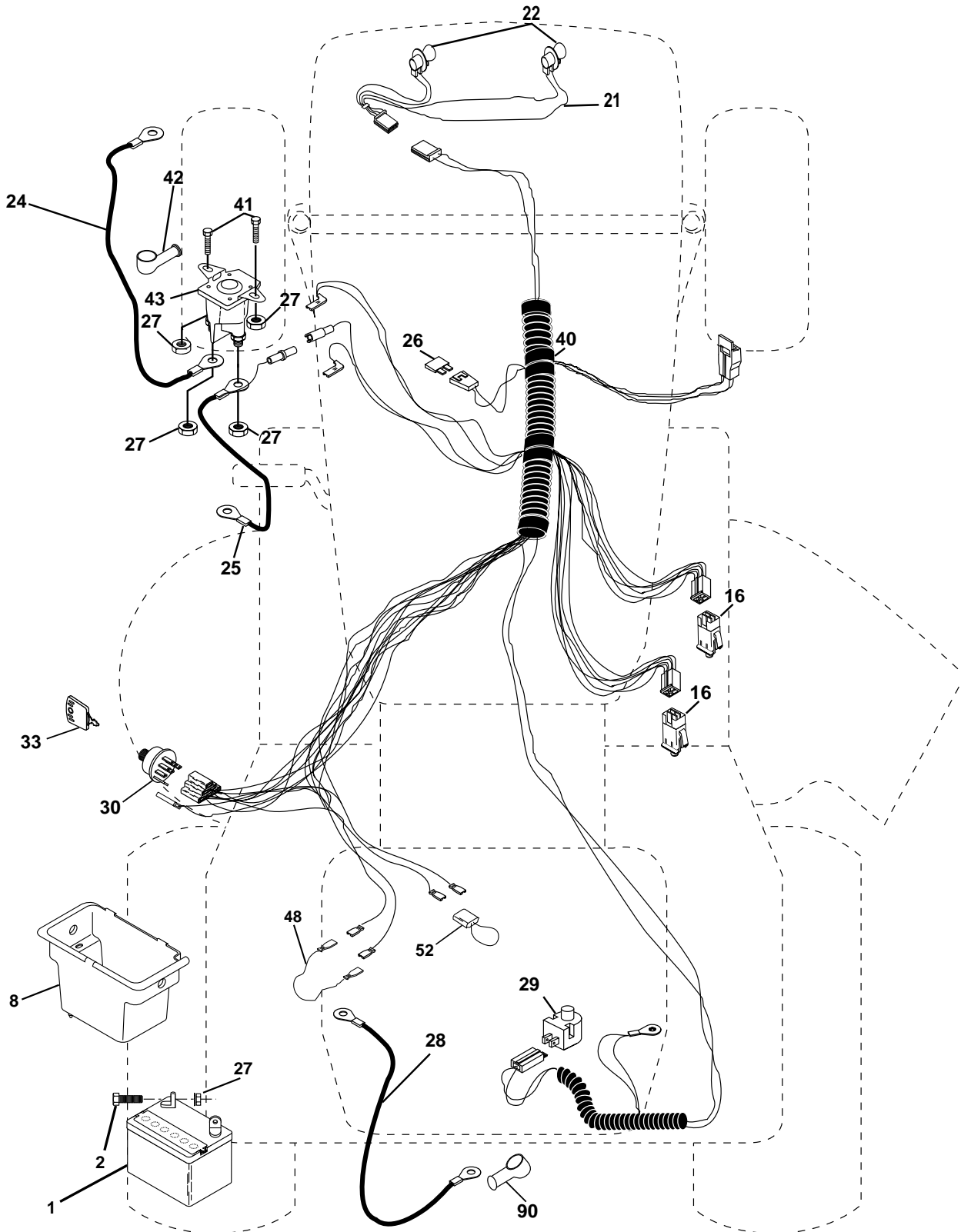
15.5 HP LAWN TRACTOR

MODEL NO. BL15542SBK (BL15542SBA)

964 77 15-00

REPAIR PARTS

TRACTOR - MODEL NO. BL15542SBK (BL15542SBA), PRODUCT NO. 964 77 15-00
ELECTRICAL



REPAIR PARTS

TRACTOR - MODEL NO. BL15542SBK (BL15542SBA), PRODUCT NO. 964 77 15-00

ELECTRICAL

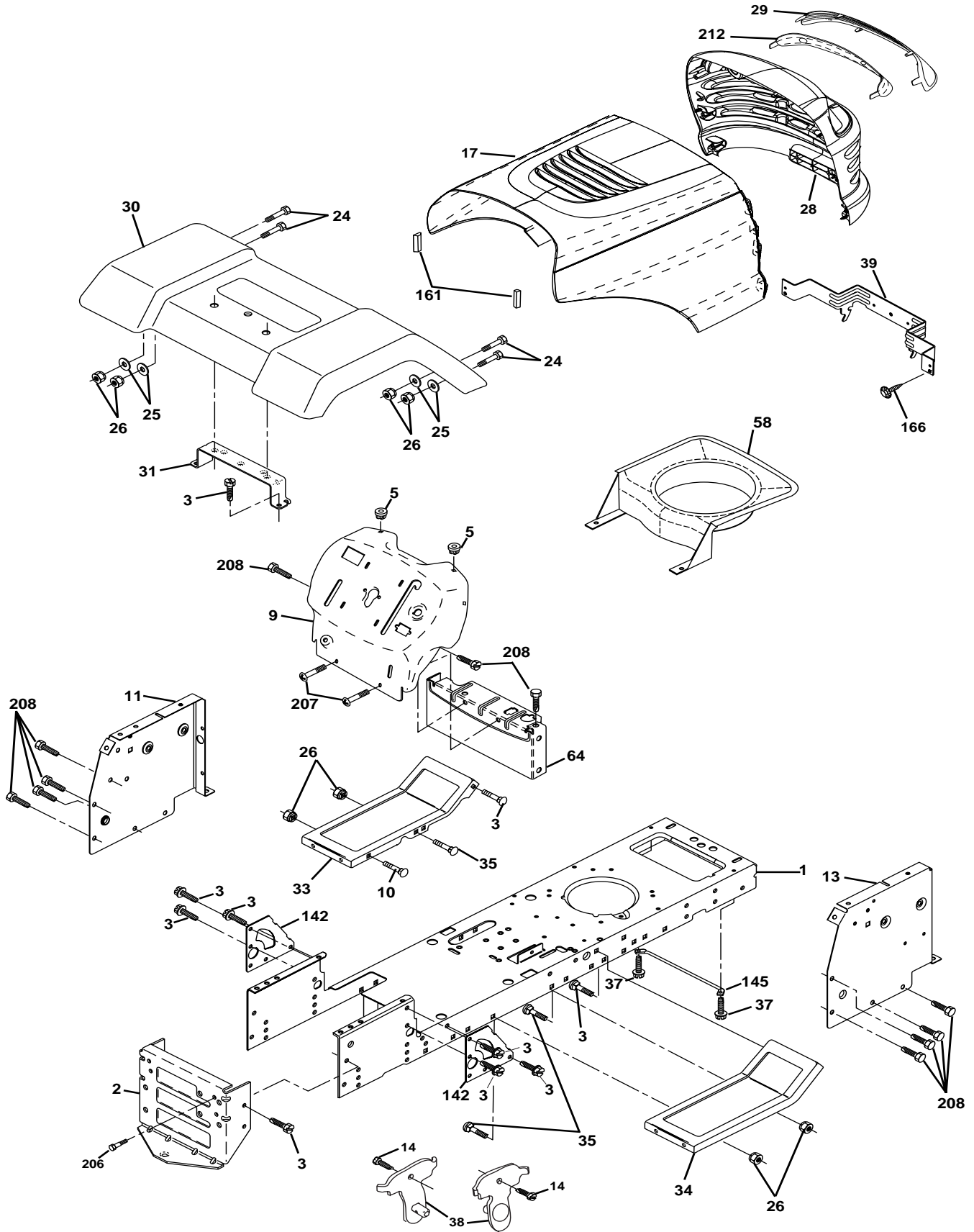
KEY NO.	PART NO.	DESCRIPTION
1	532 16 34-65	Battery 12 Volt 28 AMP
2	874 76 04-12	Bolt Hex Hd 1/4-20unc X 3/4
8	532 17 66-89	Box Battery Fender
16	532 17 61-38	Switch Interlock Push-In
21	532 17 56-88	Harness Asm Light W/4152j
22	532 00 41-52	Bulb Light #1156
24	532 12 47-80	Cable Battery 6 Ga 11" red
25	532 14 61-47	Cable Battery 6 Ga 44" red w/16 wire
26	532 17 51-58	Fuse 20 AMP
27	873 51 04-00	Nut Keps Hex 1/4-20 Unc
28	532 12 47-73	Cable Ground 6 Ga 12" black
29	532 12 13-05	Switch Plunger Nc Gray
30	532 17 55-66	Switch Ign
33	532 14 04-01	Key Ign
40	532 17 97-20	Harness Ign.
41	871 11 04-08	Bolt Blk Fin Hex 1/4 - 20 x 1/2
42	532 13 15-63	Cover Terminal Red
43	532 17 88-61	Solenoid
48	532 14 08-44	Adapter Ammeter
52	532 14 19-40	Protection Wire Loop
90	532 18 04-49	Cover Terminal Battery

NOTE: All component dimensions given in U.S. inches.
1 inch = 25.4 mm.

REPAIR PARTS

TRACTOR - MODEL NO. BL15542SBK (BL15542SBA), PRODUCT NO. 964 77 15-00

CHASSIS AND ENCLOSURES



REPAIR PARTS

TRACTOR - MODEL NO. BL15542SBK (BL15542SBA), PRODUCT NO. 964 77 15-00 CHASSIS AND ENCLOSURES

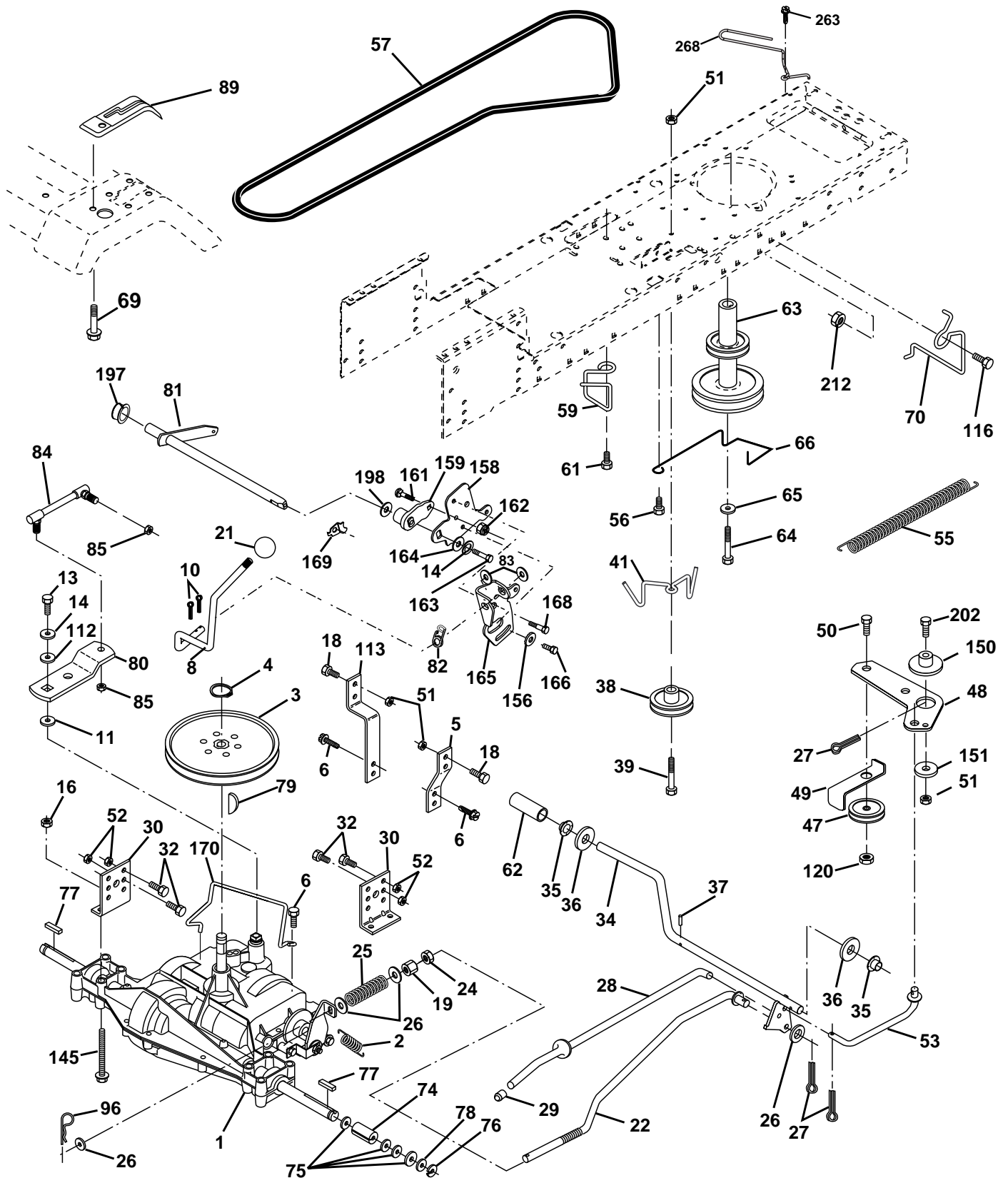
KEY NO.	PART NO.	DESCRIPTION
1	532 17 46-19	Chassis Weldment
2	532 17 65-54	Drawbar
3	817 06 06-12	Screw 3/8-16 x .75 SMGML
5	532 15 52-72	Bumper Hood/Dash
9	532 17 21-51	Dash P/L
10	872 14 06-08	Bolt Carriage 3/8-16 x 1
11	532 17 49-96	Panel Dash Lh
13	532 18 17-19	Panel Dash Rh
14	817 49 06-08	Screw Thdrol 3/8-16 x 1/2
17	532 18 29-07	Hood Laser LT
24	874 78 06-16	Bolt Fin Hex 3/8-16 UNC x 1 Gr5
25	819 13 13-12	Washer 13/32 X 13/16 X 12 Ga
26	873 80 06-00	Nut Lock Hex W/Ins 3/8-16 Unc
28	532 17 97-49	Grill/Lens Asm.
29	532 18 27-18	Lens Grille Laser
30	532 17 30-26	Fender
31	532 13 66-19	Bracket Support Fender
33	532 18 10-57	Footrest LH
34	532 18 10-58	Footrest RH
35	872 11 06-06	Bolt RDHD 3/8-16 x 3/4
37	817 49 05-08	Screw Thdrol 6/16-18 x 1/2 TYT
38	532 17 57-10	Bracket, Asm. Pivot
39	532 17 47-14	Bracket Pivot Laser
58	532 15 01-27	Duct Air Engine
64	532 15 47-98	Dash Lower STLT
142	532 17 57-02	Plate Reinforcement STLT
145	532 15 65-24	Rod Pivot Chassis/Hood
161	532 16 46-55	Bumper Hood
166	532 16 48-63	Screw HWHD Li-Lo #13-16 x 3/4
206	532 17 01-65	Bolt Shoulder 5/16-18
207	817 67 05-08	Screw Thdrol 5/16-18 x 1/2
208	817 67 06-08	Screw Thdrol 3/8-16 x 1/2
212	532 17 51-43	Insert Lens Reflective

NOTE: All component dimensions given in U.S. inches
1 inch = 25.4 mm

REPAIR PARTS

TRACTOR - MODEL NO. BL15542SBK (BL15542SBA), PRODUCT NO. 964 77 15-00

DRIVE



REPAIR PARTS

TRACTOR - MODEL NO. BL15542SBK (BL15542SBA), PRODUCT NO. 964 77 15-00

DRIVE

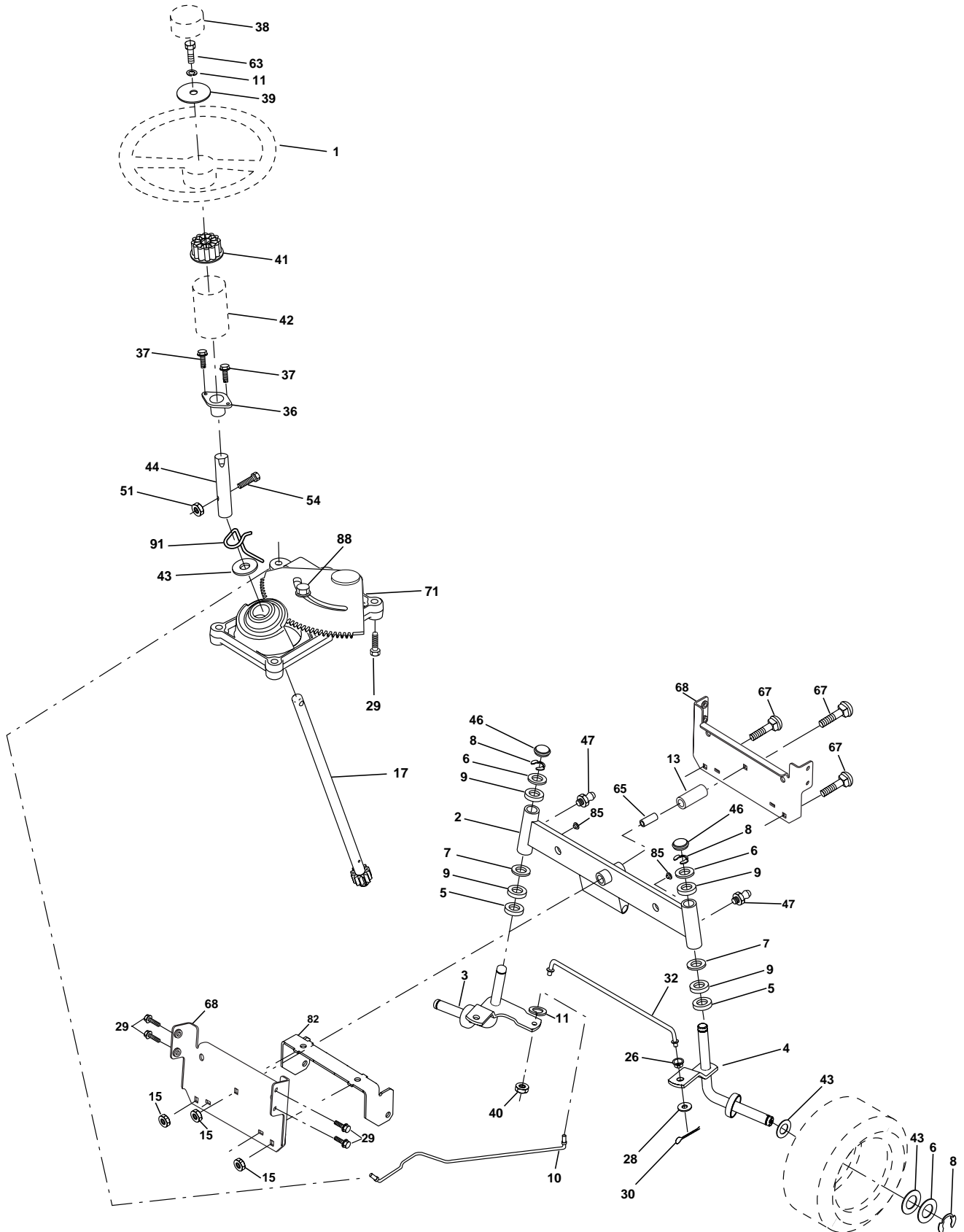
KEY NO.	PART NO.	DESCRIPTION	KEY NO.	PART NO.	DESCRIPTION
1	-----	Transaxle Peerless 206-545C Order parts from transaxle manufacturer	64	871 17 07-64	Bolt Hex
2	532 14 66-82	Spring Return Brake T/a Zinc	65	810 04 07-00	Washer Lock Hvy Hlcl Spr 7/16
3	532 12 36-66	Pulley Transaxle 18" tires	66	532 15 47-78	Keeper Belt Engine Foolproof
4	812 00 00-28	Ring Retainer#5100-62	69	532 14 24-32	Screw Hex 1/4-1/2 UNC
5	532 12 15-20	Strap Torque 30 Degrees	70	532 18 02-18	Guide Belt Mower Drive RH
6	817 06 05-12	Screw Thdrol 5/16-18	74	532 13 70-57	Spacer Axle
8	532 16 56-19	Rod Shift Fender Adjust Lt	75	532 12 17-49	Washer 25/32 X 1 1/4 X 16 Ga
10	876 02 04-16	Pin Cotter 1/8 X 1 Cad	76	812 00 00-01	E-ring#5133-75
11	532 10 57-01	Washer Plate Shf 388 Sq Hole	77	532 12 35-83	Key Square 2 0 X 1845/ 1865
13	874 55 04-12	Bolt 1/4-28 Unf Gr 8 W/Patch	78	532 12 17-48	Washer 25/32 X 1-5/8 X 16 Ga
14	810 04 04-00	Washer Lock Hvy Helical	79	532 12 50-96	Key Woodruff #9 3/16 x 3/4
16	873 80 05-00	Nut Lock Hex w/lns 5/16-18	80	532 13 14-86	Arm Shift
18	874 78 06-16	Bolt, Fin Hex 3/8-16 UNC x 1 Gr. 5	81	532 16 55-94	Shaft Asm Cross 18"t
19	873 80 06-00	Nut Lock 3/8-16 Unc	82	532 12 37-82	Spring Torsion T/a
21	532 10 69-33	Knob	83	819 17 12-16	Washer 17/32 X 3/4 X 16 Ga
22	532 13 08-04	Rod Brake Blk Zinc 26 840	84	532 16 62-28	Link Transaxle
24	873 35 06-00	Nut Hex Jam 3/8-16 Unc	85	532 15 03-60	Nut Lock Center 1/4 - 28 FNTHD
25	532 10 68-88	Spring Rod Brake 2 00 Zinc	89	532 18 30-43	Console Shift STLT
26	819 13 13-16	Washer 13/32 X 13/16 X 16 Ga	96	532 12 47-88	Retainer Spring 1"
27	876 02 04-12	Pin Cotter 1/8 X 3/4 Cad	112	819 09 12-10	Washer 9/32 x 3/4 x 10 Ga.
28	532 17 57-65	Rod Brake Parking LT/YT	113	532 12 72-85	Strap Torque LT
29	532 07 16-73	Cap Brake Parking Black	116	872 14 06-08	Bolt Rdhd Sq Neck 3/8-16 x 1.0
30	532 17 49-73	Bracket Mtg Transaxle	120	873 90 06-00	Nut Lock Flg. 3/8-16 Unc
32	874 76 05-12	Bolt Hex Hd 5/16-18unc X 3/4	145	874 49 05-40	Bolt Hex 5/16-18 Gr. 5
34	532 17 55-78	Shaft Asm Pedal Foot	150	532 17 54-56	Spacer
35	532 12 01-83	Bearing Nylon Blk 629 Id	151	819 13 32-10	Washer 13/32 x 2 x 10 Ga.
36	819 21 16-16	Washer 21/32 X 1 X 16 Ga	156	532 16 60-02	Washer Srrted 5/16ID x 1.125
37	532 12 49-63	Pin Roll 3/16 X 1"	158	532 16 55-89	Bracket Shift Mount
38	532 17 91-14	Pulley Idler Composite	159	532 16 54-94	Hub Tapered Flange Shift Lt
39	874 76 06-48	Bolt Fin Hex 3/8-16 Unc x 3	161	872 14 04-06	Bolt Rdhd Sqnc 1/4-20 x 3/4 Gr 5
41	532 17 55-56	Keeper Belt Idler Flat	162	873 68 04-00	Nut Crownlock 1/4-20 Unc
47	532 12 77-83	Pulley Idler V Groove Plastic	163	874 78 04-16	Bolt Hex Fin 1/4-20 Unc x 1 Gr 5
48	532 15 44-07	Bellcrank Clutch Grnd Driv	164	819 09 10-10	Washer 5/8 x .281 x 10 Ga
49	532 12 32-05	Retainer Belt Style Spring	165	532 16 56-23	Bracket Pivot Lever
50	872 11 06-12	Bolt Carr Sh 3/8-16 X 1-1/2 Gr. 5	166	532 16 68-80	Screw 5/16-18 x 5/8
51	873 68 06-00	Nut Crownlock 3/8-16 Unc	168	532 16 54-92	Bolt Shoulder 5/16-18 x .561
52	873 68 05-00	Nut Crownlock 5/16-18 Unc	169	532 16 55-80	Plate Fastening Lt
53	532 10 57-10	Link Clutch	170	532 17 83-94	Keeper, Belt T/A D/P
55	532 10 57-09	Spring Return Clutch 6 75	197	532 16 96-13	Nyliner Snap-In
56	817 06 06-20	Screw 3/8-16 x 3/4	198	532 16 95-93	Washer Nyl 7/8 ID x 105"
57	532 13 08-01	V-Belt Ground Drive 95 25	202	872 11 06-14	Bolt Carr. SH 3/8-16 x 1-3/4 Gr. 5
59	532 16 96-91	Keeper Belt Span Ctr	212	532 14 52-12	Nut, Hex Flange Lock
61	817 12 06-14	Screw 3/8-16 x .875	263	817 00 06-12	Screw Hex Wsh Thdr. 3/8-16 x 3/4
62	532 12 48-72	Cover Pedal Round	268	532 18 24-02	Guard Muffler OHV B&S RH
63	532 18 02-19	Engine Pulley			

NOTE: All component dimensions given in U.S. inches
1 inch = 25.4 mm

REPAIR PARTS

TRACTOR - MODEL NO. BL15542SBK (BL15542SBA), PRODUCT NO. 964 77 15-00

STEERING ASSEMBLY



REPAIR PARTS

TRACTOR - MODEL NO. BL15542SBK (BL15542SBA), PRODUCT NO. 964 77 15-00

STEERING ASSEMBLY

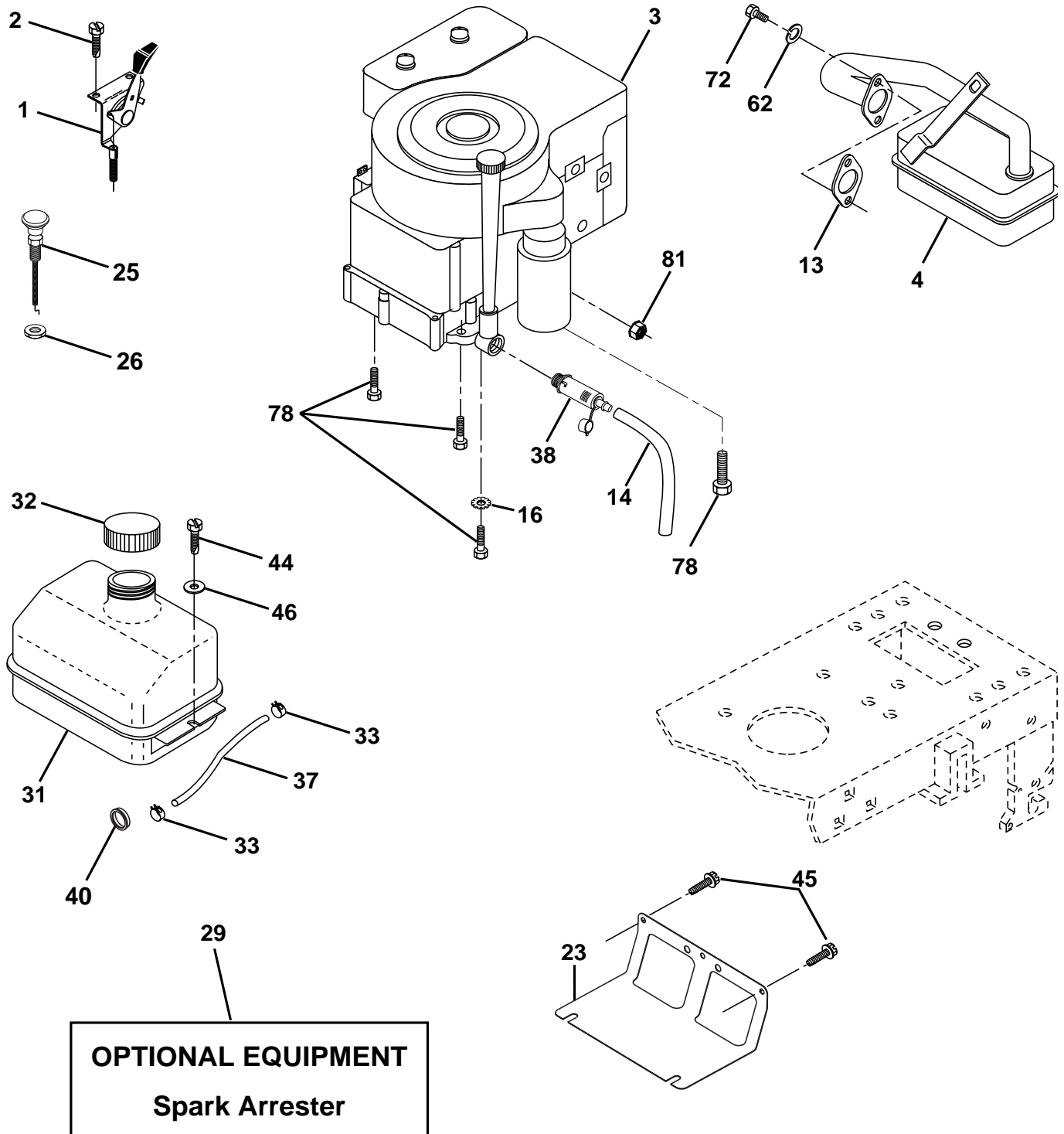
KEY NO.	PART NO.	DESCRIPTION
1	532 13 97-68	Wheel Steering
2	532 17 51-31	Axle Asm
3	532 16 98-40	Spindle Asm LH
4	532 16 98-39	Spindle Asm RH
5	532 12 49-31	Bearing Race Thrust Harden
6	532 12 17-48	Washer 25/32 X 1-5/8 X 16 Ga
7	819 27 20-16	Washer 27/32 X 1-1/4 X 16 Ga
8	812 00 00-29	Ring Klip #t5304-75
9	532 12 49-37	Bearing Col Strg Blk
10	532 17 51-21	Link Drag
11	810 04 06-00	Washer Lock Hvy Hlcl Spr 3/8
13	532 13 65-18	Bearing Axle STL/GT
15	532 14 52-12	Nut Hexflange Lock
17	532 17 78-76	Shaft Asm Strg
26	532 12 68-47	Bushing Link Drag Blk LR
28	819 13 14-16	Washer 13/32 X 7/8 X 16 Ga
29	817 06 06-12	Screw 3/8-16x3/4 SMGML
30	876 02 04-12	Pin Cotter 1/8 X 3/4 Cad
32	532 13 04-65	Rod Tie Wire Form 19 75 Mech
36	532 15 50-99	Bushing Strg
37	532 15 29-27	Screw
38	532 14 01-75	Insert Cap Strg Wh
39	819 13 38-12	Washer 13/32 X 2-3/8 X 12 Ga.
40	532 12 47-01	Lock nut
41	532 10 07-11	Adaptor Wheel Strg
42	532 16 96-33	Boot Steering Shaft
43	532 12 17-49	Washer 25/32 X 1 1/4 X 16 Ga
44	532 15 37-20	Extension Steering Shaft
46	532 12 12-32	Cap Spindle Fr Top Blk
47	532 18 32-26	Fitting Grease
51	873 80 05-00	Nut Lock Hx w/Ins 5/16-18 UNC PL
54	874 78 05-20	Bolt Hex Fin 5/16-18 Unc x 1-1/4
63	874 78 06-16	Bolt Fin Hex 3/8-16 UNC x 1 Gr. 5
65	532 16 03-67	Spacer Axle
67	872 14 06-18	Bolt RDHD SQNK 3/8-16 x 2-1/4
68	532 16 98-27	Axle, Brace
71	532 17 51-46	Steering Asm.
82	532 16 98-35	Bracket Susp Chassis Front
85	532 13 38-35	Fastner Christmas Tree
88	532 17 51-18	Bolt Shoulder 7/16-20 Unc
91	532 17 55-53	Clip Steering

NOTE: All component dimensions given in U.S. inches.
1 inch = 25.4 mm.

REPAIR PARTS

TRACTOR - MODEL NO. BL15542SBK (BL15542SBA), PRODUCT NO. 964 77 15-00

ENGINE



OPTIONAL EQUIPMENT
Spark Arrester

REPAIR PARTS

TRACTOR - MODEL NO. BL15542SBK (BL15542SBA), PRODUCT NO. 964 77 15-00

ENGINE

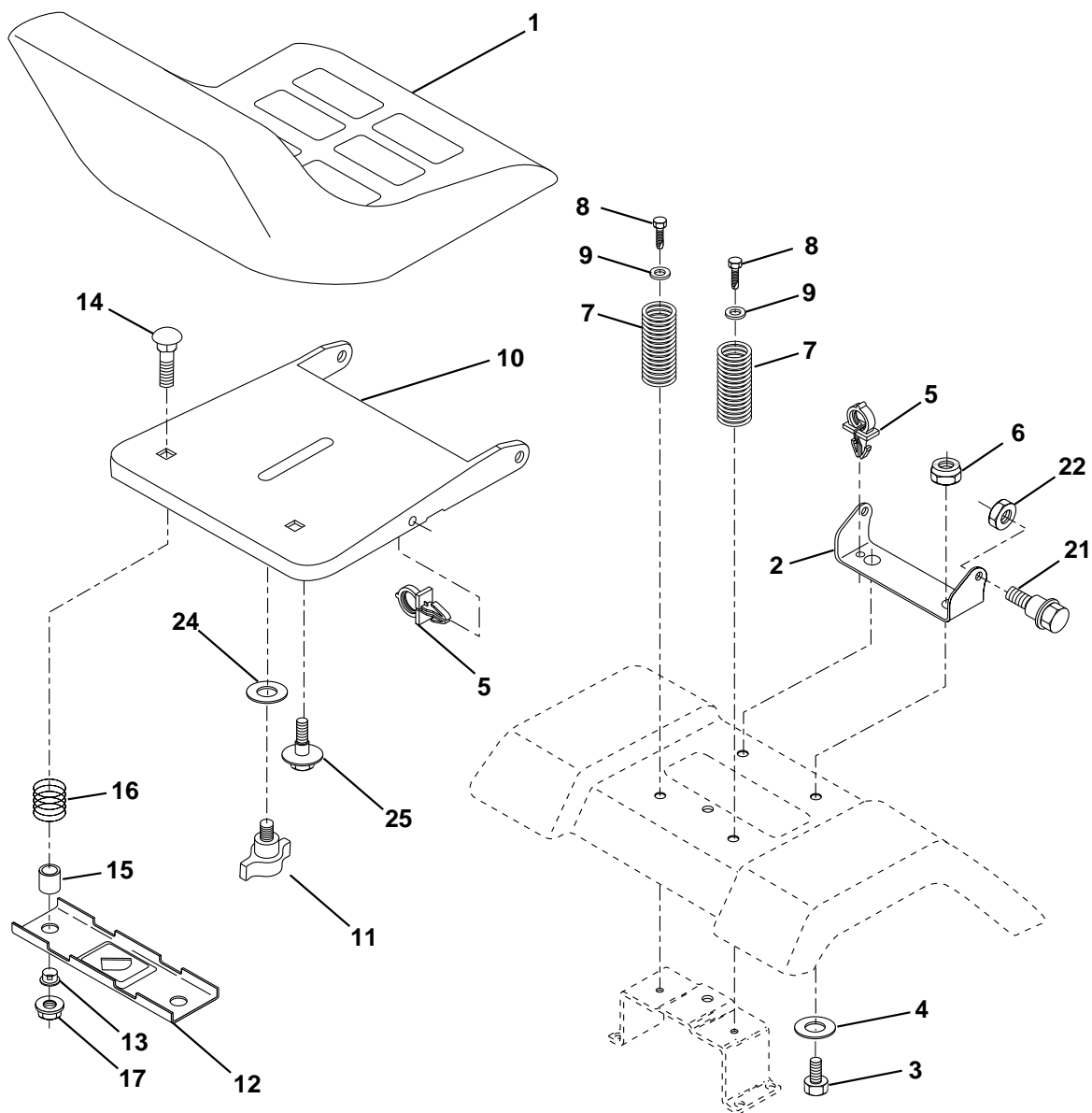
KEY NO.	PART NO.	DESCRIPTION
1	532 17 05-51	Control Th/ch LH Flag
2	817 72 04-08	Screw Hex Thd Cut 1/4-20 x 1/2
3	-----	Engine B&S Model No. 31G777 (Order parts from engine manufacturer)
4	532 13 73-52	Muffler
13	532 16 52-91	Gasket
14	532 14 84-56	Tube Drain Oil Easy
16	811 05 06-00	Washer Lock Ext Tooth 3/8
23	532 16 98-37	Shield Brn/Dbr Guard
25	532 18 09-45	Control Choke
26	873 92 06-00	Nut Keps 3/8-24
29	532 13 71-80	Kit Spark Arrestor (Flat Scrn)
31	532 10 92-02	Tank Fuel Front
32	532 14 05-27	Cap Asm Fuel W/sym Vented
33	532 12 34-87	Clamp Hose Black
37	532 13 70-40	Line Fuel 20"
38	532 14 83-15	Plug Drain Oil Easy
40	532 12 40-28	Bushing Snap Nyl Blk Fuel Line
44	817 67 04-12	Screw Hexwsh Thdrol 1/4-20x3/4
45	817 00 06-12	Screw 3/8-16 x 3/4
46	819 09 14-16	Washer 9/32 X 7/8 X 16 Ga
62	810 04 05-00	Washer Lock Hvy Hlcl Spr 5/16
72	871 07 05-12	Screw Hexhd Cap 5/16-18 x 3/4
78	817 06 06-20	Screw 3/8-16 x 1-1/4 SMGML
81	873 51 04-00	Nut Keps Hex 1/4-20

NOTE: All component dimensions given in U.S. inches
1 inch = 25.4 mm

REPAIR PARTS

TRACTOR - MODEL NO. BL15542SBK (BL15542SBA), PRODUCT NO. 964 77 15-00

SEAT ASSEMBLY



KEY NO.	PART NO.	DESCRIPTION
1	532 17 53-09	Seat
2	532 14 05-51	Bracket Pivot Seat 8 720
3	871 11 06-16	Bolt Fin Hex 3/8-16 Unc x 1
4	819 13 16-10	Washer 13/32 X 1 X 10 Ga
5	532 14 50-06	Clip Push-In
6	873 80 06-00	Nut Hex w/Ins. 3/8-16 Unc
7	532 12 41-81	Spring Seat Cprsn 2 250 Blk Zi
8	817 00 06-16	Screw 3/8-16 x 1.5 SMGML
9	819 13 16-14	Washer 13/32 X 1 X 14 Ga.
10	532 18 24-93	Pan Seat
11	532 16 63-69	Knob Seat
12	532 12 12-46	Bracket Mounting Switch

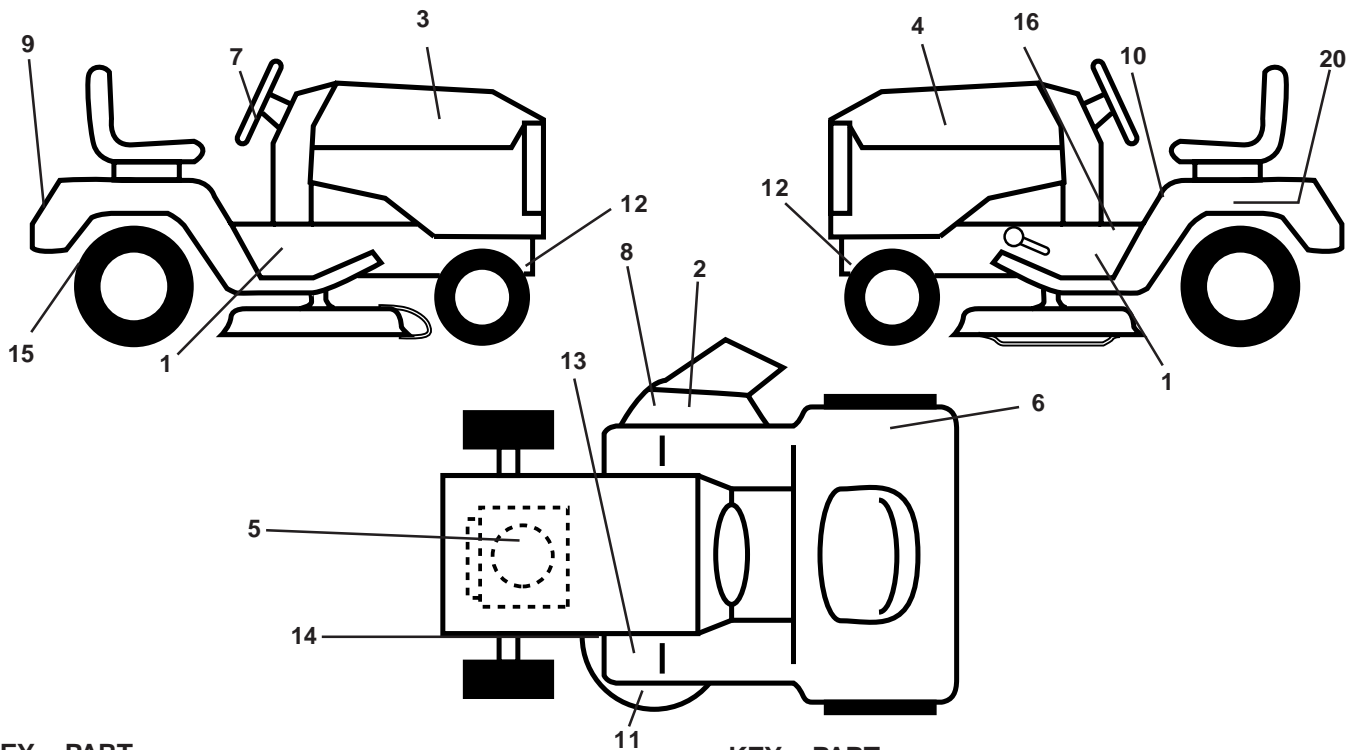
KEY NO.	PART NO.	DESCRIPTION
13	532 12 12-48	Bushing Snap Blk Nyl 50 Id
14	872 05 04-12	Bolt Rdhd Sqnk 1/4-20x1-1/2
15	532 12 12-49	Spacer Split 28 x .88 Zinc
16	532 12 37-40	Spring Cprsn 1.310 Ga
17	532 12 39-76	Nut Lock 1/4 Lge Flg Gr 5 Zinc
21	532 17 18-52	Bolt SHLD 5/16-18 Unc-2A
22	873 80 05-00	Nut Hex Lock W/Ins 5/16-18
24	819 17 19-12	Washer 17/32 X 1-3/16 X 12 Ga.
25	532 12 70-18	Bolt Shoulder 5/16-18 X 62

NOTE: All component dimensions given in U.S. inches.
1 inch = 25.4 mm

REPAIR PARTS

TRACTOR - MODEL NO. BL15542SBK (BL15542SBA), PRODUCT NO. 964 77 15-00

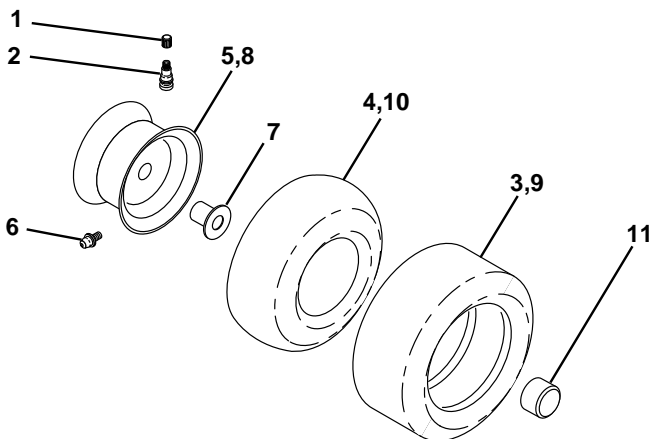
DECALS



KEY NO.	PART NO.	DESCRIPTION
1	532 1576-24	Decal Chassis 42 6 Sp
2	532 1791-28	Decal Deck
3	532 1797-10	Decal Hood RH
4	532 1797-11	Decal Hood LH
5	532 1804-34	Decal HP Engine
6	532 1804-32	Decal Europe Stand 100 DB/CE
7	532 1662-85	Decal, Ins. Strg Whl.
8	532 1821-66	Decal Mower Cutfinger
9	532 1667-08	Decal Fender Bernard
10	532 1454-98	Decal Read Owner's Manual Syms.
11	532 1349-99	Decal Deck

KEY NO.	PART NO.	DESCRIPTION
12	532 1597-36	Decal Chassis Hot Muffler
13	532 1597-37	Decal Brake/Clutch Symbol LT
14	532 1603-96	Decal V-Belt Schematic
15	532 1625-98	Decal Drawbar Load Limit
16	532 1408-37	Decal Saddle Brake Parking
20	532 1450-05	Decal Bat Dan/Psn
--	532 1810-91	Pad Footrest LH STLT
--	532 1810-90	Pad Footrest RH STLT
--	532 1383-11	Decal Handle Lift Height Adjust
--	532 1062-02	Reflector Tail Lights
--	532 1798-53	Manual Operator's (Euro.)

WHEELS & TIRES



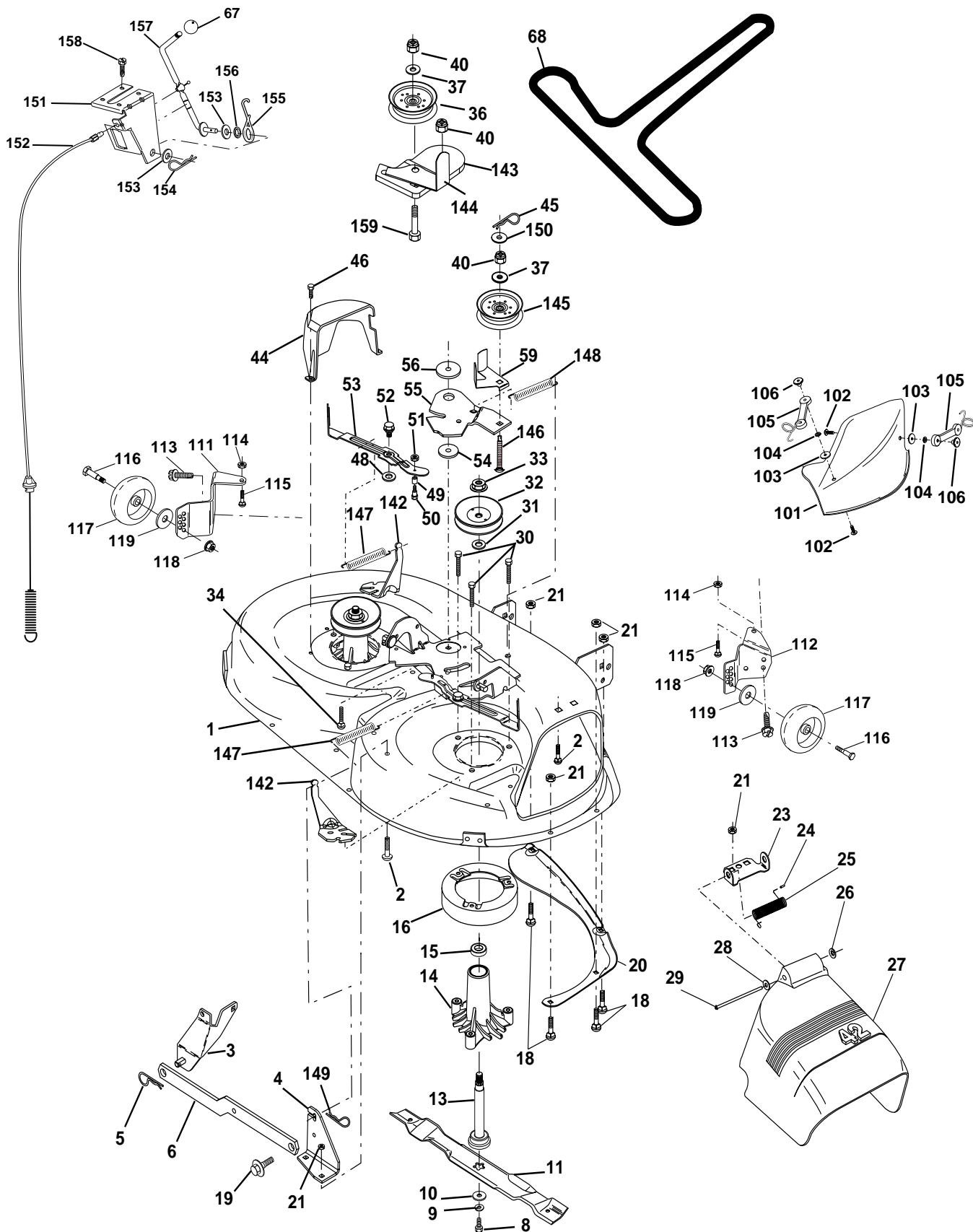
KEY NO.	PART NO.	DESCRIPTION
1	532 0591-92	Cap Valve Tire
2	532 0651-39	Stem Valve
3	532 1062-22	Tire F Ts 15 X 6 0 - 6 Service
4	532 0599-04	Tube Front (Service Item Only)
5	532 1251-21	Rim Asm 6"front Yellow Service
6	532 1249-57	Fitting Grease (Front Wheel Only)
7	532 1249-59	Bearing Flange (Front Wheel Only)
8	532 1251-22	Rim Asm 8"rear Yellow Service
9	532 1062-68	Tire R Ts 18x9 5-8 C Service
10	532 1249-26	Tube Rear (Service Item Only)
11	532 1750-39	Cap Axle Blk 1 50 X 1 00
--	532 1443-34	Sealant, Tire (10 oz. Tube)

NOTE: All component dimensions given in U.S. inches
1 inch = 25.4 mm

REPAIR PARTS

TRACTOR - MODEL NO. BL15542SBK (BL15542SBA), PRODUCT NO. 964 77 15-00

MOWER DECK



REPAIR PARTS

TRACTOR - MODEL NO. BL15542SBK (BL15542SBA), PRODUCT NO. 964 77 15-00

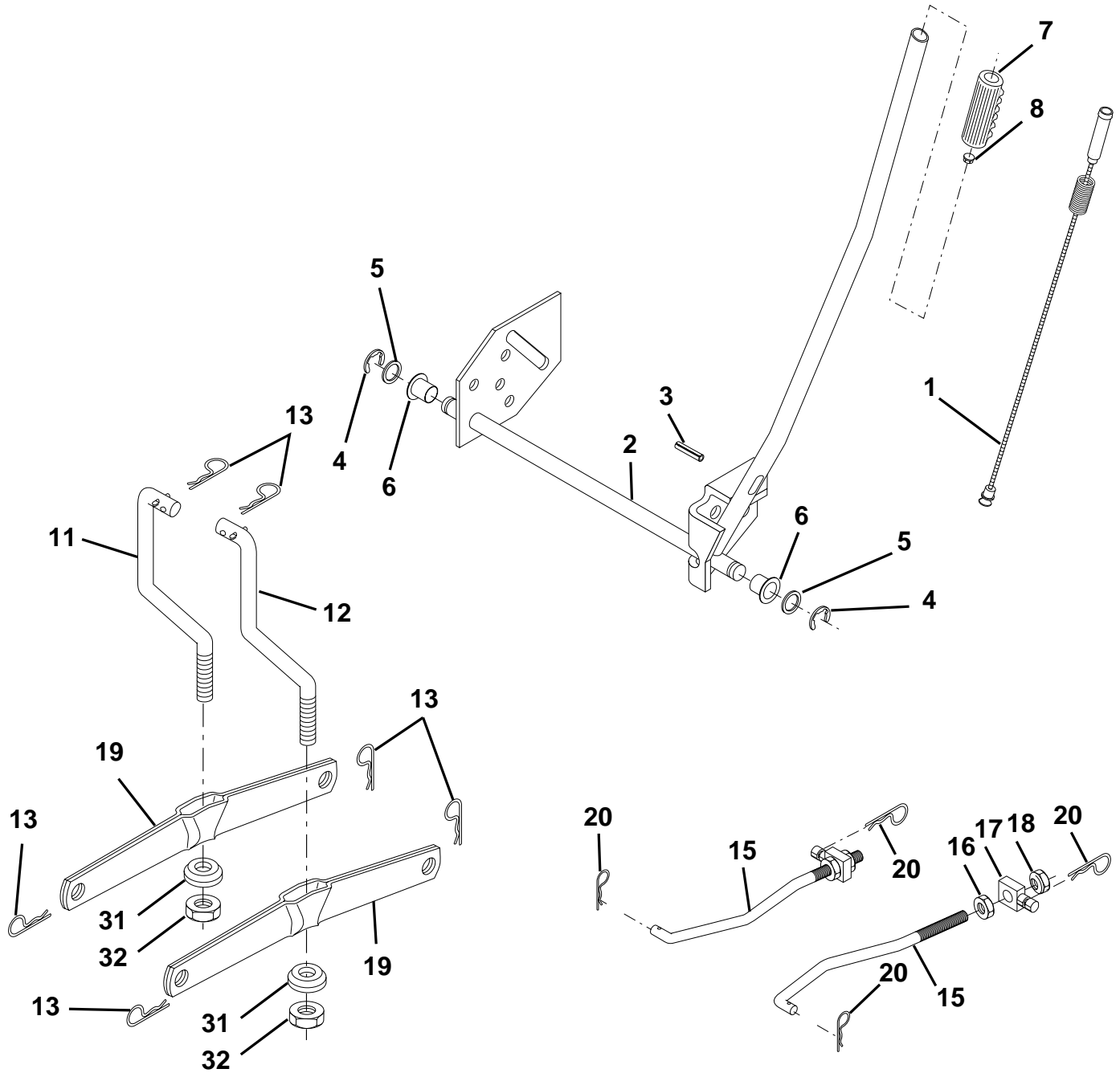
MOWER DECK

KEY NO.	PART NO.	DESCRIPTION	KEY NO.	PART NO.	DESCRIPTION
1	532 1658-92	Housing Asm Mower	56	532 1657-23	Spacer Retainer Mower
2	872 1405-06	Bolt Rdhd Sqnk 5/16-18unc X3/4	59	532 1410-43	Guard, Belt
3	532 1380-17	Bracket Asm Fr Sway Bar 38/42	67	532 1069-32	Knob Rd 3/8-16 Plstc Thds Blk
4	532 1654-60	Bracket Asm Deck 42"sway Bar	68	532 1802-15	V-Belt Mower
5	532 1246-70	Retainer Spring	101	532 1364-20	Cover Mulching
6	532 1780-24	Bar Sway Deck	102	871 0810-10	Screw Pan HD 10-24 x 5/8
8	532 8508-57	Bolt 3/8-24x1 25 Gr8 Patched	103	8190612-16	Washer#10
9	8100306-00	Washer Lock Hvy 3/8 Unplated	104	8100710-00	Washer Lock #10
10	532 1402-96	Washer Hard Blade Mower Vented	105	532 1607-93	Latch
11	532 1384-98	Blade Mower High Lift"	106	532 1250-04	Nut Weld .327/.304 #10 10-24
13	532 1376-45	Shaft Asm W/lower Bearing	111	532 1792-92	Bracket Gauge Wheel Lh
14	532 1287-74	Housing Mandrel Vented(machd)	112	532 1792-93	Bracket Gauge Wheel Rh
15	532 1104-85	Bearing Ball Mandrel	113	8170605-10	Screw Tapping 3/8-16 x .625
16	532 1744-93	Stripper Round Mower	114	8735105-00	Nut Keps 5/16-18 UNC
18	872 1405-05	Bolt Carr 5/16-18 X 5/8	115	872 1105-05	Bolt Carriage 5/16-18unc x 1/2
19	532 1328-27	Bolt Shoulder	116	532 1248-42	Bolt Shoulder
20	532 1597-70	Baffle Vortex	117	532 1657-46	Wheel Gauge
21	8736805-00	Nut Crown Lock 5/16-18	118	8739306-00	Nut Centerlock 3/8-16 UNC
23	532 1775-63	Bracket Deflector Mower 42"	119	8191214-14	Washer 3/8 x 7/8 x 14 Ga.
24	532 1053-04	Cap Sleeve 80x 112 Blk Mower	142	532 1658-90	Arm Spring Brake Mower
25	532 1237-13	Spring Torsion Deflector 2 52	143	532 1571-09	Bracket Arm Idler 42"
26	532 1104-52	Nut Push Phos & Oil	144	532 1586-34	Keeper Belt 42" Clutch Cable
27	532 1718-59	Shield Deflector	145	532 1658-88	Pulley Idler Flat
28	8191110-16	Washer 11/32 X 5/8 X 16 Ga	146	532 1719-77	Bolt Carriage Idler
29	532 1314-91	Rod Hinge 42"6 75 Wlg	147	532 1797-48	Spring Extension
30	532 1739-84	Screw Thdrol Washer Head	148	532 1690-22	Spring Return Idler
31	532 1299-63	Washer Spacer Mower Vented	149	532 1658-98	Retainer Spring Yellow
32	532 1535-35	Pulley Mandrel	150	8190912-16	Washer 9/32 x 3/4 x 16 Ga.
33	532 1783-42	Nut 9/16top Lock Flng Cntr	151	532 1696-70	Bracket Clutch Cable
34	872 1106-14	Bolt RDHD 3/8-16 UNC x 2-3/4 Gr.5	152	532 1815-55	Clutch Cable 42"
36	532 1314-94	Pulley Idler Flat 3 060	153	532 1696-74	Washer Flat 3/8" Type B
37	8191313-16	Washer 13/32 X 13/16 X 16 Ga	154	532 1696-75	Spring Retainer
40	8736806-00	Nut Lock 3/8-16 Unc	155	532 1696-71	Spring Retention Lvr Cltch Cab
44	532 1400-88	Guard Mandrel LH Black	156	532 1696-72	Spacer Clutch Cable
45	532 1247-88	Spring Retainer 1" Zinc/cad	157	532 1696-69	Rod Clutch Cable 3/8"
46	532 1377-29	Screw Thdrol 1/4-20x5/8	158	8177204-08	Screw Hex Thd Cut 1/4-20 x 1/2
48	532 1339-44	Washer Hardened Samllr	159	872 1406-14	Bolt Rdhd Sqn 3/8-16 Unc x 1-3/4
49	532 1742-84	Roller Asm Cam Follower 42" dec	--	532 1813-85	Replacement Mower, Complete
50	532 1313-40	Bolt Shldr 10-24 Zinc Gr 5 42"	--	532 1307-94	Mandrel Assembly (Includes Housing, Shaft and Shaft Hardware Only-Pulley Not Included)
51	532 0691-80	Nut Lock #10-24 Unc			
52	532 1398-88	Bolt Shoulder 5/16-18 Unc Blkz			
53	532 1318-45	Arm Asm Pad Brake			
54	532 1339-43	Washer Hardened			
55	532 1550-46	Arm Idler 42"mower LT/YT			

NOTE: All component dimensions given in U.S. inches
1 inch = 25.4 mm

REPAIR PARTS

TRACTOR - MODEL NO. BL15542SBK (BL15542SBA), PRODUCT NO. 964 77 15-00
MOWER LIFT



REPAIR PARTS

TRACTOR - MODEL NO. BL15542SBK (BL15542SBA), PRODUCT NO. 964 77 15-00
MOWER LIFT

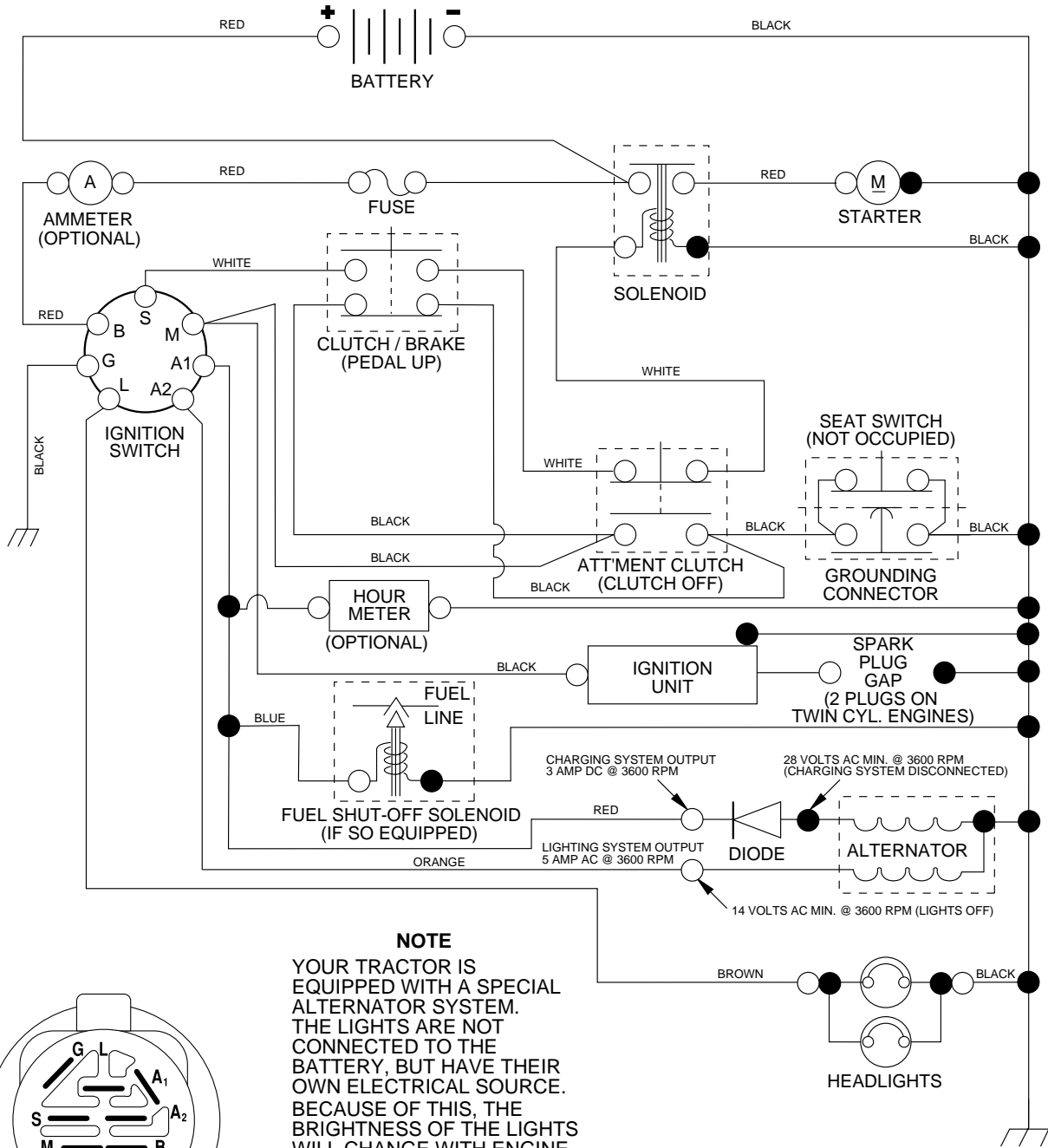
KEY NO.	PART NO.	DESCRIPTION
1	532 15 94-60	Washer Asm Inner Spring W/Plunger
2	532 15 94-71	Shaft Asm. Lift
3	532 10 57-67	Pin Groove
4	812 00 00-02	E Ring #5133-62
5	819 21 16-21	Washer 21/32 x 1 x 21 Ga
6	532 12 01-83	Bearing Nylon
7	532 10 94-13	Grip Handle
8	532 12 45-26	Button Plunger
11	532 13 98-65	Link Lift LH
12	532 13 98-66	Link Lift RH
13	532 12 46-70	Retainer Spring
15	532 17 32-88	Link Front
16	873 35 08-00	Nut Jam Hex 1/2-13 Unc
17	532 17 56-89	Trunnion
18	873 80 08-00	Nut Lock W/Wsh 1/2-13 Unc
19	532 13 98-68	Arm Suspension Mower
20	532 16 35-52	Retainer Spring
31	532 16 98-65	Bearing Pvt. Lift
32	873 54 06-00	Nut Crownlock 3/8-24

NOTE: All component dimensions given in U.S. inches
1 inch = 25.4 mm

REPAIR PARTS

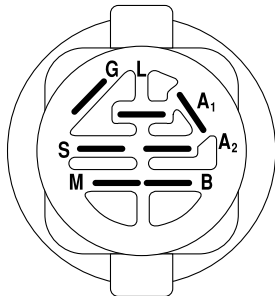
TRACTOR - MODEL NO. BL15542SBK (BL15542SBA), PRODUCT NO. 964 77 15-00

SCHEMATIC



NOTE

YOUR TRACTOR IS EQUIPPED WITH A SPECIAL ALTERNATOR SYSTEM. THE LIGHTS ARE NOT CONNECTED TO THE BATTERY, BUT HAVE THEIR OWN ELECTRICAL SOURCE. BECAUSE OF THIS, THE BRIGHTNESS OF THE LIGHTS WILL CHANGE WITH ENGINE SPEED. AT IDLE THE LIGHTS WILL DIM. AS THE ENGINE IS SPEEDED UP, THE LIGHTS WILL BECOME THEIR BRIGHTEST.



IGNITION SWITCH

POSITION	CIRCUIT	"MAKE"
OFF	M+G+A1	NONE
RUN/LIGHT	B+A1	A2+L
RUN	B+A1	NONE
START	B + S + A1	NONE

WIRING INSULATED CLIPS

NOTE: IF WIRING INSULATED CLIPS WERE REMOVED FOR SERVICING OF UNIT, THEY SHOULD BE REPLACED TO PROPERLY SECURE YOUR WIRING.

NON-REMOVABLE CONNECTIONS

REMOVABLE CONNECTIONS