

Genuine Spare Parts

www.stiga.com

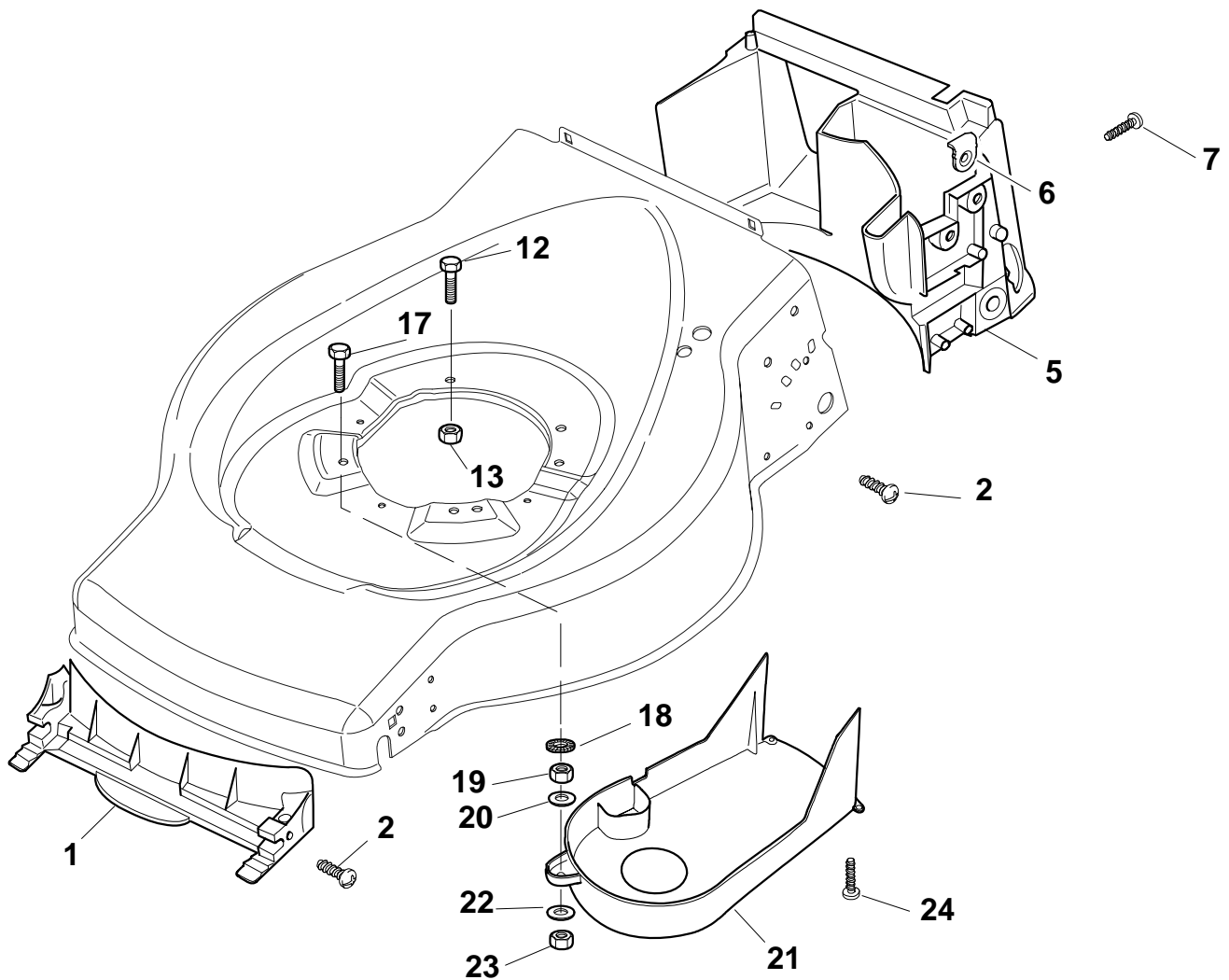
COLLECTOR 46 S B Model Year 2010

- Use GLOBAL GARDEN PRODUCT Genuine Spare Parts specified in the parts list for repair and/or replacement.
- The contents described in the parts list may change due to improvement.
- The drawings of the spare parts are only indicative and might not represent the part in question exactly.
- The indications "right" - "left" - "front" - "rear" refer to the position of the operator when using the machine.
- When placing orders of parts for repair and/or replacement, make sure that the illustrated parts list is the one applying to the machine's year of manufacture, as shown on the identification plate attached to the machine.

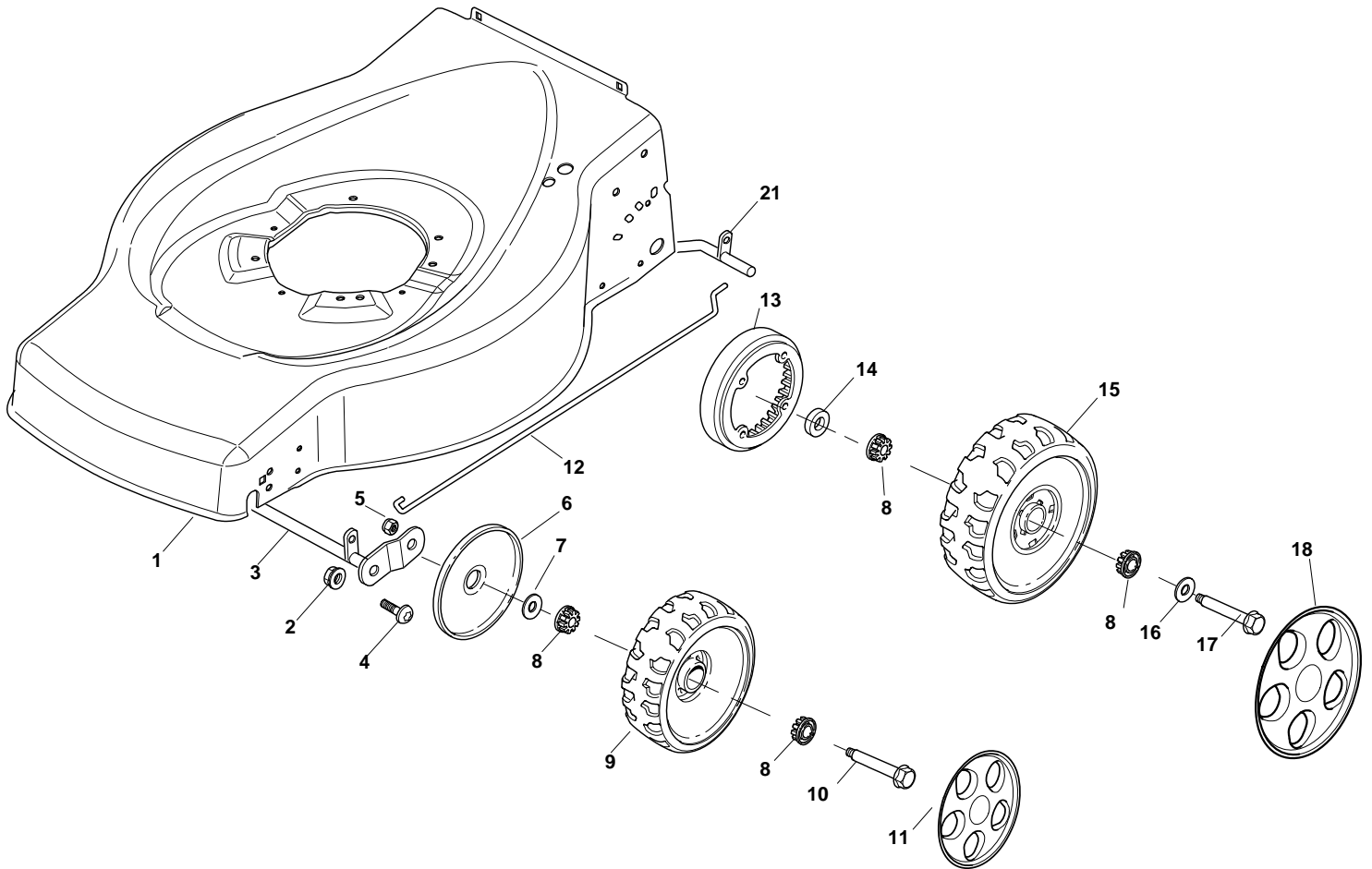
COPYRIGHT by GLOBAL GARDEN PRODUCTS

All rights reserved. No part of this material may be reproduced or transmitted, in any form or by any means, electronic or mechanical, including photocopying, recording or by any information storage and retrieval system, without permission in writing from GLOBAL GARDEN PRODUCTS.

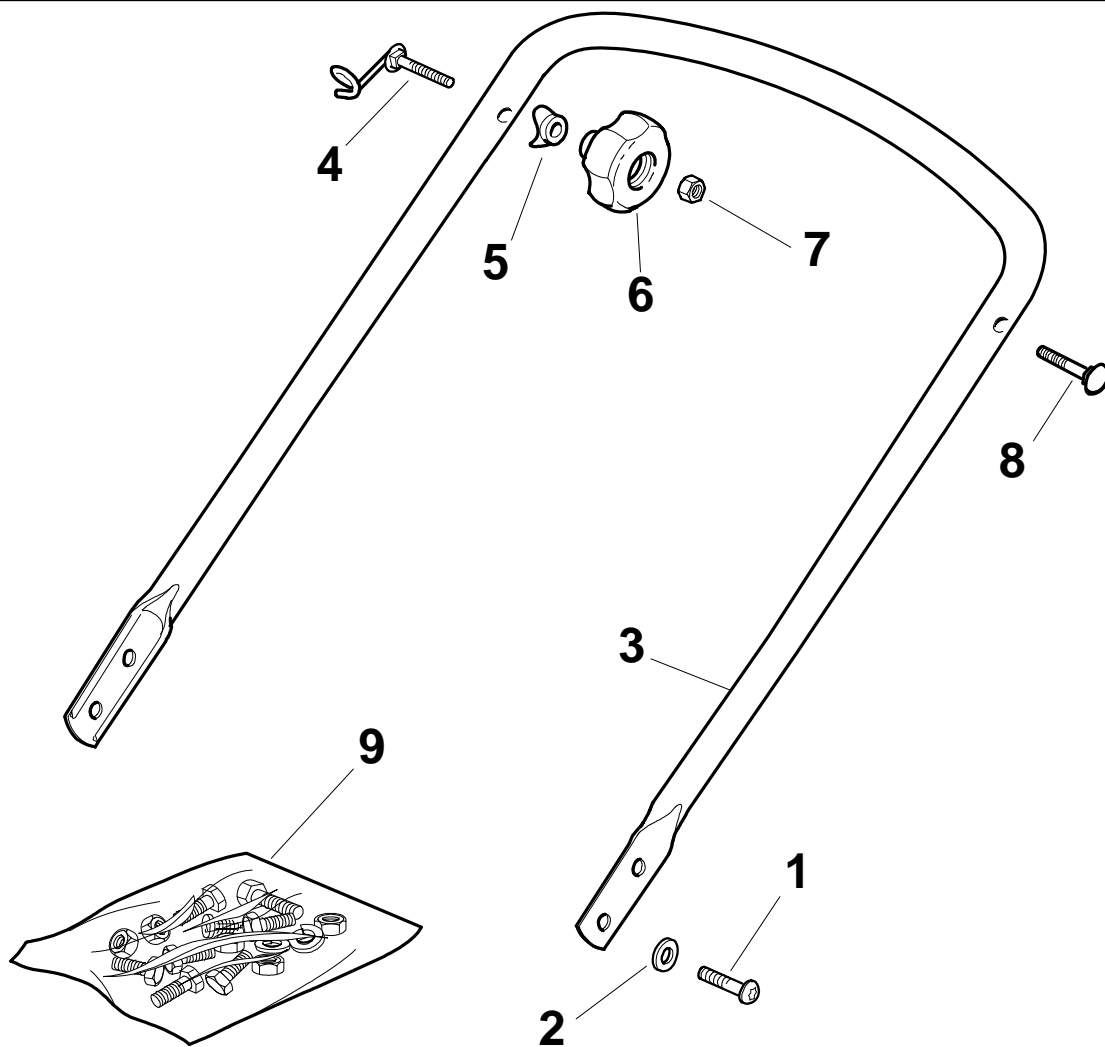


COLLECTOR 46 S B


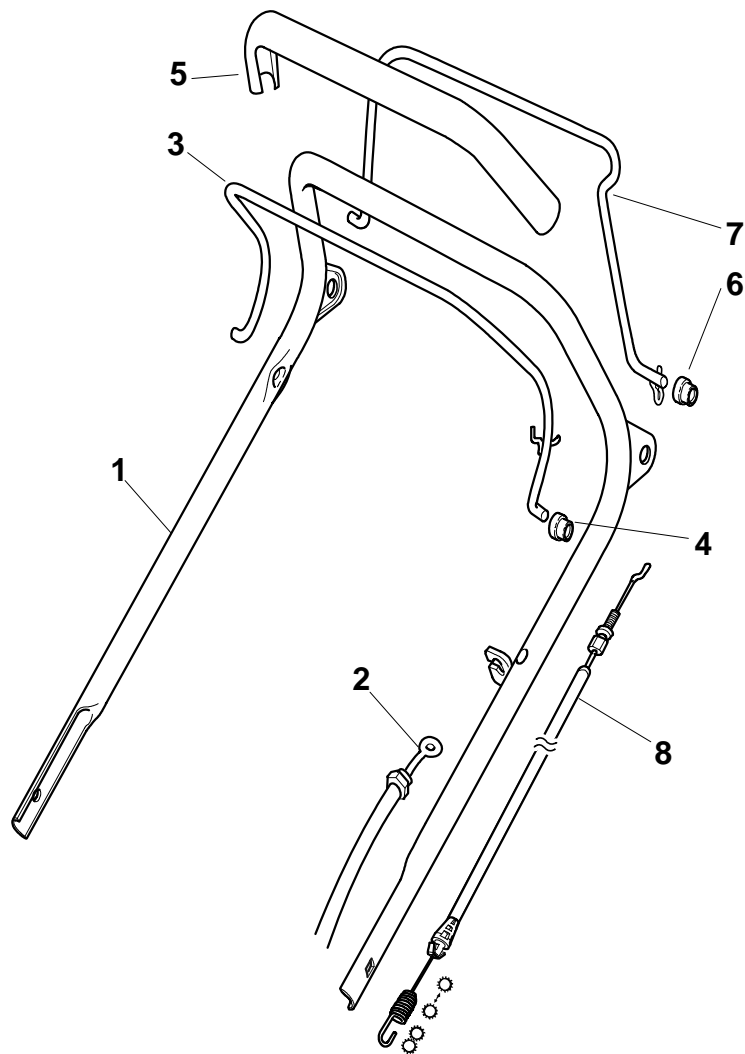
Pos. Fig.	Antal Quantity	Art No Part No	Benämning	Description	Anmärkning Notes
1	1	22108271/0	Ledplåt-främre	Front Conveyor Assy	
2	6	12728686/0	Skruv	Screw	
5	1	22108272/2	Ledplåt-bakre	Rear Conveyor Assy	
6	4	322545189/0	Plåt	Plate	
7	2	12728686/0	Skruv	Screw	
12	2	12793701/0	Skruv	Screw	
13	2	12293201/0	Mutter	Nut	
17	1	12691115/0	Skruv	Screw	
18	1	12540060/0	Bricka	Washer	
19	1	12293200/0	Mutter	Nut	
20	1	22671651/0	Bricka	Washer	
21	1	22060212/0	Remskydd	Protection, Belt	464
22	1	25670011/0	Bricka	Washer	
23	1	12155000/0	Mutter	Nut	
24	2	12728686/0	Skruv	Screw	
34	1	22140226/0	Mulchplugg	Deflector	464

COLLECTOR 46 S B


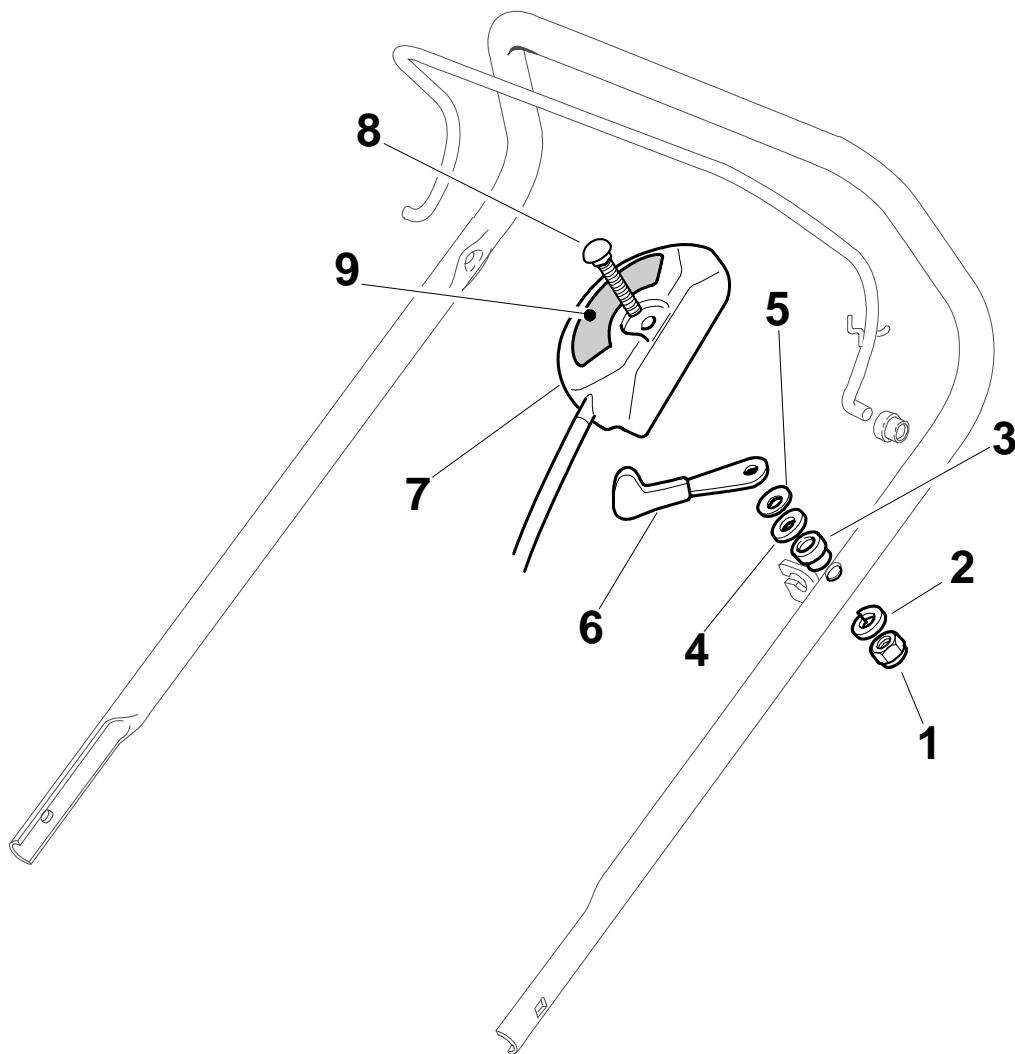
Pos. Fig.	Antal Quantity	Art No Part No	Benämning	Description	Anmärkning Notes
1	1	81002538/0	Chassi	Deck Red	
2	2	12155000/0	Mutter	Nut	
3	1	81000153/0	Hjulaxel	Axle, Front Wheels	
4	2	12760600/0	Skruv	Screw	
5	2	22131750/0	Mutter	Nut	
6	2	22600095/0	Hjulskydd	Protection	
7	2	22671651/0	Bricka	Washer	
8	8	22122200/0	Kullager	Bearing	
9	2	22686091/1	Hjul	Wheel	
10	2	22524341/0	Hjulbult	Pin	
11	2	322110595/0	Navkapsel-gul	Hub Cap Yellow	
12	1	22033317/0	Justerstång	Adjustment Rod	
13	2	22120109/0	Kuggring	Sprocket	
14	2	22170622/0	Distans	Spacer	
15	2	22686093/0	Hjul	Wheel	
16	2	12523050/0	Bricka	Washer	
17	2	12735599/0	Skruv	Screw	
18	2	322110621/0	Navkapsel-gul	Hub Cap Yellow	
21	1	81000159/0	Hjulaxel	Axle, Rear Wheels	

COLLECTOR 46 S B


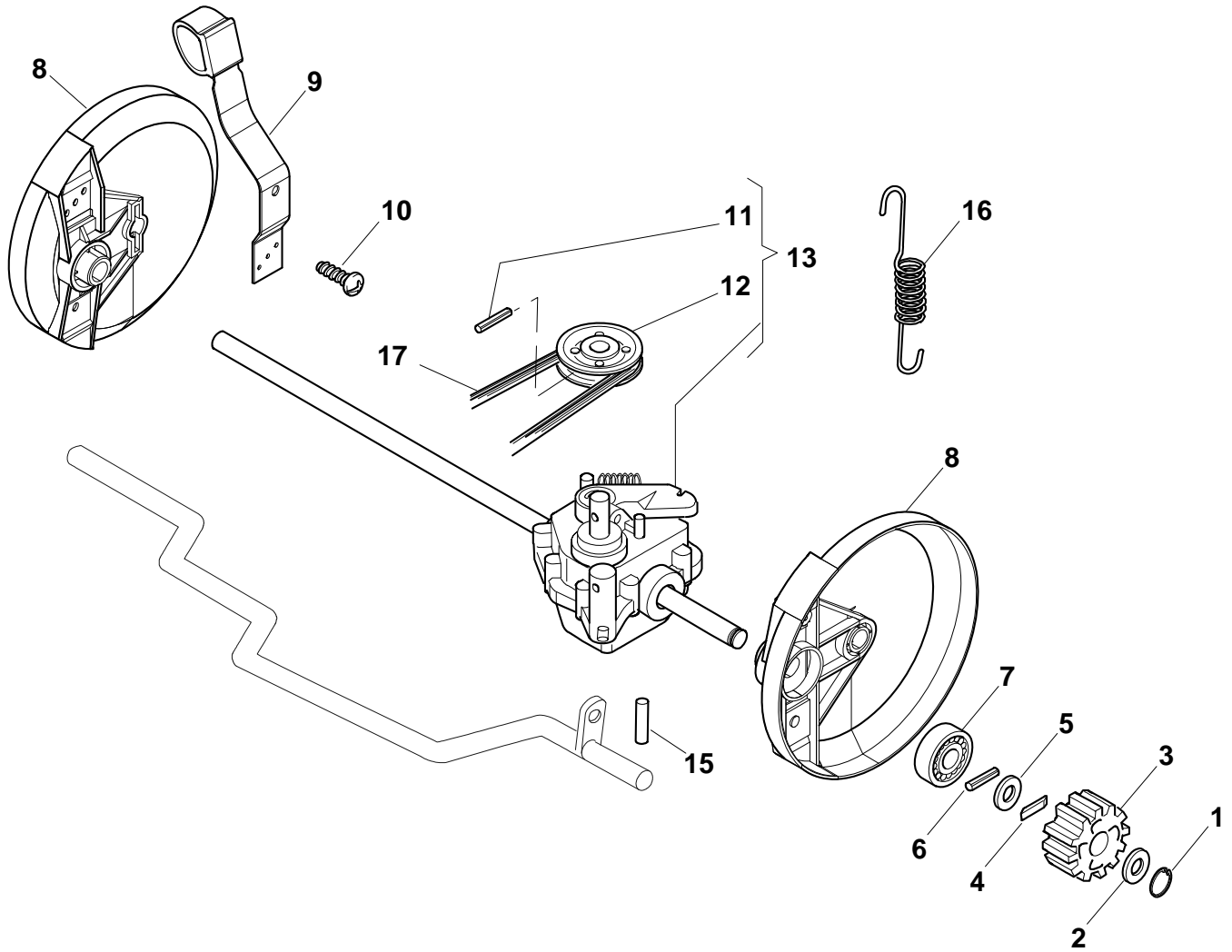
Pos. Fig.	Antal Quantity	Art No Part No	Benämning	Description	Anmärkning Notes
1	4	12760605/0	Skruv	Screw	
2	4	12521350/0	Bricka	Washer	
3	1	81006570/0	Styre-underdel	Handle, Lower Part	
4	1	81003801/1	Snörhållare	Guide Spring	
5	2	22680006/1	Bricka	Washer	
6	2	322399804/1	Knopp	Knob	
7	2	12293200/0	Mutter	Nut	
8	1	12819201/0	Skruv	Screw	
9	1	81008648/1	Skrivsats	Outfit, Screws	

COLLECTOR 46 S B


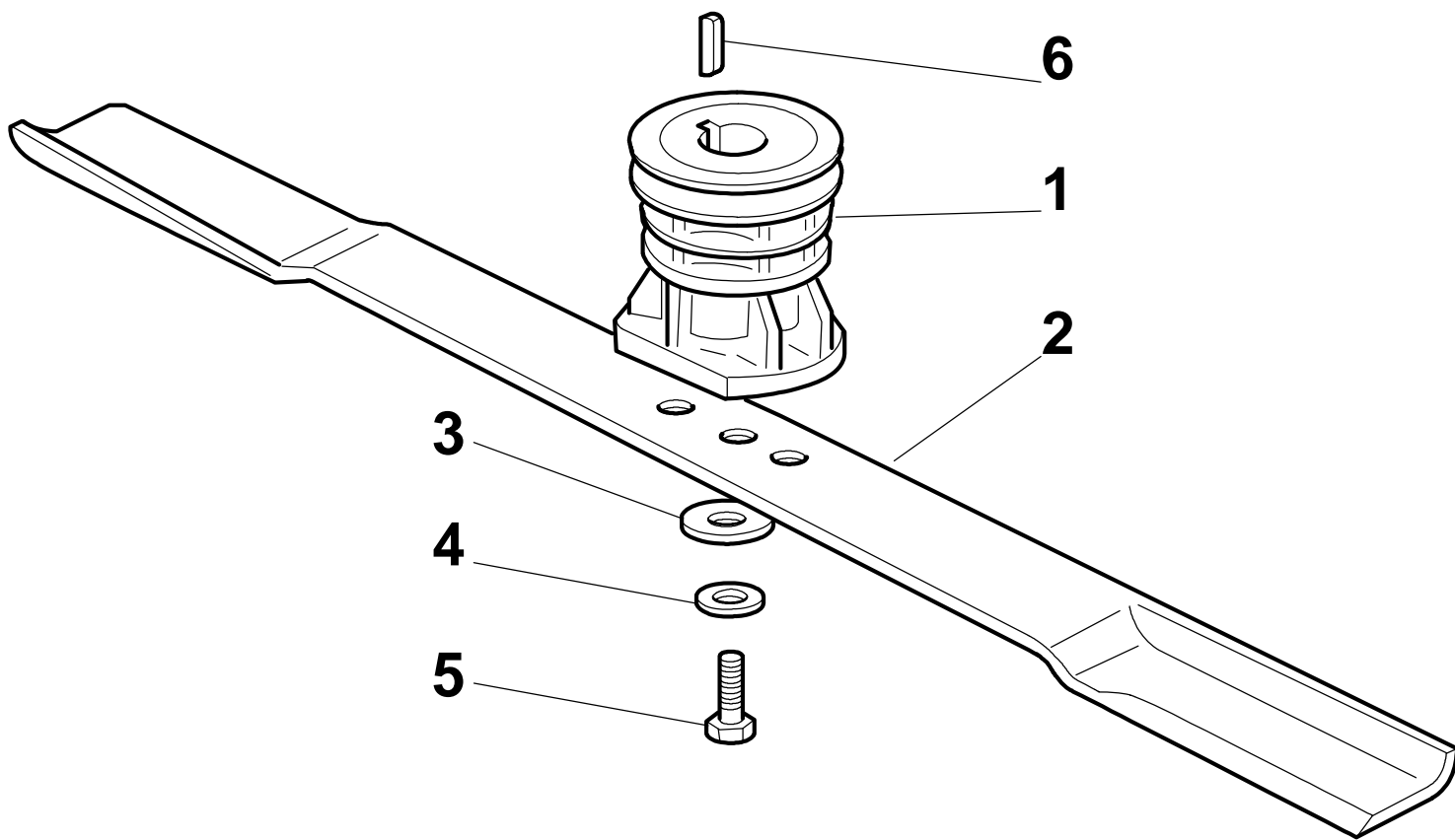
Pos. Fig.	Antal Quantity	Art No Part No	Benämning	Description	Anmärkning Notes
1	1	81007024/0	Styre-överdel	Handle, Upper Part	
2	1	81000616/1	Motorbromswire	Cable, Thread Engine Brake	
3	1	81003291/3	Reglagebygel	Lever, Engine Brake	
4	2	22041966/0	Bussning	Bush	
5	1	22291050/0	Handtag	Handgrip Black	
6	2	22041965/1	Bussning	Bush	
7	1	81003288/1	Reglagebygel	Lever, Driving	
8	1	381000778/0	Kopplingswire	Cable, Rear Drive	

COLLECTOR 46 S B


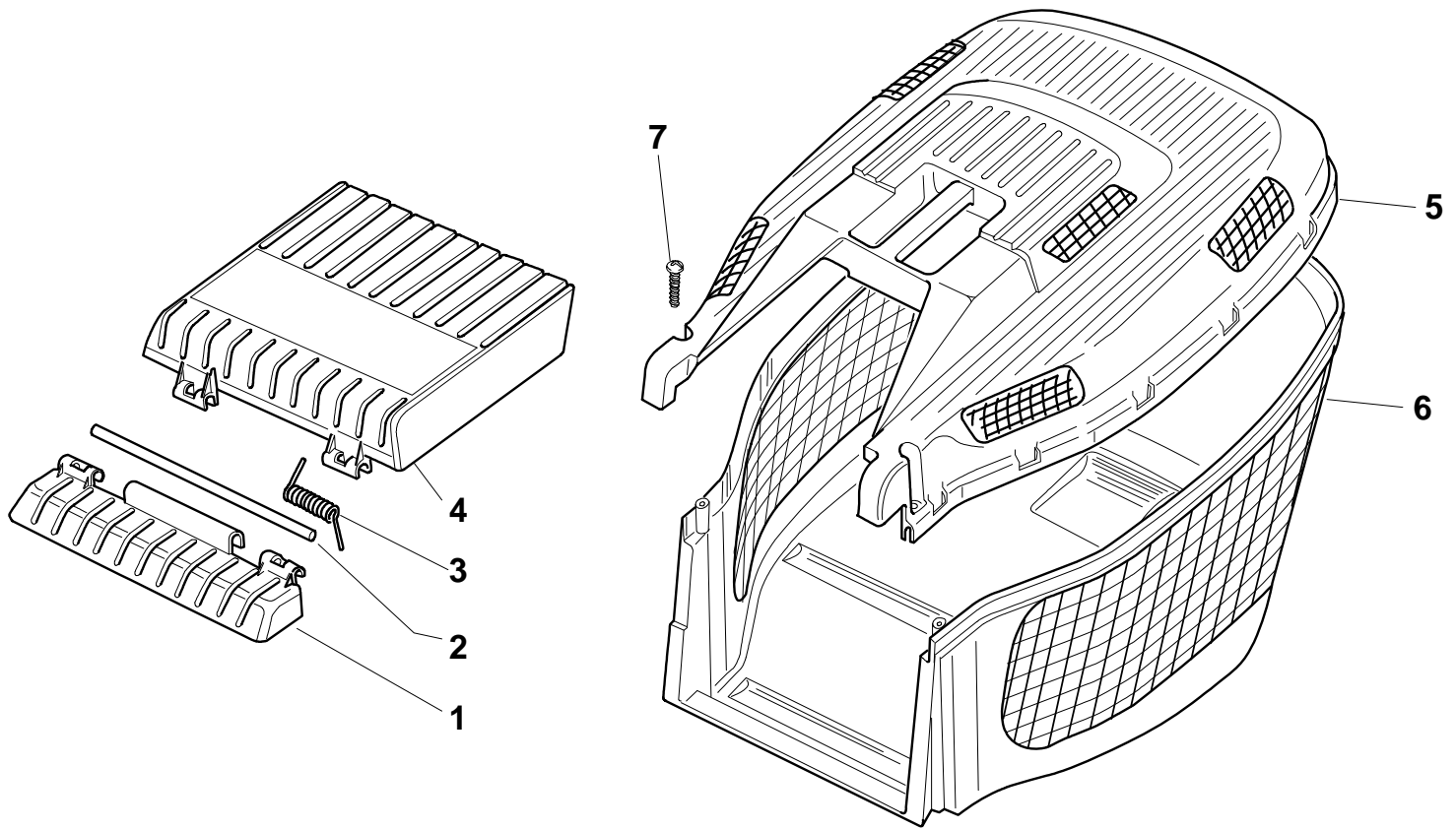
Pos. Fig.	Antal Quantity	Art No Part No	Benämning	Description	Anmärkning Notes
1	1	12291000/0	Mutter	Nut	
2	1	12581500/0	Låsbricka	Grower	
3	1	22171005/0	Distans	Spacer	
4	1	12521360/0	Bricka	Washer	
5	1	12508100/0	Låsbricka	Washer	
6	1	81007220/0	Gasarm	Lever, Throttle	
7	1	81007079/0	Gaswire	Cable, Trottle	
8	1	12815000/0	Skruv	Screw	
9	1	14356702/0	Dekal	Label	

COLLECTOR 46 S B


Pos. Fig.	Antal Quantity	Art No Part No	Benämning	Description	Anmärkning Notes
1	2	12608520/0	Låsring	Seeger	
2	2	22160520/0	Dammskydd	Dust Cover	
3	2	22570125/0	Drev	Pinion	
4	2	22076645/0	Kil	Key	
5	2	22160520/0	Dammskydd	Dust Cover	
6	2	12622620/0	Stift	Pin	
7	2	22122202/0	Lager	Bearing	
8	2	22600106/1	Hjulskydd	Protection, Wheel	
9	1	81003303/0	Höjdställningsspak	Lever, Height Adjustment	
10	2	12728689/0	Skruv	Screw	
11	1	12713801/0	Stift	Dowel	
12	1	22601909/0	Remskiva	Pulley	
13	1	181003093/1	Transmission	Gear Box	
15	2	22753001/0	Stift	Pin	
16	1	22450438/0	Fjäder	Spring	
17	1	35063750/0	Drivrem	Belt	

COLLECTOR 46 S B


Pos. Fig.	Antal Quantity	Art No Part No	Benämning	Description	Anmärkning Notes
1	1	122465607/3	Knivfäste	Hub With Pulley, Crankshaft Ø 22.2	
2	1	81004365/3	Kniv	Blade Standard	
3	1	22160400/0	Bricka	Elastic Washer	
4	1	12523080/0	Bricka	Washer	
5	1	12735698/0	Skruv	Screw	
6	1	12139100/0	Kil	Key	

COLLECTOR 46 S B


Pos. Fig.	Antal Quantity	Art No Part No	Benämning	Description	Anmärkning Notes
1	1	22785140/1	Hållare	Support	
2	1	22517858/0	Axel	Pin	
3	1	22450431/0	Fjäder	Spring	
4	1	322600100/1	Lucka	Stone-Guard	
5	1	22486121/0	Uppsamlare-överdel	Grassbox Upper	
6	1	22486128/0	Uppsamlare-underdel	Grassbox Lower Part	
7	2	12728686/0	Skruv	Screw	