

Genuine Spare Parts

www.stiga.com

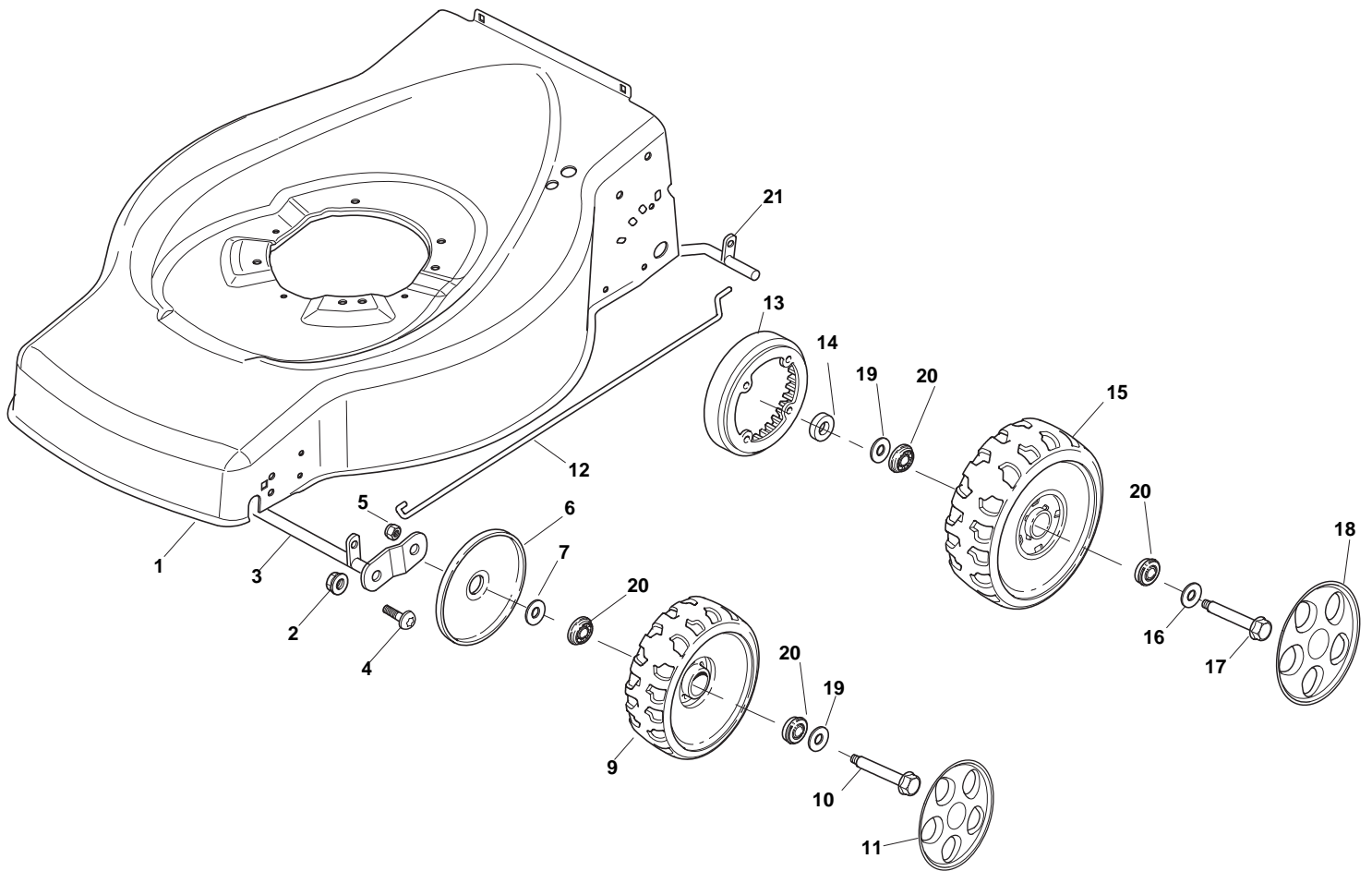
COMBI 46 S EL Model Year 2010

- Use GLOBAL GARDEN PRODUCT Genuine Spare Parts specified in the parts list for repair and/or replacement.
- The contents described in the parts list may change due to improvement.
- The drawings of the spare parts are only indicative and might not represent the part in question exactly.
- The indications "right" - "left" - "front" - "rear" refer to the position of the operator when using the machine.
- When placing orders of parts for repair and/or replacement, make sure that the illustrated parts list is the one applying to the machine's year of manufacture, as shown on the identification plate attached to the machine.

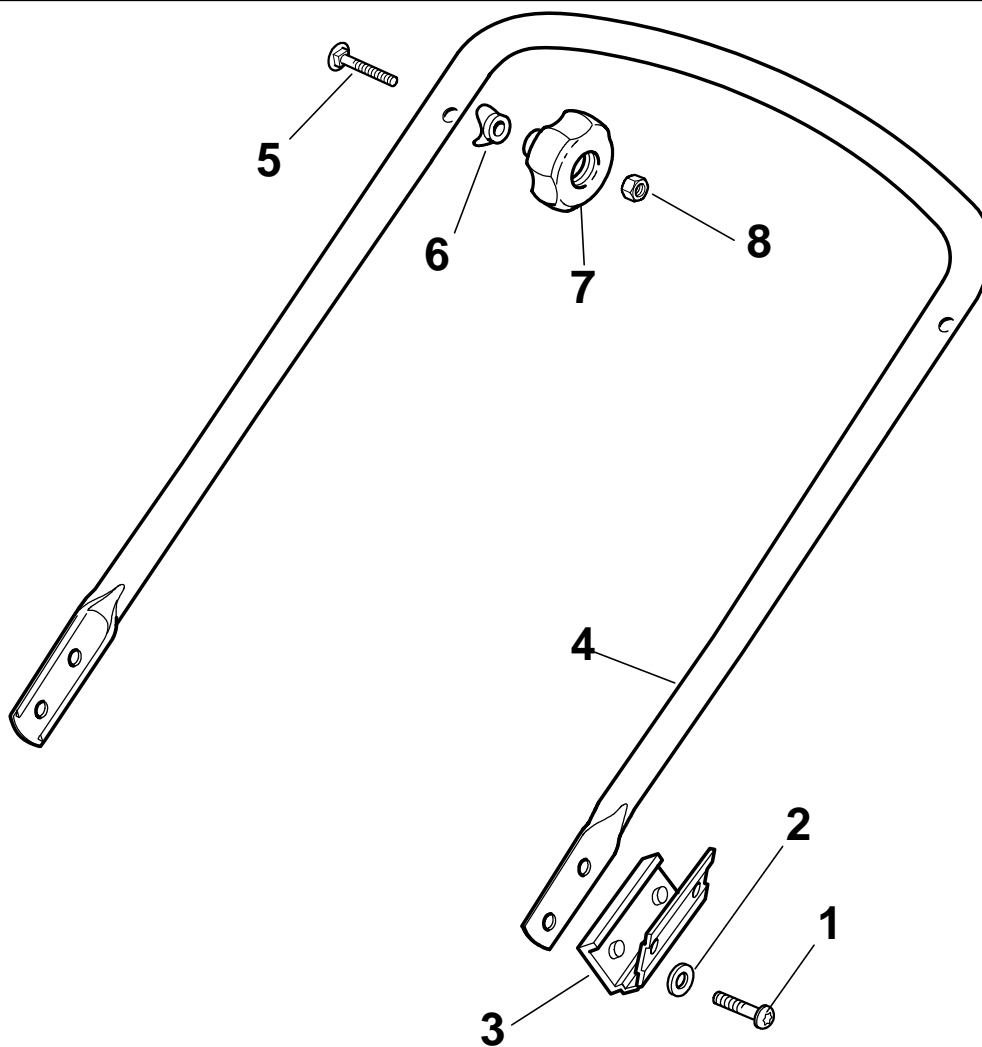
COPYRIGHT by GLOBAL GARDEN PRODUCTS

All rights reserved. No part of this material may be reproduced or transmitted, in any form or by any means, electronic or mechanical, including photocopying, recording or by any information storage and retrieval system, without permission in writing from GLOBAL GARDEN PRODUCTS.

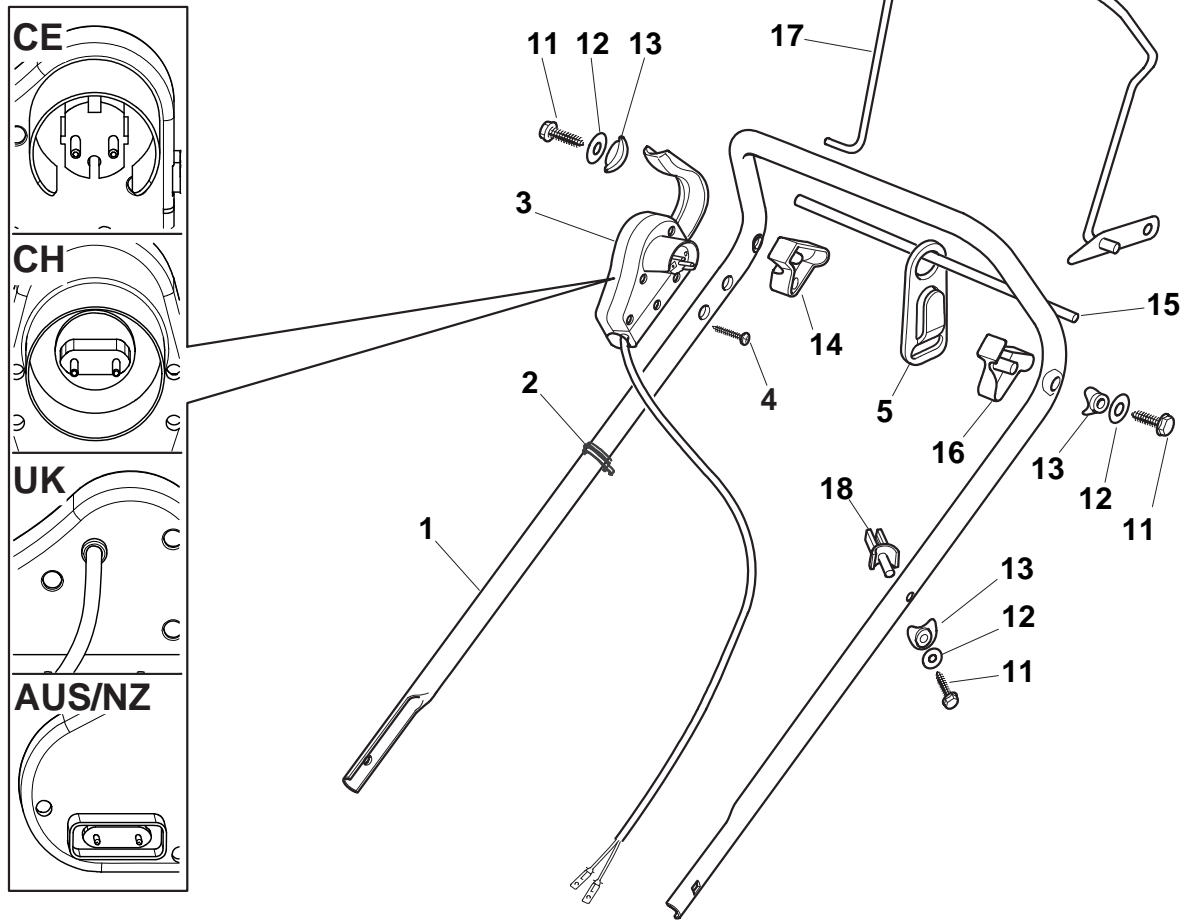


COMBI 46 S EL - Model Year 2010


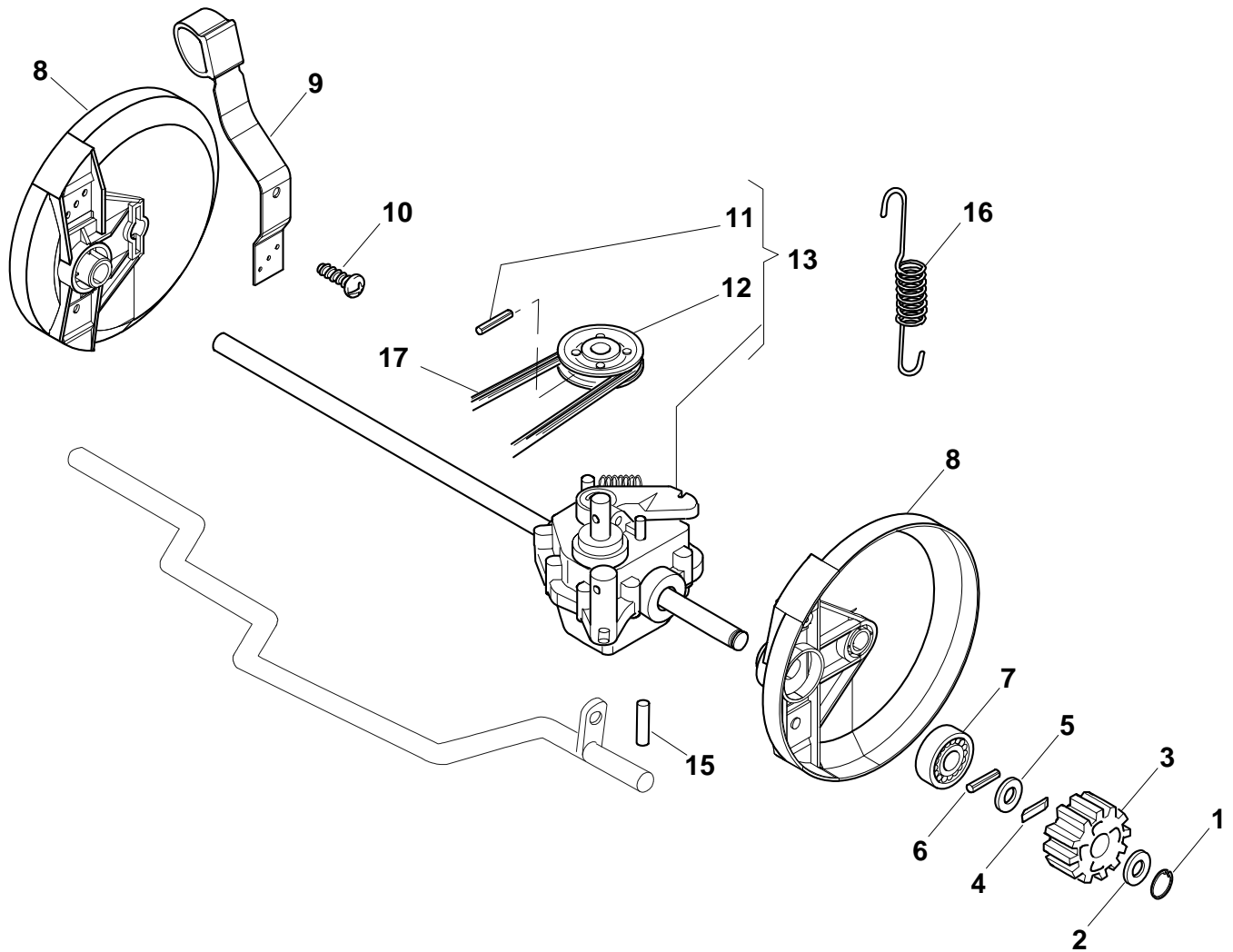
| Pos. Fig. | Antal Quantity | Art No Part No | Benämning | Description | Anmärkning Notes |
|-----------|----------------|----------------|---------------|--------------------|------------------|
| 1 | 1 | 81002538/0 | Chassi | Deck Red | |
| 2 | 2 | 12155000/0 | Mutter | Nut | |
| 3 | 1 | 81000153/0 | Hjulaxel | Axle, Front Wheels | |
| 4 | 2 | 12760600/0 | Skruv | Screw | |
| 5 | 2 | 22131750/0 | Mutter | Nut | |
| 6 | 2 | 22600095/0 | Hjulskydd | Protection | |
| 7 | 2 | 22671651/0 | Bricka | Washer | |
| 9 | 2 | 22686091/1 | Hjul | Wheel | |
| 10 | 2 | 22524341/0 | Hjulbult | Pin | |
| 11 | 2 | 322110595/0 | Navkapsel-gul | Hub Cap Yellow | |
| 12 | 1 | 22033317/0 | Justerstång | Adjustment Rod | |
| 13 | 2 | 22120109/0 | Kuggring | Sprocket | |
| 14 | 2 | 22170622/0 | Distans | Spacer | |
| 15 | 2 | 22686093/0 | Hjul | Wheel | |
| 16 | 2 | 12523050/0 | Bricka | Washer | |
| 17 | 2 | 12735599/0 | Skruv | Screw | |
| 18 | 2 | 322110621/0 | Navkapsel-gul | Hub Cap Yellow | |
| 19 | 4 | 22675100/0 | Bricka | Washer | |
| 20 | 8 | 22122200/0 | Kullager | Bearing | |
| 21 | 1 | 81000159/0 | Hjulaxel | Axle, Rear Wheels | |

COMBI 46 S EL - Model Year 2010


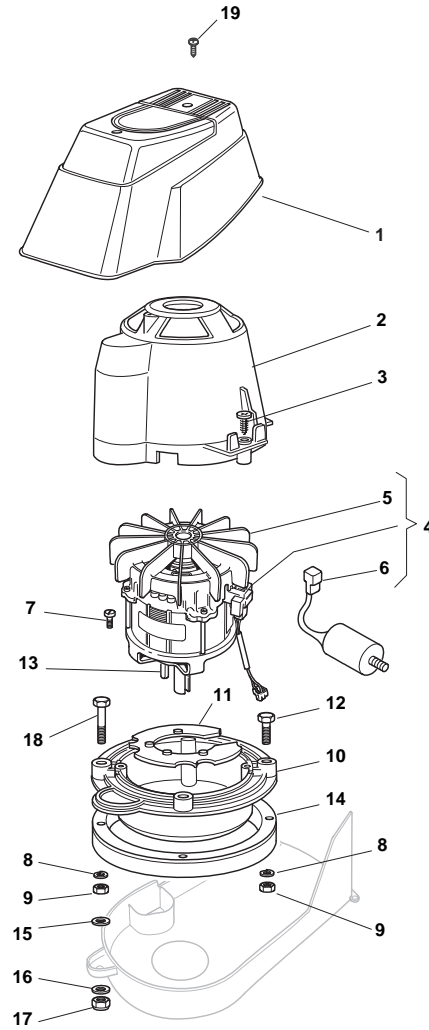
| Pos. Fig. | Antal Quantity | Art No Part No | Benämning | Description | Anmärkning Notes |
|-----------|----------------|----------------|----------------|--------------------|------------------|
| 1 | 4 | 12760610/0 | Skruv | Screw | |
| 2 | 4 | 22671651/0 | Bricka | Washer | |
| 3 | 2 | 22551579/0 | Platta | Plate | |
| 4 | 1 | 81006600/0 | Styre-underdel | Handle, Lower Part | |
| 5 | 2 | 12819201/0 | Skruv | Screw | |
| 6 | 2 | 22680006/1 | Bricka | Washer | |
| 7 | 2 | 322399804/1 | Knopp | Knob | |
| 8 | 2 | 12293200/0 | Mutter | Nut | |

COMBI 46 S EL - Model Year 2010


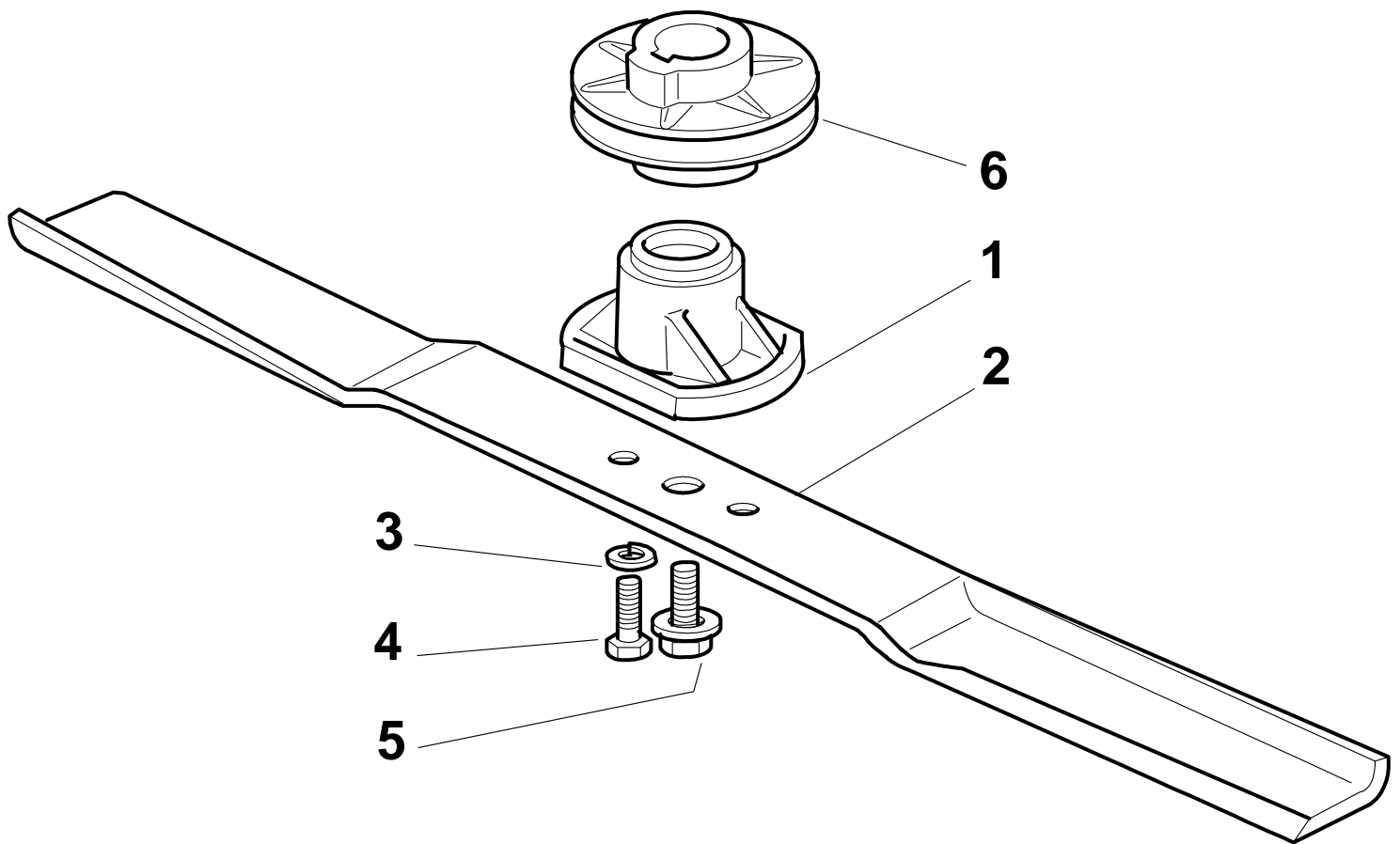
| Pos. Fig. | Antal Quantity | Art No Part No | Benämning | Description | Anmärkning Notes |
|-----------|----------------|----------------|-----------------------|--------------------|------------------|
| 1 | 1 | 81006603/0 | Styre-överdel | Handle, Upper Part | |
| 2 | 2 | 22192000/1 | Kabelhållare | Clamp | |
| 3 | 1 | 18710628/0 | Manöverdosa | Dead Hand Switch | (AUS/NZ) |
| 3 | 1 | 81600500/1 | Manöverdosa | Dead Hand Switch | (CE) |
| 3 | 1 | 81600501/1 | Manöverdosa | Dead Hand Switch | (CH) |
| 3 | 1 | 81600502/1 | Manöverdosa | Dead Hand Switch | (UK) |
| 4 | 2 | 12728701/0 | Skruv | Screw | |
| 5 | 1 | 22195101/4 | Kabelhållare | Fairlead | |
| 11 | 3 | 12735103/0 | Skruv | Screw | |
| 12 | 3 | 12523040/0 | Bricka | Washer | |
| 13 | 3 | 22680006/1 | Bricka | Washer | |
| 14 | 1 | 322806518/2 | Stöd-hö | Support, R | |
| 15 | 1 | 22020320/0 | Hållare | Fairlead Bearing | |
| 16 | 1 | 322806519/2 | Stöd-vå | Support, L | |
| 17 | 1 | 81001245/1 | Reglagebygel-drivning | Driving Lever | |
| 18 | 1 | 22806520/0 | Support, Adjuster | Support, Adjuster | |



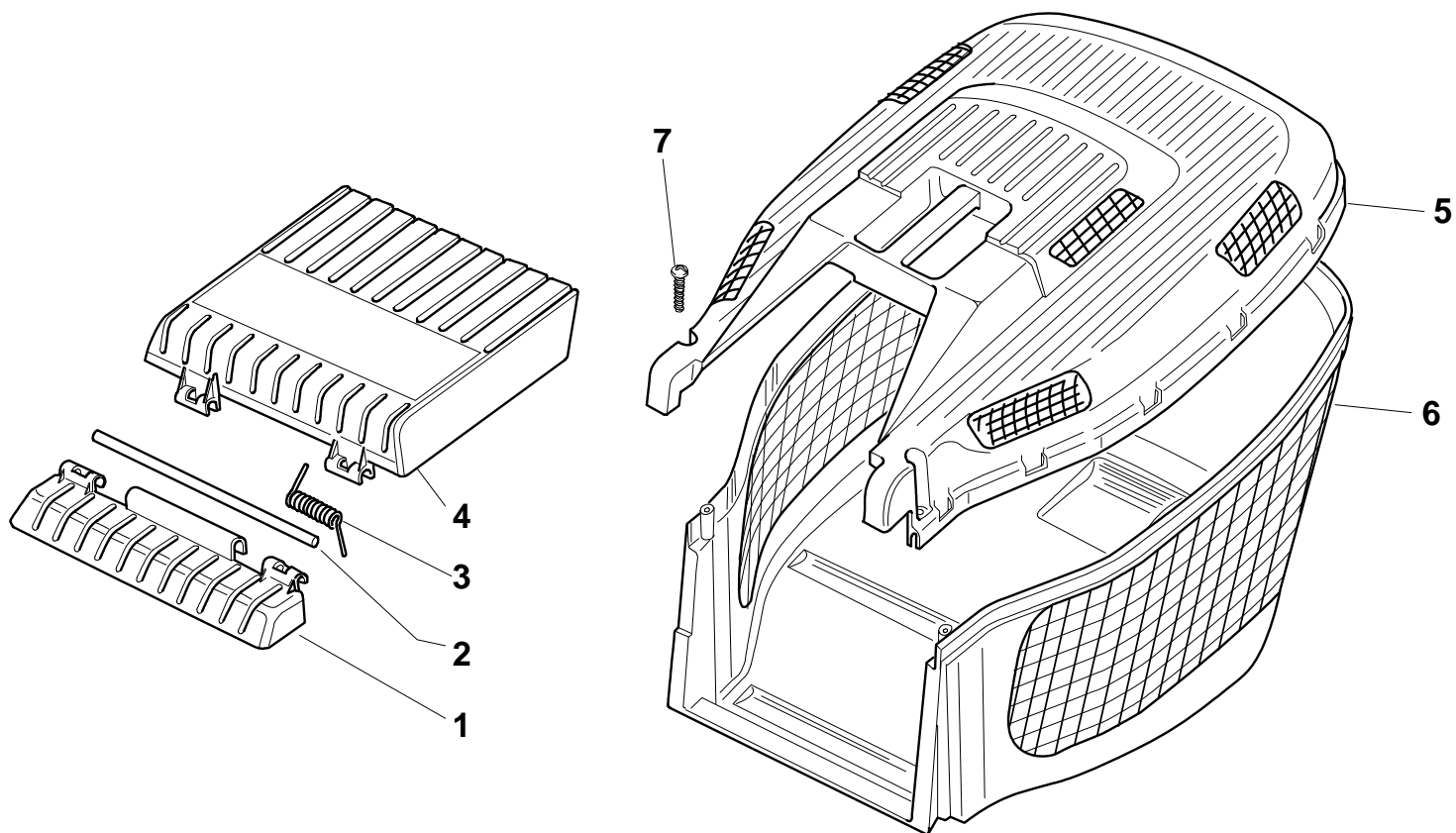
| Pos. Fig. | Antal Quantity | Art No Part No | Benämning | Description | Anmärkning Notes |
|-----------|----------------|----------------|--------------------|--------------------------|------------------|
| 1 | 2 | 12608520/0 | Låsring | Seeger | |
| 2 | 2 | 22160520/0 | Dammskydd | Dust Cover | |
| 3 | 2 | 22570125/0 | Drev | Pinion | |
| 4 | 2 | 22076645/0 | Kil | Key | |
| 5 | 2 | 22160520/0 | Dammskydd | Dust Cover | |
| 6 | 2 | 12622620/0 | Stift | Pin | |
| 7 | 2 | 22122202/0 | Lager | Bearing | |
| 8 | 2 | 22600106/1 | Hjulskydd | Protection, Wheel | |
| 9 | 1 | 81003303/0 | Höjdställningsspak | Lever, Height Adjustment | |
| 10 | 2 | 12728689/0 | Skruv | Screw | |
| 11 | 1 | 12713801/0 | Stift | Dowel | |
| 12 | 1 | 22601909/0 | Remskiva | Pulley | |
| 13 | 1 | 181003093/1 | Transmission | Gear Box | |
| 15 | 2 | 22753001/0 | Stift | Pin | |
| 16 | 1 | 22450438/0 | Fjäder | Spring | |
| 17 | 1 | 35063750/0 | Drivrem | Belt | |



| Pos. Fig. | Antal Quantity | Art No Part No | Benämning | Description | Anmärkning Notes |
|-----------|----------------|----------------|-------------------|--------------------|------------------|
| 1 | 1 | 322055139/0 | Kåpa | Cover Yellow | |
| 2 | 1 | 22785210/0 | Kåpstöd | Support, Cover | |
| 3 | 4 | 12728710/0 | Skruv | Screw | |
| 4 | 1 | 118563641/1 | Elmotor Atb | Motor Atb | |
| 5 | 1 | 18740054/0 | Fläkt | Fan Motor Atb | |
| 6 | 1 | 18222039/0 | Kondensator | Condenser 25 µf | |
| 7 | 4 | 12735410/0 | Skruv | Screw | |
| 8 | 4 | 12583500/0 | Låsbricka | Grower | |
| 9 | 4 | 12293200/0 | Mutter | Nut | |
| 10 | 1 | 322207211/4 | Fläns | Flange | |
| 11 | 1 | 322720360/2 | Ventilationsskärm | Ventilation Screen | |
| 12 | 3 | 12691800/0 | Skruv | Screw | |
| 13 | 1 | 12139440/0 | Kil | Feather | |
| 14 | 1 | 22170960/1 | Distans | Spacer | |
| 15 | 1 | 22671651/0 | Bricka | Washer | |
| 16 | 1 | 12521350/0 | Bricka | Washer | |
| 17 | 1 | 12155000/0 | Mutter | Nut | |
| 18 | 1 | 12692000/0 | Skruv | Screw | |
| 19 | 2 | 12728680/0 | Skruv | Screw | |



| Pos. Fig. | Antal Quantity | Art No Part No | Benämning | Description | Anmärkning Notes |
|-----------|----------------|----------------|-----------|----------------|------------------|
| 1 | 1 | 322463186/3 | Nav | Hub | |
| 2 | 1 | 81004365/3 | Kniv | Blade Standard | |
| 3 | 2 | 12583500/0 | Låsbricka | Grower | |
| 4 | 2 | 12793102/0 | Skruv | Screw | |
| 5 | 1 | 81004352/0 | Skruv | Screw | |
| 6 | 1 | 22601911/1 | Remskiva | Pulley | |



| Pos. Fig. | Antal Quantity | Art No Part No | Benämning | Description | Anmärkning Notes |
|-----------|----------------|----------------|---------------------|---------------------|------------------|
| 1 | 1 | 22785140/1 | Hållare | Support | |
| 2 | 1 | 22517858/0 | Axel | Pin | |
| 3 | 1 | 22450431/0 | Fjäder | Spring | |
| 4 | 1 | 322600100/1 | Lucka | Stone-Guard | |
| 5 | 1 | 22486121/0 | Uppsamlare-överdel | Grassbox Upper | |
| 6 | 1 | 22486128/0 | Uppsamlare-underdel | Grassbox Lower Part | |
| 7 | 2 | 12728686/0 | Skruv | Screw | |