

STIGA

Reservdelskatalog Parts Catalogue

COMBI 48 SQ

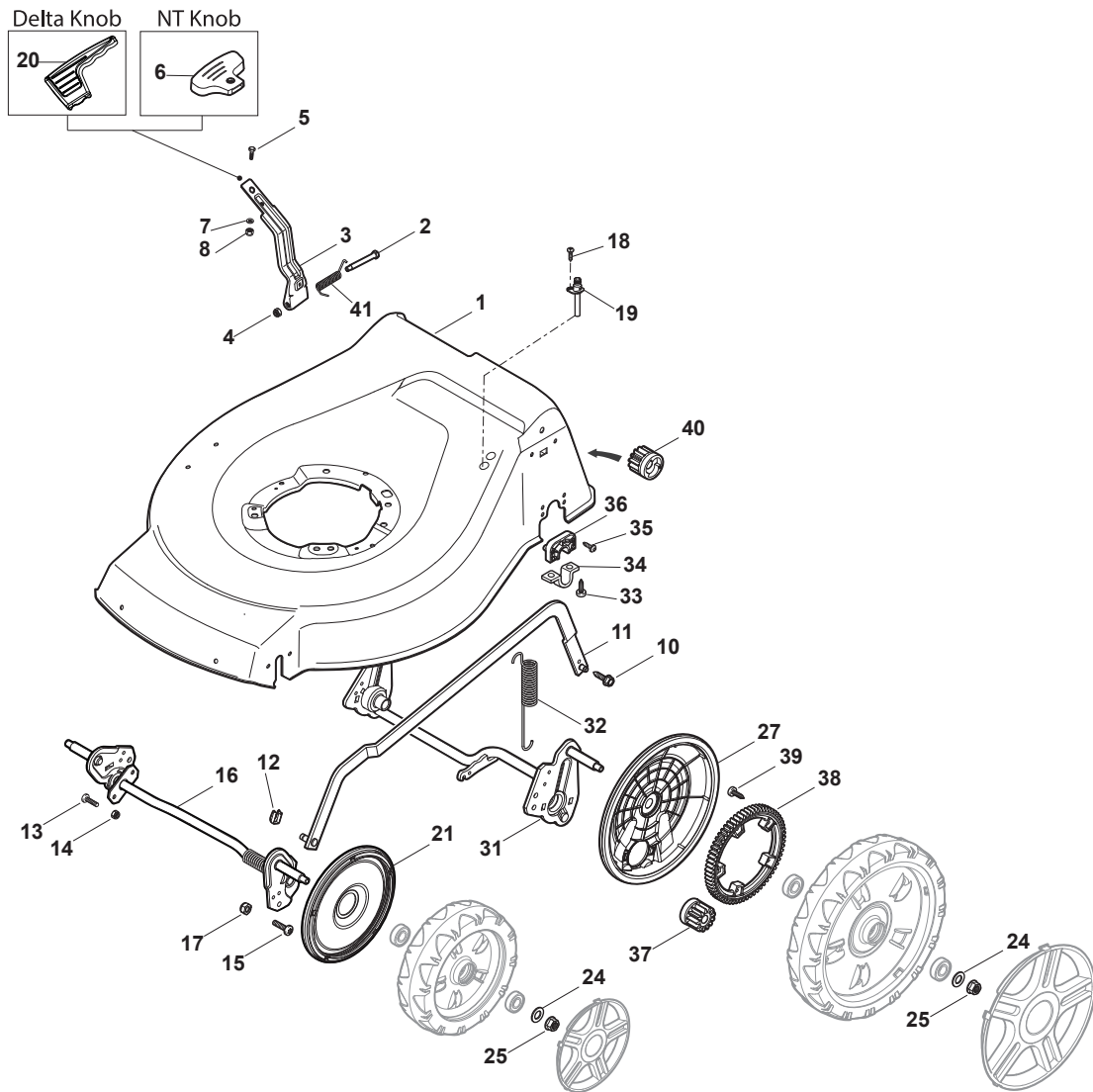
299486848/S16 - Season 2016

- Use GLOBAL GARDEN PRODUCT Genuine Spare Parts specified in the parts list for repair and/or replacement.
 - The contents described in the parts list may change due to improvement.
 - The drawings of the spare parts are only indicative and might not represent the part in question exactly.
 - The indications "right" - "left" - "front" - "rear" refer to the position of the operator when using the machine.
- When placing orders of parts for repair and/or replacement, make sure that the illustrated parts list is the one applying to the machine's year of manufacture, as shown on the identification plate attached to the machine.

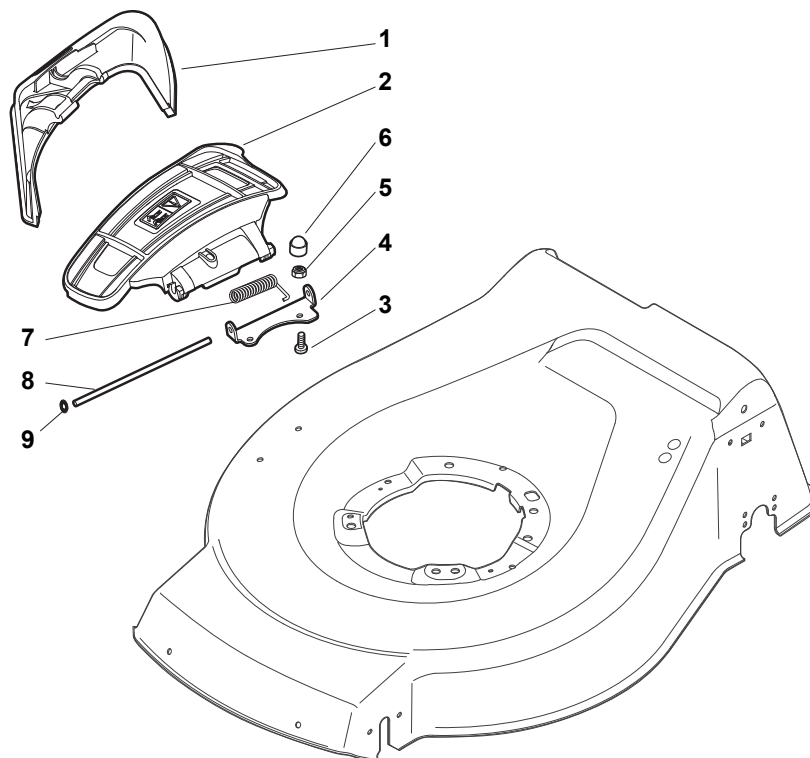
© Copyright 2016 Global Garden Products

All rights reserved. No part of this material may be reproduced or transmitted, in any form or by any means, electronic or mechanical, including photocopying, recording or by any information storage and retrieval system, without permission in writing from GLOBAL GARDEN PRODUCTS.

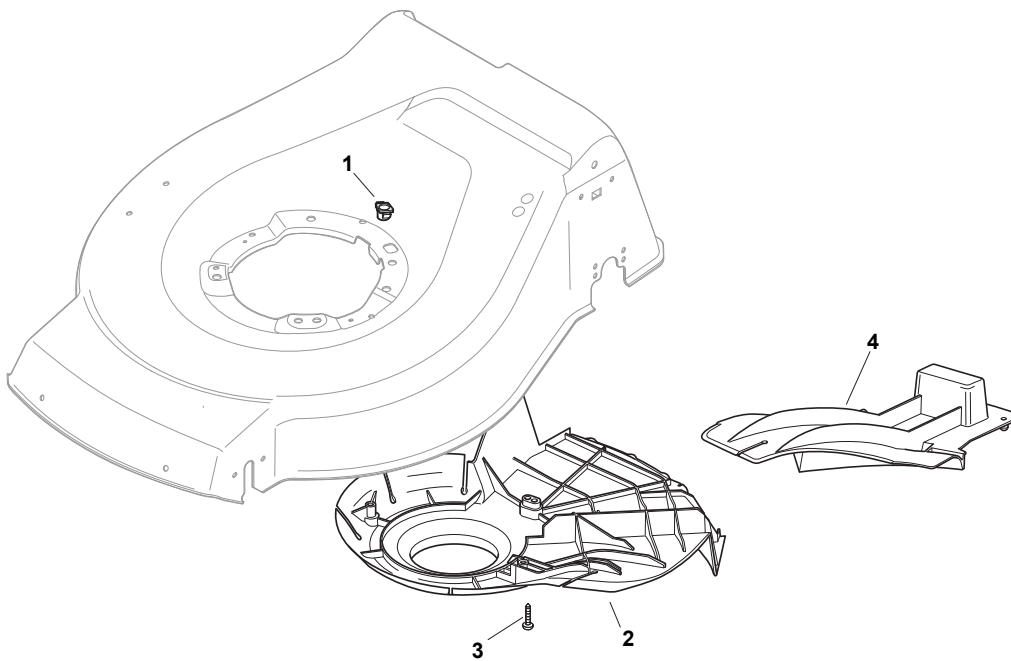
www.stiga.com



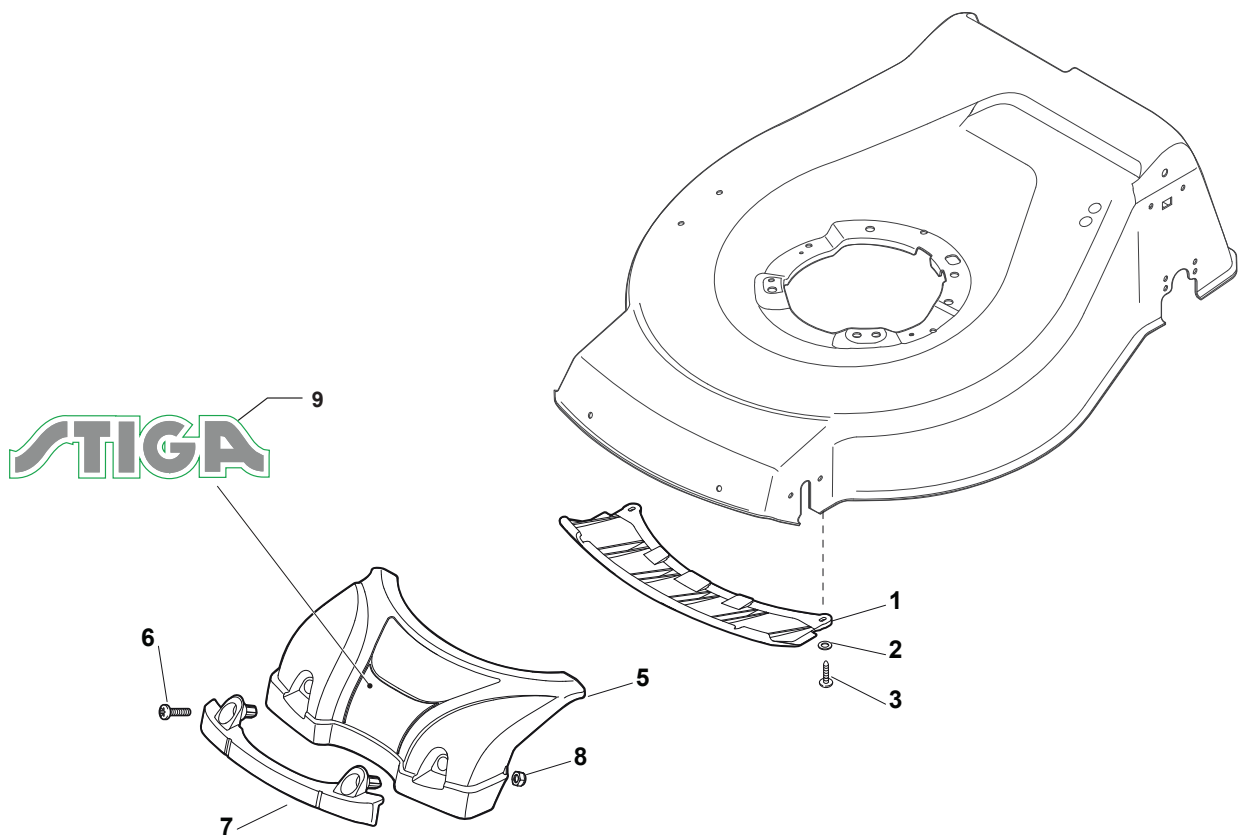
Utgåva Issue 2 - 2016		Kapa och höjdställning		Deck And Height Adjusting	
Pos. Fig.	Antal Q.ty	Art nr Part No	Benämning	Description	Anmärkning Notes
1	1	381004731/0	Chassi-gra	Grey Deck	
2	1	122534131/0	Stift	Pin	
3	1	381003398/0	Höjdställningsspak	Lever, Height Adjustment	
4	1	112154510/0	Mutter	Nut	
5	1	112788512/0	Skruv	Screw	
6	1	322394503/0	Knopp.Kontroll.Spak Svart.	Knob	NT Knob
7	1	112521310/0	Bricka	Washer	
8	1	112150000/0	Mutter	Nut	
10	1	122943013/0	Skruv	Screw	
11	1	381002030/0	Höjdställningsstag	Rod, Height Adjustment	
12	1	112436051/0	Plat	Plate	
13	3	112727803/0	Skruv	Screw	
14	3	112154510/0	Mutter	Nut	
15	1	112727801/0	Skruv	Screw	
16	1	381002883/1	Hjulaxel-fram	Front Wheel Axle	
17	1	112154510/0	Mutter	Nut	
18	1	112728450/0	Skruv	Screw	
19	1	322034002/0	Tvättanslutning Nt (Svart)	Washing Connection	
20	1	322394522/0	Knopp.Kontroll.Spak Svart.	Knob	Delta Knob
21	2	322600145/0	Hjulskydd	Protection, Wheel	
24	4	112521350/0	Bricka	Washer	
25	4	112155000/0	Mutter	Nut	
27	2	322600208/0	Hjulskydd	Protection, Wheel	
31	1	381302835/1	Hjulaxel-bakre	Axle, Rear Wheels	
32	1	122450460/0	Fjäder	Spring	
33	4	112728697/0	Skruv	Screw	
34	2	322545152/0	Plat	Plate	
35	4	112728697/0	Skruv	Screw	
36	2	322785304/1	Fäste	Support	
37	1	122570134/0	Drev	Left Pinion	
38	2	322120115/0	Drev	Wheels Crown	
39	6	112728706/0	Skruv	Screw	
40	1	122570133/0	Drev	Right Pinion	
41	1	122446192/0	Fjäder	Spring	



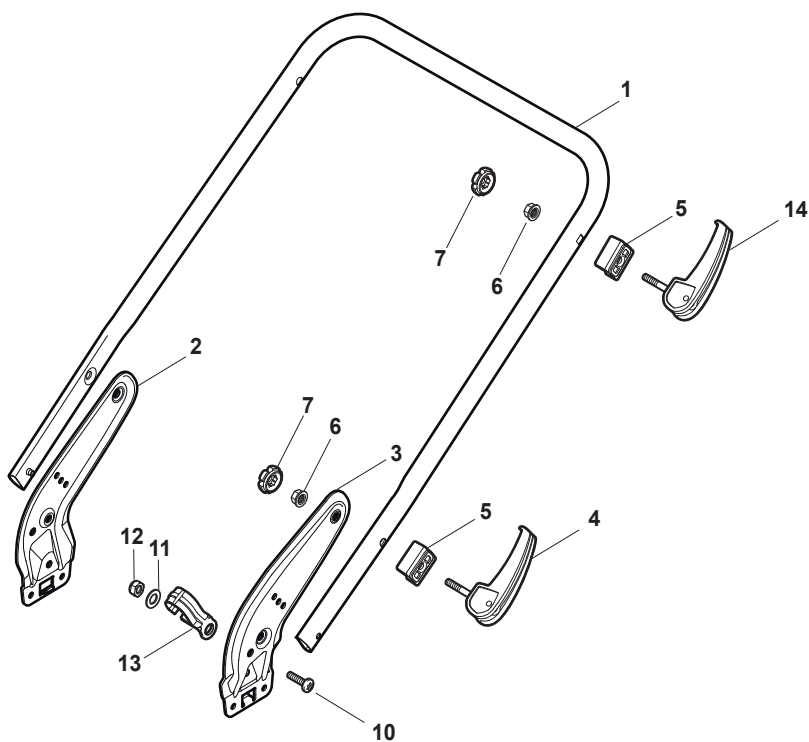
Utgåva Issue 2 - 2016		Utkastskydd Ejection-Guard			
Pos. Fig.	Antal Q.ty	Art nr Part No	Benämning	Description	Anmärkning Notes
8	1	122517869/1	Stift	Pin	
1	1	322108295/1	Utkastskydd	Side Ejection Conveyor	
2	1	322600313/0	Utkastskydd	Ejection Guard	
3	2	112727803/0	Skruv	Screw	
4	1	322806639/0	Fäste	Fulcrum Pin	
5	2	112154510/0	Mutter	Nut	
6	2	118203853/0	Lock	Cap	
7	1	122450456/0	Fjäder	Spring	
9	2	112604896/0	Starlock P6493 6	Crown Fastener	



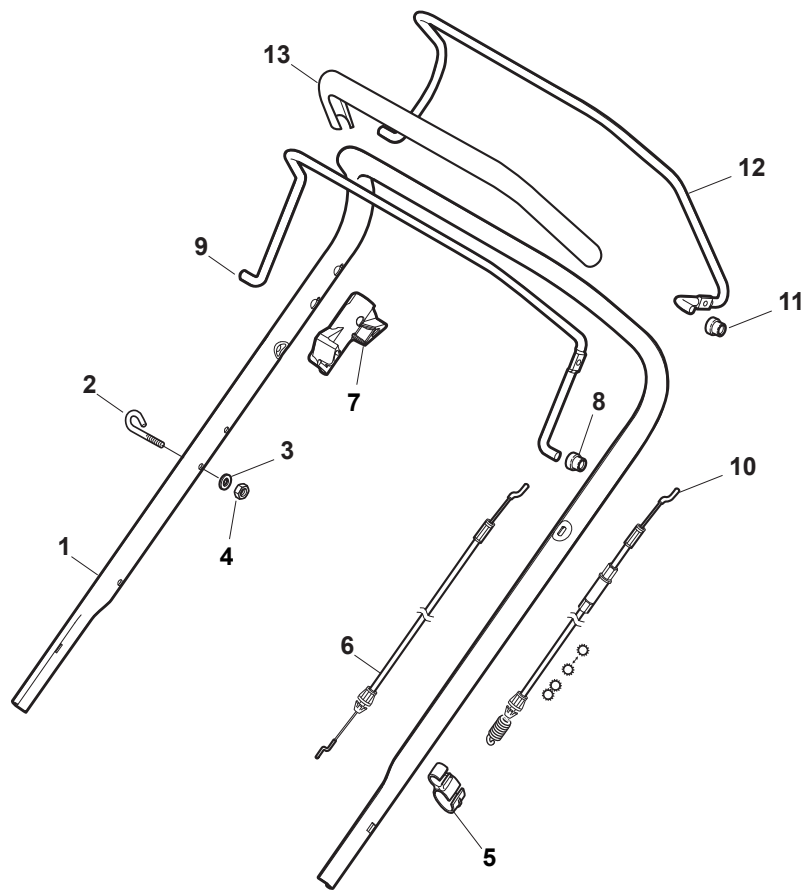
Utgåva Issue 2 - 2016		Remskydd Protection, Belt			
Pos. Fig.	Antal Q.ty	Art nr Part No	Benämning	Description	Anmärkning Notes
1	1	322291150/0	Gummihylsa	Rubber Insert	
2	1	322060198/1	Remskydd	Belt Protection	
3	3	112728531/1	Skruv	Screw	
4	1	322140223/0	Mulchplugg	Deflector	



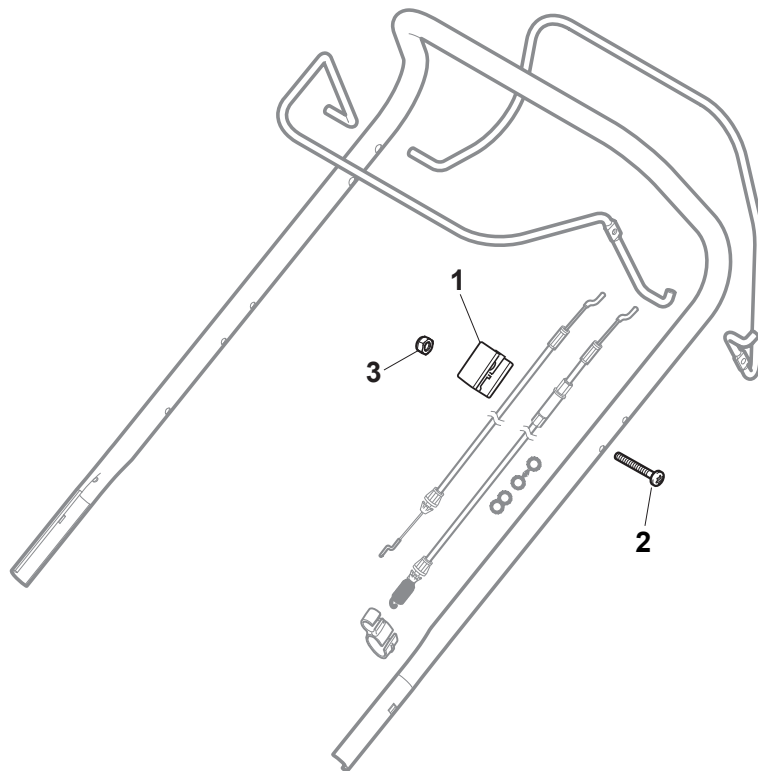
Utgåva Issue 2 - 2016		Mask			
Pos. Fig.	Antal Q.ty	Art nr Part No	Benämning	Description	Anmärkning Notes
1	1	322500102/0	Front	Front Combi	
2	2	112523000/1	Bricka	Washer	
3	2	112728124/0	Skruv	Screw	
5	1	322226195/0	Front Stiga Nt48 gra Ncs S8000-N	Mask, Grey	
6	2	112727799/0	Skruv	Screw	
7	1	322393639/0	Handtag, främre Gra Ral9022 Ntd	Handle, Grey	
8	2	112154510/0	Mutter	Nut	
9	1	114367494/2	Dekal STIGA logo	Label STIGA logo	



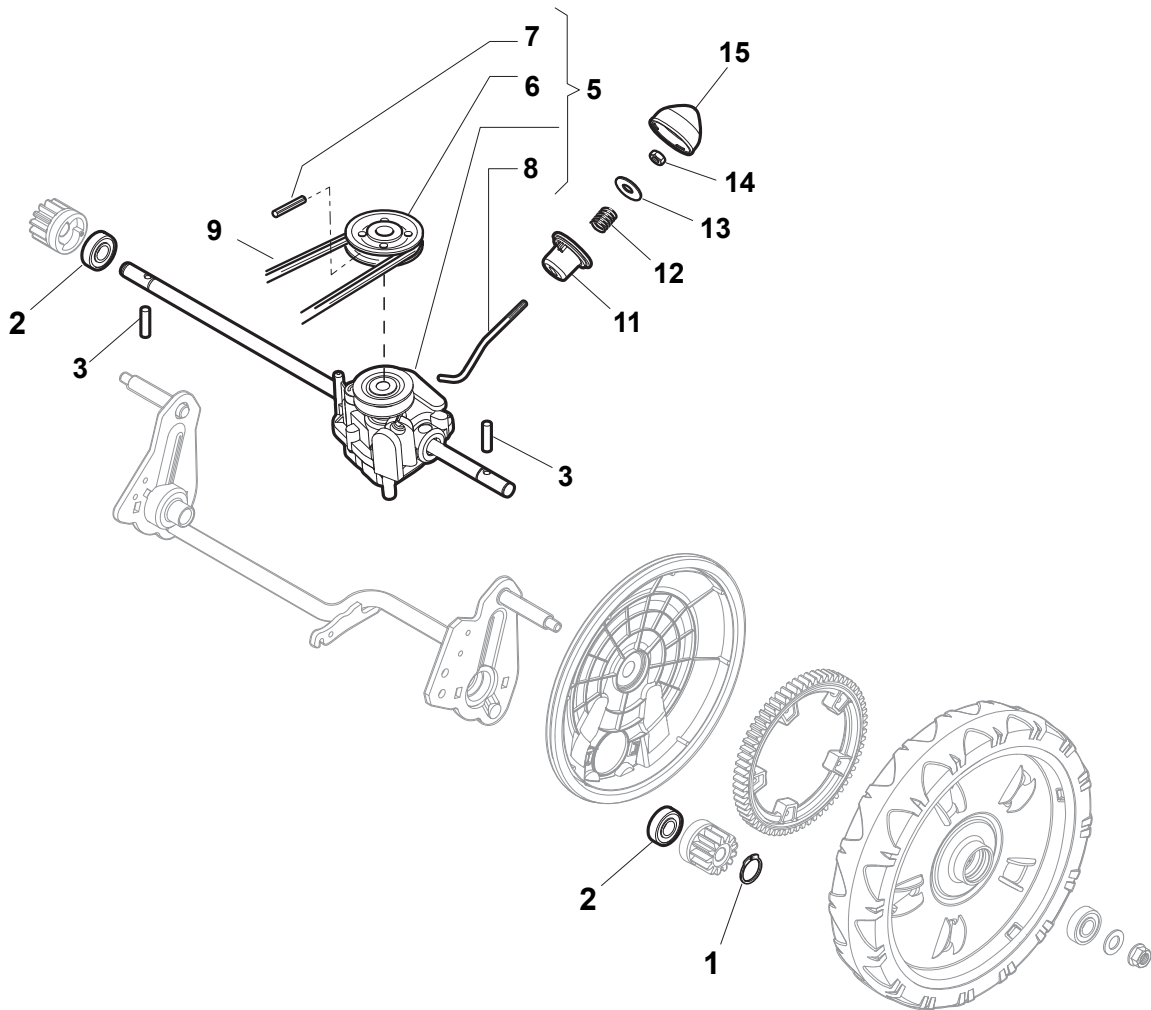
Utgåva Issue 2 - 2016		Reglage, nedre Handle, Lower Part			
Pos. Fig.	Antal Q.ty	Art nr Part No	Benämning	Description	Anmärkning Notes
2	1	381005185/0	Fäste-hö	Right Bracket	Stiga Grey
3	1	381005187/0	Fäste-vä	Left Bracket	Stiga Grey
1	1	381007539/0	Reglage, nedre Gul	Handle, Lower Part Yellow	
4	4	381003253/0	övre Lock Handtag Spak Ntd	Handle	
5	4	322680016/0	Bricka	Washer	
6	4	122131750/0	Mutter	Nut	
7	4	322399835/0	Handtagsknopp	Knob	
10	2	112760605/0	Skruv	Screw	
11	2	125038002/1	Bussning	Bushing	
12	2	112155000/0	Mutter	Nut	
13	1	322192156/0	Fairlead HallareKlämma	Clip	
14	2	381103350/0	Lashandtag	Handle	



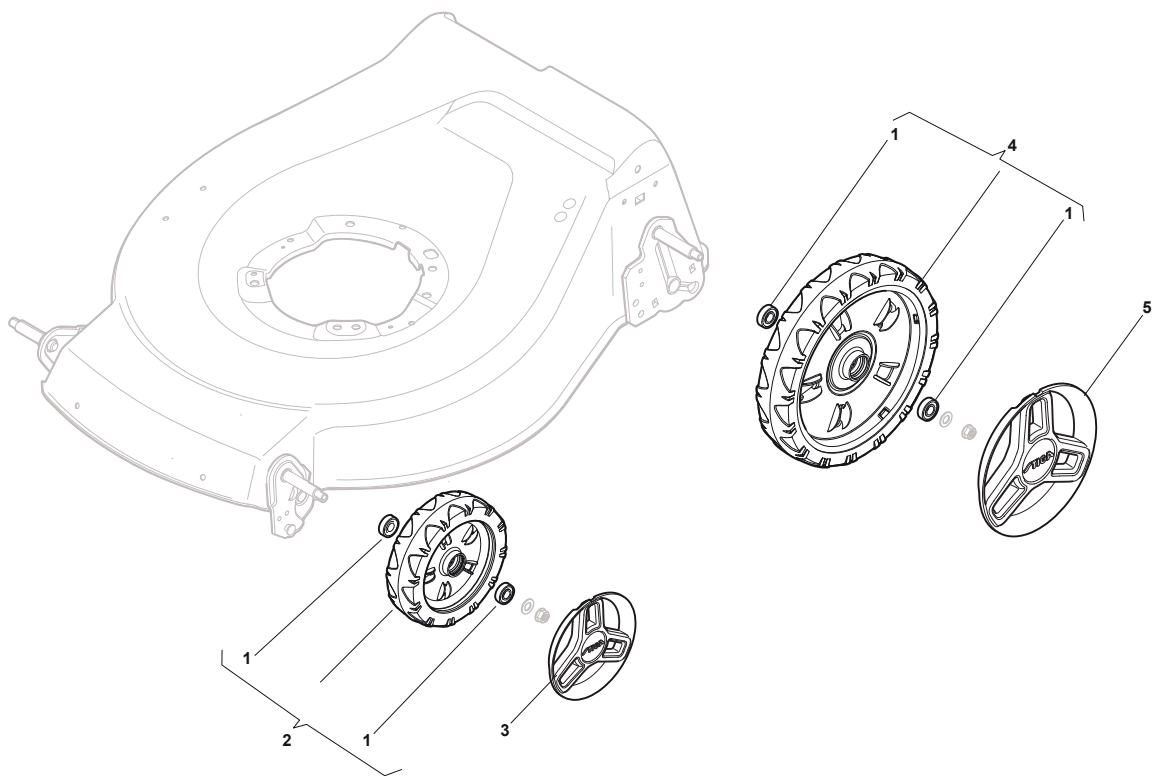
Utgåva Issue 2 - 2016		Reglage, övre Handle, Upper Part			
Pos. Fig.	Antal Q.ty	Art nr Part No	Benämning	Description	Anmärkning Notes
1	1	381007540/0	Handtag, övre Gul	Handle, Upper Part Yellow	(for NT Throttle or DELTA Dashboard)
2	1	122430313/0	Fjäder	Guide Spring	
3	1	112521330/0	Bricka	Washer	
4	1	112154510/0	Mutter	Nut	
5	1	118390020/0	Vajerhallare	Conduit Clip	
6	1	181030054/0	Motorbromswire	Cable, Thread Engine Brake	SV40 / RV 40 / V35 / WBE140 Engine
7	1	322545204/0	Vridpunkt	Fulcrum Pin	
8	1	122041966/0	Bussning	Bushing	
9	1	181003300/1	Reglagebygel	Lever, Engine Brake	
10	1	381030092/1	Växelkabel	Cable Rear Drive	
11	1	122041966/0	Bussning	Bushing	
12	1	181003301/0	Spak Handtag	Drive Control Lever	
13	1	122291050/0	Handtag, svart	Handgrip Black	



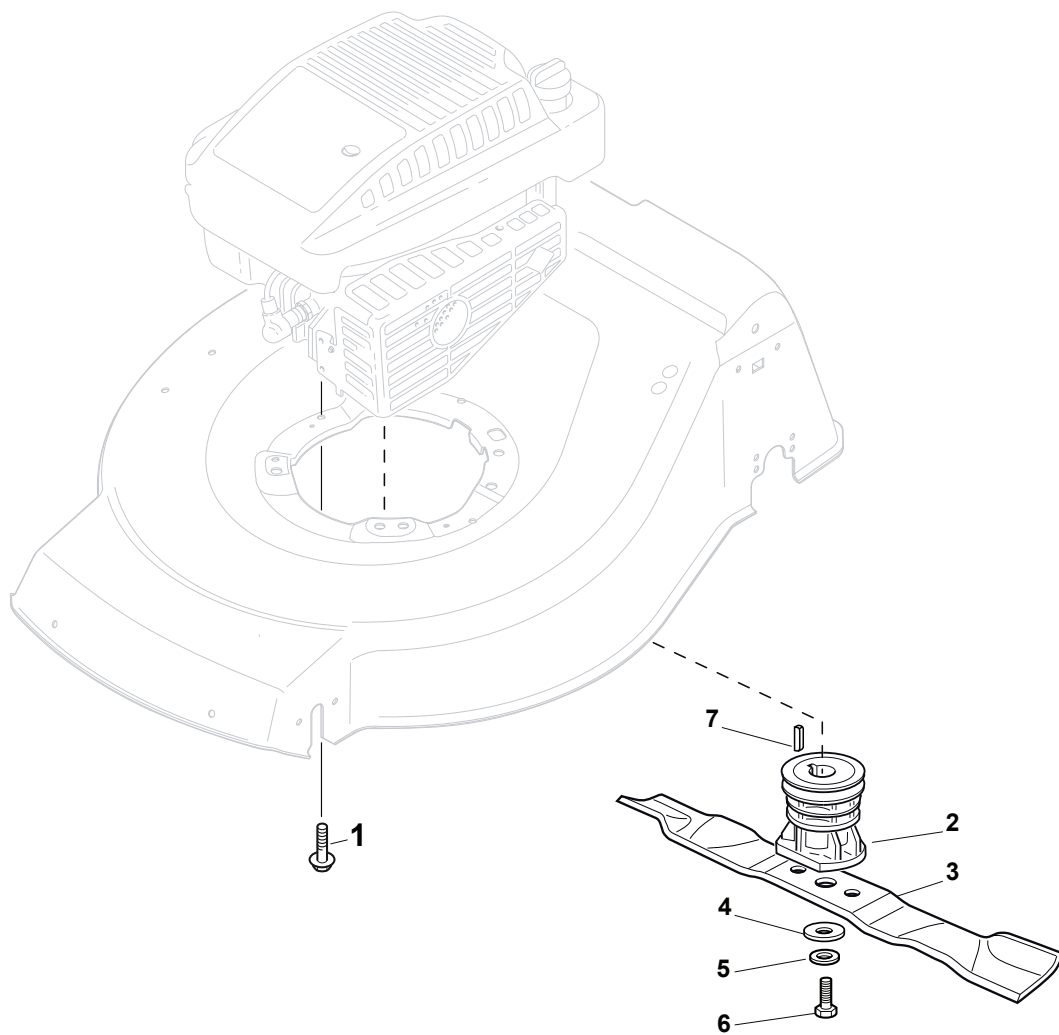
Utgåva Issue 2 - 2016		Reglage Controls Fixed RPM			
Pos. Fig.	Antal Q.ty	Art nr Part No	Benämning	Description	Anmärkning Notes
1	1	112154510/0	Mutter	Nut	
2	1	322551640/0	Plat	Plate	
3	1	112154510/0	Mutter	Nut	



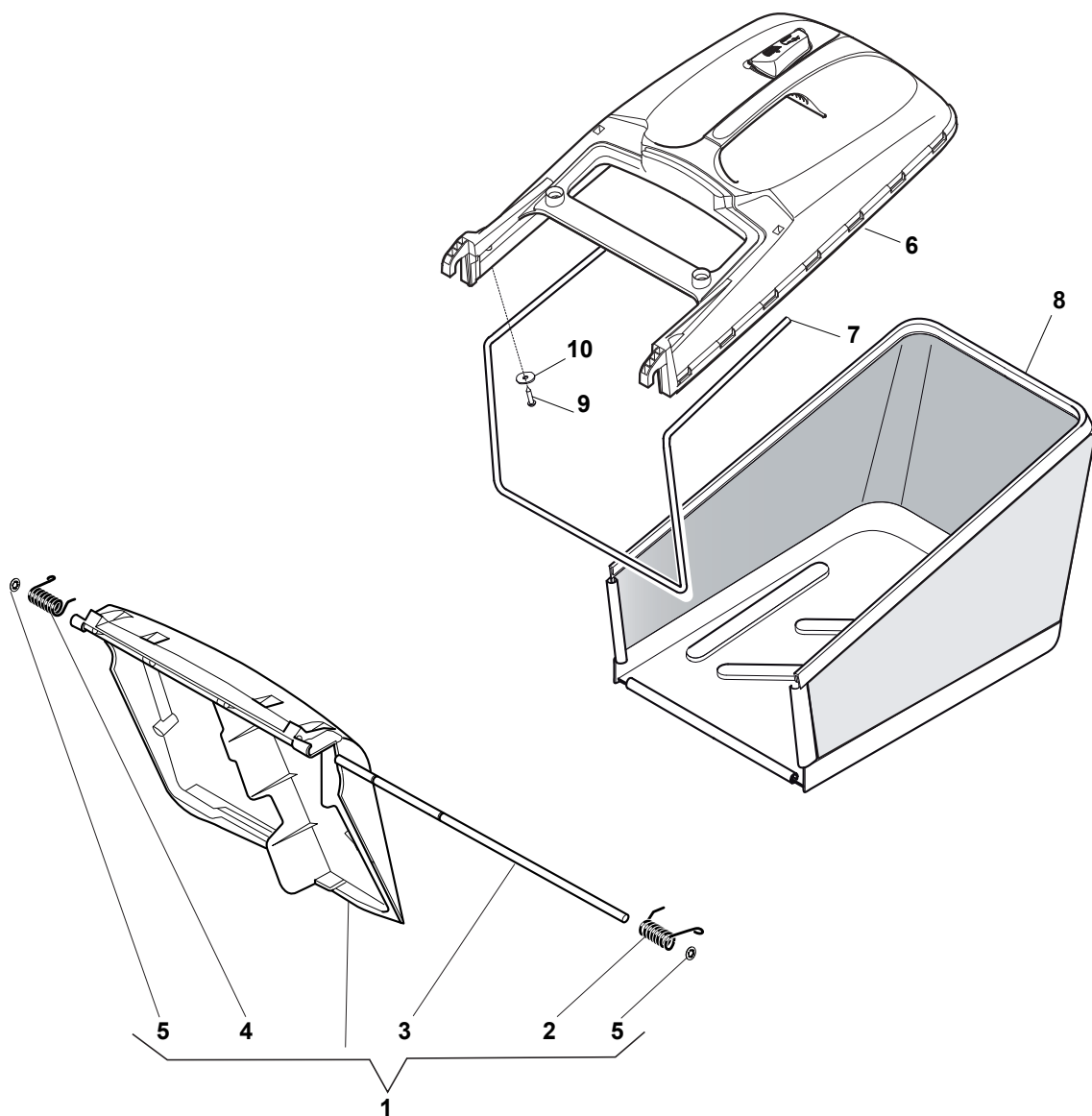
Utgåva Issue 2 - 2016		Bakhjulsdrivning		Transmission	
Pos. Fig.	Antal Q.ty	Art nr Part No	Benämning	Description	Anmärkning Notes
6	1	122601909/0	Remskiva	Pulley	
1	2	112608600/0	Segersäkringsåkring Sga12	Seeger	
2	2	119216035/0	Lager	Bearing	
3	2	122753000/0	Spännstift	Pin	
5	1	181003076/1	Transmission	Gear Box	
7	1	112645700/0	Spännstift	Elastic Pin	
8	1	122033283/0	Justerstang	Adjustment Rod	
9	1	135063800/0	Drivrem	Trapezoidal Belt	
11	1	122041957/1	Bussning	Bushing	
12	1	122450063/0	Fjäder	Spring	
13	1	322680009/0	Bricka	Washer	
14	1	112154510/0	Mutter	Nut	
15	1	122110230/0	Navkapsel	Hub Cover	



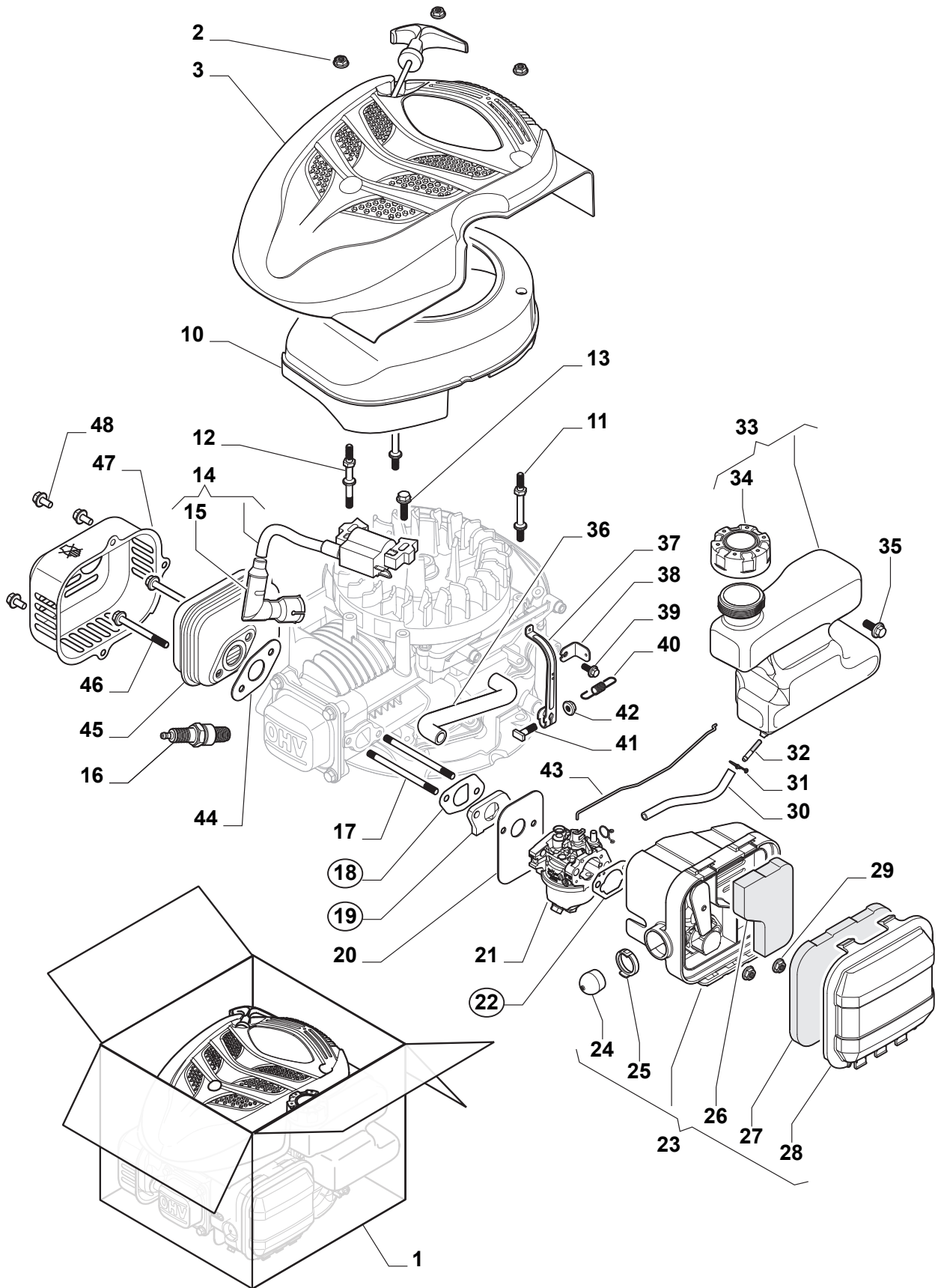
Utgåva Issue 2 - 2016		Hjul och navkapsel Wheels and Hub Caps			
Pos. Fig.	Antal Q.ty	Art nr Part No	Benämning	Description	Anmärkning Notes
1	8	119216035/0	Lager	Bearing	
2	4	381007416/2	Hjul	Wheel	
3	2	322110755/0	Navkapsel Gra	Hub Cap Grey	
4	2	381007417/2	Hjul	Wheel	
5	2	322110746/0	Navkapsel	Hub Cap Grey	



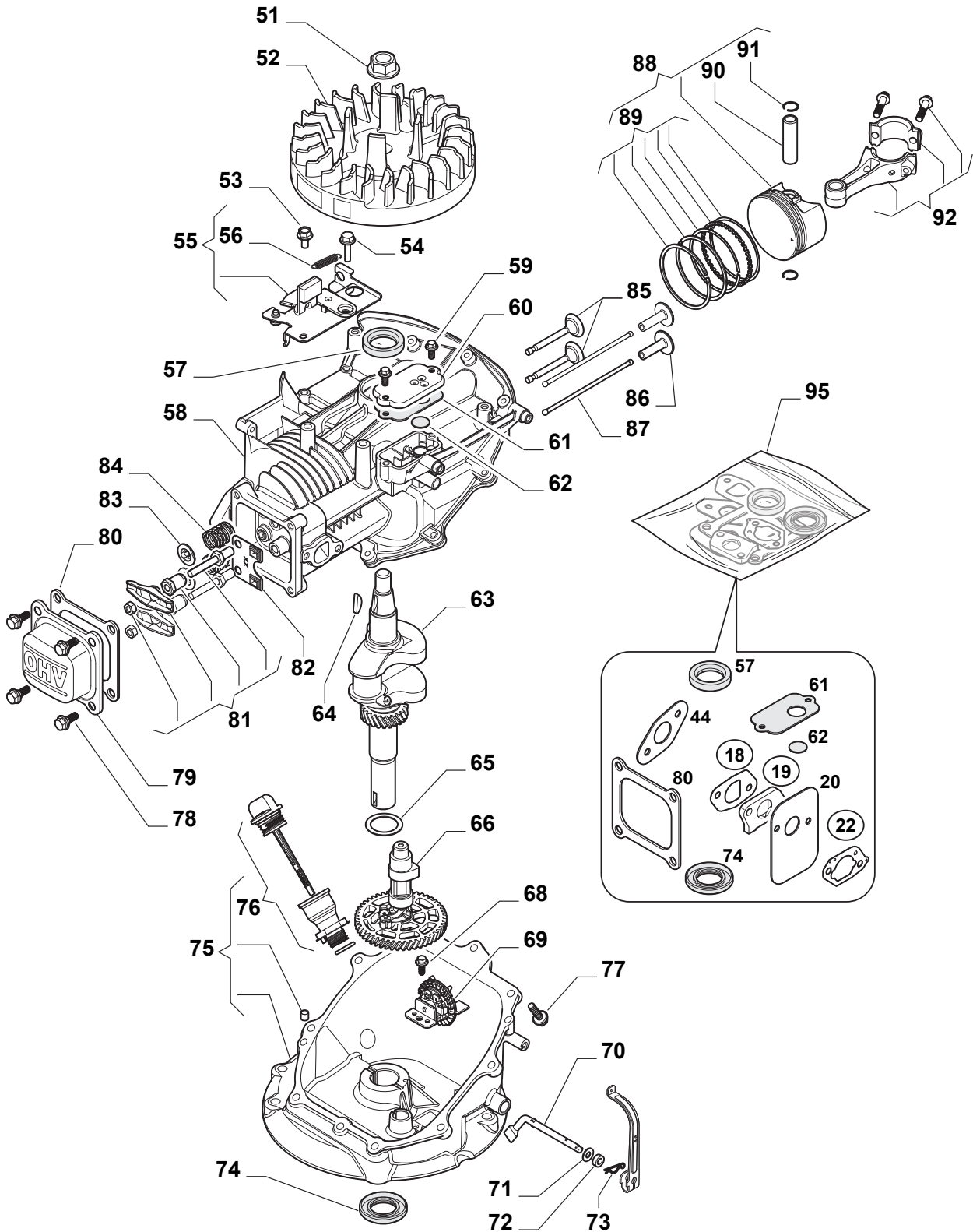
Utgåva Issue 2 - 2016		Kniv Blade			
Pos. Fig.	Antal Q.ty	Art nr Part No	Benämning	Description	Anmärkning Notes
1	3	112735108/1	Skruv	Screw	
2	1	122465607/3	Knivfäste D22,2	Hub With Pulley, Crankshaft Ø 22.2	
3	1	181004458/0	Mulcherkniv	Mulching Blade	
4	1	122160400/0	Fjäderbricka	Elastic Disc	
5	1	112523080/0	Bricka	Washer	
6	1	112735698/0	Skruv	Screw	
7	1	112139100/0	Kil	Key	



Utgåva Issue 2 - 2016		Gräsuppsamlare Grass-Catcher			
Pos. Fig.	Antal Q.ty	Art nr Part No	Benämning	Description	Anmärkning Notes
6	1	381486030/0	Uppsamlare-överdel	Grass-Box, Upper Part	Grey
1	1	381008082/2	Lucka-gul	Stone Guard, Yellow	Yellow
2	1	122450466/0	Fjäder	Left Spring	
3	1	122517882/0	Stift	Pin	
4	1	122450465/0	Fjäder	Right Spring	
5	2	112604899/0	Starlock P6704 8 Fz	Crown Fastener	
7	1	122608525/1	Tradbygel	Stiffening Lower	
8	1	181002211/0	Uppsamlingsäck	Box, Fabric	
9	2	112728680/0	Skruv	Screw	
10	2	112523050/0	Bricka	Washer	



Utgåva Issue 2 - 2016					
Pos. Fig.	Antal Q.ty	Art nr Part No	Benämning	Description	Anmärkning Notes
1	1	118550941/0	Motor Kpl	Engine Assembled	
2	3	12292102/0	Mutter M6Mf Tensilock M6	Nut	
3	1	118550909/0	Start kpl	Starter Assy	
10	1	118550908/0	Luftledare	Air Guide	
11	2	118550907/0	Stift	Pin	
12	1	118550906/0	Stift	Pin	
13	1	112791500/0	Skruv	Screw	
14	1	118550901/0	Elektronikspole	Elettronic Coil	
15	1	118550942/0	Tändstiftshatt	Spark Plug Terminal	
16	1	9400-0244-00	Tändstift	Spark Plug	
17	2	118550930/0	Harnalssprintnbult	Stud Bolt	
18	1	118550929/0	Packning	Gasket	
19	1	118550928/0	Packning	Insulator, Carburettor	
20	1	118550927/0	Packning	Gasket	
21	1	118550926/0	Förgasare Kpl	Carburettor	
22	1	118550924/0	Packning	Gasket	
23	1	118550921/0	Luftfilter kpl	Air Cleaner Assy	
24	1	118550923/0	Luftreningspump	Air Purge Pump	
25	1	118550922/0	Luftreningspump Stop	Air Purge Pump Stop	
26	1	118550946/0	Luftfilter	Air Filter	
27	1	118550945/0	Luftfilter	Air Filter	
28	1	118550944/0	Luftfilterkapa	Air Cleaner Cover	
29	2	12292102/0	Mutter M6Mf Tensilock M6	Nut	
30	1	118550919/0	Bränsleslang	Fuel Pipe	
31	2	118550918/0	Kabelhallare	Pipe Clip	
32	1	118550314/0	Bränslefilter	Fuel Filter	
33	1	118550917/0	Bränsletank	Tank	
34	1	118550943/0	Tanklock	Fuel Cap	
35	2	112792099/0	Skruv	Screw	
36	1	118550920/0	Ventilationsslang	Breather Fule Pipe	
37	1	118550933/0	Stöd	Arm Governor	
38	1	118550931/0	Plat	Plate	
39	1	112789000/0	Skruv	Screw	
40	1	118550932/0	Fjäder	Spring	
41	1	118550805/0	Skruv	Screw	
42	1	118550806/0	Mutter	Nut	
43	1	118550925/0	Regulatorstang	Governor Link	
44	1	118550898/0	Ljuddämparpackning	Gasket, Muffler	
45	1	118550899/0	Ljuddämpare	Muffler	
46	2	112792425/0	Skruv	Screw	
47	1	118550900/0	Ljuddämparskydd	Muffler Guard	
48	3	112791011/0	Skruv	Screw	



Utgåva Issue 2 - 2016					
Pos. Fig.	Antal Q.ty	Art nr Part No	Benämning	Description	Anmärkning Notes
18	1	118550929/0	Packning	Gasket	
19	1	118550928/0	Packning	Insulator, Carburettor	
20	1	118550927/0	Packning	Gasket	
44	1	118550898/0	Ljuddämparpackning	Gasket, Muffler	
51	1	118550336/0	Mutter	Nut	
52	1	118550905/0	Svänghjul kpl	Flywheel Ass.Y	
53	1	112791011/0	Skruv	Screw	
54	1	112791500/0	Skruv	Screw	
55	1	118550938/0	Svänghjulsbroms	Flywheel Brake/Stop Switch Assy	
56	1	118550911/0	Fjäder	Spring	
57	1	118550300/0	Tätningring	Oil Seal	
58	1	118550897/0	Cylinder kpl	Cylinder Assy	
59	2	112789000/0	Skruv	Screw	
60	1	118550904/0	Kapa	Cover	
61	1	118550903/0	Packning	Gasket, Breath Groove	
62	1	118550902/0	Ventil	Valve	
63	1	118550889/0	Vevaxel Kpl	Crankshaft	
64	1	118550288/0	Woodruffkil	Woodruff Key	
65	1	118550283/0	Bricka	Washer	
66	1	118550890/0	Kamaxel	Camshaft Assy	
68	1	112789000/0	Skruv	Screw	
69	1	118550888/0	Regulator Kpl	Speed Governor Assy	
70	1	118550936/0	Regulatoraxel	Shaft, Governor Arm	
71	1	118550666/0	Bricka	Washer	
72	1	118550935/0	Tätningring	Oil Seal	
73	1	118550934/0	Harnalsprint	Spring Pin	
74	1	118550379/0	Tätningring	Oil Seal	
75	1	118550937/0	Vevhus kapa kpl	Crankcase Cover Assy	
76	1	118550887/0	Oljesticka	Tank Cap	
77	10	112791500/0	Skruv	Screw	
78	4	112791213/1	Skruv	Screw	
79	1	118550891/0	Ventilkapa	Cover Comp., Head	
80	1	118550892/0	Packning	Packing Head Cover	
81	2	118550893/0	Vipparmsats	Valve Arm Set	
82	1	118550894/0	Plat	Plate	
83	2	118550895/0	Hallare	Retainer	
84	2	118550896/0	Fjäder	Spring	
85	1	118550910/0	Insugningsventil + Utblåsning- sventil	Valve Assy, Intake + Exhaust	
86	2	118550291/0	Ventillyftare	Valve Lifter Assy	
87	2	118550912/0	Tryckstang	Push Rod	
88	1	118550939/0	Kolv kpl	Piston Assy	
89	1	118550913/0	Kolvringssats	Piston, Ring Set	
90	1	118550915/0	Kolvsprint	Piston Pin	
91	2	118550914/0	Bricka	Washer, Piston Pin	
92	1	118550916/0	Vevstake	Connecting Rod Assy	
95	1	118550940/0	Packningssats	Engine Gasket Set	

code	pos.	q.ty	page
381007540/0	1	1	p. 13
381008082/2	1	1	p. 23
381030092/1	10	1	p. 13
381103350/0	14	2	p. 11
381302835/1	31	1	p. 3
381486030/0	6	1	p. 23