

Genuine Spare Parts

www.stiga.com

COMBI 48 SQ BW PLUS B Model Year 2010

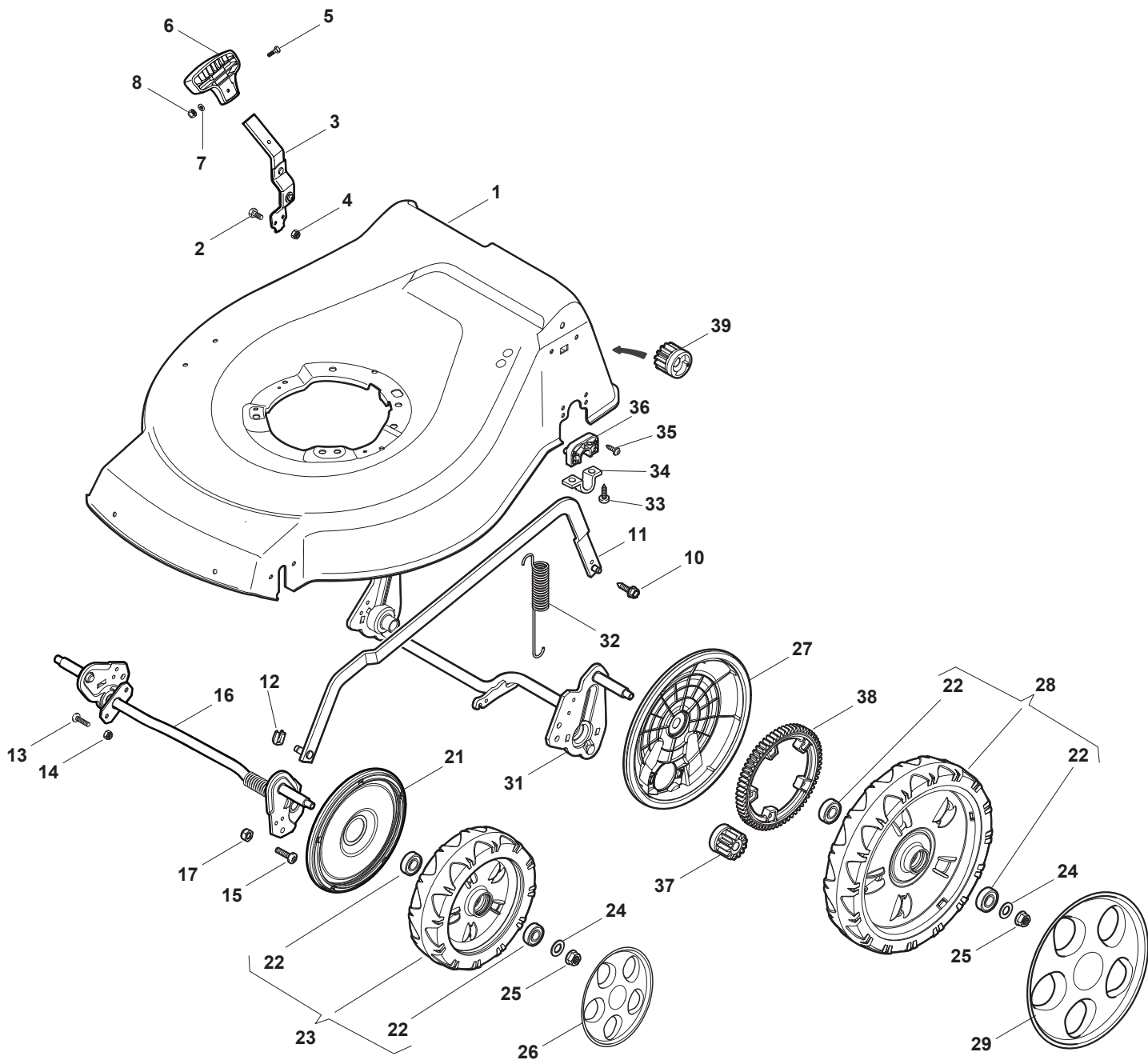
- Use GLOBAL GARDEN PRODUCT Genuine Spare Parts specified in the parts list for repair and/or replacement.
- The contents described in the parts list may change due to improvement.
- The drawings of the spare parts are only indicative and might not represent the part in question exactly.
- The indications "right" - "left" - "front" - "rear" refer to the position of the operator when using the machine.
- When placing orders of parts for repair and/or replacement, make sure that the illustrated parts list is the one applying to the machine's year of manufacture, as shown on the identification plate attached to the machine.

COPYRIGHT by GLOBAL GARDEN PRODUCTS

All rights reserved. No part of this material may be reproduced or transmitted, in any form or by any means, electronic or mechanical, including photocopying, recording or by any information storage and retrieval system, without permission in writing from GLOBAL GARDEN PRODUCTS.



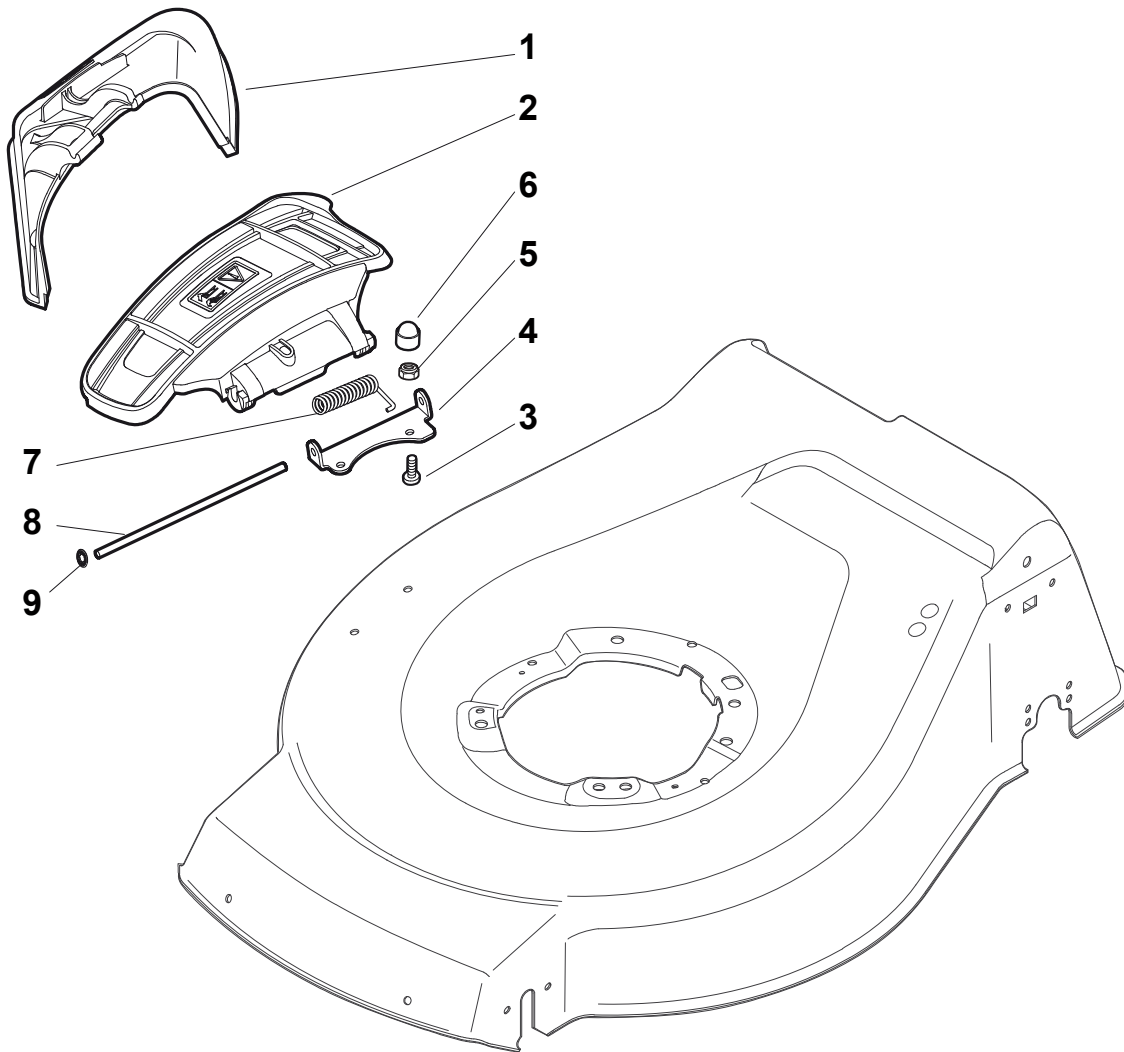
COMBI 48 SQ BW PLUS B



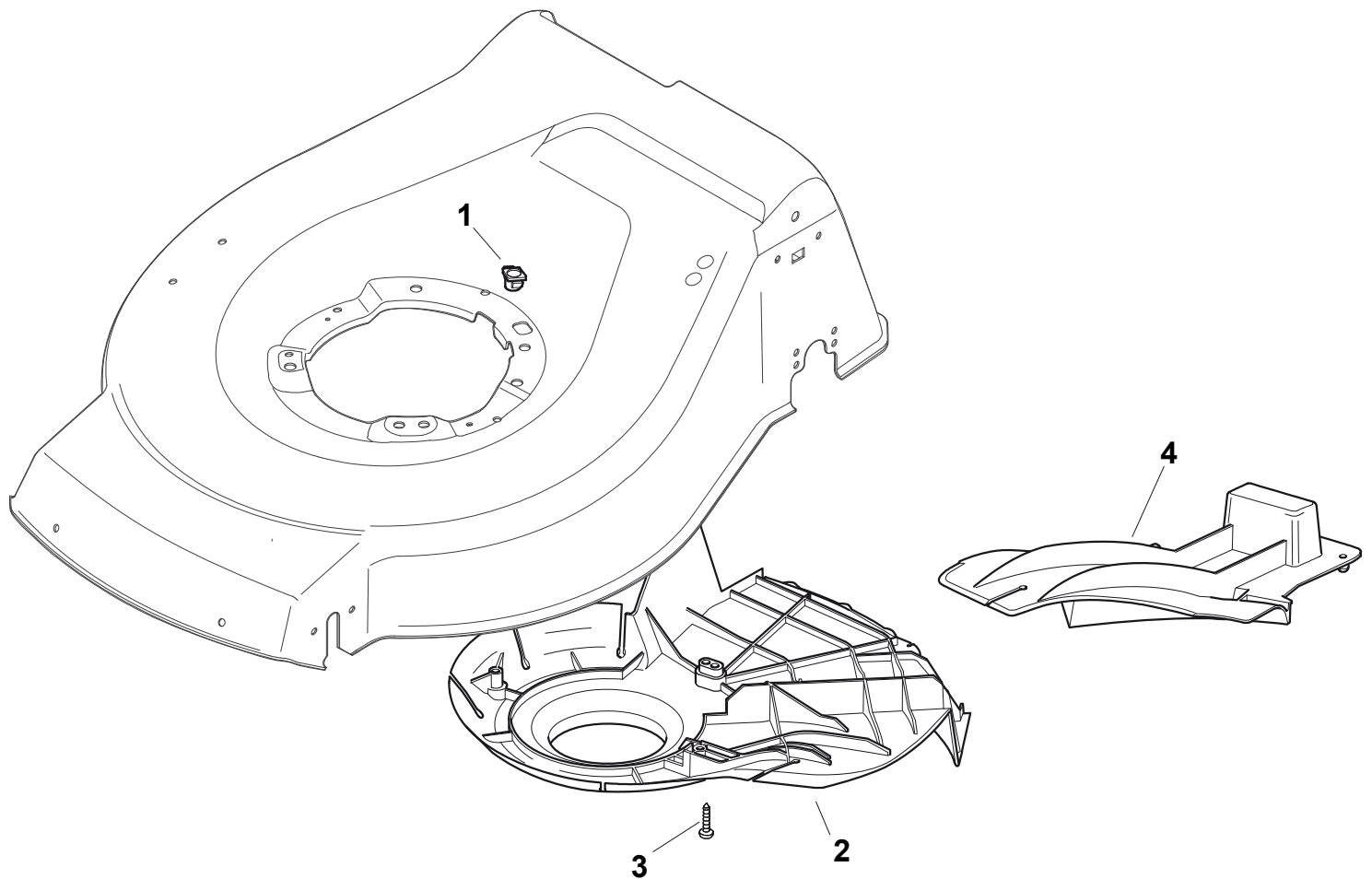


COMBI 48 SQ BW PLUS B

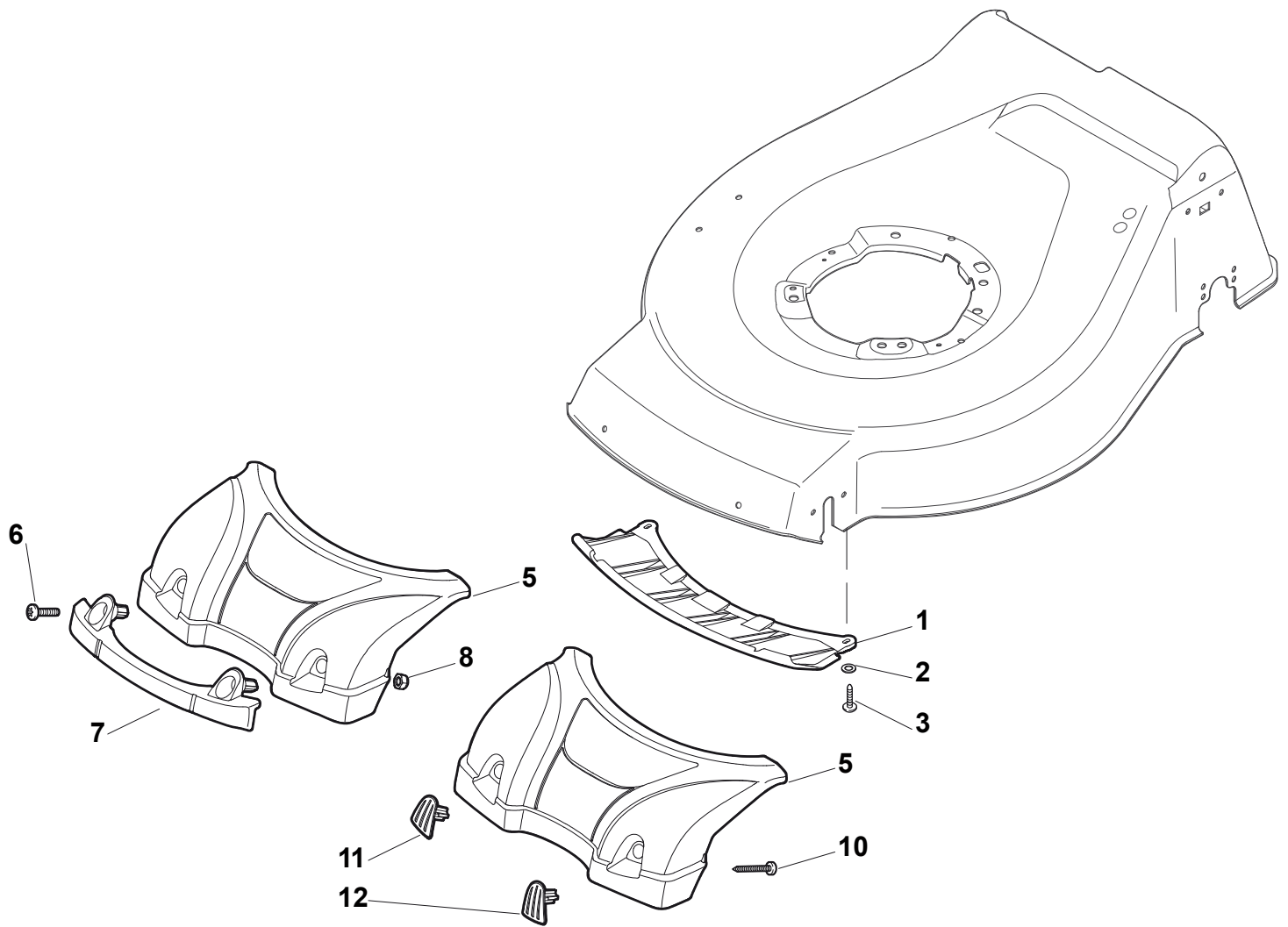
| Pos. Fig. | Antal Quantity | Art No Part No | Benämning | Description | Anmärkning Notes |
|-----------|----------------|----------------|------------------|--------------------------|------------------|
| 1 | 1 | 381003917/0 | Chassi-svart | Deck Black | 484 |
| 2 | 2 | 12789000/0 | Skruv | Screw | |
| 3 | 1 | 381003339/1 | Höjdinst.spak | Lever, Height Adjustment | |
| 4 | 2 | 12154330/0 | Mutter | Nut | |
| 5 | 1 | 12788512/0 | Skruv | Screw | |
| 6 | 1 | 322394503/0 | Knopp | Knob | |
| 7 | 1 | 12521310/0 | Bricka | Washer | |
| 8 | 1 | 12150000/0 | Mutter | Nut | |
| 10 | 1 | 122943013/0 | Skruv | Screw | |
| 11 | 1 | 381002030/0 | Höjdställn.stång | Rod, Height Adjustment | 484 |
| 12 | 1 | 112436051/0 | Plåt | Plate | |
| 13 | 3 | 112727803/0 | Skruv | Screw | |
| 14 | 3 | 12154510/0 | Mutter | Nut | |
| 15 | 1 | 112727801/0 | Skruv | Screw | |
| 16 | 1 | 381002883/0 | Hjulaxel | Axle, Front Wheels | 484 |
| 17 | 1 | 12154510/0 | Mutter | Nut | |
| 21 | 2 | 322600145/0 | Hjulskydd | Protection, Wheel | |
| 22 | 8 | 19216035/0 | Lager | Bearing | |
| 23 | 2 | 381007416/0 | Stödhjul | Wheel Ø 200 | |
| 24 | 4 | 12521350/0 | Bricka | Washer | |
| 25 | 4 | 12155000/0 | Mutter | Nut | |
| 26 | 2 | 322110595/0 | Navkapsel-gul | Hub Cap Yellow | |
| 27 | 2 | 322600194/0 | Hjulskydd | Protection, Wheel | |
| 28 | 2 | 381007417/0 | Stödhjul | Wheel Ø 280 | |
| 29 | 2 | 322110596/0 | Navkapsel-gul | Hub Cap Yellow | |
| 31 | 1 | 381002895/0 | Hjulaxel | Axle, Rear Wheels | |
| 32 | 1 | 122450460/0 | Fjäder | Spring | |
| 33 | 4 | 112728697/0 | Skruv | Screw | |
| 34 | 2 | 22545152/0 | Bygel | Plate | |
| 35 | 4 | 112728697/0 | Skruv | Screw | |
| 36 | 2 | 322785304/0 | Stöd | Support | |
| 37 | 1 | 122570134/0 | Drev vä | Pinion L | |
| 38 | 2 | 322120115/0 | Ringdrev | Ring Gear | |
| 39 | 1 | 122570133/0 | Drev hö | Pinion R | |

COMBI 48 SQ BW PLUS B


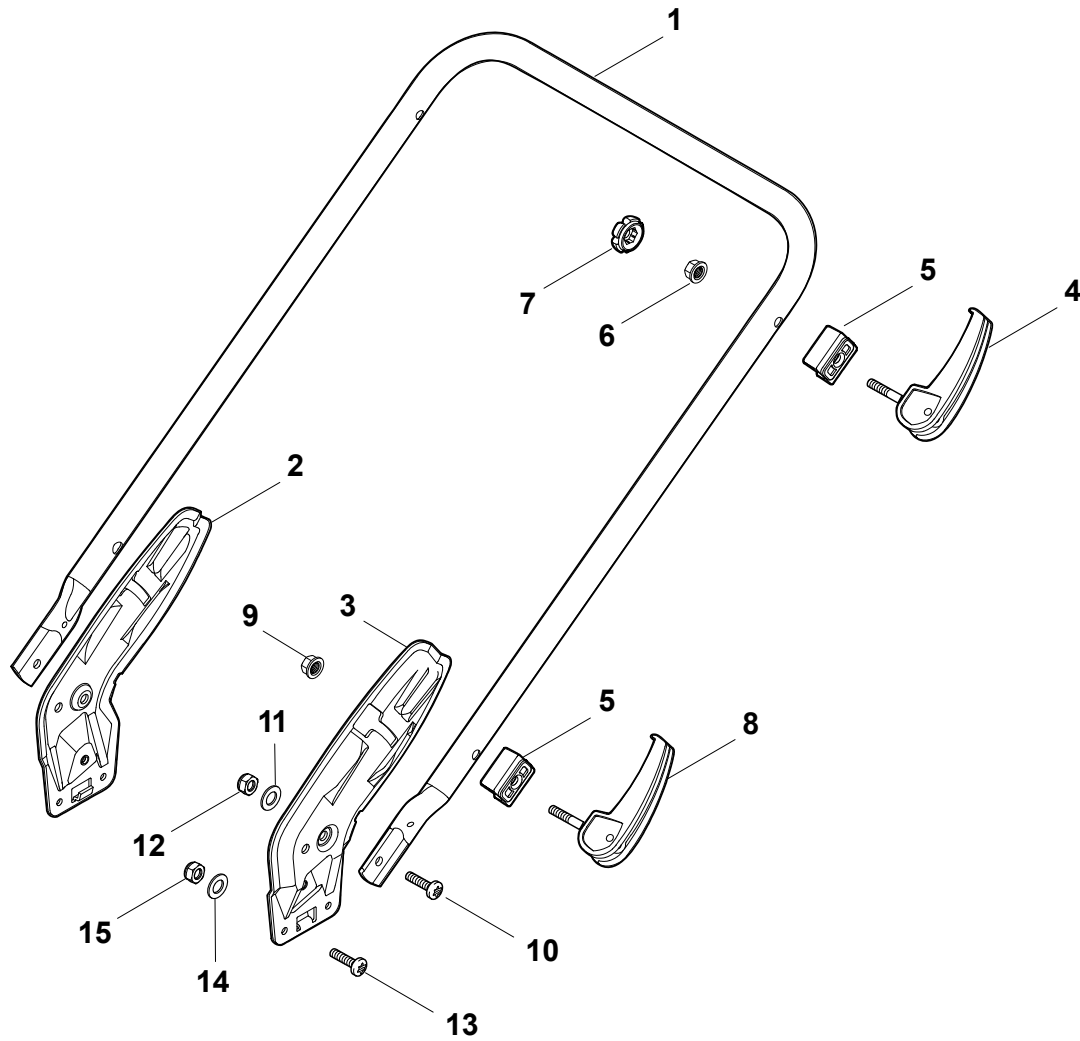
| Pos. Fig. | Antal Quantity | Art No Part No | Benämning | Description | Anmärkning Notes |
|-----------|----------------|----------------|--------------------|-----------------------|------------------|
| 1 | 1 | 322108295/0 | Output skydd | Ejection Guard, Black | |
| 2 | 1 | 322600195/0 | Output skydd-svart | Ejection Guard, Black | |
| 3 | 2 | 112727803/0 | Skruv | Screw | |
| 4 | 1 | 322806643/0 | Vridpunkt | Fulcrum Pin | |
| 5 | 2 | 12154510/0 | Mutter | Nut | |
| 6 | 2 | 18203853/0 | Tätningshylsa | Protection | |
| 7 | 1 | 122450456/0 | Fjäder | Spring | |
| 8 | 1 | 122517869/0 | Sprint | Pin | |
| 9 | 2 | 12604896/0 | Låsbricka | Snap Ring | |

COMBI 48 SQ BW PLUS B


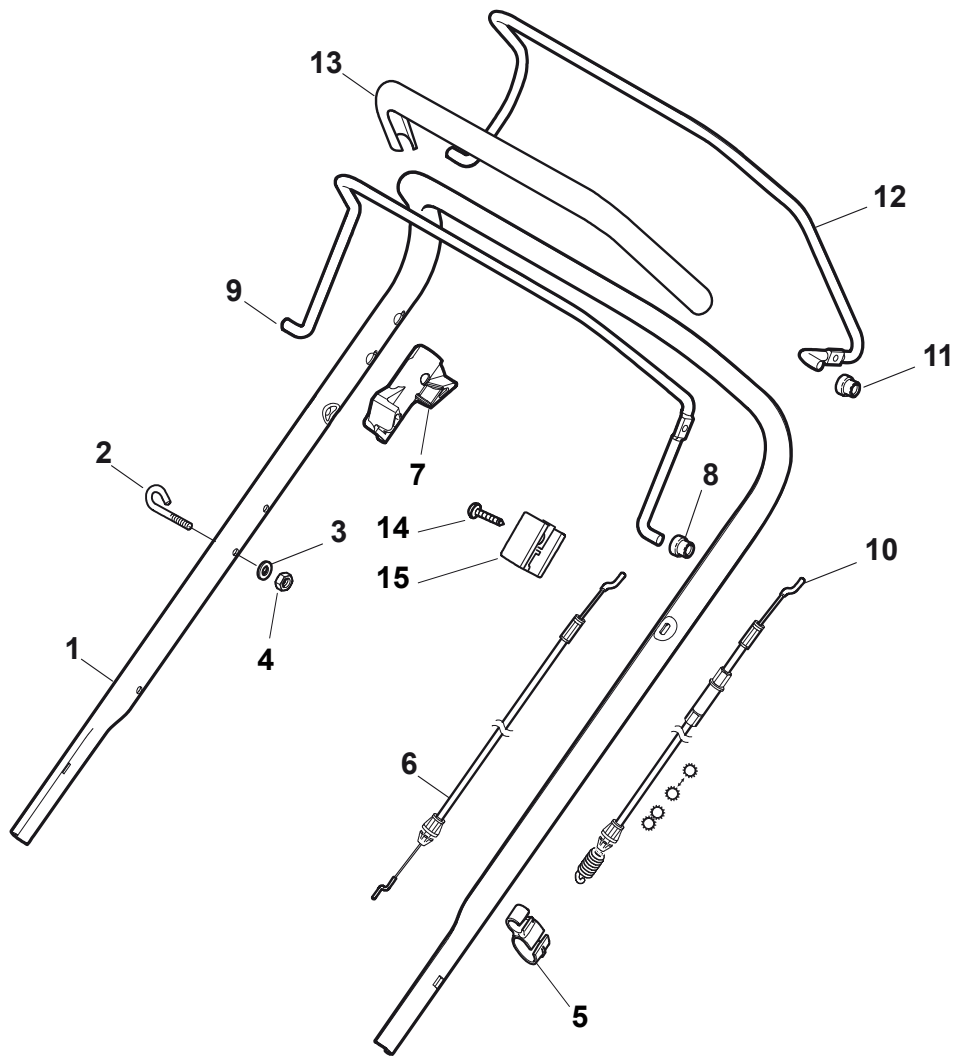
| Pos. Fig. | Antal Quantity | Art No Part No | Benämning | Description | Anmärkning Notes |
|-----------|----------------|----------------|------------|---------------|------------------|
| 1 | 1 | 22291150/0 | Gummihylsa | Rubber Insert | |
| 2 | 1 | 22060198/0 | Remskydd | Protection | |
| 3 | 3 | 12728530/0 | Skruv | Screw | |
| 4 | 1 | 22140223/0 | Mulchplugg | Deflector | |

COMBI 48 SQ BW PLUS B


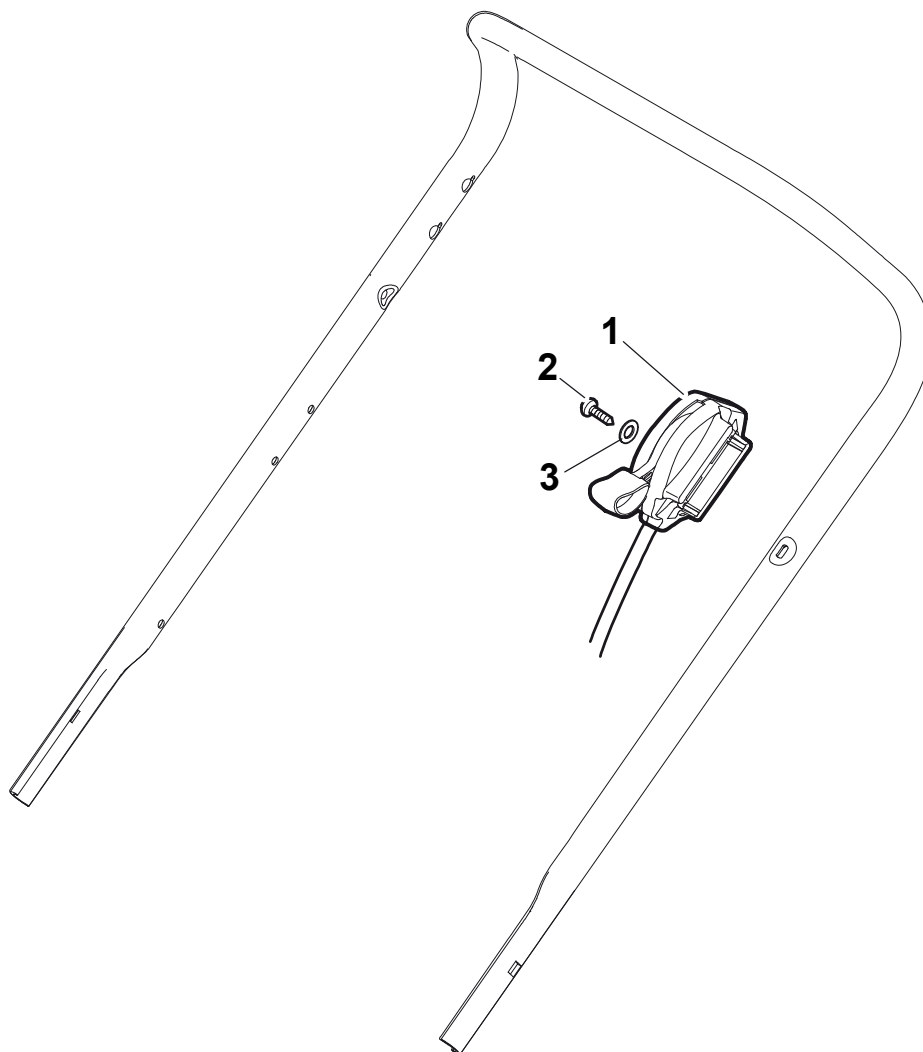
| Pos. Fig. | Antal Quantity | Art No Part No | Benämning | Description | Anmärkning Notes |
|-----------|----------------|----------------|------------------|------------------|------------------|
| 1 | 1 | 322500102/0 | Air Intake Grill | Air Intake Grill | |
| 2 | 2 | 112523000/1 | Bricka | Washer | |
| 3 | 2 | 12728124/0 | Skruv | Screw | |
| 5 | 1 | 322226151/0 | Frontkåpa-svart | Mask, Black | |
| 6 | 2 | 112727799/0 | Skruv | Screw | |
| 7 | 1 | 322393640/0 | Handtag-gul | Handle, Yellow | |
| 8 | 2 | 12154510/0 | Mutter | Nut | |
| 10 | 2 | 112728697/0 | Skruv | Screw | |
| 11 | 1 | 322820082/0 | Lock svart | Cap, Black | |
| 12 | 1 | 322820083/0 | Lock svart | Cap, Black | |

COMBI 48 SQ BW PLUS B


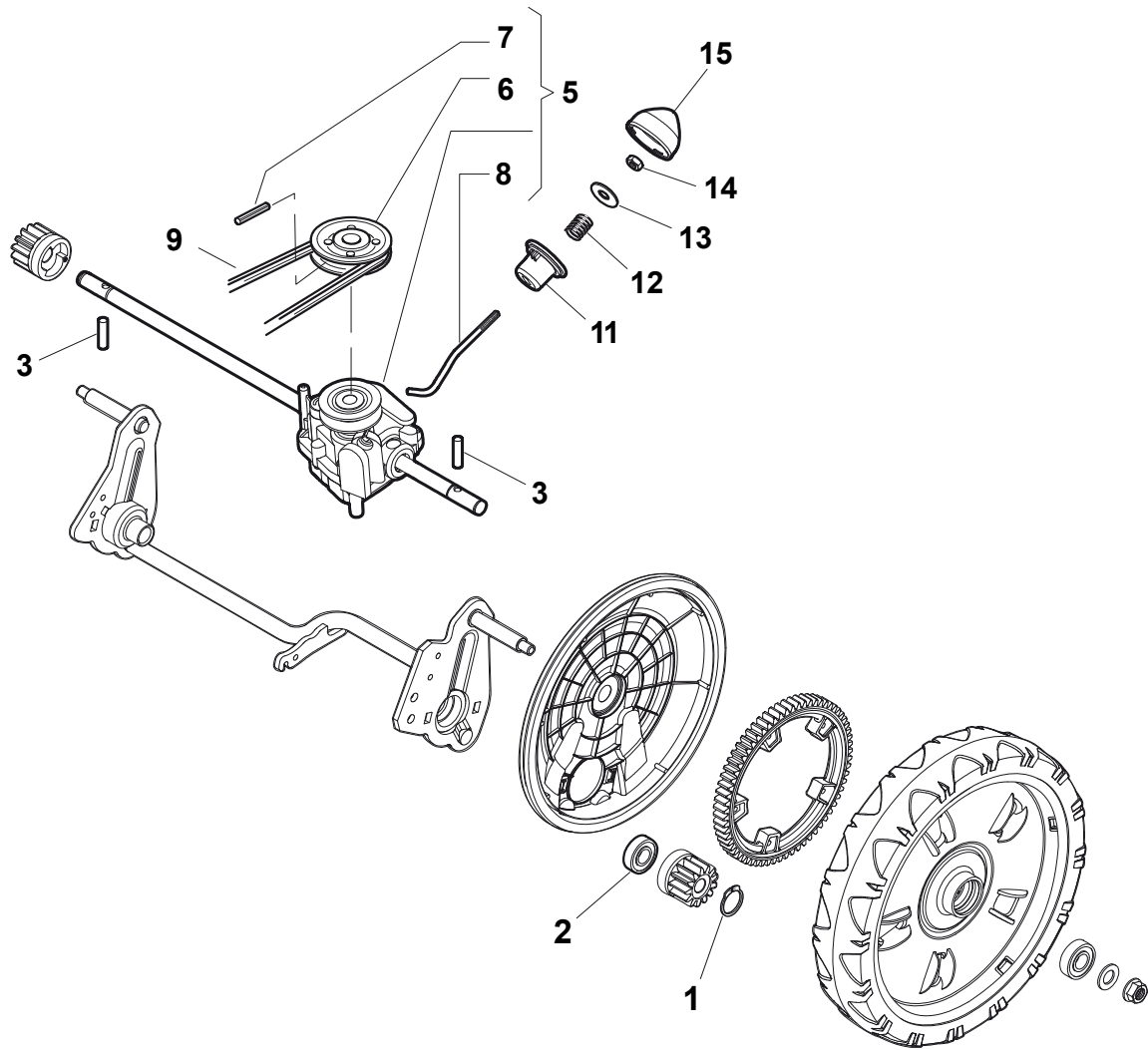
| Pos. Fig. | Antal Quantity | Art No Part No | Benämning | Description | Anmärkning Notes |
|-----------|----------------|----------------|----------------|--------------------|------------------|
| 1 | 1 | 381006889/0 | Styre-underdel | Handle, Lower Part | |
| 2 | 1 | 381005125/0 | Fäste-hö | Bracket, R | |
| 3 | 1 | 381005127/0 | Fäste-vä | Bracket, L | |
| 4 | 2 | 381003253/0 | Knopp | Knob | |
| 5 | 4 | 322680016/0 | Bricka | Washer | |
| 6 | 2 | 22131750/0 | Mutter | Nut | |
| 7 | 2 | 322399835/0 | Knopp | Knob | |
| 8 | 2 | 381003254/0 | Knopp | Knob | |
| 9 | 2 | 112154220/0 | Mutter | Nut | |
| 10 | 2 | 12760605/0 | Skruv | Screw | |
| 11 | 2 | 12521350/0 | Bricka | Washer | |
| 12 | 2 | 12155000/0 | Mutter | Nut | |
| 13 | 6 | 112727803/0 | Skruv | Screw | |
| 14 | 6 | 12523040/0 | Bricka | Washer | |
| 15 | 6 | 12154510/0 | Mutter | Nut | |

COMBI 48 SQ BW PLUS B


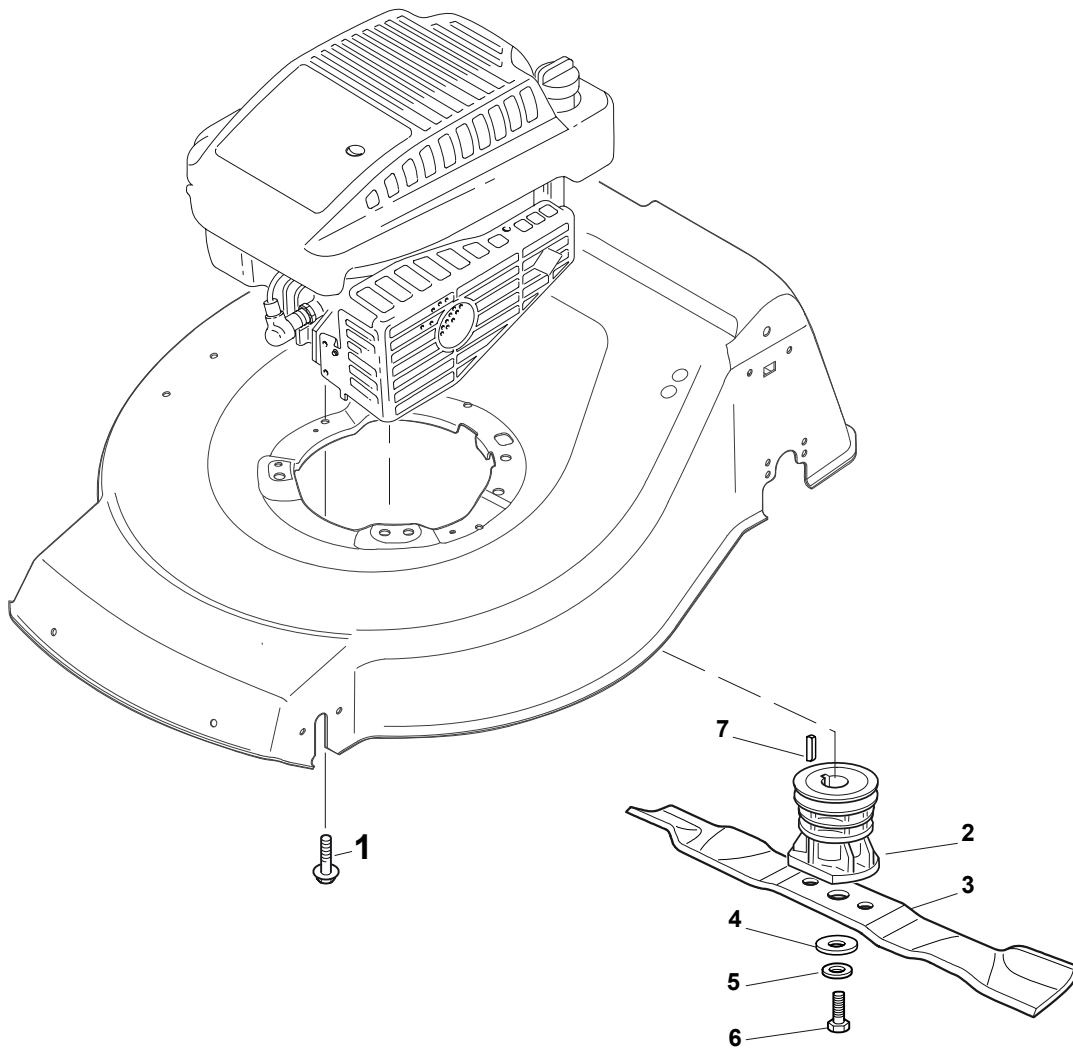
| Pos. Fig. | Antal Quantity | Art No Part No | Benämning | Description | Anmärkning Notes |
|-----------|----------------|----------------|-----------------------|---|--------------------------------------|
| 1 | 1 | 381006807/0 | Styre-överdel | Handle, Upper Part with sponge handgrip | |
| 1 | 1 | 381006887/0 | Styre-överdel | Handle, Upper Part | |
| 2 | 1 | 22430313/0 | Ögla | Guide Spring | |
| 3 | 1 | 12521330/0 | Bricka | Washer | |
| 4 | 1 | 12154510/0 | Mutter | Nut | |
| 5 | 1 | 118390020/0 | Kabelhållare | Fairlead | |
| 6 | 1 | 181030053/0 | Motorbromswire | Cable, Thread Eng. Brake | |
| 7 | 1 | 322545204/0 | Vridpunkt | Fulcrum Pin | |
| 8 | 2 | 22041966/0 | Bussning | Bush | |
| 9 | 1 | 181003300/0 | Reglagebygel | Lever, Engine Brake | |
| 10 | 1 | 381030051/0 | Kopplingswire | Cable, Rear Drive | |
| 11 | 2 | 22041966/0 | Bussning | Bush | |
| 12 | 1 | 181003301/0 | Reglagebygel-drivning | Lever, Driving | |
| 13 | 1 | 22291050/0 | Handtag | Handgrip Black | only for handle part no. 381006887/0 |
| 13 | 1 | 22291050/0 | Handtag | Handgrip Black | |
| 14 | 1 | 22551640/0 | Wirefäste | Plate | |
| 15 | 1 | 12728640/0 | Skruv | Screw | |



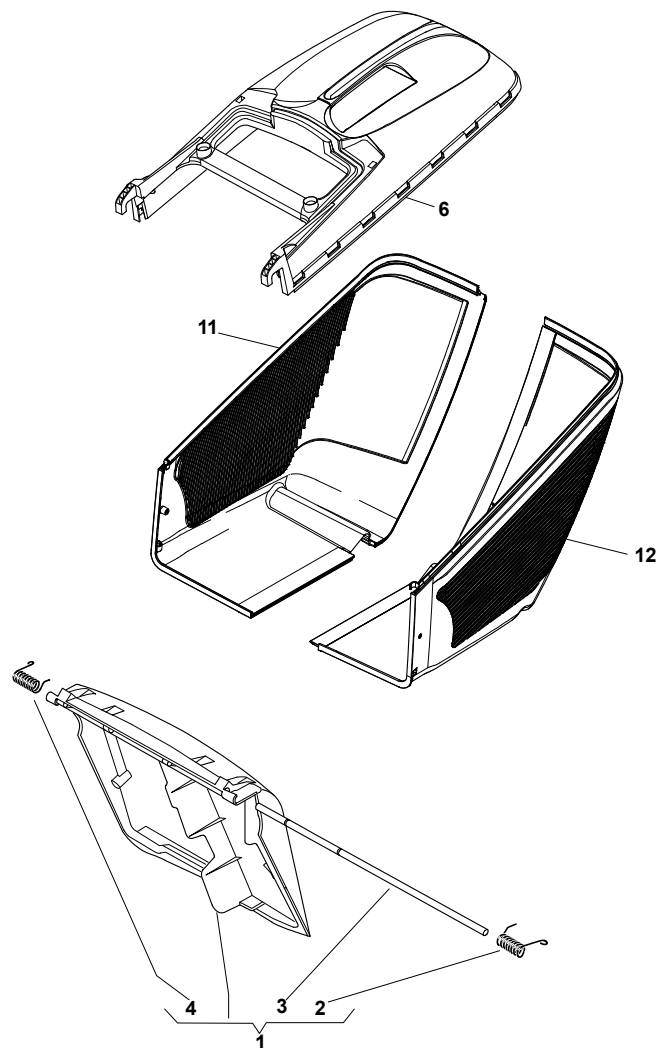
| Pos. Fig. | Antal Quantity | Art No Part No | Benämning | Description | Anmärkning Notes |
|-----------|----------------|----------------|-----------|----------------|-------------------------------|
| 1 | 1 | 181005502/1 | Gaswire | Throttle Cable | (B&S 450-500-550-625-675-700) |
| 2 | 1 | 12735103/0 | Skruv | Screw | |
| 3 | 1 | 12523040/0 | Bricka | Washer | |

COMBI 48 SQ BW PLUS B


| Pos. Fig. | Antal Quantity | Art No Part No | Benämning | Description | Anmärkning Notes |
|-----------|----------------|----------------|--------------|----------------|------------------|
| 1 | 4 | 12608600/0 | Låsring | Snap Ring | |
| 2 | 2 | 19216035/0 | Lager | Bearing | |
| 3 | 2 | 22753000/0 | Stift | Pin | |
| 5 | 1 | 81003092/0 | Transmission | Gear Box | |
| 6 | 1 | 22601904/0 | Remskiva | Pulley | |
| 7 | 1 | 12645705/0 | Stift | Pin | |
| 8 | 1 | 22033283/0 | Justerstång | Adjustment Rod | |
| 9 | 1 | 35063800/0 | Drivrem | Belt | |
| 11 | 1 | 22041957/1 | Bussning | Bush | |
| 12 | 1 | 22450063/0 | Fjäder | Spring | |
| 13 | 1 | 22680009/0 | Bricka | Washer | |
| 14 | 1 | 12154510/0 | Mutter | Nut | |
| 15 | 1 | 22110230/0 | Lock | Cap | |

COMBI 48 SQ BW PLUS B


| Pos. Fig. | Antal Quantity | Art No Part No | Benämning | Description | Anmärkning Notes |
|-----------|----------------|----------------|-----------|------------------------------------|------------------|
| 1 | 2 | 112735108/1 | Skruv | Screw | (GGP 196cc) |
| 1 | 1 | 112735109/1 | Skruv | Screw | (GGP 196cc) |
| 2 | 1 | 122465607/3 | Knivfäste | Hub With Pulley, Crankshaft Ø 22.2 | |
| 3 | 1 | 81004346/3 | Kniv | Blade Standard | 484 |
| 4 | 1 | 22160400/0 | Bricka | Elastic Washer | |
| 5 | 1 | 12523080/0 | Bricka | Washer | |
| 6 | 1 | 12735698/0 | Skruv | Screw | |
| 7 | 1 | 12139100/0 | Kil | Key | |

COMBI 48 SQ BW PLUS B


| Pos. Fig. | Antal Quantity | Art No Part No | Benämning | Description | Anmärkning Notes |
|-----------|----------------|----------------|----------------------|---------------------|------------------|
| 1 | 1 | 381008082/0 | Lucka | Stone-Guard, Yellow | |
| 2 | 1 | 122450466/0 | Fjäder vä | L Spring | |
| 3 | 1 | 22517906/1 | Axel | Pin | |
| 4 | 1 | 122450465/0 | Fjäder-hö | R Spring | |
| 6 | 1 | 322486110/1 | Uppsamlare-överdel | Grass-Box, Upper | |
| 11 | 1 | 322486150/1 | Uppsamlare-undre, vä | Grass-Box, R Lower | |
| 12 | 1 | 322486151/1 | Uppsamlare-undre, hö | Grass-Box, L Lower | |