



Reservdelskatalog Parts Catalogue

COMBI 50 S AE

294506008/S16 - Season 2016

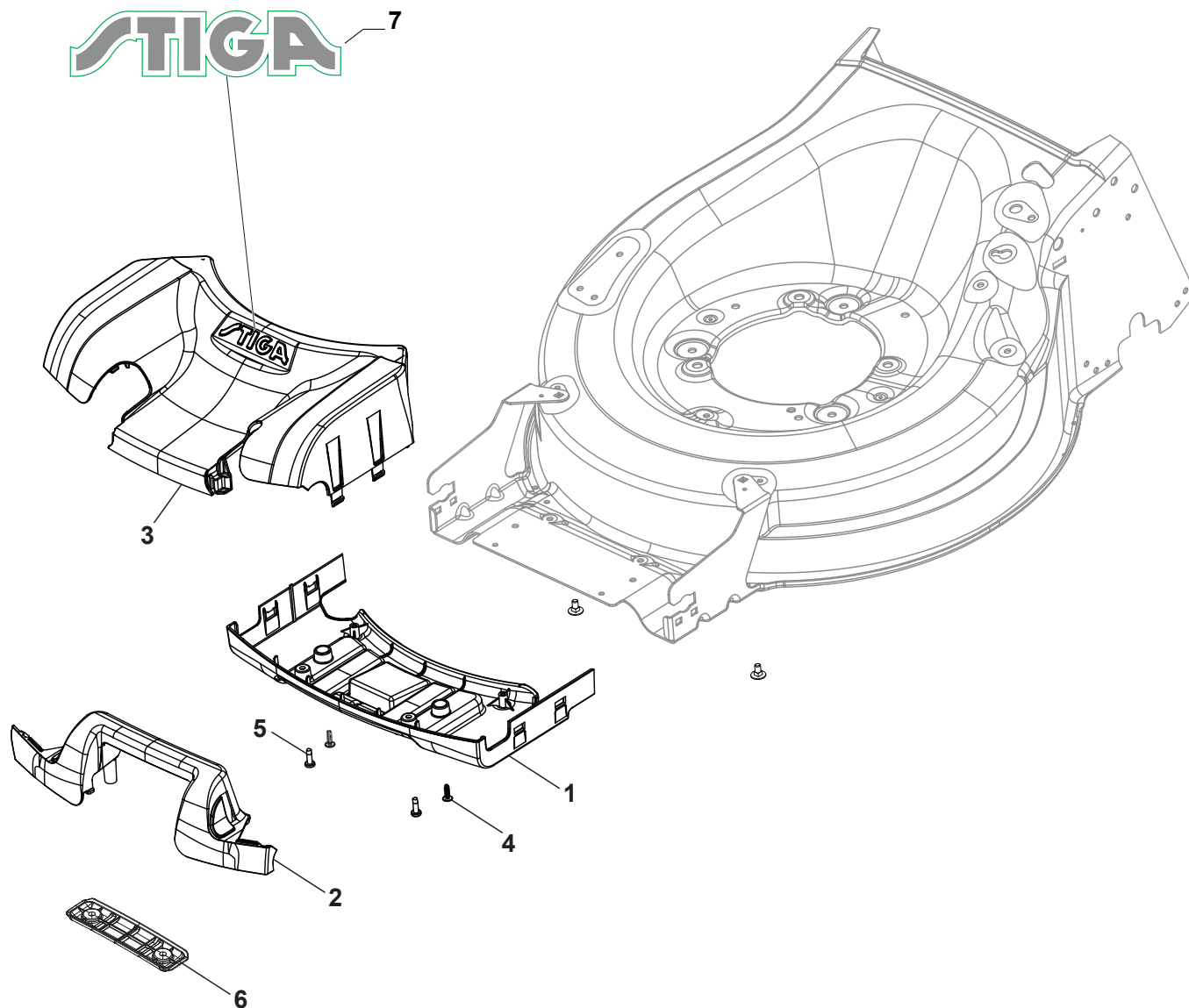
- Use GLOBAL GARDEN PRODUCT Genuine Spare Parts specified in the parts list for repair and/or replacement.
 - The contents described in the parts list may change due to improvement.
 - The drawings of the spare parts are only indicative and might not represent the part in question exactly.
 - The indications "right" - "left" - "front" - "rear" refer to the position of the operator when using the machine.
- When placing orders of parts for repair and/or replacement, make sure that the illustrated parts list is the one applying to the machine's year of manufacture, as shown on the identification plate attached to the machine.

© Copyright 2016 Global Garden Products

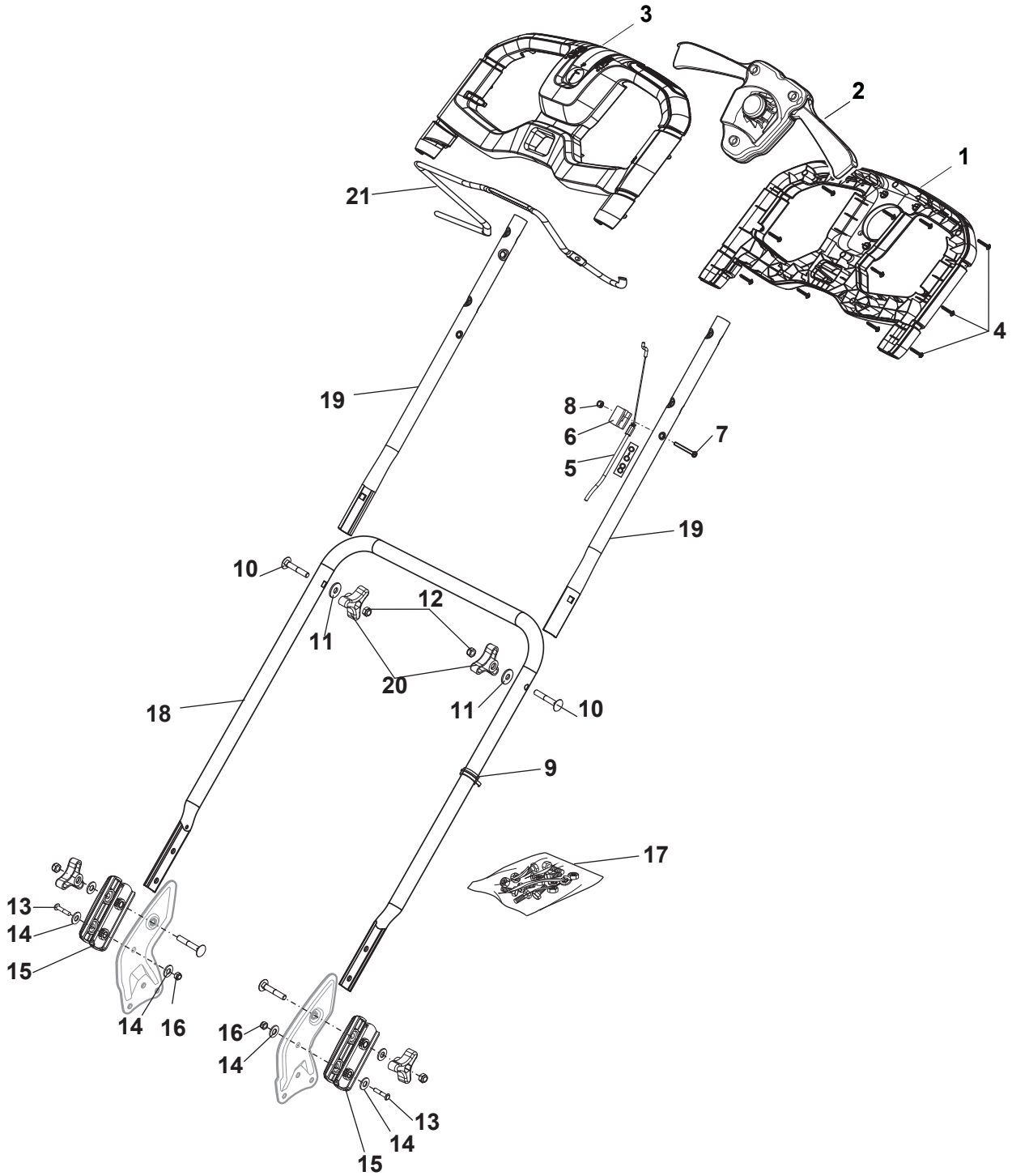
All rights reserved. No part of this material may be reproduced or transmitted, in any form or by any means, electronic or mechanical, including photocopying, recording or by any information storage and retrieval system, without permission in writing from GLOBAL GARDEN PRODUCTS.

www.stiga.com

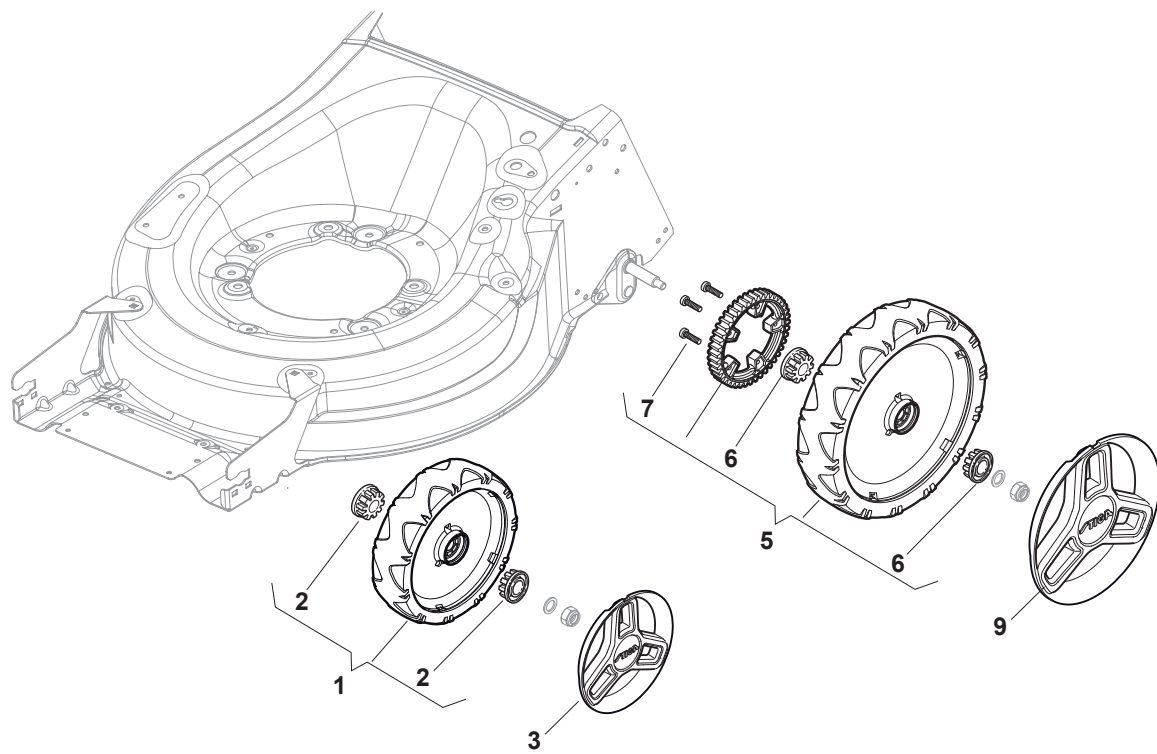
| Utgåva Issue 24 - 2016 | | Kapa och höjdställning | | Deck And Height Adjusting | |
|------------------------------|---------------|------------------------|--------------------|---------------------------|---|
| Pos. Fig. | Antal Q.ty | Art nr Part No | Benämning | Description | Anmärkning Notes |
| 1 | 1 | 381302913/0 | Hjulaxel | Axle | Only for model with Stiga Frontal and wheels D180/240 with lever height adjustment / from 01.02.2016: front axle 381302913/0 will be unified for all models |
| 2 | 2 | 322785305/1 | Stöd | Support | |
| 3 | 4 | 112728697/0 | Skruv | Screw | |
| 4 | 1 | 322869695/0 | Höjdställningsspak | Wheels Control Rod | |
| 5 | 2 | 122519820/0 | Stift | Pin | |
| 6 | 2 | 112436051/0 | Plat | Plate | |
| 7 | 1 | 322778475/0 | Fäste | Bracket | |
| 8 | 1 | 122450480/0 | Fjäder | Spring | |
| 9 | 1 | 122517873/0 | Stift | Pin | |
| 10 | 1 | 322055329/0 | Lock | Cover | |
| 11 | 1 | 112815270/0 | Skruv | Screw | |
| 12 | 1 | 112523040/0 | Bricka | Washer | |
| 13 | 2 | 112154510/0 | Mutter | Nut | |
| 14 | 1 | 381302895/0 | Hjulaxel-bakre | Rear Wheel Axle | |
| 15 | 2 | 322545152/0 | Plat | Plate | |
| 16 | 4 | 112728698/0 | Skruv | Screw | |
| 17 | 1 | 122446192/0 | Fjäder | Spring | |
| 18 | 1 | 122534131/0 | Stift | Pin | |
| 19 | 1 | 322322855/0 | Kontrollspak | Wheels Adjusting Lever | |
| 20 | 1 | 322394506/0 | Knopp | Knob | |
| 21 | 5 | 112728699/0 | Skruv | Screw | |
| 22 | 1 | 135063900/0 | Drivrem | Belt | |
| 23 | 1 | 322778473/0 | Fäste | Bracket | |
| 24 | 1 | 122450478/0 | Fjäder | Spring | |
| 25 | 1 | 181003115/0 | Växellada kpl | Gear Box | |
| 26 | 2 | 122753000/0 | Spännstift | Pin | |
| 27 | 4 | 112608600/0 | Segersäkring | Seeger | |
| 28 | 2 | 119216035/0 | Lager | Bearing | |
| 29 | 1 | 122570110/1 | Drev | Pinion Right | |
| 30 | 1 | 122570120/1 | Drev | Pinion Left | |
| 31 | 2 | 322042066/0 | Bussning | Bushing | |
| 32 | 2 | 112521371/0 | Bricka | Washer | |
| 33 | 2 | 322600205/1 | Hjulskydd | Protection, Wheel | |
| 34 | 2 | 322600247/0 | Hjulskydd | Protection, Wheel | |
| 35 | 1 | 122601909/0 | Remskiva | Pulley | |



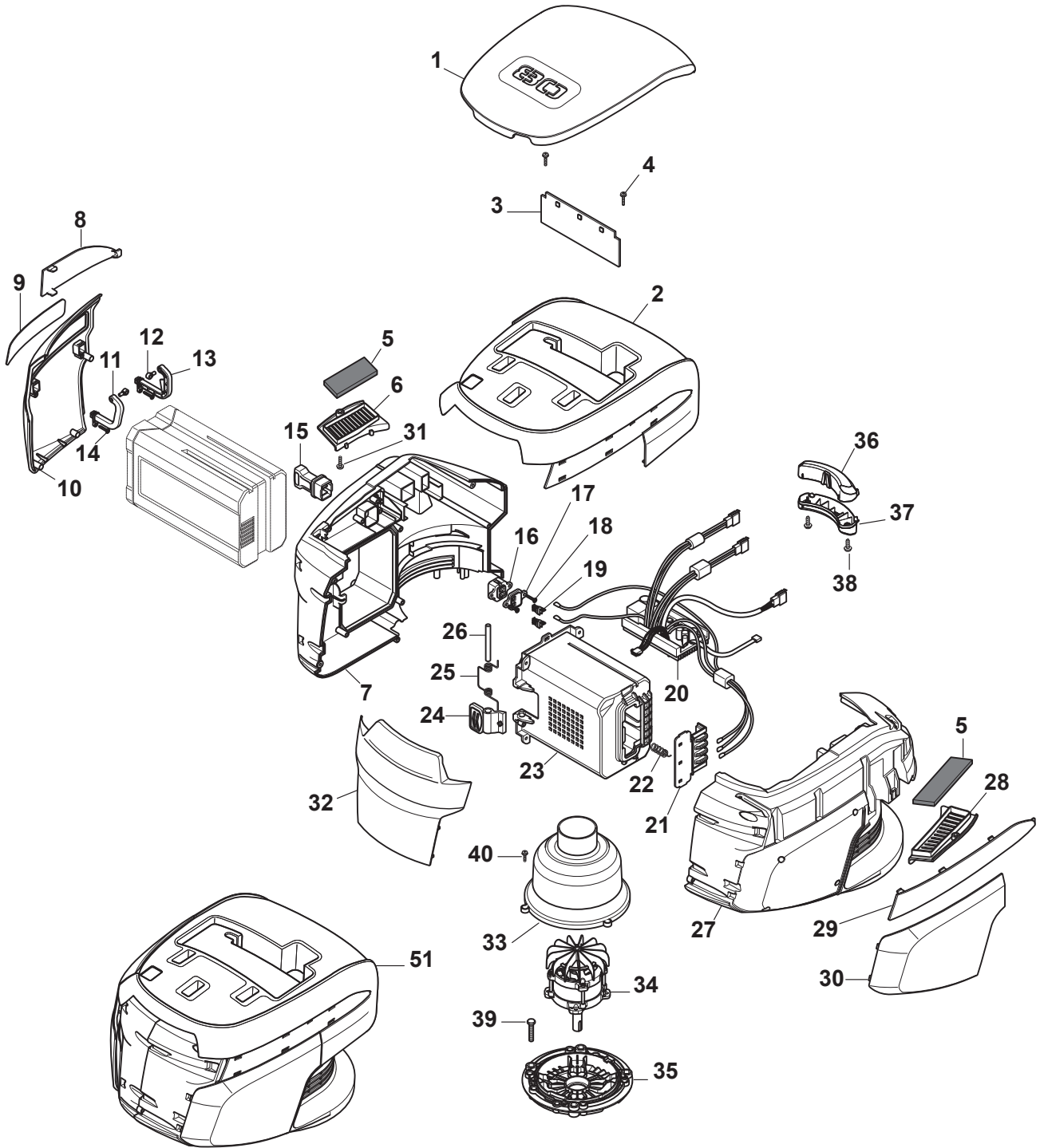
| Utgåva Issue 24 - 2016 | | Mask | | | |
|------------------------------|---------------|-------------------|------------------|------------------|---------------------|
| Pos. Fig. | Antal Q.ty | Art nr Part No | Benämning | Description | Anmärkning Notes |
| 1 | 1 | 322500111/0 | Luftintag | Front Combi | |
| 2 | 1 | 381393703/0 | Handtag | Handle | |
| 3 | 1 | 322226240/0 | Frontkapa, Gra | Mask, Grey | |
| 4 | 2 | 112728697/0 | Skruv | Screw | |
| 5 | 2 | 112728699/0 | Skruv | Screw | |
| 6 | 1 | 322393756/0 | Handtag-Främre | Front Handle | |
| 7 | 1 | 114367494/2 | Dekal STIGA logo | Label STIGA logo | |



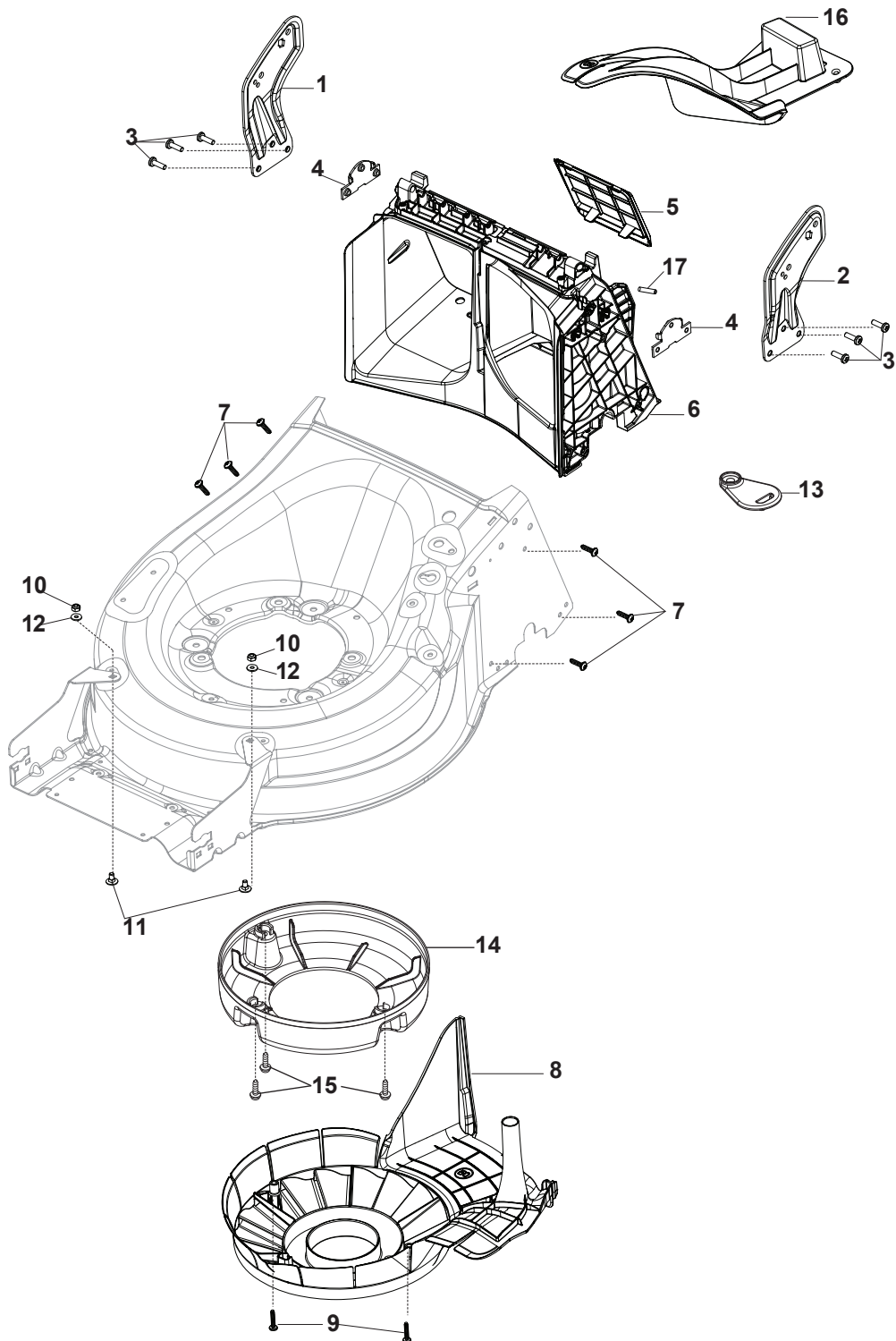
| Utgåva Issue 24 - 2016 | | Reglage Handle | | | |
|------------------------------|---------------|-------------------|-----------------------------|----------------------------|---------------------|
| Pos. Fig. | Antal Q.ty | Art nr Part No | Benämning | Description | Anmärkning Notes |
| 1 | 1 | 322291075/0 | Handtagshalva, övre brytare | Upper Half Handgrip Switch | Grey |
| 2 | 1 | 381600557/0 | Manöverdosa | Dead Hand Switch | |
| 3 | 1 | 322291074/0 | Handtagshalva, övre brytare | Lower Half Handgrip Switch | Grey |
| 4 | 11 | 112728711/0 | Skruv | Screw | |
| 5 | 1 | 381030124/0 | Kopplingswire | Cable Rear Drive | |
| 6 | 1 | 322551640/0 | Plat | Plate | |
| 7 | 1 | 112727783/0 | Skruv | Screw | |
| 8 | 1 | 112154510/0 | Mutter | Nut | |
| 9 | 2 | 122192000/1 | Kabelhallare | Clamp | |
| 10 | 2 | 112819121/0 | Skruv | Screw | |
| 11 | 4 | 122671651/0 | Bricka | Washer | |
| 12 | 2 | 112293200/0 | Mutter | Nut | |
| 13 | 2 | 112793701/0 | Skruv | Screw | |
| 14 | 2 | 112521350/0 | Bricka | Washer | |
| 15 | 4 | 322551582/0 | Fäste | Inside Plaque Insulation | |
| 16 | 2 | 112155000/0 | Mutter | Nut | |
| 17 | 1 | 381008698/0 | Skruvsats | Outfit, Screws | Black |
| 18 | 1 | 381007536/0 | Handtag | Handle Lower Part | Yellow |
| 19 | 1 | 381007576/0 | Handtag, övre | Handle, Upper Part | Yellow |
| 20 | 4 | 122399900/0 | Knopp | Knob | Black |
| 21 | 1 | 181003439/0 | Spak Handtag | Drive Control Lever | |



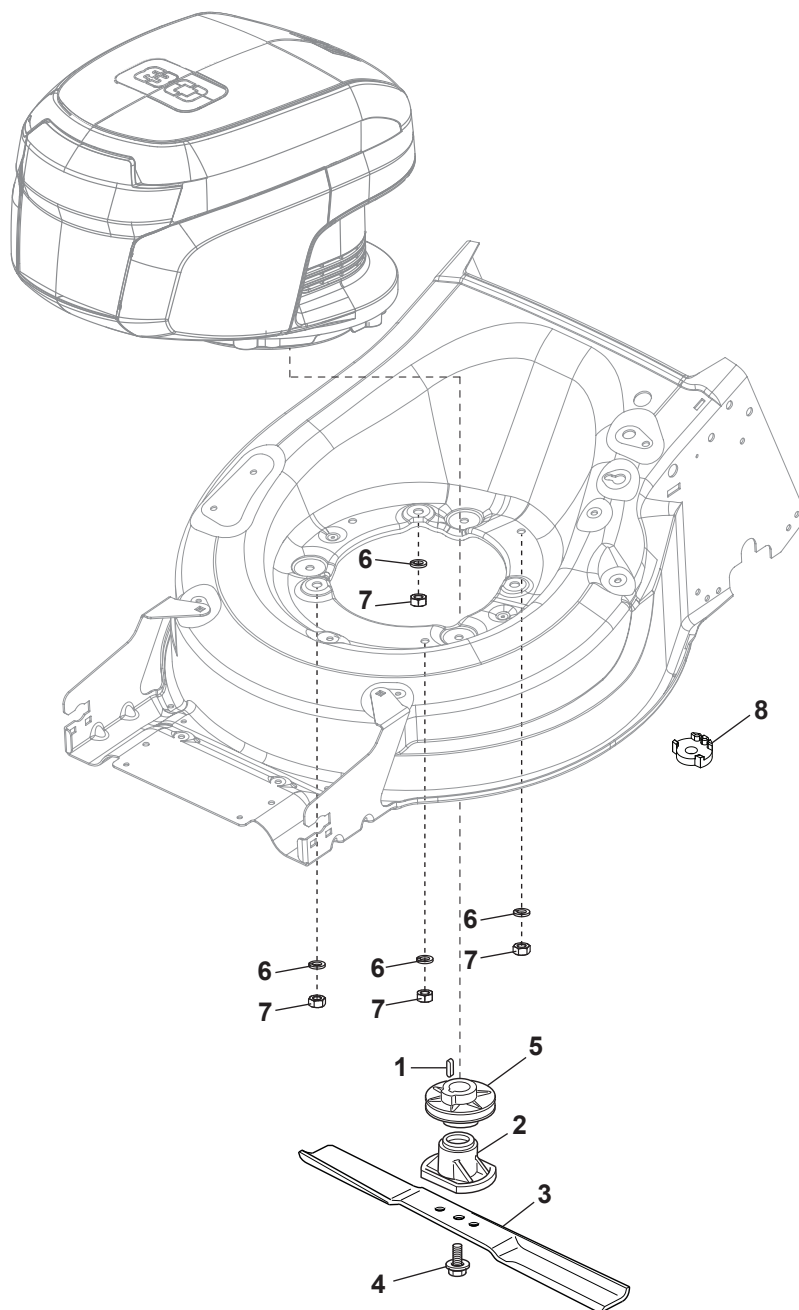
| Utgåva Issue 24 - 2016 | | Hjul och navkapsel Wheels and Hub Caps | | | |
|------------------------------|---------------|---|------------------|-------------------|---------------------|
| Pos. Fig. | Antal Q.ty | Art nr Part No | Benämning | Description | Anmärkning Notes |
| 1 | 2 | 381007455/1 | Hjul - Short Hub | Wheel - Short Hub | |
| 2 | 4 | 119216035/0 | Lager | Bearing | |
| 3 | 2 | 322110744/0 | Navkapsel Gra | Hub Cap Grey | |
| 5 | 2 | 381007467/1 | Hjul | Wheel | |
| 6 | 4 | 119216035/0 | Lager | Bearing | |
| 7 | 6 | 112728706/0 | Skruv | Screw | |
| 9 | 2 | 322110745/0 | Navkapsel Gra | Hub Cap Grey | |



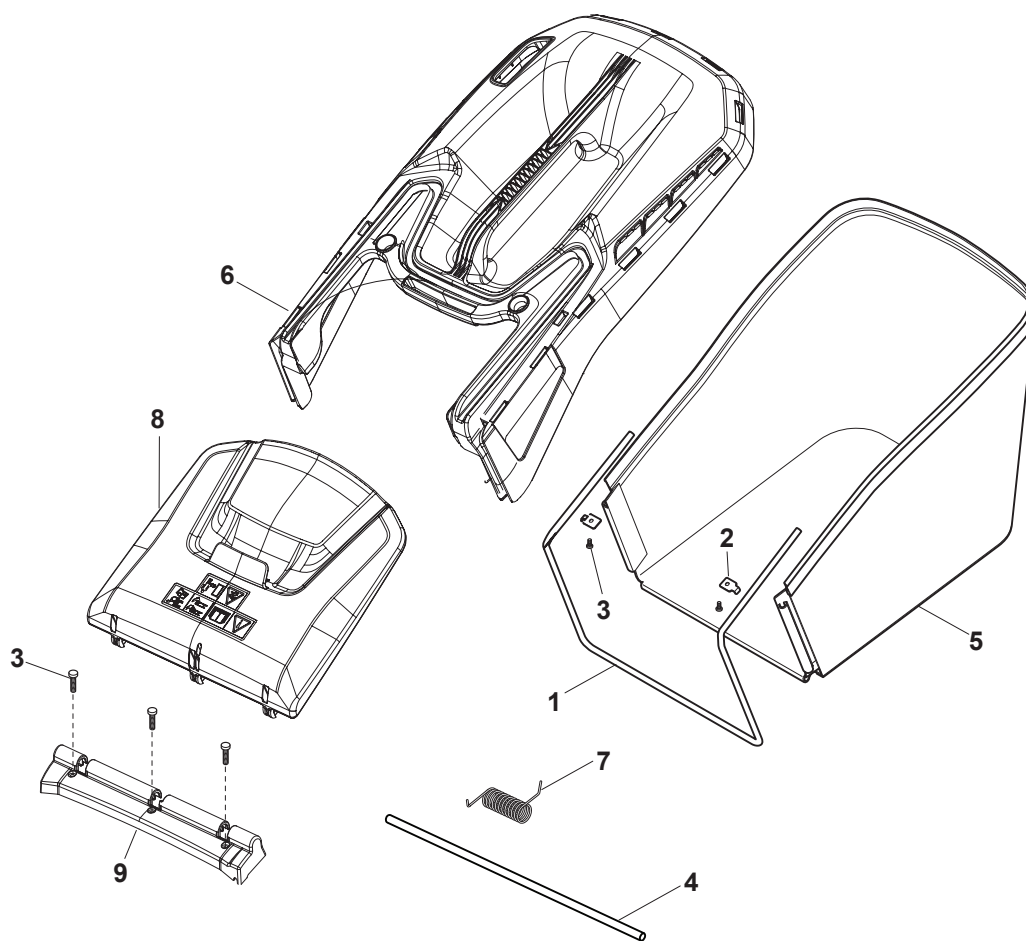
| Utgåva Issue 24 - 2016 | | Batterimotor Battery Motor Ass.y | | | |
|------------------------------|---------------|-------------------------------------|--|--|---------------------|
| Pos. Fig. | Antal Q.ty | Art nr Part No | Benämning | Description | Anmärkning Notes |
| 1 | 1 | 322109969/0A | Upper Cover | Upper Cover | |
| 2 | 1 | 322109952/0 | Kapa, Gul | Cover, Yellow | |
| 3 | 1 | 118206007/0 | Elektronikkort | Electronic Card | |
| 4 | 2 | 112728099/1 | Skruv | Screw | |
| 5 | 2 | 118401009/0 | Luftfilter | Air Filter | |
| 6 | 1 | 322109955/0 | Luftrenarlock | Air Cleaner Cover | |
| 7 | 1 | 322055336/0 | Höger Hus | Right housing | |
| 8 | 1 | 322109958/0 | Kåpa | Right Side Cover | |
| 9 | 1 | 322109961/0 | Kapa | Cover | |
| 10 | 1 | 322109953/0 | BatteriKapa, Gul | Battery Cover, Yellow | |
| 11 | 1 | 322109971/0 | Hävarm | Lever | |
| 12 | 2 | 322524357/0 | Stift | Fulcrum Pin | |
| 13 | 1 | 322109972/0 | Hävarm | Lever | |
| 14 | 2 | 112728099/1 | Skruv | Screw | |
| 15 | 1 | 322076571/0 | Batterisäkerhetsnyckel | Battery Safety Key | |
| 16 | 1 | 322722828/0 | Fäste | Holder | |
| 17 | 1 | 322109975/0 | Kapa | Cover | |
| 18 | 2 | 112728099/1 | Skruv | Screw | |
| 19 | 2 | 118810272/0 | Honkontakt Faston | Female connector Faston | |
| 20 | 1 | 118206005/0 | Elektronikkort | Electronic Card | |
| 21 | 1 | 118810277/0 | Batteribyggel | Battery Clamp | |
| 22 | 1 | 118810276/0 | Fjäder | Spring | |
| 23 | 1 | 322109970/0 | Batterilada | Batterybox | |
| 24 | 1 | 118810273/0 | Hävarm | Lever | |
| 25 | 1 | 118810275/0 | Fjäder | Spring | |
| 26 | 1 | 118810274/0 | Stift | Pin | |
| 27 | 1 | 322055337/0 | Vänster, Hus | Left housing | |
| 28 | 1 | 322109956/0 | Luftrenarlock | Air Cleaner Cover | |
| 29 | 1 | 322109959/0 | Sidoskydd | Left Side Cover | |
| 30 | 1 | 322109954/0 | Kapa-Gul | Cover, Yellow | |
| 31 | 2 | 112728099/1 | Skruv | Screw | |
| 32 | 1 | 322109957/0 | Fram Skal | Front Cover | |
| 33 | 1 | 322108321/0 | Motorhuv | End Cover | |
| 34 | 1 | 118563517/0 | Elmotor | Electric Motor | |
| 35 | 1 | 322207232/0 | Fläns | Electrical Motor Flange | |
| 36 | 1 | 322722834/0 | Skydd-Övre | Upper Guard | |
| 37 | 1 | 322722833/0 | Spolskydd | Lower Guard | |
| 38 | 2 | 112728706/0 | Skruv | Screw | |
| 39 | 4 | 112691100/0 | Skruv | Screw | |
| 40 | 3 | 112728099/1 | Skruv | Screw | |
| 51 | 1 | 381270001/0 | Engine Battey Group PowerHead Stiga | Engine Battey Group PowerHead Stiga | |



| Utgåva Issue 24 - 2016 | | Remskydd Protection, Belt | | | |
|------------------------------|---------------|------------------------------|---------------|-----------------|----------------------|
| Pos. Fig. | Antal Q.ty | Art nr Part No | Benämning | Description | Anmärkning Notes |
| 1 | 1 | 381005195/0 | Fäste-Hö | Bracket-Rh | |
| 2 | 1 | 381005197/0 | Fäste-Vä | Bracket-Lh | |
| 3 | 6 | 112727801/0 | Skruv | Screw | |
| 4 | 2 | 322545213/0 | Plat | Plate | |
| 5 | 1 | 322600310/0 | Rear door | Rear door | Not for TR/E models |
| 6 | 1 | 322108316/0 | Conveyor | Conveyor | |
| 7 | 6 | 112728699/0 | Skruv | Screw | |
| 8 | 1 | 322060270/1 | Mulchingplugg | Carter Mulching | |
| 9 | 2 | 112728531/0 | Skruv | Screw | |
| 10 | 2 | 112154510/0 | Mutter | Nut | |
| 11 | 2 | 112815200/0 | Skruv | Screw | |
| 12 | 2 | 112521330/0 | Bricka | Washer | |
| 13 | 1 | 322820087/0 | Plugg | Cap | Only for Models 50cm |
| 14 | 1 | 322055345/0 | Conveyor | Conveyor | Only for Models 50cm |
| 15 | 3 | 112728697/0 | Skruv | Screw | Only for Models 50cm |
| 16 | 1 | 322140245/0 | Deflektor | Deflector | |
| 17 | 1 | 112645708/0 | Stift | Pin | |



| Utgåva Issue 24 - 2016 | | Kniv Blade | | | |
|------------------------------|---------------|-------------------|----------------|-------------|---------------------|
| Pos. Fig. | Antal Q.ty | Art nr Part No | Benämning | Description | Anmärkning Notes |
| 1 | 1 | 112139440/0 | Kil | Key | |
| 2 | 1 | 322463189/0 | Knivfäste Ø 17 | Hub Ø 17 | |
| 3 | 1 | 181004366/2 | Kniv | Blade | |
| 4 | 1 | 381004352/1 | Skruv | Screw | |
| 5 | 1 | 322601911/2 | Remskiva | Pulley | |
| 6 | 4 | 112583500/0 | Lasbricka | Grower | |
| 7 | 4 | 112293200/0 | Mutter | Nut | |
| 8 | 1 | 322171009/0 | Distans | Spacer | |



| Utgåva Issue 24 - 2016 | | Gräsuppsamlare Grass-Catcher | | | |
|------------------------------|---------------|---------------------------------|-----------------------|---------------------------|-------------------------|
| Pos. Fig. | Antal Q.ty | Art nr Part No | Benämning | Description | Anmärkning Notes |
| 1 | 1 | 181006411/0 | Säckram | Fabric Box Frame | |
| 2 | 2 | 322557177/0 | Plat | Plate | |
| 3 | 5 | 112728697/0 | Skruv | Screw | |
| 4 | 1 | 122517884/0 | Stift | Pin | |
| 5 | 1 | 181102349/0 | Uppsamlingsbox | Cancas GrassCatcher | |
| 6 | 1 | 322486427/0 | Uppsamlare, övre | Box, Upper Side | Black without indicator |
| 6 | 1 | 381486039/0 | Uppsamlare, övre | Box, Upper Side | Black with indicator |
| 7 | 1 | 122450479/0 | Fjäder | Spring | |
| 8 | 1 | 322600339/0 | Lucka - gul | Stone Guard, Yellow | |
| 9 | 1 | 322109569/0 | Stenskydd Supp. Svart | Black Stone Guard Support | |

| code | pos. | q.ty | page | | | | | | | | | |
|-------------|------|------|-------|--------------|----|---|-------|-------------|----|---|-------|--|
| 112139440/0 | 1 | 1 | p. 15 | 122671651/0 | 11 | 4 | p. 7 | 381005197/0 | 2 | 1 | p. 13 | |
| 112154510/0 | 8 | 1 | p. 7 | 122753000/0 | 26 | 2 | p. 3 | 381007455/1 | 1 | 2 | p. 9 | |
| 112154510/0 | 10 | 2 | p. 13 | 135063900/0 | 22 | 1 | p. 3 | 381007467/1 | 5 | 2 | p. 9 | |
| 112154510/0 | 13 | 2 | p. 3 | 181003115/0 | 25 | 1 | p. 3 | 381007536/0 | 18 | 1 | p. 7 | |
| 112155000/0 | 16 | 2 | p. 7 | 181003439/0 | 21 | 1 | p. 7 | 381007576/0 | 19 | 1 | p. 7 | |
| 112293200/0 | 7 | 4 | p. 15 | 181004366/2 | 3 | 1 | p. 15 | 381008698/0 | 17 | 1 | p. 7 | |
| 112293200/0 | 12 | 2 | p. 7 | 181006411/0 | 1 | 1 | p. 17 | 381030124/0 | 5 | 1 | p. 7 | |
| 112436051/0 | 6 | 2 | p. 3 | 181102349/0 | 5 | 1 | p. 17 | 381270001/0 | 51 | 1 | p. 11 | |
| 112521330/0 | 12 | 2 | p. 13 | 322042066/0 | 31 | 2 | p. 3 | 381302895/0 | 14 | 1 | p. 3 | |
| 112521350/0 | 14 | 2 | p. 7 | 322055329/0 | 10 | 1 | p. 3 | 381302913/0 | 1 | 1 | p. 3 | |
| 112521371/0 | 32 | 2 | p. 3 | 322055336/0 | 7 | 1 | p. 11 | 381393703/0 | 2 | 1 | p. 5 | |
| 112523040/0 | 12 | 1 | p. 3 | 322055337/0 | 27 | 1 | p. 11 | 381486039/0 | 6 | 1 | p. 17 | |
| 112583500/0 | 6 | 4 | p. 15 | 322055345/0 | 14 | 1 | p. 13 | 381600557/0 | 2 | 1 | p. 7 | |
| 112608600/0 | 27 | 4 | p. 3 | 322060270/1 | 8 | 1 | p. 13 | | | | | |
| 112645708/0 | 17 | 1 | p. 13 | 322076571/0 | 15 | 1 | p. 11 | | | | | |
| 112691100/0 | 39 | 4 | p. 11 | 322108316/0 | 6 | 1 | p. 13 | | | | | |
| 112727783/0 | 7 | 1 | p. 7 | 322108321/0 | 33 | 1 | p. 11 | | | | | |
| 112727801/0 | 3 | 6 | p. 13 | 322109569/0 | 9 | 1 | p. 17 | | | | | |
| 112728099/1 | 4 | 2 | p. 11 | 322109952/0 | 2 | 1 | p. 11 | | | | | |
| 112728099/1 | 14 | 2 | p. 11 | 322109953/0 | 10 | 1 | p. 11 | | | | | |
| 112728099/1 | 18 | 2 | p. 11 | 322109954/0 | 30 | 1 | p. 11 | | | | | |
| 112728099/1 | 31 | 2 | p. 11 | 322109955/0 | 6 | 1 | p. 11 | | | | | |
| 112728099/1 | 40 | 3 | p. 11 | 322109956/0 | 28 | 1 | p. 11 | | | | | |
| 112728531/0 | 9 | 2 | p. 13 | 322109957/0 | 32 | 1 | p. 11 | | | | | |
| 112728697/0 | 3 | 4 | p. 3 | 322109958/0 | 8 | 1 | p. 11 | | | | | |
| 112728697/0 | 3 | 5 | p. 17 | 322109959/0 | 29 | 1 | p. 11 | | | | | |
| 112728697/0 | 4 | 2 | p. 5 | 322109961/0 | 9 | 1 | p. 11 | | | | | |
| 112728697/0 | 15 | 3 | p. 13 | 322109969/0A | 1 | 1 | p. 11 | | | | | |
| 112728698/0 | 16 | 4 | p. 3 | 322109970/0 | 23 | 1 | p. 11 | | | | | |
| 112728699/0 | 5 | 2 | p. 5 | 322109971/0 | 11 | 1 | p. 11 | | | | | |
| 112728699/0 | 7 | 6 | p. 13 | 322109972/0 | 13 | 1 | p. 11 | | | | | |
| 112728699/0 | 21 | 5 | p. 3 | 322109975/0 | 17 | 1 | p. 11 | | | | | |
| 112728706/0 | 7 | 6 | p. 9 | 322110744/0 | 3 | 2 | p. 9 | | | | | |
| 112728706/0 | 38 | 2 | p. 11 | 322110745/0 | 9 | 2 | p. 9 | | | | | |
| 112728711/0 | 4 | 11 | p. 7 | 322140245/0 | 16 | 1 | p. 13 | | | | | |
| 112793701/0 | 13 | 2 | p. 7 | 322171009/0 | 8 | 1 | p. 15 | | | | | |
| 112815200/0 | 11 | 2 | p. 13 | 322207232/0 | 35 | 1 | p. 11 | | | | | |
| 112815270/0 | 11 | 1 | p. 3 | 322226240/0 | 3 | 1 | p. 5 | | | | | |
| 112819121/0 | 10 | 2 | p. 7 | 322291074/0 | 3 | 1 | p. 7 | | | | | |
| 114367494/2 | 7 | 1 | p. 5 | 322291075/0 | 1 | 1 | p. 7 | | | | | |
| 118206005/0 | 20 | 1 | p. 11 | 322322855/0 | 19 | 1 | p. 3 | | | | | |
| 118206007/0 | 3 | 1 | p. 11 | 322393756/0 | 6 | 1 | p. 5 | | | | | |
| 118401009/0 | 5 | 2 | p. 11 | 322394506/0 | 20 | 1 | p. 3 | | | | | |
| 118563517/0 | 34 | 1 | p. 11 | 322463189/0 | 2 | 1 | p. 15 | | | | | |
| 118810272/0 | 19 | 2 | p. 11 | 322486427/0 | 6 | 1 | p. 17 | | | | | |
| 118810273/0 | 24 | 1 | p. 11 | 322500111/0 | 1 | 1 | p. 5 | | | | | |
| 118810274/0 | 26 | 1 | p. 11 | 322524357/0 | 12 | 2 | p. 11 | | | | | |
| 118810275/0 | 25 | 1 | p. 11 | 322545152/0 | 15 | 2 | p. 3 | | | | | |
| 118810276/0 | 22 | 1 | p. 11 | 322545213/0 | 4 | 2 | p. 13 | | | | | |
| 118810277/0 | 21 | 1 | p. 11 | 322551582/0 | 15 | 4 | p. 7 | | | | | |
| 119216035/0 | 2 | 4 | p. 9 | 322551640/0 | 6 | 1 | p. 7 | | | | | |
| 119216035/0 | 6 | 4 | p. 9 | 322557177/0 | 2 | 2 | p. 17 | | | | | |
| 119216035/0 | 28 | 2 | p. 3 | 322600205/1 | 33 | 2 | p. 3 | | | | | |
| 122192000/1 | 9 | 2 | p. 7 | 322600247/0 | 34 | 2 | p. 3 | | | | | |
| 122399900/0 | 20 | 4 | p. 7 | 322600310/0 | 5 | 1 | p. 13 | | | | | |
| 122446192/0 | 17 | 1 | p. 3 | 322600339/0 | 8 | 1 | p. 17 | | | | | |
| 122450478/0 | 24 | 1 | p. 3 | 322601911/2 | 5 | 1 | p. 15 | | | | | |
| 122450479/0 | 7 | 1 | p. 17 | 322722828/0 | 16 | 1 | p. 11 | | | | | |
| 122450480/0 | 8 | 1 | p. 3 | 322722833/0 | 37 | 1 | p. 11 | | | | | |
| 122517873/0 | 9 | 1 | p. 3 | 322722834/0 | 36 | 1 | p. 11 | | | | | |
| 122517884/0 | 4 | 1 | p. 17 | 322778473/0 | 23 | 1 | p. 3 | | | | | |
| 122519820/0 | 5 | 2 | p. 3 | 322778475/0 | 7 | 1 | p. 3 | | | | | |
| 122534131/0 | 18 | 1 | p. 3 | 322785305/1 | 2 | 2 | p. 3 | | | | | |
| 122570110/1 | 29 | 1 | p. 3 | 322820087/0 | 13 | 1 | p. 13 | | | | | |
| 122570120/1 | 30 | 1 | p. 3 | 322869695/0 | 4 | 1 | p. 3 | | | | | |
| 122601909/0 | 35 | 1 | p. 3 | 381004352/1 | 4 | 1 | p. 15 | | | | | |
| | | | | 381005195/0 | 1 | 1 | p. 13 | | | | | |