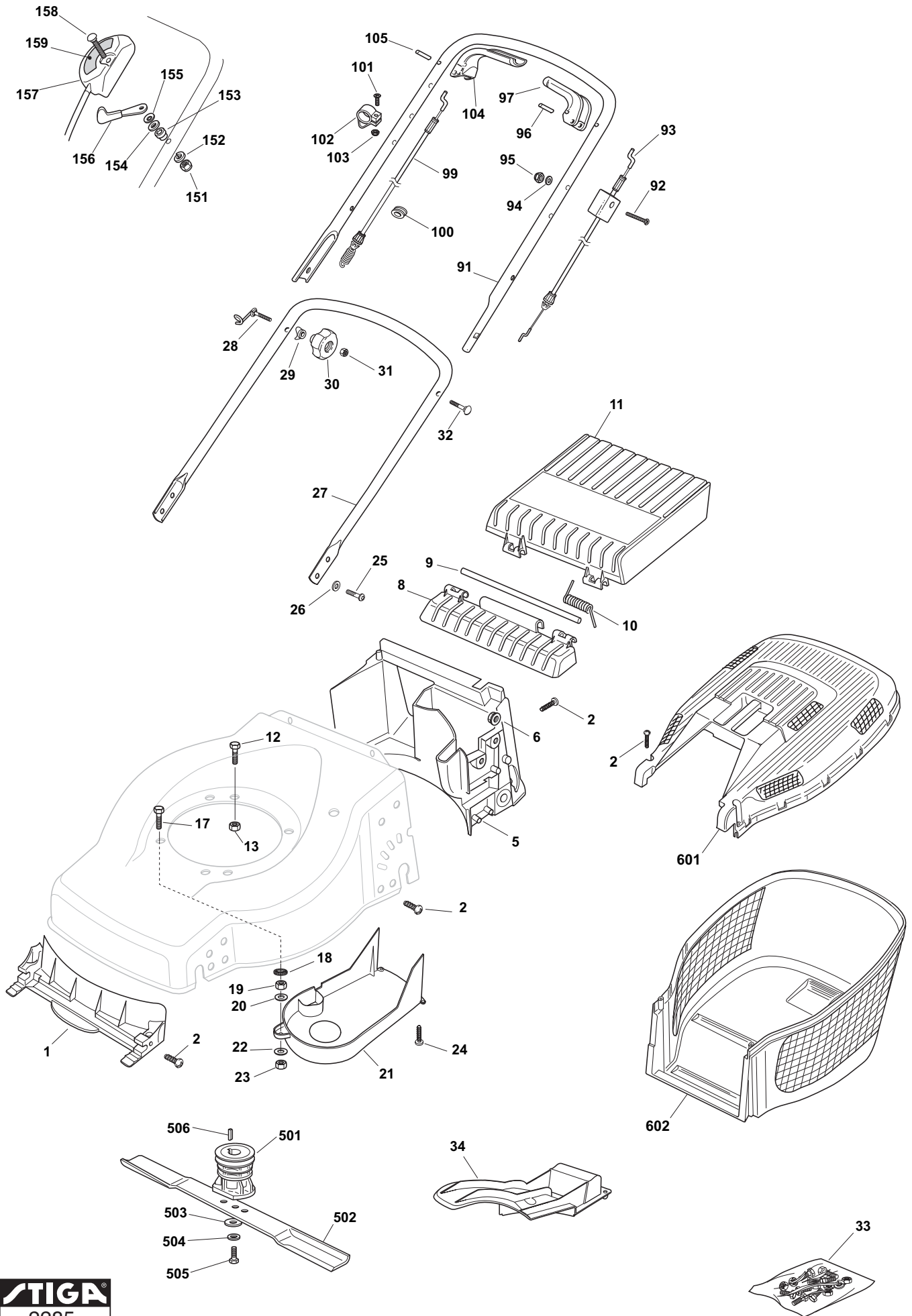


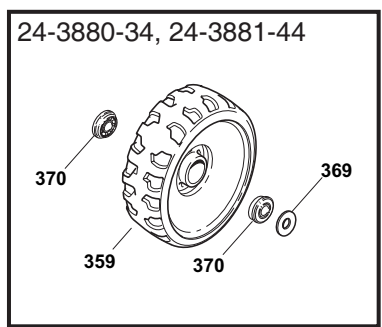
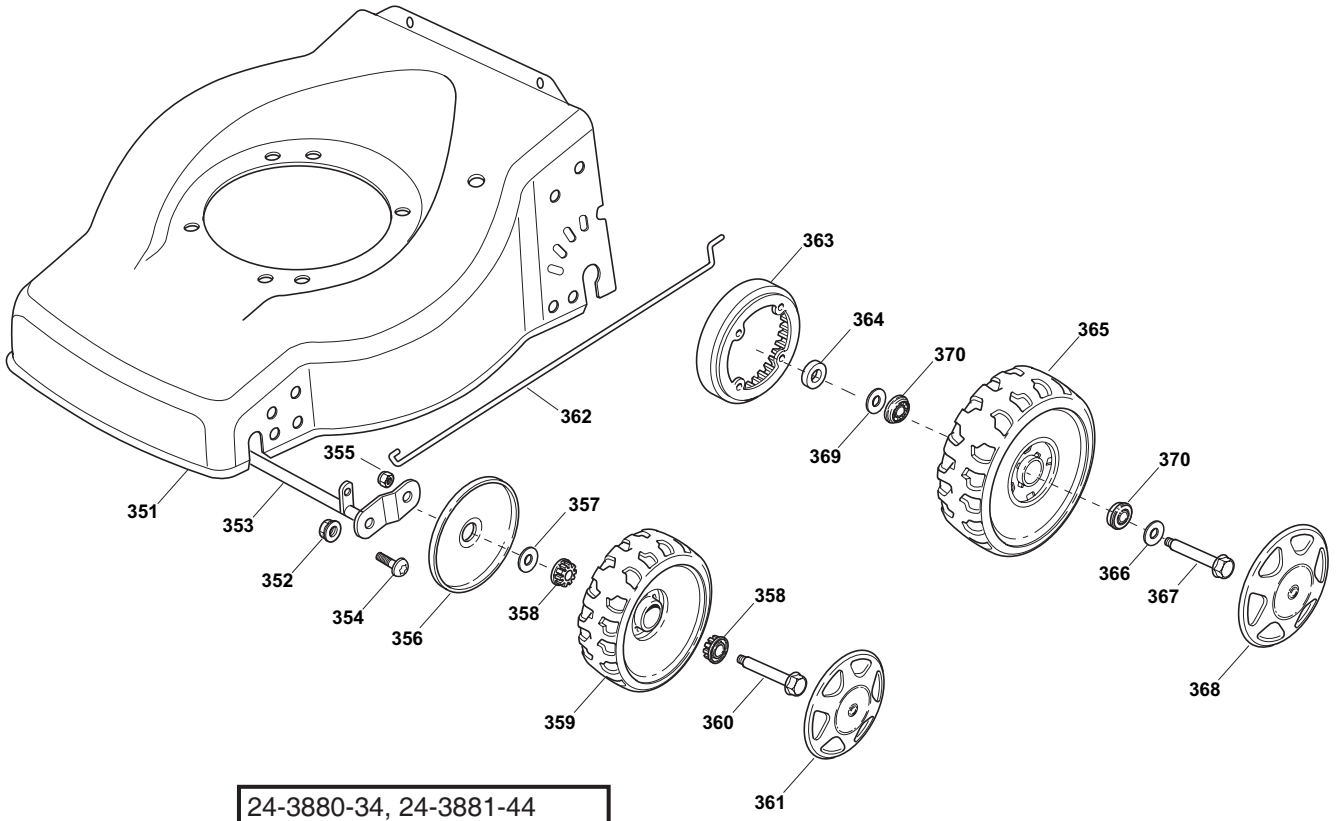
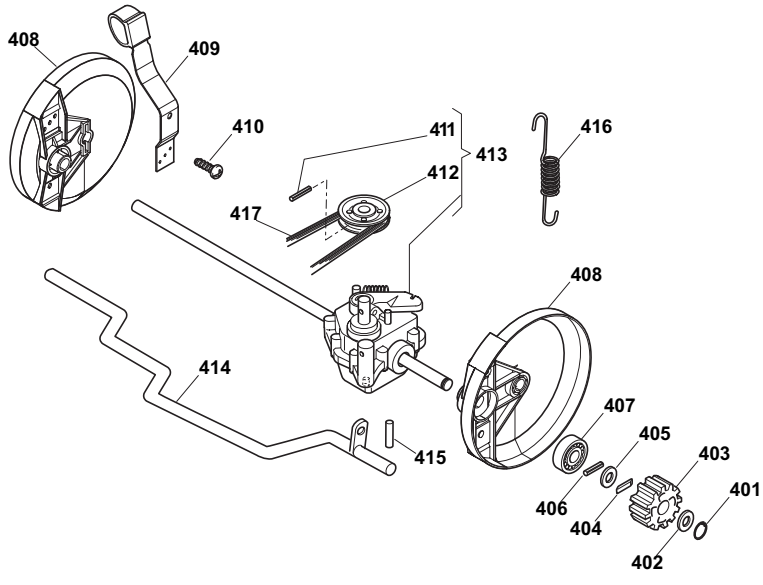
Genuine Spare Parts





Utgåva Issue 2008- 12		Bildnr Picture No 2285		COLLECTOR 46S CHASSI STYRE		COLLECTOR 46S CHASSIS HANDLE		Sida Page 98	
Pos. Fig.	Antal/Quantity				Art nr Part No	Benämning	Description	Sats Kit	Anmärkning Notes
	3834 -24 3835 -14								
X	1	1			22108271/0	Ledplåt- främre	Conveyor- front		
	2	10			12728686/0	Skruv	Screw		
	5	1			22108272/2	Ledplåt- bakre	Conveyor- rear		
	6	4			22131750/0	Mutter	Nut		
	8	1			22785140/1	Hållare	Support		
	9	1			22517858/0	Axel	Shaft		
	10	1			22450431/0	Fjäder	Spring		
	11	1			322600100/1	Lucka	Stone guard		
	12	2/1			12793701/0	Skruv	Screw		
	13	2/1			12293201/0	Mutter	Nut		
	17	0/1			12691115/0	Skruv	Screw		
	18	1			12540060/0	Bricka	Washer		
	19	1			12293200/0	Mutter	Nut		
	20	1			22671651/0	Bricka	Washer		
	21	1			22060212/0	Remskydd	Belt protection		
	22	1			25670011/0	Bricka	Washer		
	23	1			12155000/0	Mutter	Nut		
	24	2			12728686/0	Skruv	Screw		
	25	4			12760605/0	Skruv	Screw		
	26	4			12521350/0	Bricka	Washer		
	27	1			81006570/0	Styre- underdel	Handle- lower		
	28	1			81003801/1	Snörhållare	Rope holder		
	29	2			22680006/1	Bricka	Washer		
X	30	2			322399804/1	Låsratt	Locking knob		
	31	2			12293200/0	Mutter	Nut		
	32	1			12819201/0	Skruv	Screw		
	33	1			81008648/1	Skruvsats	Screw set		
	34	1			22140226/0	Mulchplugg	Mulch plug		
	91	1			81006577/0	Styre- överdel	Handle- upper		
	92	1			12674700/0	Skruv	Screw		
	93	1			81000612/0	Motorbromswire	Engine brake cable		GGP- motor
	94	1			12521330/0	Bricka	Washer		
	95	1			12292100/0	Mutter	Nut		
	96	1			12645710/0	Stift	Pin		
	97	1			22321700/0	Handtag	Control handle		
	99	1			81000654/0	Kopplingswire	Clutch cable		
	100	1			18564520/1	Hylsa	Fairlead		
	101	1			12769616/0	Skruv	Screw		
	102	1			22806521/0	Klämma	Clamp		
	103	1			12292100/0	Mutter	Nut		
	104	1			22321701/0	Handtag	Control handle		
	105	1			12645710/0	Stift	Pin		
	151	1			12291000/0	Mutter	Nut		
	152	1			12581500/0	Låsbricka	Washer		
	153	1			22171005/0	Distans	Spacer		
	154	1			12521360/0	Bricka	Washer		
	155	1			12508100/0	Låsbricka	Washer		
	156	1			81007220/0	Gasarm	Throttle lever		
	157	1			81007080/0	Gaswire	Throttle cable		
	158	1			12815000/0	Skruv	Screw		
	159	1			14356702/0	Dekal	Label		
	501	1			1111- 9120- 01	Knivfäste m.remskiva	Hub w. pulley		
	502	1			1111- 9143- 01	Kniv	Blade		
	503	1			22160400/0	Bricka	Elastic washer		
	504	1			12523080/0	Bricka	Washer		
	505	1			12735698/0	Skruv	Screw		
	506	1			12139100/0	Kil	Key		
	601	1			22486121/0	Uppsamlare- överdel	Grassbox- upper		
	602	1			22486128/0	Uppsamlare- underdel	Grassbox- lower		

Utgåva Issue 2008- 12		Bildnr Picture No 2484		COLLECTOR 46S CHASSI STYRE		COLLECTOR 46S CHASSIS HANDLE		Sida Page 100	
Pos. Fig.	Antal/Quantity				Art nr Part No	Benämning	Description	Sats Kit	Anmärkning Notes
	3880 -34	3881 -44							
X	1	1			22108271/0	Ledplåt- främre	Conveyor- front		
	2	10	10		12728686/0	Skruv	Screw		
	5	1	1		22108272/2	Ledplåt- bakre	Conveyor- rear		
	6	4	4		22131750/0	Mutter	Nut		
	8	1	1		22785140/1	Hållare	Support		
	9	1	1		22517858/0	Axel	Shaft		
	10	1	1		22450431/0	Fjäder	Spring		
	11	1	1		322600100/1	Lucka	Stone guard		
	12	2/1	2/1		12793701/0	Skruv	Screw		
	13	2/1	2/1		12293201/0	Mutter	Nut		
	17	0/1	0/1		12691115/0	Skruv	Screw		
	18	1	1		12540060/0	Bricka	Washer		
	19	1	1		12293200/0	Mutter	Nut		
	20	1	1		22671651/0	Bricka	Washer		
	21	1	1		22060212/0	Remskydd	Belt protection		
	22	1	1		25670011/0	Bricka	Washer		
	23	1	1		12155000/0	Mutter	Nut		
	24	2	2		12728686/0	Skruv	Screw		
	25	4	4		12760605/0	Skruv	Screw		
	26	4	4		12521350/0	Bricka	Washer		
	27	1	1		81006570/0	Styre- underdel	Handle- lower		
	28	1	1		81003801/1	Snörhållare	Rope holder		
	29	2	2		22680006/1	Bricka	Washer		
X	30	2	2		322399804/1	Lås ratt	Locking knob		
	31	2	2		12293200/0	Mutter	Nut		
	32	1	1		12819201/0	Skruv	Screw		
	33	1	1		81008648/1	Skruvsats	Screw set		
	34	1	1		22140226/0	Mulchplugg	Mulch plug		
	36		1		81007024/0	Styre- överdel	Handle- upper		
	37		1		81000612/0	Motorbromswire	Engine brake cable		
	38		1		81003291/3	Reglagebygel	Control lever- engine		
	39		2		22041966/0	Bussning	Bush		
X	40		1		381000778/0	Kopplingswire	Clutch cable		
	43		2		22041965/1	Bussning	Bush		
	44		1		81003288/1	Reglagebygel	Control lever- drive		
X	111	1			381006579/1	Styre- överdel	Handle- upper		
	112	1			12689500/0	Skruv	Screw		
	113	1			22551640/0	Wirefäste	Wire bracket		
	114	1			81000659/0	Kopplingswire	Clutch cable		
	115	1			81003297/1	Reglagebygel- drivning	Control lever- drive		
X	116	1			81000657/0	Motorbromswire	Engine brake cable		
	117	1			81003298/1	Reglagebygel	Control lever		
	118	1			12521330/0	Bricka	Washer		
	119	1			12292100/0	Mutter	Nut		
	151	1	1		12291000/0	Mutter	Nut		
	152	1	1		12581500/0	Låsbricka	Washer		
	153	1	1		22171005/0	Distans	Spacer		
	154	1	1		12521360/0	Bricka	Washer		
	155	1	1		12508100/0	Låsbricka	Washer		
	156	1	1		81007220/0	Gasarm	Throttle lever		
	157	1	1		81007080/0	Gaswire	Throttle cable		
	158	1	1		12815000/0	Skruv	Screw		
	159	1			14356702/0	Dekal	Label		
	159		1		14356703/0	Dekal	Label		
	501	1	1		1111- 9120- 01	Knivfäste m.remskiva	Hub w. pulley		
	502	1	1		1111- 9143- 01	Kniv	Blade		
	503	1	1		22160400/0	Bricka	Elastic washer		
	504	1	1		12523080/0	Bricka	Washer		
	505	1	1		12735698/0	Skruv	Screw		
	506	1	1		12139100/0	Kil	Key		
	601	1	1		22486121/0	Uppsamlare- överdel	Grassbox- upper		
	602	1	1		22486128/0	Uppsamlare- underdel	Grassbox- lower		



Utgåva Issue 2008- 12		Bildnr Picture No 2287A		COLLECTOR 46S HJULUPPHÄNGNING TRANSMISSION		COLLECTOR 46S WHEEL SUSPENSION TRANSMISSION		Sida Page 102	
Pos. Fig.	Antal/Quantity			Art nr Part No	Benämning	Description	Sats Kit	Anmärkning Notes	
	3880 -34 3881 -44	3834 -24 3835 -14							
351	1	1		81002542/0	Chassi- gul.....	Chassis- yellow			
352	2	2		12155000/0	Mutter.....	Nut			
353	1	1		81000153/0	Hjulaxel.....	Wheel axle.....			
354	2	2		12760600/0	Skruv.....	Screw			
355	2	2		22131750/0	Mutter.....	Nut			
356	2	2		22600095/0	Hjulskydd.....	Wheel protection.....			
357	2	2		22671651/0	Bricka	Washer.....			
358	4			22034508/0	Bussning	Bushing.....			
359	2	2		22686091/1	Hjul.....	Wheel.....			
360	2	2		22524341/0	Hjulbult.....	Wheel bolt.....			
361	2	2		22110394/0	Navkapsel	Hub cap.....			
362	1	1		22033317/0	Höjdinst.stång	Height adjust rod			
363	2	2		22120109/0	Kuggring.....	Sprocket ring			
364	2	2		22170622/0	Distans	Spacer			
365	2	2		22686093/0	Hjul.....	Wheel.....			
366	2	2		12523050/0	Bricka	Washer.....			
367	2	2		12735599/0	Skruv	Screw.....			
368	2	2		22110309/0	Navkapsel	Hub cap.....			
369	2	4		22675100/0	Bricka	Washer.....			
370	4	8		22122200/0	Kullager	Ball bearing			
401	2	2		12608520/0	Låsring	Seeger ring			
402	2	2		22160520/0	Skyddsbricka	Dust cover.....			
403	2	2		22570125/0	Drev	Pinion.....			
404	2	2		22076645/0	Kil	Key			
405	2	2		22160520/0	Skyddsbricka	Dust cover.....			
406	2	2		12622620/0	Stift.....	Pin			
407	2	2		22122202/0	Lager	Bearing.....			
408	2	2		22600106/1	Hjulskydd.....	Wheel protection.....			
409	1	1		81003303/0	Höjdinställningsspak	Height adjust lever			
410	2	2		12728689/0	Skruv	Screw.....			
411	1	1		12713801/0	• Stift.....	• Pin.....			
412	1	1		22601904/0	• Remskiva.....	• Belt pulley			
413	1	1		81003093/0	Transmission kpl	Transmission assy		Inkl. pos 411 - 412	
414	1	1		81000159/0	Hjulaxel.....	Wheel axle.....			
415	2	2		22753001/0	Stift.....	Pin			
416	1	1		22450438/0	Fjäder.....	Spring			
417	1	1		35063750/0	Drivrem	Belt.....			