



## **Reservdelskatalog Parts Catalogue**

# **Deck Park 125 Combi PRO Electric**

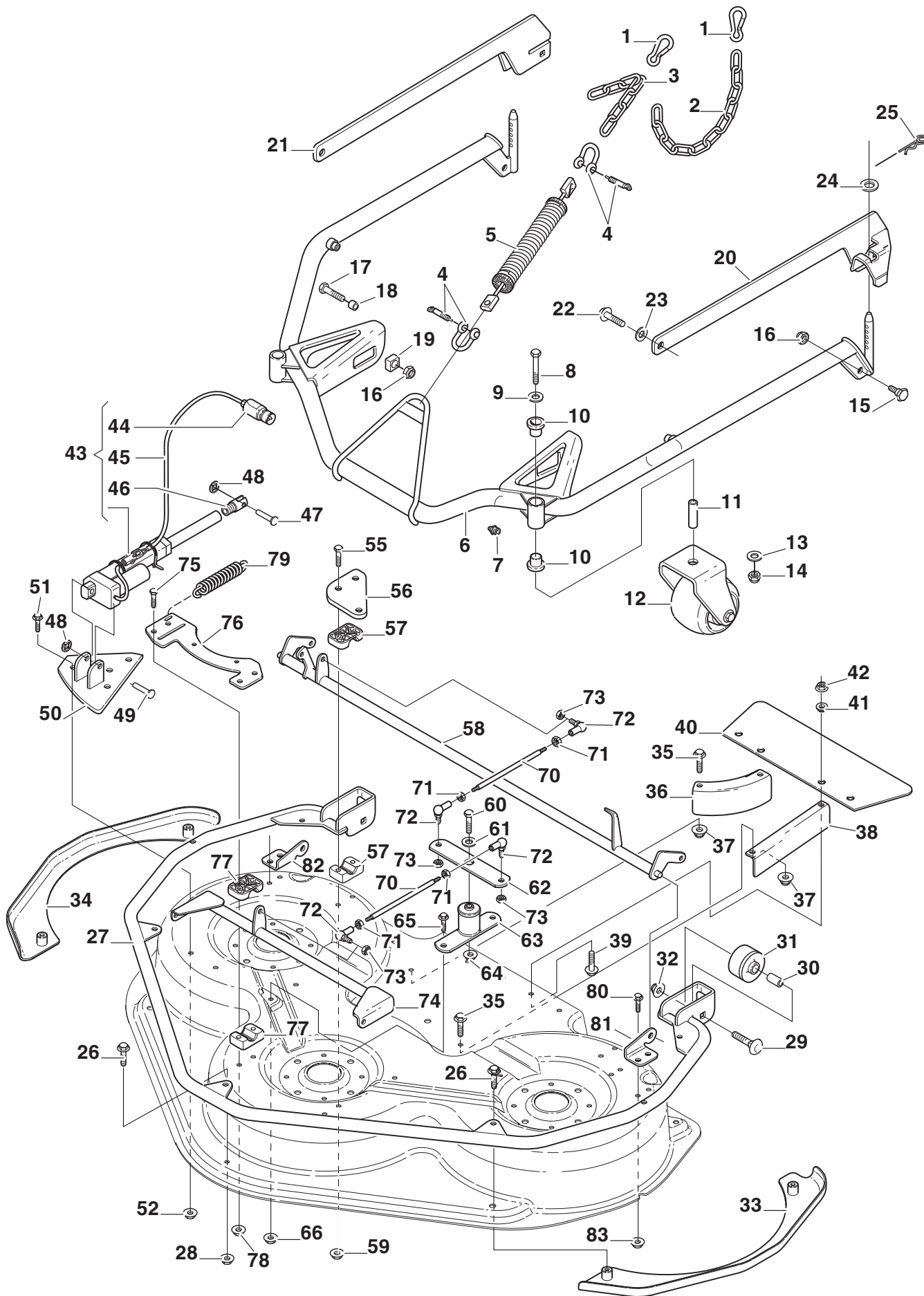
**2D6312521/S15 - Season 2016**

- Use GLOBAL GARDEN PRODUCT Genuine Spare Parts specified in the parts list for repair and/or replacement.
  - The contents described in the parts list may change due to improvement.
  - The drawings of the spare parts are only indicative and might not represent the part in question exactly.
  - The indications "right" - "left" - "front" - "rear" refer to the position of the operator when using the machine.
- When placing orders of parts for repair and/or replacement, make sure that the illustrated parts list is the one applying to the machine's year of manufacture, as shown on the identification plate attached to the machine.

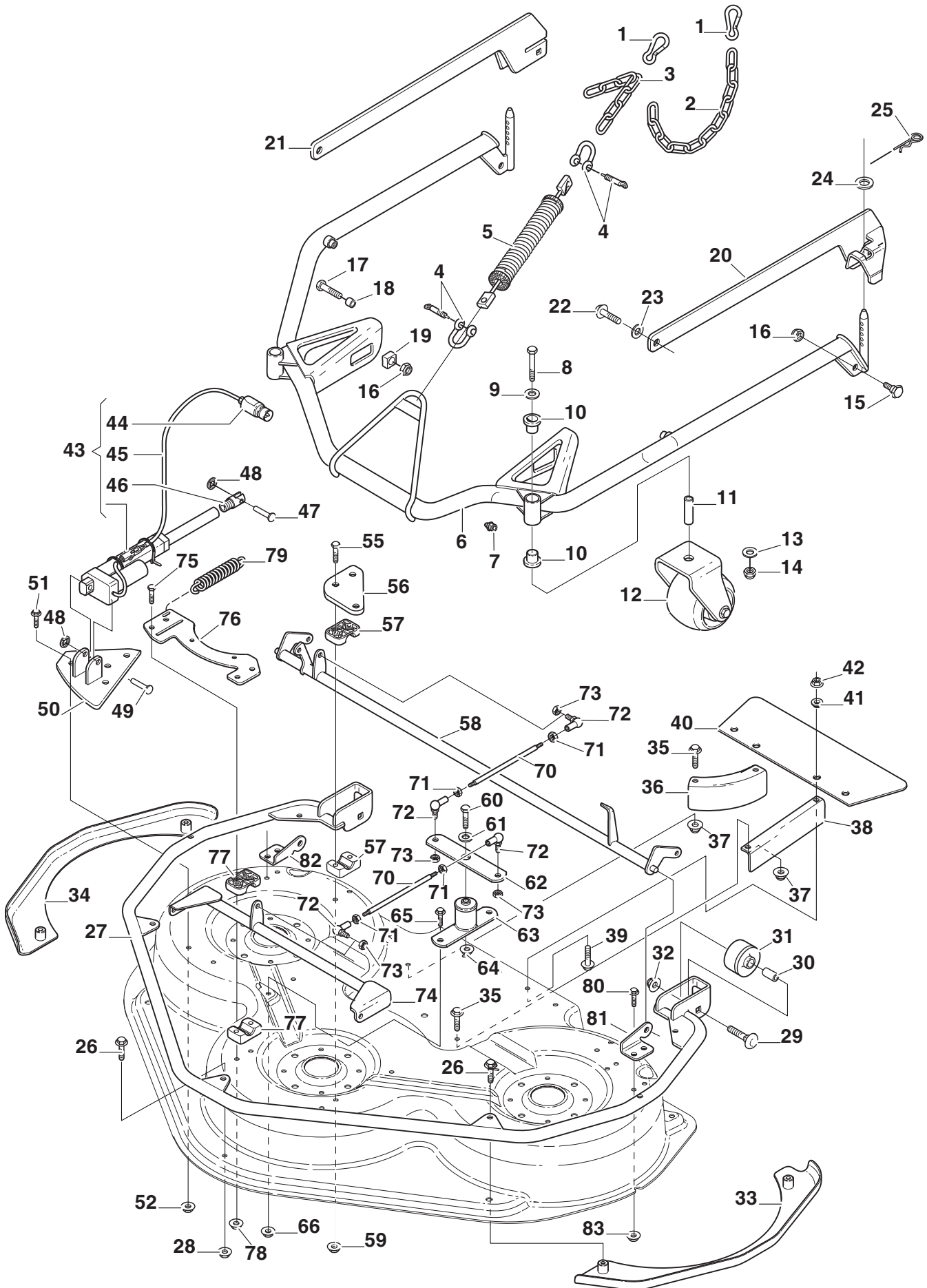
© Copyright 2016 Global Garden Products

All rights reserved. No part of this material may be reproduced or transmitted, in any form or by any means, electronic or mechanical, including photocopying, recording or by any information storage and retrieval system, without permission in writing from GLOBAL GARDEN PRODUCTS.

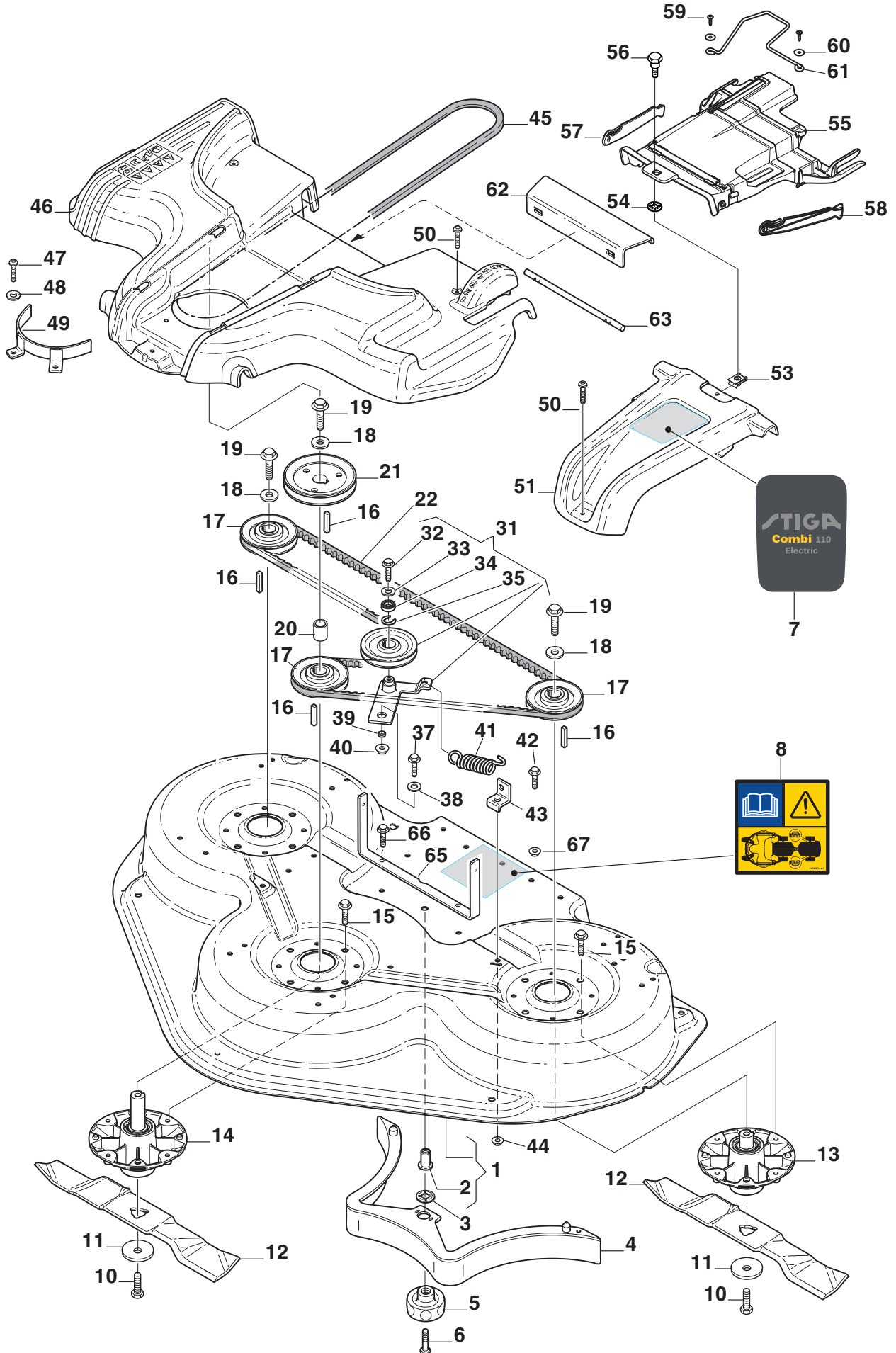
[www.stiga.com](http://www.stiga.com)



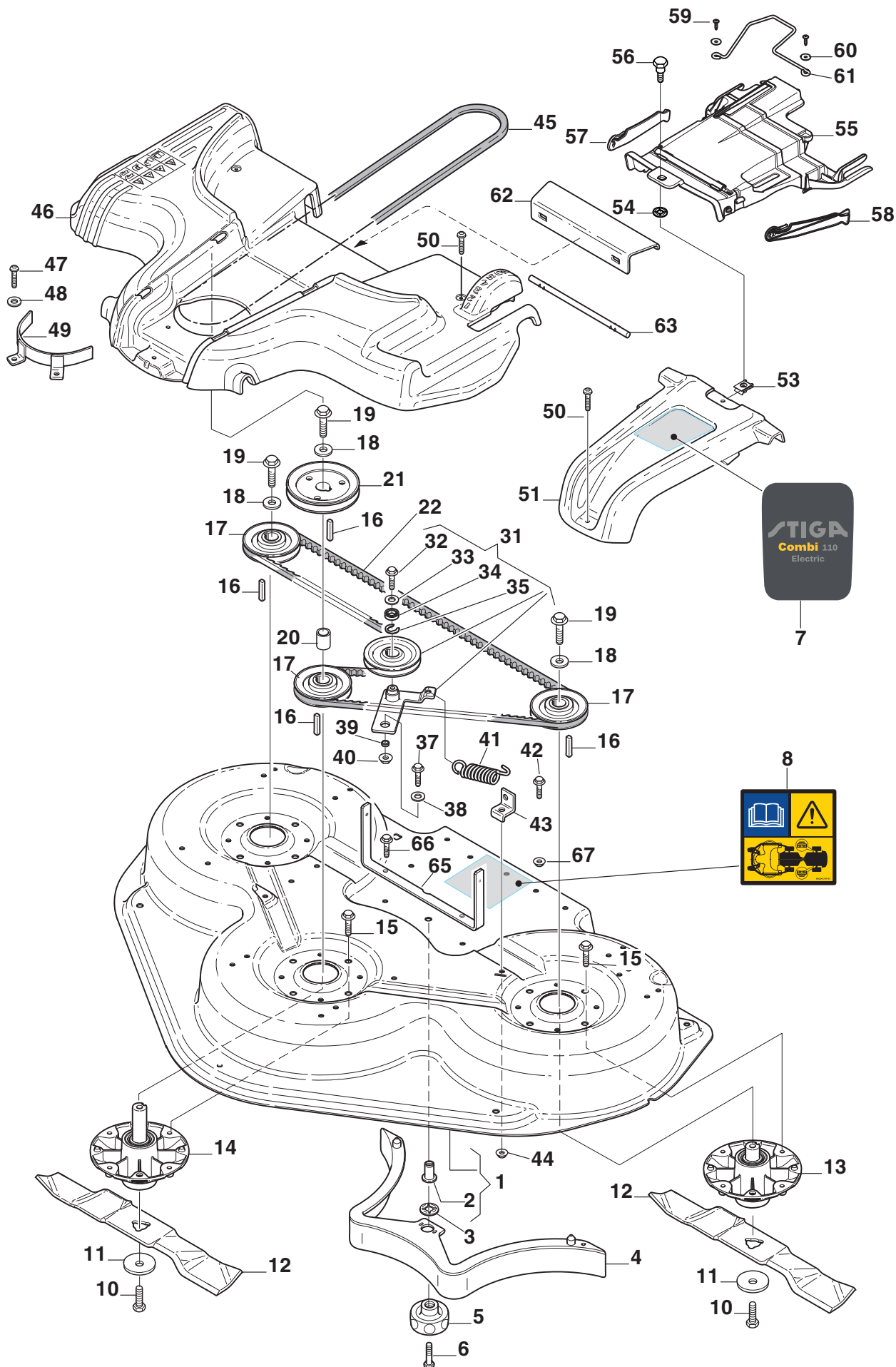
Utgåva Issue 7 - 2016		Reglage		Controls	
Pos. Fig.	Antal Q.ty	Art nr Part No	Benämning	Description	Anmärkning Notes
1	2	1134-5528-01	Karbinhake	Snap Hook	
2	1	1134-6368-03	Kedja	Chain	12 links
3	1	1134-6368-02	Kedja	Chain	7 links
4	2	1134-2629-01	Schackel	Lift Link	
5	1	1134-6365-02	Fjäder	Spring	
6	1	387869381/0	Ram	Frame	
7	2	112379511/0	Smörjnippel	Grease Dispenser	
8	2	9997-1090-12	Skruv	Screw	
9	2	9699-0030-02	Bricka	Washer	
10	1	1134-9026-01	Bussning	Bearing	Sats 4 st/kit of 4
11	2	1134-5677-01	Distans	Spacer	
12	2	1134-5884-01	Pivothjul	Pivot Wheel Assy	
13	2	9699-0030-02	Bricka	Washer	
14	2	112156602/0	Mutter	Nut	
15	2	1134-0240-01	Ansattsskruv   Skruv	Shoulder screw   Screw	
16	4	112155000/0	Mutter	Nut	
17	2	112793301/0	Skruv	Screw	
18	2	1134-5626-01	Distans	Spacer	
19	2	1134-7595-01	Distans	Spacer	
20	1	387785221/0	Aggregatsarm Kpl-Vä	Mower Deck Arm, Left	
21	1	387785219/0	Aggregatsarm Kpl-Hö	Mower Deck Arm, Right	
22	2	112800815/0	Skruv	Screw	
23	2	112523060/0	Bricka	Washer	
24	2	9699-0123-02	Bricka	Washer	17x40x6
25	2	9598-2001-02	Harnalssprint (Hns 4 Dubbel)	Spring Pin	
26	5	9959-0820-16	Skruv	Screw	
27	1	387869251/0	Skyddsram Kpl	Protection Frame	
28	1	112154220/0	Mutter	Nut	
29	2	9897-1060-12	Skruv	Screw	
30	2	1134-0041-04	Bussning	Bushing	
31	2	1134-3434-01	Rulle	Roller	
32	2	9739-1031-22	Mutter	Nut	
33	1	387603353/0	Slitskydd Kpl-Vä	Wear Protection Assy-Lh	
34	1	387603351/0	Slitskydd Kpl-Hö	Wear Protection Assy-Rh	
35	4	9959-0820-16	Skruv	Screw	
36	1	1134-5554-02	Ledskena Kpl-Böjd (Svart) 5-01	Guide Plate-Curved (Black)	
37	4	112154220/0	Mutter	Nut	
38	1	1134-5553-02	Ledskena-Rak (Svart) 5-01	Guide Plate-Straight (Black)	
39	2	9959-0820-16	Skruv	Screw	
40	1	1134-5885-01	Gummiskydd	Rubber Flap	
41	4	1134-4185-01	Ansatsbricka	Flange Washer	
42	2	112154220/0	Mutter	Nut	
43	1	1134-6416-01	Ställdon	Electric Lifter	
44	1	1134-6373-01	Kolvstangsända	Rod End	
45	1	1134-6418-01	Kabel (L835 Mm)	Cable	L = 835 mm
46	1	1134-6182-01	Hankontakt	Male Terminal	
47	1	9646-0098-22	Nit Kn 8X32	Rivet	
48	2	112604899/0	Starlock	Crown Fastener	
49	1	9646-0105-22	Nit   Nit Kn 8X45	Rivet	



Utgåva Issue 7 - 2016		Reglage Controls			
Pos. Fig.	Antal Q.ty	Art nr Part No	Benämning	Description	Anmärkning Notes
50	1	1134-5981-01	Fäste Kpl	Bracket Assy	
51	2	9959-0820-16	Skruv	Screw	
52	2	112154220/0	Mutter	Nut	
55	4	112691200/0	Skruv	Screw	
56	2	1134-5471-01	Överfall-Bak	Bearing Plate-Rear	
57	4	1134-5469-01	Lagerhalva	Bearing Half	
58	1	1134-7603-01	Bakaxel Kpl (1-00)	Rear Axle Assy	
59	4	112154220/0	Mutter	Nut	
60	1	9997-0880-16	Skruv	Screw	
61	1	1134-5127-01	Bricka	Washer	
62	1	1134-5855-01	Länkarm	Pivot Arm	
63	1	1134-5858-01	Pivotfäste	Pivot Bracket	
64	1	112154220/0	Mutter	Nut	
65	2	9959-0820-16	Skruv	Screw	
66	2	112154220/0	Mutter	Nut	
70	2	1134-5473-01	Tryckstang	Push Rod	
71	4	112154220/0	Mutter	Nut	
72	4	9570-0002-00	Vinkellänk As13 Din 71802M8	Elbow Link	
73	4	112155000/0	Mutter	Nut	
74	1	387000151/0	Framaxel Kpl	Front Axle	
75	4	112691200/0	Skruv	Screw	
76	1	1134-5846-01	Överfall-Fram	Bearing Plate-Front	
77	4	1134-5469-01	Lagerhalva	Bearing Half	
78	4	112154220/0	Mutter	Nut	
79	1	1134-5847-01	Fjäder	Spring	
80	4	9959-0820-16	Skruv	Screw	
81	1	1134-7490-01	Fäste-Vä (1-00)	Bracket-Lh	
82	1	1134-7490-02	Fäste-Hö (1-00)	Bracket-Rh	
83	4	112154220/0	Mutter	Nut	



Utgåva Issue 7 - 2016		Transmission Knivar		Transmission and Blades	
Pos. Fig.	Antal Q.ty	Art nr Part No	Benämning	Description	Anmärkning Notes
1	1	1134-7750-01	Kapa (1-00)	Casing	Inkl. pos 24
2	1	1134-5595-01	Blindnitmutter	Nut	
3	1	112604899/0	Starlock	Crown Fastener	
4	1	1134-5409-02	Mulcherplugg-Svart (5-01)	Mulch Plug-Black	
5	1	322399804/1	Mutter	Nut	
6	1	112691115/0	Skruv	Screw	
7	1	114368553/0	Dekal Combi 125 Electric	Label Combi 125 Electric	
8	1	9402-3701-01	Varningsdekal	Label	
10	3	112692395/1	Skruv	Screw	
11	3	1134-6211-01	Bricka	Washer	
12	1	1134-9125-01	Knivbalk Kpl (125 Combi)	Blade Bar Assy (125 Combi)	Sats 3 st/kit of 3
13	2	1134-5831-01	Lagerbox Kpl	Bearing Box Assy	
14	1	1134-5831-02	Lagerbox Kpl	Bearing Box Assy	
15	12	9945-0825-16	Skruv	Screw	
16	4	9600-0171-01	Kil	Key	6 x 6 x 25 mm
17	3	1137-0015-01	Remskiva	Pulley	Ø = 106 mm
18	3	1134-5406-01	Bricka	Washer	
19	3	112692395/1	Skruv	Screw	
20	1	1134-5400-03	Distans	Spacer	L = 20 mm
21	1	1137-0017-01	Remskiva	Pulley	Ø = 150 mm
22	1	1134-9087-01	Drivrem	Drive Belt	9585-0142-01
31	1	1134-7611-01	Spännrulle Smst	Tension Roller Assy	Inkl. 32-35
32	1	9945-0816-16	Skruv	Screw	
33	1	9699-0056-02	Bricka	Washer	
34	1	9549-0061-01	Lager	Bearing	
35	1	9651-0035-04	Sparring Sgh 35	Circlip	
37	1	9959-0820-16	Skruv	Screw	
38	1	9699-0109-02	Bricka	Washer	
39	1	1134-7618-01	Distans	Spacer	
40	1	112154220/0	Mutter	Nut	
41	1	1134-0327-00	Fjäder	Spring	
42	1	9959-0820-16	Skruv	Screw	
43	1	1134-5415-01	Fjäder	Spring	
44	1	112154220/0	Mutter	Nut	
45	1	1134-9103-01	Drivrem	Drive Belt	9585-0156-01 4WD
45	1	1134-9152-01	Kilrem	V-Belt	9585-0202-01 2WD
46	1	337060013/0	Remskydd	Belt cover	
47	2	9893-0616-16	Skruv   Relä	Screw   Relay	
48	1	9699-0060-02	Bricka	Washer	
49	1	1134-6017-01	Remstyrning	Belt Guide	
50	3	9893-0616-16	Skruv   Relä	Screw   Relay	
51	1	1137-0269-03	Täckkapa-Gul (1-00)	Cover-Yellow	
53	1	1134-4620-02	Fjädermutter	Nut	
54	1	9675-0016-02	Låsbricka starlock	Starlock	
55	1	337060009/0	Remskydd	Belt cover	
56	1	1134-0240-00	Skruv	Screw	
57	1	337785031/0	Stöd-Hö	Support, Right	
58	1	337785033/0	Stöd-Vä	Support, Left	
59	2	112728699/0	Skruv	Screw	





Utgåva Issue 7 - 2016		Transmission Knivar Transmission and Blades			
Pos. Fig.	Antal Q.ty	Art nr Part No	Benämning	Description	Anmärkning Notes
60	2	112521460/0	Bricka	Washer	
61	1	137294102/0	Remstyrning	Belt Guide	
63	1	1137-1090-01	Stift	Pin	
64	1	1134-6103-01	Slitskydd	Wear Protection	
65	1	1137-1080-01	Bygel	Bracket	
66	1	112800815/0	Skruv	Screw	
67	1	112154220/0	Mutter	Nut	

code	pos.	q.ty	page						
1134-0041-04	30	2	p. 3	9651-0035-04	35	1	p. 7	387869381/0	6 1 p. 3
1134-0240-00	56	1	p. 7	9675-0016-02	54	1	p. 7		
1134-0240-01	15	2	p. 3	9699-0030-02	9	2	p. 3		
1134-0327-00	41	1	p. 7	9699-0030-02	13	2	p. 3		
1134-2629-01	4	2	p. 3	9699-0056-02	33	1	p. 7		
1134-3434-01	31	2	p. 3	9699-0060-02	48	1	p. 7		
1134-4185-01	41	4	p. 3	9699-0109-02	38	1	p. 7		
1134-4620-02	53	1	p. 7	9699-0123-02	24	2	p. 3		
1134-5127-01	61	1	p. 5	9739-1031-22	32	2	p. 3		
1134-5400-03	20	1	p. 7	9893-0616-16	47	2	p. 7		
1134-5406-01	18	3	p. 7	9893-0616-16	50	3	p. 7		
1134-5409-02	4	1	p. 7	9897-1060-12	29	2	p. 3		
1134-5415-01	43	1	p. 7	9945-0816-16	32	1	p. 7		
1134-5469-01	57	4	p. 5	9945-0825-16	15	12	p. 7		
1134-5469-01	77	4	p. 5	9959-0820-16	26	5	p. 3		
1134-5471-01	56	2	p. 5	9959-0820-16	35	4	p. 3		
1134-5473-01	70	2	p. 5	9959-0820-16	37	1	p. 7		
1134-5528-01	1	2	p. 3	9959-0820-16	39	2	p. 3		
1134-5553-02	38	1	p. 3	9959-0820-16	42	1	p. 7		
1134-5554-02	36	1	p. 3	9959-0820-16	51	2	p. 5		
1134-5595-01	2	1	p. 7	9959-0820-16	65	2	p. 5		
1134-5626-01	18	2	p. 3	9959-0820-16	80	4	p. 5		
1134-5677-01	11	2	p. 3	9997-0880-16	60	1	p. 5		
1134-5831-01	13	2	p. 7	9997-1090-12	8	2	p. 3		
1134-5831-02	14	1	p. 7	112154220/0	28	1	p. 3		
1134-5846-01	76	1	p. 5	112154220/0	37	4	p. 3		
1134-5847-01	79	1	p. 5	112154220/0	40	1	p. 7		
1134-5855-01	62	1	p. 5	112154220/0	42	2	p. 3		
1134-5858-01	63	1	p. 5	112154220/0	44	1	p. 7		
1134-5884-01	12	2	p. 3	112154220/0	52	2	p. 5		
1134-5885-01	40	1	p. 3	112154220/0	59	4	p. 5		
1134-5981-01	50	1	p. 5	112154220/0	64	1	p. 5		
1134-6017-01	49	1	p. 7	112154220/0	66	2	p. 5		
1134-6103-01	64	1	p. 9	112154220/0	67	1	p. 9		
1134-6182-01	46	1	p. 3	112154220/0	71	4	p. 5		
1134-6211-01	11	3	p. 7	112154220/0	78	4	p. 5		
1134-6365-02	5	1	p. 3	112154220/0	83	4	p. 5		
1134-6368-02	3	1	p. 3	112155000/0	16	4	p. 3		
1134-6368-03	2	1	p. 3	112155000/0	73	4	p. 5		
1134-6373-01	44	1	p. 3	112156602/0	14	2	p. 3		
1134-6416-01	43	1	p. 3	112379511/0	7	2	p. 3		
1134-6418-01	45	1	p. 3	112521460/0	60	2	p. 9		
1134-7490-01	81	1	p. 5	112523060/0	23	2	p. 3		
1134-7490-02	82	1	p. 5	112604899/0	3	1	p. 7		
1134-7595-01	19	2	p. 3	112604899/0	48	2	p. 3		
1134-7603-01	58	1	p. 5	112691115/0	6	1	p. 7		
1134-7611-01	31	1	p. 7	112691200/0	55	4	p. 5		
1134-7618-01	39	1	p. 7	112691200/0	75	4	p. 5		
1134-7750-01	1	1	p. 7	112692395/1	10	3	p. 7		
1134-9026-01	10	1	p. 3	112692395/1	19	3	p. 7		
1134-9087-01	22	1	p. 7	112728699/0	59	2	p. 7		
1134-9103-01	45	1	p. 7	112793301/0	17	2	p. 3		
1134-9125-01	12	1	p. 7	112800815/0	22	2	p. 3		
1134-9152-01	45	1	p. 7	112800815/0	66	1	p. 9		
1137-0015-01	17	3	p. 7	114368553/0	7	1	p. 7		
1137-0017-01	21	1	p. 7	137294102/0	61	1	p. 9		
1137-0269-03	51	1	p. 7	322399804/1	5	1	p. 7		
1137-1080-01	65	1	p. 9	337060009/0	55	1	p. 7		
1137-1090-01	63	1	p. 9	337060013/0	46	1	p. 7		
9402-3701-01	8	1	p. 7	337785031/0	57	1	p. 7		
9549-0061-01	34	1	p. 7	337785033/0	58	1	p. 7		
9570-0002-00	72	4	p. 5	387000151/0	74	1	p. 5		
9598-2001-02	25	2	p. 3	387603351/0	34	1	p. 3		
9600-0171-01	16	4	p. 7	387603353/0	33	1	p. 3		
9646-0098-22	47	1	p. 3	387785219/0	21	1	p. 3		
9646-0105-22	49	1	p. 3	387785221/0	20	1	p. 3		
				387869251/0	27	1	p. 3		