

ILLUSTRATED PARTS LIST

DM 504 WTR



- Use GLOBAL GARDEN PRODUCT Genuine Spare Parts specified in the parts list for repair and/or replacement.
- The contents described in the parts list may change due to improvement.
- The drawings of the spare parts are only indicative and might not represent the part in question exactly.
- The indications "right" - "left" - "front" - "rear" refer to the position of the operator when using the machine.
- When placing orders of parts for repair and/or replacement, make sure that the illustrated parts list is the one applying to the machine's year of manufacture, as shown on the identification plate attached to the machine.

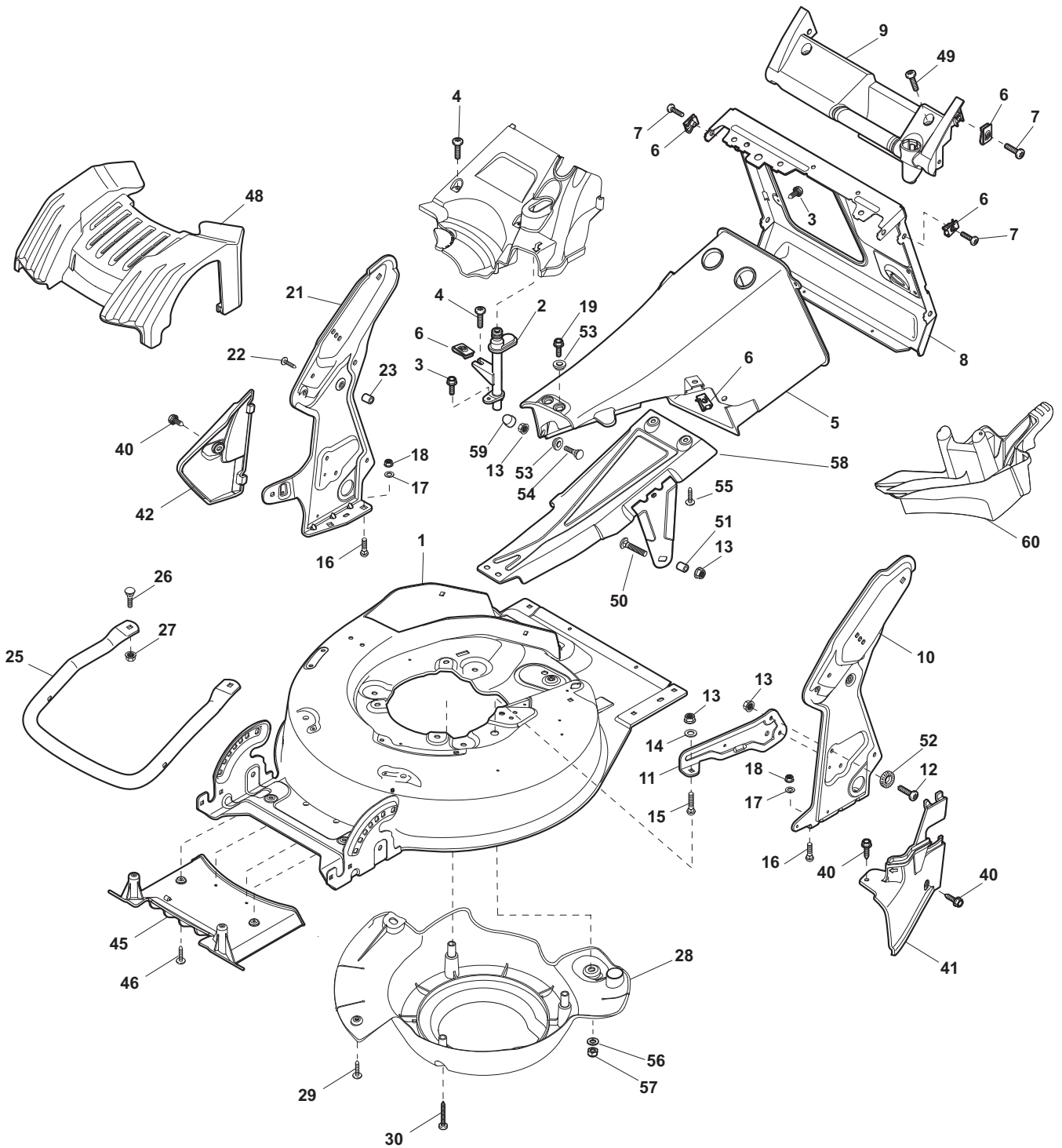
© Copyright 2012 Global Garden Products

All content is subject to copyright by Global Garden Products and may not be reproduced in whole or in part by any means, electronic or otherwise, without prior written approval.

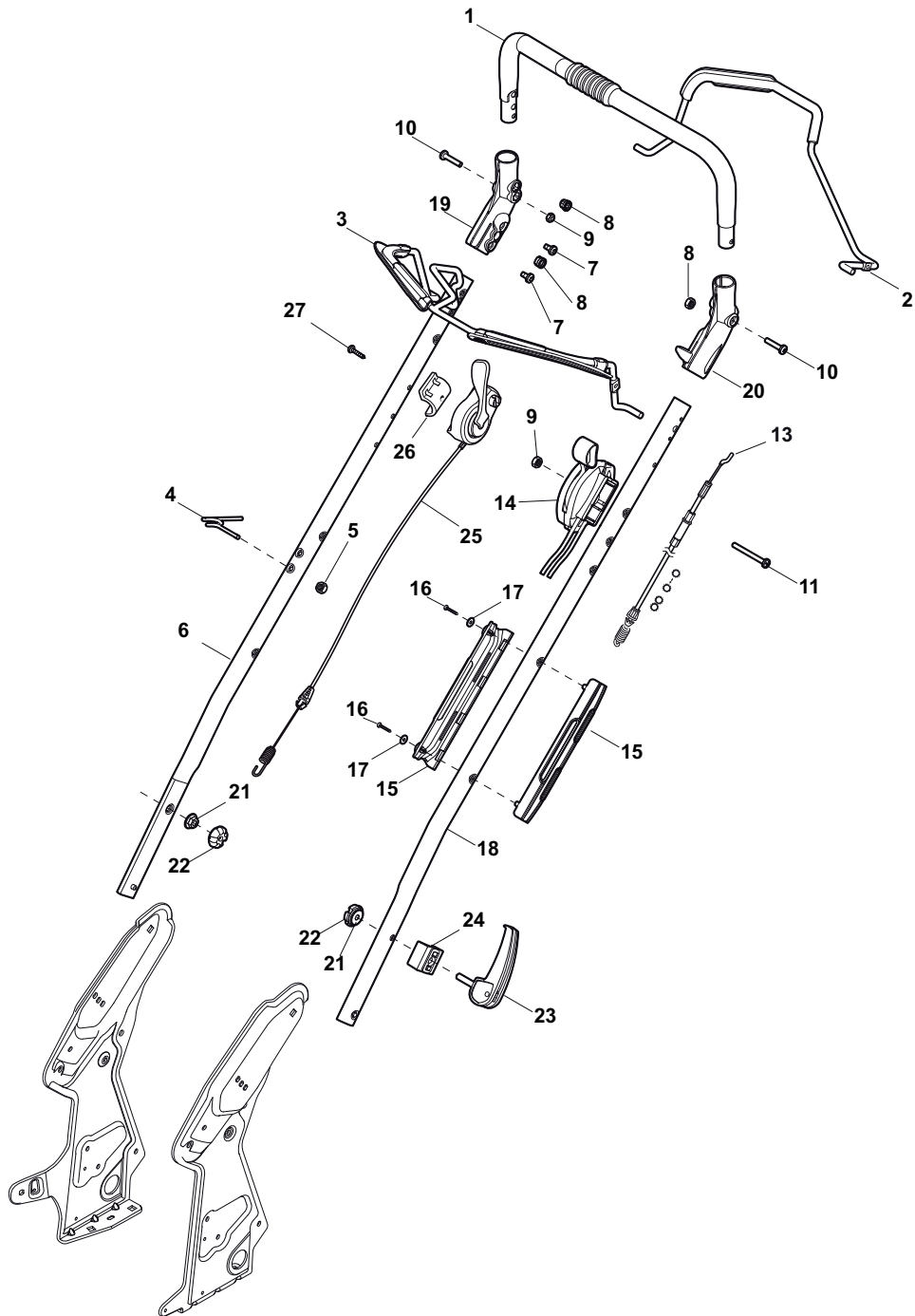
THIS INFORMATION IS NOT INTENDED FOR SALE OR RESALE, AND THIS NOTICE MUST REMAIN ON ALL COPIES.



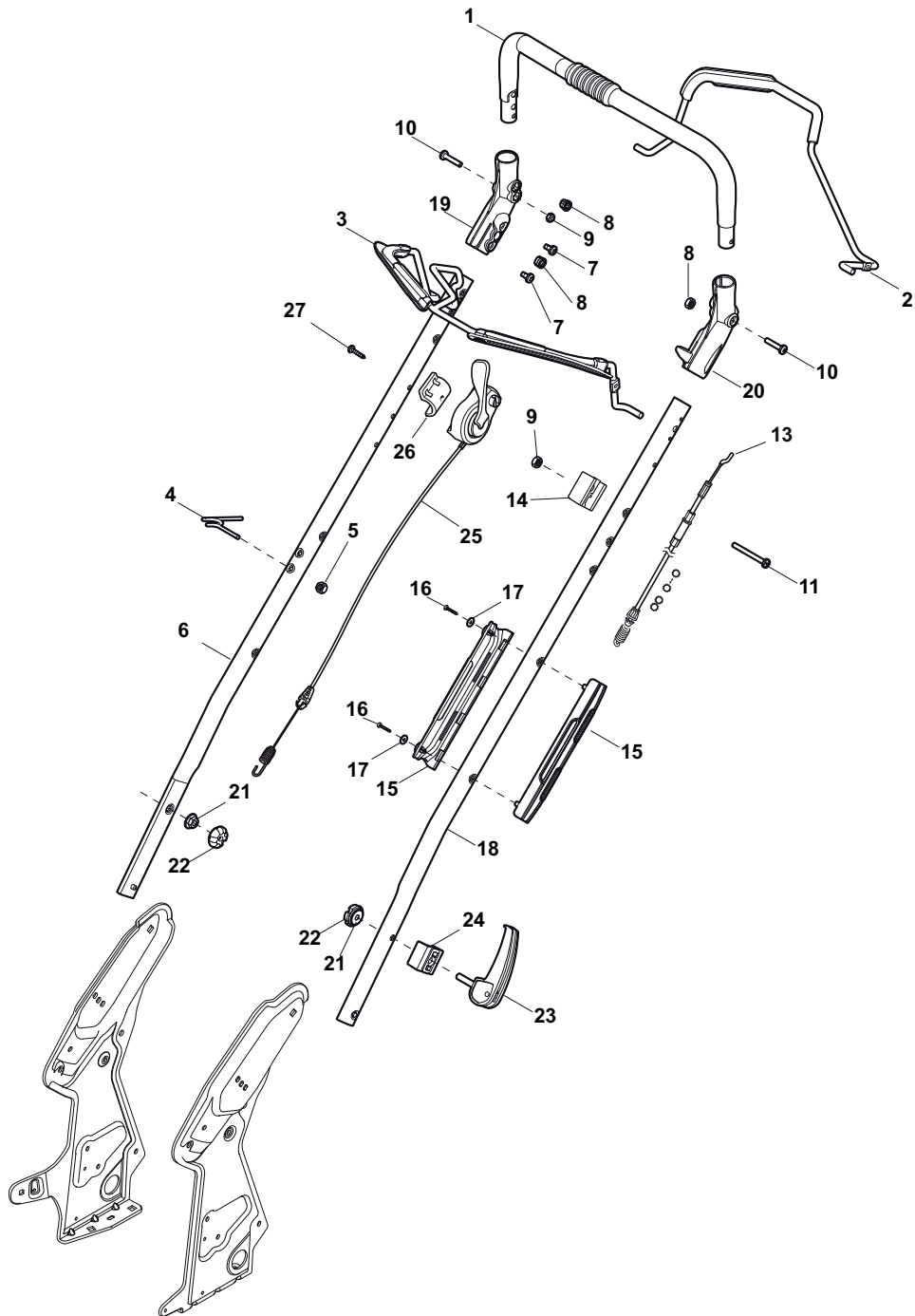
GLOBAL GARDEN PRODUCTS



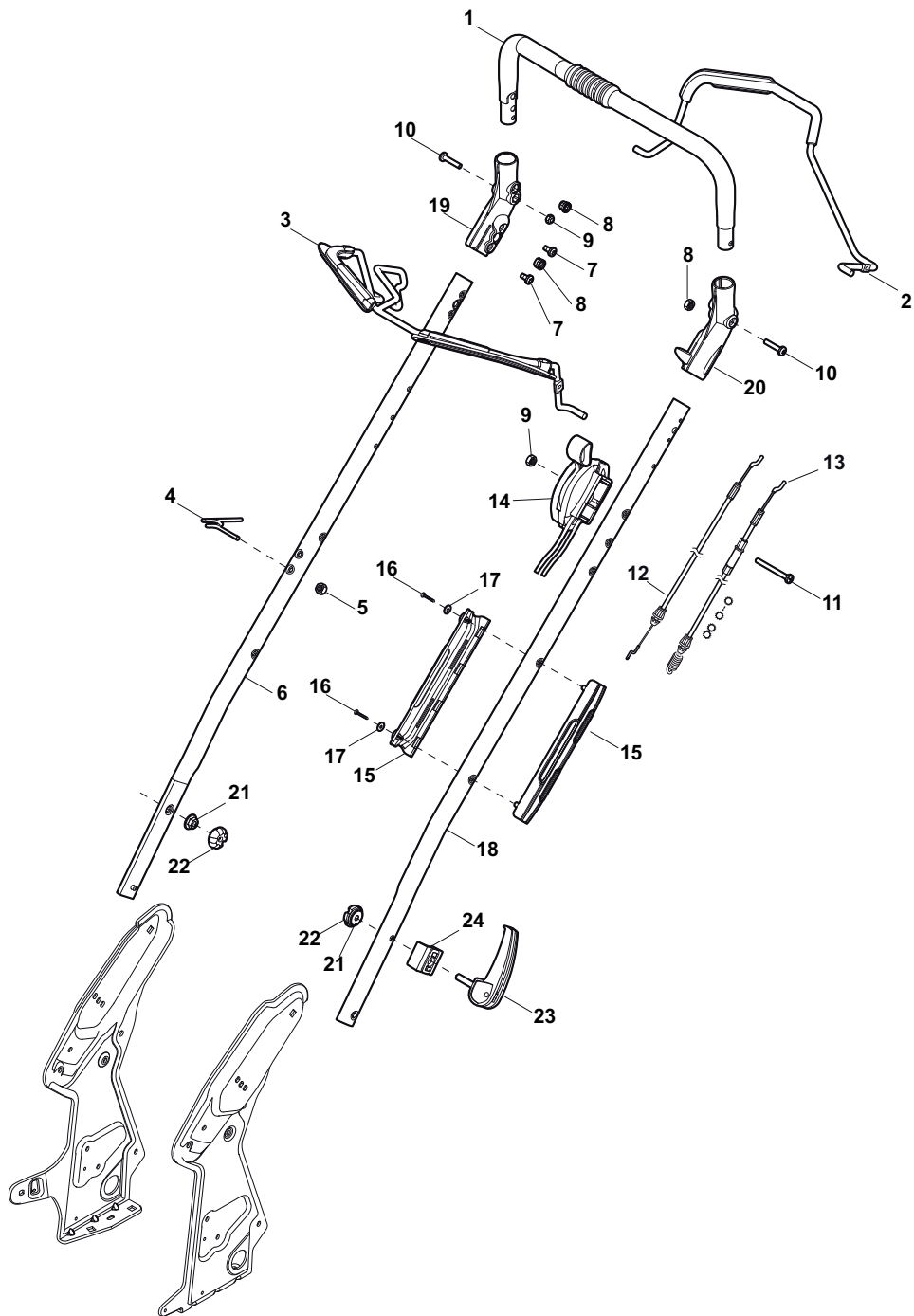
POS	PART. NO	Q.ty	DESCRIPTION	DESCRIZIONE	DESCRIPTION	BESCHREIBUNG	REMARKS
1	381004031/0	1	Deck Yellow	Chassis Giallo	Châssis Jaune	Gehäuse Gelb	
2	322034001/1	1	Washing Connection	Attacco Acqua	Attaque Lavage	Waschenverbindung	
3	125943004/0	5	Screw	Vite	Vis	Schraube	
4	112727802/0	2	Screw	Vite	Vis	Schraube	
5	322108297/0	1	Conveyor Yellow	Convogliatore Giallo	Convoyeur Jaune	Leitblechsatz Gelb	
6	112437507/0	12	Plate	Piastrina	Plaquette	Plättchen	
7	112727802/0	8	Screw	Vite	Vis	Schraube	
8	381545321/1	1	Rear Plate	Piastra Posteriore	Plaque Arriere	Hintere Platte	TR
8	381545323/1	1	Rear Plate	Piastra Posteriore	Plaque Arriere	Hintere Platte	TR/E
9	322785282/0	1	Support	Supporto	Support	Halter	
10	381545333/0	1	Bracket, L	Staffa Sx	Bride G	Pratze, Linke	
11	322545191/0	1	Support	Supporto	Support	Halter	
12	112727803/0	2	Screw	Vite	Vis	Schraube	
13	12154510/0	4	Nut	Dado	Ecrou	Mutter	
14	12521330/0	1	Washer	Rosetta	Rondelle	Scheibe	
15	12815200/0	1	Screw	Vite	Vis	Schraube	
16	12818690/0	4	Screw	Vite	Vis	Schraube	
17	12521350/0	4	Washer	Rosetta	Rondelle	Scheibe	
18	12155000/0	4	Nut	Dado	Ecrou	Mutter	
19	12729601/1	2	Screw	Vite	Vis	Schraube	
21	381545331/0	1	Bracket, R	Staffa Dx	Bride D	Pratze, Rechte	
22	112735662/1	2	Screw	Vite	Vis	Schraube	
23	122534128/0	2	Pin	Piolo	Bondon	Dübel	
25	381393701/1	2	Protection	Protezione	Protection	Schutz	
26	12815205/0	2	Screw	Vite	Vis	Schraube	
27	12154510/0	2	Nut	Dado	Ecrou	Mutter	
28	322060239/0	1	Protection Mulching	Carter Mulching	Protection Mulching	Schutz Mulching	
29	125943004/0	2	Screw	Vite	Vis	Schraube	
30	112735115/0	3	Screw	Vite	Vis	Schraube	
31	322500052/2	1	Shoe	Pattino	Bloc De Glissement	Gleitblock	
32	12731580/0	2	Screw	Vite	Vis	Schraube	
33	12521331/0	2	Washer	Rosetta	Rondelle	Scheibe	
34	381003338/0	1	Lever	Leva Comando	Levier	Hebel	
35	21660100/0	1	Washer	Rosetta	Rondelle	Scheibe	
36	12521370/0	1	Washer	Rondella	Rondelle	Scheibe	
37	12154210/0	1	Nut	Dado	Ecrou	Mutter	
38	322320009/0	1	Lever	Leva	Levier	Hebel	
39	122042022/0	1	Bush	Bussola	Douille	Buchse	
40	125943004/0	3	Screw	Vite	Vis	Schraube	
41	322109826/0	1	Guard Black	Carter Nero	Carter Noire	Blech Schwarz	
42	322109825/0	1	Guard Black	Carter Nero	Carter Noire	Blech Schwarz	
45	322500100/0	1	Air Intake Grill	Griglia Aspirazione	Grille D'Aspiration	Ansauggitter	
46	112728706/0	6	Screw	Vite	Vis	Schraube	
48	322226135/0	1	Mask, Yellow	Mascherina, Giallo	Mesque, Jaune	Maske, Gelb	
48	322226138/0	1	Mask, Black	Mascherina, Nero	Mesque, Noir	Maske, Schwarz	
49	112727801/0	2	Screw	Vite	Vis	Schraube	
50	112815270/0	2	Screw	Vite	Vis	Schraube	
51	122671664/0	2	Spacer	Distanziale	Entretoise	Distanzring	
52	12540040/0	2	Washer	Rosetta	Rondelle	Scheibe	
53	325160039/0	6	Spacer	Distanziale	Entretoise	Distanzring	
54	112794986/0	1	Screw	Vite	Vis	Schraube	
55	112727799/0	2	Screw	Vite	Vis	Schraube	
56	12521350/0	1	Washer	Rondella	Rondelle	Scheibe	
57	12155000/0	1	Nut	Dado	Ecrou	Mutter	
58	381608501/0	1	Stiffening Lower	Rinforzo Inf	Réinforcement Inf	Verstärkung	
59	18203853/0	1	Protection	Cappuccio	Capuchon	Stecker	
60	322140237/0	1	Deflector	Deflettore Mulching	Deflecteur	Deflektor	



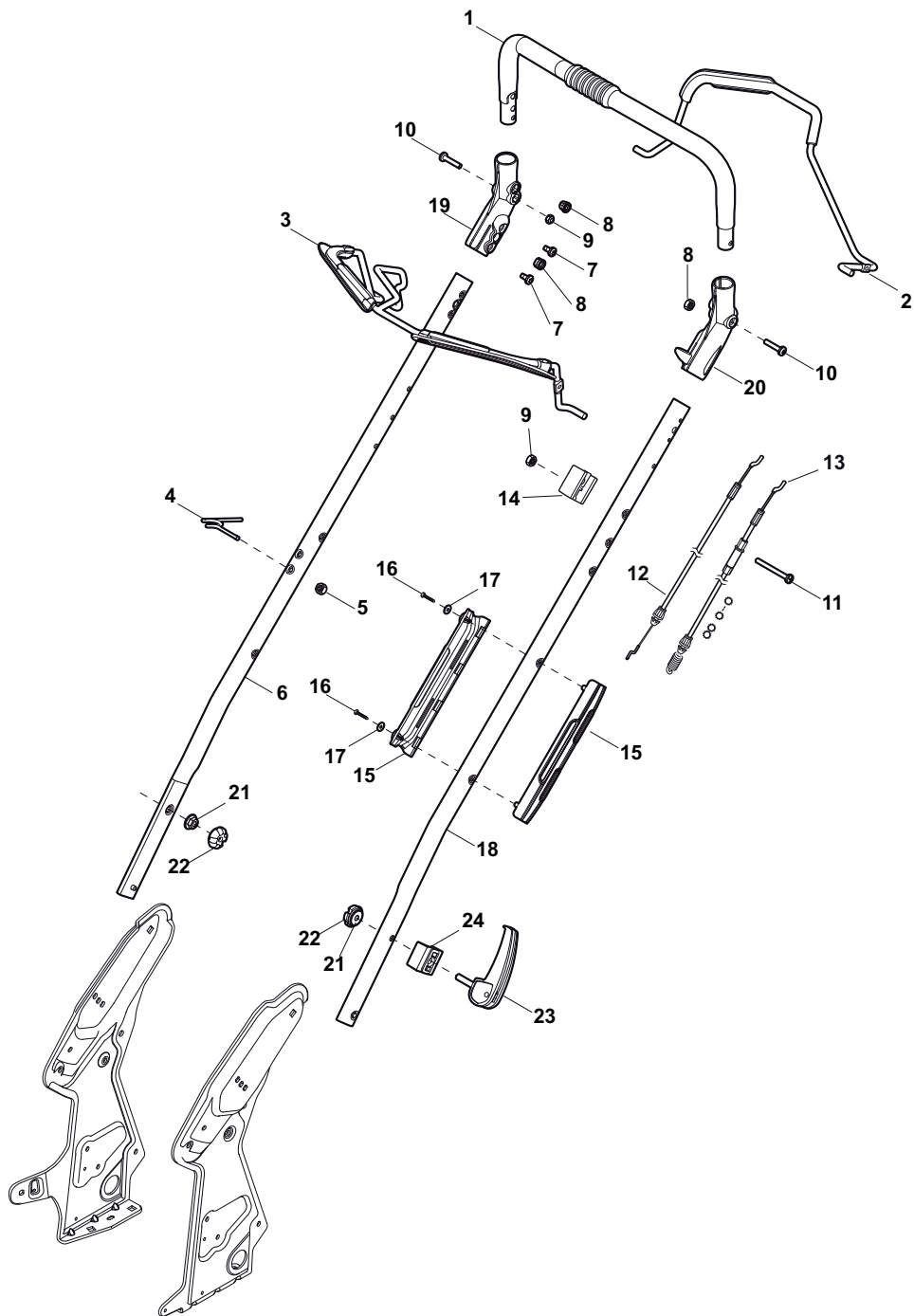
POS	PART. NO	Q.ty	DESCRIPTION	DESCRIZIONE	DESCRIPTION	BESCHREIBUNG	REMARKS
1	381006670/2	1	Handgrip	Impugnatura Manico	Poignée	Handgriff	
2	381003349/0	1	Lever, Driving	Leva Trazione	Levier Traction	Hebel, Antrieb	
3	381003346/0	1	Lever, Engine Brake	Leva Freno Motore	Levier Frein Moteur	Hebel, Motorbremse	
4	22430309/0	1	Guide Spring	Molla Guida	Ressort De Guide	Feder Führer	
5	12154330/0	1	Nut	Dado	Ecrou	Mutter	
6	381006895/0	1	Handle Black, R	Manico Nero, Dx	Mancheron Noire, D	Holm Schwarz, Rechte	
6	381006821/0	1	Handle Grey, R	Manico Grigio, Dx	Mancheron Gris, D	Holm Grau, Rechte	
7	112735662/1	4	Screw	Vite	Vis	Schraube	
8	322041967/1	3	Bush	Bussola	Douille	Buchse	
9	12154510/0	3	Nut	Dado	Ecrou	Mutter	
10	112728721/0	2	Screw	Vite	Vis	Schraube	
11	12727786/0	1	Screw	Vite	Vis	Schraube	
13	381030067/0	1	Cable, Rear Drive	Cavo Comando Trazione	Câble, Commande Traction	Kabel, Antrieb	
14	181005505/1	1	Throttle Cable	Cavo Acceleratore	Cable, Accelérateur	Gashebel Kabel	Honda
14	181005506/1	1	Throttle Cable	Cavo Acceleratore	Cable, Accelérateur	Gashebel Kabel	B&S
15	322806644/0	1	Protection	Protezione	Protection	Schutz	
16	12727812/0	2	Screw	Vite	Vis	Schraube	
17	112523000/1	2	Washer	Rosetta	Rondelle	Scheibe	
18	381006897/0	1	Handle Black, L	Manico Nero, Sx	Mancheron Noire, G	Holm Schwarz, Linke	
18	381006823/0	1	Handle Grey, L	Manico Grigio, Sx	Mancheron Gris, G	Holm Grau, Linke	
19	322488301/0	1	Support	Supporto	Support	Halter	
20	322488303/0	1	Support	Supporto	Support	Halter	
21	112154220/0	2	Nut	Dado	Ecrou	Mutter	
22	322399835/0	2	Knob	Manopolina	Poignée	Griff	
23	381003253/0	2	Handle	Maniglia	Poignée	Griff	
24	322680017/0	2	Support	Supporto	Support	Halter	
25	381030064/0	1	Cable, Mechanical Clutch	Cavo Comando Frizione Meccanica	Câble, Commande Embrayage Mecanique	Kabel, Mechanische Kupplung	
26	322000020/0	1	Support	Supporto	Support	Halter	
27	12727786/0	2	Screw	Vite	Vis	Schraube	



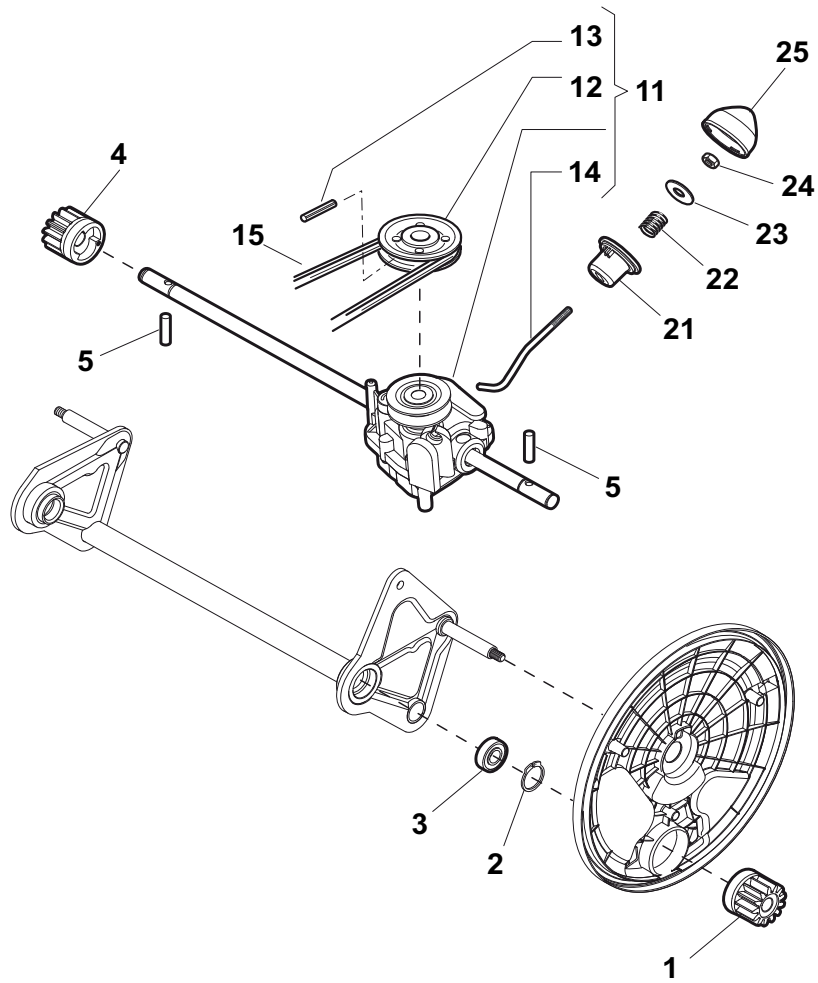
POS	PART. NO	Q.ty	DESCRIPTION	DESCRIZIONE	DESCRIPTION	BESCHREIBUNG	REMARKS
1	381006670/2	1	Handgrip	Impugnatura Manico	Poignée	Handgriff	
2	381003349/0	1	Lever, Driving	Leva Trazione	Levier Traction	Hebel, Antrieb	
3	381003346/0	1	Lever, Engine Brake	Leva Freno Motore	Levier Frein Moteur	Hebel, Motorbremse	
4	22430309/0	1	Guide Spring	Molla Guida	Ressort De Guide	Feder Führer	
5	12154330/0	1	Nut	Dado	Ecrou	Mutter	
6	381006895/0	1	Handle Black, R	Manico Nero, Dx	Mancheron Noire, D	Holm Schwarz, Rechte	
6	381006821/0	1	Handle Grey, R	Manico Grigio, Dx	Mancheron Gris, D	Holm Grau, Rechte	
7	112735662/1	4	Screw	Vite	Vis	Schraube	
8	322041967/1	3	Bush	Bussola	Douille	Buchse	
9	12154510/0	3	Nut	Dado	Ecrou	Mutter	
10	112728721/0	2	Screw	Vite	Vis	Schraube	
11	12727784/0	1	Screw	Vite	Vis	Schraube	
13	381030068/0	1	Cable, Rear Drive	Cavo Comando Trazione	Câble, Commande Traction	Kabel, Antrieb	
14	322551639/0	1	Plate	Piastrina	Plaquette	Plättchen	
15	322806644/0	1	Protection	Protezione	Protection	Schutz	
16	12727812/0	2	Screw	Vite	Vis	Schraube	
17	112523000/1	2	Washer	Rosetta	Rondelle	Scheibe	
18	381006897/0	1	Handle Black, L	Manico Nero, Sx	Mancheron Noire, G	Holm Schwarz, Linke	
18	381006823/0	1	Handle Grey, L	Manico Grigio, Sx	Mancheron Gris, G	Holm Grau, Linke	
19	322488301/0	1	Support	Supporto	Support	Halter	
20	322488303/0	1	Support	Supporto	Support	Halter	
21	112154220/0	2	Nut	Dado	Ecrou	Mutter	
22	322399835/0	2	Knob	Manopolina	Poignée	Griff	
23	381003253/0	2	Handle	Maniglia	Poignee	Griff	
24	322680017/0	2	Support	Supporto	Support	Halter	
25	381030064/0	1	Cable, Mechanical Clutch	Cavo Comando Frizione Meccanica	Câble, Commande Embrayage Mecanique	Kabel, Mechanische Kupplung	
26	322000020/0	1	Support	Supporto	Support	Halter	
27	12727786/0	2	Screw	Vite	Vis	Schraube	



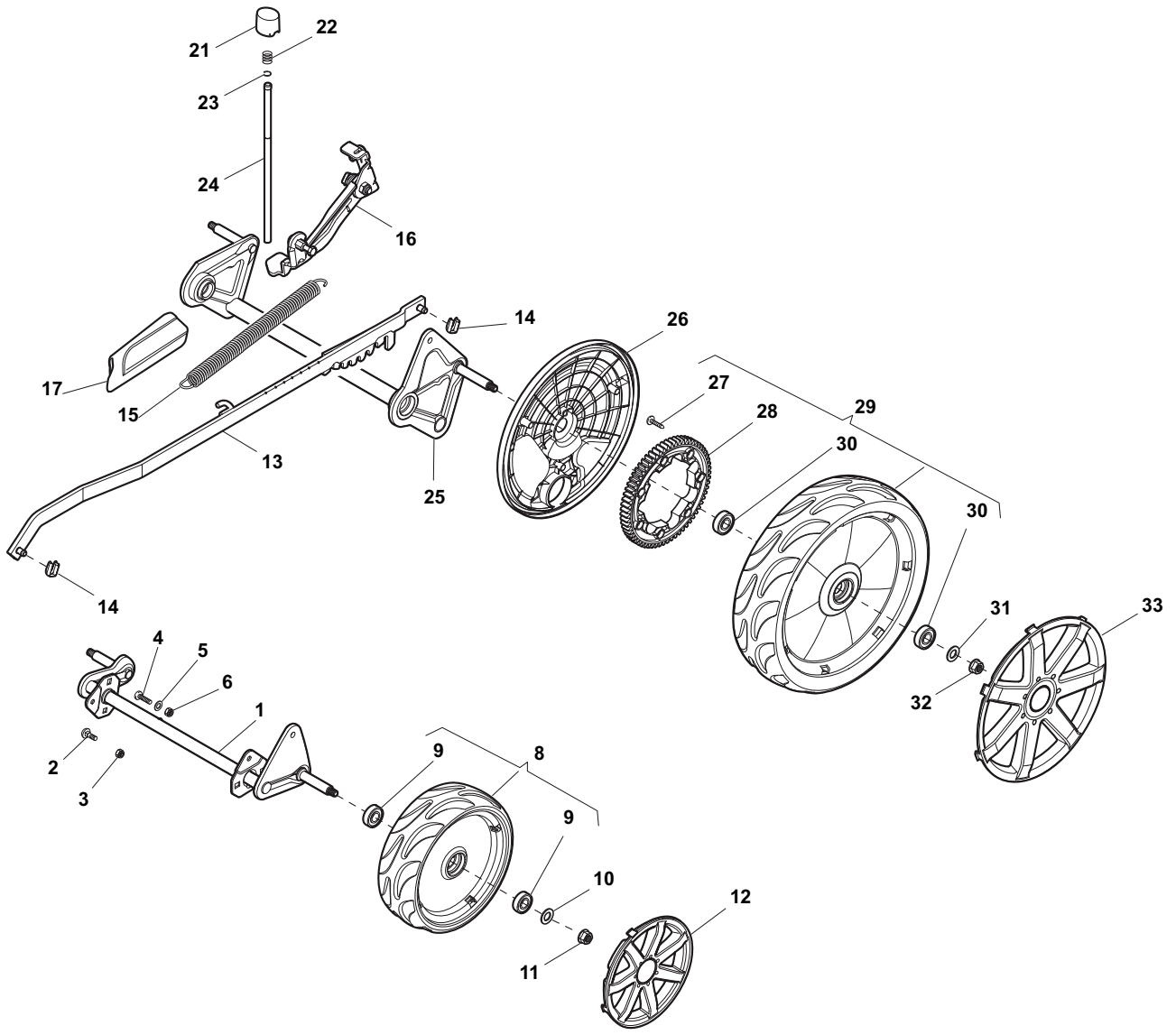
POS	PART. NO	Q.ty	DESCRIPTION	DESCRIZIONE	DESCRIPTION	BESCHREIBUNG	REMARKS
1	381006670/2	1	Handgrip	Impugnatura Manico	Poignée	Handgriff	
2	381003349/0	1	Lever, Driving	Leva Trazione	Levier Traction	Hebel, Antrieb	
3	381003344/0	1	Lever, Engine Brake	Leva Freno Motore	Levier Frein Moteur	Hebel, Motorbremse	
4	22430309/0	1	Guide Spring	Molla Guida	Ressort De Guide	Feder Führer	
5	12154330/0	1	Nut	Dado	Ecrou	Mutter	
6	381006895/0	1	Handle Black, R	Manico Nero, Parte Dx	Mancheron Noire, D	Holm Schwarz, Rechte	
6	381006821/0	1	Handle Grey, R	Manico Grigio, Parte Dx	Mancheron Gris, D	Holm Grau, Rechte	
7	112735662/1	4	Screw	Vite	Vis	Schraube	
8	322041967/1	4	Bush	Bussola	Douille	Buchse	
9	12154510/0	3	Nut	Dado	Ecrou	Mutter	
10	112728721/0	2	Screw	Vite	Vis	Schraube	
11	12727786/0	1	Screw	Vite	Vis	Schraube	
12	181030065/0	1	Cable, Thread Eng. Brake	Cavo Freno Motore	Cable Frein Moteur	Kabel, Motorbremse	
13	381030067/0	1	Cable, Rear Drive	Cavo Comando Trazione	Câble, Commande Traction	Kabel, Antrieb	
14	181005501/1	1	Throttle Cable	Cavo Acceleratore	Cable, Accelérateur	Gashebel Kabel	GGP
14	181005503/1	1	Throttle Cable	Cavo Acceleratore	Cable, Accelérateur	Gashebel Kabel	Honda
14	181005502/1	1	Throttle Cable	Cavo Acceleratore	Cable, Accelérateur	Gashebel Kabel	B&S
15	322806644/0	1	Protection	Protezione	Protection	Schutz	
16	12727812/0	2	Screw	Vite	Vis	Schraube	
17	112523000/1	2	Washer	Rosetta	Rondelle	Scheibe	
18	381006897/0	1	Handle Black, L	Manico Nero, Sx	Mancheron Noire, G	Holm Schwarz, Linke	
18	381006823/0	1	Handle Grey, L	Manico Grigio, Sx	Mancheron Gris, G	Holm Grau, Linke	
19	322488301/0	1	Support	Supporto	Support	Halter	
20	322488303/0	1	Support	Supporto	Support	Halter	
21	112154220/0	2	Nut	Dado	Ecrou	Mutter	
22	322399835/0	2	Knob	Manopolina	Poignée	Griff	
23	381003253/0	2	Handle	Maniglia	Poignée	Griff	
24	322680017/0	2	Support	Supporto	Support	Halter	



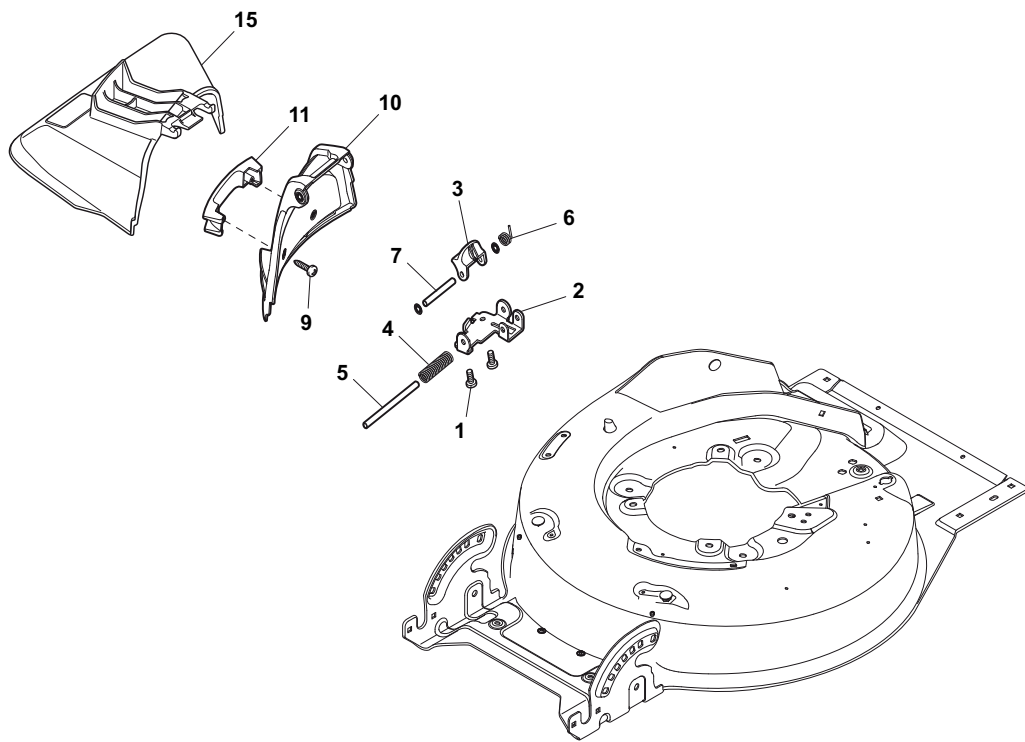
POS	PART. NO	Q.ty	DESCRIPTION	DESCRIZIONE	DESCRIPTION	BESCHREIBUNG	REMARKS
1	381006670/2	1	Handgrip	Impugnatura Manico	Poignée	Handgriff	
2	381003349/0	1	Lever, Driving	Leva Trazione	Levier Traction	Hebel, Antrieb	
3	381003344/0	1	Lever, Engine Brake	Leva Freno Motore	Levier Frein Moteur	Hebel, Motorbremse	
4	22430309/0	1	Guide Spring	Molla Guida	Ressort De Guide	Feder Führer	
5	12154330/0	1	Nut	Dado	Ecrou	Mutter	
6	381006895/0	1	Handle Black, R	Manico Nero, Parte Dx	Mancheron Noire, D	Holm Schwarz, Rechte	
6	381006821/0	1	Handle Grey, R	Manico Grigio, Parte Dx	Mancheron Gris, D	Holm Grau, Rechte	
7	112735662/1	4	Screw	Vite	Vis	Schraube	
8	322041967/1	4	Bush	Bussola	Douille	Buchse	
9	12154510/0	3	Nut	Dado	Ecrou	Mutter	
10	112728721/0	2	Screw	Vite	Vis	Schraube	
11	12727784/0	1	Screw	Vite	Vis	Schraube	
12	181030066/0	1	Cable, Thread Eng. Brake	Cavo Freno Motore	Cable Frein Moteur	Kabel, Motorbremse	
13	381030068/0	1	Cable, Rear Drive	Cavo Comando Trazione	Câble, Commande Traction	Kabel, Antrieb	
14	322551639/0	1	Plate	Piastrina	Plaquette	Plättchen	
15	322806644/0	1	Protection	Protezione	Protection	Schutz	
16	12727812/0	2	Screw	Vite	Vis	Schraube	
17	112523000/1	2	Washer	Rosetta	Rondelle	Scheibe	
18	381006897/0	1	Handle Black, L	Manico Nero, Sx	Mancheron Noire, G	Holm Schwarz, Linke	
18	381006823/0	1	Handle Grey, L	Manico Grigio, Sx	Mancheron Gris, G	Holm Grau, Linke	
19	322488301/0	1	Support	Supporto	Support	Halter	
20	322488303/0	1	Support	Supporto	Support	Halter	
21	112154220/0	2	Nut	Dado	Ecrou	Mutter	
22	322399835/0	2	Knob	Manopolina	Poignée	Griff	
23	381003253/0	2	Handle	Maniglia	Poignee	Griff	
24	322680017/0	2	Support	Supporto	Support	Halter	



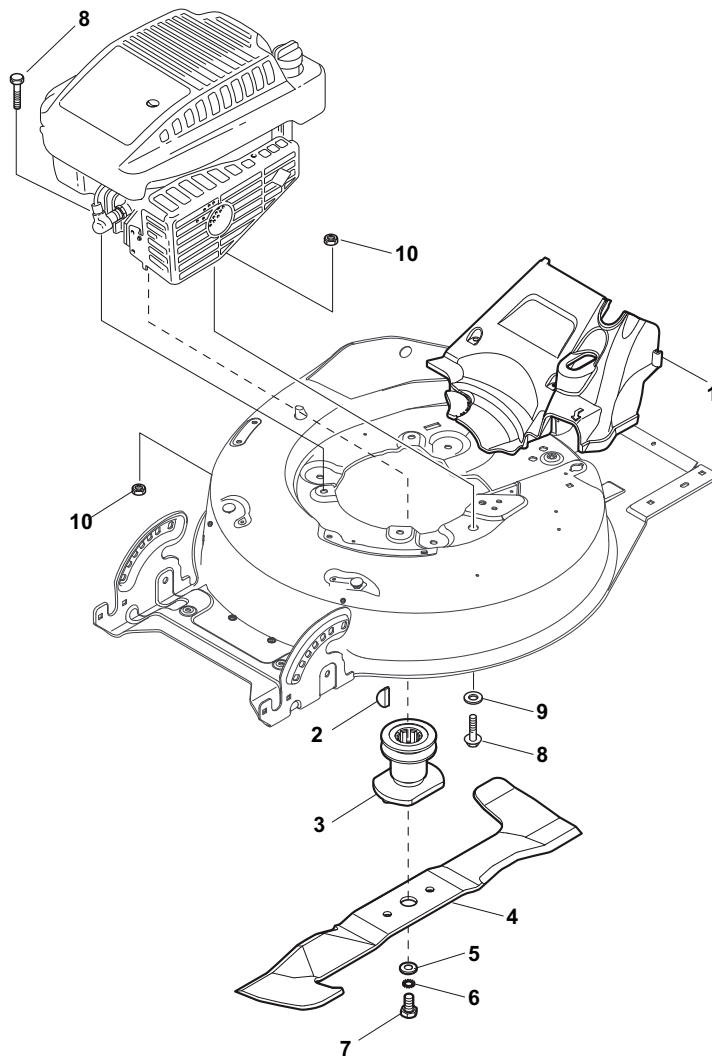
POS	PART. NO	Q.ty	DESCRIPTION	DESCRIZIONE	DESCRIPTION	BESCHREIBUNG	REMARKS
1	122570132/0	1	Pinion L	Pignone Sx	Pignon G	Ritzel Linkes	
2	12608600/0	4	Seeger	Seeger	Seeger	Seeger	
3	19216035/0	2	Bearing	Cuscinetto	Coussinet	Lager	
4	122570131/0	1	Pinion R	Pignone Dx	Pignon D	Ritzel Rechtes	
5	22753000/0	2	Pin	Spina	Goupille	Stift	
11	181003106/0	1	Gear Box	Gruppo Trazione	Groupe Traction	Antrieb	
12	122601908/1	1	Pulley	Puleggia	Poulie	Riemenscheibe	
13	12645705/0	1	Pin	Spina	Goupille	Stift	
14	122033290/0	1	Adjustment Rod	Asta Regolazione	Tige Reglage	Verstellungstange	
15	135064391/0	1	Belt X 10	Cinghia X 10	Courroie X 10	Riemen X 10	
21	22041957/1	1	Bush	Bussola	Douille	Buchse	
22	22450063/0	1	Spring	Molla	Ressort	Feder	
23	22680009/0	1	Washer	Rosetta	Rondelle	Scheibe	
24	12154510/0	1	Nut	Dado	Ecrou	Mutter	
25	322109550/0	1	Cap	Tappo	Bouchon	Gummistopfen	



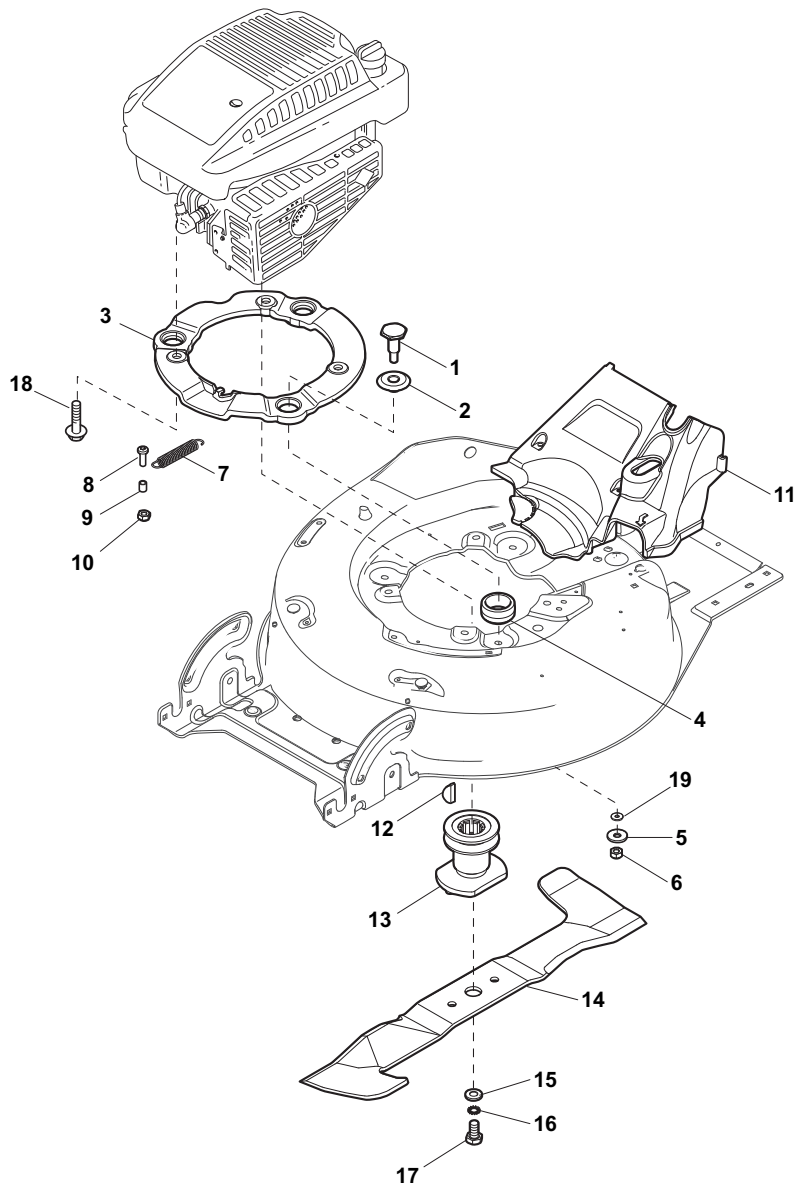
POS	PART. NO	Q.ty	DESCRIPTION	DESCRIZIONE	DESCRIPTION	BESCHREIBUNG	REMARKS
1	381002869/1	1	Axle, Front Wheels	Asse Ruote Anteriori	Axe Roues Avant	Achse, Vorderrad	
2	12815205/0	4	Screw	Vite	Vis	Schraube	
3	12154510/0	4	Nut	Dado	Ecrou	Mutter	
4	112727799/0	2	Screw	Vite	Vis	Schraube	
5	12523040/0	2	Washer	Rosetta	Rondelle	Scheibe	
6	12154510/0	2	Nut	Dado	Ecrou	Mutter	
8	381007394/1	2	Wheel Ø 210	Ruota Ø 210	Roue Ø 210	Rad Ø 210	
9	19216035/0	4	Bearing	Cuscinetto	Coussinet	Lager	
10	12521350/0	2	Washer	Rosetta	Rondelle	Scheibe	
11	12155000/0	2	Nut	Dado	Ecrou	Mutter	
12	322110597/0	2	Hub Cap	Coprizzo	Couvre-Moyeu	Radkappe	
13	381002034/0	1	Rod, Height Adjustment	Asta Comando Regol. Altezza	Tige Commande Reglage Hauteur	Stange, Höheverstellung	
14	112436051/0	2	Plate	Piastrina	Plaquette	Plättchen	
15	122450459/1	1	Spring	Molla	Ressort	Feder	
16	381003337/1	1	Lever, Height Adjustment	Leva Regolazione Altezza	Levier, Reglage Hauteur	Hebel, Höheverstellung	
17	322570202/0	1	Cover	Copertura	Couvre	Kappe	
21	322602012/1	1	Button	Pulsante	Poussoir	Druckknopf	
22	122450462/0	1	Spring	Molla	Ressort	Feder	
23	12000930/0	1	Snap Ring	Anello Elastico	Anneau Ressort	Sprengring	
24	122033351/1	1	Rod	Astina	Tige	Stange	
25	381002899/0	1	Axle, Rear Wheels	Asse Ruote Posteriori	Axe Roues Arriere	Achse, Hinterrad	
26	322600179/0	2	Protection, Wheel	Prot. Ruote	Protection Roue	Schütz	
27	12728691/0	6	Screw	Vite	Vis	Schraube	
28	322120113/0	2	Ring Gear	Corona Trascinamento	Couronne	Kranz	
29	381007398/1	2	Wheel Ø 300	Ruota Ø 300	Roue Ø 300	Rad Ø 300	
30	19216035/0	4	Bearing	Cuscinetto	Coussinet	Lager	
31	12521350/0	2	Washer	Rosetta	Rondelle	Scheibe	
32	12155000/0	2	Nut	Dado	Ecrou	Mutter	
33	322110598/0	2	Hub Cap	Coprizzo	Couvre-Moyeu	Radkappe	



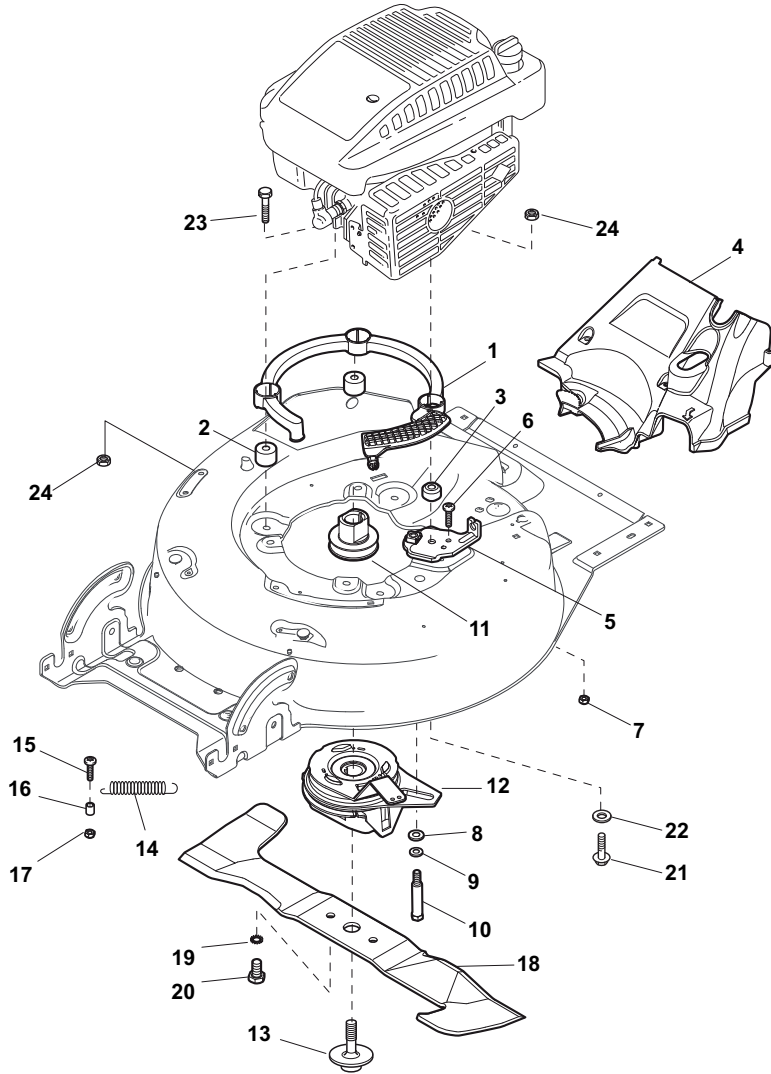
POS	PART. NO	Q.ty	DESCRIPTION	DESCRIZIONE	DESCRIPTION	BESCHREIBUNG	REMARKS
1	112727803/0	2	Screw	Vite	Vis	Schraube	
2	322806635/1	1	Fulcrum Pin	Fulcro	Point D'Appui	Gelenkpunkt	
3	322783010/1	1	Button	Pulsante	Poussoir	Druckknopf	
4	122450456/0	1	Spring	Molla	Ressort	Feder	
5	122517864/0	1	Pin	Perno	Pivot	Bolzen	
6	122450457/0	1	Spring	Molla	Ressort	Feder	
7	122517866/0	1	Pin	Perno	Pivot	Bolzen	
9	112728706/0	2	Screw	Vite	Vis	Schraube	
10	322600200/0	1	Ejection Guard	Protezione Uscita	Protection Sortie	Auswurfschutz	
11	322393633/0	1	Handle	Maniglia	Poignee	Griff	
15	322108289/0	1	Ejection Guard	Protezione Uscita	Protection Sortie	Auswurfschutz	



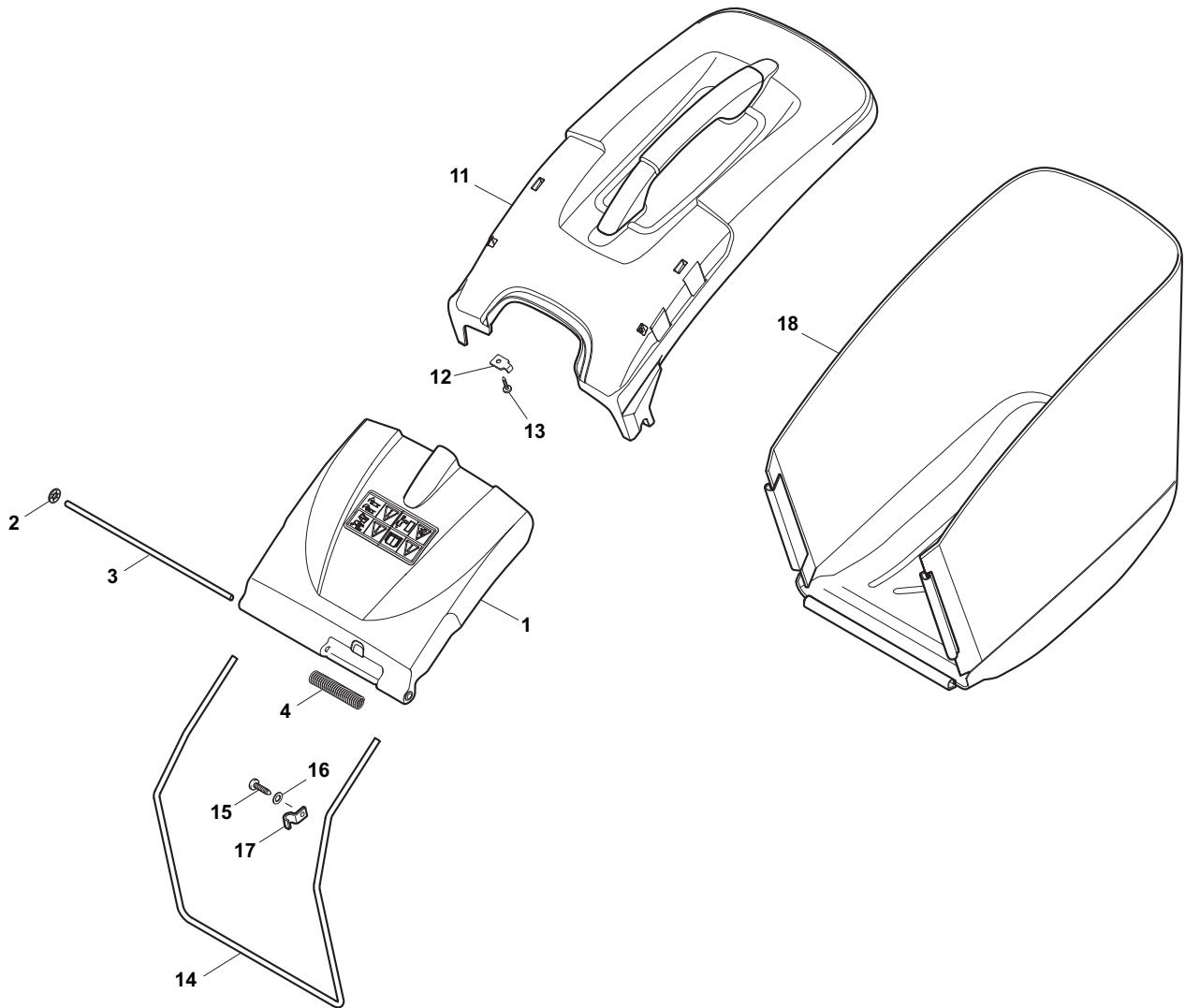
POS	PART. NO	Q.ty	DESCRIPTION	DESCRIZIONE	DESCRIPTION	BESCHREIBUNG	REMARKS
1	322060230/0	1	Protection	Carter	Protection	Schutz	
2	12139100/0	1	Feather, Crankshaft Ø 22.2	Linguetta, Albero Motore Ø 22.2	Clavette, Arbre Moteur Ø 22.2	Keil, Motorwelle Ø 22.2	GGP - B&S
2	12139150/0	1	Feather, Crankshaft Ø 25	Linguetta, Albero Motore Ø 25	Clavette, Arbre Moteur Ø 25	Keil, Motorwelle Ø 25	Honda
3	122465607/3	1	Hub With Pulley, Crankshaft Ø 22	Mozzo Con Puleggia, Albero Motore Ø 22	Moyeu Avec Poulie, Arbre Moteur Ø 22	Nabe Mit Scheibe, Motorwelle Ø 22	GGP - B&S
3	122465608/2	1	Hub With Pulley, Crankshaft Ø 25	Mozzo Con Puleggia, Albero Motore Ø 25	Moyeu Avec Poulie, Arbre Moteur Ø 25	Nabe Mit Scheibe, Motorwelle Ø 25	Honda
4	181004450/0	1	Blade Standard	Coltello Standard	Lame Standard	Messer Standard	
5	22160400/0	1	Elastic Washer	Disco Elastico	Rondelle Elastique	Elastischescheibe	
6	12523080/0	1	Washer	Rosetta	Rondelle	Scheibe	
7	12735698/0	1	Screw	Vite	Vis	Schraube	
8	12691800/0	1	Screw	Vite	Vis	Schraube	B&S 675
8	12691100/0	2	Screw	Vite	Vis	Schraube	B&S 675
8	12691100/0	3	Screw	Vite	Vis	Schraube	B&S 625-750
8	12691115/0	3	Screw	Vite	Vis	Schraube	GGP
8	12691100/0	3	Screw	Vite	Vis	Schraube	Honda
9	12521350/0	1	Washer	Rosetta	Rondelle	Scheibe	
10	12154210/0	3	Nut	Dado	Ecrou	Mutter	



POS	PART. NO	Q.ty	DESCRIPTION	DESCRIZIONE	DESCRIPTION	BESCHREIBUNG	REMARKS
1	122519816/0	3	Pin	Perno	Pivot	Bolzen	
2	22672201/0	3	Washer	Rondella	Rondelle	Scheibe	
3	322207226/0	1	Flange	Flangia	Bride	Flansch	
4	322250014/0	3	Grommet	Gommino	Caoutchouc	Gummi	
5	122170850/0	3	Spacer	Distanziale	Entretoise	Distanzring	
6	12155000/0	3	Nut	Dado	Ecrou	Mutter	
7	122450461/0	1	Spring	Molla	Ressort	Feder	
8	112727801/0	1	Screw	Vite	Vis	Schraube	
9	122170846/0	1	Spacer	Distanziale	Entretoise	Distanzring	
10	12154510/0	1	Nut	Dado	Ecrou	Mutter	
11	322060230/0	1	Protection	Carter	Protection	Schutz	
12	12139100/0	1	Feather, Crankshaft Ø 22.2	Linguetta, Albero Motore Ø 22.2	Clavette, Arbre Moteur Ø 22.2	Keil, Motorwelle Ø 22.2	GGP - B&S
12	12139150/0	1	Feather, Crankshaft Ø 25	Linguetta, Albero Motore Ø 25	Clavette, Arbre Moteur Ø 25	Keil, Motorwelle Ø 25	Honda
13	122465638/1	1	Hub With Pulley, Crankshaft Ø 22	Mozzo Con Puleggia, Albero Motore Ø 22	Moyeu Avec Poulie, Arbre Moteur Ø 22	Nabe Mit Scheibe, Motorwelle Ø 22	GGP - B&S
13	122465639/1	1	Hub With Pulley, Crankshaft Ø 25	Mozzo Con Puleggia, Albero Motore Ø 25	Moyeu Avec Poulie, Arbre Moteur Ø 25	Nabe Mit Scheibe, Motorwelle Ø 25	Honda
14	181004451/0	1	Blade	Coltello	Lame	Messer	
15	22160400/0	1	Elastic Washer	Disco Elastico	Rondelle Elastique	Elastischescheibe	
16	12523080/0	1	Washer	Rosetta	Rondelle	Scheibe	
17	12736815/0	1	Screw	Vite	Vis	Schraube	
18	112735108/1	3	Screw	Vite	Vis	Schraube	



POS	PART. NO	Q.ty	DESCRIPTION	DESCRIZIONE	DESCRIPTION	BESCHREIBUNG	REMARKS
1	322170962/0	1	Protection	Protezione	Protection	Schutz	
2	22170835/0	2	Spacer	Distanziale	Entretoise	Distanzring	
3	122170836/1	1	Spacer	Distanziale	Entretoise	Distanzring	
4	322060232/1	1	Protection	Carter	Protection	Schutz	
5	381545329/0	1	Support	Supporto	Support	Halter	
6	112727802/0	1	Screw	Vite	Vis	Schraube	
7	12154510/0	1	Nut	Dado	Ecrou	Mutter	
8	22671653/0	1	Washer	Rosetta	Rondelle	Scheibe	
9	12540060/0	1	Washer	Rondella	Rondelle	Scheibe	
10	122534127/0	1	Pin	Piolo	Bondon	Dübel	
11	122601922/0	1	Pulley, Crankshaft Ø 22.2	Puleggia, Albero Motore Ø 22.2	Poulie, Arbre Moteur Ø 22.2	Scheibe, Motorwelle Ø 22.2	GGP - B&S
11	122601923/0	1	Pulley, Crankshaft Ø 25	Puleggia, Albero Motore Ø 25	Poulie, Arbre Moteur Ø 25	Scheibe, Motorwelle Ø 25	Honda
12	118399051/0	1	Mechanical Clutch	Ass. Frizione Meccanica	Embrayage Mecanique	Mechanische Kupplung	
13	12735460/0	1	Screw	Vite	Vis	Schraube	
14	122446188/0	1	Spring	Molla	Ressort	Feder	
15	112727801/0	1	Screw	Vite	Vis	Schraube	
16	122170846/0	1	Spacer	Distanziale	Entretoise	Distanzring	
17	12154510/0	1	Nut	Dado	Ecrou	Mutter	
18	181004452/0	1	Blade	Coltello	Lame	Messer	
19	12540060/0	2	Washer	Rondella	Rondelle	Scheibe	
20	12794110/0	2	Screw	Vite	Vis	Schraube	
21	12692050/0	1	Screw	Vite	Vis	Schraube	
22	12521350/0	1	Washer	Rosetta	Rondelle	Scheibe	
23	12691700/0	2	Screw	Vite	Vis	Schraube	
24	12154210/0	3	Nut	Dado	Ecrou	Mutter	



POS	PART. NO	Q.ty	DESCRIPTION	DESCRIZIONE	DESCRIPTION	BESCHREIBUNG	REMARKS
1	322600180/3	1	Stone-Guard	Parasassi	Pare-Pierres	Prallblech	
2	12604899/0	2	Crown Fastener	Fissatore A Corona	Fixateur A Couronne	Kronescheibe	
3	122517863/0	1	Pin	Perno	Pivot	Bolzen	
4	122450455/1	1	Spring	Molla	Ressort	Feder	
11	381486007/0	1	Grass-Box, Upper	Sacco, Parte Sup	Sac, Partie	Korb, Oberteil	
12	322545159/0	2	Plate	Piastrina	Plaquette	Plättchen	
13	12728689/0	2	Screw	Vite	Vis	Schraube	
14	122608542/0	1	Stiffening Lower	Rinforzo Inf	Réinforcement Inf	Verstärkung Untere	
15	12728689/0	2	Screw	Vite	Vis	Schraube	
16	12521320/0	2	Washer	Rosetta	Rondelle	Scheibe	
17	325774220/0	2	Plate	Piastrina	Plaquette	Plättchen	
18	181002298/1	1	Box, Fabric	Sacco, Tela	Sac, Toile	Sack, Tuck	STD
18	181002303/2	1	Box, Fabric	Sacco, Tela	Sac, Toile	Sack, Tuck	Castelgarden
18	181002302/2	1	Box, Fabric	Sacco, Tela	Sac, Toile	Sack, Tuck	Stiga