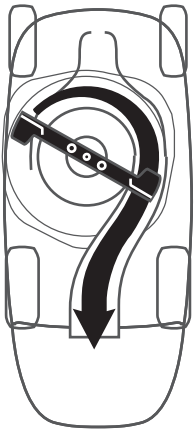
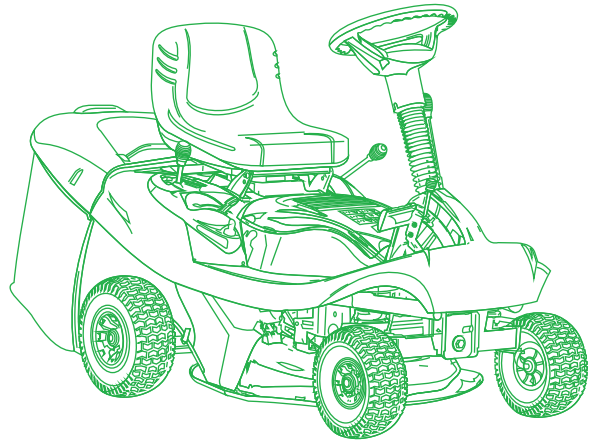


Genuine Spare Parts



63



Catalogo delle parti di ricambio
Spare parts catalogue
Catalogue des pieces de rechange
Ersatzteilkatalog

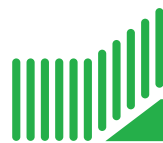
2011

- Use GLOBAL GARDEN PRODUCT Genuine Spare Parts specified in the parts list for repair and/or replacement.
- The contents described in the parts list may change due to improvement.
- The drawings of the spare parts are only indicative and might not represent the part in question exactly.
- The indications "right" - "left" - "front" - "rear" refer to the position of the operator when using the machine.
- When placing orders of parts for repair and/or replacement, make sure that the illustrated parts list is the one applying to the machine's year of manufacture, as shown on the identification plate attached to the machine.

© Copyright 2011 Global Garden Products

All content is subject to copyright by Global Garden Products and may not be reproduced in whole or in part by any means, electronic or otherwise, without prior written approval.

THIS INFORMATION IS NOT INTENDED FOR SALE OR RESALE, AND THIS NOTICE MUST REMAIN ON ALL COPIES.



GLOBAL GARDEN PRODUCTS

ELV 63

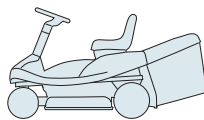
ELV 63 M

CATALOGO DELLE PARTI DI RICAMBIO
SPARE PARTS CATALOGUE
CATALOGUE DES PIECES DE RECHANGE
ERSATZTEILKATALOG

2011

ELV 63

ELV 63 M



**INDICE DELLE TAVOLE
INDEX OF TABLES
SOMMAIRE DES TABLEAUX
INHALT DER TAFELN**

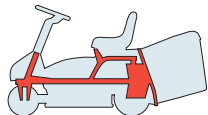
2011

1000.0

1 / 2

**TELAIO
CHASSIS
CHASSIS
RAHMENSATZ**

➔ [1001](#)



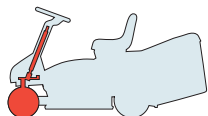
**CARROZZERIA
BODY
CARROSSERIE
KARROSSERIE**

➔ [1002](#)



**STERZO
STEERING
BARRE DE DIRECTION
LENKGETRIEBE**

➔ [1003](#)



**COMANDO TRASMISSIONE E FRENO
DRIVE AND BRAKE CONTROLS
COMMANDE TRANSMISSION ET FREIN
GETRIEBE UND BREMSE ANTRIEB**

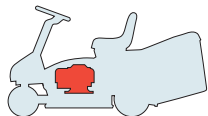
➔ [1004a](#)



**MOTORE
ENGINE
MOTEUR
MOTOR**

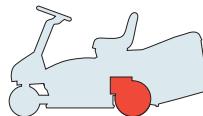
B&S ➔ [1005](#)

GGP ➔ [1005d](#)



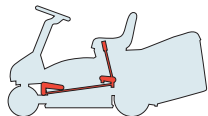
**TRASMISSIONE
TRANSMISSION
TRANSMISSION
GETRIEBE**

➔ [1006a](#)



**SOLLEVAMENTO PIATTO DI TAGLIO
CUTTING PLATE LIFTING
SOULEVEMENT PLATEAU DE COUPE
SCHNEIDWERKZEUG AUFHEBESATZ**

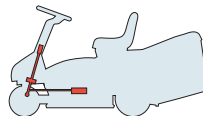
➔ [1007](#)



**PIATTO DI TAGLIO (1)
CUTTING PLATE (1)
PLATEAU DE COUPE (1)
SCHNEIDWERKZEUG (1)**

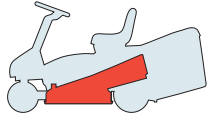
GGP ➔ [1008](#)

B&S ➔ [1008a](#)



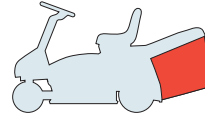


PIATTO DI TAGLIO (2)
CUTTING PLATE (2)
PLATEAU DE COUPE (2)
SCHNEIDWERKZEUG (2)



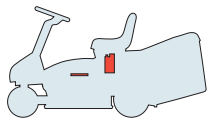
↪ [1009](#)

SACCO
GRASSCATCHER
BAC
AUFFANGSACK



↪ [1010](#)

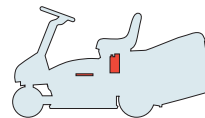
PARTI ELETTRICHE
ELECTRICAL PARTS
PARTIES ELECTRIQUES
ELETRISCHE TEILE



ELV 63 ↪ [1011](#)

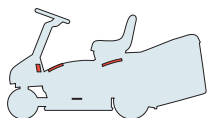
ELV 63 M ↪ [1011a](#)

ACCESSORI A RICHIESTA
OPTIONALS ON REQUEST
ACCESSOIRES SUR DEMANDE
ZUBEHOERE NACH ANFRAGE



↪ [1012](#)

ETICHETTE
LABELS
ETIQUETTES
KLEBZETTEL

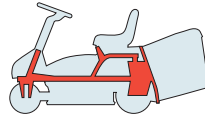


↪ [1013](#)



ELV 63

ELV 63 M

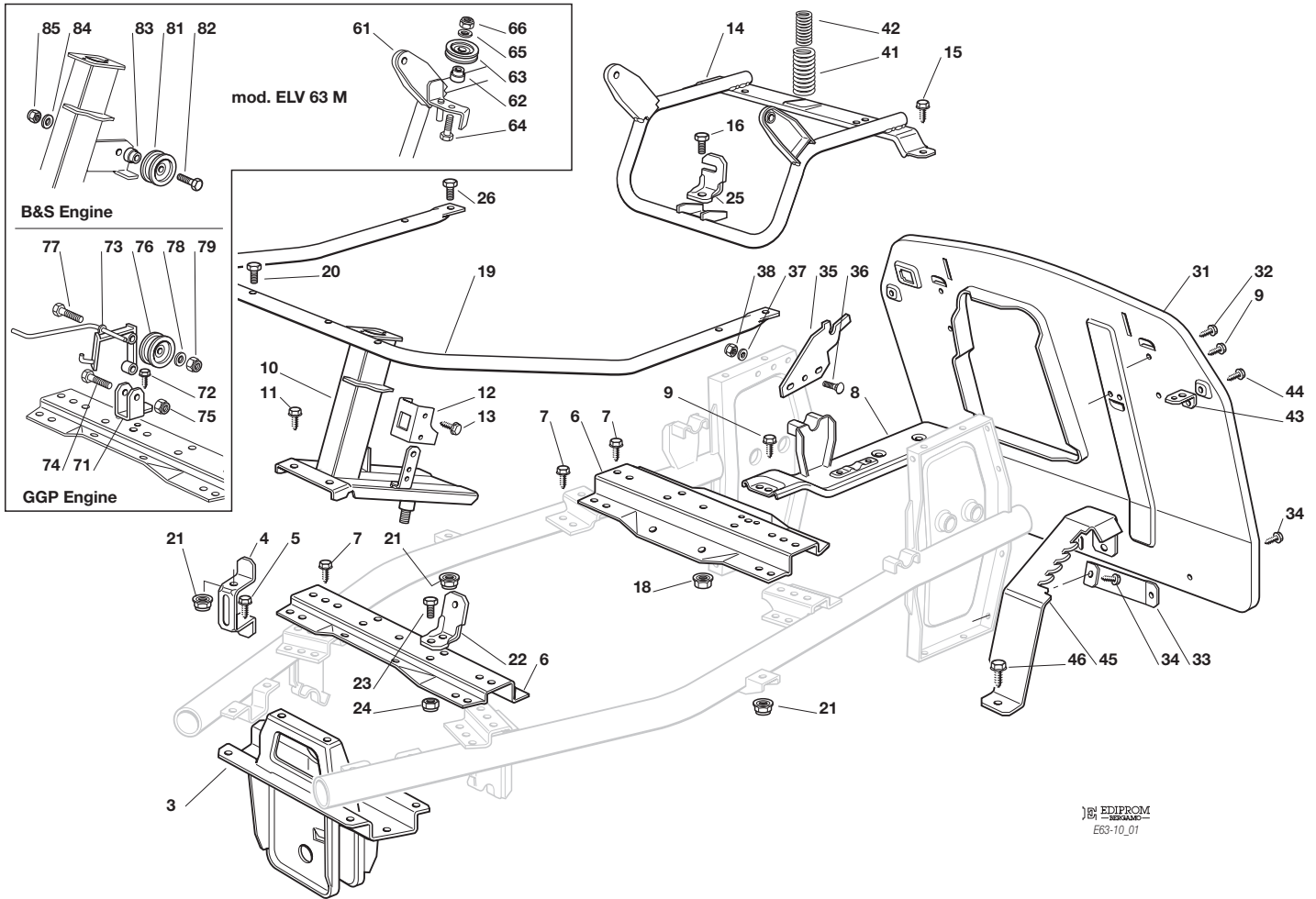


TELAIO
CHASSIS
CHASSIS
RAHMENSATZ

2011

1001.0

1 / 2



EDIPROM
E63-10_01

N.	CODE	Q.TY	DESCRIZIONE	DESCRIPTION	DESCRIPTION	BESCHREIBUNG
3	84783015/1	1	Supporto Avantreno	Support	Support	Halter
4	27772121/0	2	Staffa	Clamp	Etrier	Bride
5	12735121/0	6	Vite	Screw	Vis	Schraube
6	27650115/1	2	Rinforzo Centrale	Stiffening	Renforcement	Verstaerkung
7	12735121/0	10	Vite	Screw	Vis	Schraube
8	84650105/0	1	Rinforzo	Stiffening	Renforcement	Verstaerkung
9	12735121/0	4	Vite	Screw	Vis	Schraube
10	84783037/0	1	Supp. Piantone (GGP)	Support (GGP)	Support (GGP)	Halter (GGP)
10	384783055/0	1	Supp. Piantone (B&S)	Support (B&S)	Support (B&S)	Halter (B&S)
11	12735121/0	6	Vite	Screw	Vis	Schraube
12	27772095/0	1	Supporto Micro Lama	Support	Support	Halter
13	12735105/0	2	Vite	Screw	Vis	Schraube
15	12735121/0	2	Vite	Screw	Vis	Schraube
16	12793701/0	1	Vite	Screw	Vis	Schraube
18	12293201/0	1	Dado	Nut	Ecrou	Mutter
19	27869057/0	1	Supporto Pedane	Support	Support	Halter
20	12792099/0	2	Vite	Screw	Vis	Schraube
21	12154510/0	4	Dado	Nut	Ecrou	Mutter
22	27773077/0	1	Squadretta	Angle Bracket	Equerre	Winkel
23	12791011/0	1	Vite	Screw	Vis	Schraube
24	12154510/0	1	Dado	Nut	Ecrou	Mutter
25	27753081/0	1	Squadretta	Angle Bracket	Equerre	Winkel
26	12791500/0	2	Vite	Screw	Vis	Schraube
31	84545061/0	1	Piastra Posteriore	Rear Plate	Plaque Arriere	Hintere Platte
32	12735121/0	4	Vite	Screw	Vis	Schraube
33	27650111/0	2	Rinforzo	Stiffening	Renforcement	Verstaerkung
34	12735121/0	4	Vite	Screw	Vis	Schraube
35	27772131/0	2	Staffa	Clamp	Etrier	Bride
36	12818690/0	2	Vite	Screw	Vis	Schraube
37	12521350/0	2	Rondella	Washer	Rondelle	Scheibe
38	12155000/0	2	Dado	Nut	Ecrou	Mutter



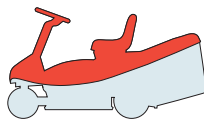


N.	CODE	Q.TY	DESCRIZIONE	DESCRIPTION	DESCRIPTION	BESCHREIBUNG
41	27430567/0	1	Molla	Spring	Ressort	Feder
42	127430569/2	1	Molla	Spring	Ressort	Feder
43	27753073/0	2	Squadretta	Angle Bracket	Equerre	Winkel
44	12729600/0	2	Vite	Screw	Vis	Schraube
45	27734059/0	1	Settore Sollevamento	Rack	Cremaillere	Zahnschiene
46	12735121/0	2	Vite	Screw	Vis	Schraube
			Nei modelli con avviamento elettrico:	For models with electric start:	Dans les modèles avec démarrage électrique:	Bei Modellen mit elektrischem Anlassen:
14	384801117/2	1	Supporto Sedile	Support	Support	Halter
			Nei modelli con avviamento manuale:	For models with manual start:	Dans les modèles avec démarrage manuel:	Bei Modellen mit Anlassen von Hand:
61	84801125/0	1	Supporto Sedile (GGP)	Support (GGP)	Support (GGP)	Halter (GGP)
61	384801141/0	1	Supporto Sedile (B&S)	Support (B&S)	Support (B&S)	Halter (B&S)
62	22170910/0	1	Perno	Pin	Pivot	Bolzen
63	81003375/1	1	Ruotino	Wheel	Roulettes	Raedchen
64	12691200/0	1	Vite	Screw	Vis	Schraube
65	12523060/0	1	Rondella	Washer	Rondelle	Scheibe
66	12155000/0	1	Dado	Nut	Ecrou	Mutter
			Nei modelli con avviamento manuale con motore GGP:	For models with manual start with GGP engine:	Dans les modèles avec démarrage manuel avec moteur GGP:	Bei Modellen mit Anlassen von Hand avec moteur GGP:
71	27753075/0	1	Squadretta	Angle Bracket	Equerre	Winkel
72	12735121/0	1	Vite	Screw	Vis	Schraube
73	84783041/0	1	Supp. Ruotino	Support	Support	Halter
74	12691115/0	1	Vite	Screw	Vis	Schraube
75	12155000/0	1	Dado	Nut	Ecrou	Mutter
76	81003375/1	1	Ruotino	Wheel	Roulettes	Raedchen
77	12691200/0	1	Vite	Screw	Vis	Schraube
78	12523060/0	1	Rondella	Washer	Rondelle	Scheibe
79	12155000/0	1	Dado	Nut	Ecrou	Mutter
			Nei modelli con avviamento manuale con motore B&S:	For models with manual start with B&S engine:	Dans les modèles avec démarrage manuel avec moteur B&S:	Bei Modellen mit Anlassen von Hand avec moteur B&S:
81	81003375/1	1	Ruotino	Wheel	Roulettes	Raedchen
82	12691200/0	1	Vite	Screw	Vis	Schraube
83	22170910/0	1	Perno	Pin	Pivot	Bolzen
84	12523060/0	1	Rondella	Washer	Rondelle	Scheibe
85	12155000/0	1	Dado	Nut	Ecrou	Mutter



ELV 63

ELV 63 M

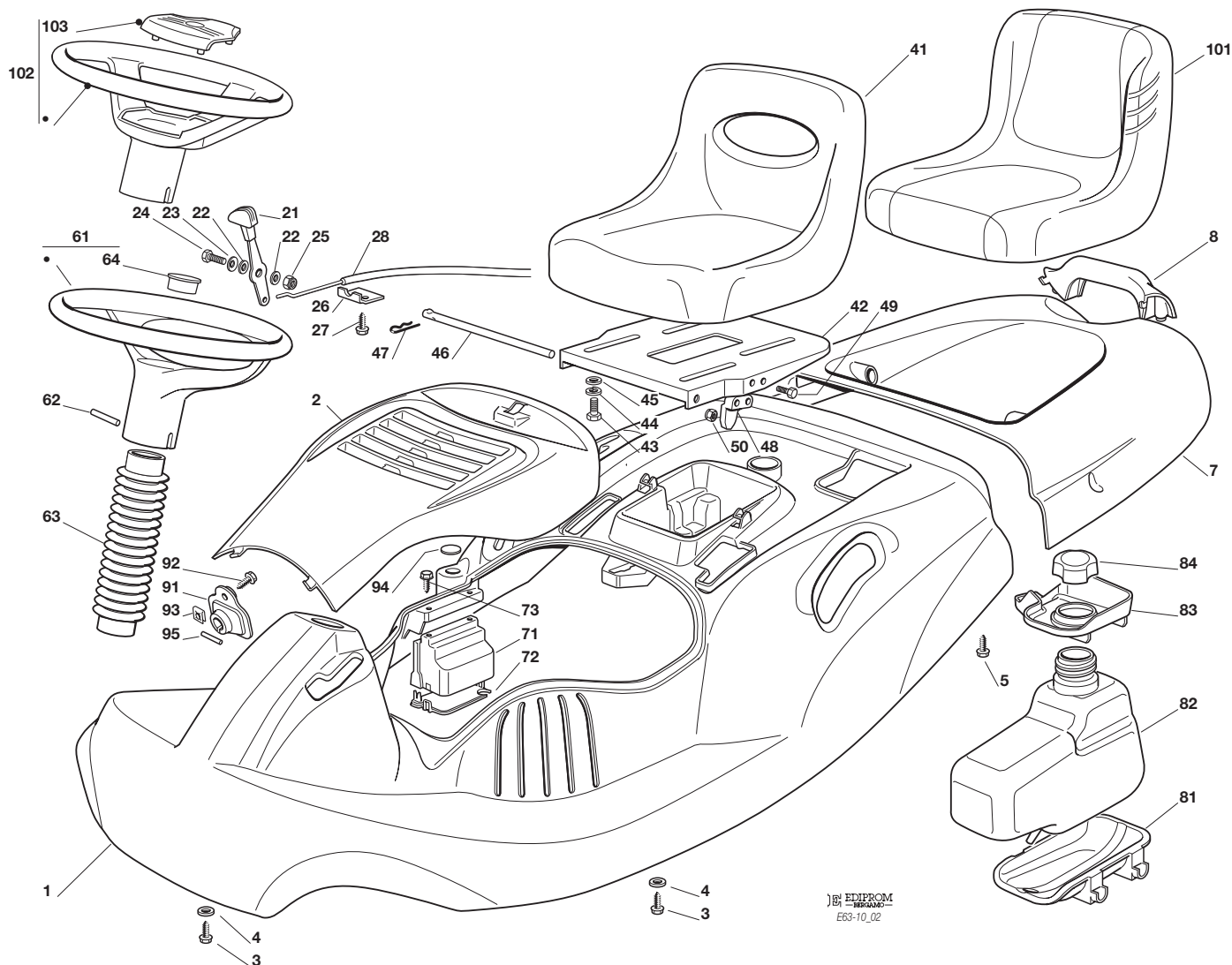


CARROZZERIA
BODY
CARROSSERIE
KARROSSERIE

2011

1002.0

1 / 2



EDIPROM
E63-10_02

N.	CODE	Q.TY	DESCRIZIONE	DESCRIPTION	DESCRIPTION	BESCHREIBUNG
2		1	Copertura Motore	Engine Cover	Couvre Moteur	Motorkappe
2	27110356/1		Rosso	Red	Rouge	Rot
2	27110363/0		Verde	Green	Vert	Grün
2	27110376/1		Arancione	Orange	Orange	Dunkelorange
2	27110369/0		Blu	Blue	Bleu	Blau
2	27110374/0		Nero	Black	Noir	Schwarz
2	27110372/0		Giallo	Yellow	Jaune	Gelb
2	27110409/0		Grigio	Grey	Gris	Grau
3	12735410/0	4	Vite	Screw	Vis	Schraube
4	12523040/0	4	Rosetta	Washer	Rondelle	Scheibe
5	12735402/0	2	Vite	Screw	Vis	Schraube
7		1	Copertura Sacco	Grass-Catcher Cover,	Couvre-Bac	Sackkappe
7	27110357/1		Rosso	Red	Rouge	Rot
7	27110364/0		Verde	Green	Vert	Grün
7	27110377/1		Arancione	Orange	Orange	Dunkelorange
7	27110370/0		Blu	Blue	Bleu	Blau
7	27110398/0		Nero	Black	Noir	Schwarz
7	27110443/0		Grigio	Grey	Gris	Grau
7	327110469/0		Bianco	White	Blanc	Weiß
8	27394000/0	1	Maniglia	Handle	Poignee	Griff
21	384317094/0	1	Leva Acceleratore	Accelerator Lever	Levier Accelérateur	Gashebel
22	12523040/0	2	Rosetta	Washer	Rondelle	Scheibe
23	12530060/0	1	Rosetta	Washer	Rondelle	Scheibe
24	12791500/0	1	Vite	Screw	Vis	Schraube
25	12154510/0	1	Dado	Nut	Ecrou	Mutter
26	22981467/0	1	Piastrina	Plate	Plaque	Platte





N.	CODE	Q.TY	DESCRIZIONE	DESCRIPTION	DESCRIPTION	BESCHREIBUNG
27	12735105/0	2	Vite	Screw	Vis	Schraube
28	184000254/0	1	Cavo Acceler. (B&S)	Throttle Cable (B&S)	Cable Acceler. (B&S)	Gashebel Kabel (B&S)
28	84000253/1	1	Cavo Acceler. (GGP)	Throttle Cable (GGP)	Cable Acceler. (GGP)	Gashebel Kabel (GGP)
41	25722453/1	1	Sedile	Seat	Siege	Sitz
42	27546039/1	1	Supporto Sedile	Support	Support	Halter
43	12793101/0	4	Vite	Screw	Vis	Schraube
44	12583500/0	4	Grower	Grower	Grower	Grower
45	12523060/0	4	Rondella	Washer	Rondelle	Scheibe
46	27864052/0	1	Perno Sedile	Pin	Pivot	Bolzen
47	24487997/0	1	Coppiglia	Cotter Pin	Goupille	Splint
48	27063021/1	1	Camma	Cam	Came	Nocken
49	12789100/0	2	Vite	Screw	Vis	Schraube
50	12154330/0	2	Dado	Nut	Ecrou	Mutter
61	27961230/0	1	Volante	Steering Wheel	Volant	Lenkrad
62	12620305/0	1	Spina	Pin	Goupille	Stift
63	27600114/1	1	Protezione	Guard	Protection	Schutz
64	25120230/0	1	Tappo	Cap	Bouchon	Stopfen
71	27600119/0	1	Protezione Scheda	Guard	Protection	Schutz
72	27600118/0	1	Protezione Scheda	Guard	Protection	Schutz
73	12727810/0	2	Vite	Screw	Vis	Schraube
81	27787057/0	1	Supporto	Support	Support	Halter
82	27733002/1	1	Serbatoio	Tank	Reservoir	Tank
83	27600113/0	1	Protezione Benzina	Guard	Protection	Schutz
84	27790000/1	1	Tappo Serbatoio	Cap	Bouchon	Tankverschluss
101	25722463/0	1	Sedile Comfort	Seat, Comfort	Siege, Comfort	Sitz, Comfort
102	25961211/0	1	Volante Grigio	Steering Wheel, Gray	Volant Gris	Lenkrad, Grau
103	325580500/0	1	Tappo	Cap	Bouchon	Stopfen

**Nei modelli
con avviamento elettrico:**

**For models
with electric start:**

**Dans les modèles avec
démarrage électrique:**

**Bei Modellen mit
elektrischem Anlassen:**

1		1	Copertura Ruote	Wheels Cover	Couvre Roues	Radenkappe
1	27110355/1		Rosso	Red	Rouge	Rot
1	27110362/0		Verde	Green	Vert	Grün
1	27110375/1		Arancione	Orange	Orange	Dunkelorange
1	27110368/0		Blu	Blue	Bleu	Blau
1	327110397/0		Nero	Black	Noir	Schwarz
1	27110442/0		Grigio	Grey	Gris	Grau
1	327110468/0		Bianco	White	Blanc	Weiß

**Nei modelli
con avviamento manuale:**

**For models
with manual start:**

**Dans les modèles avec
démarrage manuel:**

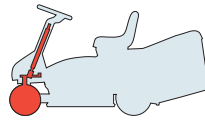
**Bei Modellen mit
Anlassen von Hand:**

1		1	Copertura Ruote	Wheels Cover	Couvre Roues	Radenkappe
1	27110378/1	1	Rosso	Red	Rouge	Rot
1	27110379/0	1	Verde	Green	Vert	Grün
91	27790010/1	1	Tappo	Cap	Bouchon	Verschluss
92	12735598/0	1	Vite	Screw	Vis	Schraube
93	12437503/0	1	Piastrina	Plate	Plaque	Platte
94	14358731/0	1	Etichetta	Label	Etiquette	Klebzettel
95	12622651/0	1	Spina	Pin	Goupille	Stift



ELV 63

ELV 63 M

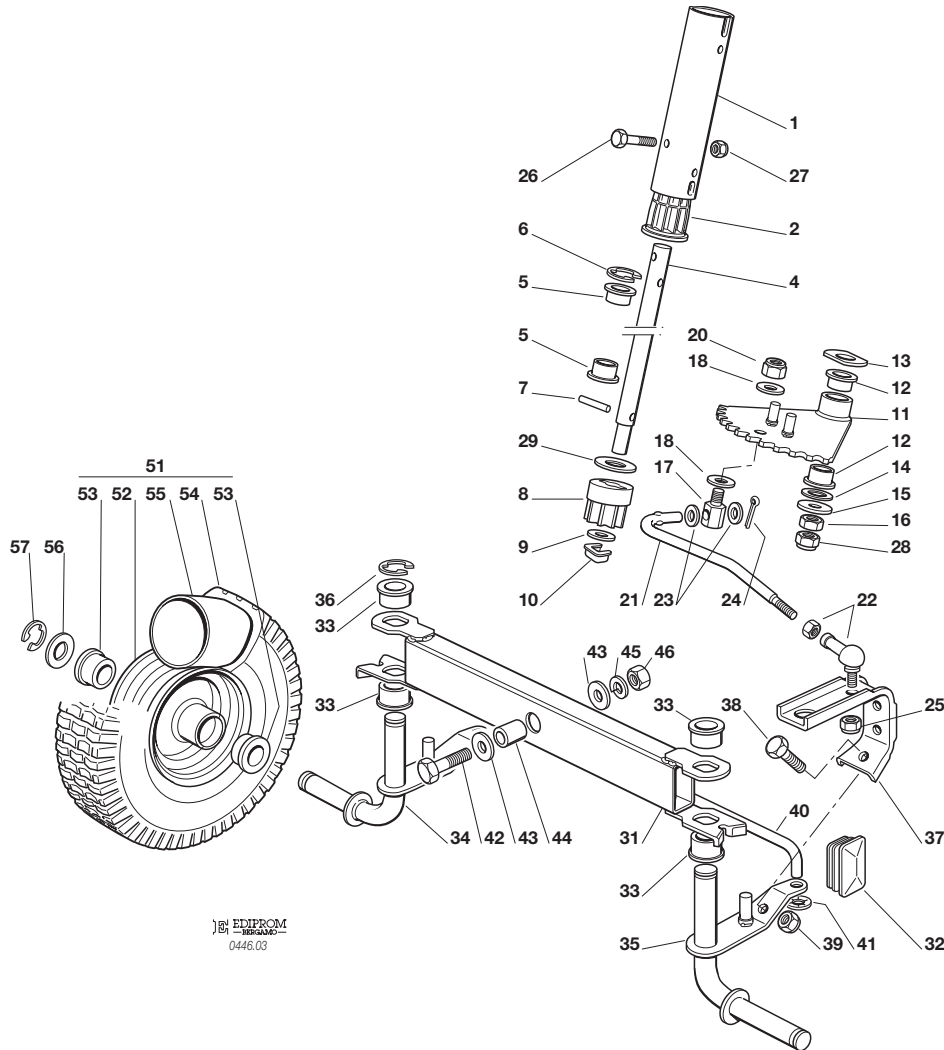


**STERZO
STEERING
BARRE DE DIRECTION
LENKGETRIEBE**

2011

1003.0

1 / 2



EDIPROM
0446.03

N.	CODE	Q.TY	DESCRIZIONE	DESCRIPTION	DESCRIPTION	BESCHREIBUNG
1	27340305/1	1	Prolunga Piantone	Colum Extension	Tube Extension	Verlängerungsstück
2	27047005/1	1	Bussola	Bush	Douille	Buchse
4	27520052/0	1	Piantone Sterzo	Steering Column	Tube De Direction	Lenkungsäule
5	27047004/0	2	Bussola	Bush	Douille	Buchse
6	12001010/0	1	Anello Elastico	Snap Ring	Anneau Ressort	Sprengring
7	12622650/0	1	Spina	Pin	Goupille	Stift
8	27570050/0	1	Pignone	Pinion	Pignon	Ritzel
9	12521370/0	1	Rondella	Washer	Rondelle	Scheibe
10	12436030/0	1	Piastrina	Plate	Plaquette	Plattechen
11	84735553/1	1	Corona Sterzo	Ring Gear	Couronne	Zahnkranz
12	27047004/0	2	Bussola	Bush	Douille	Buchse
13	27670054/0	1	Rondella	Washer	Rondelle	Scheibe
14	22672152/0	1	Rondella	Washer	Rondelle	Scheibe
15	12523070/0	1	Rondella	Washer	Rondelle	Scheibe
16	12293200/0	1	Dado	Nut	Ecrou	Mutter
17	25510056/0	1	Perno	Pin	Pivot	Bolzen
18	25670008/1	2	Rondella	Washer	Rondelle	Scheibe
19	12293200/0	1	Dado	Nut	Ecrou	Mutter
20	12156602/0	1	Dado	Nut	Ecrou	Mutter
21	27034066/2	1	Asta	Rod	Barre	Stange
22	122746610/0	1	Snodo	Joint	Joint	Gelenk
23	25670008/1	2	Rondella	Washer	Rondelle	Scheibe
24	12141418/0	1	Coppiglia	Cotter Pin	Goupille	Splint
25	12155000/0	1	Dado	Nut	Ecrou	Mutter
26	12689515/0	2	Vite	Screw	Vis	Schraube
27	12154510/0	2	Dado	Nut	Ecrou	Mutter
28	12155000/0	1	Dado	Nut	Ecrou	Mutter
29	27670054/0	1	Rondella	Washer	Rondelle	Scheibe
31	84034059/0	1	Bilanciere	Equalizer	Balancier	Kipphebel



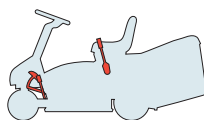


N.	CODE	Q.TY	DESCRIZIONE	DESCRIPTION	DESCRIPTION	BESCHREIBUNG
32	18737852/0	2	Tappo Chiusura	Cap	Bouchon	Verschluss
33	27047004/0	4	Bronzina	Bush	Douille	Büchse
34	84230405/0	1	Fusello Destro	Right Stub Axle	Fuseau Droite	Rechter Achsschenkel
35	84230407/0	1	Fusello Sinistro	Left Stub Axle	Fuseau Gauche	Linker Achsschenkel
36	12000970/0	1	Anello Elastico	Snap Ring	Anneau Ressort	Sprengring
37	27787041/0	1	Supporto	Support	Support	Halter
38	12793102/0	1	Vite	Screw	Vis	Schraube
39	12155000/0	1	Dado	Nut	Ecrou	Mutter
40	27840051/0	1	Tirante	Tie Rod	Tirant	Spannstange
41	12604899/0	2	Fissatore A Corona	Crown Fastener	Fixateur A Couronne	Kronescheibe
42	12692695/0	1	Vite	Screw	Vis	Schraube
43	12523100/0	2	Rondella	Washer	Rondelle	Scheibe
44	25160016/0	1	Distanziale	Spacer	Entretoise	Entfernungsstück
45	12587100/0	1	Grower	Grower	Grower	Grower
46	12295300/0	1	Dado	Nut	Ecrou	Mutter
51	84680056/1	2	Ass. Ruota Anteriore	Front Wheel	Roue Avant	Vorderrad
52	84044002/0	2	Cerchio	Rimm	Bandage Roue	Vorderrad Felger
53	27045070/0	4	Boccola	Bush	Douille	Buchse
54	27590058/0	2	Pneumatico	Shoe	Pneu	Reifen
55	27590056/0	2	Camera D'Aria	Inner Tube	Chambre A Aire	Reifenschlauch
56	12521390/0	2	Rondella	Washer	Rondelle	Scheibe
57	12000970/0	2	Anello Elastico	Snap Ring	Anneau Ressort	Sprengring



ELV 63

ELV 63 M

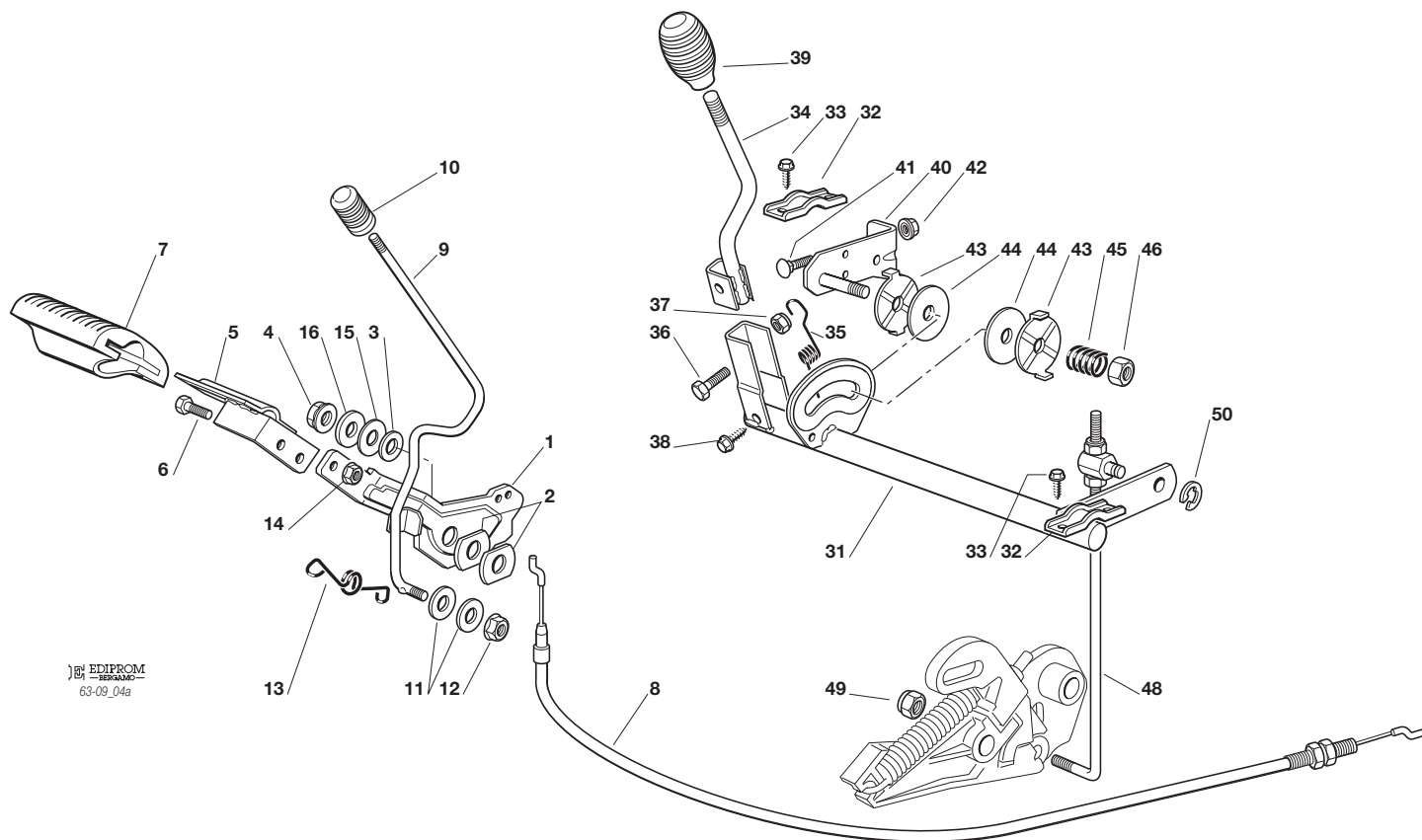


COMANDO TRASMISSIONE E FRENO
DRIVE AND BRAKE CONTROLS
COMMANDE TRANSMISSION ET FREIN
GETRIEBE UND BREMSE ANTRIEB

2011

1004a.0

1 / 1



EDIPROM
63-09_04a

N.	CODE	Q.TY	DESCRIZIONE	DESCRIPTION	DESCRIPTION	BESCHREIBUNG
1	27500051/0	1	Pedale Freno	Pedal	Pedal	Pedal
2	27670054/0	2	Rondella	Washer	Rondelle	Scheibe
3	12521350/0	1	Rondella	Washer	Rondelle	Scheibe
4	12154210/0	1	Dado	Nut	Ecrou	Mutter
5	84503005/0	1	Pedale Freno Sup.	Pedal Upper	Pedal Superieur	Pedal, Ober
6	112791200/1	2	Vite	Screw	Vis	Schraube
7	25110269/0	1	Coprstaffa	Clamp Cover	Couvre Etrier	Bridgedeckel
8	184207107/0	1	Filo	Cable	Fil	Kabel
9	27034064/1	1	Asta	Rod	Barre	Stange
10	27395050/1	1	Manopolina	Knob	Poignee	Griff
11	25670011/0	2	Rosetta	Washer	Rondelle	Scheibe
12	12154210/0	1	Dado	Nut	Ecrou	Mutter
13	27430564/0	1	Molla	Spring	Ressort	Feder
14	12292102/0	2	Dado	Nut	Ecrou	Mutter
15	27670055/0	1	Rondella	Washer	Rondelle	Scheibe
16	12523060/0	1	Rondella	Washer	Rondelle	Scheibe
31	384001027/0	1	Asse Cambio	Axle	Axe	Achse
32	27546015/1	2	Piastrina	Plate	Plaque	Platte
33	12729600/0	4	Vite	Screw	Vis	Schraube
34	84317071/0	1	Leva	Gearshift	Levier	Hebel
35	27430570/1	1	Molla	Spring	Ressort	Feder
36	12674700/0	1	Vite	Screw	Vis	Schraube
37	12154510/0	1	Dado	Nut	Ecrou	Mutter
38	12729600/0	1	Vite	Screw	Vis	Schraube
39	25394510/0	1	Manopola	Knob	Poignee	Griff
40	384783047/0	1	Supporto	Bracket	Support	Halter
41	12818690/0	2	Vite	Screw	Vis	Schraube
42	12293201/0	2	Dado	Nut	Ecrou	Mutter
43	27670053/0	2	Rondella	Washer	Rondelle	Scheibe





N.	CODE	Q.TY	DESCRIZIONE	DESCRIPTION	DESCRIPTION	BESCHREIBUNG
44	127207000/0	2	Ferodo	Lining	Pastille Frein	Bremsbelag
45	27430560/0	1	Molla	Spring	Ressort	Feder
46	12155020/0	1	Dado	Nut	Ecrou	Mutter
48	384002084/1	1	Asta Azionamento	Rod	Barre	Stange
49	12150000/0	1	Dado	Nut	Ecrou	Mutter
50	12604897/0	1	Anello Elastico	Snap Ring	Anneau Ressort	Sprengring

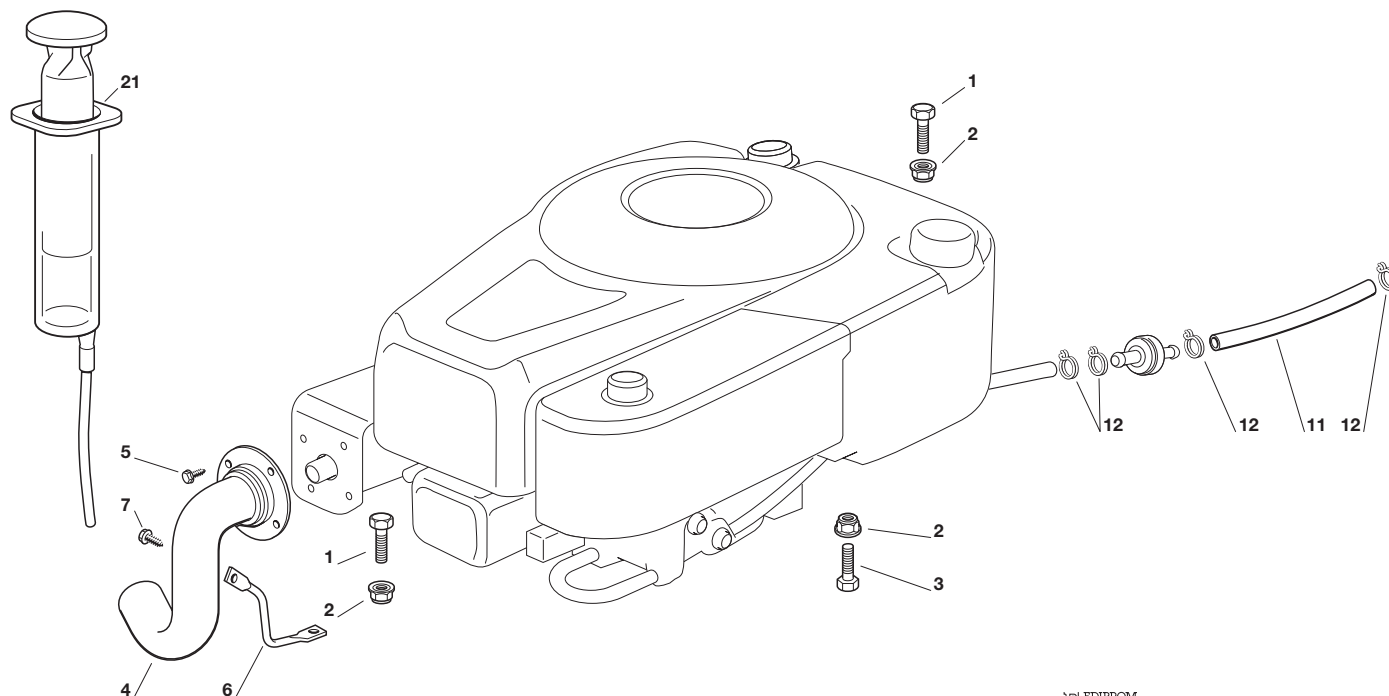


ELV 63**ELV 63 M**
**MOTORE
ENGINE
MOTEUR
MOTOR
B&S**


2011

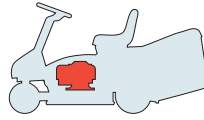
1005.0

1 / 1


 EDIPROM
 63-10_05

N.	CODE	Q.TY	DESCRIZIONE	DESCRIPTION	DESCRIPTION	BESCHREIBUNG
1	12691100/0	2	Vite	Screw	Vis	Schraube
2	12154210/0	3	Dado	Nut	Ecrou	Mutter
3	12691800/0	1	Vite	Screw	Vis	Schraube
4	118738245/0	1	Tubo Scarico	Exhauste Tube	Tube De Echappement	Rohr Für Apgasung
5	12735104/0	1	Vite	Screw	Vis	Schraube
6	127787077/0	1	Supporto	Bracket	Support	Halter
7	12735110/0	1	Vite	Screw	Vis	Schraube
11	25869033/1	1	Tubo Carburante	Tube	Tube	Rohr
12	18375051/1	2	Fascetta	Fair Led	Fixation De Cable	Kabelbefestigung
21	18718000/0	1	Siringa	Syringe	Seringue	Spritze

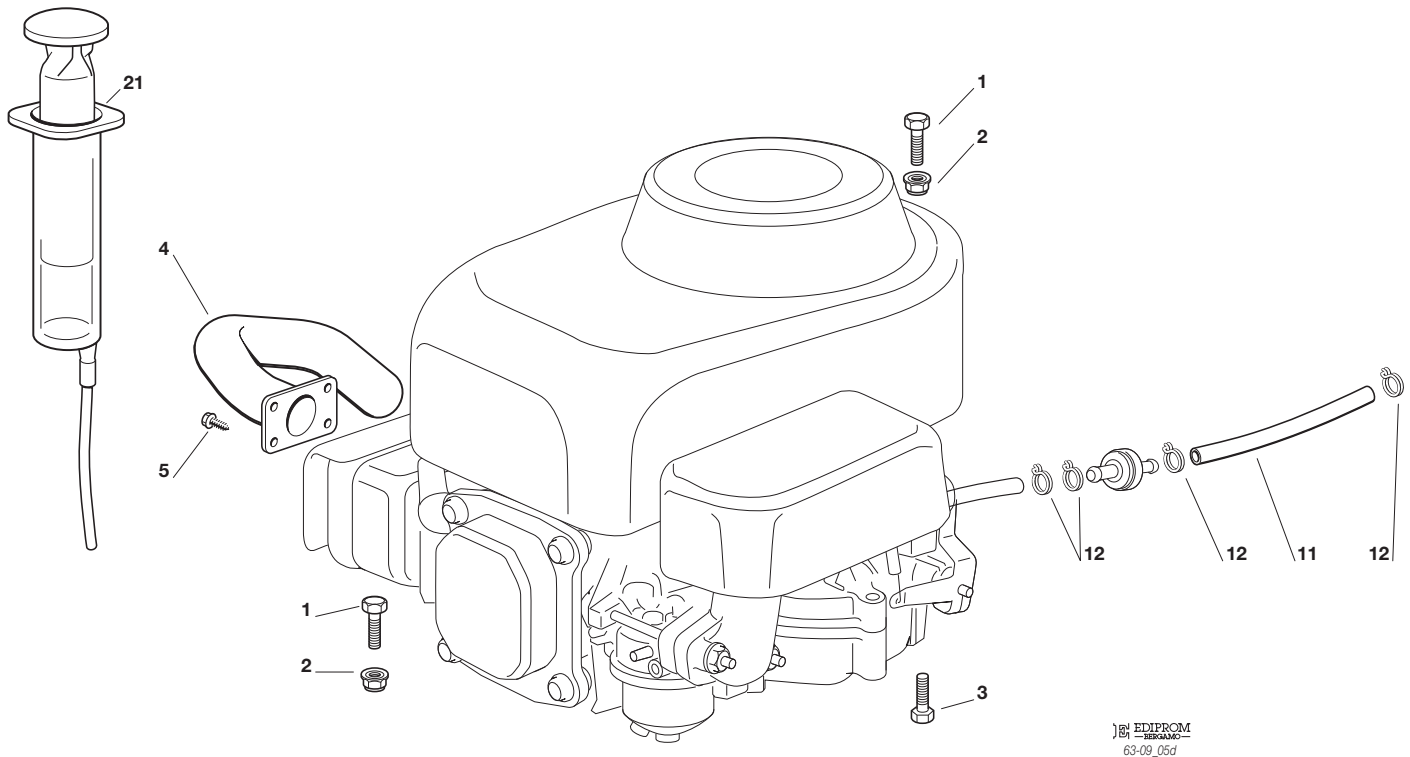


ELV 63**ELV 63 M**
**MOTORE
ENGINE
MOTEUR
MOTOR
GGP**

2011

1005d.0

1 / 1

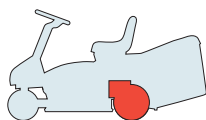


N.	CODE	Q.TY	DESCRIZIONE	DESCRIPTION	DESCRIPTION	BESCHREIBUNG
1	12691115/0	3	Vite	Screw	Vis	Schraube
2	12154210/0	3	Dado	Nut	Ecrou	Mutter
3	12691115/0	1	Vite	Screw	Vis	Schraube
4	18738201/0	1	Tubo Scarico	Exhauste Tube	Tube De Echappement	Rohr Für Apgasung
5	12735111/0	4	Vite	Screw	Vis	Schraube
11	25869035/1	1	Tubo Carburante	Tube	Tube	Rohr
12	18375051/1	2	Fascetta	Fair Led	Fixation De Cable	Kabelbefestigung
21	18718000/0	1	Siringa	Syringe	Seringue	Spritze



ELV 63

ELV 63 M

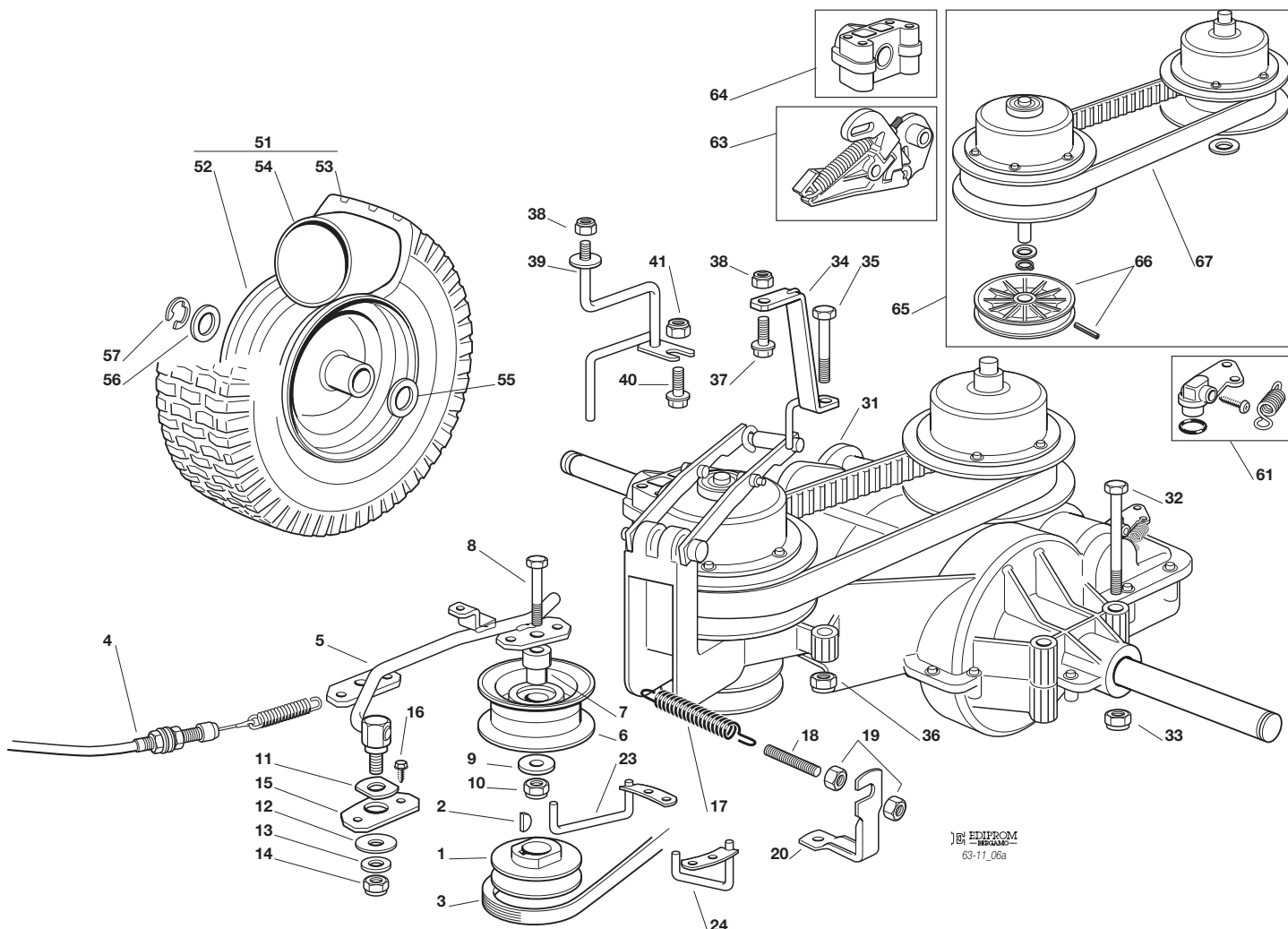


TRASMISSIONE
TRANSMISSION
TRANSMISSION
GETRIEBE

2011

1006a.1

1 / 2



N.	CODE	Q.TY	DESCRIZIONE	DESCRIPTION	DESCRIPTION	BESCHREIBUNG
1	127604012/0	1	Puleggia	Pulley	Poulie	Riemenscheibe
1	127604013/0	1	Puleggia (Honda)	Pulley (Honda)	Poulie (Honda)	Riemenscheibe (Honda)
2	12139100/0	1	Linguetta	Feather	Clavette	Keil
3	135061427/0	1	Cinghia	Belt	Courroie	Riemen
4	84207103/2	1	Filo	Cable	Fil	Kabel
5	384317091/0	1	Leva	Lever	Levier	Hebel
6	27604007/0	1	Puleggia	Pulley	Poulie	Riemenscheibe
7	27047007/0	1	Bussola	Bush	Douille	Buchse
8	12691200/0	1	Vite	Screw	Vis	Schraube
9	12523060/0	1	Rosetta	Washer	Rondelle	Scheibe
10	12155000/0	1	Dado	Nut	Ecrou	Mutter
11	27670054/0	1	Rondella	Washer	Rondelle	Scheibe
12	12523070/0	1	Rosetta	Washer	Rondelle	Scheibe
13	25670011/0	1	Rosetta	Washer	Rondelle	Scheibe
14	12155000/0	1	Dado	Nut	Ecrou	Mutter
15	27546029/0	1	Piastrina	Plate	Plaque	Platte
16	12735121/0	2	Vite	Screw	Vis	Schraube
17	25430219/0	1	Molla	Spring	Ressort	Feder
18	25840005/0	1	Tirante	Tie Rod	Tirant	Spannstange
19	12293200/0	2	Dado	Nut	Ecrou	Mutter
20	327773081/1	1	Squadretta	Angle Bracket	Equerre	Winkel
23	382270305/0	1	Piastrina	Plate	Plaque	Platte
24	382270307/0	1	Piastrina	Plate	Plaque	Platte
31	118400973/1	1	Gruppo Trasmissione	Transmission Unit	Groupe Transmission	Antriebsgruppe
32	12692050/0	4	Vite	Screw	Vis	Schraube
33	12154210/0	4	Dado	Nut	Ecrou	Mutter
34	384783045/0	1	Supporto	Support	Support	Halter
39	384783043/0	1	Supporto	Support	Support	Halter
35	12691115/0	1	Vite	Screw	Vis	Schraube



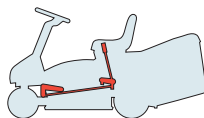


N.	CODE	Q.TY	DESCRIZIONE	DESCRIPTION	DESCRIPTION	BESCHREIBUNG
37	12793102/0	1	Vite	Screw	Vis	Schraube
38	12154210/0	2	Dado	Nut	Ecrou	Mutter
36	12154210/0	1	Dado	Nut	Ecrou	Mutter
40	12793301/0	1	Vite	Screw	Vis	Schraube
41	12154210/0	1	Dado	Nut	Ecrou	Mutter
51	84680057/1	2	Ruota Posteriore	Rear Wheel	Roue Arriere	Hinterrad
52	84044005/0	2	Cerchio	Rimm	Bandage Roue	Hinterrad Felger
53	27590059/0	2	Pneumatico	Shoe	Pneu	Reifen
54	27590057/0	2	Camera D'Aria	Inner Tube	Chambre A Aire	Reifenschlauch
55	12521410/0	2	Rosetta	Washer	Rondelle	Scheibe
56	25670005/1	2	Rosetta	Washer	Rondelle	Scheibe
57	12001010/0	2	Anello Elastico	Snap Ring	Anneau Ressort	Sprengring
61	119700059/0	1	Kit Freno	Brake Kit	Kit Frein	Kit Bremse
63	119700065/0	1	Gruppo Comando	Control Unit	Groupe Commande	Steuersatz
64	119700061/0	1	Bussola	Bush	Douille	Buchse
65	119700057/0	1	Kit Variatore	Variator Kit	Kit Variateur	Kit Drehzahländerung
66	119700066/0	1	Puleggia	Pulley	Poulie	Riemenscheibe
67	119700062/0	1	Cinghia	Belt	Courroie	Riemen



ELV 63

ELV 63 M

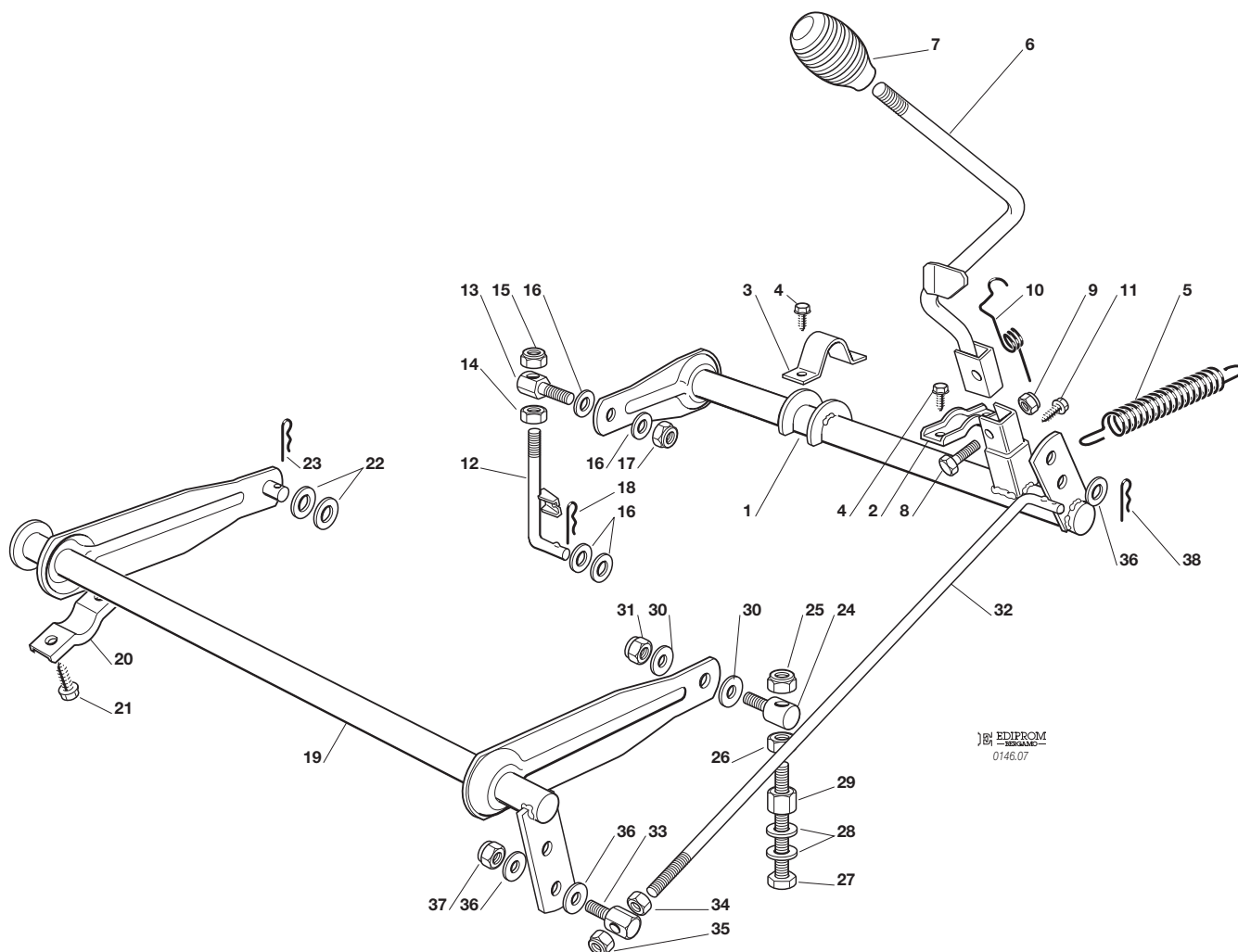


SOLLEVAMENTO PIATTO DI TAGLIO
CUTTING PLATE LIFTING
SOULEVEMENT PLATEAU DE COUPE
SCHNEIDWERKZEUG AUFHEBESATZ

2011

1007.0

1 / 2



EDIPROM
0146.07

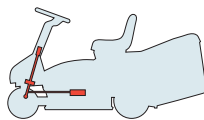
N.	CODE	Q.TY	DESCRIZIONE	DESCRIPTION	DESCRIPTION	BESCHREIBUNG
1	84001017/0	1	Asse Sollevamento Post.	Axle	Axe	Achse
2	27546015/1	1	Piastrina	Plate	Plaque	Platte
3	25547037/1	1	Piastrina	Plate	Plaque	Platte
4	12729600/0	4	Vite	Screw	Vis	Schraube
5	27430568/0	1	Molla	Spring	Ressort	Feder
6	84317075/0	1	Leva	Gearshift	Levier	Hebel
7	25394510/0	1	Manopola	Knob	Poignee	Knopf
8	12674700/0	1	Vite	Screw	Vis	Schraube
9	12154510/0	1	Dado	Nut	Ecrou	Mutter
10	27430574/0	1	Molla	Spring	Ressort	Feder
11	12729600/0	1	Vite	Screw	Vis	Schraube
12	327034087/1	1	Asta Post.	Rod	Barre	Stange
13	25510056/0	1	Perno	Pin	Pivot	Bolzen
14	12295200/0	1	Dado	Nut	Ecrou	Mutter
15	12156602/0	1	Dado	Nut	Ecrou	Mutter
16	25670008/1	4	Rondella	Washer	Rondelle	Scheibe
17	12156602/0	1	Dado	Nut	Ecrou	Mutter
18	24487997/0	1	Coppiglia	Cotter Pin	Goupille	Splint
19	384001033/0	1	Asse Sollevamento Ant.	Axle	Axe	Achse
20	27546015/1	2	Piastrina	Plate	Plaque	Platte
21	12731350/0	4	Vite	Screw	Vis	Schraube
22	25670008/1	2	Rondella	Washer	Rondelle	Scheibe
23	24487997/0	1	Coppiglia	Cotter Pin	Goupille	Splint
24	125510007/2	1	Perno	Pin	Pivot	Bolzen
25	12156602/0	1	Dado	Nut	Ecrou	Mutter
26	12295200/0	1	Dado	Nut	Ecrou	Mutter
27	12794970/0	1	Vite	Screw	Vis	Schraube
28	12521360/0	2	Rondella	Washer	Rondelle	Scheibe
29	12154250/0	1	Dado	Nut	Ecrou	Mutter
30	25670008/1	2	Rondella	Washer	Rondelle	Scheibe
31	12156602/0	1	Dado	Nut	Ecrou	Mutter





N.	CODE	Q.TY	DESCRIZIONE	DESCRIPTION	DESCRIPTION	BESCHREIBUNG
32	27034065/0	1	Asta	Rod	Barre	Stange
33	25510040/1	1	Perno	Pin	Pivot	Bolzen
34	12293200/0	1	Dado	Nut	Ecrou	Mutter
35	12155000/0	1	Dado	Nut	Ecrou	Mutter
36	25670011/0	3	Rondella	Washer	Rondelle	Scheibe
37	12155000/0	1	Dado	Nut	Ecrou	Mutter
38	24487997/0	1	Coppiglia	Cotter Pin	Goupille	Splint



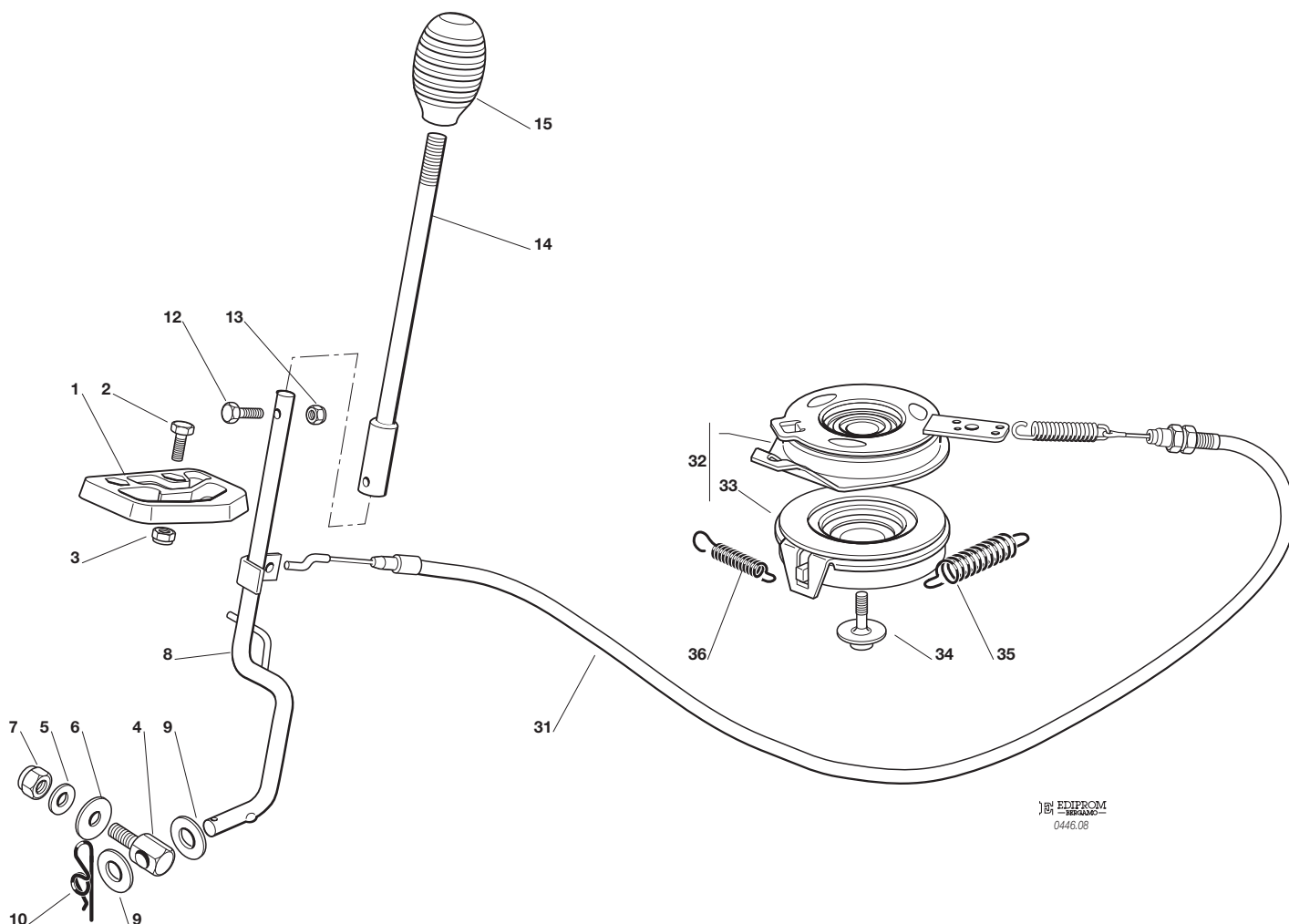
ELV 63**ELV 63 M**

PIATTO DI TAGLIO (1)
CUTTING PLATE (1)
PLATEAU DE COUPE (1)
SCHNEIDWERKZEUG (1)
GGP

2011

1008.0

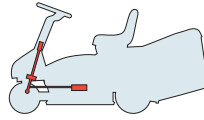
1 / 1



EDIPROM
 0446.08

N.	CODE	Q.TY	DESCRIZIONE	DESCRIPTION	DESCRIPTION	BESCHREIBUNG
1	27487001/0	1	Pattino	Shoe	Bloc De Glissement	Gleitblock
2	112791200/1	2	Vite	Screw	Vis	Schraube
3	12154510/0	2	Dado	Nut	Ecrou	Mutter
4	27510107/0	1	Perno	Pin	Pivot	Bolzen
5	25670011/0	1	Rondella	Washer	Rondelle	Scheibe
6	22672152/0	1	Rondella	Washer	Rondelle	Scheibe
7	12155000/0	1	Dado	Nut	Ecrou	Mutter
8	84317073/1	1	Leva	Lever	Levier	Hebel
9	21660100/0	2	Ralla	Thurst Washer	Butee	Scheibe
10	24487998/0	1	Coppiglia	Cotter Pin	Goupille	Splint
12	12789020/0	1	Vite	Screw	Vis	Schraube
13	12154330/0	1	Dado	Nut	Ecrou	Mutter
14	84317079/0	1	Leva	Gearshift	Levier	Hebel
15	25394510/0	1	Manopola	Knob	Poignee	Knopf
31	84207104/1	1	Filo	Cable	Fil	Kabel
32	18399065/1	1	Ass. Frizione Meccanica	Mechanical Clutch Ass.Y	Ens. Embrayage Mecan.	Mechanische Kupplung
33	18399066/1	1	Parte Inferiore Frizione	Clutch, Lower Part	Partie Infer. Embrayage	Kupplung, Unterseite
34	12735460/0	1	Vite	Screw	Vis	Schraube
35	27430579/0	1	Molla	Spring	Ressort	Feder
36	22450110/0	1	Molla	Spring	Ressort	Feder



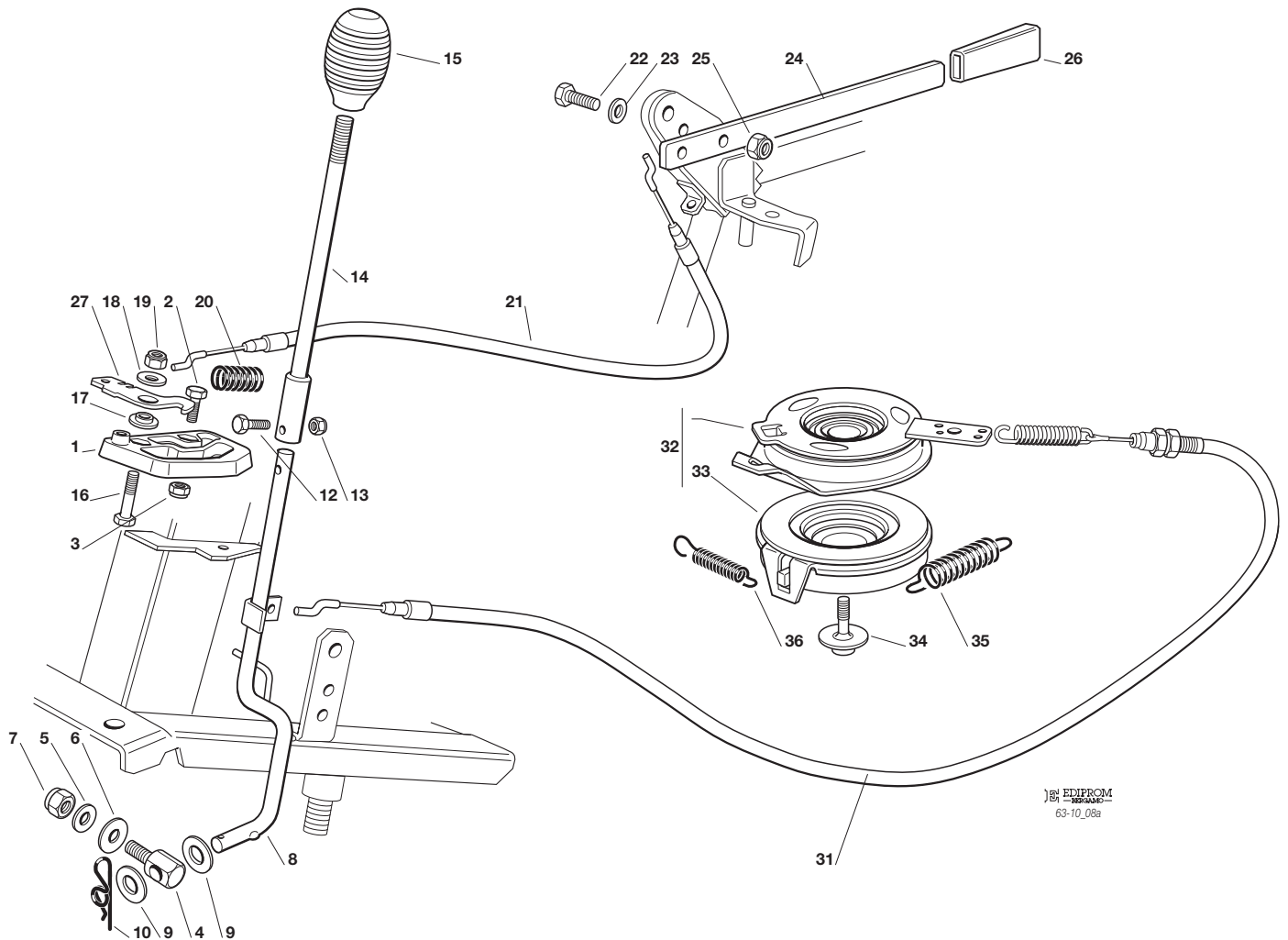
ELV 63**ELV 63 M**

PIATTO DI TAGLIO (1)
CUTTING PLATE (1)
PLATEAU DE COUPE (1)
SCHNEIDWERKZEUG (1)
B&S

2011

1008a.1

1 / 1



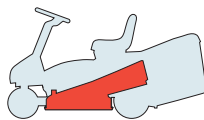
EDIPROM
 63-10_08a

N.	CODE	Q.TY	DESCRIZIONE	DESCRIPTION	DESCRIPTION	BESCHREIBUNG
1	27487001/0	1	Pattino	Shoe	Bloc De Glissement	Gleitblock
2	112791200/1	2	Vite	Screw	Vis	Schraube
3	12154510/0	2	Dado	Nut	Ecrou	Mutter
4	27510107/0	1	Perno	Pin	Pivot	Bolzen
5	25670011/0	1	Rondella	Washer	Rondelle	Scheibe
6	22672152/0	1	Rondella	Washer	Rondelle	Scheibe
7	12155000/0	1	Dado	Nut	Ecrou	Mutter
8	84317073/1	1	Leva	Lever	Levier	Hebel
9	21660100/0	2	Ralla	Thurst Washer	Butee	Scheibe
10	24487998/0	1	Coppiglia	Cotter Pin	Goupille	Splint
12	12789020/0	1	Vite	Screw	Vis	Schraube
13	12154330/0	1	Dado	Nut	Ecrou	Mutter
14	84317079/0	1	Leva	Gearshift	Levier	Hebel
15	25394510/0	1	Manopola	Knob	Poignee	Knopf
16	12792099/0	1	Vite	Screw	Vis	Schraube
17	325160039/0	1	Distanziale	Spacer	Entretoise	Entfernungsstück
18	12523040/0	1	Rondella	Washer	Rondelle	Scheibe
19	12154510/0	1	Dado	Nut	Ecrou	Mutter
20	25430206/1	1	Molla	Spring	Ressort	Feder
21	184000255/0	1	Filo	Cable	Fil	Kabel
22	125510080/1	1	Perno	Pin	Pivot	Bolzen
23	12521350/0	1	Rondella	Washer	Rondelle	Scheibe
24	327315131/0	1	Leva	Lever	Levier	Hebel
25	12154510/0	1	Dado	Nut	Ecrou	Mutter
26	22397000/0	1	Manopola	Knob	Poignee	Knopf
27	327253000/1	1	Gancio	Hook	Accrochage	Haken
31	84207104/1	1	Filo	Cable	Fil	Kabel
32	18399065/1	1	Ass. Frizione Meccanica	Mechanical Clutch Ass.Y	Ens. Embrayage Mecanique	Mechanische Kupplung
33	18399066/1	1	Parte Inferiore Frizione	Clutch, Lower Part	Partie Infer. Embrayage	Kupplung, Unterseite
34	12735460/0	1	Vite	Screw	Vis	Schraube
35	27430579/0	1	Molla	Spring	Ressort	Feder
36	22450110/0	1	Molla	Spring	Ressort	Feder



ELV 63

ELV 63 M

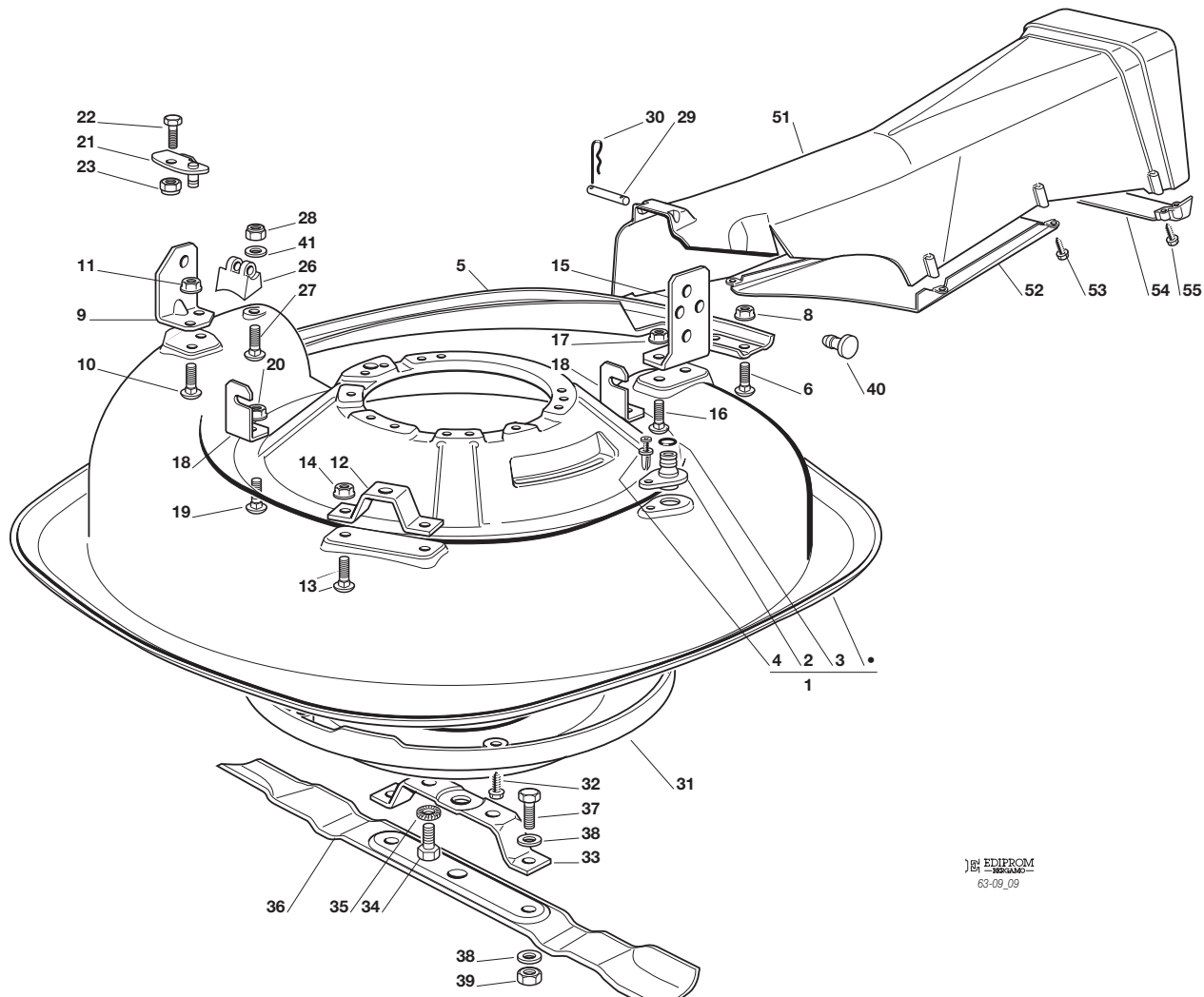


PIATTO DI TAGLIO (2)
CUTTING PLATE (2)
PLATEAU DE COUPE (2)
SCHNEIDWERKZEUG (2)

2011

1009.0

1 / 2



EDIPROM
63-09_09

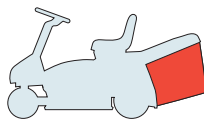
N.	CODE	Q.TY	DESCRIZIONE	DESCRIPTION	DESCRIPTION	BESCHREIBUNG
1	384564095/1	1	Piatto Di Taglio, Nero	Cutting Plate, Black	Plateau De Coupe, Noir	Schneidwerkzeug, Schwarz
1	384564104/1	1	Piatto Di Taglio Rosso	Cutting Plate	Plateau De Coupe	Schneidwerkzeug
2	25033060/0	1	Attacco Tubo Acqua	Water Hose Connection	Raccord Tuyau D'Eau	Wasseranschluss
3	19035000/0	1	Anello Or	O Ring	O Ring	O Ring
4	12500030/0	1	Rivetto	Rivet	Rivet	Niet
5	84650103/0	1	Rinforzo	Stiffening	Renforcement	Verstaerkung
6	12815200/0	4	Vite	Screw	Vis	Schraube
8	12292102/0	4	Dado	Nut	Ecrou	Mutter
9	27772119/0	1	Staffa	Clamp	Etrier	Bride
10	12818690/0	2	Vite	Screw	Vis	Schraube
11	12293201/0	2	Dado	Nut	Ecrou	Mutter
12	27772133/0	1	Staffa	Clamp	Etrier	Bride
13	12818690/0	2	Vite	Screw	Vis	Schraube
14	12293201/0	2	Dado	Nut	Ecrou	Mutter
15	327772127/2	1	Staffa	Clamp	Etrier	Bride
16	12818700/0	2	Vite	Screw	Vis	Schraube
17	12293201/0	2	Dado	Nut	Ecrou	Mutter
18	27753071/0	2	Squadretta	Angle Bracket	Equerre	Winkel
19	12818690/0	2	Vite	Screw	Vis	Schraube
20	12293201/0	2	Dado	Nut	Ecrou	Mutter
21	84545063/0	1	Piastrina	Plate	Plaque	Platte
22	12792611/0	1	Vite	Screw	Vis	Schraube
23	12155000/0	1	Dado	Nut	Ecrou	Mutter
26	27230200/2	1	Gancio	Hook	Accrochage	Haken
27	12815210/0	1	Vite	Screw	Vis	Schraube
28	12154510/0	1	Dado	Nut	Ecrou	Mutter
29	27510097/1	1	Perno	Pin	Pivot	Bolzen
30	24487997/0	2	Coppiglia	Cotter Pin	Goupille	Split
31	27600122/0	1	Protezione	Guard	Protection	Schutz
32	12728530/0	5	Vite	Screw	Vis	Schraube
33	27787045/1	1	Supporto Coltello	Bracket	Support	Halter





N.	CODE	Q.TY	DESCRIZIONE	DESCRIPTION	DESCRIPTION	BESCHREIBUNG
34	12794110/0	2	Vite	Screw	Vis	Schraube
35	12540070/0	2	Rosetta	Washer	Rondelle	Scheibe
36	84109504/0	1	Coltello Mulching	Blade	Lame	Messer
37	12793102/0	2	Vite	Screw	Vis	Schraube
38	12523060/0	4	Rondella	Washer	Rondelle	Scheibe
39	12155010/0	2	Dado	Nut	Ecrou	Mutter
40	27275000/0	1	Gommino	Grommet	Caoutchouc	Gummi
41	12521330/0	1	Rosetta	Washer	Rondelle	Scheibe
51	27107502/0	1	Convogliatore	Conveyor	Convoyeur	Blechsatz
52	327140056/0	1	Deflettore	Deflector	Deflecteur	Abweiser
53	12735402/0	5	Vite	Screw	Vis	Schraube
54	27650120/0	1	Rinforzo	Stiffening	Renforcement	Verstaerkung
55	12735410/0	2	Vite	Screw	Vis	Schraube

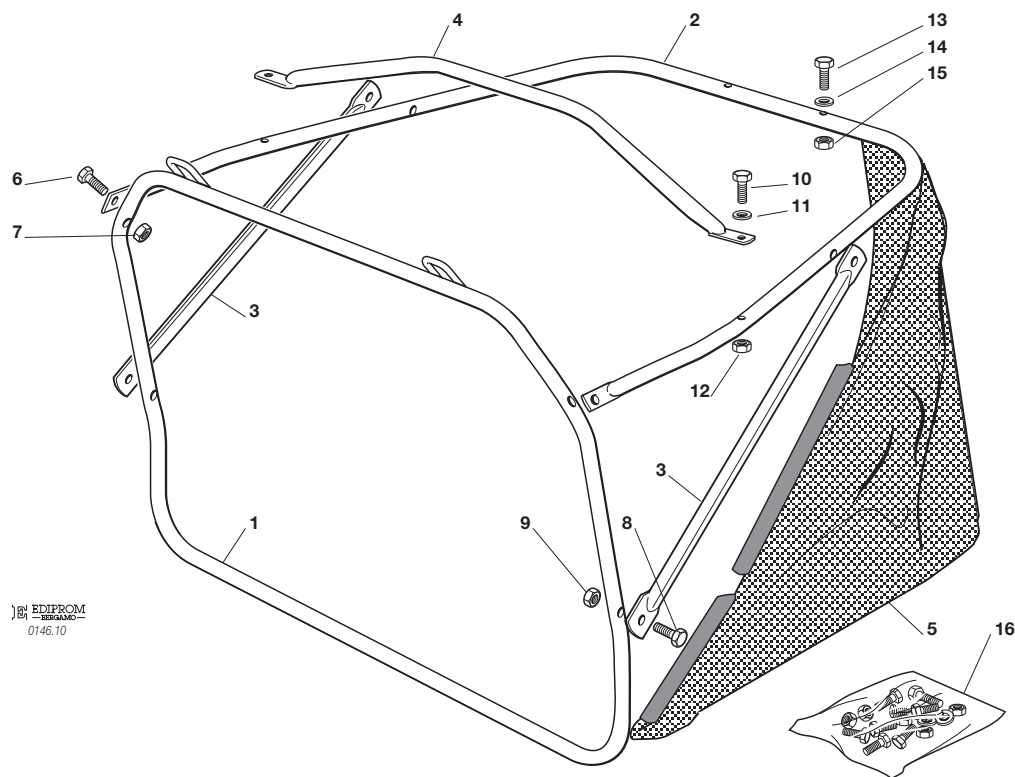


ELV 63**ELV 63 M**
SACCO
GRASSCATCHER
BAC
AUFFANGSACK

2011

1010.0

1 / 1

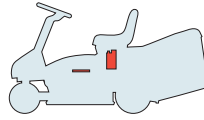

 EDIPROM
 0146.10

N.	CODE	Q.TY	DESCRIZIONE	DESCRIPTION	DESCRIPTION	BESCHREIBUNG
1	84801121/0	1	Telaio Anteriore	Front Frame	Chassis Anterieur	Vorderrahmen
2	84801119/0	1	Telaio Superiore	Upper Frame	Chassis Superieur	Obererrahmen
3	27650117/0	2	Rinforzo	Stiffening	Renforcement	Verstaerkung
4	84394051/0	1	Maniglia	Handle	Poignee	Griff
5	184106068/0	1	Confezione Sacco	Grasscatcher	Bac	Sack
6	12789020/0	2	Vite	Screw	Vis	Schraube
7	12154330/0	2	Dado	Nut	Ecrou	Mutter
8	12789020/0	4	Vite	Screw	Vis	Schraube
9	12154330/0	4	Dado	Nut	Ecrou	Mutter
10	12789210/0	2	Vite	Screw	Vis	Schraube
11	12521331/0	2	Rosetta	Washer	Rondelle	Scheibe
12	12154330/0	2	Dado	Nut	Ecrou	Mutter
13	12674530/0	2	Vite	Screw	Vis	Schraube
14	12521331/0	2	Rosetta	Washer	Rondelle	Scheibe
15	12154330/0	2	Dado	Nut	Ecrou	Mutter
16	84180186/0	1	Dotazione Viteria (6÷15)	Screws Outfit (6÷15)	Ensemble Des Vis (6÷15)	Schraubenausruistung (6÷15)



ELV 63

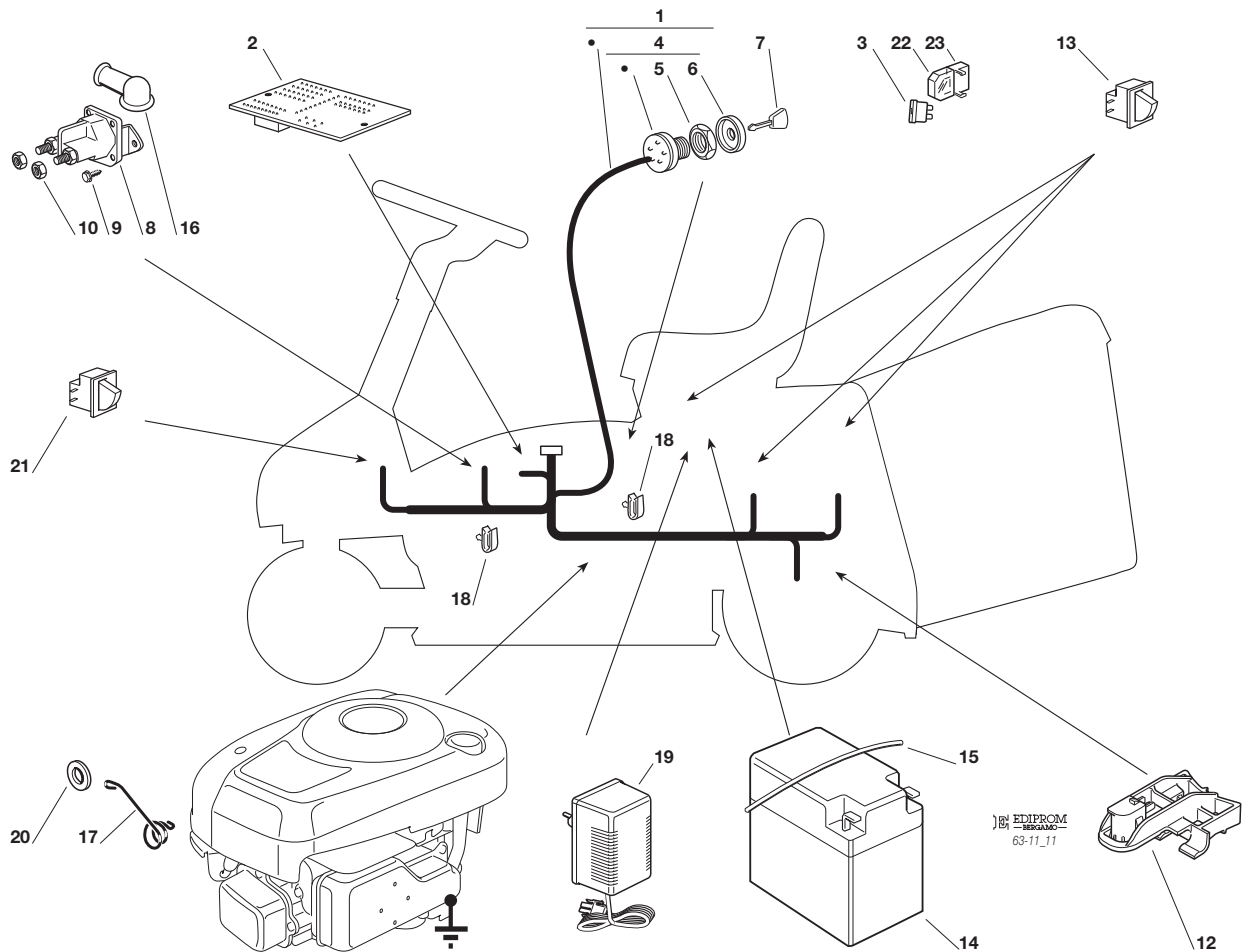
ELV 63 M

**PARTI ELETTRICHE (Avviam. elettrico)****ELECTRICAL PARTS (Electric start)****PARTIES ELECTRIQUES (Dém. électrique)****ELETRISCHETEILE (Elektrische Anlassen)**

2011

1011.0

1 / 1

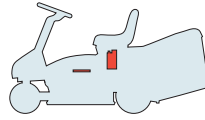


N.	CODE	Q.TY	DESCRIZIONE	DESCRIPTION	DESCRIPTION	BESCHREIBUNG
1	84040123/1	1	Cablaggio	Cables	Cablages	Kabelsatz
2	27722354/0	1	Scheda Elettronica	Electronic Card	Carte Electronique	Elektronische Karte
3	33340040/0	1	Fusibile 10A	Fuse 10A	Fusible 10A	Sicherung 10A
4	18450065/1	1	Interruttore Avviamento	Starting Switch	Interrupteur Demarrage	Schalter
5	18400861/0	1	Ghiera	Screwed Ring	Embout	Nutmutter
6	18565351/0	1	Protezione Ghiera	Screwed Ring Protection	Protection Embout	Nutmutter Schutz
7	18210016/1	1	Chiave Avviamento	Starting Key	Clef A Demarrage	Schlüssel Für Start
8	18736111/0	1	Relè Avviamento	Starter Relay	Relais D'Allumage	Anlassrelais
9	12735110/0	2	Vite	Screw	Vis	Schraube
10	12360352/0	2	Dado	Nut	Ecrou	Mutter
12	119700064/0	1	Interruttore Cambio	Gearbox Switch	Int. Boîte De Vitesse	Antrieb Schalter
13	119410615/0	3	Micro Interruttore	Microswitch	Microinterrupteur	Mikroschalter
14	18120004/0	1	Batteria	Battery	Batterie	Batterie
15	27430572/0	1	Molla	Spring	Ressort	Feder
16	18564861/1	1	Cappuccio	Protection	Capuchon	Stecker
17	27430557/0	1	Molla	Spring	Ressort	Feder
18	33320506/0	5	Fermacavo	Fairlead	Fixation Cable	Kabelbefestigung
19	82180051/0	1	Carica Batterie	Battery Charger	Chargeur Batteries	Batterieladegerät
19	82180053/0	1	Carica Batterie (Uk)	Battery Charger (Uk)	Chargeur Batteries (Uk)	Batterieladegerät (Uk)
20	12523020/0	1	Rosetta	Washer	Rondelle	Scheibe
21	119410612/1	1	Micro Interruttore	Microswitch	Microinterrupteur	Mikroschalter
22	33215000/0	1	Coperchio	Cover	Couvercle	Deckel
23	33500007/0	1	Portafusibile	Fuse Carrier	Tableau De Fusible	Sicherungshalter



ELV 63

ELV 63 M

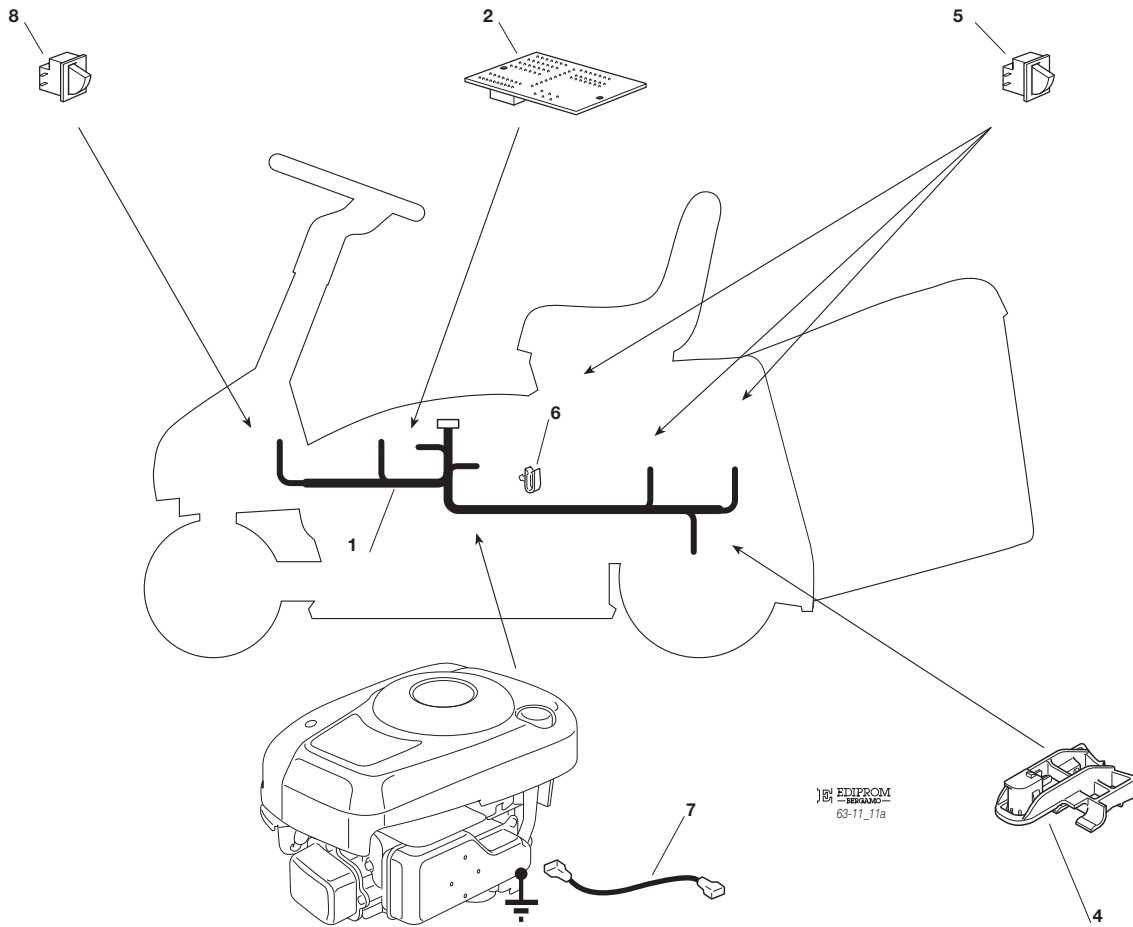


PARTI ELETTRICHE (Avviam. manuale)
 ELECTRICAL PARTS (Manual start)
 PARTIES ELECTRIQUES (Dém. manuelle)
 ELETRISCHETEILE (Anlassen von Hand)

2011

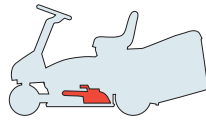
1011a.0

1 / 1



N.	CODE	Q.TY	DESCRIZIONE	DESCRIPTION	DESCRIPTION	BESCHREIBUNG
1	84040128/0	1	Cablaggio	Cables	Cablages	Kabelsatz
2	27722357/0	1	Scheda Elettronica	Electronic Card	Carte Electronique	Elektronische Karte
4	119700064/0	1	Interruttore Cambio	Gearbox Switch	Int. Boîte De Vitesse	Antrieb Schalter
5	119410615/0	3	Micro Interruttore	Microswitch	Microinterrupteur	Mikroschalter
6	33320506/0	6	Fermacavo	Fairlead	Fixation Cable	Kabelbefestigung
7	27065061/0	1	Cavo Massa (B&S)	Cable (B&S)	Cables (B&S)	Kabel (B&S)
7	27065064/0	1	Cavo Massa (GGP)	Cable (GGP)	Cables (GGP)	Kabel (GGP)
8	19410612/0	1	Micro Interruttore	Microswitch	Microinterrupteur	Mikroschalter



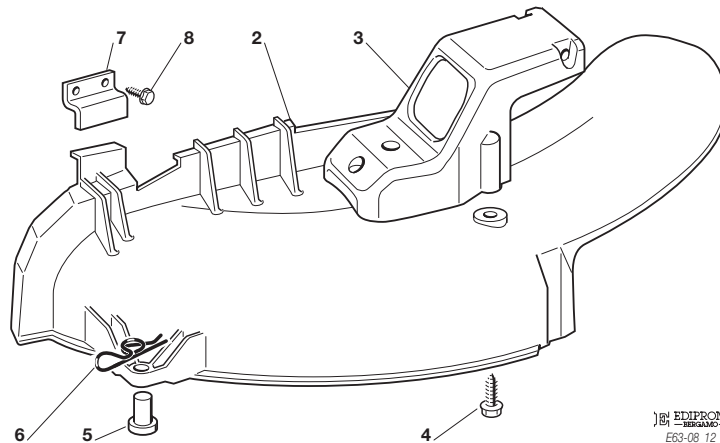
ELV 63**ELV 63 M**

ACCESSORI A RICHIESTA
OPTIONALS ON REQUEST
ACCESSOIRES SUR DEMANDE
ZUBEHOERE NACH ANFRAGE

2011

1012.0

1 / 1



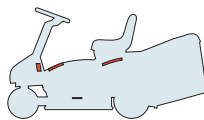
EDIPROM
 1000000000
 E63-08_12

N.	CODE	Q.TY	DESCRIZIONE	DESCRIPTION	DESCRIPTION	BESCHREIBUNG
2	27140052/0	1	Deflettore	Deflector	Deflecteur	Abweiser
3	27230201/0	1	Fulcro	Fulcrum	Point D'Appui	Drehpunkt
4	12735410/0	3	Vite	Screw	Vis	Schraube
5	25510022/0	1	Perno	Pin	Pivot	Bolzen
6	24487998/0	1	Coppiglia	Cotter Pin	Goupille	Splint
7	27772139/0	1	Staffa	Clamp	Etrier	Bride
8	12735110/0	2	Vite	Screw	Vis	Schraube



ELV 63

ELV 63 M

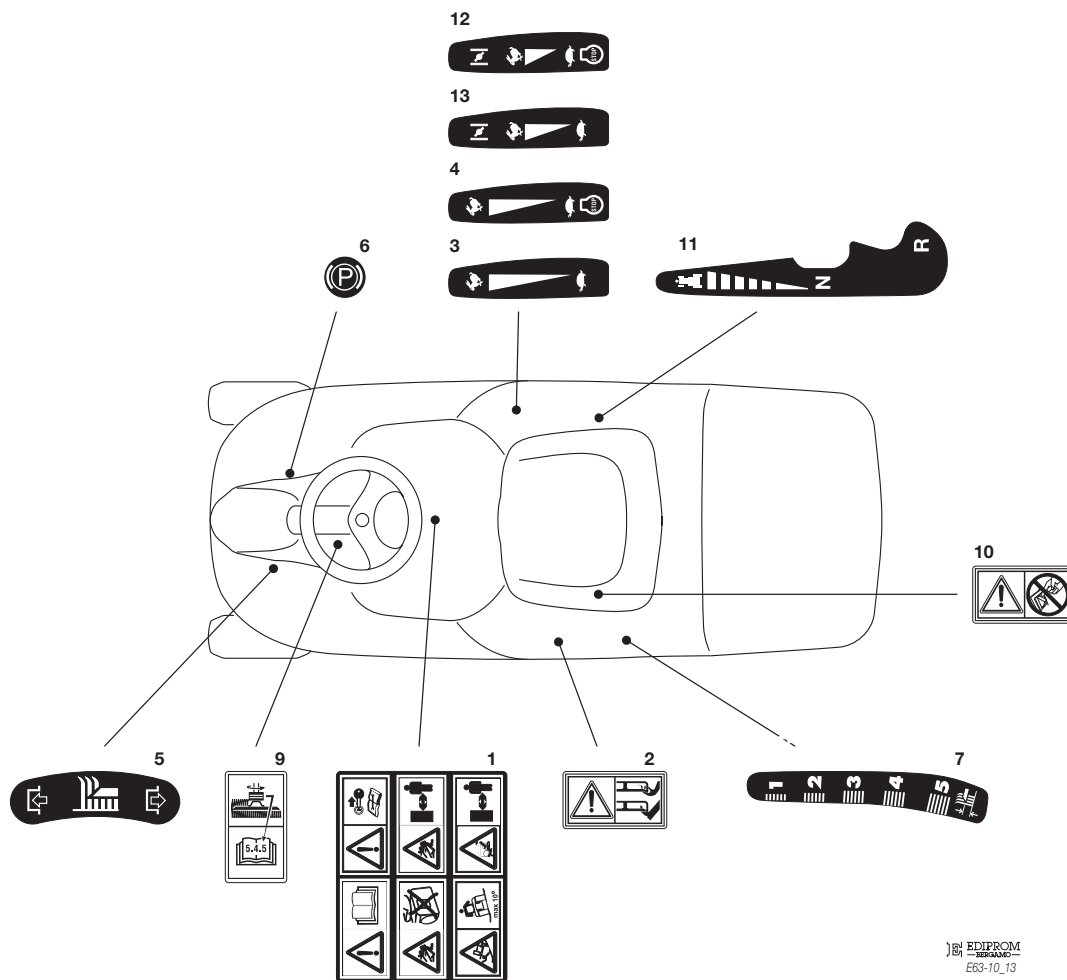


**ETICHETTE
LABELS
ETIQUETTES
KLEBZETTEL**

2011

1013.0

1 / 1



EDIPROM
EB3-10_13

N.	CODE	Q.TY	DESCRIZIONE	DESCRIPTION	DESCRIPTION	BESCHREIBUNG
1	114357428/1	1	Etichetta	Label	Etiquette	Klebzettel
2	114356699/1	1	Etichetta	Label	Etiquette	Klebzettel
3	14358415/0	1	Etichetta (ELV 63 M) (GGP)	Label (ELV 63 M) (GGP)	Etiquette (ELV 63 M) (GGP)	Klebzettel (ELV 63 M) (GGP)
4	14358717/0	1	Etichetta (ELV 63) (GGP)	Label (ELV 63) (GGP)	Etiquette (ELV 63) (GGP)	Klebzettel (ELV 63) (GGP)
5	14358418/0	1	Etichetta	Label	Etiquette	Klebzettel
6	14358460/0	1	Etichetta	Label	Etiquette	Klebzettel
7	14358417/0	1	Etichetta	Label	Etiquette	Klebzettel
9	114358654/1	1	Etichetta	Label	Etiquette	Klebzettel
10	14360118/0	1	Etichetta	Label	Etiquette	Klebzettel
11	114362319/0	1	Etichetta	Label	Etiquette	Klebzettel
12	114364613/0	1	Etichetta (ELV 63 M) (B&S)	Label (ELV 63 M) (B&S)	Etiquette (ELV 63 M) (B&S)	Klebzettel (ELV 63 M) (B&S)
13	114364614/0	1	Etichetta (ELV 63) (B&S)	Label (ELV 63) (B&S)	Etiquette (ELV 63) (B&S)	Klebzettel (ELV 63) (B&S)

