



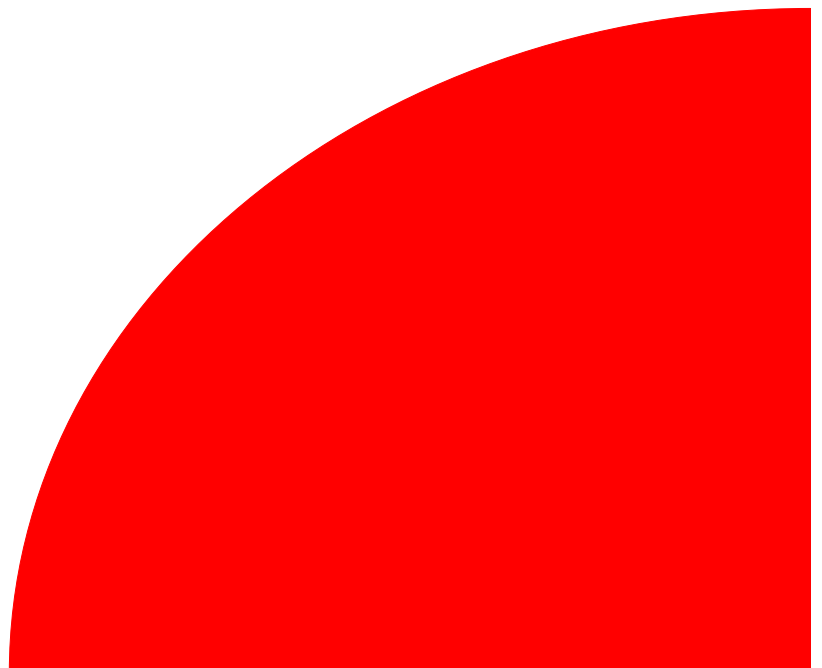
Bricomarché

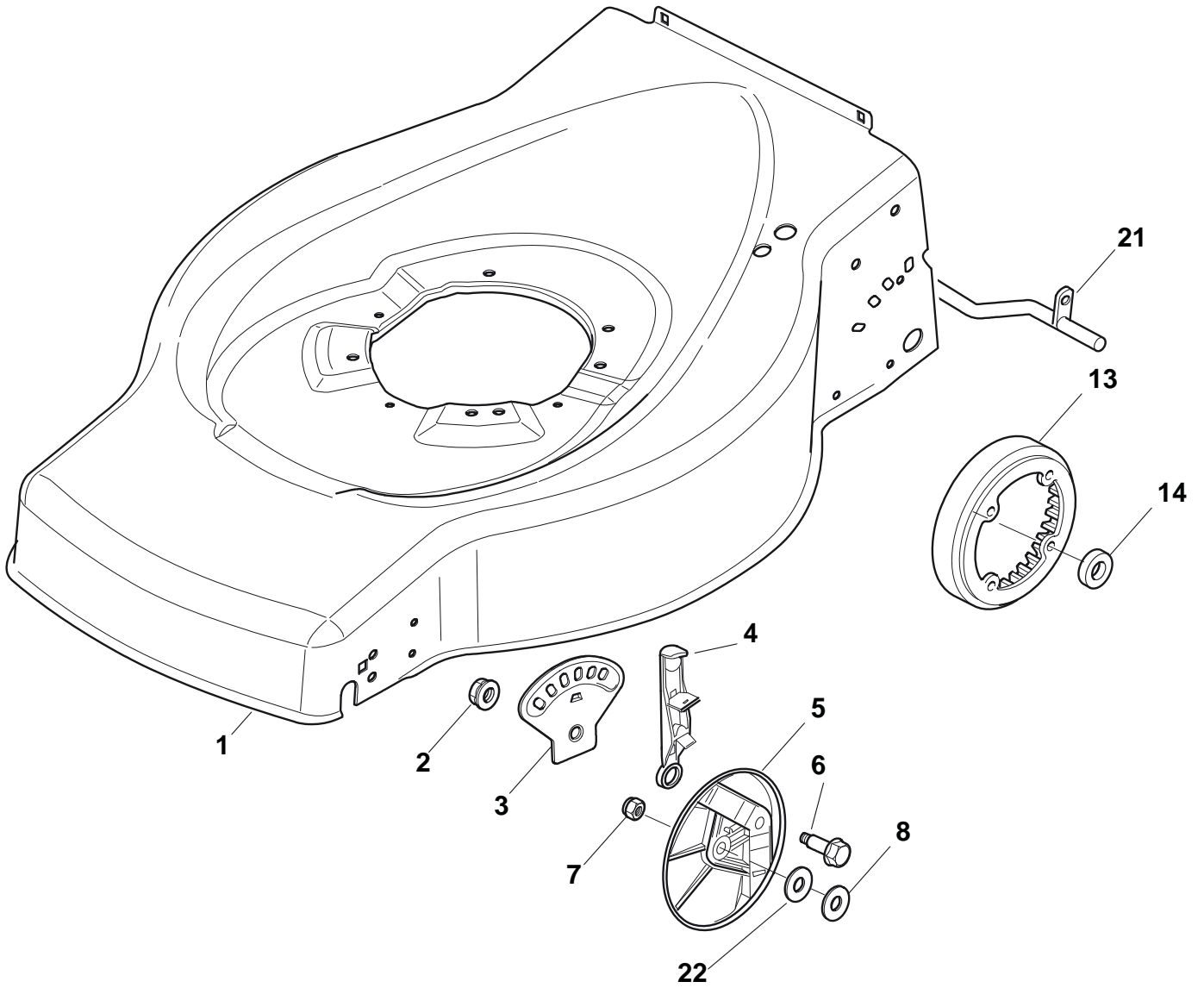
**Catalogue des pieces de rechange
Spare parts catalogue**

Modèle/Model:

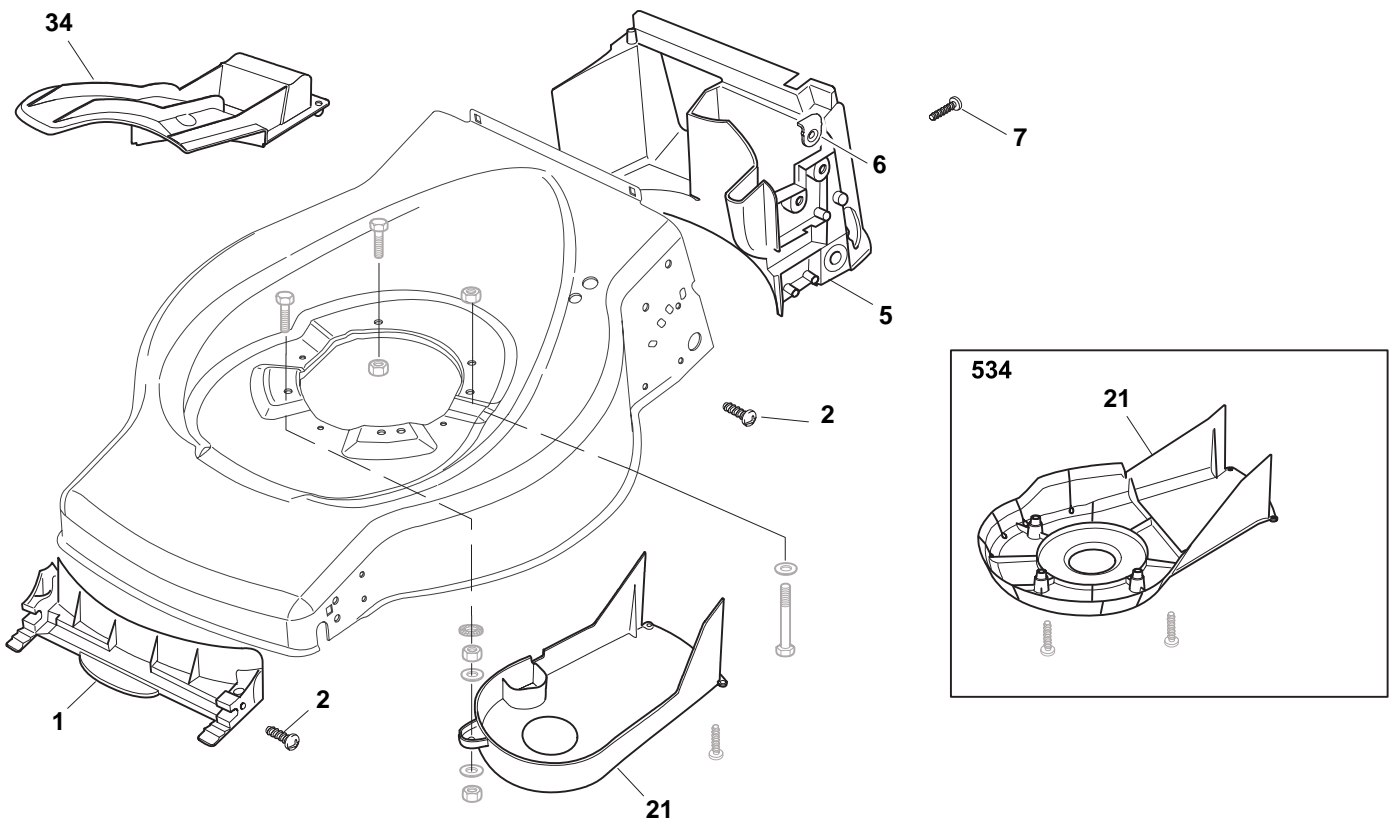
ES 464 TRBM - Année Modèle 2012

ES 464 TRBM - Model Year 2012

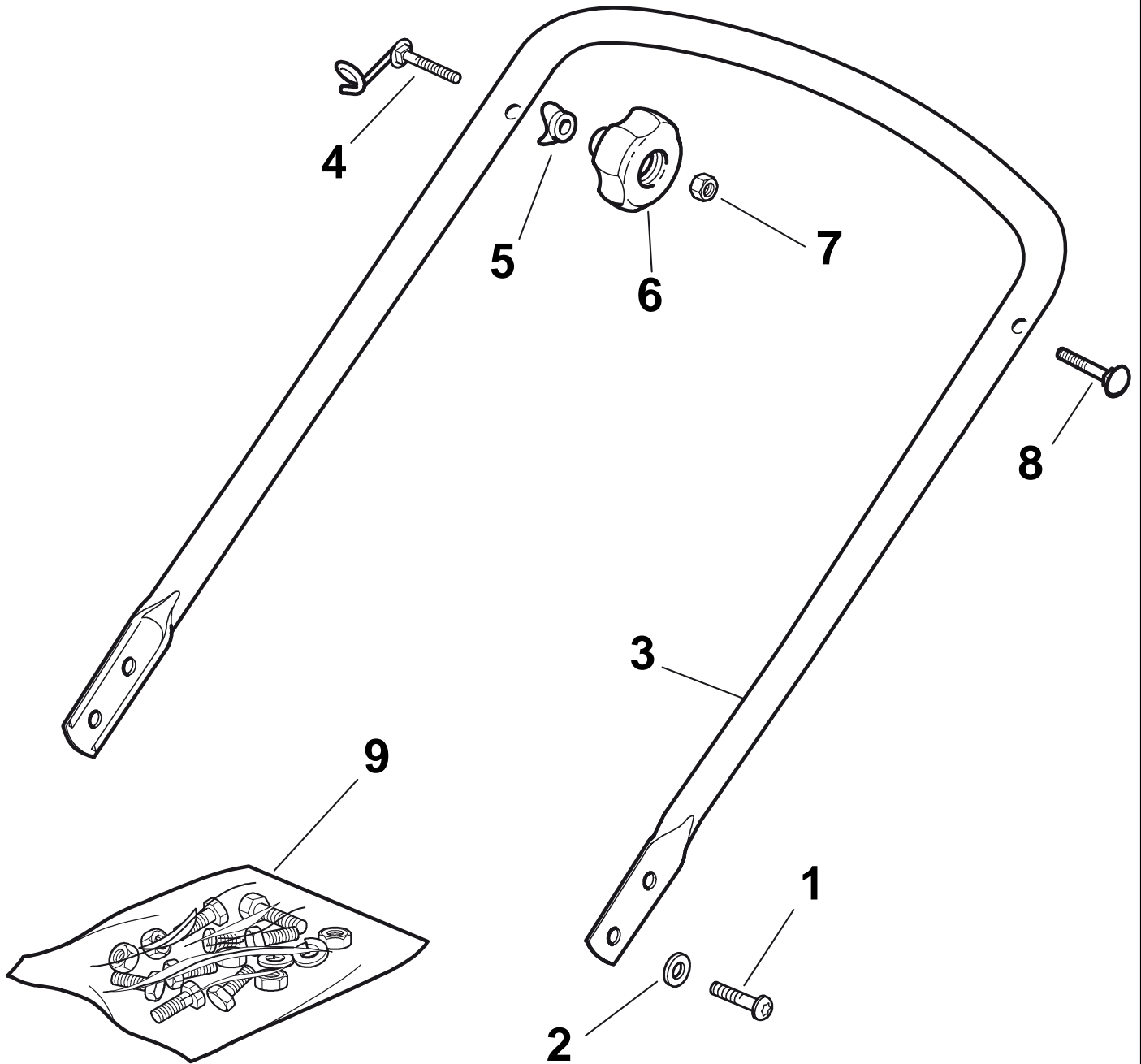




| Pos. | Part no. | Q.ty | Description | Description |
|------|-------------|------|------------------------|---------------------------|
| 1 | 81002538/0 | 1 | Châssis Rouge | Deck Red |
| 2 | 22131750/0 | 2 | Ecrou | Nut |
| 3 | 22735557/0 | 2 | Secteur Reglage | Sector, Height Adjustment |
| 4 | 81003306/0 | 2 | Levier Reglage Hauteur | Lever, Height Adjustment |
| 5 | 322600170/0 | 2 | Protection Roue | Protection, Wheel |
| 6 | 22524324/0 | 2 | Pivot | Pin |
| 7 | 12155000/0 | 2 | Ecrou | Nut |
| 8 | 25670011/0 | 2 | Rondelle | Washer |
| 13 | 22120109/0 | 2 | Couronne | Ring Gear |
| 14 | 12521370/0 | 2 | Rondelle | Washer |
| 21 | 22033365/0 | 1 | Axe Roues Arriere | Axle, Rear Wheels |
| 22 | 12530150/0 | 2 | Rondelle Elastique | Elastic Washer |

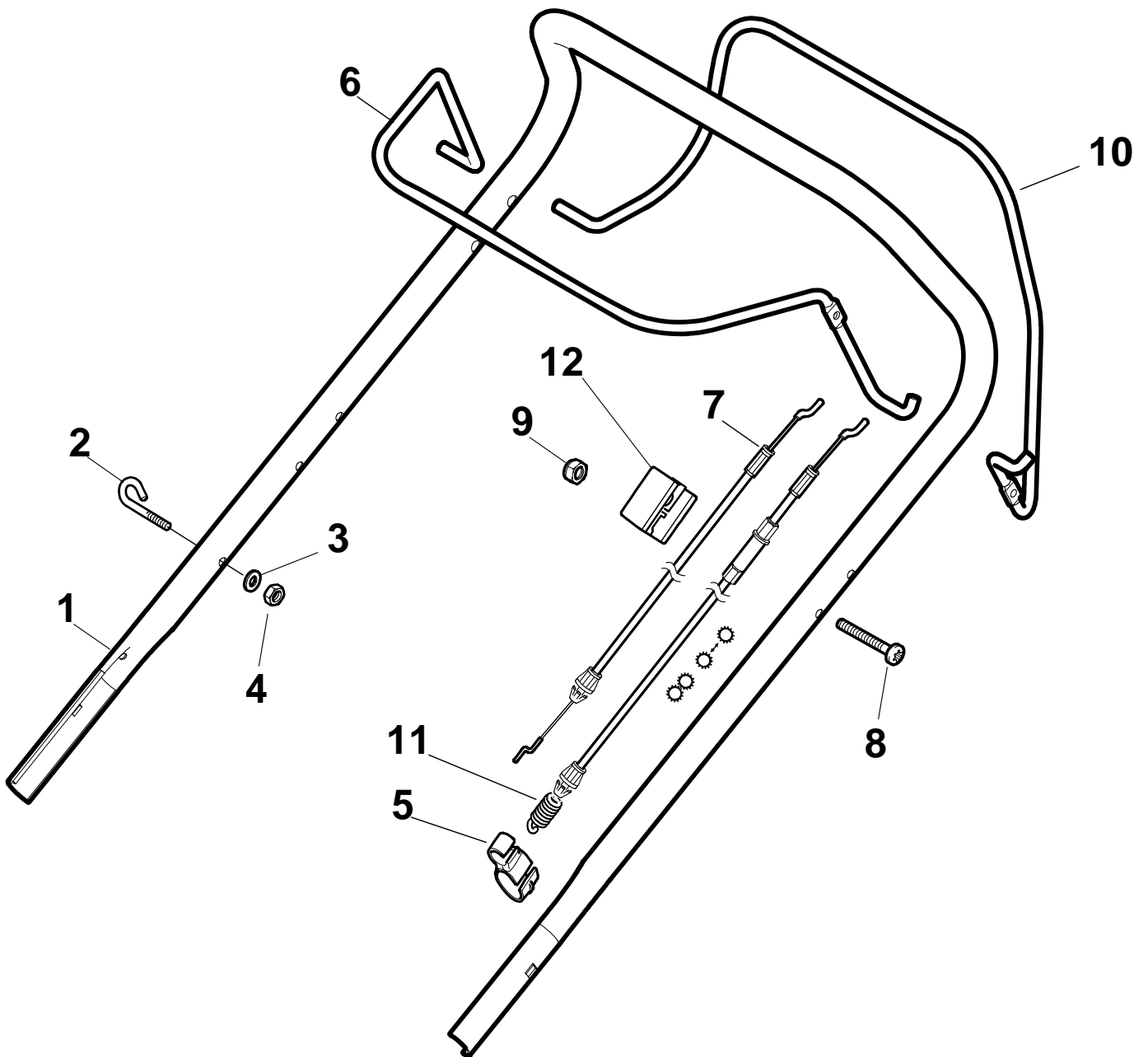


| Pos. | Part no. | Q.ty | Description | Description |
|------|-------------|------|----------------------|---------------------|
| 1 | 22108271/0 | 1 | Ens. Convoyeur Avant | Front Conveyor Assy |
| 2 | 12728686/0 | 6 | Vis | Screw |
| 5 | 22108272/2 | 1 | Ens. Convoyeur Post. | Rear Conveyor Assy |
| 6 | 322545189/0 | 4 | Plaque | Plate |
| 7 | 12728686/0 | 2 | Vis | Screw |
| 21 | 22060212/0 | 1 | Protection Courroie | Protection, Belt |
| 34 | 22140226/0 | 1 | Deflecteur | Deflector |



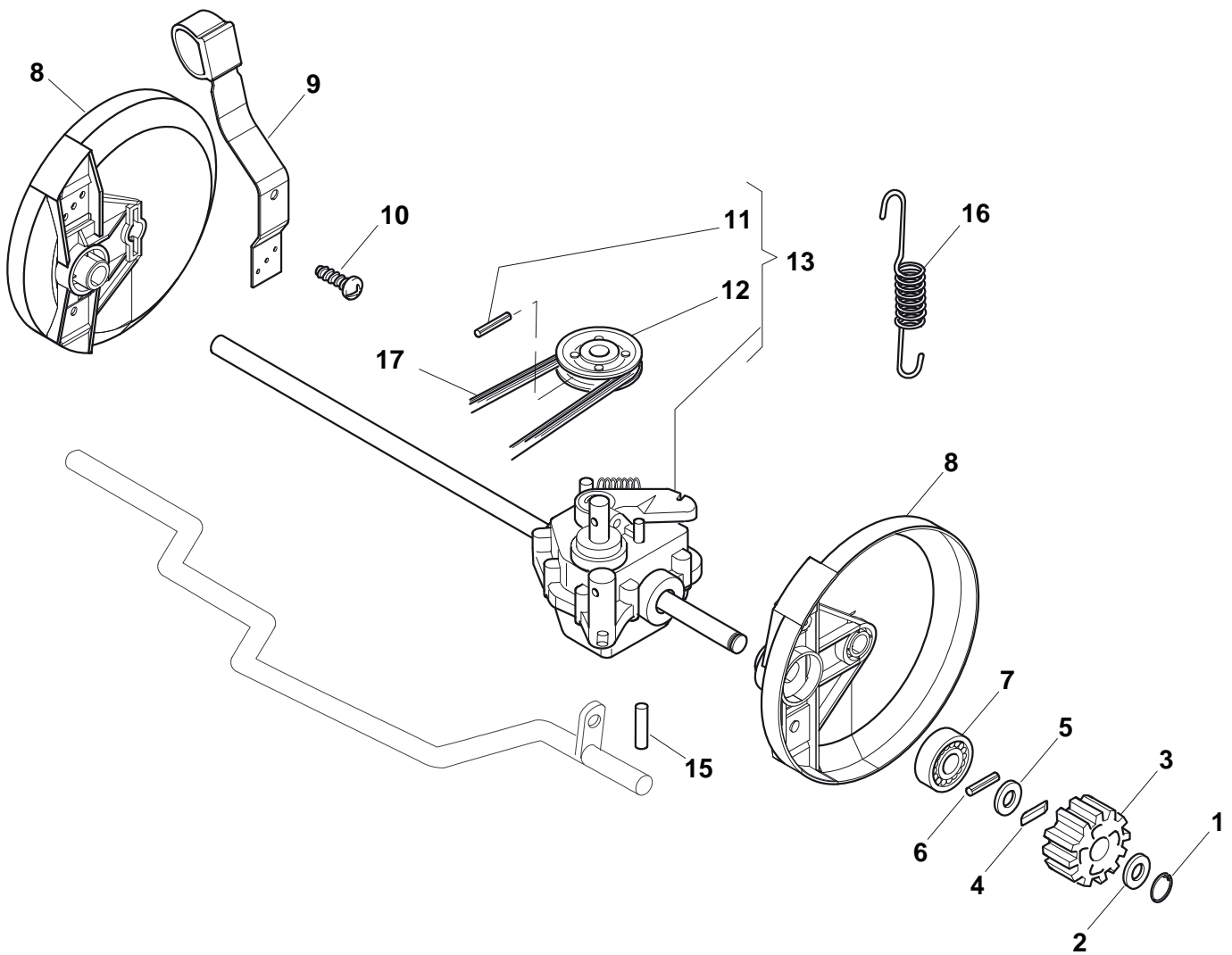
Mancheron, Partie Inferieure / Handle, Lower Part

| Pos. | Part no. | Q.ty | Description | Description |
|------|-------------|------|------------------------|--------------------|
| 1 | 12760605/0 | 4 | Vis | Screw |
| 2 | 12521350/0 | 4 | Vis | Screw |
| 3 | 81006570/0 | 1 | Mancheron, Partie Inf. | Handle, Lower Part |
| 4 | 81003801/1 | 1 | Ressort | Spring |
| 5 | 22680006/1 | 2 | Rondelle | Washer |
| 6 | 322399804/1 | 2 | Poignée | Knob |
| 7 | 12293200/0 | 2 | Ecrou | Nut |
| 8 | 12819201/0 | 1 | Vis | Screw |
| 9 | 81008648/1 | 1 | Dotation Visserie | Outfit, Screws |



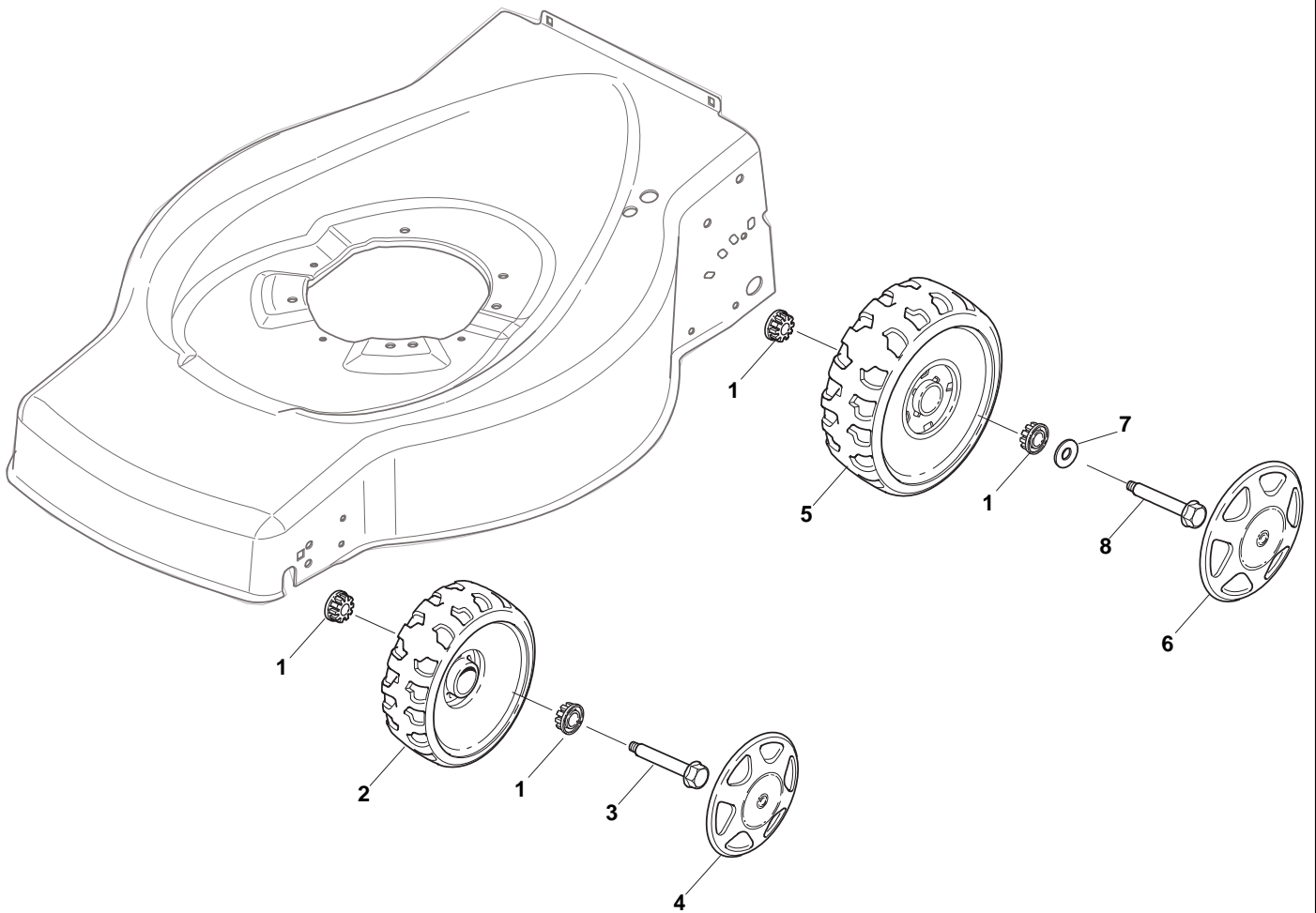
Mancheron, Partie Superieure / Handle, Upper Part

| Pos. | Part no. | Q.ty | Description | Description |
|------|-------------|------|--------------------------------------------------|-----------------------------------------|
| 1 | 381006739/0 | 1 | Mancheron, Partie Superieure | Handle, Upper Part |
| 1 | 381006745/0 | 1 | Mancheron, Partie Superieure avec éponge poignée | Handle, Upper Part with sponge handgrip |
| 2 | 22430313/0 | 1 | Ressort De Guide | Guide Spring |
| 3 | 12521330/0 | 1 | Rondelle | Washer |
| 4 | 12154510/0 | 1 | Ecrou | Nut |
| 5 | 118390020/0 | 1 | Fixation Cable | Fairlead |
| 6 | 181003363/1 | 1 | Levier Frein Moteur | Lever, Engine Brake |
| 7 | 181030053/0 | 1 | Cable Frein Moteur | Cable, Thread Engine Brake |
| 8 | 12727783/0 | 1 | Vis | Screw |
| 9 | 12154510/0 | 1 | Ecrou | Nut |
| 10 | 181003364/0 | 1 | Levier Traction | Lever, Driving |
| 11 | 381030051/0 | 1 | Câble, Commande Traction | Cable, Rear Drive |
| 12 | 22551640/0 | 1 | Plaque | Plate |

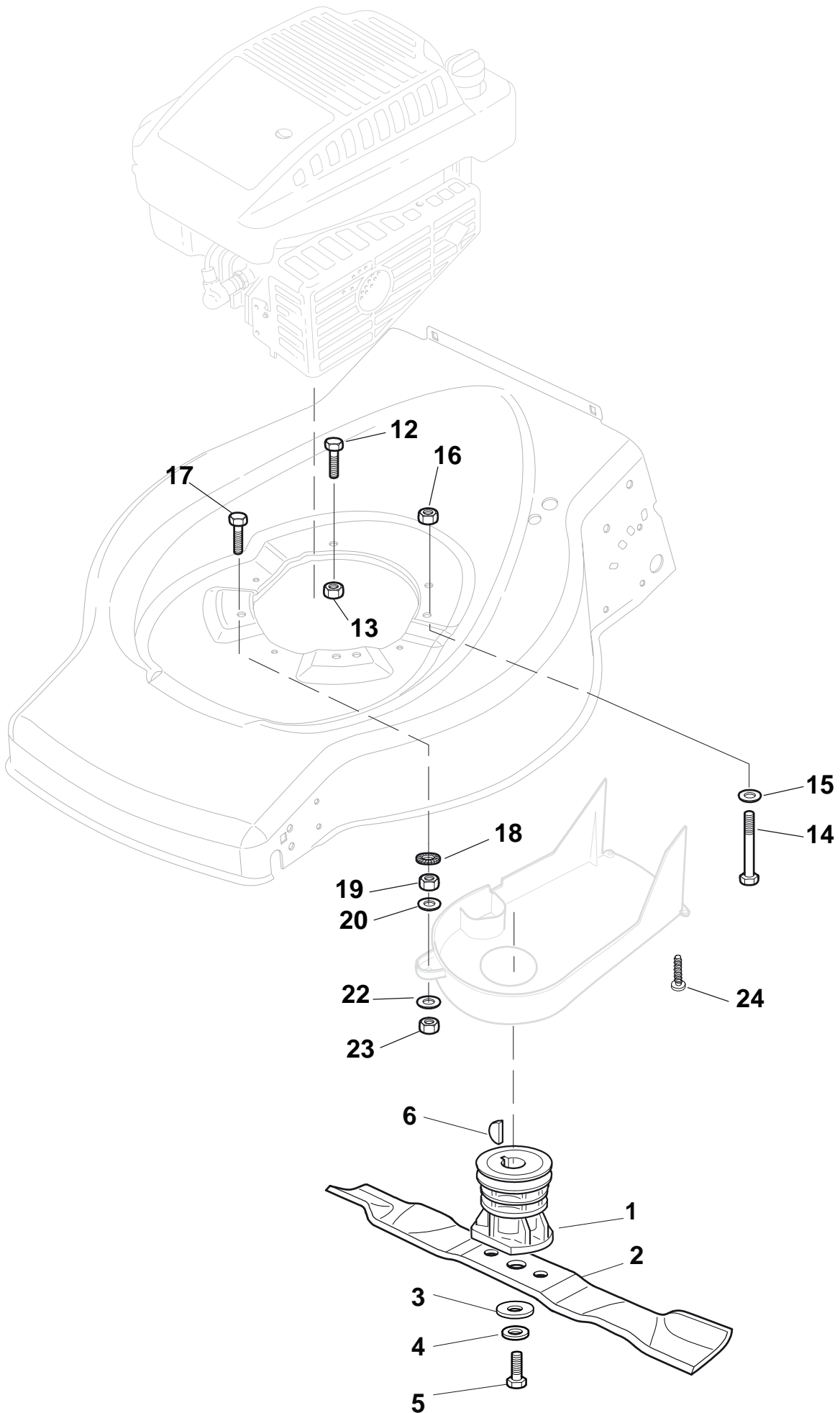


Groupe Traction**/ Rear Drive**

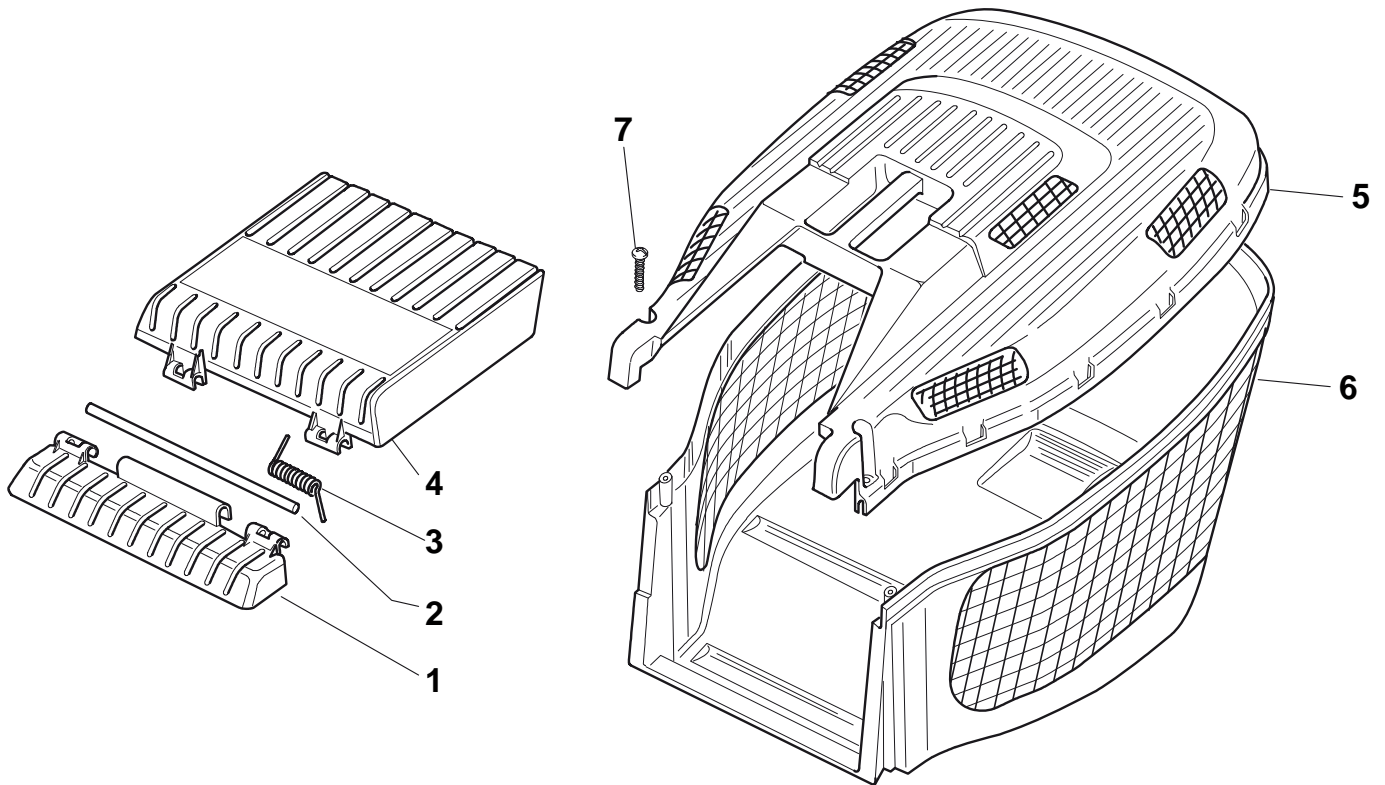
| Pos. | Part no. | Q.ty | Description | Description |
|------|-------------|------|------------------------|--------------------------|
| 1 | 12608520/0 | 2 | Seeger | Seeger |
| 2 | 22160520/0 | 2 | Protege-Poussiere | Dust Cover |
| 3 | 22570125/0 | 2 | Pignon | Pinion |
| 4 | 22076645/0 | 2 | Clef | Key |
| 5 | 22160520/0 | 2 | Protege-Poussiere | Dust Cover |
| 6 | 12622620/0 | 2 | Goupille | Pin |
| 7 | 22122202/0 | 2 | Entretoise | Spacer |
| 8 | 22600106/1 | 2 | Protection Roue | Protection, Wheel |
| 9 | 81003303/0 | 1 | Levier Reglage Hauteur | Lever, Height Adjustment |
| 10 | 12728689/0 | 2 | Vis | Screw |
| 11 | 12713801/0 | 1 | Grain | Dowel |
| 12 | 22601909/0 | 1 | Poulie | Pulley |
| 13 | 181003093/1 | 1 | Groupe Traction | Gear Box |
| 15 | 22753001/0 | 2 | Goupille | Pin |
| 16 | 22450438/0 | 1 | Ressort | Spring |
| 17 | 35063750/0 | 1 | Courroie | Belt |



| Pos. | Part no. | Q.ty | Description | Description |
|------|------------|------|-------------------|--------------|
| 1 | 22034508/0 | 8 | Douille | Bush |
| 2 | 22686091/1 | 2 | Roue Ø 165 | Wheel Ø 165 |
| 3 | 22524341/0 | 4 | Pivot | Pin |
| 4 | 22110395/0 | 2 | Couvre-Moyeu Gris | Hub Cap Grey |
| 5 | 22686092/0 | 2 | Roue Ø190 | Wheel Ø 190 |
| 6 | 22110314/0 | 2 | Couvre-Moyeu | Hub Cap |
| 7 | 12523050/0 | 2 | Rondelle | Washer |
| 8 | 12735599/0 | 2 | Vis | Screw |



| Pos. | Part no. | Q.ty | Description | Description |
|------|-------------|------|----------------------------------------|------------------------------------|
| 1 | 122465607/3 | 1 | Moyeu Avec Poulie, Arbre Moteur Ø 22.2 | Hub With Pulley, Crankshaft Ø 22.2 |
| 2 | 81004365/3 | 1 | Lame | Blade |
| 3 | 22160400/0 | 1 | Rondelle Elastique | Elastic Washer |
| 4 | 12523080/0 | 1 | Rondelle | Washer |
| 5 | 12735698/0 | 1 | Vis | Screw |
| 6 | 12139100/0 | 1 | Clavette, Arbre Moteur Ø 22.2 | Feather, Crankshaft Ø 22.2 |
| 12 | 12793701/0 | 2 | Vis | Screw |
| 13 | 12293201/0 | 2 | Ecrou | Nut |
| 14 | 12691800/0 | 1 | Vis | Screw |
| 15 | 12521350/0 | 1 | Vis | Screw |
| 16 | 12155000/0 | 1 | Ecrou | Nut |
| 17 | 12775000/0 | 1 | Vis | Screw |
| 18 | 12540060/0 | 1 | Rondelle | Washer |
| 19 | 12293200/0 | 1 | Ecrou | Nut |
| 20 | 22671651/0 | 1 | Rondelle | Washer |
| 22 | 25670011/0 | 1 | Rondelle | Washer |
| 23 | 12155000/0 | 1 | Ecrou | Nut |
| 24 | 12728686/0 | 2 | Vis | Screw |



Sac De Ramassage D'Herbe / Grass-Catcher

| Pos. | Part no. | Q.ty | Description | Description |
|------|-------------|------|------------------------|---------------------|
| 1 | 22785136/1 | 1 | Support | Support |
| 2 | 22517858/0 | 1 | Pivot | Pin |
| 3 | 22450431/0 | 1 | Ressort | Spring |
| 4 | 322600099/1 | 1 | Pare-Pierres | Stone-Guard |
| 5 | 22486122/0 | 1 | Sac, Partie Superieure | Grassbox Upper Part |
| 6 | 22486128/0 | 1 | Sac, Partie Inferieure | Grassbox Lower Part |
| 7 | 12728686/0 | 2 | Vis | Screw |