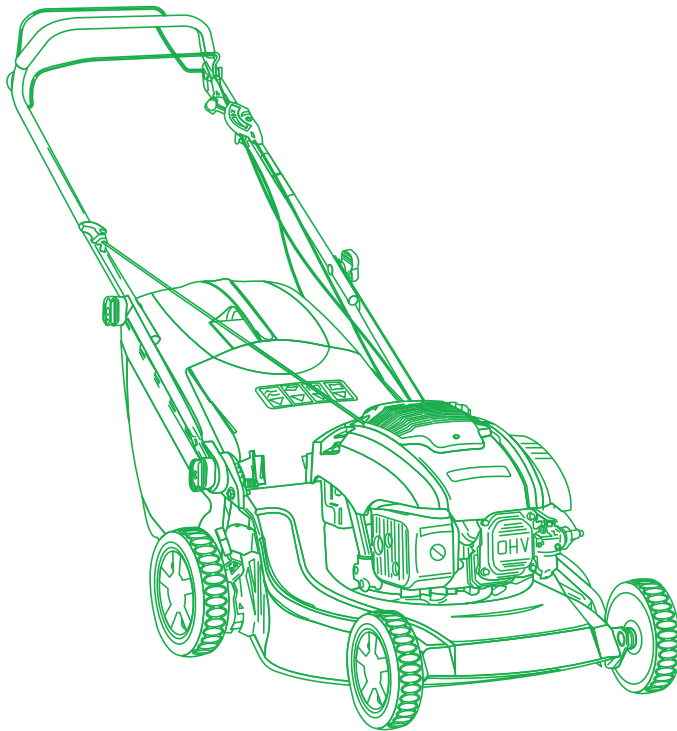


ILLUSTRATED PARTS LIST

ESL 534 TR

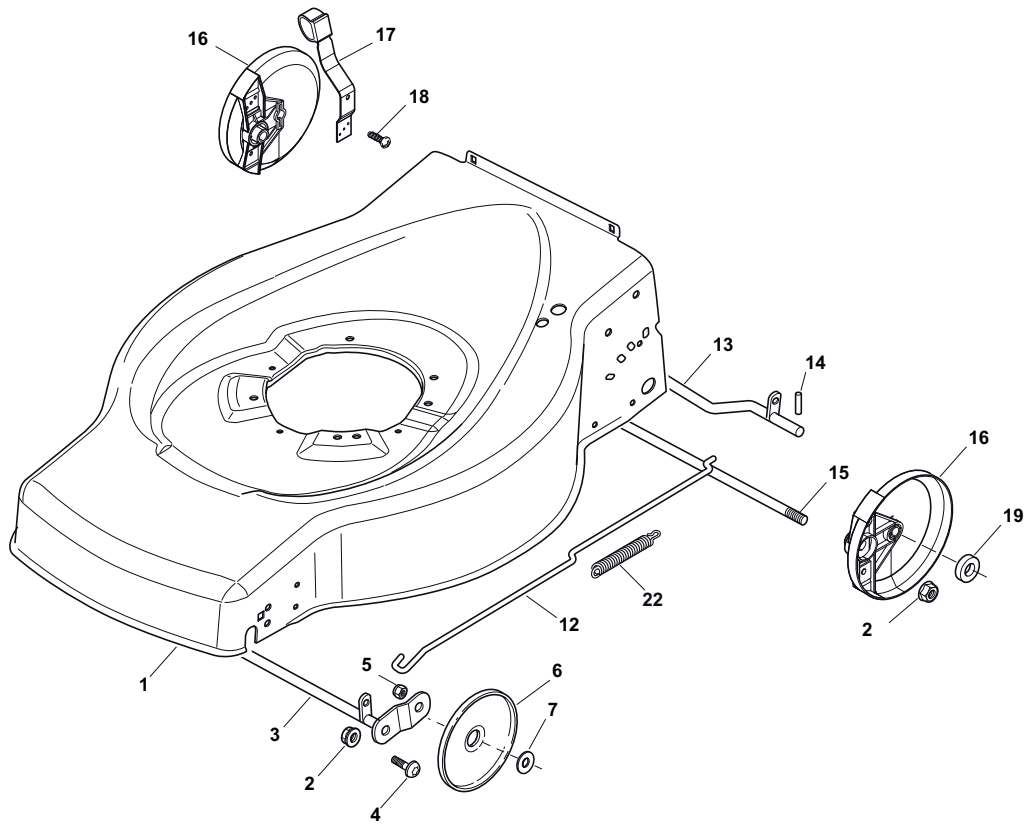


- Use GLOBAL GARDEN PRODUCT Genuine Spare Parts specified in the parts list for repair and/or replacement.
- The contents described in the parts list may change due to improvement.
- The drawings of the spare parts are only indicative and might not represent the part in question exactly.
- The indications "right" - "left" - "front" - "rear" refer to the position of the operator when using the machine.
- When placing orders of parts for repair and/or replacement, make sure that the illustrated parts list is the one applying to the machine's year of manufacture, as shown on the identification plate attached to the machine.

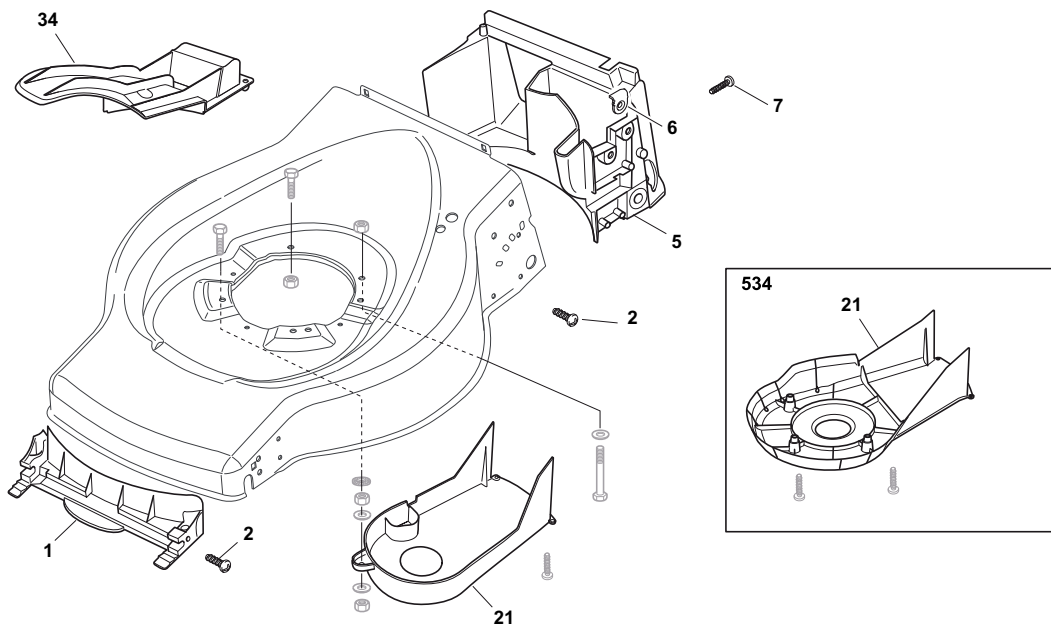
© Copyright 2012 Global Garden Products

All content is subject to copyright by Global Garden Products and may not be reproduced in whole or in part by any means, electronic or otherwise, without prior written approval.

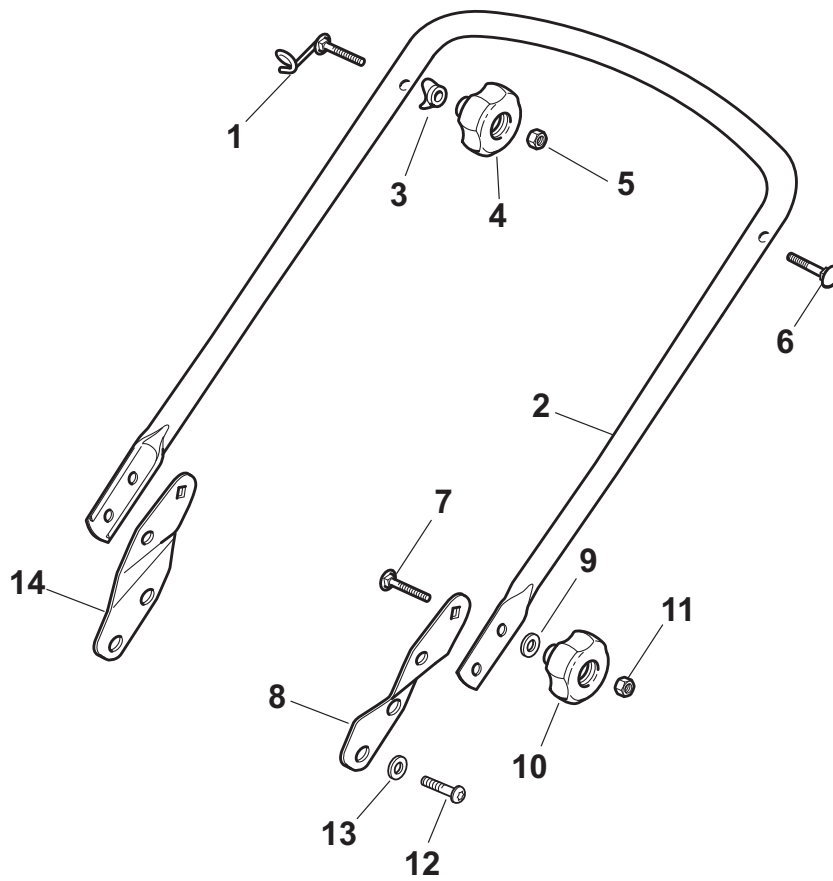
THIS INFORMATION IS NOT INTENDED FOR SALE OR RESALE, AND THIS NOTICE MUST REMAIN ON ALL COPIES.



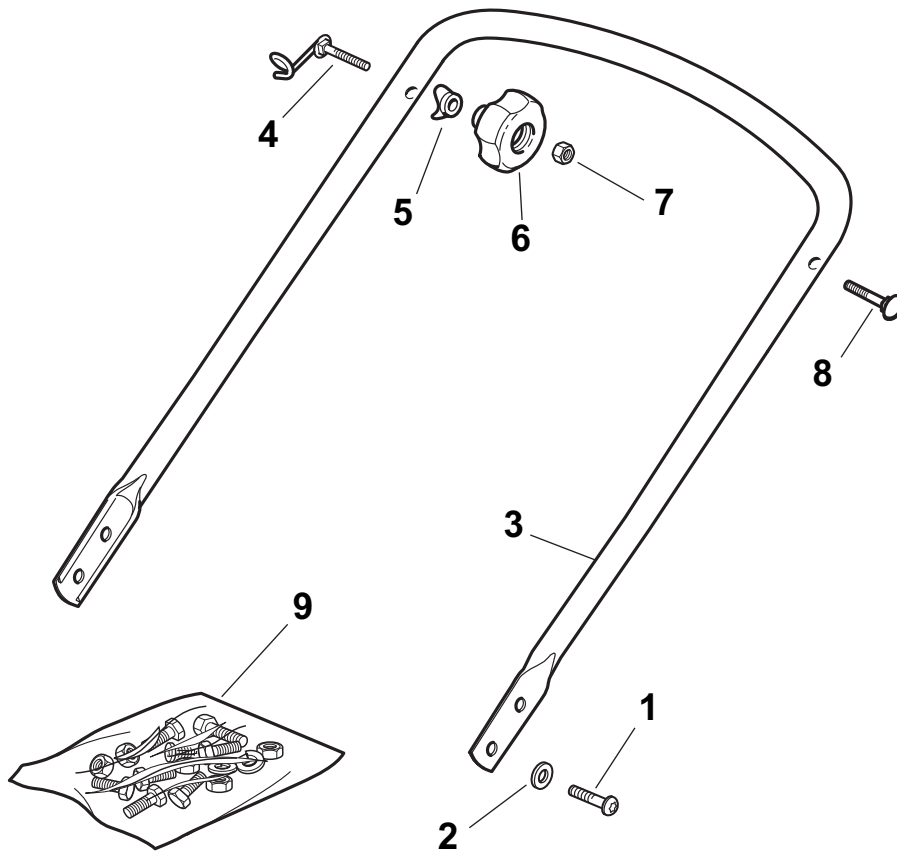
POS	PART. NO	Q.ty	DESCRIPTION	DESCRIZIONE	DESCRIPTION	BESCHREIBUNG	REMARKS
1	381003703/0	1	Deck Red	Chassis Rosso	Châssis Rouge	Gehäuse Rot	
2	12155000/0	2	Nut	Dado	Ecrou	Mutter	
3	81000153/0	1	Axle, Front Wheels	Asse Ruote Anteriore	Axe Roues Avant	Achse, Vorderrad	
4	12760600/0	2	Screw	Vite	Vis	Schraube	
5	22131750/0	2	Nut	Dado	Ecrou	Mutter	
6	22600095/0	2	Protection	Protezione	Protection	Schutz	
7	22671651/0	2	Washer	Rosetta	Rondelle	Scheibe	
12	122033319/0	1	Adjustment Rod	Asta Regolazione	Tige Reglage	Verstellungstange	
13	22033393/0	2	Axle, Rear Wheels	Asse Ruote Posteriore	Axe Roues Arriere	Achse, Hinterrad	
14	22753001/0	2	Pin	Spina	Goupille	Stift	
15	22033364/0	2	Axle, Rear Wheels	Asse Ruote Posteriori	Axe Roues Arriere	Achse, Hinterrad	
16	22600106/1	2	Protection, Wheel	Prot. Ruote	Protection Roue	Schütz, Räder	
17	81003303/0	1	Lever, Height Adjustment	Leva Regolazione Altezza	Levier Reglage Hauteur	Hebel, Höneverstellung	
18	12728689/0	2	Screw	Vite	Vis	Schraube	
19	22122202/0	4	Bearing	Cuscinetto	Coussinet	Lager	
22	122446186/0	1	Spring	Molla	Ressort	Feder	



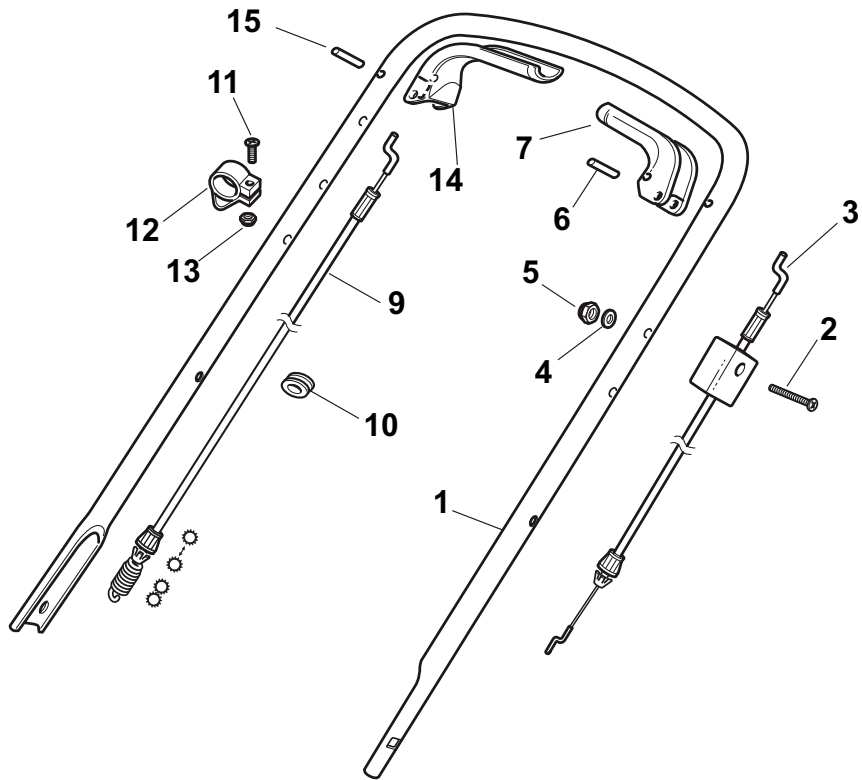
POS	PART. NO	Q.ty	DESCRIPTION	DESCRIZIONE	DESCRIPTION	BESCHREIBUNG	REMARKS
1	22108271/0	1	Front Conveyor Assy	Convogl. Anteriore	Ens. Convoyeur Avant	Hinterleitblechvorder	
2	12728686/0	6	Screw	Vite	Vis	Schraube	
5	22108272/2	1	Rear Conveyor Assy	Convogl. Posteriore	Ens. Convoyeur Post.	Hinterleitblechsatz	
6	322545189/0	4	Plate	Piastrina	Plaquette	Plättchen	
7	12728686/0	2	Screw	Vite	Vis	Schraube	
21	322060222/0	1	Protection, Belt	Carter Cinghia	Protection Courroie	Schutz, Riemen	
34	322140233/0	1	Deflector	Deflettore	Deflecteur	Deflektor	



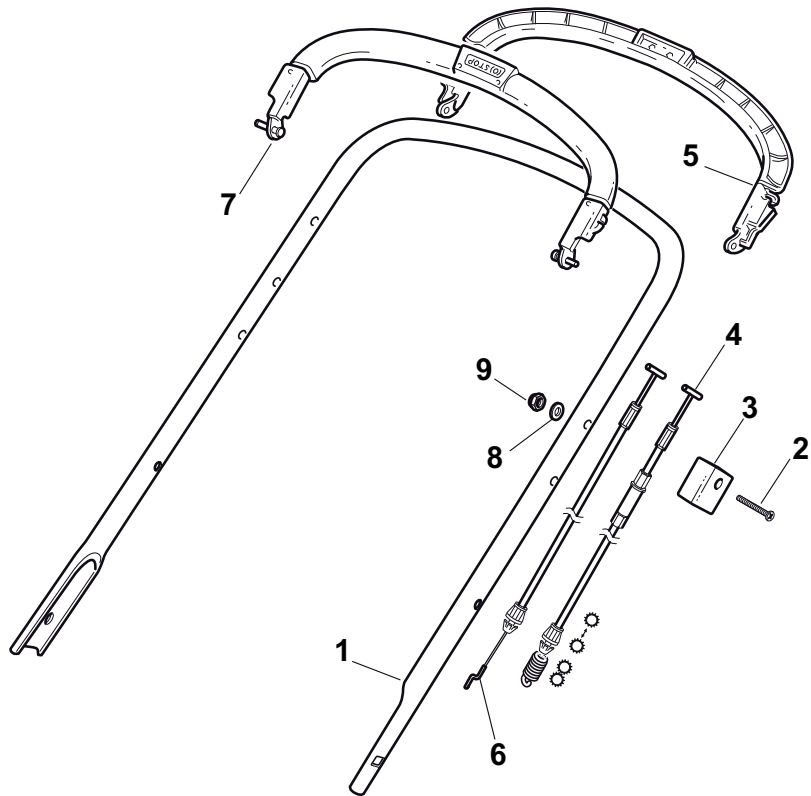
POS	PART. NO	Q.ty	DESCRIPTION	DESCRIZIONE	DESCRIPTION	BESCHREIBUNG	REMARKS
1	81003801/1	1	Guide Spring	Molla Guida	Ressort De Guide	Feder Führer	
2	381006687/0	1	Handle, Lower Part	Manico, Parte Inf	Mancheron, Partie Inf.	Holm, Unterteil	
3	22680006/1	2	Washer	Rosetta	Rondelle	Scheibe	
4	322399804/1	2	Knob	Manopolina	Poignée	Griff	
5	12293200/0	2	Nut	Dado	Ecrou	Mutter	
6	12819201/0	1	Screw	Vite	Vis	Schraube	
7	12818900/0	2	Screw	Vite	Vis	Schraube	
8	22778425/0	1	Bracket, L	Staffa Sx	Bride G	Pratze, Linke	
9	22671653/0	2	Washer	Rosetta	Rondelle	Scheibe	
10	322399804/1	2	Knob	Manopolina	Poignée	Griff	
11	12293200/0	2	Nut	Dado	Ecrou	Mutter	
12	12760605/0	4	Screw	Vite	Vis	Schraube	
13	12521350/0	4	Washer	Rosetta	Rondelle	Scheibe	
14	22778423/0	1	Bracket, R	Staffa Dx	Bride D	Pratze, Rechte	



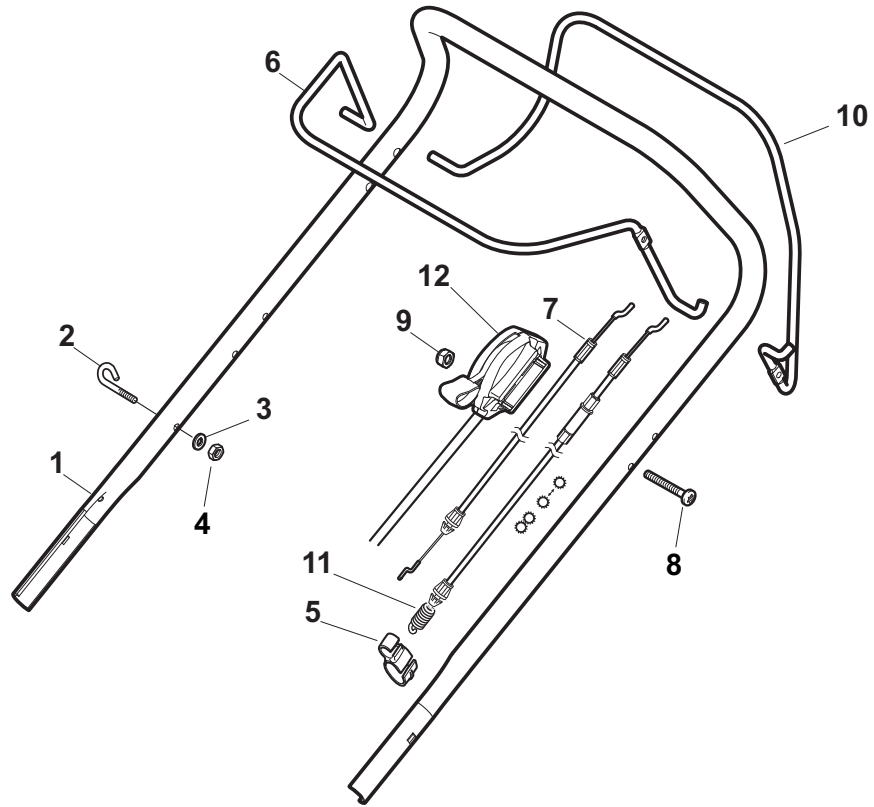
POS	PART. NO	Q.ty	DESCRIPTION	DESCRIZIONE	DESCRIPTION	BESCHREIBUNG	REMARKS
1	12760605/0	4	Screw	Vite	Vis	Schraube	
2	12521350/0	4	Washer	Rosetta	Rondelle	Scheibe	
3	381006686/0	1	Handle, Lower Part	Manico, Parte Inf	Mancheron, Partie Inf.	Holm, Unterteil	
4	81003801/1	1	Guide Spring	Molla Guida	Ressort De Guide	Feder Führer	
5	22680006/1	2	Washer	Rosetta	Rondelle	Scheibe	
6	322399804/1	2	Knob	Manopolina	Poignée	Griff	
7	12293200/0	2	Nut	Dado	Ecrou	Mutter	
8	12819201/0	1	Screw	Vite	Vis	Schraube	
9	81008648/1	1	Outfit, Screws	Dotazione Viteria	Dotation Visserie	Satz, Schrauben	



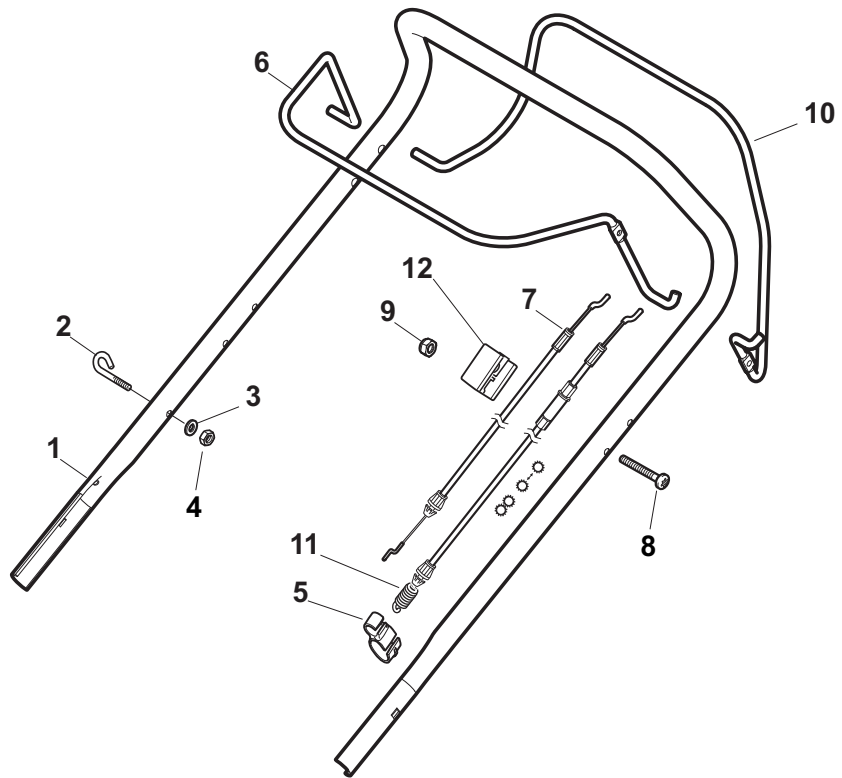
POS	PART. NO	Q.ty	DESCRIPTION	DESCRIZIONE	DESCRIPTION	BESCHREIBUNG	REMARKS
1	81006577/0	1	Handle, Upper Part	Manico, Parte Sup	Mancheron, Partie Sup.	Holm, Oberteil	
2	12674700/0	1	Screw	Vite	Vis	Schraube	
3	181030003/0	1	Cable, Thread Eng. Brake	Cavo Freno Motore	Cable Frein Moteur	Kabel, Motorbremse	B&S 450-500
3	181030005/0	1	Cable, Thread Eng. Brake	Cavo Freno Motore	Cable Frein Moteur	Kabel, Motorbremse	GGP 150cc
3	181030004/0	1	Cable, Thread Eng. Brake	Cavo Freno Motore	Cable Frein Moteur	Kabel, Motorbremse	B&S 625-675
3	181030004/0	1	Cable, Thread Eng. Brake	Cavo Freno Motore	Cable Frein Moteur	Kabel, Motorbremse	Honda - GGP
4	12521330/0	1	Washer	Rosetta	Rondelle	Scheibe	
5	12292100/0	1	Nut	Dado	Ecrou	Mutter	
6	12645710/0	1	Pin	Spina	Goupille	Stift	
7	322321700/1	1	Lever, Eng. Brake	Leva Freno Motore	Levier Frein Moteur	Hebel, Motorbremse	
9	81000654/0	1	Cable, Rear Drive	Cavo Comando Trazione	Câble, Comm. Traction	Kabel, Antrieb	
10	18564520/1	1	Fair Lead	Passacavo	Passe Cable	Kabeldurchgang	
11	12769616/0	1	Screw	Vite	Vis	Schraube	
12	22806521/0	1	Clamp	Fascetta	Collier	Bowdenzughalter	
13	12292100/0	1	Nut	Dado	Ecrou	Mutter	
14	22321701/0	1	Driving Lever	Leva Trazione	Levier Traction	Antriebhebel	
15	12645710/0	1	Pin	Spina	Goupille	Stift	



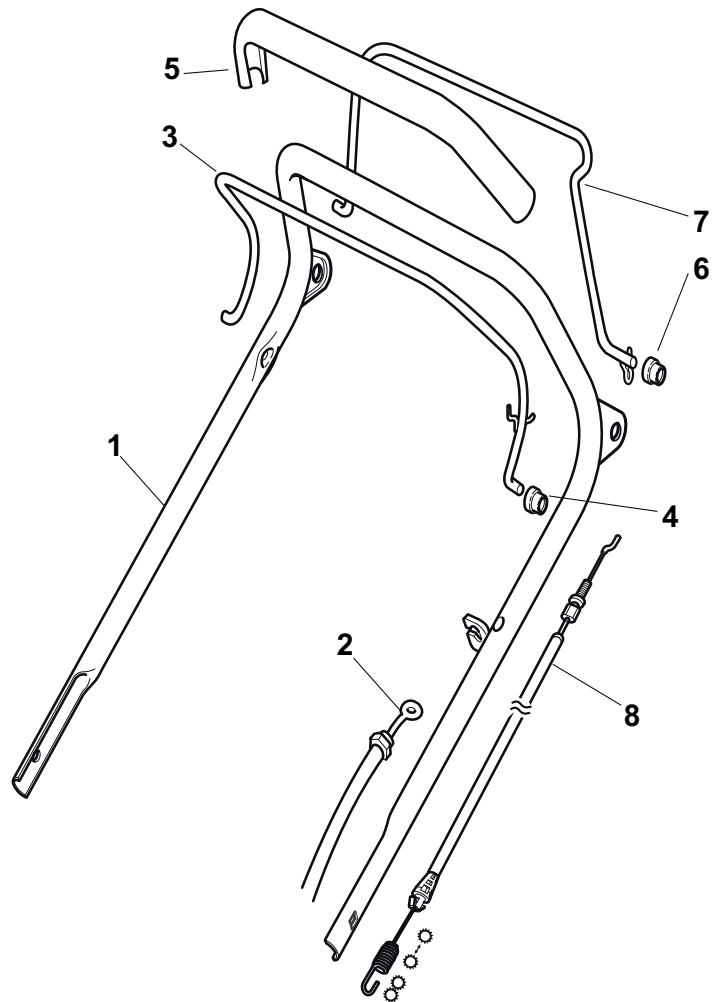
POS	PART. NO	Q.ty	DESCRIPTION	DESCRIZIONE	DESCRIPTION	BESCHREIBUNG	REMARKS
1	381006579/1	1	Handle, Upper Part	Manico, Parte Sup	Mancheron, Partie Sup.	Holm, Oberteil	
2	12689500/0	1	Screw	Vite	Vis	Schraube	
3	22551640/0	1	Plate	Piastrina	Plaquette	Plättchen	
4	81000659/0	1	Cable, Rear Drive	Cavo Comando Trazione	Câble, Comm. Traction	Kabel, Antrieb	
5	81003297/1	1	Driving Lever	Leva Trazione	Levier Traction	Antriebhebel	
6	181030000/0	1	Cable, Thread Eng. Brake	Cavo Freno Motore	Cable Frein Moteur	Kabel, Motorbremse	GGP 150cc
6	181030001/0	1	Cable, Thread Eng. Brake	Cavo Freno Motore	Cable Frein Moteur	Kabel, Motorbremse	B&S-Honda
6	181030001/0	1	Cable, Thread Eng. Brake	Cavo Freno Motore	Cable Frein Moteur	Kabel, Motorbremse	GGP
7	381003330/0	1	Lever, Engine Brake	Leva Freno Motore	Levier Frein Moteur	Hebel, Motorbremse	
8	12521330/0	1	Washer	Rosetta	Rondelle	Scheibe	
9	12292100/0	1	Nut	Dado	Ecrou	Mutter	



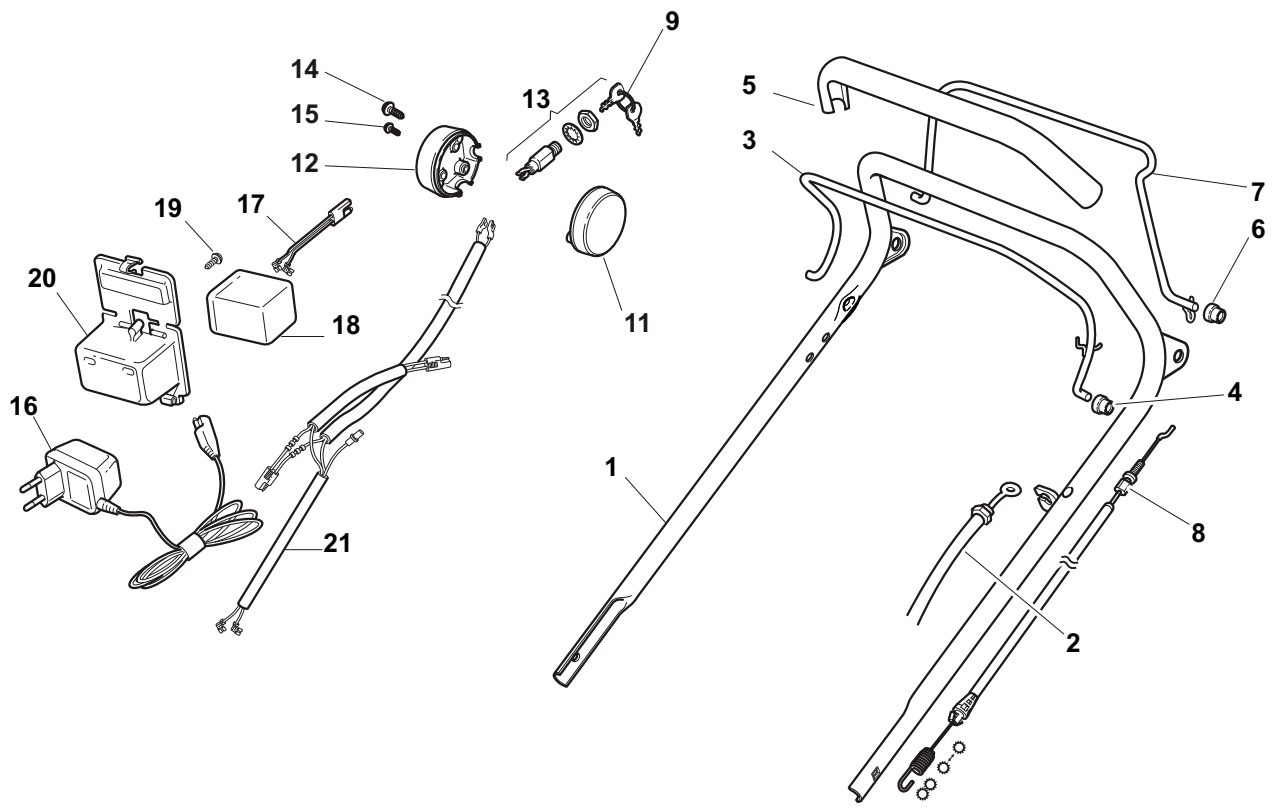
POS	PART. NO	Q.ty	DESCRIPTION	DESCRIZIONE	DESCRIPTION	BESCHREIBUNG	REMARKS
1	381006739/0	1	Handle, Upper Part	Manico, Parte Sup	Mancheron, Partie Superieure	Holm, Oberteil	
1	381006745/0	1	Handle, Upper Part with sponge handgrip	Manico, Parte Sup. con impugantura in spugna	Mancheron, Partie Superieure avec éponge poignée	Holm, Oberteil Handgriff Schwamm	
2	22430313/0	1	Guide Spring	Molla Guida	Ressort De Guide	Feder Führer	
3	12521330/0	1	Washer	Rosetta	Rondelle	Scheibe	
4	12154510/0	1	Nut	Dado	Ecrou	Mutter	
5	118390020/0	1	Fairlead	Fermacavo	Fixation Cable	Kabelbefestigung	
6	181003363/1	1	Lever, Engine Brake	Leva Freno Motore	Levier Frein Moteur	Hebel, Motorbremse,	Black
6	381003365/0	1	Lever, Engine Brake	Leva Freno Motore	Levier Frein Moteur	Hebel, Motorbremse	Yellow
6	381003376/0	1	Lever, Engine Brake	Leva Freno Motore	Levier Frein Moteur	Hebel, Motorbremse	Red
7	181030057/0	1	Cable, Thread Eng. Brake	Cavo Freno Motore	Cable Frein Moteur	Kabel, Motorbremse	Honda-B&S
7	181030087/0	1	Cable, Thread Eng. Brake	Cavo Freno Motore	Cable Frein Moteur	Kabel, Motorbremse	GGP 100cc
8	12727783/0	1	Screw	Vite	Vis	Schraube	
9	12154510/0	1	Nut	Dado	Ecrou	Mutter	
10	181003364/0	1	Lever, Driving	Leva Trazione	Levier Traction	Hebel, Antrieb	Black
10	381003366/0	1	Lever, Driving	Leva Trazione	Levier Traction	Hebel, Antrieb	Yellow
10	381003377/0	1	Lever, Driving	Leva Trazione	Levier Traction	Hebel, Antrieb	Red
11	381030082/0	1	Cable, Rear Drive	Cavo Comando Trazione	Câble, Commande Traction	Kabel, Antrieb	
12	181005508/0	1	Throttle Cable	Cavo Acceleratore	Cable, Accelérateur	Gashebel Kabel	B&S
12	181005509/0	1	Throttle Cable	Cavo Acceleratore	Cable, Accelérateur	Gashebel Kabel	GGP-Honda
12	181005519/0	1	Throttle Cable	Cavo Acceleratore	Cable, Accelérateur	Gashebel Kabel	GGP 150cc



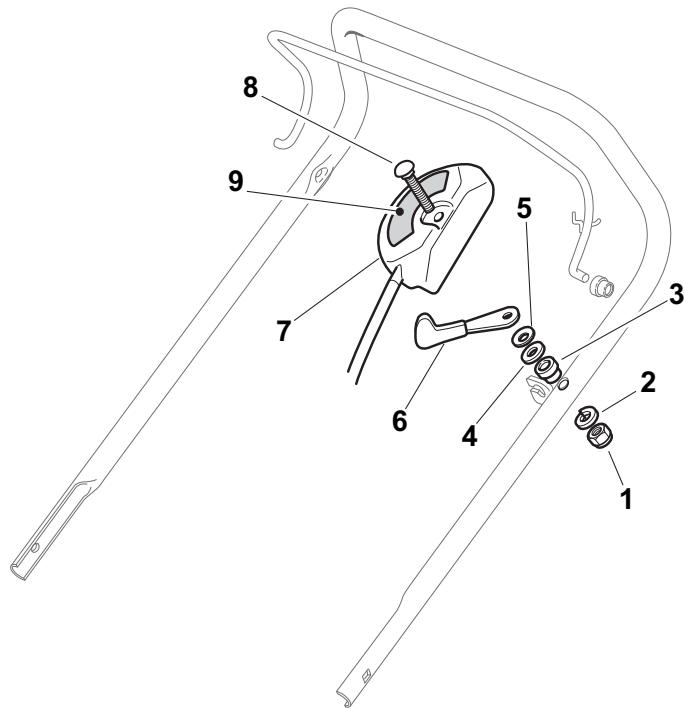
POS	PART. NO	Q.ty	DESCRIPTION	DESCRIZIONE	DESCRIPTION	BESCHREIBUNG	REMARKS
1	381006739/0	1	Handle, Upper Part	Manico, Parte Sup	Mancheron, Partie Superieure	Holm, Oberteil	
1	381006745/0	1	Handle, Upper Part with sponge handgrip	Manico, Parte Sup. con impugantura in spugna	Mancheron, Partie Superieure avec éponge poignée	Holm, Oberteil Handgriff Schwamm	
2	22430313/0	1	Guide Spring	Molla Guida	Ressort De Guide	Feder Führer	
3	12521330/0	1	Washer	Rosetta	Rondelle	Scheibe	
4	12154510/0	1	Nut	Dado	Ecrou	Mutter	
5	118390020/0	1	Fairlead	Fermacavo	Fixation Cable	Kabelbefestigung	
6	181003363/1	1	Lever, Engine Brake	Leva Freno Motore	Levier Frein Moteur	Hebel, Motorbremse,	Black
6	381003365/0	1	Lever, Engine Brake	Leva Freno Motore	Levier Frein Moteur	Hebel, Motorbremse	Yellow
6	381003376/0	1	Lever, Engine Brake	Leva Freno Motore	Levier Frein Moteur	Hebel, Motorbremse	Red
7	181030057/0	1	Cable, Thread Eng. Brake	Cavo Freno Motore	Cable Frein Moteur	Kabel, Motorbremse	Honda-B&S
7	181030087/0	1	Cable, Thread Eng. Brake	Cavo Freno Motore	Cable Frein Moteur	Kabel, Motorbremse	GGP 100cc
8	12727783/0	1	Screw	Vite	Vis	Schraube	
9	12154510/0	1	Nut	Dado	Ecrou	Mutter	
10	181003364/0	1	Lever, Driving	Leva Trazione	Levier Traction	Hebel, Antrieb	Black
10	381003366/0	1	Lever, Driving	Leva Trazione	Levier Traction	Hebel, Antrieb	Yellow
10	381003377/0	1	Lever, Driving	Leva Trazione	Levier Traction	Hebel, Antrieb	Red
11	381030051/0	1	Cable, Rear Drive	Cavo Comando Trazione	Câble, Commande Traction	Kabel, Antrieb	
12	22551640/0	1	Plate	Piastrina	Plaquette	Plättchen	



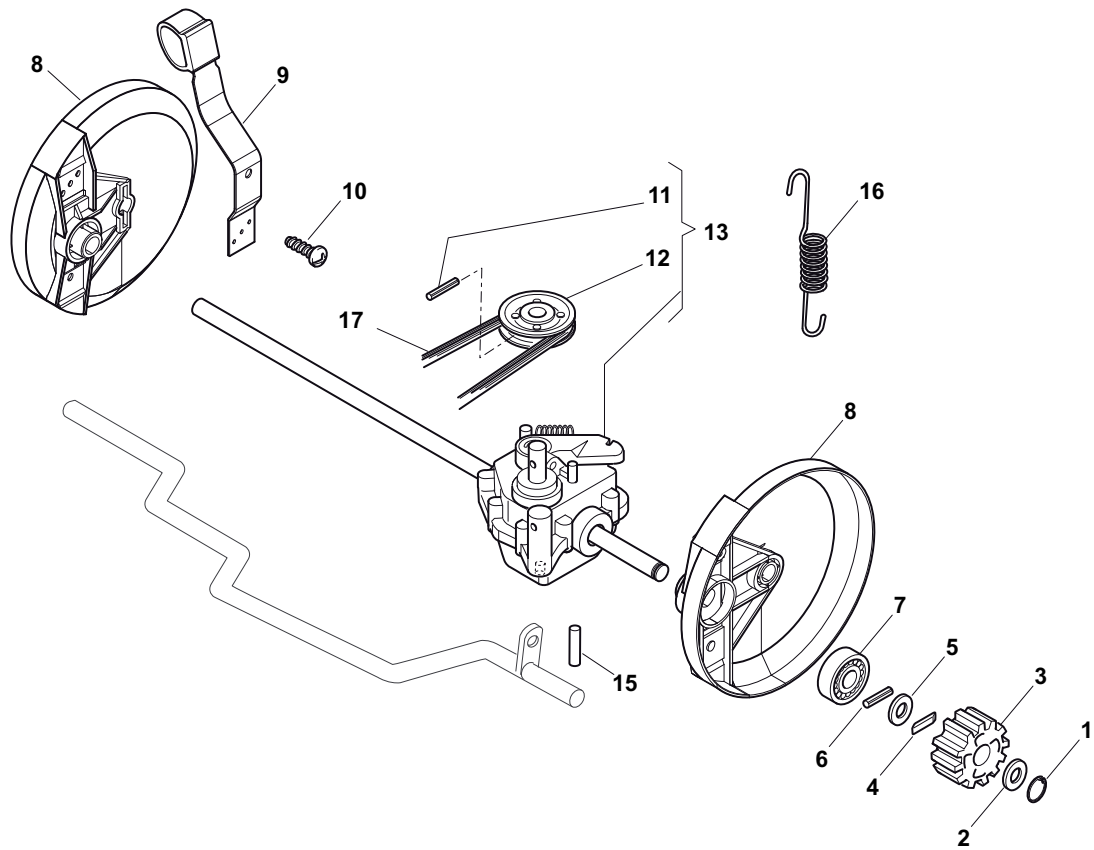
POS	PART. NO	Q.ty	DESCRIPTION	DESCRIZIONE	DESCRIPTION	BESCHREIBUNG	REMARKS
1	81007024/0	1	Handle, Upper Part	Manico, Parte Sup	Mancheron, Partie Superieure	Holm, Oberteil	
2	181000761/0	1	Cable, Thread Engine Brake	Cavo Freno Motore	Cable Frein Moteur	Kabel, Motorbremse	Honda
2	81000760/0	1	Cable, Thread Engine Brake	Cavo Freno Motore	Cable Frein Moteur	Kabel, Motorbremse	GGP
2	181000761/0	1	Cable, Thread Engine Brake	Cavo Freno Motore	Cable Frein Moteur	Kabel, Motorbremse	B&S 450-500
2	81000760/0	1	Cable, Thread Engine Brake	Cavo Freno Motore	Cable Frein Moteur	Kabel, Motorbremse	B&S 625-675
3	81003291/3	1	Lever, Engine Brake	Leva Freno Motore	Levier Frein Moteur	Hebel, Motorbremse	
4	22041966/0	2	Bush	Bussola	Douille	Buchse	
5	22291050/0	1	Handgrip Black	Impugnatura Manico Nera	Poignée Noire	Handgriff Schwarz	
6	22041965/1	2	Bush	Bussola	Douille	Buchse	
7	81003288/1	1	Lever, Driving	Leva Trazione	Levier Traction	Hebel, Antrieb	
8	381000778/0	1	Cable, Rear Drive	Cavo Comando Trazione	Câble, Comma. Traction	Kabel, Antrieb	



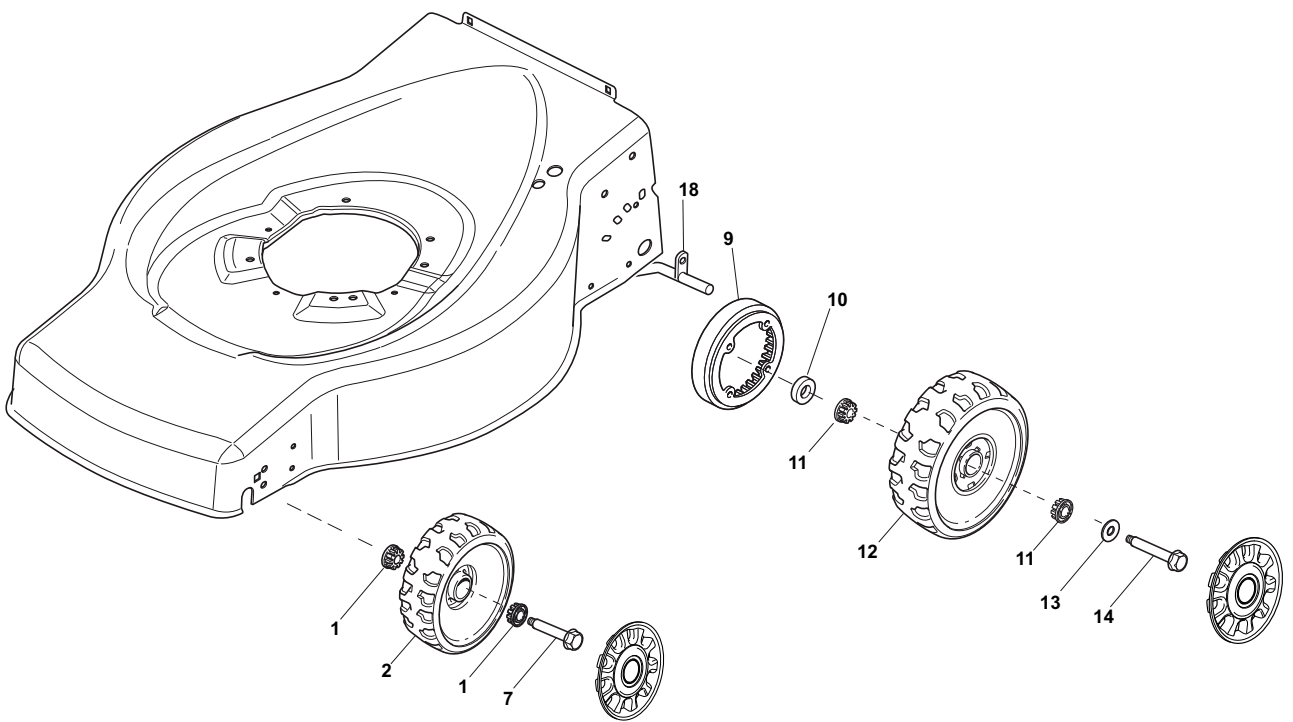
POS	PART. NO	Q.ty	DESCRIPTION	DESCRIZIONE	DESCRIPTION	BESCHREIBUNG	REMARKS
1	81006863/0	1	Handle, Upper Part	Manico, Parte Sup	Mancheron, Partie Sup.	Holm, Oberteil	
2	181000761/0	1	Cable, Thread Engine Brake	Cavo Freno Motore	Cable Frein Moteur	Kabel, Motorbremse	Honda
2	181000761/0	1	Cable, Thread Engine Brake	Cavo Freno Motore	Cable Frein Moteur	Kabel, Motorbremse	B&S 450-500
2	81000760/0	1	Cable, Thread Engine Brake	Cavo Freno Motore	Cable Frein Moteur	Kabel, Motorbremse	GGP
2	81000760/0	1	Cable, Thread Engine Brake	Cavo Freno Motore	Cable Frein Moteur	Kabel, Motorbremse	B&S 625-675
2	81000622/2	1	Cable, Thread Engine Brake	Cavo Freno Motore	Cable Frein Moteur	Kabel, Motorbremse	GGP 150cc
3	81003291/3	1	Lever, Engine Brake	Leva Freno Motore	Levier Frein Moteur	Hebel, Motorbremse	
4	22041966/0	2	Bush	Bussola	Douille	Buchse	
5	22291050/0	1	Handgrip Black	Impugnatura Manico Nera	Poignée Noire	Handgriff Schwarz	
6	22041965/1	2	Bush	Bussola	Douille	Buchse	
7	81003288/1	1	Lever, Driving	Leva Trazione	Levier Traction	Hebel, Antrieb	
8	381000778/0	1	Cable, Rear Drive	Cavo Comando Trazione	Câble, Comma. Traction	Kabel, Antrieb	
9	18210016/1	1	Starting Key	Chiave Avviamento	Clef A Demarrage	Schlüssel Für Start	
11	22722801/0	1	L Protection	Protezione Sx	Protection G	Linke Schutz	
12	22722800/0	1	R Protection	Protezione Dx	Protection D	Rechte Schutz	
13	18450050/0	1	Switch	Interruttore	Interrupteur	Schalter	
14	12728300/0	2	Screw	Vite	Vis	Schraube	
15	12728691/0	1	Screw	Vite	Vis	Schraube	
16	18204120/0	1	Battery Charger	Carica Batteria	Chargeur De Batterie	Ladgerät	CE
16	18204121/0	1	Battery Charger	Carica Batteria	Chargeur De	Ladgerät	UK
17	122063002/2	1	Cable, Start	Cavo Avviamento	Cable Démarrage	Kabel, Start	
18	18120053/0	1	Battery	Batteria	Batterie	Batterie	
19	12728691/0	1	Screw	Vite	Vis	Schraube	
20	22109533/0	1	Battery Box	Contentitore Batteria	Conteneur De Batterie	Batterie Behälter	
21	18204196/0	1	Cable, Start	Cavo Avviamento	Cable Démarrage	Kabel, Start	



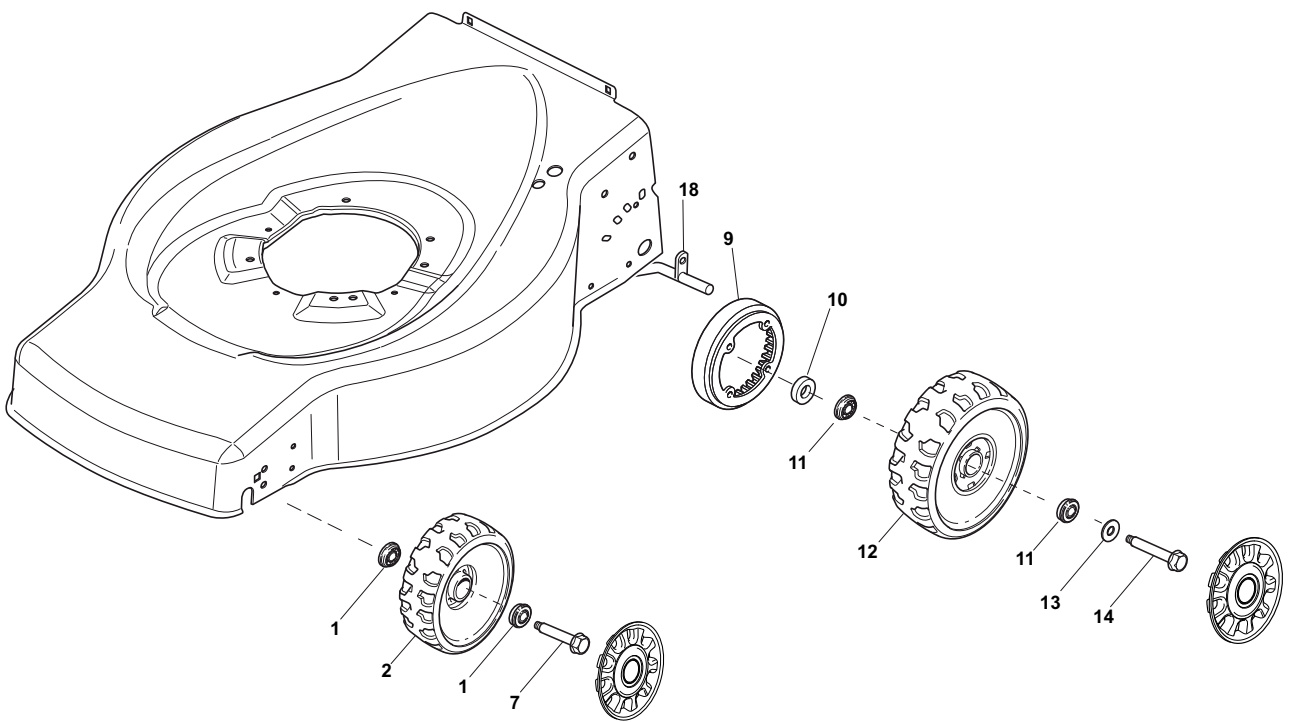
POS	PART. NO	Q.ty	DESCRIPTION	DESCRIZIONE	DESCRIPTION	BESCHREIBUNG	REMARKS
1	12291000/0	1	Nut	Dado	Ecrou	Mutter	
2	12581500/0	1	Grower	Grower	Grower	Federring	
3	22171005/0	1	Spacer	Distanziale	Entretoise	Distanzring	
4	12521360/0	1	Washer	Rosetta	Rondelle	Scheibe	
5	12508100/0	1	Spring Washer	Rosetta Elastica	Rondelle Elastique	Elastische Scheibe	
6	81007279/1	1	Lever, Throttle	Leva, Acceleratore	Levier, Accelérateur	Hebel, Beschleuniger	GGP-Honda-B&S
6	81007220/0	1	Lever, Throttle	Leva, Acceleratore	Levier, Accelérateur	Hebel, Beschleuniger	B&S450-500GGP 150cc
7	81007080/0	1	Throttle Cable	Cavo Acceleratore	Cable, Accelérateur	Gashebel Kabel	
8	12815000/0	1	Screw	Vite	Vis	Schraube	
9	14356703/0	1	Label	Etichetta	Etiquette	Etikette	B&S
9	114356905/0	1	Label	Etichetta	Etiquette	Etikette	B&S DOV
9	14356702/0	1	Label	Etichetta	Etiquette	Etikette	GGP
9	14356702/0	1	Label	Etichetta	Etiquette	Etikette	Honda
9	114356905/0	1	Label	Etichetta	Etiquette	Etikette	Honda Autochoke



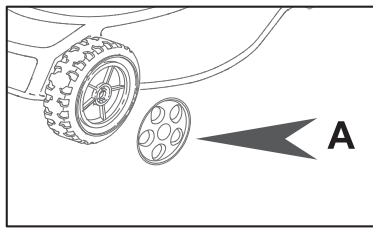
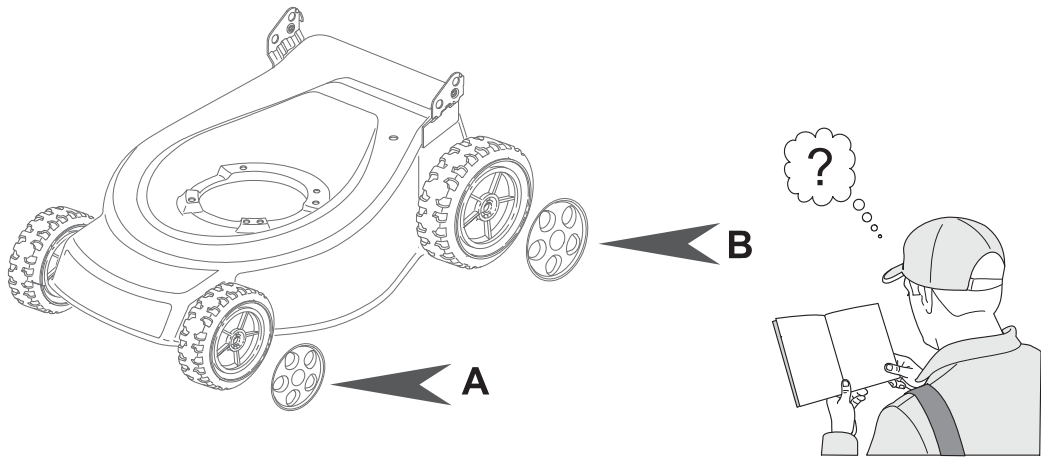
POS	PART. NO	Q.ty	DESCRIPTION	DESCRIZIONE	DESCRIPTION	BESCHREIBUNG	REMARKS
1	12608520/0	2	Seeger	Seeger	Seeger	Seeger	
2	22160520/0	2	Dust Cover	Disco Parapolvere	Protege-Poussiere	Staubschutscheibe	
3	22570125/0	2	Pinion	Pignone	Pignon	Ritzel	
4	22076645/0	2	Key	Chiave	Clef	Schlüssel	
5	22160520/0	2	Dust Cover	Disco Parapolvere	Protege-Poussiere	Staubschutscheibe	
6	12622620/0	2	Pin	Spina	Goupille	Stift	
7	22122202/0	2	Bearing	Cuscinetto	Coussinet	Lager	
8	22600106/1	2	Protection, Wheel	Prot. Ruote	Protection Roue	Schütz, Räder	
9	81003303/0	1	Lever, Height Adjustment	Leva Regolazione Altezza	Levier Reglage Hauteur	Hebel, Höneverstellung	
10	12728689/0	2	Screw	Vite	Vis	Schraube	
11	12713801/0	1	Dowel	Grano	Grain	Stift	
12	22601909/0	1	Pulley	Puleggia	Poulie	Riemenscheibe	
13	181003093/1	1	Gear Box	Gruppo Trazione	Groupe Traction	Antrieb	
15	22753001/0	2	Pin	Spina	Goupille	Stift	
16	22450438/0	1	Spring	Molla	Ressort	Feder	
17	35064100/0	1	Belt	Cinghia	Courroie	Riemen	



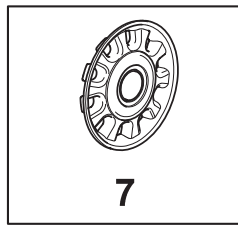
POS	PART. NO	Q.ty	DESCRIPTION	DESCRIZIONE	DESCRIPTION	BESCHREIBUNG	REMARKS
1	22034515/1	4	Bush	Bussola	Douille	Buchse	
2	22686091/1	2	Wheel Ø 165	Ruota Ø 165	Roue Ø 165	Rad Ø 165	
7	22524340/0	2	Pin	Perno	Pivot	Bolzen	
9	22120109/0	2	Sprocket	Ruota Dentata	Couronne	Zahnkettenrad	
10	22170622/0	2	Spacer	Distanziale	Entretoise	Distanzring	
11	22034508/0	4	Bush	Bussola	Douille	Buchse	
12	22686093/0	2	Wheel Ø 190	Ruota Ø 190	Roue Ø190	Rad Ø 190	
13	12523050/0	2	Washer	Rosetta	Rondelle	Scheibe	
14	12735599/0	2	Pin	Perno	Pivot	Bolzen	
18	22033393/0	1	Axle, Rear Wheels	Asse Ruote Posteriori	Axe Roues Arriere	Achse, Hinterrad	



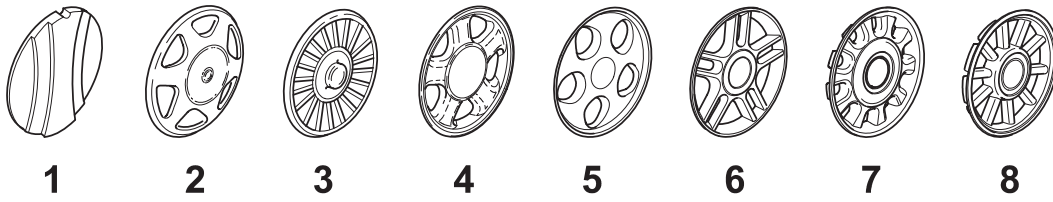
POS	PART. NO	Q.ty	DESCRIPTION	DESCRIZIONE	DESCRIPTION	BESCHREIBUNG	REMARKS
1	22122200/0	4	Bearing	Cuscinetto	Coussinet	Lager	
2	22686091/1	2	Wheel Ø 165	Ruota Ø 165	Roue Ø 165	Rad Ø 165	
7	22524340/0	2	Pin	Perno	Pivot	Bolzen	
9	22120109/0	2	Sprocket	Ruota Dentata	Couronne	Zahnkettenrad	
10	22170622/0	2	Spacer	Distanziale	Entretoise	Distanzring	
11	22122200/0	4	Bearing	Cuscinetto	Coussinet	Lager	
12	22686093/0	2	Wheel Ø 190	Ruota Ø 190	Roue Ø190	Rad Ø 190	
13	12523050/0	2	Washer	Rosetta	Rondelle	Scheibe	
14	12735599/0	2	Pin	Perno	Pivot	Bolzen	
18	22033393/0	1	Axle, Rear Wheels	Asse Ruote Posteriori	Axe Roues Arriere	Achse, Hinterrad	



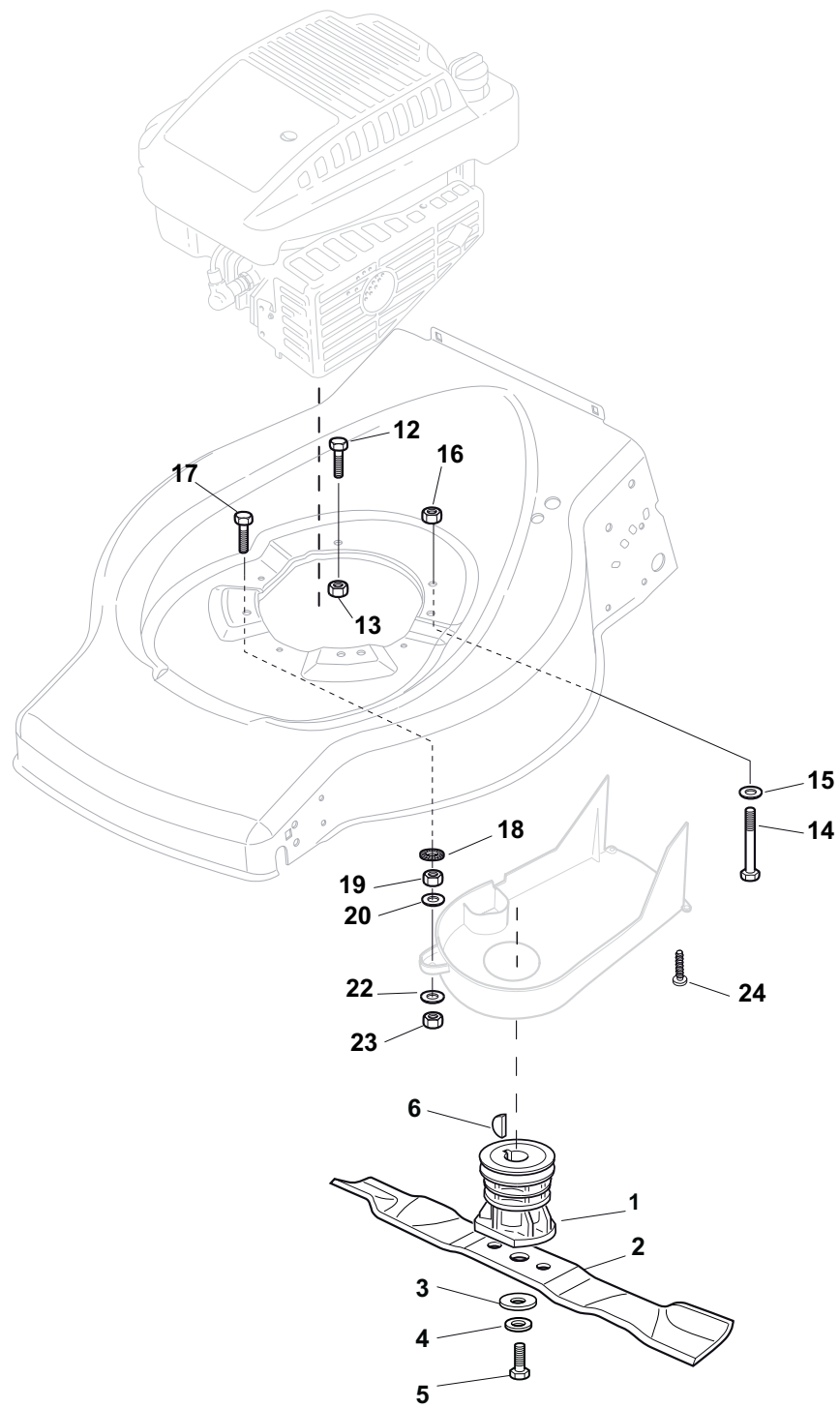
+



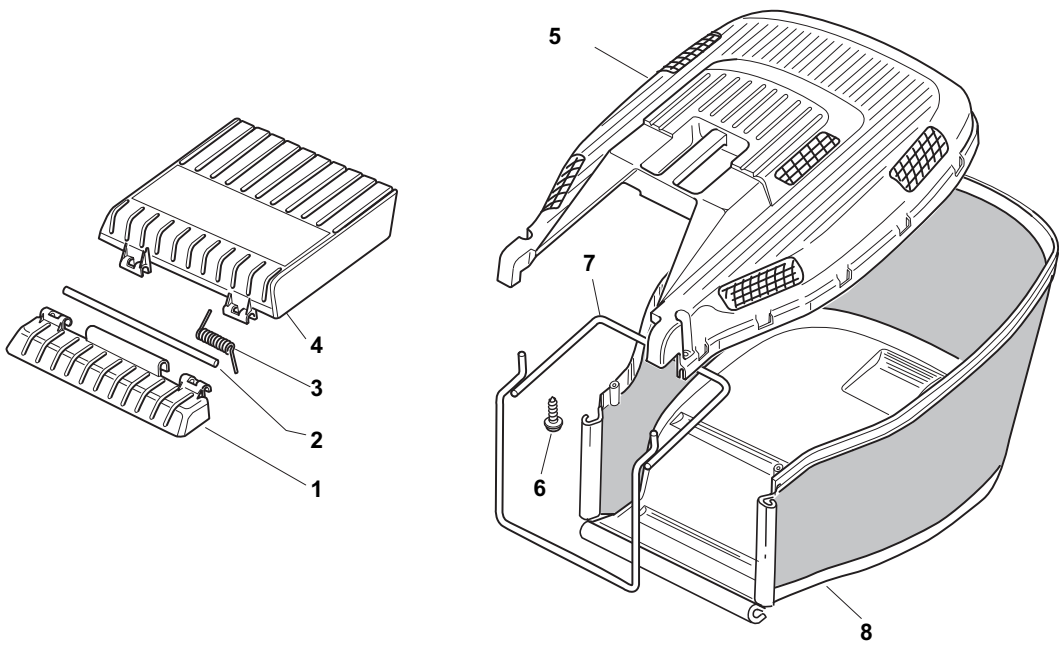
= A7



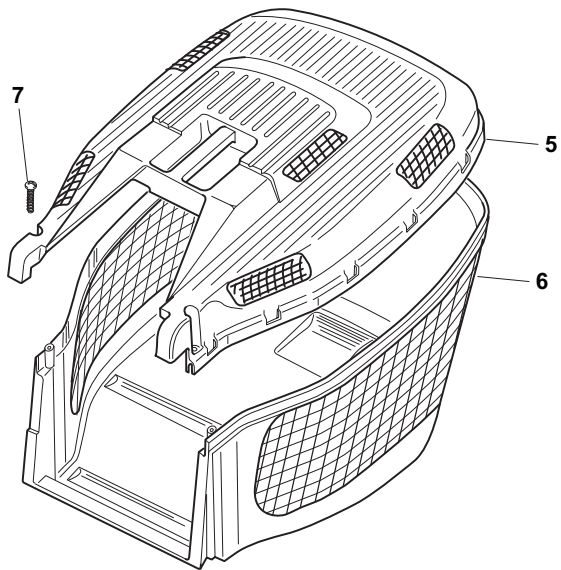
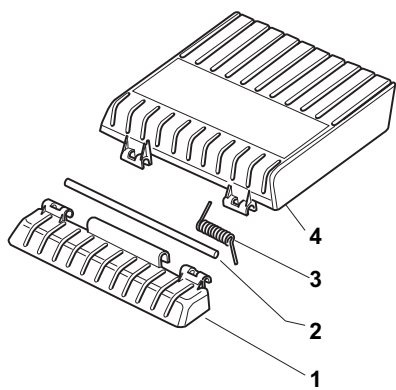
POS	PART. NO	Q.ty	DESCRIPTION	DESCRIZIONE	DESCRIPTION	BESCHREIBUNG	REMARKS
B1	22110251/0	2	Hub Cap White	Coprimozzo Bianco	Couvre-Moyeu Blanc	Radkappe	
A1	22110252/1	2	Hub Cap White	Coprimozzo Bianco	Couvre-Moyeu Blanc	Radkappe	
B1	22110253/0	2	Hub Cap Yellow	Coprimozzo Giallo	Couvre-Moyeu Jaune	RadkappeGelbe	
A1	22110254/1	2	Hub Cap Yellow	Coprimozzo Giallo	Couvre-Moyeu Jaune	RadkappeGelbe	
A1	22110255/1	2	Hub Cap Red	Coprimozzo Rosso	Couvre-Moyeu Rouge	Radkappe Rot	
B1	22110256/0	2	Hub Cap Grey	Coprimozzo Grigio	Couvre-Moyeu	Radkappe	
B2	22110313/0	2	Hub Cap White	Coprimozzo Bianco	Couvre-Moyeu Blanc	Radkappe	
B2	22110314/0	2	Hub Cap Grey	Coprimozzo Grigio	Couvre-Moyeu	Radkappe	
A2	22110344/0	2	Hub Cap White	Coprimozzo Bianco	Couvre-Moyeu Blanc	Radkappe	
A2	22110395/0	2	Hub Cap Grey	Coprimozzo Grigio	Couvre-Moyeu	Radkappe	
A3	22110347/0	2	Hub Cap Grey	Coprimozzo Grigio	Couvre-Moyeu	Radkappe	
B3	22110348/0	2	Hub Cap Grey	Coprimozzo Grigio	Couvre-Moyeu	Radkappe	
A4	22110381/0	2	Hub Cap Grey	Coprimozzo Grigio	Couvre-Moyeu	Radkappe	
B4	22110382/0	2	Hub Cap Grey	Coprimozzo Grigio	Couvre-Moyeu	Radkappe	
A5	22110416/0	2	Hub Cap Grey	Coprimozzo Grigio	Couvre-Moyeu	Radkappe	
B5	22110417/0	2	Hub Cap Grey	Coprimozzo Grigio	Couvre-Moyeu	Radkappe	
A6	22110491/0	2	Hub Cap Grey	Coprimozzo Grigio	Couvre-Moyeu	Radkappe	
B6	22110492/0	2	Hub Cap Grey	Coprimozzo Grigio	Couvre-Moyeu	Radkappe	
A7	22110493/0	2	Hub Cap Grey	Coprimozzo Grigio	Couvre-Moyeu	Radkappe	
B7	22110494/0	2	Hub Cap Grey	Coprimozzo Grigio	Couvre-Moyeu	Radkappe	
A8	22110495/0	2	Hub Cap Grey	Coprimozzo Grigio	Couvre-Moyeu	Radkappe	
B8	22110496/0	2	Hub Cap Grey	Coprimozzo Grigio	Couvre-Moyeu	Radkappe	



POS	PART. NO	Q.ty	DESCRIPTION	DESCRIZIONE	DESCRIPTION	BESCHREIBUNG	REMARKS
1	122465607/3	1	Hub With Pulley, Crankshaft Ø 22	Mozzo Con Puleggia, Albero Motore Ø 22	Moyeu Avec Poulie, Arbre Moteur Ø 22	Nabe Mit Scheibe, Motorwelle Ø 22	GGP-B&S
1	122465608/2	1	Hub With Pulley, Crankshaft Ø 25	Mozzo Con Puleggia, Albero Motore Ø 25	Moyeu Avec Poulie, Arbre Moteur Ø 25	Nabe Mit Scheibe, Motorwelle Ø 25	Hona
2	81004365/3	1	Blade Standard	Coltello Standard	Lame Standard	Messer Standard	
3	22160400/0	1	Elastic Washer	Disco Elastico	Rondelle Elastique	Elastischescheibe	
4	12523080/0	1	Washer	Rosetta	Rondelle	Scheibe	
5	12735698/0	1	Screw	Vite	Vis	Schraube	
6	12139100/0	1	Feather, Crankshaft Ø 22.2	Linguetta, Albero Motore Ø 22.2	Clavette, Arbre Moteur Ø 22.2	Keil, Motorwelle Ø 22.2	GGP-B&S
6	12139150/0	1	Feather, Crankshaft Ø 25	Linguetta, Albero Motore Ø 25	Clavette, Arbre Moteur Ø 25	Keil, Motorwelle Ø 25	Hona
12	12793701/0	2	Screw	Vite	Vis	Schraube	
13	12293201/0	2	Nut	Dado	Ecrou	Mutter	
14	12691800/0	1	Screw	Vite	Vis	Schraube	
15	12521350/0	1	Washer	Rosetta	Rondelle	Scheibe	
16	12155000/0	1	Nut	Dado	Ecrou	Mutter	
17	12793801/0	1	Screw	Vite	Vis	Schraube	B&S
17	12691115/0	1	Screw	Vite	Vis	Schraube	GGP150cc
17	12691200/0	1	Screw	Vite	Vis	Schraube	GGP-Honda
18	12540060/0	1	Washer	Rosetta	Rondelle	Scheibe	
19	12293200/0	1	Nut	Dado	Ecrou	Mutter	
20	22671651/0	1	Washer	Rosetta	Rondelle	Scheibe	
22	25670011/0	1	Washer	Rosetta	Rondelle	Scheibe	
23	12155000/0	1	Nut	Dado	Ecrou	Mutter	
24	12728530/0	2	Screw	Vite	Vis	Schraube	



POS	PART. NO	Q.ty	DESCRIPTION	DESCRIZIONE	DESCRIPTION	BESCHREIBUNG	REMARKS
1	22785136/1	1	Support	Supporto	Support	Halter	
2	22517858/0	1	Pin	Perno	Pivot	Bolzen	
3	22450431/0	1	Spring	Molla	Ressort	Feder	
4	322600099/1	1	Stone-Guard	Parasassi	Pare-Pierres	Prallblech	
5	22486122/0	1	Grassbox Upper Part	Parte Sup.Sacco	Sac, Partie Sup.	Korb Oberteil	
6	12728686/0	2	Screw	Vite	Vis	Schraube	
8	81002229/0	1	Box, Fabric	Sacco, Tela	Sac, Toile	Sack, Tuck	
7	81006419/0	1	Chassis Box	Telaio Sacco	Châssis Bac	Rahmen Sack	



POS	PART. NO	Q.ty	DESCRIPTION	DESCRIZIONE	DESCRIPTION	BESCHREIBUNG	REMARKS
1	22785136/1	1	Support	Supporto	Support	Halter	
2	22517858/0	1	Pin	Perno	Pivot	Bolzen	
3	22450431/0	1	Spring	Molla	Ressort	Feder	
4	322600099/1	1	Stone-Guard	Parasassi	Pare-Pierres	Prallblech	
5	22486122/0	1	Grassbox Upper Part	Parte Sup.Sacco	Sac, Partie Sup.	Korb Oberteil	
6	22486128/0	1	Grassbox Lower Part	Parte Infer. Sacco	Sac, Partie Inferieure	Korb Unterteil	
7	12728686/0	2	Screw	Vite	Vis	Schraube	