

Genuine Spare Parts

www.stiga.com

ESTATE SENATOR HST - 2T0420281/SF1 Model Year 2011

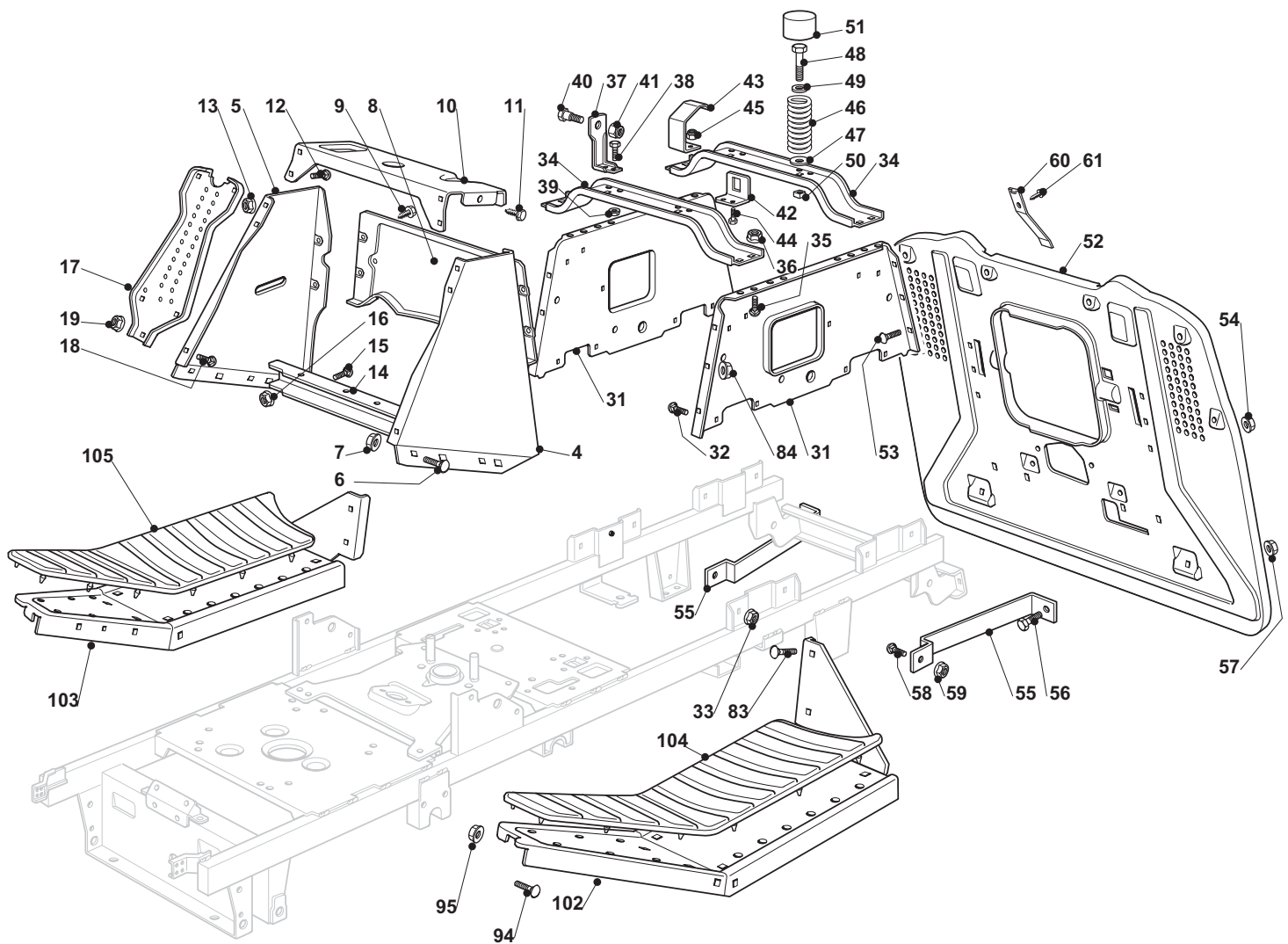
- Use GLOBAL GARDEN PRODUCT Genuine Spare Parts specified in the parts list for repair and/or replacement.
- The contents described in the parts list may change due to improvement.
- The drawings of the spare parts are only indicative and might not represent the part in question exactly.
- The indications "right" - "left" - "front" - "rear" refer to the position of the operator when using the machine.
- When placing orders of parts for repair and/or replacement, make sure that the illustrated parts list is the one applying to the machine's year of manufacture, as shown on the identification plate attached to the machine.

COPYRIGHT by GLOBAL GARDEN PRODUCTS

All rights reserved. No part of this material may be reproduced or transmitted, in any form or by any means, electronic or mechanical, including photocopying, recording or by any information storage and retrieval system, without permission in writing from GLOBAL GARDEN PRODUCTS.



ESTATE SENATOR HST

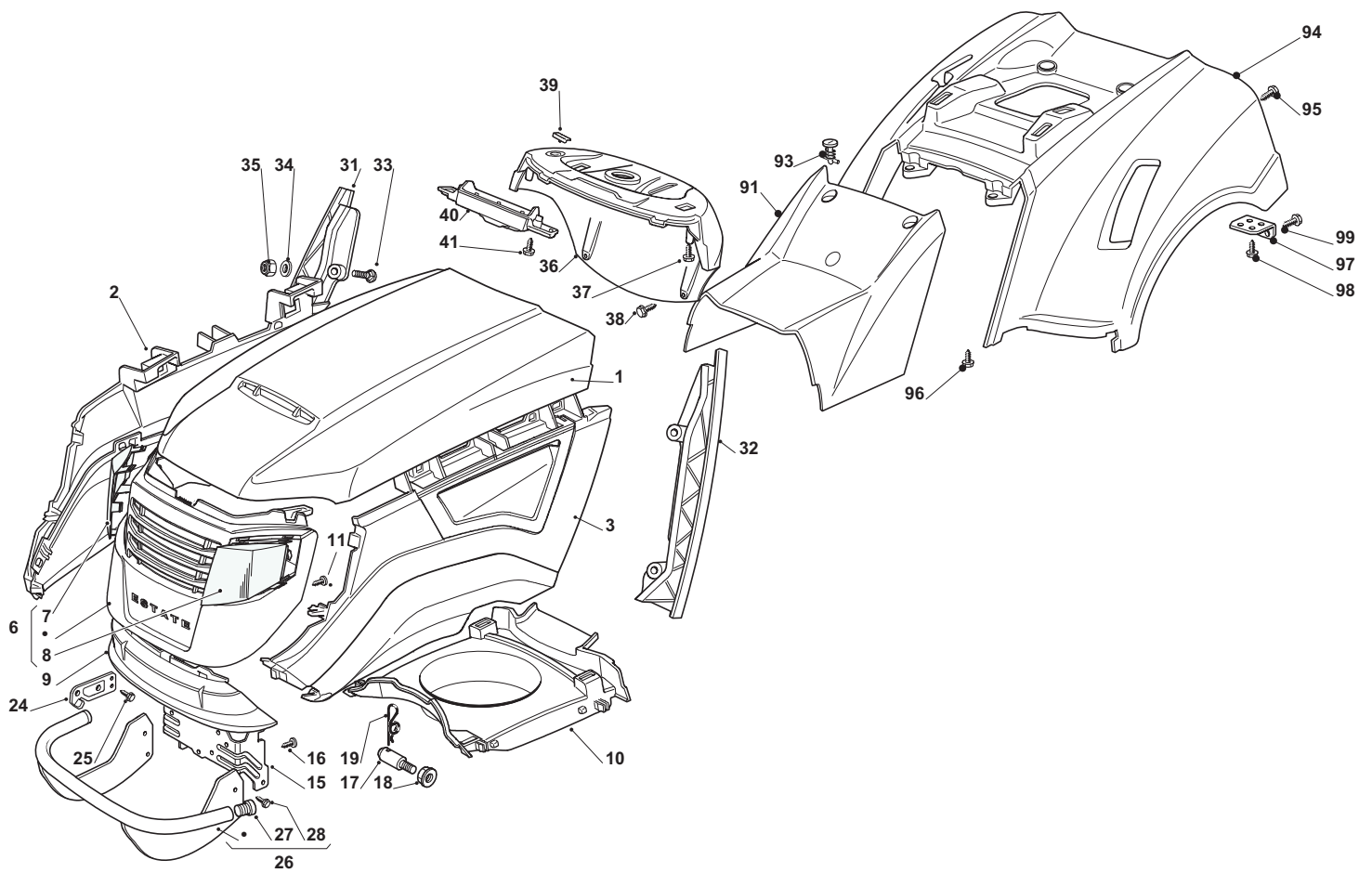




ESTATE SENATOR HST

| Pos. Fig. | Antal Quantity | Art No Part No | Benämning | Description | Anmärkning Notes |
|-----------|----------------|----------------|-------------------------|-------------------------|------------------|
| 4 | 1 | 325785243/1 | Instrumentbräda-vä Stöd | Left Dashboard Supp. | |
| 5 | 1 | 25785245/0 | Instrumentbräda-hö Stöd | Right Dashboard Supp. | |
| 6 | 4 | 12818690/0 | Skruv | Screw | |
| 7 | 4 | 12293201/0 | Mutter | Nut | |
| 8 | 1 | 382785151/1 | Rear Dashboard Supp | Rear Dashboard Supp | |
| 9 | 4 | 12735110/0 | Skruv | Screw | |
| 10 | 1 | 25785255/0 | Central Dashboard Supp | Central Dashboard Supp | |
| 11 | 2 | 12735110/0 | Skruv | Screw | |
| 12 | 4 | 12815200/0 | Skruv | Screw | |
| 13 | 4 | 12292102/0 | Mutter | Nut | |
| 14 | 1 | 25785241/0 | Stöd | Support | |
| 15 | 2 | 12815200/0 | Skruv | Screw | |
| 16 | 2 | 12292102/0 | Mutter | Nut | |
| 17 | 2 | 382785153/1 | Front Dashboard Supp | Front Dashboard Supp | |
| 18 | 2 | 12815200/0 | Skruv | Screw | |
| 19 | 2 | 12292102/0 | Mutter | Nut | |
| 31 | 2 | 325785249/1 | Seat Support | Seat Support | |
| 32 | 8 | 12815200/0 | Skruv | Screw | |
| 33 | 8 | 12292102/0 | Mutter | Nut | |
| 34 | 2 | 325785257/1 | Seat Support | Seat Support | |
| 35 | 8 | 12818690/0 | Skruv | Screw | |
| 36 | 8 | 12293201/0 | Mutter | Nut | |
| 37 | 2 | 25755039/0 | Fästvinkel | Bracket | |
| 38 | 4 | 12792611/0 | Skruv | Screw | |
| 39 | 4 | 12293201/0 | Mutter | Nut | |
| 40 | 2 | 22524970/2 | Stift | Pin | |
| 41 | 2 | 12155010/0 | Mutter | Nut | |
| 42 | 1 | 25755043/0 | Fästvinkel | Bracket | |
| 43 | 1 | 25430253/0 | Fjäder | Spring | |
| 44 | 2 | 12789000/0 | Skruv | Screw | |
| 45 | 2 | 12154330/0 | Mutter | Nut | |
| 46 | 2 | 125430257/1 | Fjäder | Spring | |
| 47 | 2 | 12523070/0 | Bricka | Washer | |
| 48 | 2 | 12760515/0 | Skruv | Screw | |
| 49 | 2 | 22671653/0 | Bricka | Washer | |
| 50 | 2 | 12360425/0 | Mutter | Nut | |
| 51 | 2 | 25122000/2 | Styrning | Hood | |
| 52 | 1 | 382547041/1 | Tavla | Plate | |
| 53 | 6 | 12792611/0 | Skruv | Screw | |
| 54 | 6 | 12293201/0 | Mutter | Nut | |
| 55 | 2 | 25650119/0 | Reduktion | Plate Stiffening | |
| 56 | 2 | 12792611/0 | Skruv | Screw | |
| 57 | 2 | 12293201/0 | Mutter | Nut | |
| 58 | 2 | 12818690/0 | Skruv | Screw | |
| 59 | 2 | 12293201/0 | Mutter | Nut | |
| 60 | 1 | 27430554/0 | Fjäder | Spring | |
| 61 | 1 | 12735110/0 | Skruv | Screw | |
| 83 | 4 | 12792611/0 | Skruv | Screw | |
| 84 | 4 | 12293201/0 | Mutter | Nut | |
| 94 | 4 | 12815200/0 | Skruv | Screw | |
| 95 | 4 | 12292102/0 | Mutter | Nut | |
| 102 | 1 | 382510083/0 | Fotsteg-Vä Stöd | Left Footboard Support | |
| 103 | 1 | 382510081/0 | Fotsteg-hö Stöd | Right Footboard Support | |
| 104 | 1 | 25110327/0 | Fotsteg-Vä täcka | Left Footboard Cover | |
| 105 | 1 | 25110326/0 | Fotsteg-hö täcka | Right Footboard Cover | |

ESTATE SENATOR HST





ESTATE SENATOR HST

| Pos. Fig. | Antal Quantity | Art No Part No | Benämning | Description | Anmärkning Notes |
|-----------|----------------|----------------|---------------------------|---------------------------|------------------|
| 1 | 1 | 25076866/0 | Upper Engine Hood, Yellow | Upper Engine Hood, Yellow | |
| 2 | 1 | 382394611/0 | Hood, Right | Hood, Right | |
| 3 | 1 | 382394612/0 | Hood, Left | Hood, Left | |
| 6 | 1 | 82394610/0 | Motorhuv | Grey Hood, Front | |
| 7 | 1 | 25410876/0 | Frontkåpa-hö | Right Grill | |
| 8 | 1 | 25410877/0 | Frontkåpa-vä | Left Grill | |
| 9 | 1 | 25076865/0 | Lower Grey Hood, Front | Lower Grey Hood, Front | |
| 10 | 1 | 25108031/0 | Inmatningstratt | Conveyor | |
| 11 | 6 | 12735403/0 | Skruv | Screw | |
| 15 | 1 | 325774301/2 | Motorhuv | Engine Hood Support | |
| 16 | 5 | 12735403/0 | Skruv | Screw | |
| 17 | 2 | 125510079/1 | Stift | Pin | |
| 18 | 2 | 12293201/0 | Mutter | Nut | |
| 19 | 2 | 24487998/0 | Låsnål | Cotter Pin | |
| 24 | 2 | 325547159/1 | Trombocyt | Plate | |
| 25 | 4 | 12731580/0 | Skruv | Screw | |
| 26 | 1 | 82869027/0 | Ljuddämparskydd | Muffler Protection | |
| 27 | 2 | 18737860/0 | Plugg | Cap | |
| 28 | 4 | 12734995/0 | Skruv | Screw | |
| 31 | 1 | 25599012/0 | Instrumentbrädal-hö Stöd | Right Dashboard Supp. | |
| 32 | 1 | 25599013/0 | Instrumentbrädal-vä Stöd | Left Dashboard Supp. | |
| 33 | 4 | 12815221/0 | Skruv | Screw | |
| 34 | 4 | 12521330/0 | Bricka | Washer | |
| 35 | 4 | 12154510/0 | Mutter | Nut | |
| 36 | 1 | 325120188/2 | Instrumentbräda svart | Dashboard | |
| 37 | 2 | 12728440/0 | Skruv | Screw | |
| 38 | 2 | 12735402/0 | Skruv | Screw | |
| 39 | 2 | 25260000/0 | Hylsa | Grommet | |
| 40 | 1 | 25600074/0 | Skydd-Röd | Card Protection | |
| 41 | 2 | 12735402/0 | Skruv | Screw | |
| 51 | 1 | 25961212/0 | Rott | Steering Wheel | |
| 52 | 1 | 325580500/0 | Lock | Cap | |
| 53 | 1 | 12620299/0 | Stift | Pin | |
| 91 | 1 | 325110365/0 | Kåpa-gul | Cover, Yellow | |
| 93 | 2 | 125580020/2 | Stift | Pivot | |
| 94 | 1 | 25110323/0 | Wheels Cover Yellow | Wheels Cover Yellow | |
| 95 | 4 | 12735402/0 | Skruv | Screw | |
| 96 | 2 | 12735402/0 | Skruv | Screw | |
| 97 | 2 | 25755041/0 | Fästvinkel | Bracket | |
| 98 | 4 | 12728686/0 | Skruv | Screw | |
| 99 | 2 | 12735110/0 | Skruv | Screw | |



ESTATE SENATOR HST

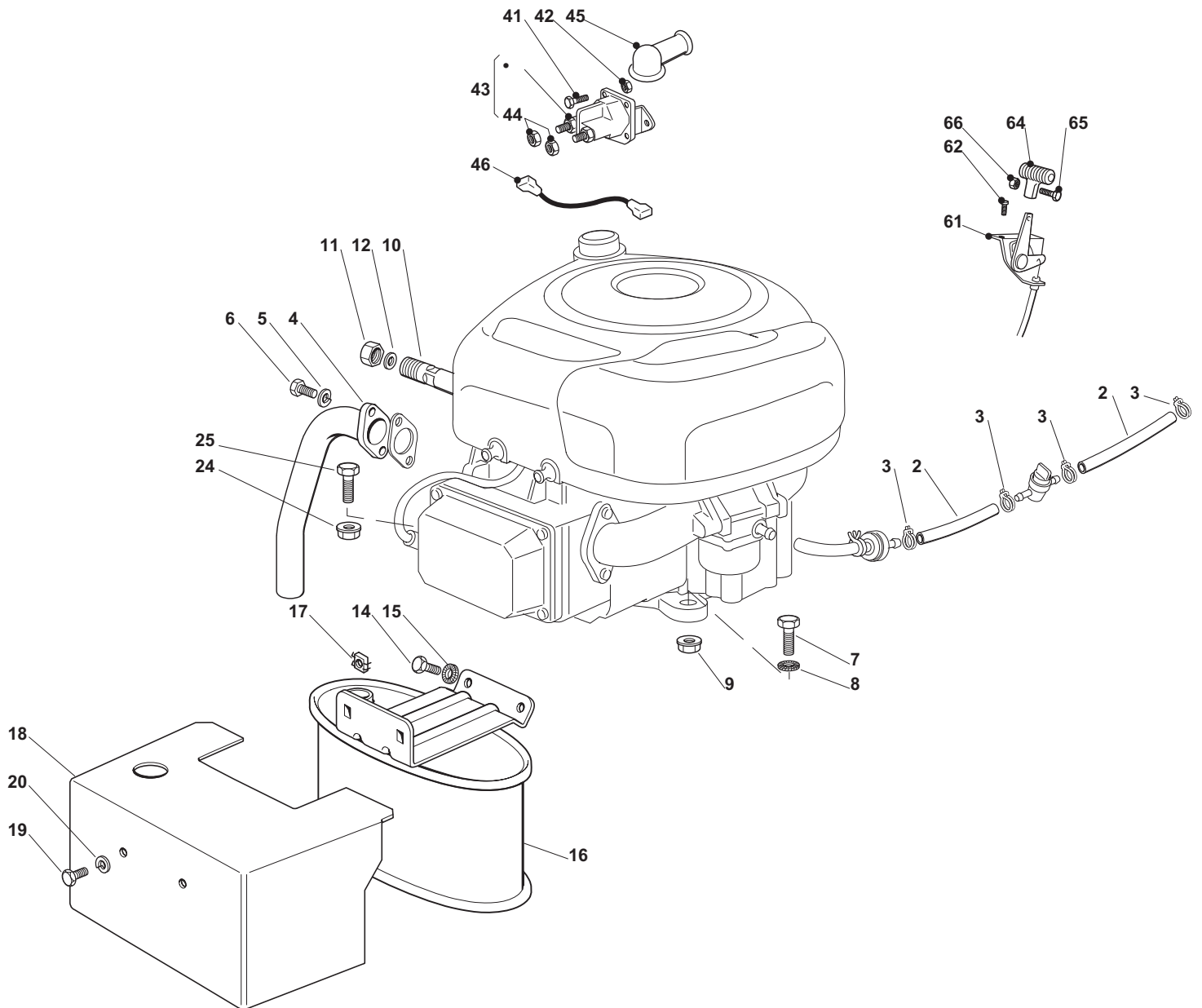
| Pos. Fig. | Antal Quantity | Art No Part No | Benämning | Description | Anmärkning Notes |
|-----------|----------------|----------------|------------------------------------|------------------------------------|------------------|
| 1 | 1 | 25038004/0 | Kompass | Bush | |
| 2 | 1 | 125520006/1 | Steering Column | Steering Column | |
| 3 | 1 | 27570050/0 | Drev | Pinion | |
| 4 | 1 | 12622650/0 | Stift | Pin | |
| 5 | 1 | 25743000/0 | Ledkåpa, Vä+Hö | Joint | |
| 6 | 1 | 12521370/0 | Bricka | Washer | |
| 7 | 1 | 12436030/0 | Trombocyt | Plate | |
| 8 | 1 | 325785213/1 | Stöd | Support | |
| 9 | 2 | 12729601/1 | Skruv | Screw | |
| 12 | 1 | 12379511/0 | Smörjnippel | Grease Dispenser | |
| 13 | 2 | 25040624/0 | Kompass | Bush | |
| 16 | 1 | 25510092/0 | Stift | Pin | |
| 17 | 1 | 25670019/0 | Bricka | Washer | |
| 18 | 1 | 25735513/0 | Sector | Steering Shaft | |
| 19 | 1 | 12523080/0 | Bricka | Washer | |
| 20 | 1 | 12155020/0 | Mutter | Nut | |
| 21 | 1 | 25318205/0 | Arm | Lever | |
| 22 | 1 | 12523080/0 | Bricka | Washer | |
| 23 | 1 | 12794985/0 | Skruv | Screw | |
| 24 | 1 | 25743000/0 | Ledkåpa, Vä+Hö | Joint | |
| 25 | 1 | 325785213/1 | Stöd | Support | |
| 26 | 2 | 12791213/1 | Skruv | Screw | |
| 27 | 2 | 12521330/0 | Bricka | Washer | |
| 28 | 2 | 12154510/0 | Mutter | Nut | |
| 29 | 1 | 382000539/1 | Vevstake | Steering Rod | |
| 30 | 2 | 12523070/0 | Bricka | Washer | |
| 31 | 2 | 12155010/0 | Mutter | Nut | |
| 41 | 1 | 382034024/1 | Equalizer With Bush (With 36 + 37) | Equalizer With Bush And Lubricator | |
| 42 | 4 | 25034002/1 | Bussning | Brass | |
| 43 | 2 | 12379511/0 | Smörjnippel | Grease Dispenser | |
| 44 | 1 | 25160016/0 | Distans | Spacer | |
| 45 | 1 | 12692695/0 | Skruv | Screw | |
| 46 | 2 | 12523100/0 | Bricka | Washer | |
| 47 | 1 | 12587100/0 | Bricka | Washer | |
| 48 | 1 | 12295300/0 | Mutter | Nut | |
| 49 | 1 | 82230363/0 | Right Stub Axle | Right Stub Axle | |
| 50 | 1 | 82230365/0 | Left Stub Axle | Left Stub Axle | |
| 51 | 2 | 12001000/0 | Låsring | Snap Ring | |
| 52 | 1 | 25743000/0 | Ledkåpa, Vä+Hö | Joint | |
| 53 | 1 | 325785213/1 | Stöd | Support | |
| 54 | 2 | 12791213/1 | Skruv | Screw | |
| 55 | 2 | 12521330/0 | Bricka | Washer | |
| 56 | 2 | 12154510/0 | Mutter | Nut | |
| 57 | 1 | 125840023/0 | Gasreglagelänk | Tie Rod | |
| 58 | 2 | 122746609/0 | Mutter | Joint | |
| 59 | 2 | 12156602/0 | Mutter | Nut | |
| 60 | 2 | 112295201/0 | Mutter | Nut | |



ESTATE SENATOR HST

| Pos. Fig. | Antal Quantity | Art No Part No | Benämning | Description | Anmärkning Notes |
|-----------|----------------|----------------|------------------------|------------------------|------------------|
| 1 | 1 | 82500029/1 | Pedal | Pedal | |
| 2 | 1 | 325110416/0 | Clamp Cover | Clamp Cover | |
| 3 | 2 | 27546015/1 | Trombocyt | Plate | |
| 4 | 4 | 12729601/1 | Skruv | Screw | |
| 5 | 1 | 382000627/0 | Stång | Rod | |
| 6 | 1 | 12521350/0 | Bricka | Washer | |
| 7 | 1 | 12155000/0 | Mutter | Nut | |
| 8 | 1 | 12521350/0 | Bricka | Washer | |
| 9 | 1 | 12155000/0 | Mutter | Nut | |
| 10 | 1 | 25785261/0 | Stöd | Support | |
| 11 | 2 | 12815200/0 | Skruv | Screw | |
| 12 | 2 | 12292102/0 | Mutter | Nut | |
| 13 | 1 | 82000531/0 | Länk | Rod | |
| 14 | 1 | 22524970/2 | Stift | Pin | |
| 15 | 1 | 12155000/0 | Mutter | Nut | |
| 16 | 1 | 25430213/0 | Fjäder | Spring | |
| 31 | 1 | 382000605/0 | Drive Pedal | Drive Pedal | |
| 32 | 1 | 325110417/0 | Clamp Cover Front | Clamp Cover Front | |
| 33 | 1 | 325110418/0 | Clamp Cover Rear | Clamp Cover Rear | |
| 34 | 2 | 25785185/0 | Stöd | Support | |
| 35 | 2 | 27546015/1 | Trombocyt | Plate | |
| 36 | 4 | 12815245/0 | Skruv | Screw | |
| 37 | 4 | 12154510/0 | Mutter | Nut | |
| 38 | 1 | 382000578/0 | Stång | Rod | |
| 39 | 2 | 12523040/0 | Bricka | Washer | |
| 40 | 2 | 112000940/0 | Låsring | Benzing | |
| 41 | 1 | 382394853/0 | Brytare | Switch Ass.Y | |
| 42 | 1 | 19410609/0 | Neutral Switch (Hydro) | Neutral Switch (Hydro) | |
| 43 | 2 | 12735602/0 | Skruv | Screw | |
| 44 | 2 | 12581100/0 | Bricka | Grower | |
| 45 | 2 | 12290791/0 | Mutter | Nut | |
| 46 | 2 | 12735110/0 | Skruv | Screw | |
| 61 | 1 | 25207171/0 | Kåpa | Cover | |
| 62 | 2 | 12735402/0 | Skruv | Screw | |
| 63 | 4 | 12523050/0 | Bricka | Washer | |

ESTATE SENATOR HST

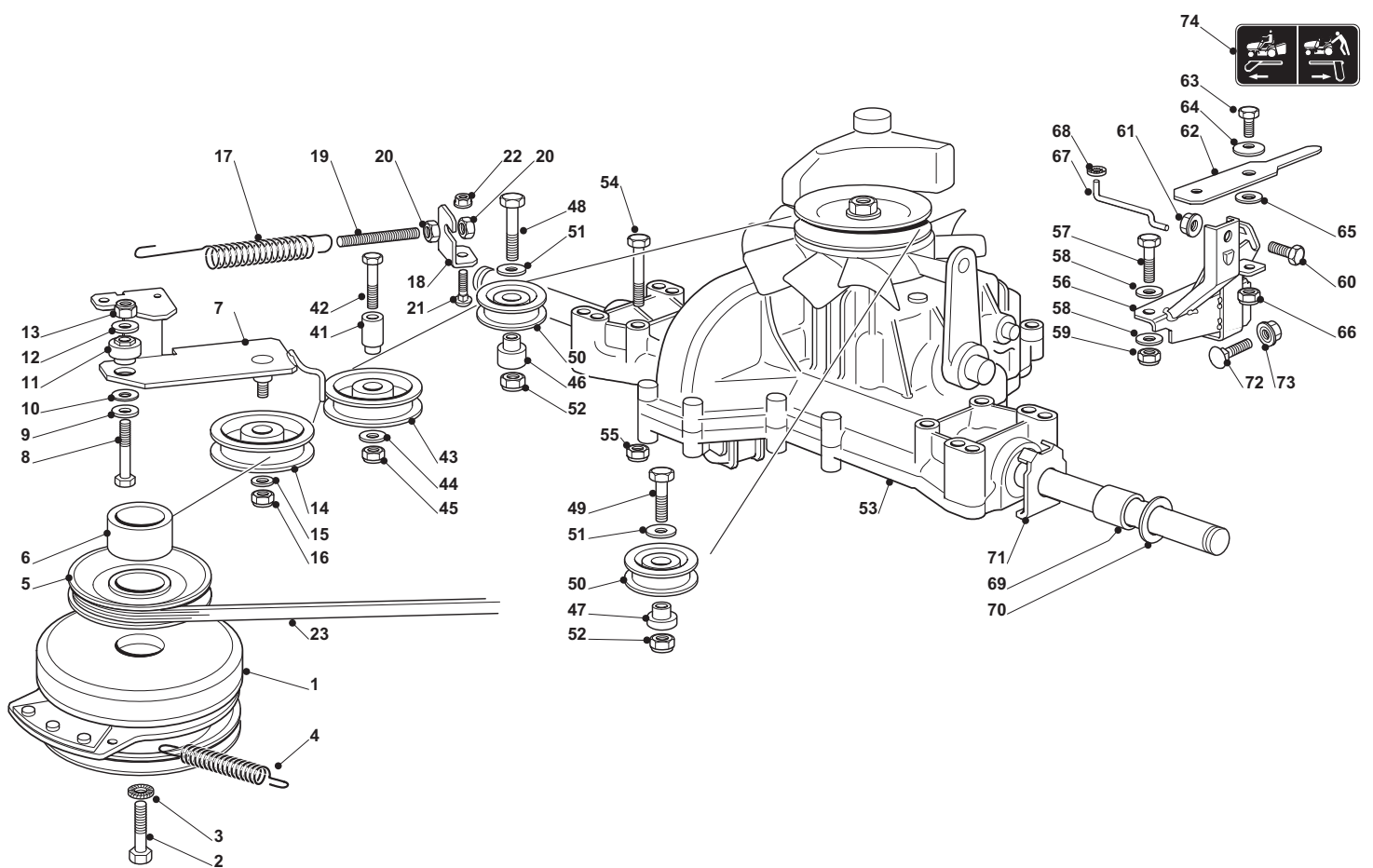




ESTATE SENATOR HST

| Pos. Fig. | Antal Quantity | Art No Part No | Benämning | Description | Anmärkning Notes |
|-----------|----------------|----------------|-------------------------|---------------------------|------------------|
| 2 | 1 | 25869057/0 | Vevstake | Connecting Tube (1000 Mm) | |
| 3 | 4 | 18375051/1 | Slangklämma | Fair Led | |
| 4 | 1 | 18738224/0 | Avgasrör | Exhaust Tube | |
| 5 | 2 | 12583500/0 | Bricka | Grower | |
| 6 | 2 | 12735530/0 | Skruv | Screw | |
| 7 | 1 | 12691115/0 | Skruv | Left Screw | |
| 8 | 1 | 12540260/0 | Bricka | Washer | |
| 9 | 1 | 12154210/0 | Mutter | Nut | |
| 10 | 1 | 25598050/0 | Oil Discharge Extension | Oil Discharge Extension | |
| 11 | 1 | 18737849/0 | Lock | Oil Cap | |
| 12 | 1 | 18401001/1 | Tätningssring | Oil Seal | |
| 14 | 2 | 12793102/0 | Skruv | Screw | |
| 15 | 2 | 12540260/0 | Bricka | Washer | |
| 16 | 1 | 182750010/0 | Ljuddämpare | Muffler | |
| 17 | 2 | 12360425/0 | Mutter | Nut | |
| 18 | 1 | 82598009/2 | Skydd | Guard | |
| 19 | 2 | 12792611/0 | Skruv | Screw | |
| 20 | 2 | 12583500/0 | Bricka | Grower | |
| 24 | 3 | 12154210/0 | Mutter | Nut | |
| 25 | 3 | 12691100/0 | Skruv | Left Screw | |
| 41 | 2 | 12791213/1 | Skruv | Screw | |
| 42 | 2 | 12292102/0 | Mutter | Nut | |
| 43 | 1 | 18736110/0 | Starter Relay | Starter Relay | |
| 44 | 2 | 12360352/0 | Mutter | Nut | |
| 45 | 1 | 18564864/1 | Tätningshylsa | Protection | |
| 46 | 1 | 25065017/0 | Kabel | Cable | |
| 61 | 1 | 82000200/1 | Gasreglage | Accelerator | |
| 62 | 2 | 125943012/0 | Skruv | Screw | |
| 64 | 1 | 25394501/0 | Knopp | Knob | |
| 65 | 1 | 12726388/0 | Stift | Screw | |
| 66 | 1 | 12290800/0 | Mutter | Nut | |

ESTATE SENATOR HST

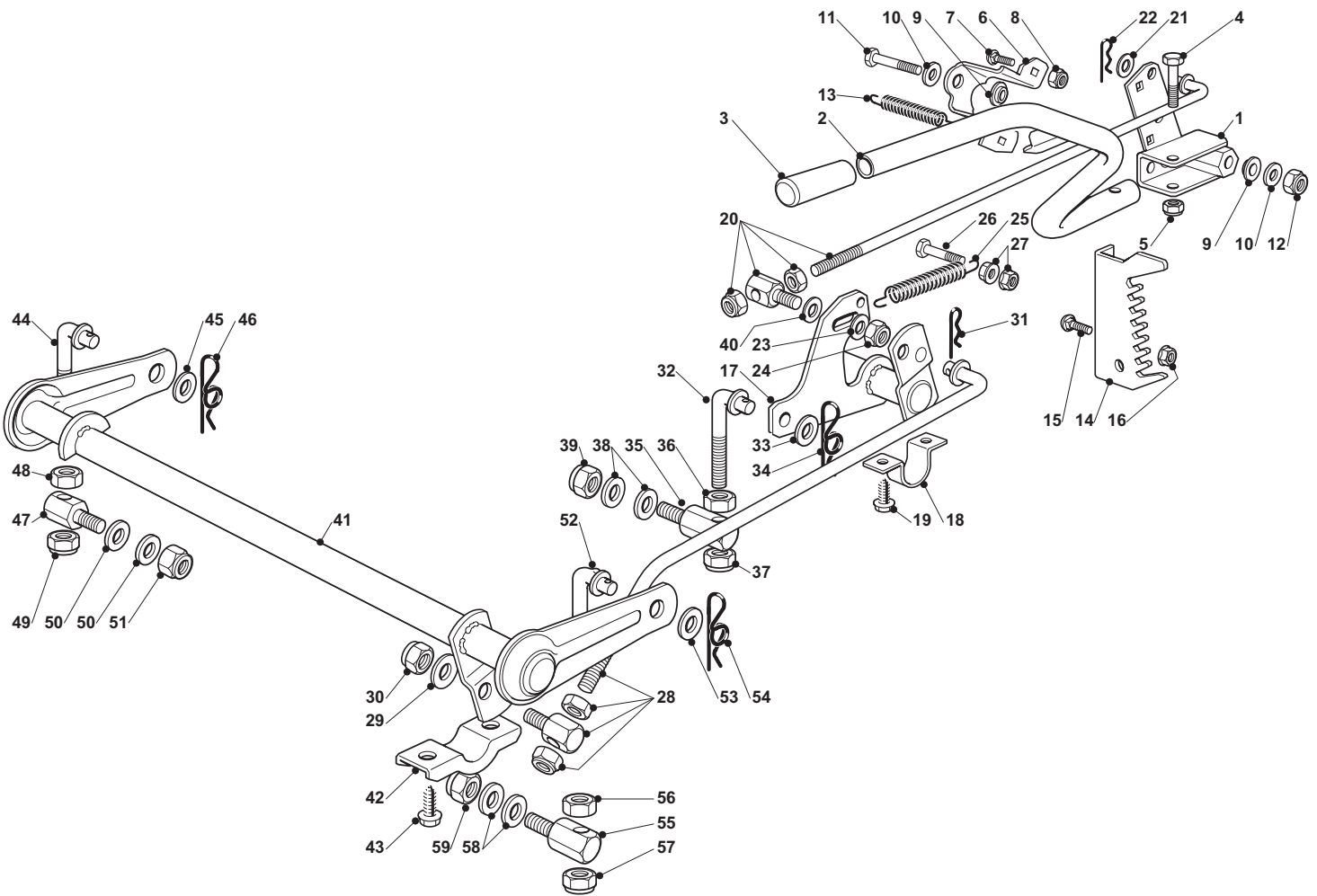




ESTATE SENATOR HST

| Pos. Fig. | Antal Quantity | Art No Part No | Benämning | Description | Anmärkning Notes |
|-----------|----------------|----------------|--------------------------|----------------------------|------------------|
| 1 | 1 | 118399063/0 | Koppling | Clutch | |
| 2 | 1 | 12737320/0 | Skruv | Screw | |
| 3 | 1 | 12543000/0 | Bricka | Washer | |
| 4 | 1 | 22430216/0 | Fjäder | Spring | |
| 5 | 1 | 25601566/0 | Remskiva | Pulley | |
| 6 | 1 | 25160021/0 | Distans | Spacer | |
| 7 | 1 | 82318217/0 | Spak | Lever | |
| 8 | 1 | 12691115/0 | Skruv | Left Screw | |
| 9 | 1 | 12523060/0 | Bricka | Washer | |
| 10 | 1 | 27670055/0 | Bricka | Washer | |
| 11 | 1 | 25510087/0 | Stift | Pin | |
| 12 | 1 | 12523060/0 | Bricka | Washer | |
| 13 | 1 | 12155000/0 | Mutter | Nut | |
| 14 | 1 | 25601554/0 | Remskiva | Pulley | |
| 15 | 1 | 12523060/0 | Bricka | Washer | |
| 16 | 1 | 12155000/0 | Mutter | Nut | |
| 17 | 1 | 25430260/0 | Fjäder | Spring | |
| 18 | 1 | 25755049/0 | Fästvinkel | Bracket | |
| 19 | 1 | 25840005/0 | Stång | Tie Rod | |
| 20 | 2 | 12293200/0 | Mutter | Nut | |
| 21 | 1 | 12818690/0 | Skruv | Screw | |
| 22 | 1 | 12293201/0 | Mutter | Nut | |
| 23 | 1 | 35062001/0 | Drivrem | Belt | |
| 41 | 1 | 125510100/0 | Stift | Pin | |
| 42 | 1 | 12691800/0 | Skruv | Screw | |
| 43 | 1 | 25601555/0 | Remskiva | Pulley | |
| 44 | 1 | 12523060/0 | Bricka | Washer | |
| 45 | 1 | 12155000/0 | Mutter | Nut | |
| 46 | 1 | 125160024/2 | Distans | Long Spacer | |
| 47 | 1 | 125160030/2 | Distans | Left Spacer | |
| 48 | 1 | 12691400/0 | Skruv | Right Screw | |
| 49 | 1 | 12691115/0 | Skruv | Left Screw | |
| 50 | 2 | 125601588/0 | Remskiva | Pulley | |
| 51 | 2 | 22671653/0 | Bricka | Washer | |
| 52 | 2 | 12155000/0 | Mutter | Nut | |
| 53 | 1 | 18400960/0 | Rear Axle Tuff Torq K46S | Rear Axle (Tuff Torq K46S) | |
| 54 | 4 | 12691800/0 | Skruv | Screw | |
| 55 | 4 | 12154210/0 | Mutter | Nut | |
| 56 | 1 | 82785149/0 | Stöd | Support | |
| 57 | 1 | 12691200/0 | Skruv | Right Screw | |
| 58 | 2 | 12521350/0 | Bricka | Washer | |
| 59 | 1 | 12155000/0 | Mutter | Nut | |
| 60 | 1 | 12792611/0 | Skruv | Screw | |
| 61 | 1 | 12293201/0 | Mutter | Nut | |
| 62 | 1 | 25318157/0 | Arm | Lever | |
| 63 | 1 | 12793102/0 | Skruv | Screw | |
| 64 | 1 | 12369500/0 | Bricka | Washer | |
| 65 | 1 | 25670011/0 | Bricka | Washer | |
| 66 | 1 | 12155000/0 | Mutter | Nut | |
| 67 | 1 | 25033033/0 | Länk | Rod | |
| 68 | 1 | 12604896/0 | Skruv | Crown Fastener | |
| 69 | 2 | 25160031/0 | Distans | Spacer | |
| 70 | 4 | 12521410/0 | Bricka | Washer | |
| 71 | 2 | 325670025/0 | Bricka | Washer | |
| 72 | 1 | 12792611/0 | Skruv | Screw | |
| 73 | 1 | 12293201/0 | Mutter | Nut | |
| 74 | 1 | 14361451/0 | Dekal | Label | |

ESTATE SENATOR HST

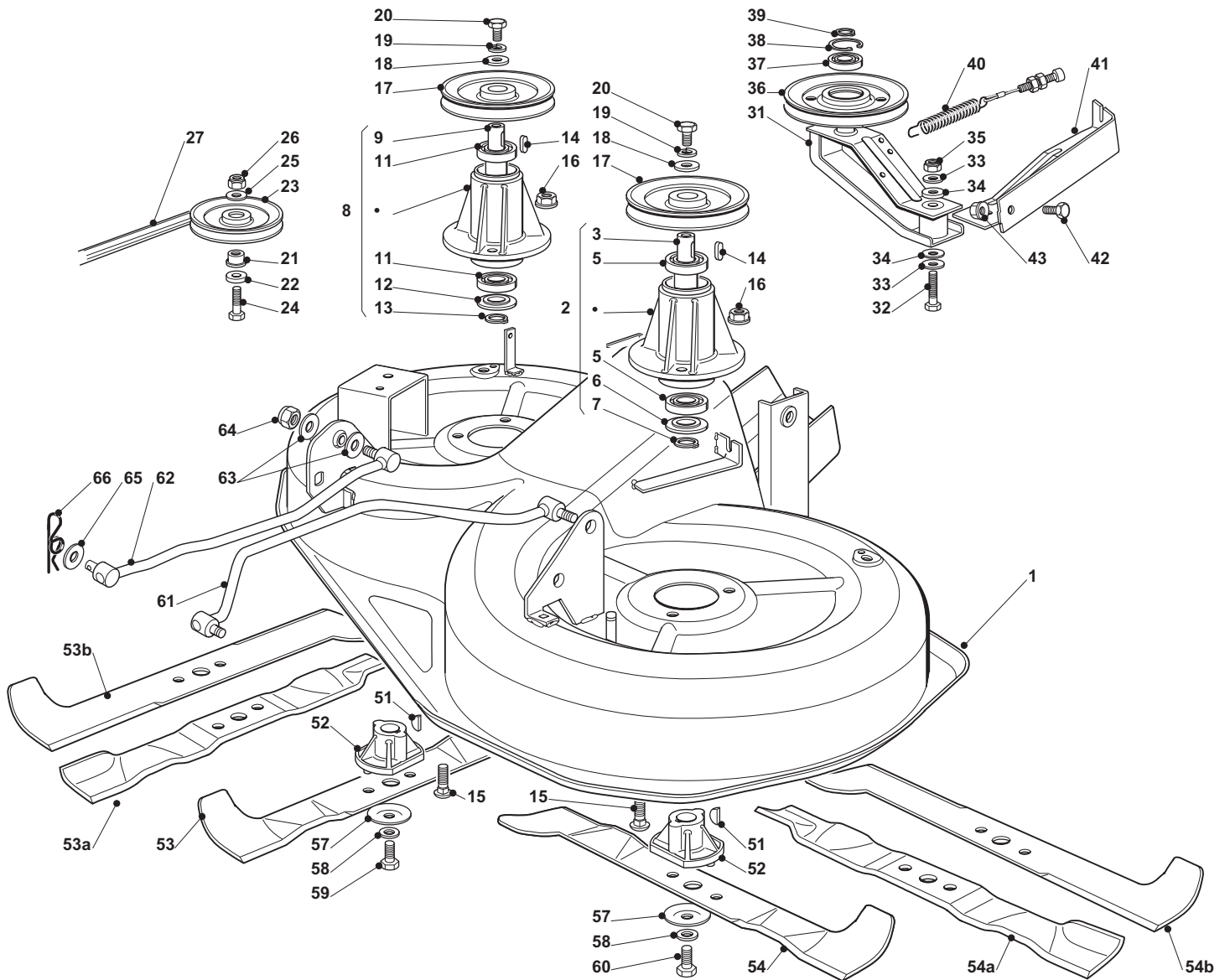




ESTATE SENATOR HST

| Pos. Fig. | Antal Quantity | Art No Part No | Benämning | Description | Anmärkning Notes |
|-----------|----------------|----------------|-----------|----------------|------------------|
| 1 | 1 | 82774249/0 | Fäste | Clamp | |
| 2 | 1 | 382318219/1 | Spak | Lever | |
| 3 | 1 | 25394508/0 | Handtag | Handle | |
| 4 | 1 | 12674700/0 | Skruv | Screw | |
| 5 | 1 | 12154510/0 | Mutter | Nut | |
| 6 | 1 | 25650113/0 | Trombocyt | Plate | |
| 7 | 2 | 12818690/0 | Skruv | Screw | |
| 8 | 2 | 12155000/0 | Mutter | Nut | |
| 9 | 2 | 22041980/0 | Distans | Spacer | |
| 10 | 2 | 12523060/0 | Bricka | Washer | |
| 11 | 1 | 12691600/0 | Skruv | Screw | |
| 12 | 1 | 12155000/0 | Mutter | Nut | |
| 13 | 1 | 25430259/0 | Fjäder | Spring | |
| 14 | 1 | 25735511/0 | Sector | Sector | |
| 15 | 2 | 12818690/0 | Skruv | Screw | |
| 16 | 2 | 12293201/0 | Mutter | Nut | |
| 17 | 1 | 82000387/0 | Axel | Axle | |
| 18 | 2 | 325547041/1 | Trombocyt | Plate | |
| 19 | 4 | 12731580/0 | Skruv | Screw | |
| 20 | 1 | 382000618/0 | Länk | Rod | |
| 21 | 1 | 25670011/0 | Bricka | Washer | |
| 22 | 1 | 24487998/0 | Låsnål | Cotter Pin | |
| 23 | 1 | 12523040/0 | Bricka | Washer | |
| 24 | 1 | 12154210/0 | Mutter | Nut | |
| 25 | 1 | 22446402/0 | Fjäder | Spring | |
| 26 | 1 | 12792410/0 | Skruv | Screw | |
| 27 | 2 | 12292102/0 | Mutter | Nut | |
| 28 | 1 | 82000537/0 | Vevstake | Connecting Rod | |
| 29 | 2 | 25670008/1 | Bricka | Washer | |
| 30 | 1 | 12156602/0 | Mutter | Nut | |
| 31 | 1 | 24487998/0 | Låsnål | Cotter Pin | |
| 32 | 1 | 25840025/0 | Stång | Tie Rod | |
| 33 | 1 | 25670008/1 | Bricka | Washer | |
| 34 | 1 | 24487998/0 | Låsnål | Cotter Pin | |
| 35 | 1 | 25510090/0 | Stift | Pin | |
| 36 | 1 | 12295200/0 | Mutter | Nut | |
| 37 | 1 | 12156602/0 | Mutter | Nut | |
| 38 | 2 | 25670008/1 | Bricka | Washer | |
| 39 | 1 | 12156602/0 | Mutter | Nut | |
| 40 | 2 | 12521360/0 | Bricka | Washer | |
| 41 | 1 | 82000385/0 | Axel | Axle | |
| 42 | 2 | 27546015/1 | Trombocyt | Plate | |
| 43 | 4 | 12731350/0 | Skruv | Screw | |
| 44 | 1 | 25840024/0 | Stång | Tie Rod | |
| 45 | 1 | 25670008/1 | Bricka | Washer | |
| 46 | 1 | 24487998/0 | Låsnål | Cotter Pin | |
| 47 | 1 | 25510098/0 | Stift | Pin | |
| 48 | 1 | 12295200/0 | Mutter | Nut | |
| 49 | 1 | 12156602/0 | Mutter | Nut | |
| 50 | 2 | 25670008/1 | Bricka | Washer | |
| 51 | 1 | 12156602/0 | Mutter | Nut | |
| 52 | 1 | 25840025/0 | Stång | Tie Rod | |
| 53 | 1 | 25670008/1 | Bricka | Washer | |
| 54 | 1 | 24487998/0 | Låsnål | Cotter Pin | |
| 55 | 1 | 25510090/0 | Stift | Pin | |
| 56 | 1 | 12295200/0 | Mutter | Nut | |
| 57 | 1 | 12156602/0 | Mutter | Nut | |
| 58 | 2 | 25670008/1 | Bricka | Washer | |
| 59 | 1 | 12156602/0 | Mutter | Nut | |

ESTATE SENATOR HST

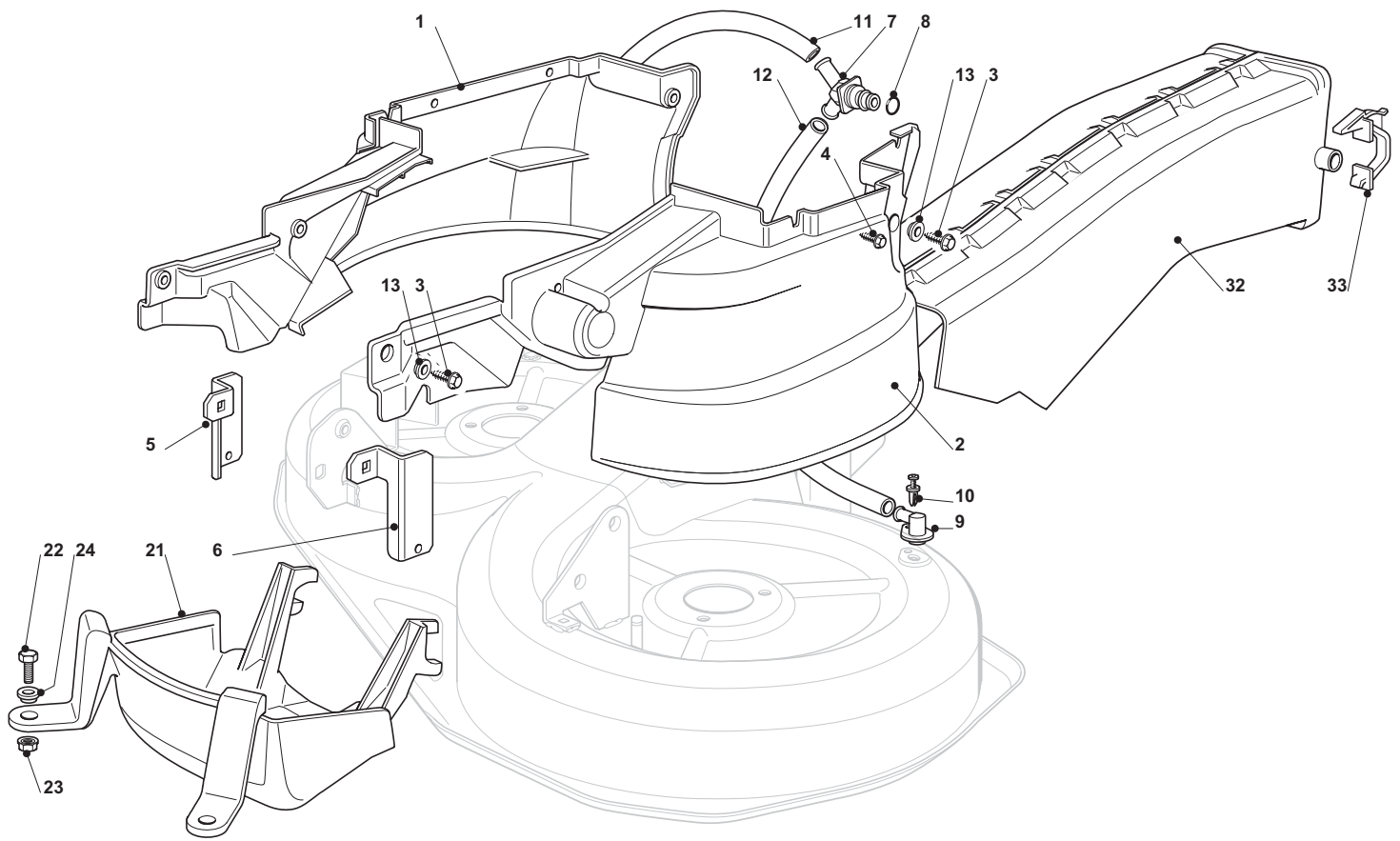




ESTATE SENATOR HST

| Pos. Fig. | Antal Quantity | Art No Part No | Benämning | Description | Anmärkning Notes |
|-----------|----------------|----------------|---------------|------------------------------|------------------|
| 1 | 1 | 82564075/0 | Plate, Black | Plate, Black | |
| 2 | 1 | 82207202/0 | Fläns | Left Flange Ass.Y | |
| 3 | 1 | 25020802/0 | Vevaxel | Shaft | |
| 5 | 2 | 119216047/0 | Kullager | Bearing | |
| 6 | 1 | 25160501/0 | Dammskydd | Dust Cover | |
| 7 | 1 | 12609260/0 | Seeger | Seeger | |
| 8 | 1 | 82207203/0 | Fläns | Right Flange Ass.Y | |
| 9 | 1 | 25020803/0 | Vevaxel | Shaft | |
| 11 | 2 | 119216047/0 | Kullager | Bearing | |
| 12 | 1 | 25160501/0 | Dammskydd | Dust Cover | |
| 13 | 1 | 12609260/0 | Seeger | Seeger | |
| 14 | 2 | 12139480/0 | Kil | Feather | |
| 15 | 6 | 12818700/0 | Skruv | Screw | |
| 16 | 6 | 12154210/0 | Mutter | Nut | |
| 17 | 2 | 25601563/0 | Remskiva | Pulley | |
| 18 | 2 | 25670007/0 | Bricka | Washer | |
| 19 | 2 | 12583500/0 | Bricka | Grower | |
| 20 | 2 | 12793102/0 | Skruv | Screw | |
| 21 | 1 | 25160007/0 | Distans | Spacer | |
| 22 | 1 | 25670007/0 | Bricka | Washer | |
| 23 | 1 | 25601555/0 | Remskiva | Pulley | |
| 24 | 1 | 12691115/0 | Skruv | Left Screw | |
| 25 | 1 | 12523060/0 | Bricka | Washer | |
| 26 | 1 | 12155000/0 | Mutter | Nut | |
| 27 | 1 | 35065701/0 | Drivrem | Belt | |
| 31 | 1 | 82318141/2 | Spak | Lever | |
| 32 | 1 | 12691700/0 | Skruv | Screw | |
| 33 | 2 | 12523070/0 | Bricka | Washer | |
| 34 | 2 | 22672152/0 | Bricka | Washer | |
| 35 | 1 | 12155000/0 | Mutter | Nut | |
| 36 | 1 | 25601564/0 | Remskiva | Pulley | |
| 37 | 1 | 119216048/0 | Kullager | Bearing | |
| 38 | 1 | 12610800/0 | Seegerring | Seeger | |
| 39 | 1 | 12609200/0 | Seegerring | Seeger | |
| 40 | 1 | 82004618/0 | Kabel | Wire | |
| 41 | 1 | 382774215/3 | Fäste | Clamp | |
| 42 | 1 | 12792611/0 | Skruv | Screw | |
| 43 | 1 | 12293201/0 | Mutter | Nut | |
| 51 | 2 | 12139100/0 | Kil | Feather, Crankshaft Ø 22.2 | |
| 52 | 2 | 25463200/0 | Knivfäste | Blade Hub | |
| 53b | 1 | 82004345/1 | Kniv | Right Blade, Winged | |
| 53 | 1 | 82004352/0 | Kniv | Right Blade Mulching | |
| 53a | 1 | 82004354/0 | Kniv | Right Blade Mulching, Winged | |
| 54 | 1 | 81004346/3 | Kniv | Blade Standard | |
| 54b | 1 | 82004344/1 | Kniv | Left Blade, Winged | |
| 54a | 1 | 82004353/0 | Kniv | Left Blade Mulching, Winged | |
| 57 | 2 | 22160400/0 | Dammskydd | Dust Cover | |
| 58 | 2 | 12523080/0 | Bricka | Washer | |
| 59 | 1 | 12735695/1 | Skruv | Screw | |
| 60 | 1 | 12735694/0 | Skruv | Screw | |
| 61 | 1 | 82000535/0 | Equalizer Rod | Equalizer Rod | |
| 62 | 1 | 82000533/0 | Equalizer Rod | Equalizer Rod | |
| 63 | 4 | 25670008/1 | Bricka | Washer | |
| 64 | 2 | 12156602/0 | Mutter | Nut | |
| 65 | 2 | 25670008/1 | Bricka | Washer | |
| 66 | 2 | 24487998/0 | Låsnål | Cotter Pin | |

ESTATE SENATOR HST

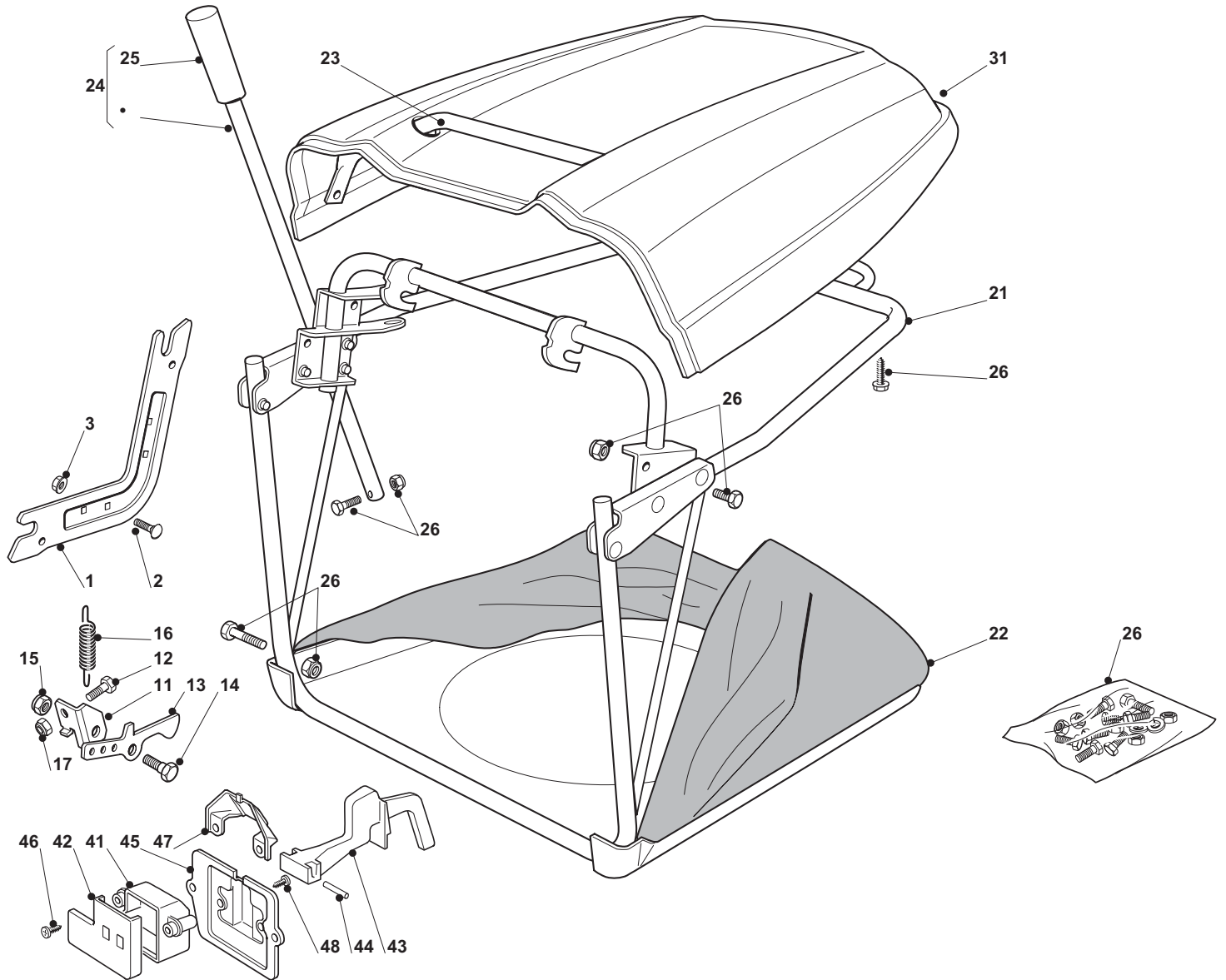




ESTATE SENATOR HST

| Pos. Fig. | Antal Quantity | Art No Part No | Benämning | Description | Anmärkning Notes |
|-----------|----------------|----------------|-----------------------|-----------------------|------------------|
| 1 | 1 | 25060121/0 | Hus | Case | |
| 2 | 1 | 25060122/0 | Hus | Case | |
| 3 | 6 | 12735122/0 | Skruv | Screw | |
| 4 | 4 | 12728535/0 | Skruv | Screw | |
| 5 | 1 | 25774381/0 | Fäste | Bracket | |
| 6 | 1 | 25774383/0 | Fäste | Bracket | |
| 7 | 1 | 25033066/0 | Water Hose Connection | Water Hose Connection | |
| 8 | 1 | 19035000/0 | O-ring | Or Ring | |
| 9 | 2 | 25033065/0 | Water Hose Connection | Water Hose Connection | |
| 10 | 2 | 12500030/0 | Rivet | Rivet | |
| 11 | 1 | 25869069/0 | Vevstake | Connecting Tube | |
| 12 | 1 | 25869068/0 | Vevstake | Connecting Tube | |
| 13 | 6 | 325160039/0 | Distans | Spacer | |
| 21 | 1 | 25060127/0 | Hus | Case | |
| 22 | 2 | 12791400/0 | Skruv | Screw | |
| 23 | 2 | 12154510/0 | Mutter | Nut | |
| 24 | 2 | 325160039/0 | Distans | Spacer | |
| 32 | 1 | 382108008/0 | Inmatningstratt | Conveyor | |
| 33 | 2 | 25774373/0 | Fäste | Clamp | |

ESTATE SENATOR HST

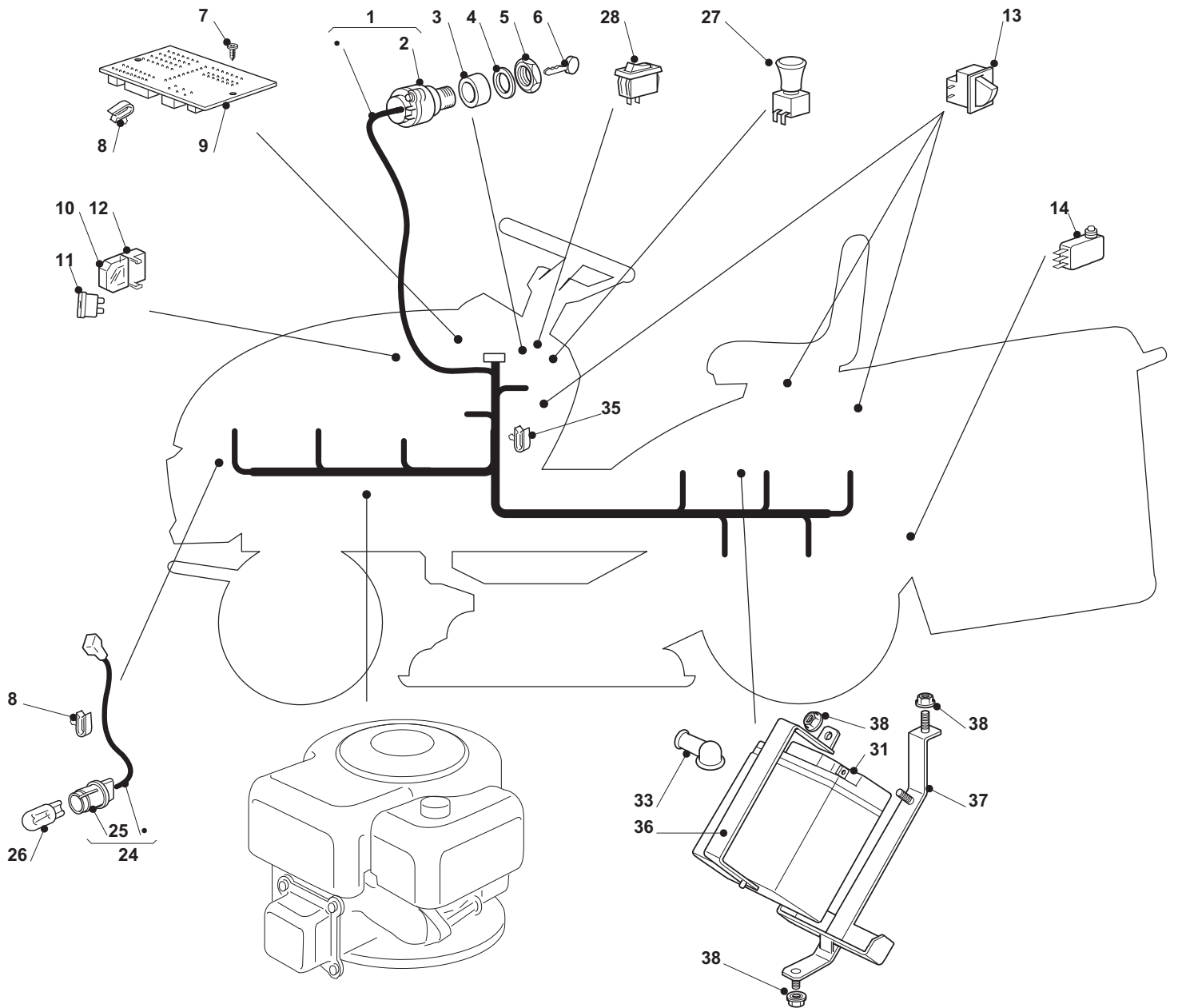




ESTATE SENATOR HST

| Pos. Fig. | Antal Quantity | Art No Part No | Benämning | Description | Anmärkning Notes |
|-----------|----------------|----------------|----------------------|-----------------------------|------------------|
| 1 | 2 | 25785275/0 | Stöd | Support | |
| 2 | 4 | 12818690/0 | Skruv | Screw | |
| 3 | 4 | 12293201/0 | Mutter | Nut | |
| 11 | 1 | 325755031/1 | Fäste | Bracket | |
| 12 | 1 | 12789000/0 | Skruv | Screw | |
| 13 | 1 | 325774315/1 | Fäste | Bracket | |
| 14 | 1 | 125510080/1 | Stift | Pin | |
| 15 | 1 | 12292102/0 | Mutter | Nut | |
| 16 | 1 | 22450432/0 | Fjäder | Spring | |
| 17 | 1 | 12154330/0 | Mutter | Nut | |
| 21 | 1 | 82800111/0 | Chassi | Front Frame | |
| 22 | 1 | 82105973/0 | Uppsamlare | Grasscatcher | |
| 23 | 1 | 82394003/0 | Handtag | Front Handle | |
| 24 | 1 | 82869023/0 | Rör | Rod | |
| 25 | 1 | 25394508/0 | Handtag | Handle | |
| 26 | 1 | 82180048/0 | Skruvsats | Screws Outfit | |
| 31 | 1 | 25110319/0 | Kåpa | Grass-Catcher Cover, Yellow | |
| 41 | 1 | 25600041/0 | Skydd | Micro Protection | |
| 42 | 1 | 25600042/0 | Överbelastningsskydd | Protection Cover | |
| 43 | 1 | 25318124/0 | Arm | Lever | |
| 44 | 1 | 12400030/0 | Stift | Pin | |
| 45 | 1 | 25785272/0 | Knivskydd | Micro Protection | |
| 46 | 1 | 12728510/0 | Skruv | Screw | |
| 47 | 1 | 25600048/0 | Överbelastningsskydd | Protection Cover | |
| 48 | 2 | 12735110/0 | Skruv | Screw | |

ESTATE SENATOR HST

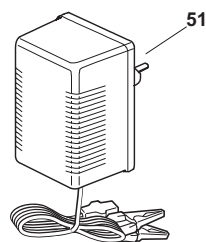
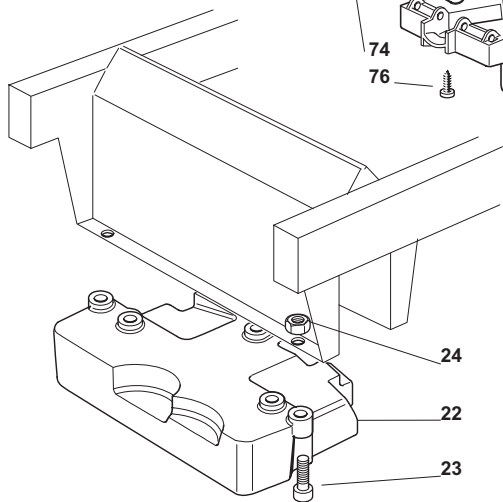
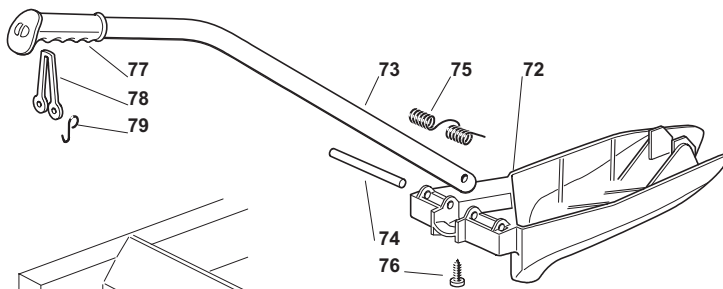
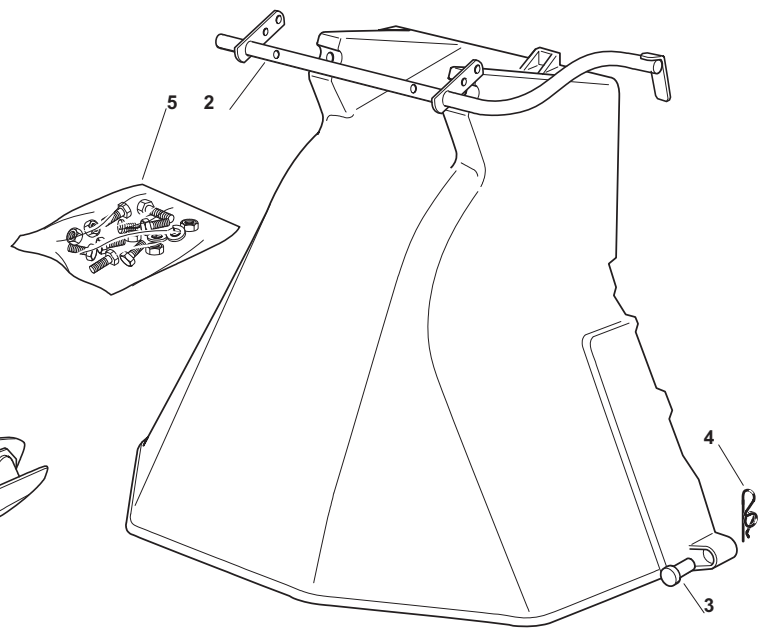
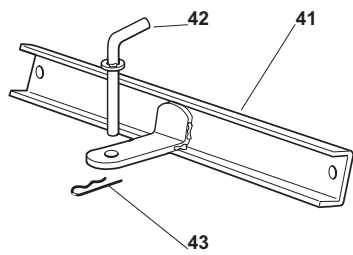




ESTATE SENATOR HST

| Pos. Fig. | Antal Quantity | Art No Part No | Benämning | Description | Anmärkning Notes |
|-----------|----------------|----------------|---------------------|-------------------------|------------------|
| 1 | 1 | 182040153/0 | Kabel | Cables Ass.Y | |
| 2 | 1 | 18450072/0 | Brytare | Starting Switch | |
| 3 | 1 | 18550136/0 | Distans | Spacer | |
| 4 | 1 | 18550135/0 | Bricka | Washer | |
| 5 | 1 | 18400862/0 | Ringmutter | Ringnut | |
| 6 | 1 | 18210022/0 | Starting Key | Starting Key | |
| 7 | 3 | 12727810/0 | Skruv | Screw | |
| 8 | 2 | 33320506/0 | Kabelhållare | Fairled | |
| 9 | 1 | 125722430/1 | Elektroniska kort | Electronic Card (1 Led) | |
| 10 | 2 | 33215000/0 | Kåpa | Cover | |
| 11 | 1 | 33340036/0 | Säkring | Fuse 25 A | |
| 11 | 1 | 33340040/0 | Säkring | Fuse 10A | |
| 12 | 2 | 33500007/0 | Säkring | Fuse Carrier | |
| 13 | 3 | 119410615/0 | Brytare | Micro | |
| 14 | 1 | 19410605/1 | Brytare | Full Grasscat. Microsw. | |
| 24 | 1 | 82040073/0 | Kabel | Cable | |
| 25 | 2 | 33500030/0 | Lamp Holder | Lamp Holder | |
| 26 | 2 | 18459100/0 | Farilamp For Lights | Farilamp For Lights | |
| 27 | 1 | 18450068/0 | Kopplingshus | Clutch Switch | |
| 28 | 1 | 18450060/1 | Farilamp Switch | Farilamp Switch | |
| 31 | 1 | 18120002/1 | Batteri | Battery | |
| 33 | 1 | 18564861/1 | Tätningshylsa | Protection | |
| 35 | 9 | 33320506/0 | Kabelhållare | Fairled | |
| 36 | 1 | 27772099/1 | Fäste | Clamp | |
| 37 | 1 | 382785191/0 | Batteriplatta | Battery Support | |
| 38 | 3 | 12155000/0 | Mutter | Nut | |

ESTATE SENATOR HST

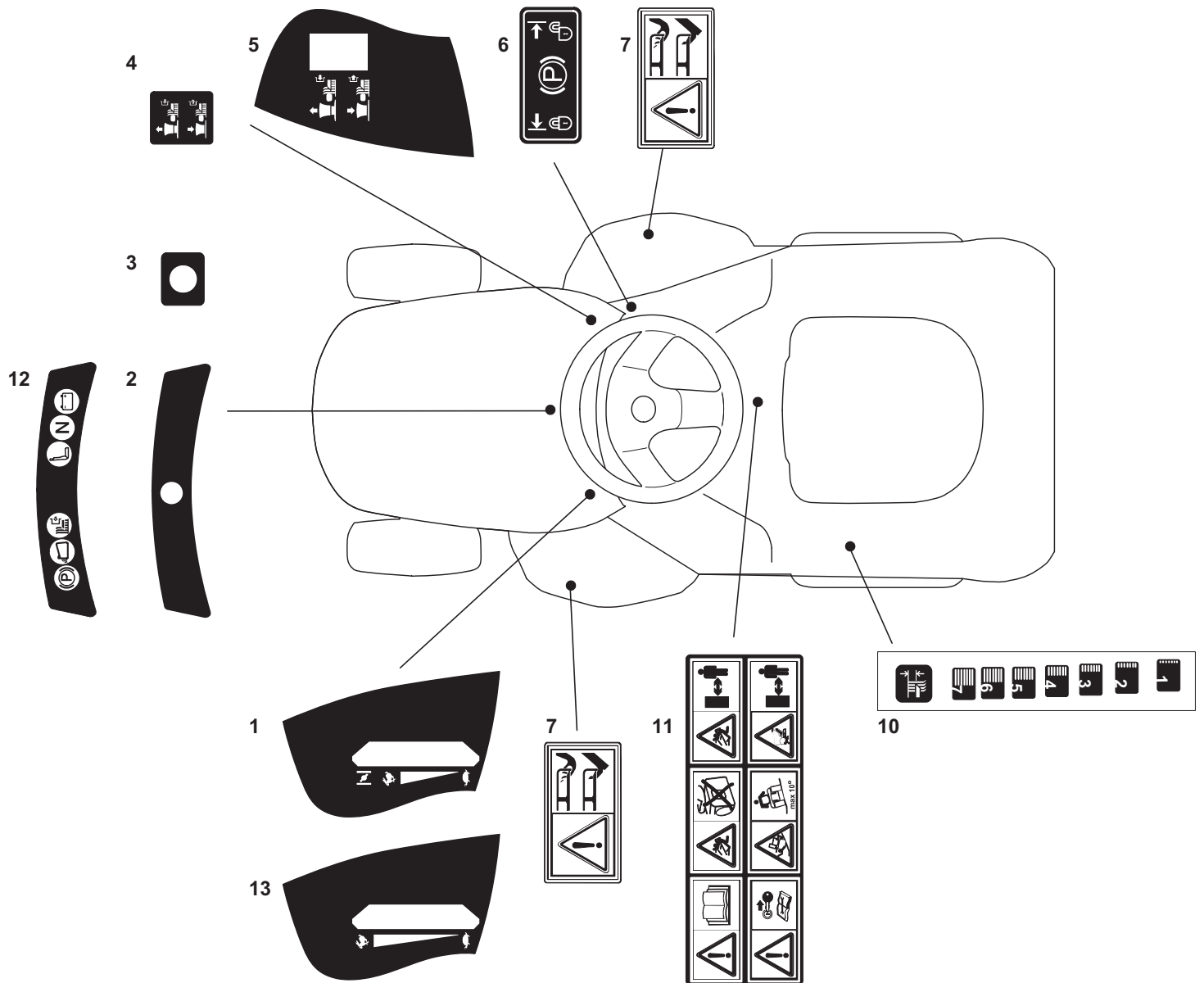




ESTATE SENATOR HST

| Pos. Fig. | Antal Quantity | Art No Part No | Benämning | Description | Anmärkning Notes |
|-----------|----------------|----------------|----------------|-----------------|------------------|
| 2 | 1 | 82869035/0 | Stöd | Support | |
| 3 | 2 | 25510022/0 | Stift | Pin | |
| 4 | 2 | 24487998/0 | Låsnål | Cotter Pin | |
| 5 | 1 | 82180062/0 | Skruvsats | Screws Outfit | |
| 22 | 1 | 25519997/1 | Weight | Weight | |
| 23 | 3 | 12760520/0 | Skruv | Screw | |
| 24 | 3 | 12155000/0 | Mutter | Nut | |
| 42 | 1 | 25510021/1 | Stift | Pin | |
| 43 | 1 | 24487999/0 | Låsnål | Cotter Pin | |
| 51 | 1 | 182180090/0 | Batteriladdare | Battery Charger | |
| 72 | 1 | 25140093/0 | Deflektor | Deflector | |
| 73 | 1 | 25394007/0 | Styre | Handle | |
| 74 | 1 | 25510077/0 | Stift | Pin | |
| 75 | 1 | 25430245/0 | Fjäder | Spring | |
| 76 | 1 | 12735410/0 | Skruv | Screw | |
| 77 | 1 | 25280000/1 | Handtag | Handgrip | |
| 78 | 1 | 25840011/1 | Stång | Elastic Tie-Rod | |
| 79 | 2 | 25253004/0 | Hake | Hook | |

ESTATE SENATOR HST

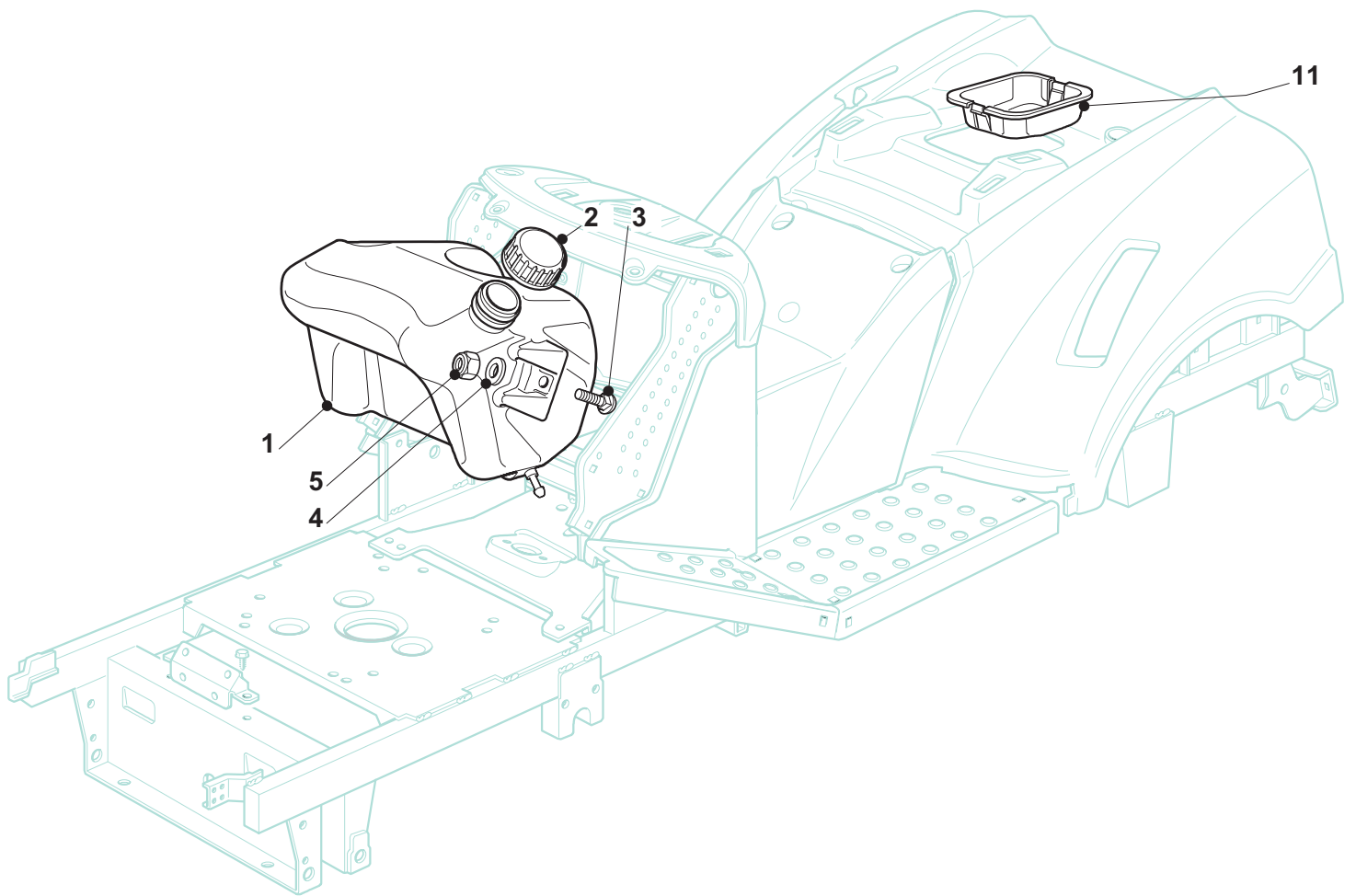




ESTATE SENATOR HST

| Pos. Fig. | Antal Quantity | Art No Part No | Benämning | Description | Anmärkning Notes |
|-----------|----------------|----------------|-----------|-------------|------------------|
| 1 | 1 | 14361440/0 | Dekal | Label | |
| 2 | 1 | 25420019/0 | Dekal | Label | |
| 5 | 1 | 14361439/0 | Dekal | Label | |
| 6 | 1 | 14361452/0 | Dekal | Label | |
| 7 | 2 | 114356699/1 | Dekal | Label | |
| 10 | 1 | 14361441/0 | Dekal | Label | |
| 11 | 1 | 14361553/0 | Dekal | Label | |

ESTATE SENATOR HST

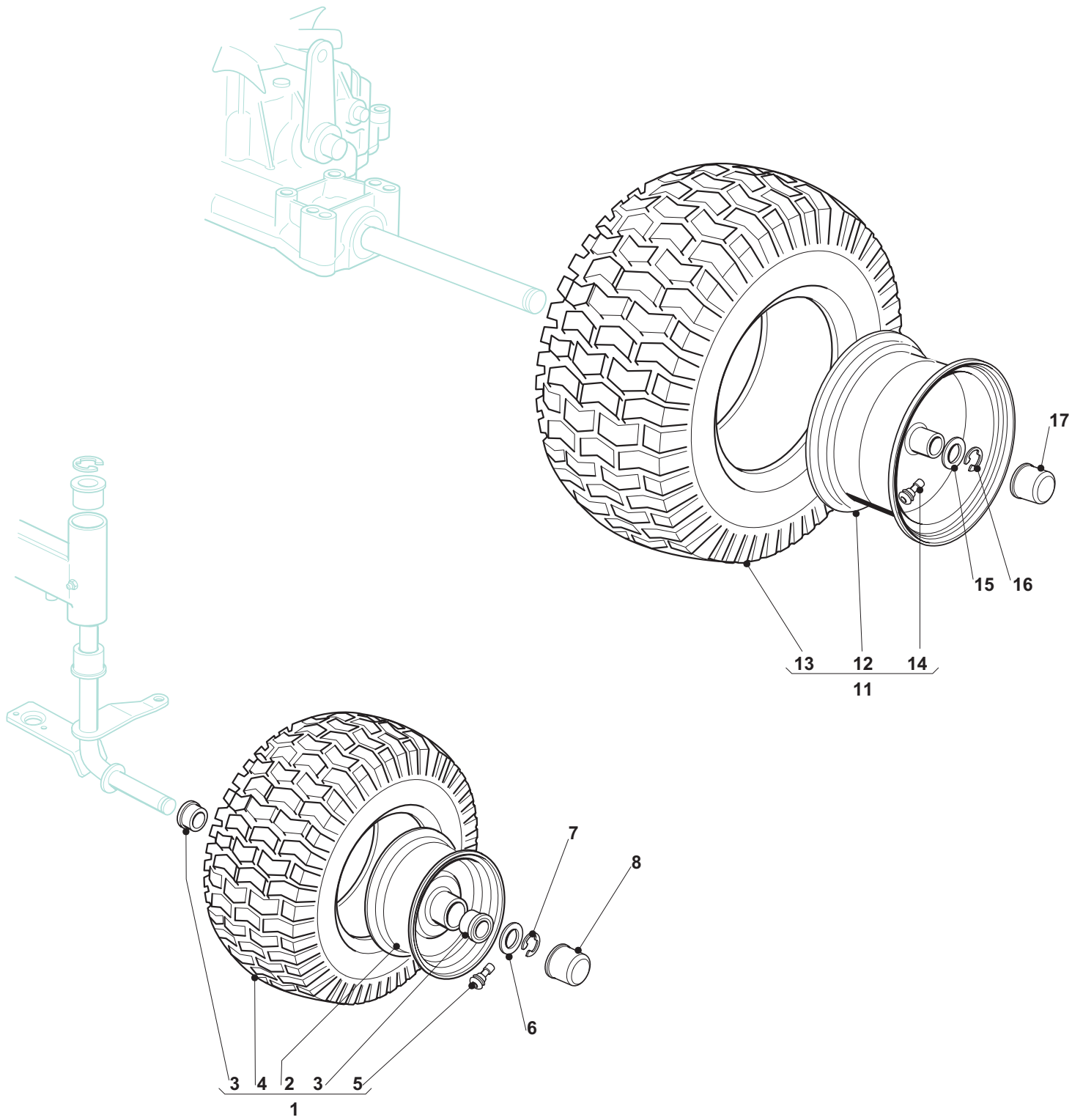




ESTATE SENATOR HST

| Pos. Fig. | Antal Quantity | Art No Part No | Benämning | Description | Anmärkning Notes |
|-----------|----------------|----------------|-----------|-------------|------------------|
| 1 | 1 | 325735128/0 | Tank | Tank | |
| 2 | 1 | 25795001/1 | Lock | Cap | |
| 3 | 2 | 12815210/0 | Skruv | Screw | |
| 4 | 2 | 325160039/0 | Distans | Spacer | |
| 5 | 2 | 12154510/0 | Mutter | Nut | |
| 11 | 1 | 325207176/0 | Kåpa | Basin | |

ESTATE SENATOR HST





ESTATE SENATOR HST

| Pos. Fig. | Antal Quantity | Art No Part No | Benämning | Description | Anmärkning Notes |
|-----------|----------------|----------------|--------------|----------------|------------------|
| 1 | 2 | 82680008/1 | Framhjul Kpl | Front Wheel | |
| 2 | 2 | 82000590/1 | Rimm | Rimm | |
| 3 | 4 | 25122200/2 | Kullager | Bearing | |
| 4 | 2 | 27590053/0 | Dack | Shoe Deli Tire | |
| 5 | 2 | 25950000/0 | Ventil | Valve | |
| 6 | 2 | 25670005/1 | Bricka | Washer | |
| 7 | 2 | 12001000/0 | Låsring | Snap Ring | |
| 8 | 2 | 22110230/0 | Huvstöd | Cap | |
| 11 | 2 | 82680006/0 | Bakrehjul | Rear Wheel | |
| 12 | 2 | 82000592/0 | Rimm | Rimm | |
| 13 | 2 | 25590003/0 | Dack | Tire | |
| 14 | 2 | 25950000/0 | Ventil | Valve | |
| 15 | 2 | 25670005/1 | Bricka | Washer | |
| 16 | 2 | 12001010/0 | Låsring | Benzing | |
| 17 | 2 | 22110230/0 | Huvstöd | Cap | |