

# Parts Catalogue

for model  
**ES 414 TR**

- Use GLOBAL GARDEN PRODUCT Genuine Spare Parts specified in the parts list for repair and/or replacement.
- The contents described in the parts list may change due to improvement.
- The drawings of the spare parts are only indicative and might not represent the part in question exactly.
- The indications "right" - "left" - "front" - "rear" refer to the position of the operator when using the machine.
- When placing orders of parts for repair and/or replacement, make sure that the illustrated parts list is the one applying to the machine's year of manufacture, as shown on the identification plate attached to the machine.

© Copyright 2017 Global Garden Products

All content is subject to copyright by Global Garden Products and may not be reproduced in whole or in part by any means, electronic or otherwise, without prior written approval.

THIS INFORMATION IS NOT INTENDED FOR SALE OR RESALE, AND THIS NOTICE MUST REMAIN ON ALL COPIES.



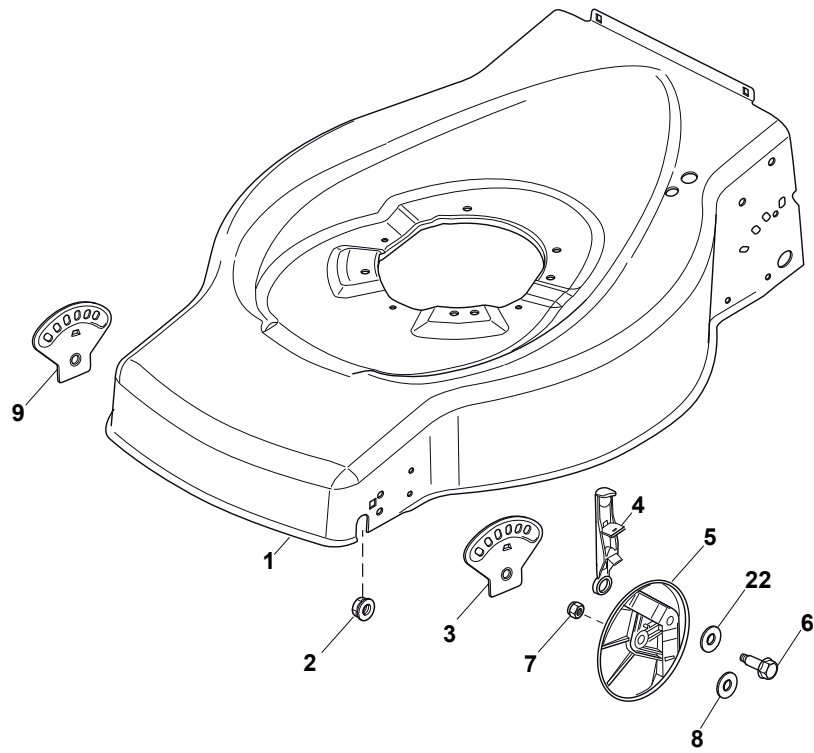


Fig.	Q.ty	Part No	Description	Notes
1	1	381004883/0	Red Deck	
2	2	122131750/0	Nut	
3	1	322735561/0	Sector, Height Adjustment Left	
4	2	381003306/0	Lever, Height Adjustment	
5	2	322600170/0	Protection, Wheel	
6	2	122524324/0	Pin	
7	2	112155000/0	Nut	
8	2	325670011/0	Antifriction Washer	
9	1	322735559/0	Sector, Height Adjustment Right	
22	2	112530150/0	Spring Washer	

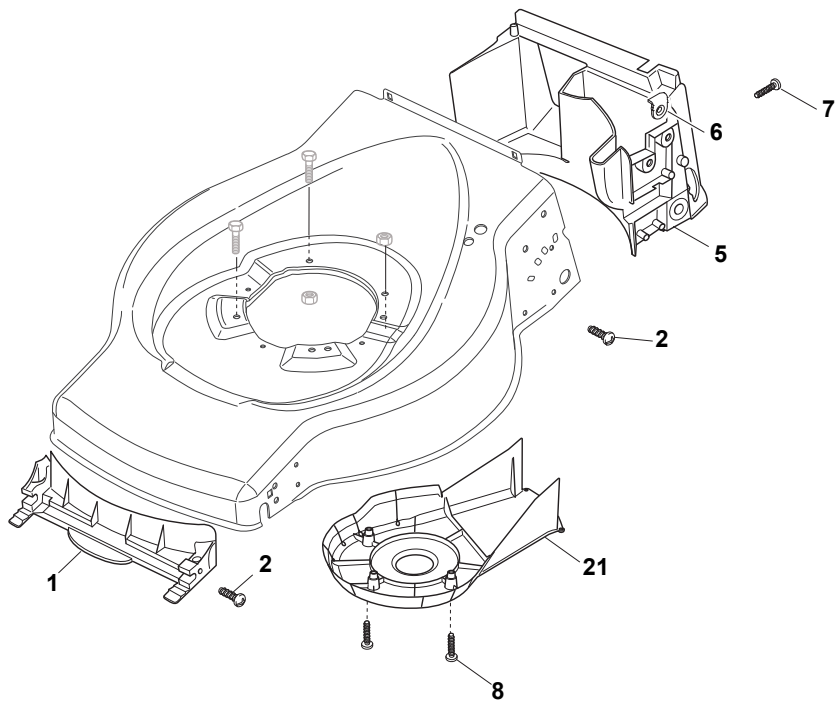


Fig.	Q.ty	Part No	Description	Notes
1	1	322108273/1	Front Conveyor Assy	
2	6	112728686/0	Screw	
5	1	322108391/0	Rear Conveyor Assy	
6	4	322545189/0	Plate	
7	2	112728686/0	Screw	
8	2	112735645/0	Screw	
21	1	322060301/0	Protection, Belt	

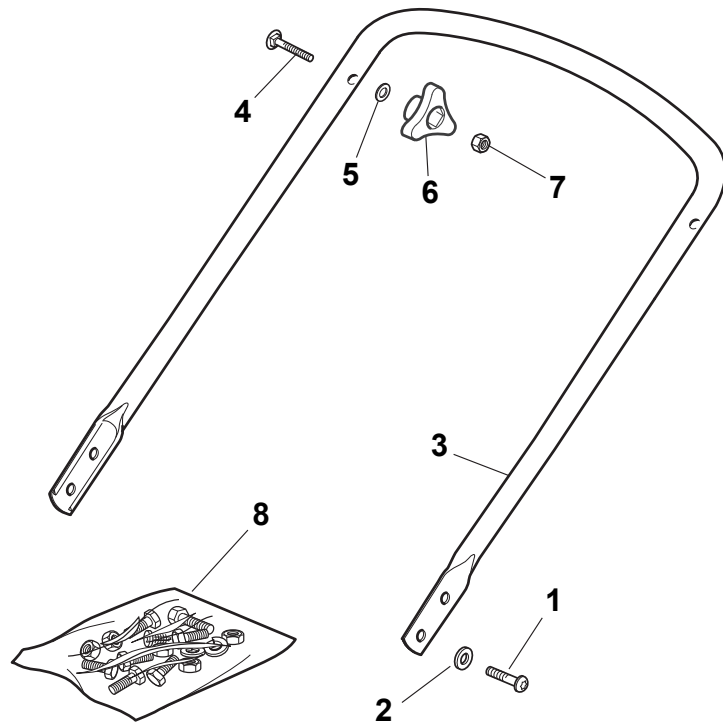


Fig.	Q.ty	Part No	Description	Notes
1	4	112760605/0	Screw	
2	4	112521350/0	Washer	
3	1	381006568/0	Handle Lower Part	
4	1	112819120/0	Screw	
5	2	122671651/0	Washer	
6	2	122399900/0	Black Knob	
7	2	112293200/0	Nut	
8	1	381008696/0	Outfit, Screws	

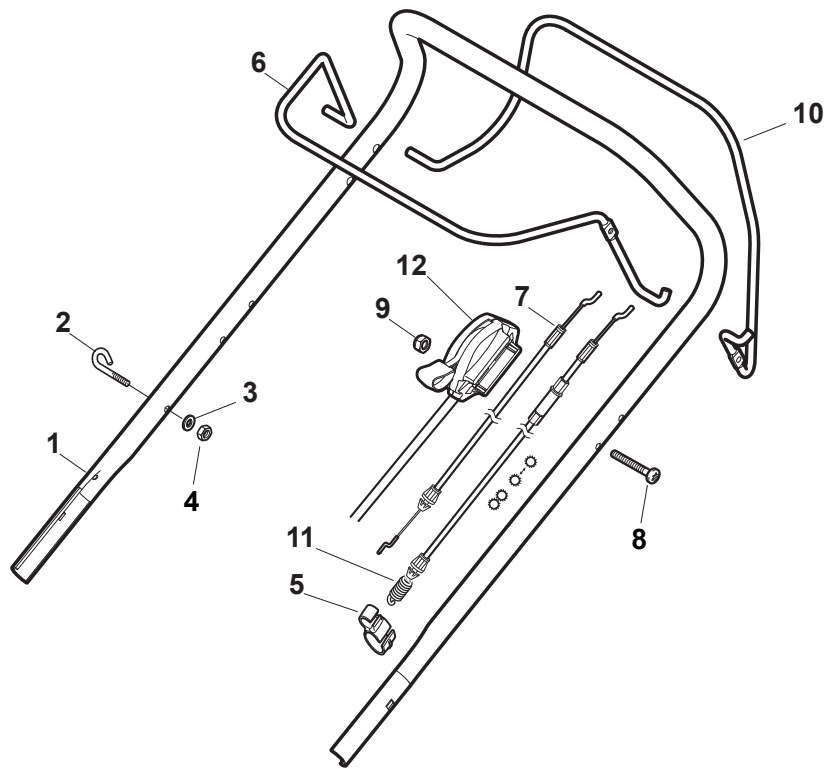




Fig.	Q.ty	Part No	Description	Notes
1	1	381006739/1	Handle, Upper Part	Black
1	1	381006745/1	Handle, Upper Part With Sponge Handgrip	Black with sponge handgrip
1	1	381006753/0	Handle, Upper Part Yellow	Yellow
2	1	122430313/0	Guide Spring	
3	1	112521330/0	Washer	
4	1	112154510/0	Nut	
5	1	118390020/0	Conduit Clip	
6	1	181003363/1	Lever, Engine Brake Black	Black
6	1	381003365/0	Lever, Engine Brake Yellow	Yellow
6	1	381003376/0	Lever, Engine Brake Red	Red
7	1	181030054/0	Cable, Thread Engine Brake	GGP Engine
7	1	181030056/0	Cable, Thread Engine Brake	B&S Engine
7	1	181030087/0	Cable, Thread Engine Brake	GGP 100cc Engine
8	1	112727788/0	Screw	
9	1	112154510/0	Nut	
10	1	181003364/0	Drive Control Lever	Black
10	1	381003366/0	Lever, Driving Yellow	Yellow
10	1	381003377/0	Drive Control Lever	Red
11	1	381030082/0	Cable Rear Drive	
12	1	181005502/1	Throttle Cable	B&S Engine
12	1	181005504/1	Throttle Cable	SV40 / RV 40 / V35 Engine

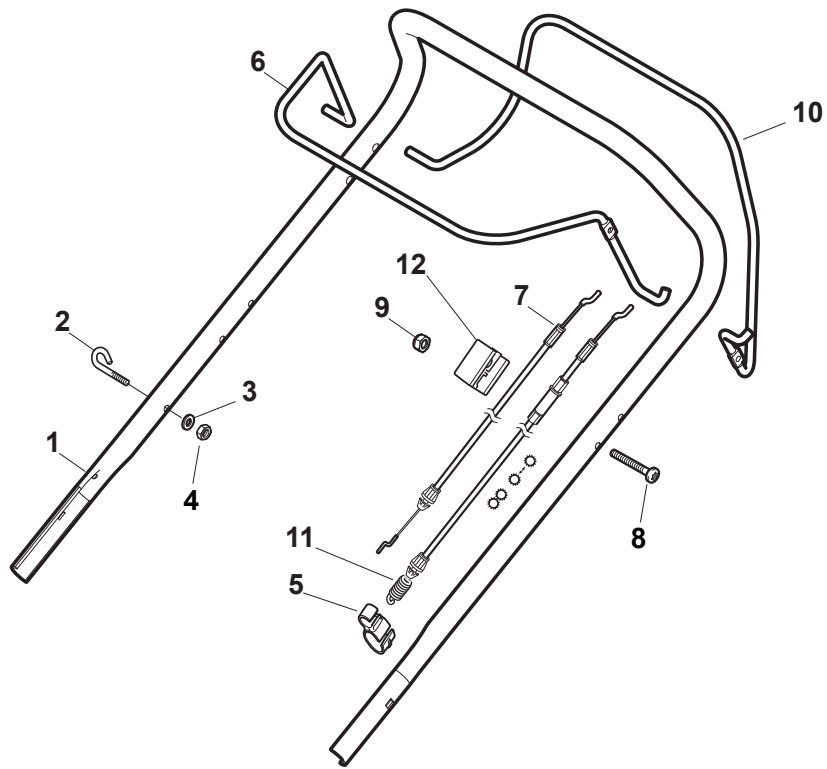


Fig.	Q.ty	Part No	Description	Notes
1	1	381006739/1	Handle, Upper Part	Black
1	1	381006745/1	Handle, Upper Part With Sponge Handgrip	Black with sponge handgrip
1	1	381006753/0	Handle, Upper Part Yellow	Yellow
2	1	122430313/0	Guide Spring	
3	1	112521330/0	Washer	
4	1	112154510/0	Nut	
5	1	118390020/0	Conduit Clip	
6	1	181003363/1	Lever, Engine Brake Black	Black
6	1	381003365/0	Lever, Engine Brake Yellow	Yellow
6	1	381003376/0	Lever, Engine Brake Red	Red
7	1	181030054/0	Cable, Thread Engine Brake	GGP Engine
7	1	181030056/0	Cable, Thread Engine Brake	B&S Engine
7	1	181030087/0	Cable, Thread Engine Brake	GGP 100cc Engine
8	1	112727783/0	Screw	
9	1	112154510/0	Nut	
10	1	181003364/0	Drive Control Lever	Black
10	1	381003366/0	Lever, Driving Yellow	Yellow
10	1	381003377/0	Drive Control Lever	Red
11	1	381030082/0	Cable Rear Drive	
12	1	322551640/0	Plate	

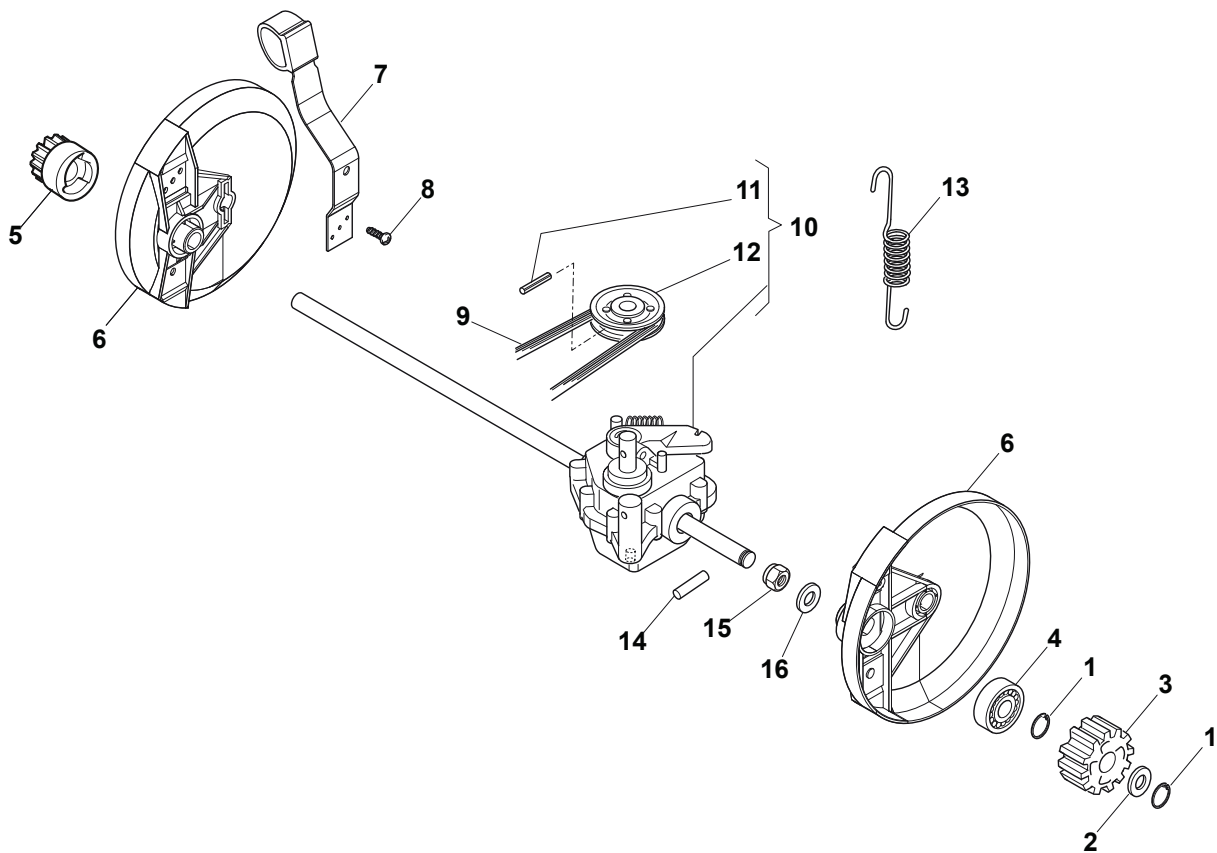
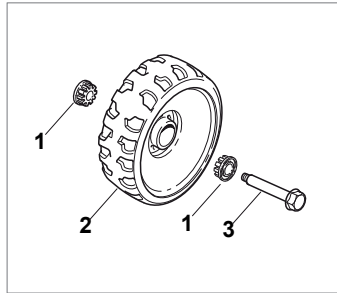
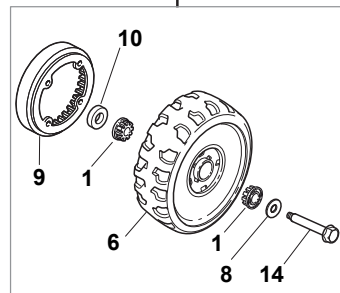
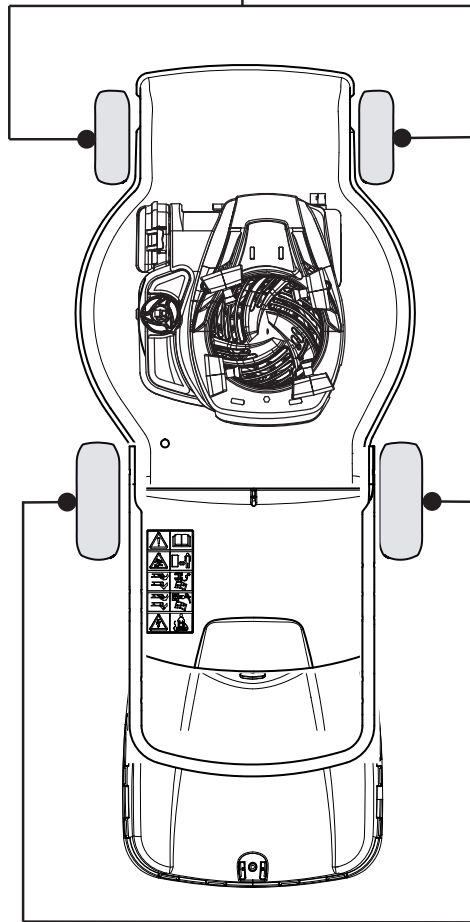
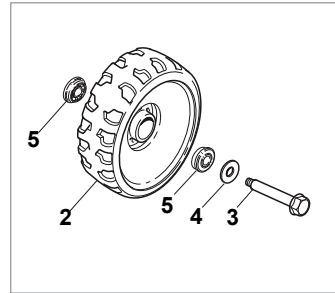


Fig.	Q.ty	Part No	Description	Notes
1	4	112608600/0	Seeger	
2	2	112521370/0	Washer	
3	2	322570136/0	Left Pinion	
4	2	119216035/0	Bearing	
5	2	322570135/0	Right Pinion	
6	2	322600348/0	Protection, Wheel	
7	2	381003303/0	Lever, Height Adjustment	
8	4	112728689/0	Screw	
9	1	135063710/0	Belt	
10	1	181003124/0	Gear Box	
11	1	112645705/0	Elastic Pin	
12	1	122601909/0	Pulley	
13	1	122430254/0	Spring	
14	2	122753000/0	Pin	
15	2	112155000/0	Nut	
16	2	325670011/0	Antifriction Washer	

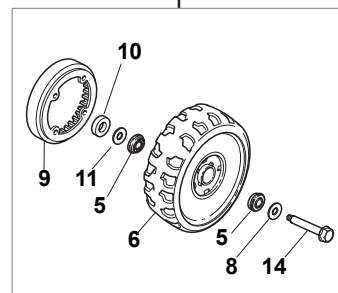
BUSHING Version - Ø 165



BALL BEARING Version - Ø 165



BUSHING Version - Ø 190



BALL BEARING Version - Ø 190

Fig.	Q.ty	Part No	Description	Notes
1	8	122034508/0	Bushing	
2	4	322686091/1	Wheel	
3	4	122524341/0	Pin	
4	4	122675100/0	Washer	
5	8	122122200/0	Bearing	
6	4	381007468/0	Wheel Assy with Crown	
8	2	112523050/0	Washer	
9	2	322120109/0	Wheels Crown	
10	2	322170622/0	Spacer	
11	2	122675100/0	Washer	
14	2	112735599/0	Screw	

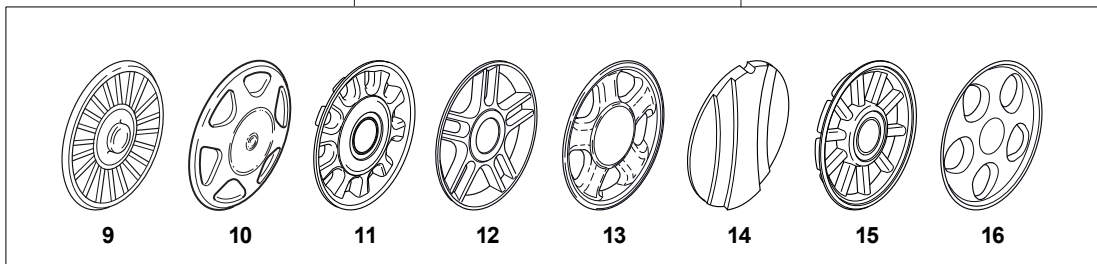
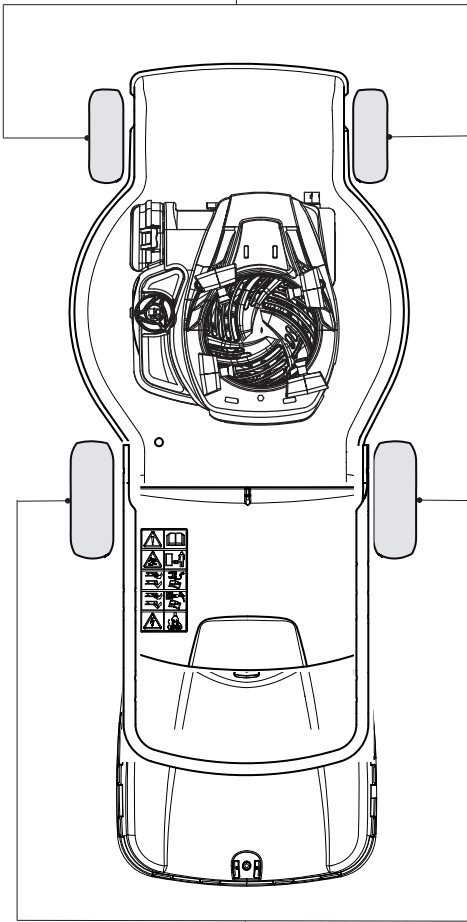
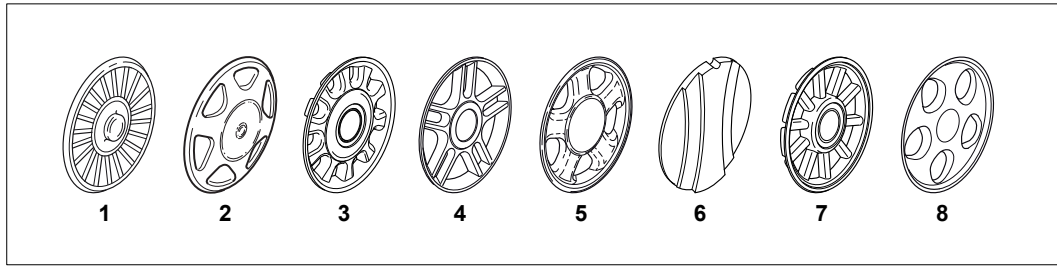




Fig.	Q.ty	Part No	Description	Notes
1	2	322110347/0	Hub Cap Grey	
2	2	322110395/0	Hub Cap Grey	
3	2	322110493/0	Hub Cap Grey	
4	2	322110491/0	Hub Cap Grey	
5	2	322110381/0	Hub Cap Grey	
6	2	122110252/1	Hub Cap White	
6	2	122110254/1	Hub Cap Yellow	
6	2	122110255/1	Hub Cap Red	
7	2	322110495/0	Hub Cap Grey	
8	2	322110416/0	Hub Cap Grey	
9	2	322110348/0	Hub Cap Grey	
10	2	322110314/0	Hub Cap Grey	
11	2	322110494/0	Hub Cap Grey	
12	2	322110491/0	Hub Cap Grey	
13	2	322110382/0	Hub Cap Grey	
14	2	122110251/0	Hub Cap White	
14	2	122110253/0	Hub Cap Yellow	
14	2	122110256/0	Hub Cap Red	
15	2	322110496/0	Hub Cap Grey	
16	2	322110416/0	Hub Cap Grey	

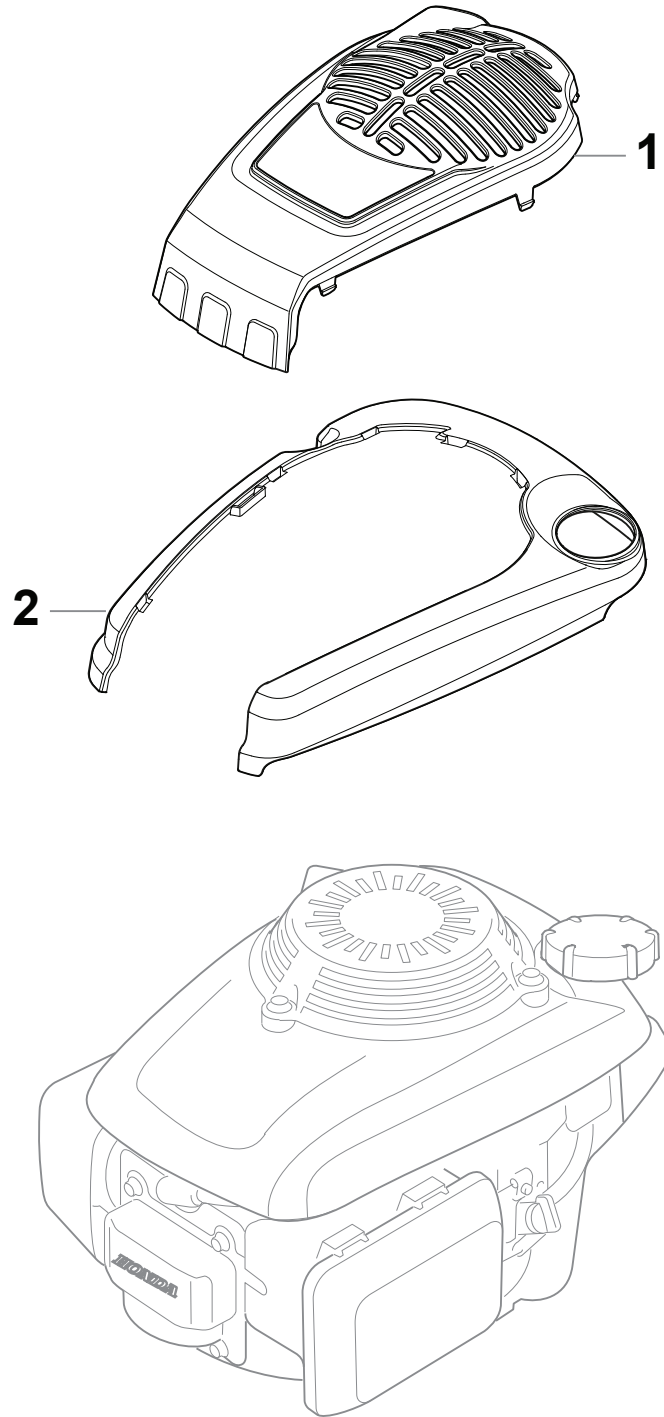


Fig.	Q.ty	Part No	Description	Notes
1	1	322055514/0	Grey Cover	
2	1	322055515/1	Yellow Engine Cowling	

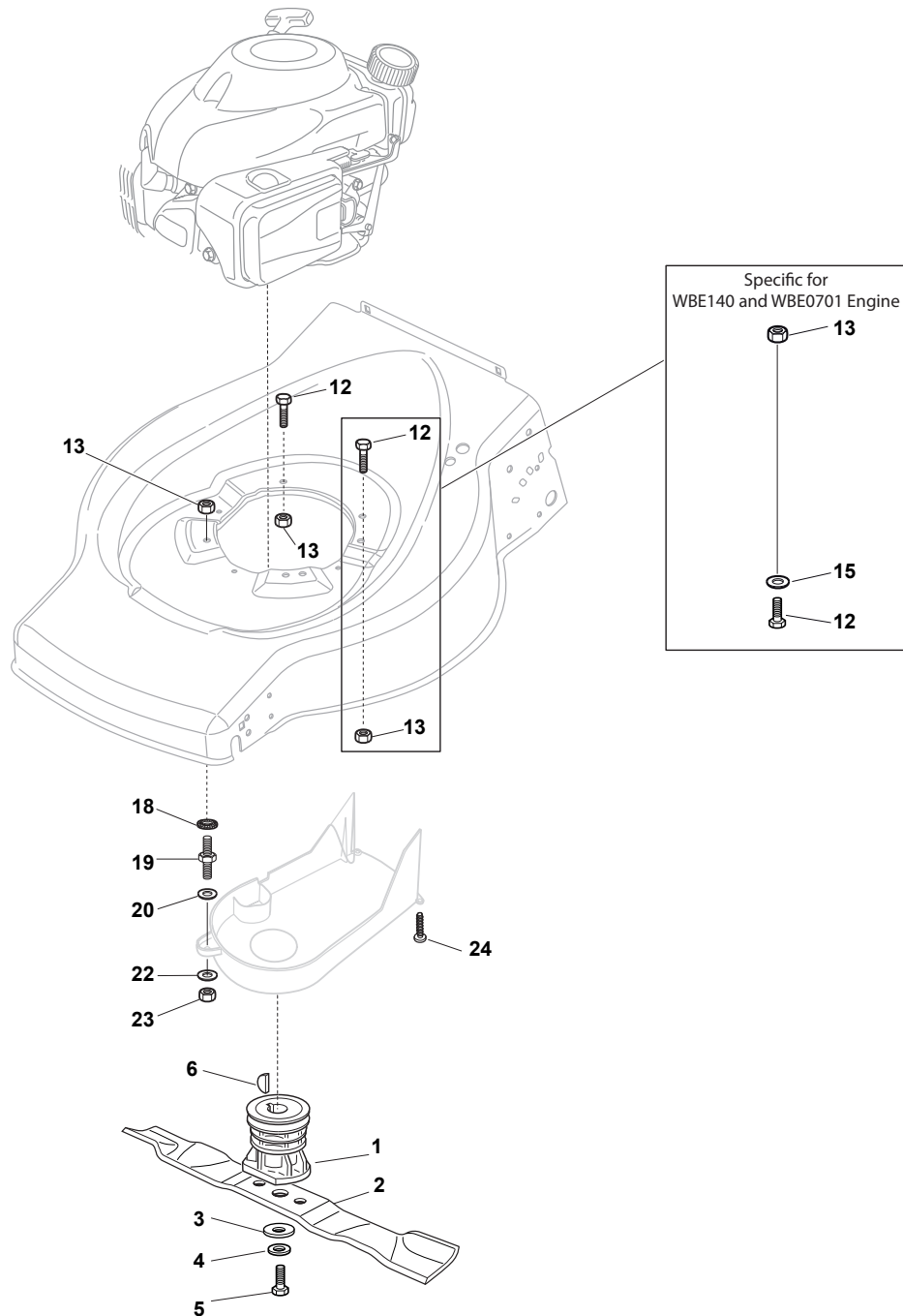


Fig.	Q.ty	Part No	Description	Notes
1	1	122465607/3	Hub With Pulley, Crankshaft Ø 22.2	
2	1	181004360/3	Mulching Blade	
3	1	122160400/0	Elastic Disc	
4	1	112523080/0	Washer	
5	1	112735698/0	Screw	
6	1	112139100/0	Feather, Crankshaft Ø 22,2	
12	2	112691100/0	Screw	
13	2	112154210/0	Nut	
15	1	112521350/0	Washer	
18	1	112543002/0	Washer	
19	1	122943018/0	Screw	
20	1	122671651/0	Washer	
22	1	325670011/0	Antifriction Washer	
23	1	112154210/0	Nut	
24	2	112728686/0	Screw	

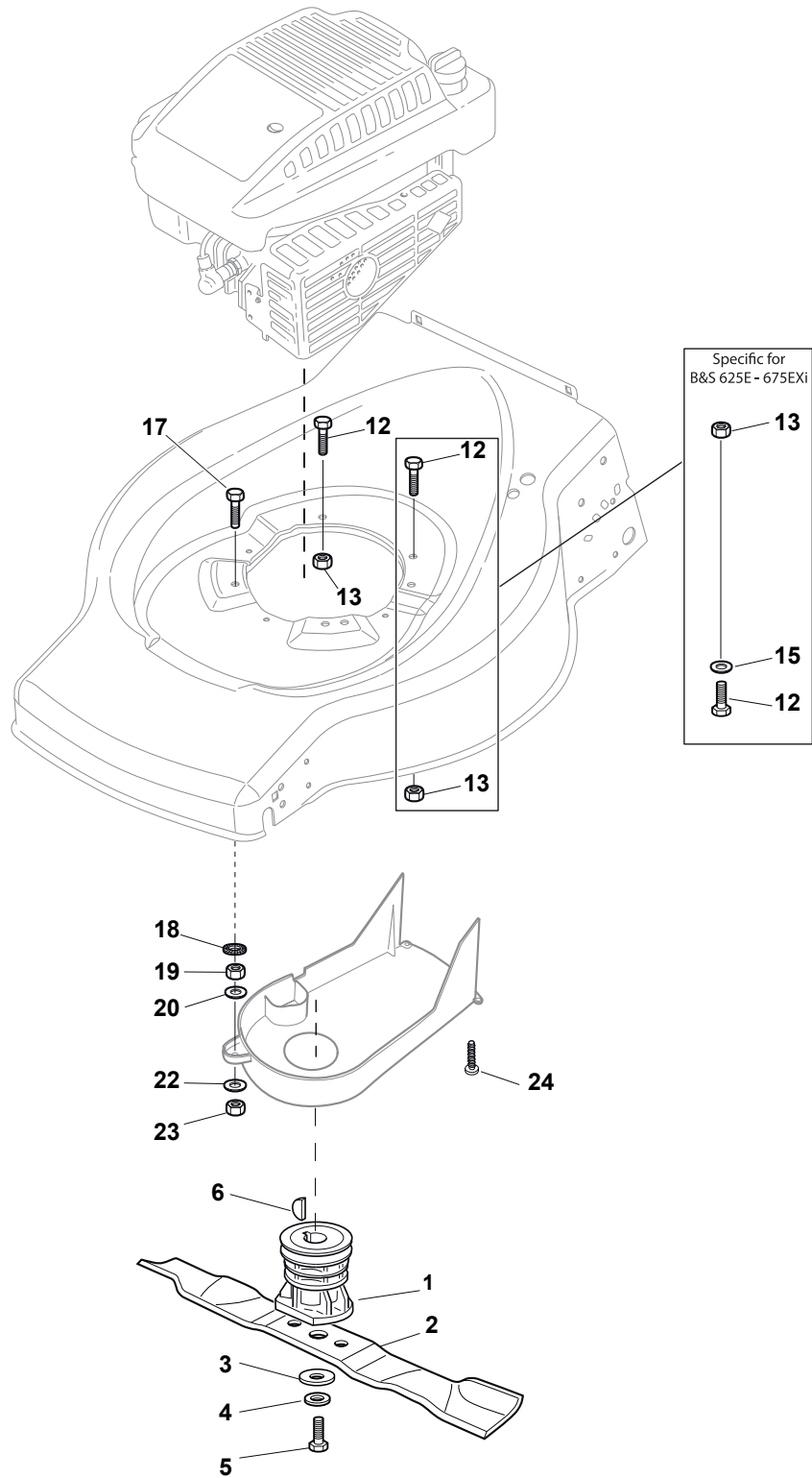


Fig.	Q.ty	Part No	Description	Notes
1	1	122465607/3	Hub With Pulley, Crankshaft Ø 22.2	for B&S and GGP Engine
1	1	122465608/2	Hub With Pulley, Crankshaft Ø 25	for Honda Engine
2	1	181004360/3	Mulching Blade	
3	1	122160400/0	Elastic Disc	
4	1	112523080/0	Washer	
5	1	112735698/0	Screw	
6	1	112139100/0	Feather, Crankshaft Ø 22,2	for B&S and GGP Engine
6	1	112139150/0	Feather, Crankshaft Ø 25	for Honda Engine
12	2	112691100/0	Screw	for Honda and GGP Engine
12	2	112293201/0	Nut	for B&S Engine
12	1	112691100/0	Screw	Specific for B&S 625E - 675EXi
13	2	112293201/0	Nut	for B&S and Honda Engine
13	3	112154210/0	Nut	Specific for B&S 625E - 675EXi
15	1	112521350/0	Washer	
17	3	322943100/0	Screw	for Honda Engine
17	3	112691100/0	Screw	Specific for B&S 625E - 675EXi
17	3	112691115/0	Screw	for B&S Engine
17	3	112691200/0	Screw	
18	1	112543002/0	Washer	
19	1	112293200/0	Nut	
20	1	122671651/0	Washer	
22	1	325670011/0	Antifriction Washer	
23	1	112155000/0	Nut	

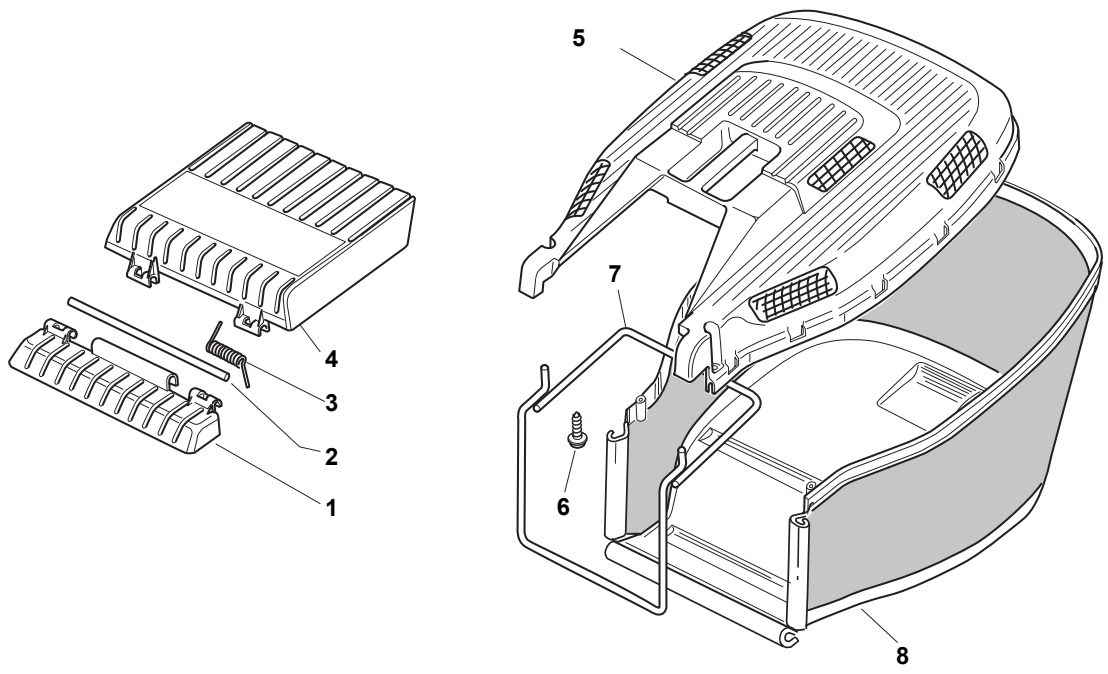




Fig.	Q.ty	Part No	Description	Notes
1	1	322785136/1	Stone Guard Support, Black	
1	1	322785140/1	Stone Guard Support, Yellow	
2	1	122517858/0	Pin	
3	1	122450431/0	Spring	
4	1	322600099/2	Stone-Guard, Black	
4	1	322600100/2	Stone-Guard, Yellow	
5	1	322486122/0	Grasscatcher Upper Part Black	
5	1	322486400/0	Grasscatcher Upper Part Grey	
6	2	112728691/0	Screw	
7	1	181006419/0	Grasscatcher Frame	
8	1	181002229/1	Box, Fabric	

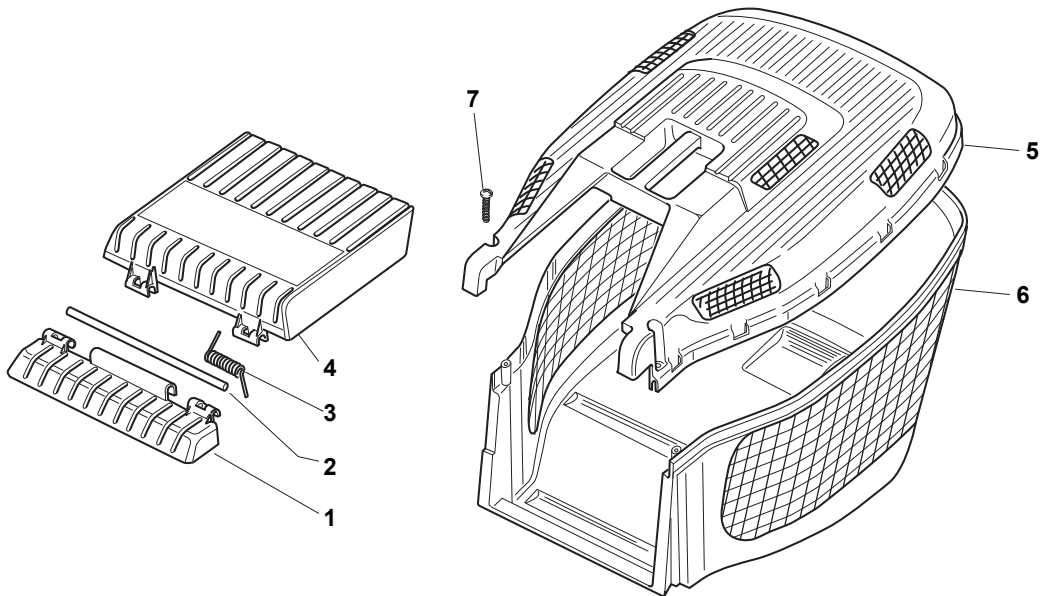


Fig.	Q.ty	Part No	Description	Notes
1	1	322785136/1	Stone Guard Support, Black	
1	1	322785140/1	Stone Guard Support, Yellow	
2	1	122517858/0	Pin	
3	1	122450431/0	Spring	
4	1	322600099/2	Stone-Guard, Black	
4	1	322600100/2	Stone-Guard, Yellow	
5	1	322486122/0	Grasscatcher Upper Part Black	
5	1	322486400/0	Grasscatcher Upper Part Grey	
6	1	322486128/0	Grassbox Lower Part, Black	
7	2	112728691/0	Screw	

code	pos.	q.ty	page									
112139100/0	6	1	p. 21	122160400/0	3	1	p. 21	322570136/0	3	2	p. 13	
112139100/0	6	1	p. 23	122160400/0	3	1	p. 23	322600170/0	5	2	p. 3	
112139150/0	6	1	p. 23	122399900/0	6	2	p. 7	322600348/0	6	2	p. 13	
112154210/0	13	2	p. 21	122430254/0	13	1	p. 13	322686091/1	2	4	p. 15	
112154210/0	13	3	p. 23	122430313/0	2	1	p. 9	322686093/0	6	4	p. 15	
112154210/0	23	1	p. 21	122430313/0	2	1	p. 11	322735559/0	9	1	p. 3	
112154510/0	4	1	p. 9	122450431/0	3	1	p. 25	322735561/0	3	1	p. 3	
112154510/0	4	1	p. 11	122450431/0	3	1	p. 27	322943100/0	17	3	p. 23	
112154510/0	9	1	p. 9	122465607/3	1	1	p. 21	325670011/0	8	2	p. 3	
112154510/0	9	1	p. 11	122465607/3	1	1	p. 23	325670011/0	16	2	p. 13	
112155000/0	7	2	p. 3	122465608/2	1	1	p. 23	325670011/0	22	1	p. 21	
112155000/0	15	2	p. 13	122517858/0	2	1	p. 25	325670011/0	22	1	p. 23	
112155000/0	23	1	p. 23	122517858/0	2	1	p. 27	381003303/0	7	2	p. 13	
112293200/0	7	2	p. 7	122524324/0	6	2	p. 3	381003306/0	4	2	p. 3	
112293200/0	19	1	p. 23	122524341/0	3	4	p. 15	381003365/0	6	1	p. 9	
112293201/0	12	2	p. 23	122601909/0	12	1	p. 13	381003365/0	6	1	p. 11	
112293201/0	13	2	p. 23	122671651/0	5	2	p. 7	381003366/0	10	1	p. 9	
112521330/0	3	1	p. 9	122671651/0	20	1	p. 21	381003366/0	10	1	p. 11	
112521330/0	3	1	p. 11	122671651/0	20	1	p. 23	381003376/0	6	1	p. 9	
112521350/0	2	4	p. 7	122675100/0	4	4	p. 15	381003376/0	6	1	p. 11	
112521350/0	15	1	p. 21	122675100/0	11	2	p. 15	381003377/0	10	1	p. 9	
112521350/0	15	1	p. 23	122753000/0	14	2	p. 13	381003377/0	10	1	p. 11	
112521370/0	2	2	p. 13	122943018/0	19	1	p. 21	381004883/0	1	1	p. 3	
112523050/0	8	2	p. 15	135063710/0	9	1	p. 13	381006568/0	3	1	p. 7	
112523050/0	8	2	p. 15	181002229/1	8	1	p. 25	381006739/1	1	1	p. 9	
112523080/0	4	1	p. 21	181003124/0	10	1	p. 13	381006739/1	1	1	p. 11	
112523080/0	4	1	p. 23	181003363/1	6	1	p. 9	381006745/1	1	1	p. 9	
112530150/0	22	2	p. 3	181003363/1	6	1	p. 11	381006745/1	1	1	p. 11	
112543002/0	18	1	p. 21	181003364/0	10	1	p. 9	381006753/0	1	1	p. 9	
112543002/0	18	1	p. 23	181003364/0	10	1	p. 11	381006753/0	1	1	p. 11	
112608600/0	1	4	p. 13	181004360/3	2	1	p. 21	381008696/0	8	1	p. 7	
112645705/0	11	1	p. 13	181004360/3	2	1	p. 23	381030082/0	11	1	p. 9	
112691100/0	12	1	p. 23	181005502/1	12	1	p. 9	381030082/0	11	1	p. 11	
112691100/0	12	2	p. 21	181005504/1	12	1	p. 9	322785136/1	1	1	p. 25	
112691100/0	12	2	p. 23	181006419/0	7	1	p. 25	322785136/1	1	1	p. 27	
112691100/0	17	3	p. 23	181030054/0	7	1	p. 9	322785140/1	1	1	p. 25	
112691115/0	17	3	p. 23	181030054/0	7	1	p. 11	322785140/1	1	1	p. 27	
112691200/0	17	3	p. 23	181030056/0	7	1	p. 9	322600099/2	4	1	p. 25	
112727783/0	8	1	p. 11	181030056/0	7	1	p. 11	322600099/2	4	1	p. 27	
112727788/0	8	1	p. 9	181030087/0	7	1	p. 9	322600100/2	4	1	p. 25	
112728686/0	2	6	p. 5	181030087/0	7	1	p. 11	322600100/2	4	1	p. 27	
112728686/0	7	2	p. 5	322055514/0	1	1	p. 19	322486122/0	5	1	p. 25	
112728686/0	24	2	p. 21	322055515/1	2	1	p. 19	322486122/0	5	1	p. 27	
112728689/0	8	4	p. 13	322060301/0	21	1	p. 5	322486400/0	5	1	p. 25	
112728691/0	6	2	p. 25	322108273/1	1	1	p. 5	322486400/0	5	1	p. 27	
112728691/0	7	2	p. 27	322108391/0	5	1	p. 5					
112735599/0	14	2	p. 15	322110314/0	10	2	p. 17					
112735645/0	8	2	p. 5	322110347/0	1	2	p. 17					
112735698/0	5	1	p. 21	322110348/0	9	2	p. 17					
112735698/0	5	1	p. 23	322110381/0	5	2	p. 17					
112760605/0	1	4	p. 7	322110382/0	13	2	p. 17					
112819120/0	4	1	p. 7	322110395/0	2	2	p. 17					
118390020/0	5	1	p. 9	322110416/0	8	2	p. 17					
118390020/0	5	1	p. 11	322110416/0	16	2	p. 17					
119216035/0	4	2	p. 13	322110491/0	4	2	p. 17					
122034508/0	1	8	p. 15	322110491/0	12	2	p. 17					
122110251/0	14	2	p. 17	322110493/0	3	2	p. 17					
122110252/1	6	2	p. 17	322110494/0	11	2	p. 17					
122110253/0	14	2	p. 17	322110495/0	7	2	p. 17					
122110254/1	6	2	p. 17	322110496/0	15	2	p. 17					
122110255/1	6	2	p. 17	322120109/0	9	2	p. 15					
122110256/0	14	2	p. 17	322170622/0	10	2	p. 15					
122122200/0	5	8	p. 15	322486128/0	6	1	p. 27					
122131750/0	2	2	p. 3	322545189/0	6	4	p. 5					
				322551640/0	12	1	p. 11					
				322570135/0	5	2	p. 13					