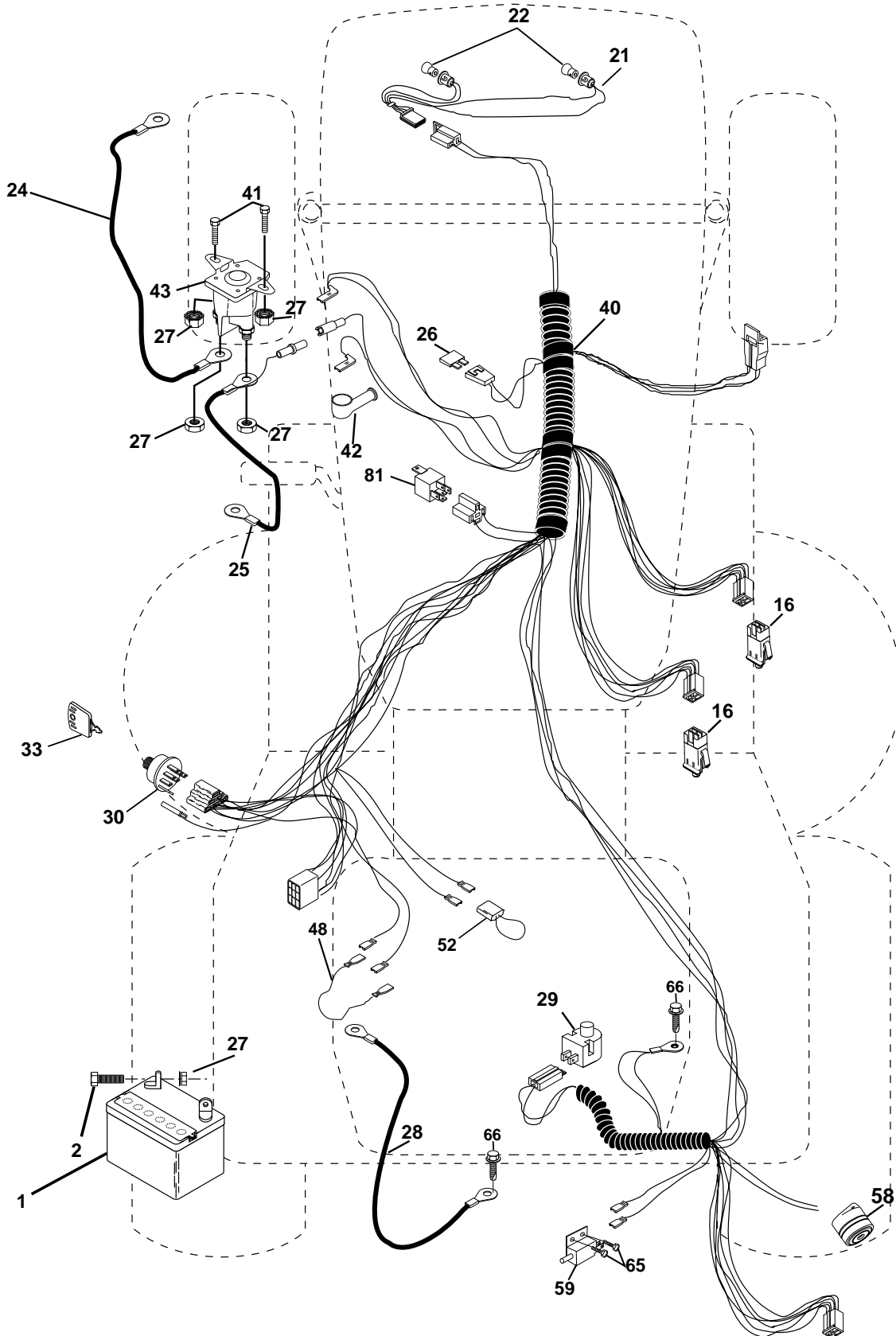


ICT13A

Spare parts
Ersatzteile
Pièces détachées
Reserve onderdelen
Repuestos
Reservdelar

REPAIR PARTS

TRACTOR- -MODEL NO. ICT13A (JICTH13D), PRODUCT NO. 954 13 00-40
ELECTRICAL



REPAIR PARTS

TRACTOR- -MODEL NO. ICT13A (JICTH13D), PRODUCT NO. 954 13 00-40
ELECTRICAL

KEY NO.	PART NO.	DESCRIPTION
1	532144925	Battery
2	874760412	Bolt Hex Hd 1/4-20 Unc x 3/4
16	532153664	Switch Interlock Push-In
21	532166182	Harness Asm Light W/4152J
22	532004152	Bulb Light #1156
24	532124780	Cable Starter
25	532165987	Cable Battery
26	532175158	Fuse
27	873510400	Nut Keps Hex 1/4-20 Unc
28	532127725	Cable Ground
29	532160784	Switch Plunger
30	532175566	Switch Ignition
33	532140401	Key Ign
40	532170164	Harness Ign
41	871110408	Bolt Flk Fin Hex 1/4-20 Unc x 1/2
42	532131563	Cover Terminal Red
43	532175141	Solenoid
48	532140844	Adapter Ammeter Rectangular
52	532141940	Protection Wire Loop
58	532169419	Buzzer Crd
59	532166299	Switch FBI CRD
65	817211008	Screw Slftp #10-16 x 1/2 Ty-Ab
66	817490608	Screw Thdrol 3/8-16 x 1/2 Ty-Tt
81	532109748	Relay Asm

NOTE: All component dimensions given in U.S. inches.
1 inch = 25.4 mm.

REPAIR PARTS

TRACTOR- -MODEL NO. ICT13A (JICTH13D), PRODUCT NO. 954 13 00-40 CHASSIS AND ENCLOSURES

KEY NO.	PART NO.	DESCRIPTION	KEY NO.	PART NO.	DESCRIPTION
1	532169831	Chassis	145	532156524	Rod Pivot Chassis/Hood
2	532165606	Drawbar	162	532165672	Bracket Exten Chassis Lh CRD
3	817060612	Screw 3/8-16 x 3/4	163	532175770	Bracket Exten Chassis Rh CRD
5	532155272	Bumper Hood/Dash	164	532165605	Support Battery CRD
6	532155923	Saddle	165	532168407	Cover Battery CRD Lt
8	532126471	Clip Insulator 13/32 Mtg. Hole	167	532165779	Support Asm. Backplate WLDMNT
9	532172243	Dash	168	872050412	Bolt, RDHD SHT NK 1/4-20 x 1-1/2
10	872140608	Bolt, Carriage 3/8-16 x 3/4	169	532123976	Nut, Lock 1/4 LGE FLG Gr. 5 Zinc
11	532155927	Panel, Dash, L.H.	170	532175264	Backplate Asm. CRD
12	532145660	Clip Tinnerman Grille P/L	171	872140620	Bolt RDHD SQNK 3/8-16 x 2-1/2 G5
13	532172108	Panel, Asm. Dash R.H.	172	819132016	Washer 13/32 x 1-1/4 x 16 Ga.
15	874180512	Screw, Machine, Truss Head 5/16-18 UNC x 3/4	173	873510600	Nut, Keps Hex 3/8-16 UNC
16	873510500	Nut	174	532165939	Bracket Switch FBI CRD
17	532150760	Hood Assembly	175	532166212	Guard Door Rear CRD
18	532126938	Bumper Hood	176	532128600	Pin Hinge Pivot
20	532156437	Plate Mtg. Battery/Fuel Tank	177	532132796	Spring Bagger Top LH Black
24	874780616	Bolt	178	876020312	Pin Cotter 3/32 x 3/4 Cad Zinc
25	819131312	Washer 13/32 x 13/16 x 12 Gauge	179	532165942	Rod Pivot FBI CRD
26	873800600	Nut	183	819131316	Washer 13/32 x 13/16 x 16 Ga.
28	532169509	Grille/Lens Asm.	184	532174662	Bracket Actuator Bagger CRD
29	532166603	Lens, Grille	185	532165940	Tube Lever Switch FBI CRD
30	532175843	Fender	186	532160793	Latch Asm Mulch/Bagger
31	532165156	Bracket, Fender Support	187	532125004	Nut Weld
33	532149139	Footrest, L.H.	188	819061216	Washer #10
34	532149140	Footrest, R.H.	189	810071000	Washer Lock #10
35	872110606	Bolt	190	871081010	Screw Pan Hd Phil 10-24 x 5/8
37	817490508	Screw Thdrol 5/16-18 x 1/2 TYT	192	817490624	Screw Thdrol 3/8-16 x 1-1/2
38	532169834	Bracket Asm. Pivot Mower Rear	193	817070412	Screw Truss 1/4-20 x 3/4 Tap/R
51	873800400	Nut Lock w/Insert 1/4-20 UNC	198	532168937	Nut Push
52	819091416	Washer 9/32 x 7/8 x 16 Ga.	207	817670508	Screw Thdrol 5/16-18 x 1/2 Tyt
53	532145201	Bracket Grille Pick-off LH	208	817670608	Screw Thdrol 3/8-16 x 1/2 Tyt
54	532161464	Screw Hex Wshd 8-18 x 7/8	209	817000612	Screw Hex Wsh Thdrol 3/8-16
55	532145202	Bracket Grille Pick-off RH	212	532165919	Insert Lens Reflective
57	874780412	Bolt, Fin Hex 1/4-20unc x .75	213	872110406	Bolt Carr
71	873680400	Nut Crownlock 1/4-20 Unc	--	532005479	Plug, Button
102	532124996	Clip Line Fuel 13/32 Mtg Hole			

NOTE: All component dimensions given in U.S. inches.
1 inch = 25.4 mm.

REPAIR PARTS

TRACTOR- -MODEL NO. ICT13A (JICTH13D), PRODUCT NO. 954 13 00-40 DRIVE

KEY NO.	PART NO.	DESCRIPTION	KEY NO.	PART NO.	DESCRIPTION
1	-----	Transaxle Hydro Gear 321-0510 (Order parts from transaxle manufacturer)	82	532123782	Spring, Torsion
8	532165619	Rod, Shift Fender Adjust Lt	83	819171216	Washer 17/32 x 3/4 x 16 Ga.
9	532170163	Clutch Asm Noram	84	532170007	Link, Transaxle
10	876020416	Pin, Cotter 1/8 x 1	95	532170015	Control Asm Bypass Hydro
14	810040400	Washer, Lock Hvy Helical	96	532124788	Spring, Retainer 1"
15	874490544	Bolt Hex FLGHD 5/16-18 Gr. 5	120	873900600	Nut Lock Flg 3/8-16 UNC
16	873800500	Nut, Lock Hex w/Ins 5/16-18 UNC	144	819111016	Washer 11/32 x 5/8 x 16 Ga.
21	532140845	Knob 1/2-13 Unc	150	532165850	Bushing, Bellcrank Grnd Dr
22	532170137	Rod, Brake	151	819133210	Washer 13/32 x 2 x 10 Ga.
23	532170017	Bracket asm Clutch Mtg.	153	874760516	Bolt Hex Hd 5/16-18 Unc x 1
24	873350600	Nut	156	532166002	Washer Srrted 5/16ID x 1.125
25	532106888	Spring, Rod, Brake	158	532165589	Bracket Shift Mount
26	819131316	Washer 13/32 x 13/16 x 16 Ga.	159	532165494	Hub Tapered Flange Shift Lt
27	876020412	Pin, Cotter 1/8 x 3/4	160	819292016	Washer 29/32 x 1-1/4 x 16 Ga.
28	532145204	Rod, Parking Brake	161	872140406	Bolt Rdhd Sqnk 1/4-20 x 3/4 Gr 5
29	532071673	Cap, Parking Brake	162	873680400	Nut Crownlock 1/4-20 Unc
30	532169592	Bracket, Mfg. Transaxle	163	874780416	Bolt Hex Fin 1/4-20 Unc x 1 Gr 5
32	874760512	Bolt Hex 5/16-18 UNC x 3/4	164	819091010	Washer 5/8 x .281 x 10 Ga.
33	872140506	Bolt Rdhd Sqnk 5/16-18 Unc x 3/4	165	532165623	Bracket Pivot Lever
34	532165496	Shaft, Asm Pedal Foot CRD	166	532166880	Screw 5/16-18 x 5/8
35	532120183	Bearing, Nylon	167	532165588	Bracket Support Shift CRD
36	819211616	Washer 21/32 x 1 x 16 Ga.	168	532165492	Bolt Shoulder 5/16-18 x .561
37	532124963	Pin, Roll 3/16 x 1"	169	532165580	Plate Fastening Lt
38	532165936	Pulley Flat Composite 3.06"	171	817490608	Screw Thdrol 3/8-16 x 1/2 Ty-Tt
39	874760644	Bolt Fin Hex 3/8-16 Unc x 2-3/4	172	532170271	Shaft Asm Shifter Frt
40	532124965	Spacer, Split 395 x 59 Bzp	174	810090400	Washer Lock 1/4
42	819131312	Washer 13/32 x 13/16 x 12 Ga.	177	532165932	Keeper Flat Idler 3.06" CRD
47	532127783	Pulley, Idler, V Groove Plasic	178	532165933	Keeper Belt Idler 1.88" CRD
48	532154407	Bellcrank Clutch Grnd Drv	179	532120958	Washer Sintered
49	532123205	Retainer, Belt Style Spring	180	532165630	Pulley, Idler, Flat 1.88"CRD
50	874760624	Bolt Hex Hd 3/8-16 UNC x 1-1/2	181	532165797	Bracket Idler Ground Drive CRD
51	873680600	Nut, Crownlock 3/8-16 UNC	182	532165634	Keeper Belt 2.5" Od V-Idler CRD
52	873680500	Nut Crownlock 5/16-18	183	532165626	Pulley V-Idler 2.50" Od CRD
53	532105710	Link, Clutch 7.66	184	817490644	Screw Hexwsh Thdrol 3/8-16 x 2-3/4
55	532105709	Spring, Return, Clutch	185	532170008	Link Shift CRD Hydro
56	874760620	Bolt, Hex 3/8-16 UNC x 1-1/4	186	532165614	Hub Tapered Round CRD
57	532170140	V-Belt Kev 113"	187	817060620	Screw 3/8-16 x 1-1/4
61	817060612	Screw 3/8-16 x 3/4	197	532169613	Nyliner Snap-In 5/8" ID
62	532124872	Cover, Pedal	199	532169612	Bolt Shoulder 5/16-18 UNC
65	810040700	Washer	200	872140508	Bolt RDHD SQNK 5/16-18unc x 1
66	532154778	Keeper, Belt Engine F-Proof	202	872110612	Bolt Carr. Sh. 3/8-16 x 1-1/2 Gr. 5
71	532169183	Strap, Torque, Lh	203	871170780	Bolt Hex 7/16-20 x 5
73	532169182	Strap, Torque, Rh	206	819131416	Washer 13/32 x 7/8 x 16 Ga.
74	532137057	Spacer	207	532169845	Washer Nylon Rear
75	532121749	Washer 25/32 x 1-1/4 x 16 Ga.	208	532169844	Bracket Idler Rear LH
76	812000001	Ring, E	209	872110606	Bolt RDHD SQNK 3/8-16 x 3/4
77	532123583	Key, Square			
78	532121748	Washer 25/32 x 1-5/8 x 16 Ga.			
81	532170006	Asm, Shaft			

NOTE: All component dimensions given in U.S. inches
1 inch = 25.4 mm

REPAIR PARTS

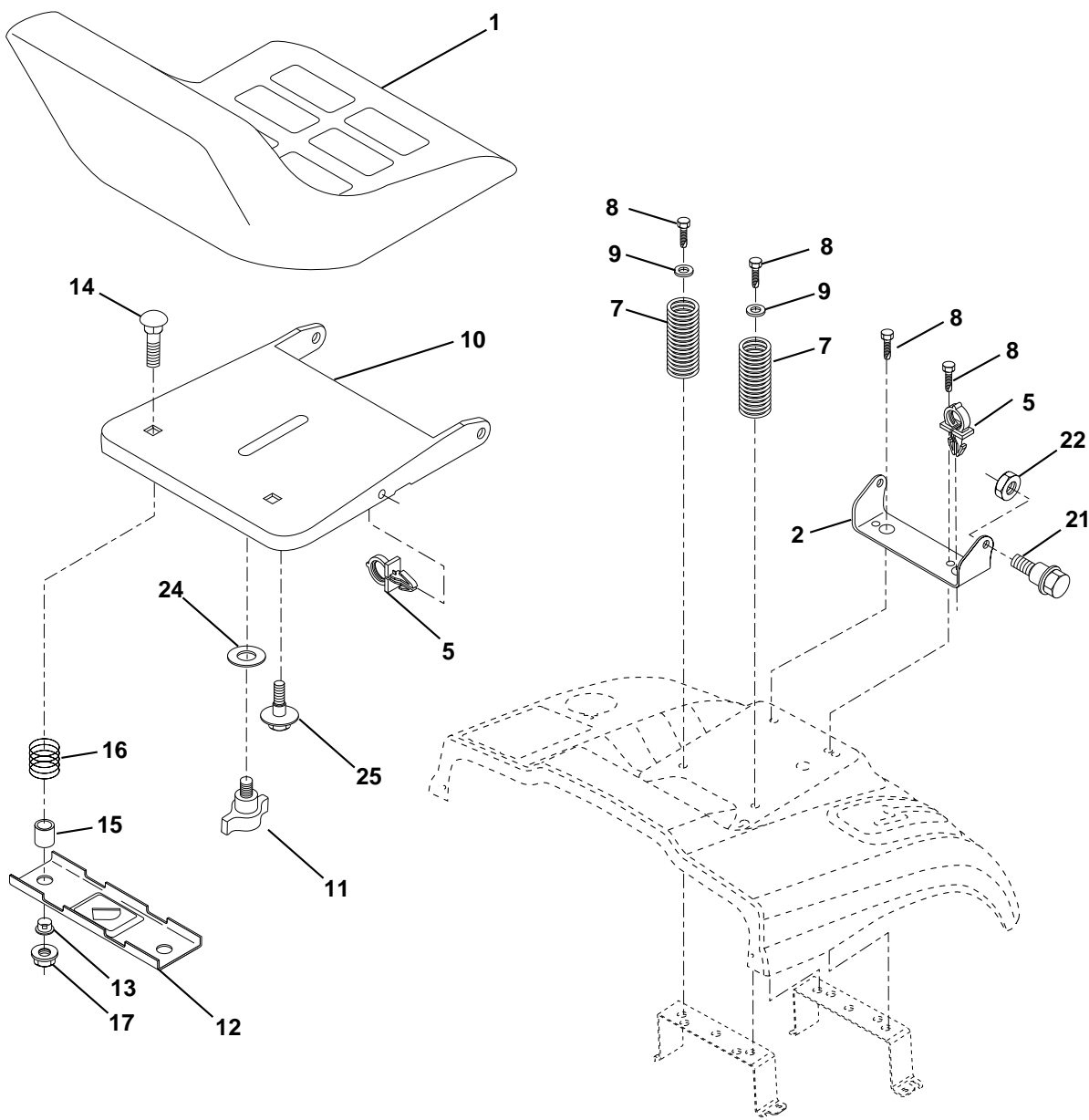
TRACTOR- -MODEL NO. ICT13A (JICTH13D), PRODUCT NO. 954 13 00-40 STEERING ASSEMBLY

KEY NO.	PART NO.	DESCRIPTION
1	532172092	Steering Wheel
2	532172393	Front Axle Assembly
3	532169840	Spindle Assembly, L.H.
4	532169839	Spindle Assembly, R.H.
5	532124931	Bearing, Race, Thrust, Hardened
6	532121748	Washer 25/32 x 1-5/8 x 16 Gauge
8	812000029	Ring, Klip
10	532169832	Link, Drag
11	810040600	Washer, Lock
13	532136518	Spacer Bearing Axle Front
15	532145212	Nut, Hex Flange Lock
17	532156546	Shaft Assembly, Steering
18	532057079	Washer, Thrust .515 x .750 x .033
19	532160395	Support, Shaft
22	532165857	Screw Hex Wshhd Torx
23	532165851	Pittman Shaft Assembly
25	532154406	Bracket, Steering
27	532136874	Gear, Sector
29	817060612	Screw 3/8-16 x 3/4 SMGML Tap/R
32	532170162	Rod, Tie
33	819111216	Washer 11/32 x 3/4 x 16 Ga.
34	810040500	Washer Lock Hvy. Hlcl Spr. 5/16
35	873540500	Crownlock Nut 5/16-24 Unf 3847
36	532155099	Bushing, Steering
37	532152927	Screw TT #10-32 x 5 x 3/8 Flange
38	532172093	Cap Wheel Steering
39	819132411	Washer 13/32 x 1-1/20 x 11 Gauge
40	532124701	Nut Lock Center 3/8-24 Unf
41	532159945	Adaptor, Steering Wheel
42	532169633	Boot, Steering
43	532121749	Washer 25/32 x 1-1/4 x 16 Gauge
44	532153720	Extension Steering Non-Adjust
46	532121232	Cap, Spindle
51	873800500	Nut Lock Hx W/Ins 5/16-18 UNC
54	874780520	Bolt Fin Hex 5/16-18 UNC x 1-1/4
62	532167914	Kit, Steering Assembly, Service
63	874780616	Bolt Fin Hex 3/8-16 unc. x 1 Gr. 5
65	532160367	Spacer Brace Axle
66	532154404	Bearing Arm Pittman
67	872140618	Bolt RdHd Sq 3/8-16 Unc x 2-1/4
68	532169827	Brace Axle
79	819132012	Washer 13/32 x 1-1/4 x 12 Ga
80	874950612	Bolt Hex Nylon 3/8-16 x 3/4
82	532169835	Bracket Susp. Chassis Front
84	532170016	Bracket Cable Clutch Chassis
86	532165898	Retainer Spring Yellow Zinc
87	532173966	Washer Flat .781 x 1-1/2 x .14

NOTE: All component dimensions given in U.S. inches.
1 inch = 25.4 mm.

REPAIR PARTS

TRACTOR- -MODEL NO. ICT13A (JICTH13D), PRODUCT NO. 954 13 00-40
SEAT ASSEMBLY



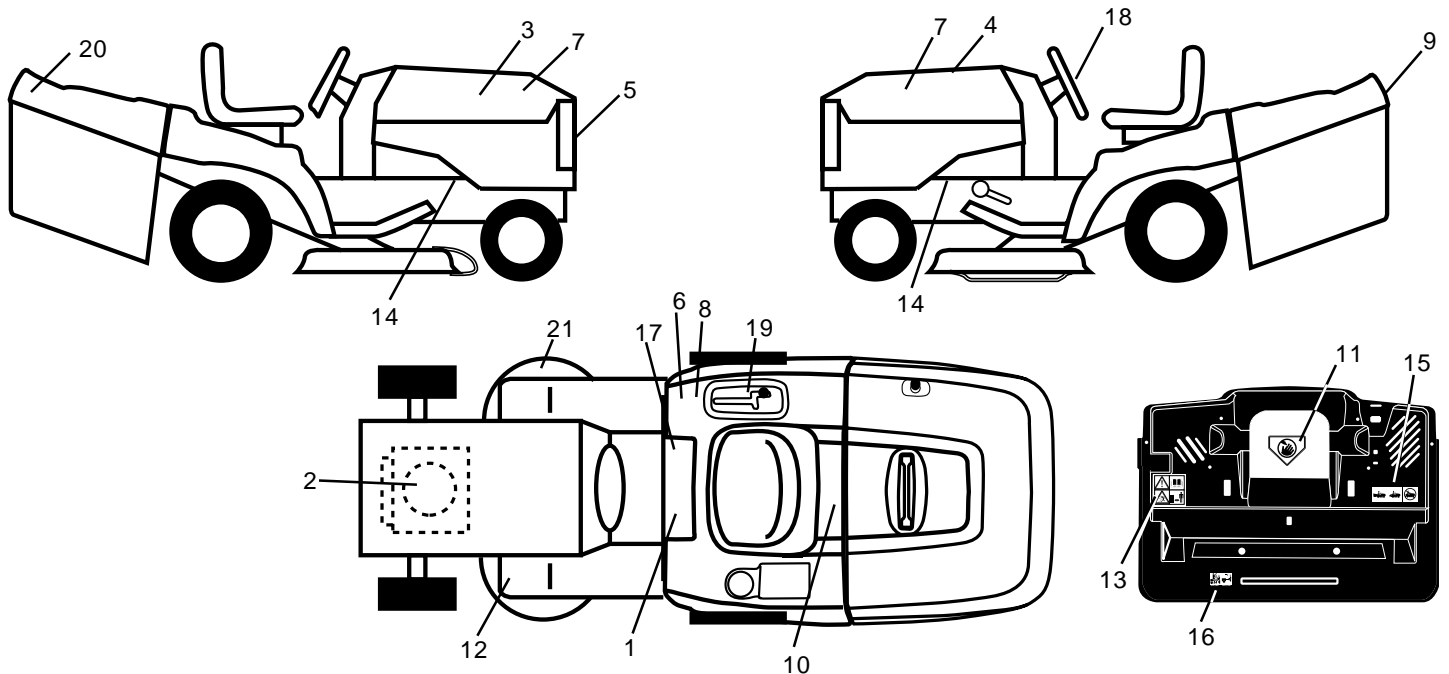
KEY NO.	PART NO.	DESCRIPTION
1	532140117	Seat
2	532140551	Bracket Pnt Pivot Seat (blk)
5	532145006	Clip Push In Hinged
7	532124181	Spring Seat Cprsn 2 250 Blk Zi
8	817000616	Screw 3/8-16 X 1.5
9	819131614	Washer 13/32 X 1 X 14 Ga
10	532174894	Pan Assembly Seat Tool Free
11	532166369	Knob Seat Adj. Wingnut
12	532121246	Bracket Pnt Mounting Switch
13	532121248	Bushing Snap Blk Nyl 50 Id

KEY NO.	PART NO.	DESCRIPTION
14	872050412	Bolt Rdhd Sht Nk 1/4-20x1-1/2
15	532134300	Spacer Split
16	532121250	Spring Cprsn Plate SW 1.310 Ga
17	532123976	Nut Lock 1/4 Lge Flg Gr 5 Zinc
21	532171852	Bolt Shoulder 5/16-18 Unc-2A
22	873800500	Nut Hex Lock w/Ins 5/16-18
24	819171912	Washer 17/32 X 1-3/16 X 12 Ga.
25	532127018	Bolt Shoulder 5/16-18 X 62

NOTE: All component dimensions given in U.S. inches.
1 inch = 25.4 mm

REPAIR PARTS

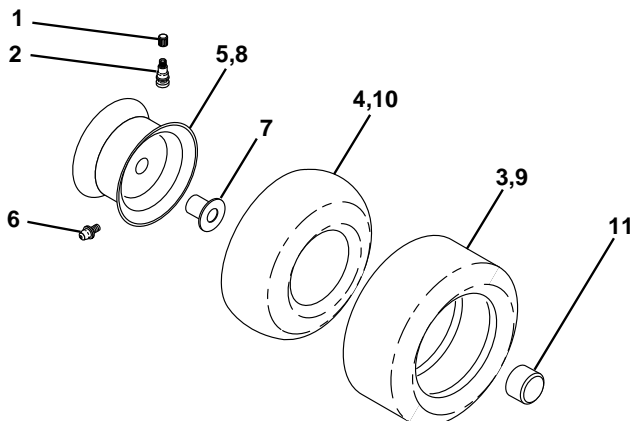
TRACTOR- -MODEL NO. ICT13A (JICTH13D), PRODUCT NO. 954 13 00-40
DECALS



KEY NO.	PART NO.	DESCRIPTION
1	532145498	Decal Read Owner's Manual Sym
2	532170848	Decal Hp Engine
3	532170531	Decal Hood Rh
4	532170532	Decal Hood Lh
5	532152262	Decal Grille Logo
6	532126187	Decal 100 DBA
7	532162927	Decal Hood Insert
8	532145437	Decal Europe Stand Ce
9	532141761	Decal Fender Logo
10	532145005	Decal Bat Dan/Poi P/L Sym Wpn
11	532145494	Decal Mower Cut Finger Symbol
12	532159737	Decal Brake/Clutch Symbol Lt

KEY NO.	PART NO.	DESCRIPTION
13	532166959	Decal Warn Back Plate CRD
14	532159736	Decal Chassis Hot Muffler
15	532166961	Decal Oper Bag Presence CRD
16	532162598	Decal Drawbar Load Limit
17	532140837	Decal Saddle Brake Parking
18	532170565	Decal Ins Strg Whl
19	532166960	Decal ByPass Fender
20	532170654	Decal Bagger Top
21	532166286	Decal Deck Sch 92 CRD
—	532138311	Decal Lift Handle
—	532171237	Pad Footrest
—	532175636	Manual Operator's (Euro)
—	532175637	Manual Operator's (Scand)

WHEELS & TIRES

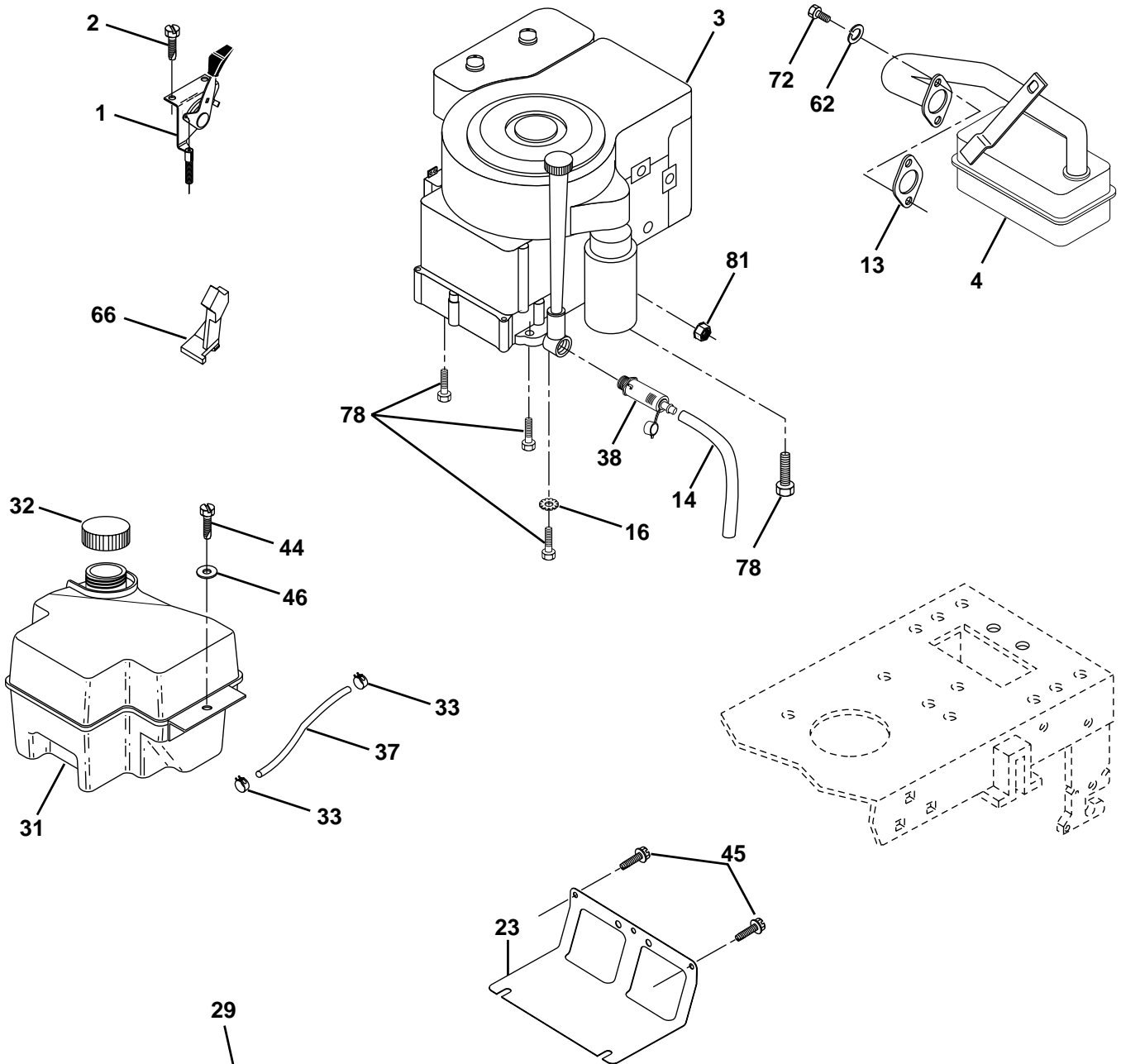


KEY NO.	PART NO.	DESCRIPTION
1	532059192	Cap Value Tire
2	532065139	Stem Value
3	532106222	Tire F Ts 15 X 6 0 - 6 Service
4	532059904	Tube InnerFront#35060
5	532138336	Rim Asm 6"front Silver Service
6	532124957	Fitting Grease
7	532124959	Bearing Flange
8	532138337	Rim Asm 8"rear Silver Service
9	532138468	Tire R Ts 20 x 8-8 Service
10	532124926	Tube Rear 9 5 X 8 Service
11	532175039	Cap Axle Blk 1 50 X 1 00
--	532144334	Sealant, Tire (10 oz. tube)

NOTE: All component dimensions given in U.S. inches
1 inch = 25.4 mm

REPAIR PARTS

TRACTOR- -MODEL NO. ICT13A (JICTH13D), PRODUCT NO. 954 13 00-40
ENGINE



OPTIONAL EQUIPMENT
Spark Arrester

REPAIR PARTS

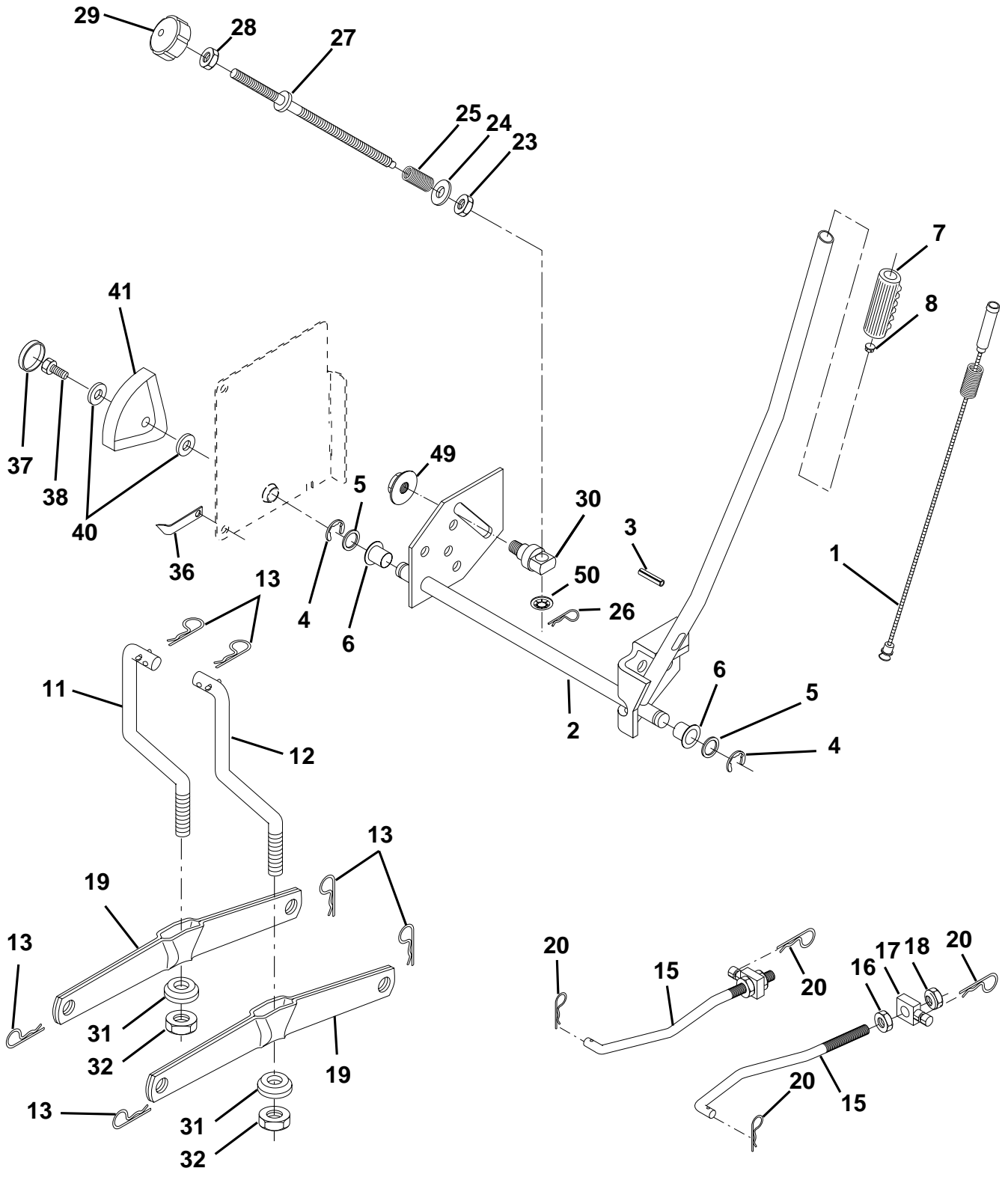
TRACTOR- -MODEL NO. ICT13A (JICTH13D), PRODUCT NO. 954 13 00-40
ENGINE

KEY NO.	PART NO.	DESCRIPTION
1	532170865	Control Throt /Ch Flag
2	817720410	Screw Hex Thd Cut 1/4-20x5/8 T
3	-----	Engine Briggs Model 28R707 (Order Parts from Engine Manufacturer)
4	532137348	Muffler Exhaust
13	532165291	Gasket 1 313 Id Tin Plated
14	532148456	Tube Drain Oil Easy
16	811050600	Washer Lock Ext Tooth 3/8
23	532169837	Shield Browning/Debris Guard
29	532137180	Arrestor Spark
31	532174642	Tank Fuel 2.00 Fr
32	532140527	Cap Asm Fule Top Vent N/Lany
33	532123487	Clamp Hose Blk
37	532137040	Line Fuel 20"
38	532148315	Plug Drain Oil Easy
44	817670412	Screw Hexwsh Thdrol 1/4-20x3/4
45	817000612	Screw Hex Wsh Thdrol 3/8-16
46	819091416	Washer 9/32 X 7/8 X 16ga
62	810040500	Washer Lock Hvy Hlcl Spr 5/16
66	532127951	Stop Throttle 3000 Rpm
72	871070512	Screw Hexhd Cap 5/16-18 x 3/4
78	817060620	Screw 3/8-16 x 1-1/4
81	873510400	Nut Keps Hex 1/4-20 Unc

NOTE: All component dimensions given in U.S. inches
1 inch = 25.4 mm

REPAIR PARTS

TRACTOR- -MODEL NO. ICT13A (JICTH13D), PRODUCT NO. 954 13 00-40
MOWER LIFT



REPAIR PARTS

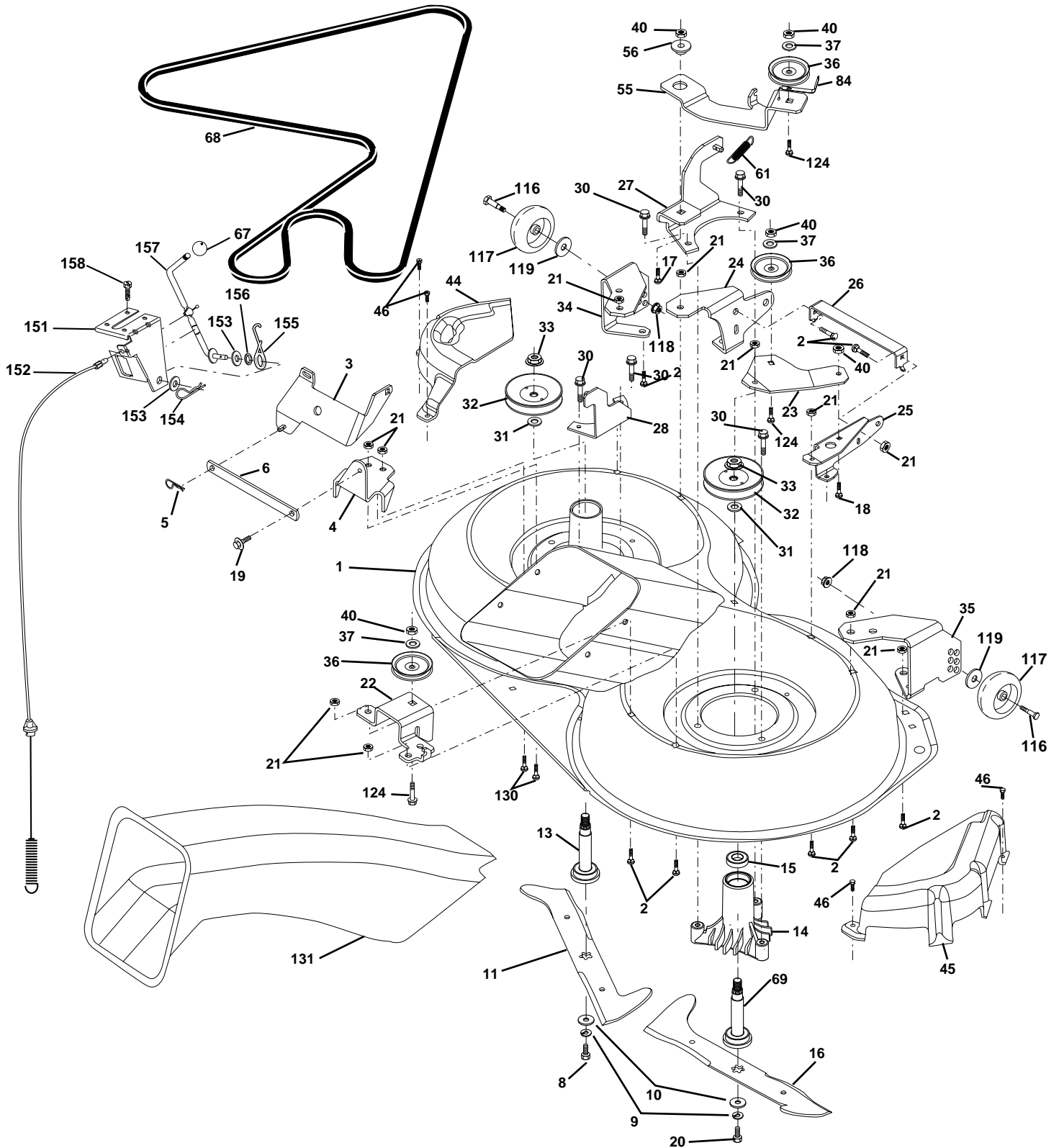
TRACTOR- -MODEL NO. ICT13A (JICTH13D), PRODUCT NO. 954 13 00-40
MOWER LIFT

KEY NO.	PART NO.	DESCRIPTION
1	532159460	Washer Asm Inner Spring W/Plunger
2	532159471	Shaft Asm. Lift
3	532105767	Pin Groove
4	812000002	E Ring #5133-62
5	819211621	Washer 21/32 x 1 x 21 Ga.
6	532120183	Bearing Nylon
7	532125631	Grip Handle
8	532124526	Button Plunger
11	532165829	Link Asm Lift L.H.
12	532165831	Link Asm Lift R.H.
13	532124670	Retainer Spring
15	532173288	Link Front
16	873350800	Nut Jam Hex 1/2-13 Unc
17	532130171	Trunnion Blk Zinc
18	873800800	Nut Lock w/Wsh 1/2-13 Unc
19	532139868	Arm Suspension Mower
20	532163552	Retainer Spring
23	532110807	Nut Special
24	819131016	Washer 13/32 x 5/8 x 16 Ga.
25	532124874	Spring 2-1/8
26	532169484	Retainer Clip
27	532126971	Rod Adj Lift Zinc
28	873350600	Nut Hex Jam 3/8-16 Unc
29	532138057	Knob Inf 3/8-16 unc
30	532150233	Trunnion Infin Height
31	532169865	Bearing, Pvt. Lift
32	873540600	Nut Crownlock 3/8-24
36	532155097	Pointer Height Indicator
37	532123935	Plug Hole Blk
38	817060516	Screw Thdrol 5/16-18 x 3/4
40	819112410	Washer 11/32 x 1-1/2 x 10 Ga
41	532123934	Scale Ind Height Blk
49	532145212	Nut Hex flange lock
50	532110452	Nut Push Phos &Oil

NOTE: All component dimensions given in U.S. inches
1 inch = 25.4 mm

REPAIR PARTS

TRACTOR- -MODEL NO. ICT13A (JICTH13D), PRODUCT NO. 954 13 00-40
MOWER



REPAIR PARTS

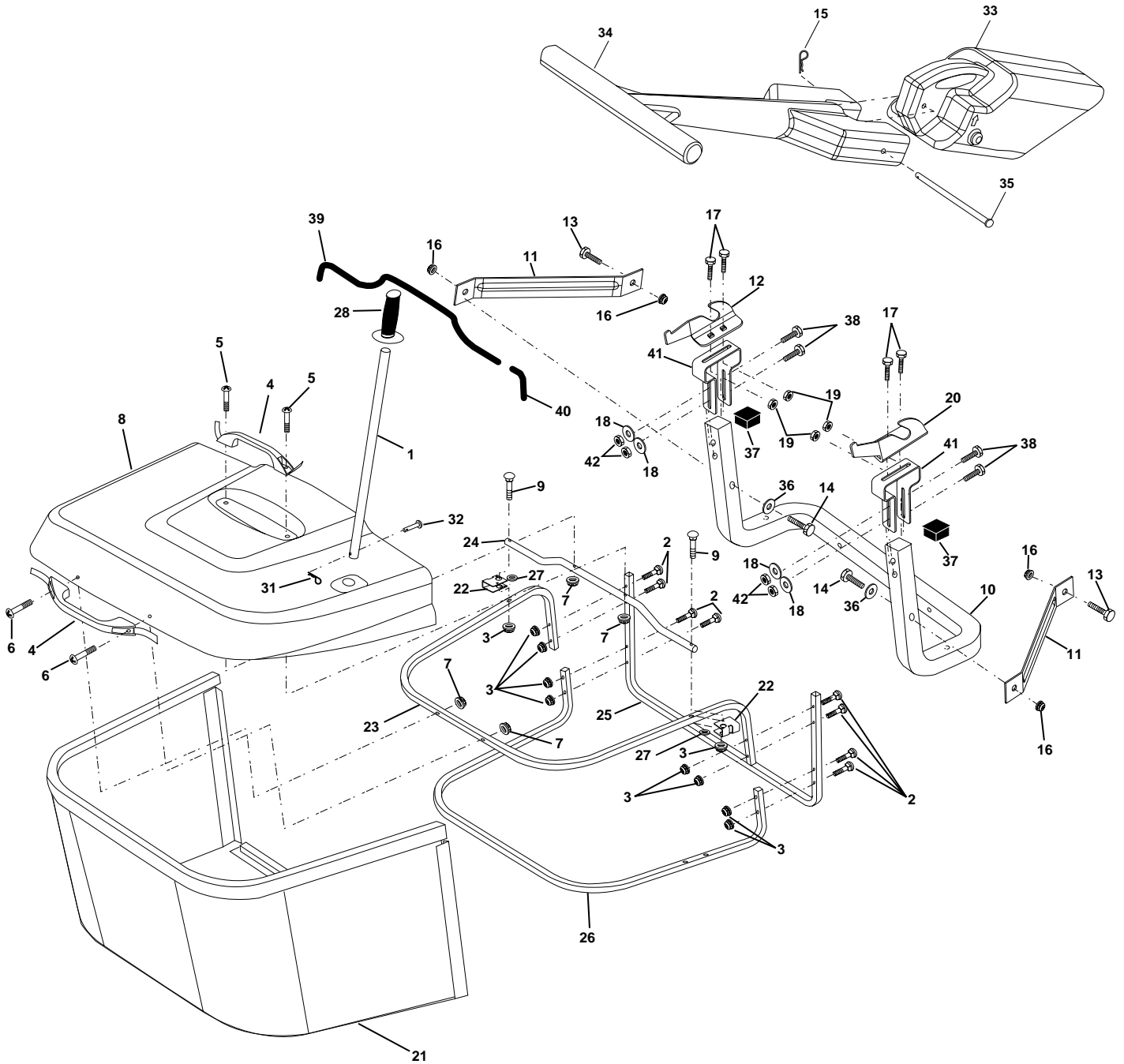
TRACTOR- -MODEL NO. ICT13A (JICTH13D), PRODUCT NO. 954 13 00-40
MOWER

KEY NO.	PART NO.	DESCRIPTION	KEY NO.	PART NO.	DESCRIPTION
1	532165552	Housing Asm. Mower 92 CRD	37	819131316	Washer 11/32 x 13/16 x 16 Ga
2	872140506	Bolt Rdhd Sqnk 5/16-18 Unc x 3/4	40	873680600	Nut Crownlock 3/8-16 Unc
3	532165569	Bracket Asm. S-Bar Chass 92 CRD	44	532165724	Cover Mandrel Lh 92 CRD
4	532165558	Bracket Bar Sway Deck 92 CRD	45	532165556	Cover Mandrel Rh 92 CRD
5	532124670	Retainer Spring	46	532137729	Screw Thd Roll 1/4-20 x 5/8
6	532165557	Bar Sway 92 CRD	55	532165445	Arm Idler 92 CRD
8	532850857	Bolt 3/8-24 x 1.25 Gr8 Patched	56	532165723	Spacer Retainer Mower
9	810030600	Washer Lock Hvy 3/8 Unplated	61	532165945	Spring Tension Belt
10	532140296	Washer Hard Blade Mower vented	67	532106932	Knob Rd. 3/8-16 Plst Thds
11	532170037	Blade 3-1 Lh 92 CRD	68	532165555	Hex-Belt 92 Mower 105AA
12	532129895	Bearing Ball #6204 (Mandrel)	69	532165482	Shaft Asm W/Lwr Brg Rh Thd CRD
13	532137645	Shaft Asm. W/Lower Bearing	84	532156085	Keeper Belt Idler
14	532128774	Housing Mandrel Vented (Machd)	116	532137644	Bolt Shoulder
15	532110485	Bearing Ball Mandrel	117	532133957	Wheel Gage Donut Wide
16	532170038	Blade 3-1 Rh 92 CRD	118	873930600	Nut Centerlock 3/8-16 Unc
17	872140610	Bolt Carriage 3/8-16 x 1-1/4	119	819121414	Washer 3/8 x 7/8 x 14 Ga.
18	872110608	Bolt Rdhd Sqnk 3/8-16 x 1 Gr5	124	872110612	Bolt Carr Sh 3/8-16 x 1-1/2 Gr5
19	532132827	Bolt Shoulder 5/16-18 Thd Form	128	532153390	Washer Felt
20	532165484	Bolt 3/8-24 x 1.25 Gr8 Ptch Lhthd	130	872110506	Bolt Rdhdsqnk 5/16-18 Unc x 3/4
21	873680500	Nut Crown Lock 5/16-18	131	532165661	Chute Bagger CRD 92cm
22	532165243	Bracket Idler Sprt RR 92 CRD	151	532169670	Bracket Clutch Cable
23	532165446	Bracket Idler Sprt RF 92 CRD	152	532176074	Cable Clutch
24	532165242	Bracket Suspension LF 92 CRD	153	532169674	Washer Flat 3/8" Type B
25	532165244	Bracket Suspension RF 92 CRD	154	532169675	Spring Retainer
26	532165237	Brace Support Susp Frt CRD	155	532169671	Spring Retainer
27	532165568	Bracket Asm. Susp RR 92 CRD	156	532169672	Spacer Clutch Cable
28	532165567	Bracket Asm. Susp LR 92 CRD	157	532169669	Rod Clutch Cable 3/8"
30	532157722	Screw Thd Rolling Washer Head	158	817720410	Screw Hex Thdcut 1/4-20 x 5/8
31	532129963	Washer Spacer Mower Vented	--	532130794	Mandrel Asm Service
32	532153531	Mandrel Pulleys 36 & 46	--	532165579	Mandrel Asm CRD Lh Threads SVC
33	532137266	Nut Flg Top Lock Cntr B 9/16	--	532173549	Deck Mower Complete
34	532165239	Bracket Gauge Wheel Lf 92 CRD			
35	532165238	Bracket Gauge Wheel Rf 92 CRD			
36	532146763	Pulley Idler V-Groove Dim 4.25			

NOTE: All component dimensions given in U.S. inches
1 inch = 25.4 mm

REPAIR PARTS

TRACTOR- -MODEL NO. ICT13A (JICTH13D), PRODUCT NO. 954 13 00-40
BAGGER



REPAIR PARTS

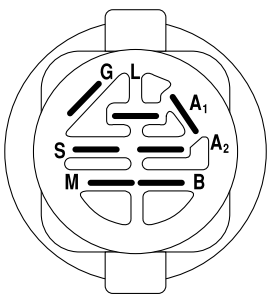
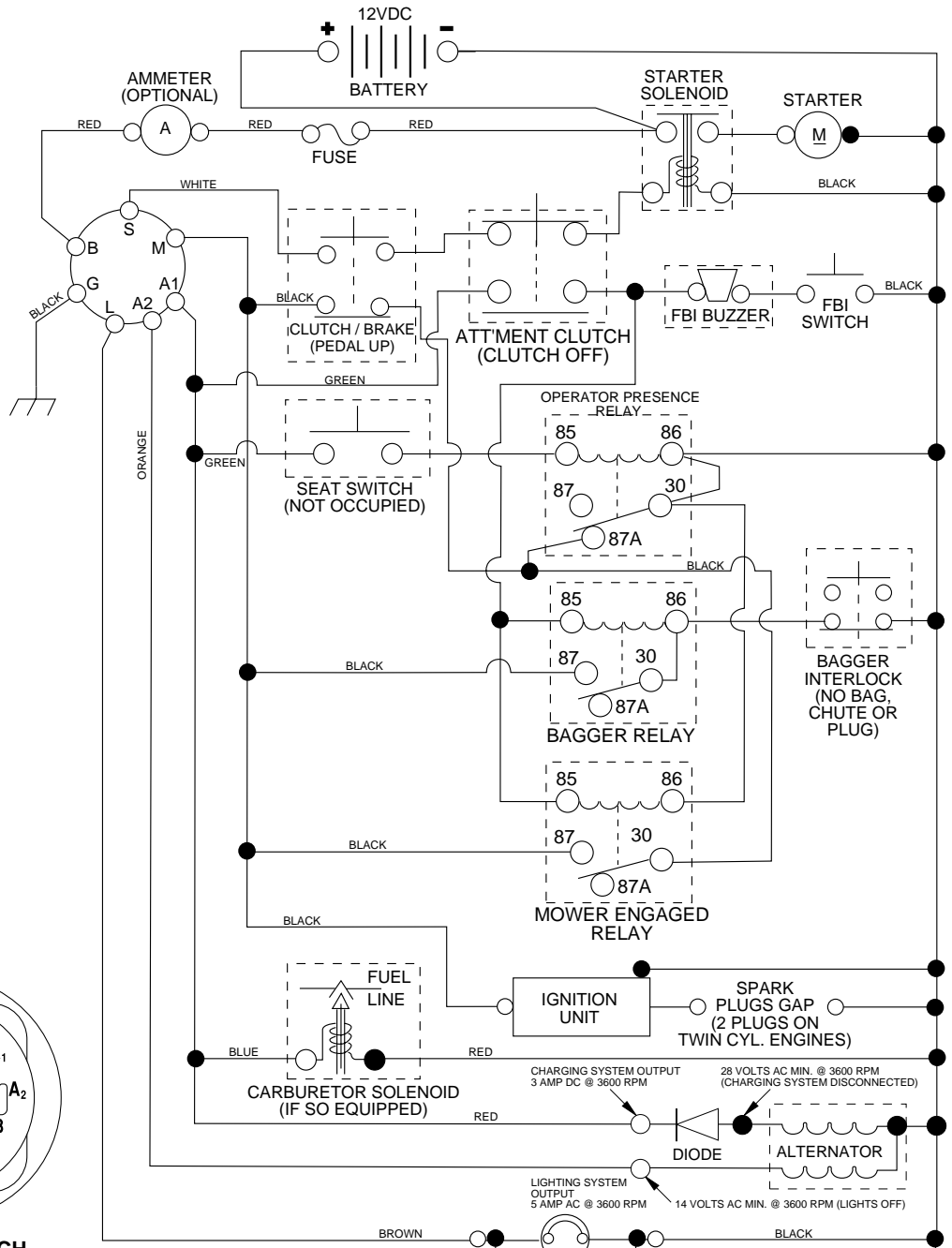
TRACTOR- -MODEL NO. ICT13A (JICTH13D), PRODUCT NO. 954 13 00-40
BAGGER

KEY NO.	PART NO.	DESCRIPTION
1	532170690	Tube Handle Bagger CRD
2	872140416	Bolt Carriage 1/4-20 x 2.0 Gr.5
3	532123976	Nut Lock 1/4 Lge Flg Gr. 5 Zinc
4	532169916	Handle Bagger
5	874981024	Screw Pan Head #10-24 x 1.50 Blk
6	874981032	Screw Pan Hd
7	873401000	Nut Wiz Lock Hex Serr/Hd 10-24
8	532168871	Cover Bagger Plastic CRD
9	872140418	Bolt Carriage 1/4-20 x 2.25d x Gr.5
10	532169688	Tube Support Bagger CRD
11	532165719	Bracket Support Upper Bag CRD
12	532169685	Bracket Pivot Bagger Lh CRD
13	872110606	Bolt Rdhd Sht Sqnk 3/8-16 x 3/4
14	874520640	Bolt Hex 3/8-16 x 2-1/2 Gr.5
15	532124670	Retainer Spring
16	873900600	Nut Lock Flg 3/8-16 Unc
17	872140506	Bolt Rdhd Sht Sqnk 5/16 -18 Unc x 3/4
18	819111216	Washer 11/32 x 3/4 x 16 Ga.
19	873900500	Nut Lock Hex Flange 5/16-18
20	532169684	Bracket Horiz Adj Bagger RH CRD
21	532165780	Bag Asm CRD
22	532165781	Bracket Side Bagger CRD
23	532165782	Tube Upper Bagger CRD
24	532165783	Tube Pivot Bagger CRD
25	532165784	Tube Front Bagger CRD
26	532165785	Tube Lower Bagger CRD
27	532169692	Bushing Snap Bagger
28	532170696	Grip Handle Black
31	532124788	Retainer Spring 1" Zinc/Cad
32	532126875	Rivet Rd Hd Drilled 3/8 Dia
33	532165571	Plug Mulcher
34	532165570	Handle Mulcher
35	532165572	Pin Mulcher
36	819132016	Washer 13/32 x 1-1/4 x 16 Ga.
37	532175401	Plug Support Bagger CRD
38	872010520	Bolt 5/16-18 x 5.20
39	532169999	Seal 26" (Long)
40	532170000	Seal 7" (Short)
41	532169683	Bracket Vert Adj Bagger CRD
42	873800500	Nut Lock Hex W/Ins 5/16-18 Unc PI

NOTE: All component dimensions given in U.S. inches
1 inch = 25.4 mm

REPAIR PARTS

TRACTOR- -MODEL NO. ICT13A (JICTH13D), PRODUCT NO. 954 13 00-40 SCHEMATIC



IGNITION SWITCH

POSITION	CIRCUIT	"MAKE"
OFF	M+G+A1	NONE
RUN/LIGHT	B+A1	A2+L
RUN	B+A1	NONE
START	B + S + A1	NONE

WIRING INSULATED CLIPS
NOTE: IF WIRING INSULATED CLIPS WERE REMOVED FOR SERVICING OF UNIT, THEY SHOULD BE REPLACED TO PROPERLY SECURE YOUR WIRING.

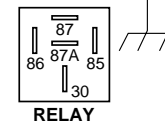


PTO SWITCH

POSITION	CIRCUIT
OFF	C + G, B + H
ON	C + F, B + E, A + D

HEADLIGHTS

NOTE
YOUR TRACTOR IS EQUIPPED WITH A SPECIAL ALTERNATOR SYSTEM. THE LIGHTS ARE NOT CONNECTED TO THE BATTERY, BUT HAVE THEIR OWN ELECTRICAL SOURCE. BECAUSE OF THIS, THE BRIGHTNESS OF THE LIGHTS WILL CHANGE WITH ENGINE SPEED. AT IDLE THE LIGHTS WILL DIM. AS THE ENGINE IS SPEEDED UP, THE LIGHTS WILL BECOME THEIR BRIGHTEST.



RELAY

