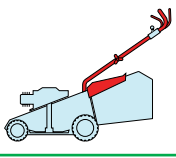
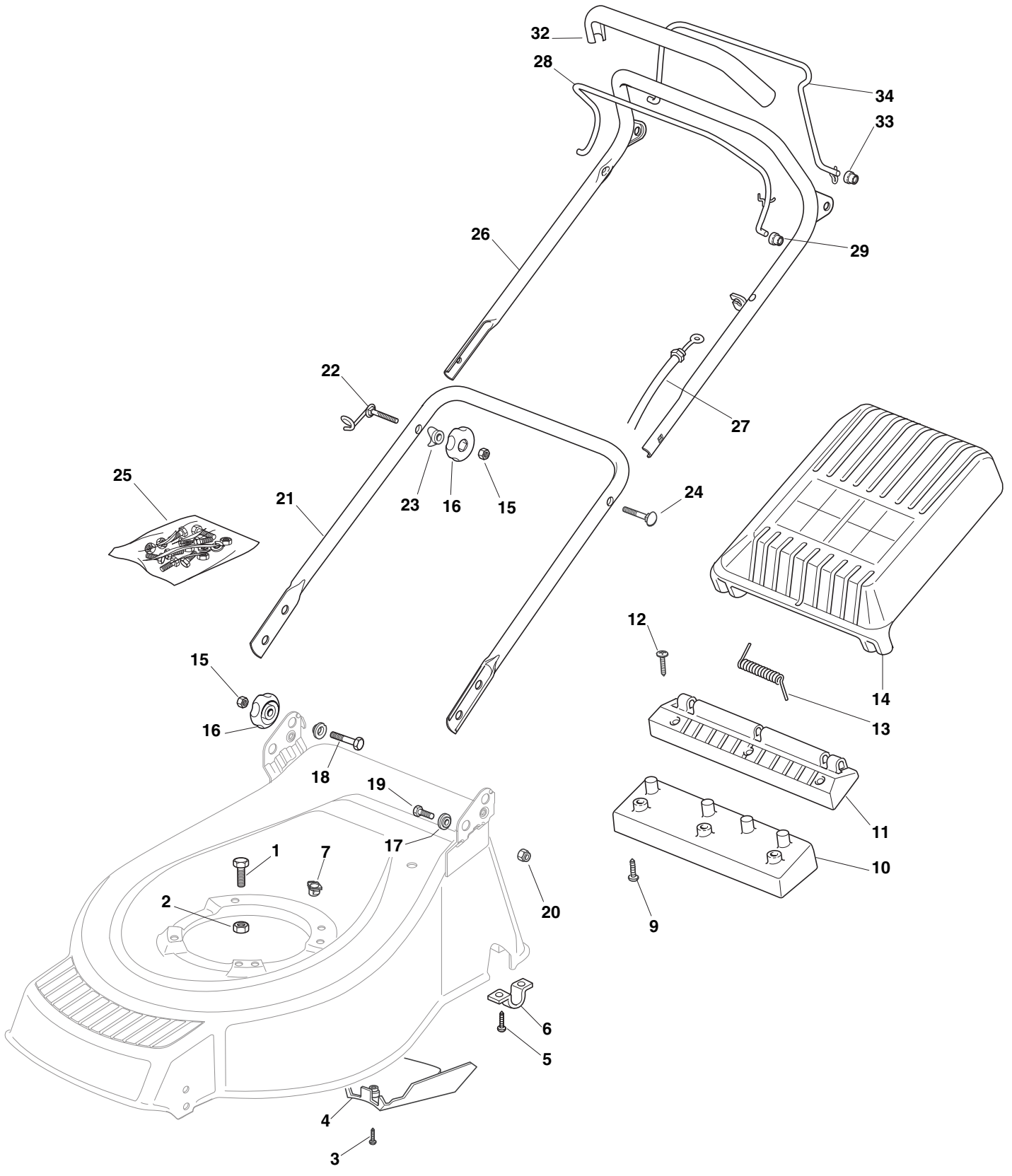


M		ML	
484		534	
TR	TR/E	TR 4S	TR/E 4S



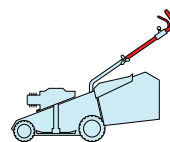
2008
<b>681.0</b>
1 / 3



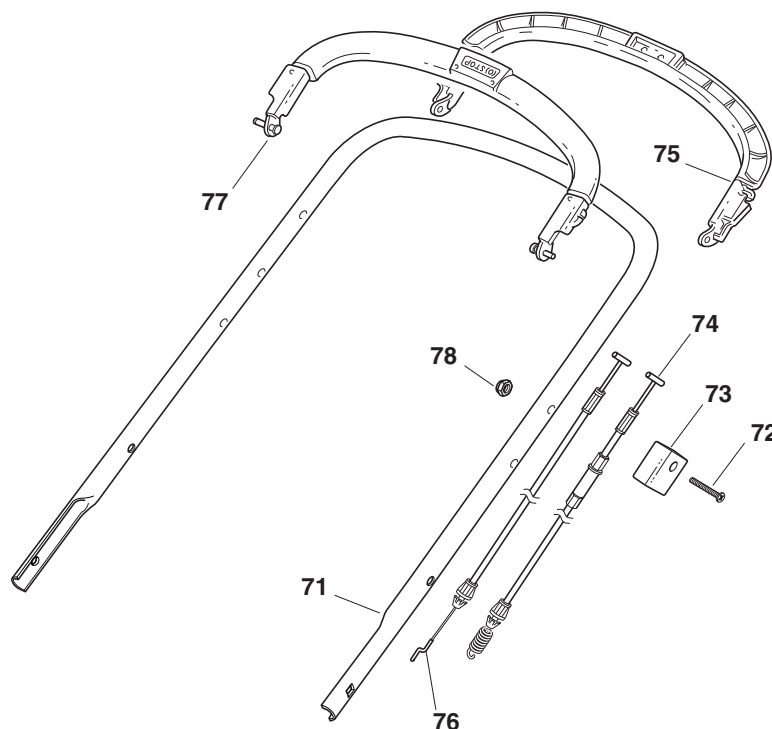
POS.	CODE	Q.TY	DESCRIZIONE	DESCRIPTION	DESCRIPTION	BESCHREIBUNG	REMARKS
1	12691800/0	0/1	VITE	SCREW	VIS	SCHRAUBE	
-	12793701/0	3/2	VITE	SCREW	VIS	SCHRAUBE	
2	12155000/0	0/1	DADO	NUT	ECROU	MUTTER	
-	12293201/0	3/2	DADO	NUT	ECROU	MUTTER	
3	12727791/0	1	VITE	SCREW	VIS	SCHRAUBE	484
-	12728530/0	1	VITE	SCREW	VIS	SCHRAUBE	534
4	22060192/0	1	CARTER CINGHIA	PROTECTION, BELT	PROTECTION	SCHUTZ, RIEMEN	484
-	22060193/0	1	CARTER CINGHIA	PROTECTION, BELT	PROTECTION	SCHUTZ, RIEMEN	534
5	12731350/0	4	VITE	SCREW	VIS	SCHRAUBE	
6	22545152/0	2	PIASTRINA	PLATE	PLAQUETTE	PLATTE	
7	22291150/0	1	INSERTO IN GOMMA	RUBBER INSERT	INSERT DE	GUMMI EINSATZ	
9	12731600/1	3	VITE	SCREW	VIS	SCHRAUBE	
10	22785127/0	1	AGGANCIAMENTO SACCO NERO	SUPPORT	SUPPORT	HALTER	
11	22785119/0	1	FULCRO PARASASSI NERO	FULCRUM PIN	POINT D'APPUI	GELENKPUNKT	
12	12728680/0	3	VITE	SCREW	VIS	SCHRAUBE	
13	22450430/0	1	MOLLA	SPRING	RESSORT	FEDER	
14	22600068/1	1	PARASASSI NERO	STONE-GUARD, BLACK	PARE-PIERRES	PRALLBLECH	
15	12293200/0	4	DADO	NUT	ECROU	MUTTER	
16	322399804/1	4	MANOPOLINA	KNOB	POIGNÉE	GRIFF	
17	22041955/0	4	BUSSOLA	BUSH	DOUILLE	BUCHSE	
18	12793700/0	2	VITE	SCREW	VIS	SCHRAUBE	
19	12792610/0	2	VITE	SCREW	VIS	SCHRAUBE	
20	12155000/0	2	DADO	NUT	ECROU	MUTTER	
21	81006512/0	1	MANICO, PARTE INF	HANDLE, LOWER PART	MANCHERON, PARTIE INFERIEURE	HOLM, UNTERTEIL	
22	81003801/1	1	MOLLA GUIDA	SPRING	RESSORT	FEDER	
23	22680006/1	2	ROSETTA	WASHER	RONDELLE	SCHEIBE	
24	12819201/0	1	VITE	SCREW	VIS	SCHRAUBE	
25	81008637/1	1	DOTAZIONE VITERIA	OUTFIT, SCREWS	DOTATION VISSERIE	SATZ, SCHRAUBEN	
26	81007024/0	1	MANICO, PARTE SUP	HANDLE, UPPER PART	MANCHERON, PARTIE SUPERIEURE	HOLM, OBERTEIL	
27	81000611/0	1	CAVO FRENO MOTORE	CABLE, THREAD ENGINE BRAKE	CABLE FREIN MOTEUR	KABEL, MOTORBREMSE	(GGP 150CC)
-	81000625/0	1	CAVO FRENO MOTORE	CABLE, THREAD ENGINE BRAKE	CABLE FREIN MOTEUR	KABEL, MOTORBREMSE	484 (B&S 450-500 SERIES)
-	81000631/0	1	CAVO FRENO MOTORE	CABLE, THREAD ENGINE BRAKE	CABLE FREIN MOTEUR	KABEL, MOTORBREMSE	484 (B&S 675 SERIES ES)
-	81000757/0	1	CAVO FRENO MOTORE	CABLE, THREAD ENGINE BRAKE	CABLE FREIN MOTEUR	KABEL, MOTORBREMSE	484 (B&S 675 SERIES)
-	81000757/0	1	CAVO FRENO MOTORE	CABLE, THREAD ENGINE BRAKE	CABLE FREIN MOTEUR	KABEL, MOTORBREMSE	484 (GGP 160CC)
-	81000642/1	1	CAVO FRENO MOTORE	CABLE, THREAD ENGINE BRAKE	CABLE FREIN MOTEUR	KABEL, MOTORBREMSE	484 (GGP 200CC)
-	81000753/0	1	CAVO FRENO MOTORE	CABLE, THREAD ENGINE BRAKE	CABLE FREIN MOTEUR	KABEL, MOTORBREMSE	484 (GGP 200CC ES)
-	81000641/0	1	CAVO FRENO MOTORE	CABLE, THREAD ENGINE BRAKE	CABLE FREIN MOTEUR	KABEL, MOTORBREMSE	484 (HONDA GCV 135/160/190)
-	81000643/0	1	CAVO FRENO MOTORE	CABLE, THREAD ENGINE BRAKE	CABLE FREIN MOTEUR	KABEL, MOTORBREMSE	534 (B&S 450-500 SERIES)
-	81000642/1	1	CAVO FRENO MOTORE	CABLE, THREAD ENGINE BRAKE	CABLE FREIN MOTEUR	KABEL, MOTORBREMSE	534 (B&S 675 SERIES ES)
-	81000756/0	1	CAVO FRENO MOTORE	CABLE, THREAD ENGINE BRAKE	CABLE FREIN MOTEUR	KABEL, MOTORBREMSE	534 (B&S 675 SERIES)
-	81000756/0	1	CAVO FRENO MOTORE	CABLE, THREAD ENGINE BRAKE	CABLE FREIN MOTEUR	KABEL, MOTORBREMSE	534 (GGP 160CC)
-	81000616/1	1	CAVO FRENO MOTORE	CABLE, THREAD ENGINE BRAKE	CABLE FREIN MOTEUR	KABEL, MOTORBREMSE	534 (GGP 200CC)
-	81000640/0	1	CAVO FRENO MOTORE	CABLE, THREAD ENGINE BRAKE	CABLE FREIN MOTEUR	KABEL, MOTORBREMSE	534 (HONDA GCV 135/160/190)

POS.	CODE	Q.Q.TY	DESCRIZIONE	DESCRIPTION	DESCRIPTION	BESCHREIBUNG	REMARKS
28	81003291/3	1	LEVA FRENO MOTORE	LEVER, ENGINE BRAKE	LEVIER FREIN MOTEUR	HEBEL, MOTORBREMSE	
29	22041966/0	2	BUSSOLA	BUSH	DOUILLE	BUCHSE	
32	22291050/0	1	IMPUGNATURA MANICO NERA	HANDGRIP BLACK	POIGNÉE NOIRE	HANDGRIFF SCHWARZ	
33	22041965/1	2	BUSSOLA	BUSH	DOUILLE	BUCHSE	
34	81003288/1	1	LEVA TRAZIONE	LEVER, DRIVING	LEVIER TRACTION	HEBEL, ANTRIEB	

<b>M</b>		<b>ML</b>	
<b>484</b>		<b>534</b>	
<b>TR</b>	<b>TR/E</b>	<b>TR 4S</b>	<b>TR/E 4S</b>

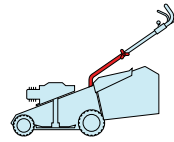


2008
<b>618d.0</b>
1 / 1

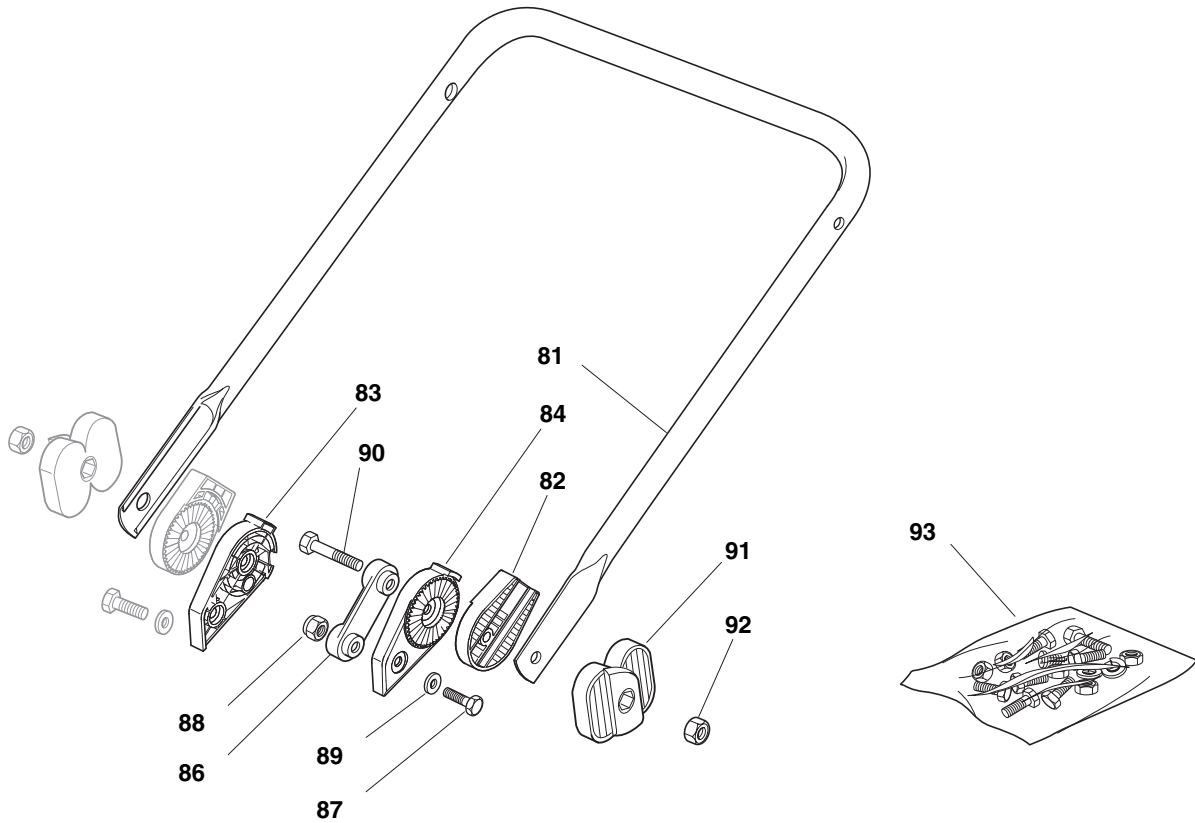


POS.	CODE	Q.TY	DESCRIZIONE	DESCRIPTION	DESCRIPTION	BESCHREIBUNG	REMARKS
71	81006979/2	1	MANICO, PARTE SUP	HANDLE, UPPER PART	MANCHERON, PARTIE SUP.	HOLM, OBERTEIL	
72	12689500/0	1	VITE	SCREW	VIS	SCHRAUBE	
73	22551640/0	1	PIASTRINA	PLATE	PLAQUETTE	PLÄTTCHEN	
74	381000709/2	1	CAVO COMANDO TRAZIONE	CABLE, REAR DRIVE	CÂBLE, COMM. TRACTION	KABEL, ANTRIEB	
75	81003297/1	1	LEVA TRAZIONE	DRIVING LEVER	LEVIER TRACTION	ANTRIEBHEBEL	
76	81000657/0	1	CAVO FRENO MOTORE	CABLE, THREAD ENGINE BRAKE	CABLE FREIN MOTEUR	KABEL, MOTORBREMSE	(GGP 160CC)
-	81000708/0	1	CAVO FRENO MOTORE	CABLE, THREAD ENGINE BRAKE	CABLE FREIN MOTEUR	KABEL, MOTORBREMSE	484 (B&S 450-500 SERIES)
-	81000708/0	1	CAVO FRENO MOTORE	CABLE, THREAD ENGINE BRAKE	CABLE FREIN MOTEUR	KABEL, MOTORBREMSE	484 (HONDA GCV 135/160/190)
-	81000708/0	1	CAVO FRENO MOTORE	CABLE, THREAD ENGINE BRAKE	CABLE FREIN MOTEUR	KABEL, MOTORBREMSE	534 (B&S 450-500 SERIES)
-	81000708/0	1	CAVO FRENO MOTORE	CABLE, THREAD ENGINE BRAKE	CABLE FREIN MOTEUR	KABEL, MOTORBREMSE	534 (B&S 675 SERIES ES)
-	81000720/1	1	CAVO FRENO MOTORE	CABLE, THREAD ENGINE BRAKE	CABLE FREIN MOTEUR	KABEL, MOTORBREMSE	(GGP 150CC)
-	81000731/1	1	CAVO FRENO MOTORE	CABLE, THREAD ENGINE BRAKE	CABLE FREIN MOTEUR	KABEL, MOTORBREMSE	(GGP 200CC)
-	81000731/1	1	CAVO FRENO MOTORE	CABLE, THREAD ENGINE BRAKE	CABLE FREIN MOTEUR	KABEL, MOTORBREMSE	534 (HONDA GCV 135/160/190)
-	181000755/0	1	CAVO FRENO MOTORE	CABLE, THREAD ENGINE BRAKE	CABLE FREIN MOTEUR	KABEL, MOTORBREMSE	484 (B&S 675 SERIES)
-	181000755/0	1	CAVO FRENO MOTORE	CABLE, THREAD ENGINE BRAKE	CABLE FREIN MOTEUR	KABEL, MOTORBREMSE	534 (B&S 675 SERIES)
77	81003298/1	1	LEVA FRENO MOTORE	LEVER, ENGINE BRAKE	LEVIER FREIN MOTEUR	HEBEL, MOTORBREMSE	
78	12154510/0	1	DADO	NUT	ECROU	MUTTER	

<b>M</b>		<b>ML</b>	
<b>484</b>		<b>534</b>	
<b>TR</b>	<b>TR/E</b>	<b>TR 4S</b>	<b>TR/E 4S</b>

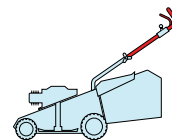


2008
<b>681a.0</b>
1 / 1

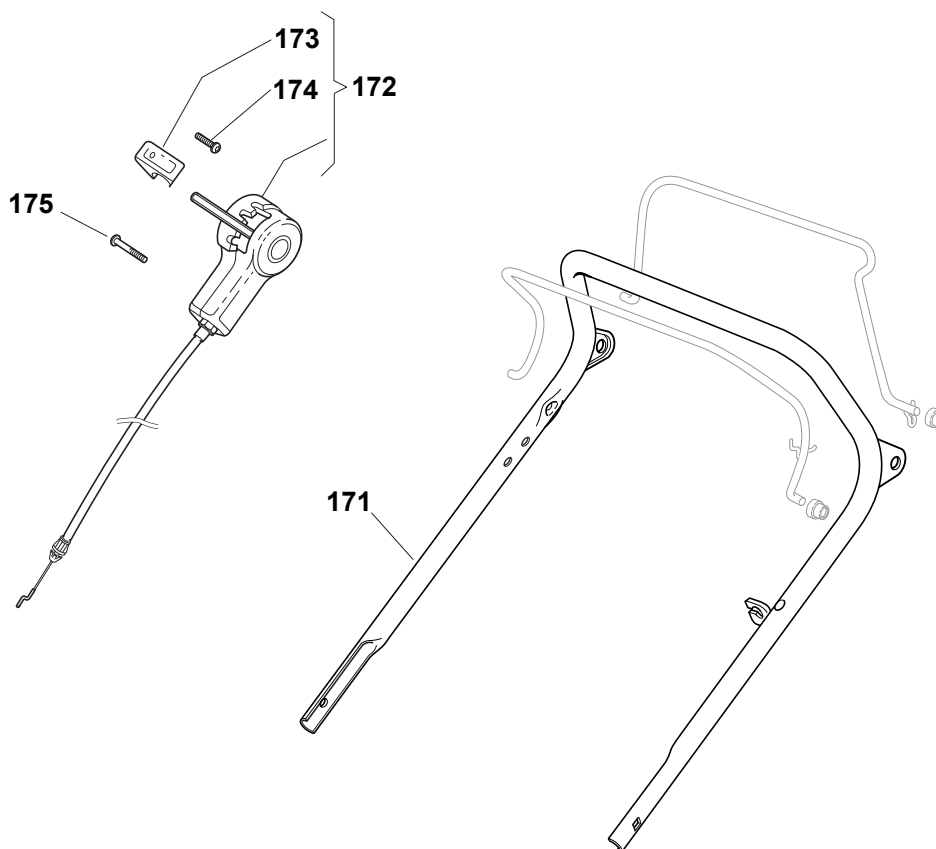


POS.	CODE	Q.TY	DESCRIZIONE	DESCRIPTION	DESCRIPTION	BESCHREIBUNG	REMARKS
81	81006532/0	1	MANICO, PARTE INF	HANDLE, LOWER PART	MANCHERON, PARTIE INFERIEURE	HOLM, UNTERTEIL	
82	22785081/1	2	SUPPORTO ESTERNO	SUPPORT, EXTERNAL	SUPPORT EXTERNE	HALTER, AUSSERE	
83	22785082/0	1	SUPPORTO INTERNO DX	SUPPORT, R INTERNAL	SUPPORT INTERNE D	HALTER, INNERE R	
84	22785083/1	1	SUPPORTO INTERNO SX	SUPPORT, L INTERNAL	SUPPORT INTERNE G	HALTER, INNERE L	
86	22551575/0	2	PIASTRINA INTERNA	PLATE, INSIDE	PLAQUETTE INTERNE	PLATTE, INNERE	
87	12793701/0	2	VITE	SCREW	VIS	SCHRAUBE	
88	12155000/0	2	DADO	NUT	ECROU	MUTTER	
89	12521350/0	2	ROSETTA	WASHER	RONDELLE	SCHEIBE	
90	12691810/0	2	VITE	SCREW	VIS	SCHRAUBE	
91	22399803/0	2	MANOPOLINA	KNOB	POIGNÉE	GRIFF	
92	12293202/0	2	DADO	NUT	ECROU	MUTTER	
93	81008623/1	1	DOTAZIONE VITERIA	OUTFIT, SCREWS	DOTATION VISSERIE	SATZ, SCHRAUBEN	

M		ML	
484		534	
TR	TR/E	TR 4S	TR/E 4S

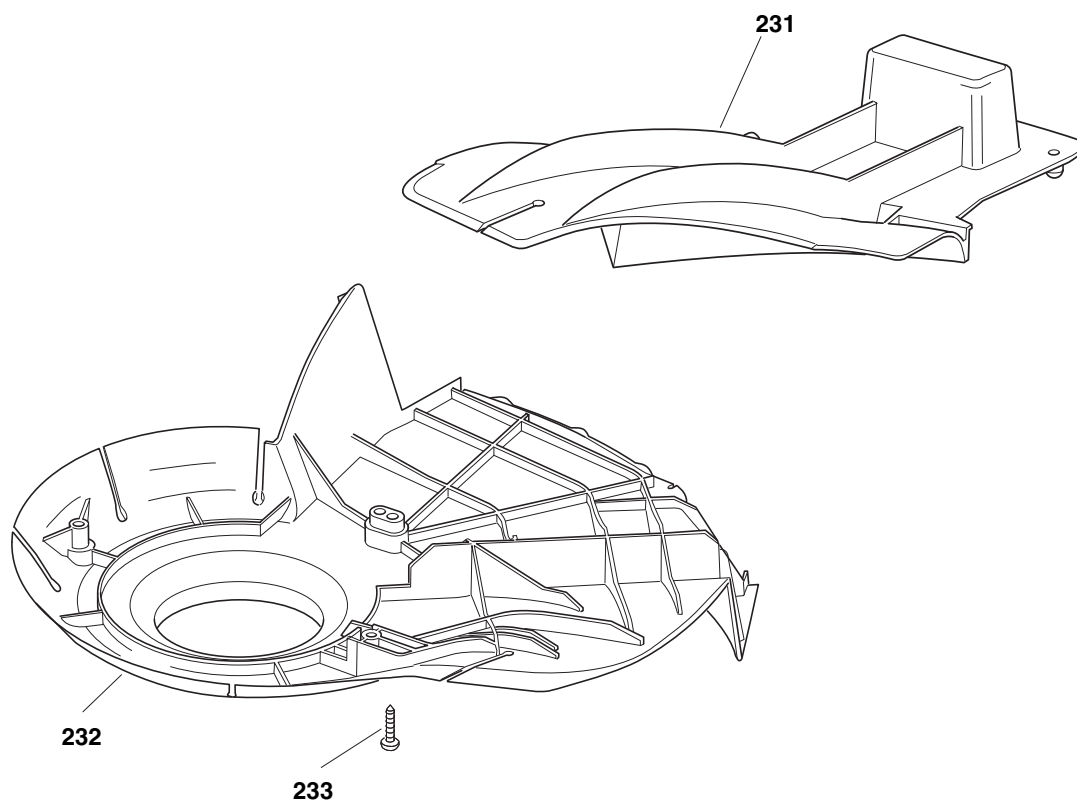


2008
<b>681b.0</b>
1 / 1



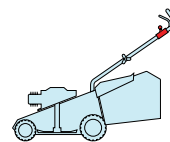
POS.	CODE	Q.TY	DESCRIZIONE	DESCRIPTION	DESCRIPTION	BESCHREIBUNG	REMARKS
171	81006863/0	1	MANICO, PARTE SUP	HANDLE, UPPER PART	MANCHERON, PARTIE SUPERIEURE	HOLM, OBERTEIL	
172	81007109/0	1	CAVO COMANDO MARCE	CABLE, SPEED DRIVE CONTROL	CABLE, COMM. CHANGE-MENT VITESSE	KABEL, GÄNGESCHALTUN	484 4S
-	81007110/0	1	CAVO COMANDO MARCE	CABLE, SPEED DRIVE CONTROL	CABLE, COMM. CHANGE-MENT VITESSE	KABEL, GÄNGESCHALTUN	534 4S
173	22399809/0	1	MANOPOLINA	KNOB	POIGNÉE	GRIFF	4S
174	12728300/0	1	VITE	SCREW	VIS	SCHRAUBE	4S
175	12728702/0	2	VITE	SCREW	VIS	SCHRAUBE	4S

<b>M</b>		<b>ML</b>		2008
<b>484</b>		<b>534</b>		<b>681c.0</b>
<b>TR</b>	<b>TR/E</b>	<b>TR 4S</b>	<b>TR/E 4S</b>	1 / 1

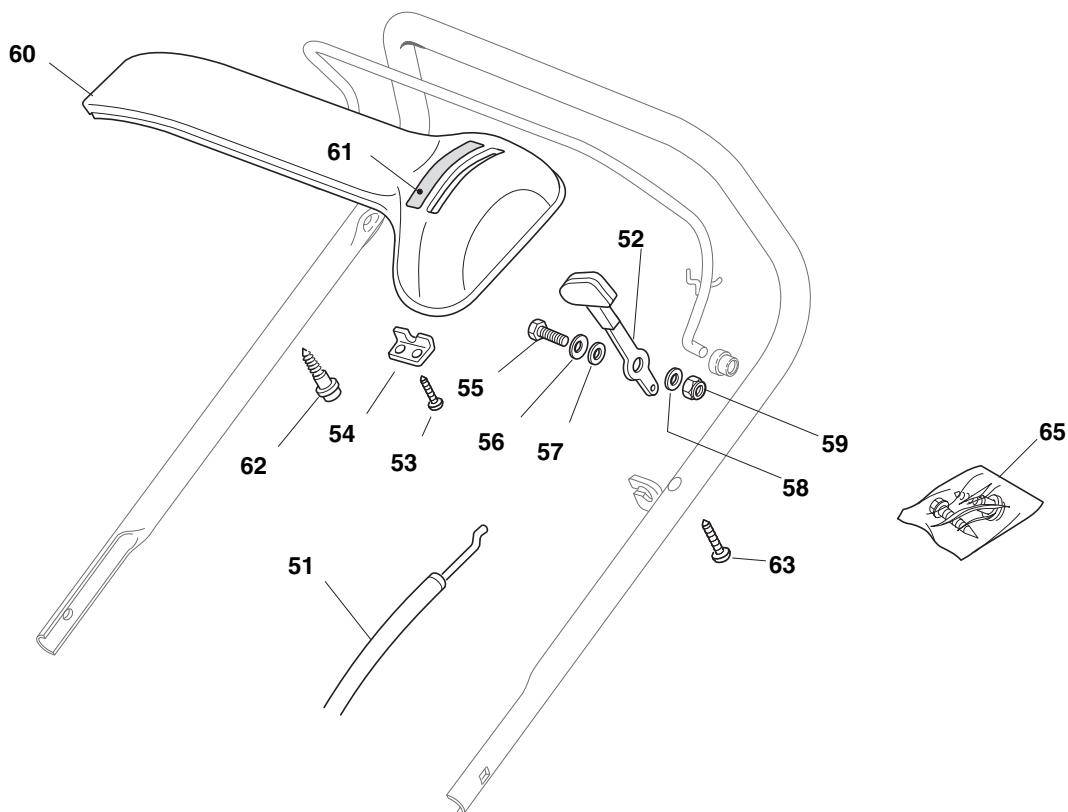


POS.	CODE	Q.TY	DESCRIZIONE	DESCRIPTION	DESCRIPTION	BESCHREIBUNG	REMARKS
231	22140223/0	1	DEFLETTORE	DEFLECTOR	DEFLECTEUR	DEFLEKTOR	484
-	22140222/0	1	DEFLETTORE	DEFLECTOR	DEFLECTEUR	DEFLEKTOR	534
232	22060198/0	1	CARTER	PROTECTION	PROTECTION	SCHUTZ	484
-	322060197/2	1	CARTER	PROTECTION	PROTECTION	SCHUTZ	534
233	12728530/0	3	VITE	SCREW	VIS	SCHRAUBE	

<b>M</b>		<b>ML</b>	
<b>484</b>		<b>534</b>	
<b>TR</b>	<b>TR/E</b>	<b>TR 4S</b>	<b>TR/E 4S</b>



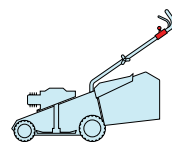
2008
<b>682.0</b>
1 / 1



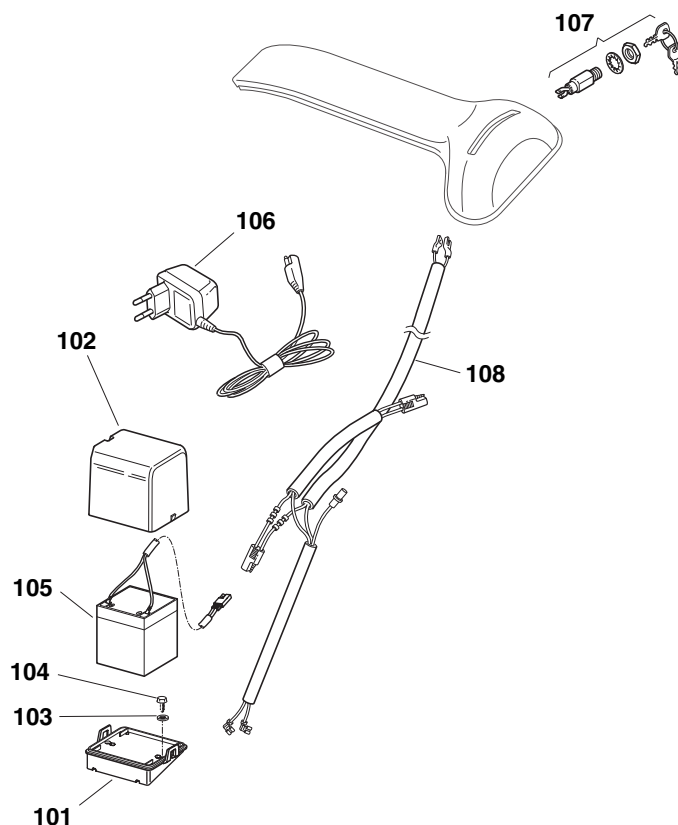
POS.	CODE	Q.TY	DESCRIZIONE	DESCRIPTION	DESCRIPTION	BESCHREIBUNG	REMARKS
51	81007160/0	1	CAVO ACCELERATORE	THROTTLE CABLE	CABLE, ACCELERATEUR	GASHEBEL KABEL	
52	81007280/2	1	LEVA, ACCELERATORE	LEVER, THROTTLE	LEVIER,	HEBEL, BESHLEUNIGER	(B&S 625/650/675 SERIES - HONDA - GGP 160/200 CC)
-	81007221/0	1	LEVA, ACCELERATORE	LEVER, THROTTLE	LEVIER,	HEBEL, BESHLEUNIGER	(B&S 450/500 SERIES - GGP 150 CC)
53	12735105/0	2	VITE	SCREW	VIS	SCHRAUBE	
54	22981467/0	1	PIASTRINA	PLATE	PLAQUETTE	PLATTE	
55	12791500/0	1	VITE	SCREW	VIS	SCHRAUBE	
56	12530060/0	1	ROSETTA ELASTICA	ELASTIC WASHER	RONDELLE ELASTIQUE	ELASTISCHE SCHEIBE	
57	12523040/0	1	ROSETTA	WASHER	RONDELLE	SCHEIBE	
58	12523040/0	1	ROSETTA	WASHER	RONDELLE	SCHEIBE	
59	12154510/0	1	DADO	NUT	ECROU	MUTTER	
60	22120152/0	1	CRUSCOTTO GIALLO	DASH BOARD YELLOW	CONSOLE JAUNE	KONSOLE GELBE	
-	22120154/0	1	CRUSCOTTO ROSSO	DASH BOARD RED	CONSOLE ROUGE	KONSOLE ROTE	
-	22120158/0	1	CRUSCOTTO NERO	DASH BOARD BLACK	CONSOLE NOIRE	KONSOLE SCHWARZE	
61	114356744/1	1	ETICHETTA	LABEL	ETIQUETTE	ETIKETTE	(B&S)
-	114356743/1	1	ETICHETTA	LABEL	ETIQUETTE	ETIKETTE	(HONDA - GGP ENGINE)
62	22943006/0	1	VITE	SCREW	VIS	SCHRAUBE	
63	12728460/0	1	VITE	SCREW	VIS	SCHRAUBE	
65	81008609/0	1	DOTAZIONE VITERIA CRUSCOTTO	OUTFIT, DASH-BOARD SCREWS	DOTATION VISSERIE CONSOLLE	SATZ, KONSOLLE SCHRAUBEN	



<b>M</b>		<b>ML</b>	
<b>484</b>		<b>534</b>	
<b>TR</b>	<b>TR/E</b>	<b>TR 4S</b>	<b>TR/E 4S</b>

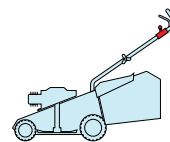


2008
<b>682a.0</b>
1 / 1

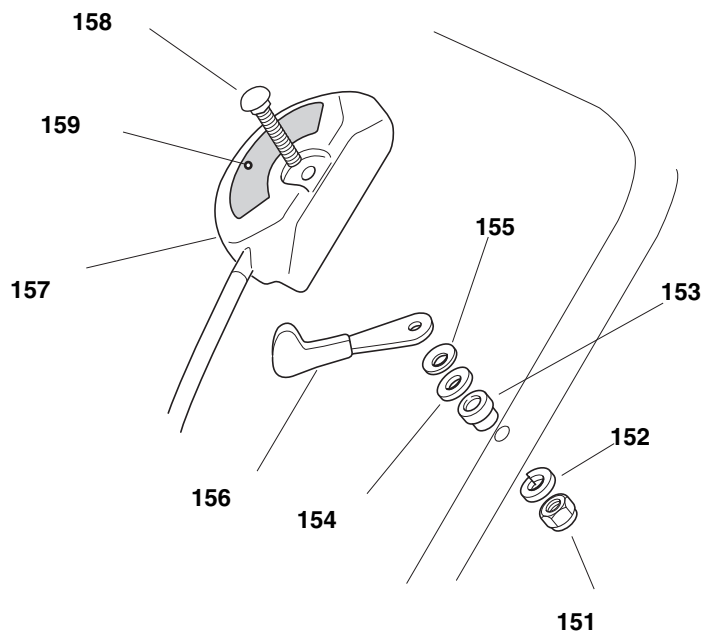


POS.	CODE	Q.TY	DESCRIZIONE	DESCRIPTION	DESCRIPTION	BESCHREIBUNG	REMARKS
101	22785123/0	1	SUPPORTO BATTERIA	SUPPORT, BATTERY	SUPPORT BATTERIE	HALTER, BATTERIE	
102	22109530/0	1	COPERCHIO	COVER	COUVERCLE	DECKEL	
103	12521310/0	2	ROSETTA	WASHER	RONDELLE	SCHEIBE	
104	12731590/0	2	VITE	SCREW	VIS	SCHRAUBE	
105	18120052/0	1	BATTERIA	BATTERY	BATTERIE	BATTERIE	
106	18204120/0	1	CARICA BATTERIA	BATTERY CHARGER	CHARGEUR DE	LADGERÄT	
-	18204121/0	1	CARICA BATTERIA	BATTERY CHARGER	CHARGEUR DE	LADGERÄT	(UK)
107	18450050/0	1	INTERRUTTORE	SWITCH	INTERRUPTEUR	SCHALTER	
108	118204192/3	1	CAVO AVVIAMENTO	CABLE, START	CABLE DÉMARRAGE	KABEL, START	(B&S - GGP ENGINE)
-	18204198/0	1	CAVO AVVIAMENTO	CABLE, START	CABLE DÉMARRAGE	KABEL, START	(HONDA)

<b>M</b>		<b>ML</b>	
<b>484</b>		<b>534</b>	
<b>TR</b>	<b>TR/E</b>	<b>TR 4S</b>	<b>TR/E 4S</b>

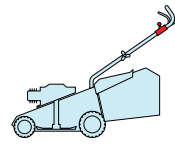


2008
<b>682b.0</b>
1 / 1

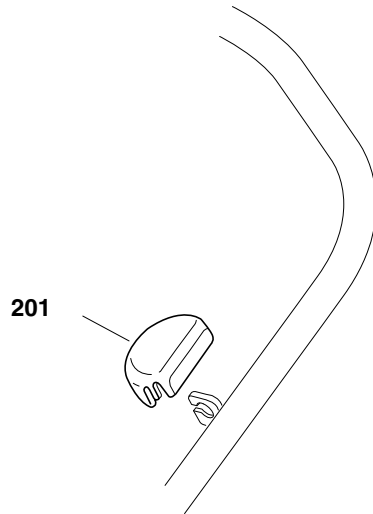


POS.	CODE	Q.TY	DESCRIZIONE	DESCRIPTION	DESCRIPTION	BESCHREIBUNG	REMARKS
151	12291000/0	1	DADO	NUT	ECROU	MUTTER	.
152	12581500/0	1	GROWER	GROWER	GROWER	FEDERRING	.
153	22171005/0	1	DISTANZIALE	SPACER	ENTRETOISE	DISTANZRING	.
154	12521360/0	1	ROSETTA	WASHER	RONDELLE	SCHEIBE	.
155	12508100/0	1	ROSETTA ELASTICA	SPRING WASHER	RONDELLE ELASTIQUE	ELASTISCHE SCHEIBE	.
156	81007279/1	1	LEVA, ACCELERATORE	LEVER, THROTTLE	LEVIER, ACCELERATEUR	HEBEL, BESHLEUNIGER	(B&S 625/650/675 SERIES - HONDA - GGP 160/200 CC)
-	81007220/0	1	LEVA, ACCELERATORE	LEVER, THROTTLE	LEVIER, ACCELERATEUR	HEBEL, BESHLEUNIGER	(B&S 450/500 SERIES - GGP 150 CC)
157	81007080/0	1	CAVO ACCELERATORE	THROTTLE CABLE	CABLE, ACCELERATEUR	GASHEBEL KABEL	.
158	12815000/0	1	VITE	SCREW	VIS	SCHRAUBE	.
159	14356703/0	1	ETICHETTA	LABEL	ETIQUETTE	ETIKETTE	(B&S)
-	14356702/0	1	ETICHETTA	LABEL	ETIQUETTE	ETIKETTE	(GGP ENGINE - HONDA)

<b>M</b>		<b>ML</b>	
<b>484</b>		<b>534</b>	
<b>TR</b>	<b>TR/E</b>	<b>TR 4S</b>	<b>TR/E 4S</b>

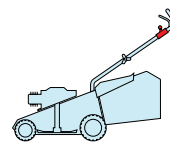


2008
<b>682c.0</b>
1 / 1

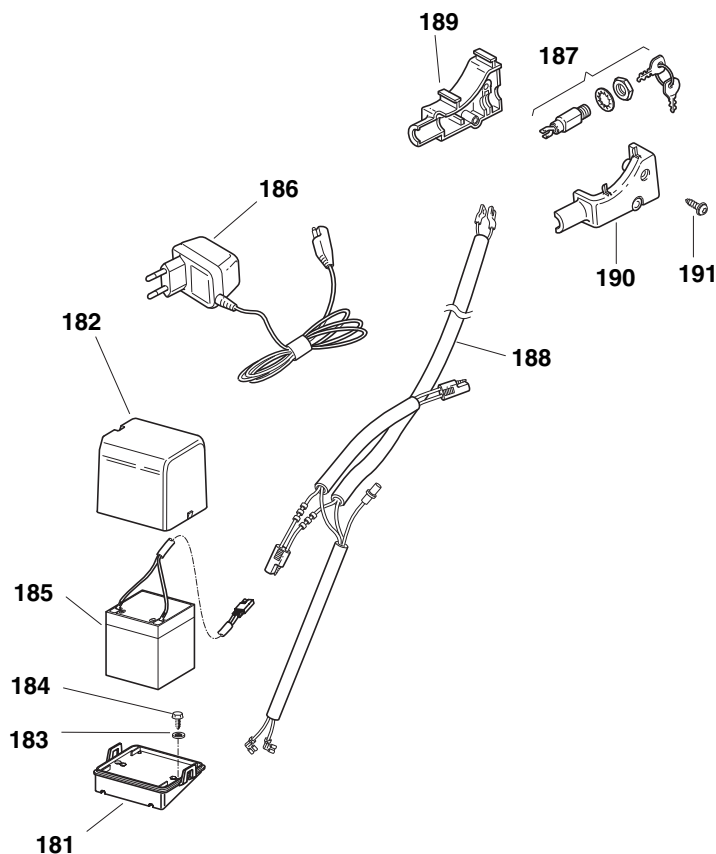


POS.	CODE	Q.TY	DESCRIZIONE	DESCRIPTION	DESCRIPTION	BESCHREIBUNG	REMARKS
201	22601000/0	1	PROTEZIONE	PROTECTION	PROTECTION	SCHUTZ	

<b>M</b>		<b>ML</b>	
<b>484</b>		<b>534</b>	
<b>TR</b>	<b>TR/E</b>	<b>TR 4S</b>	<b>TR/E 4S</b>

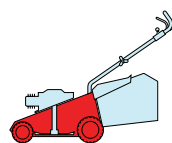


2008
<b>682d.0</b>
1 / 1

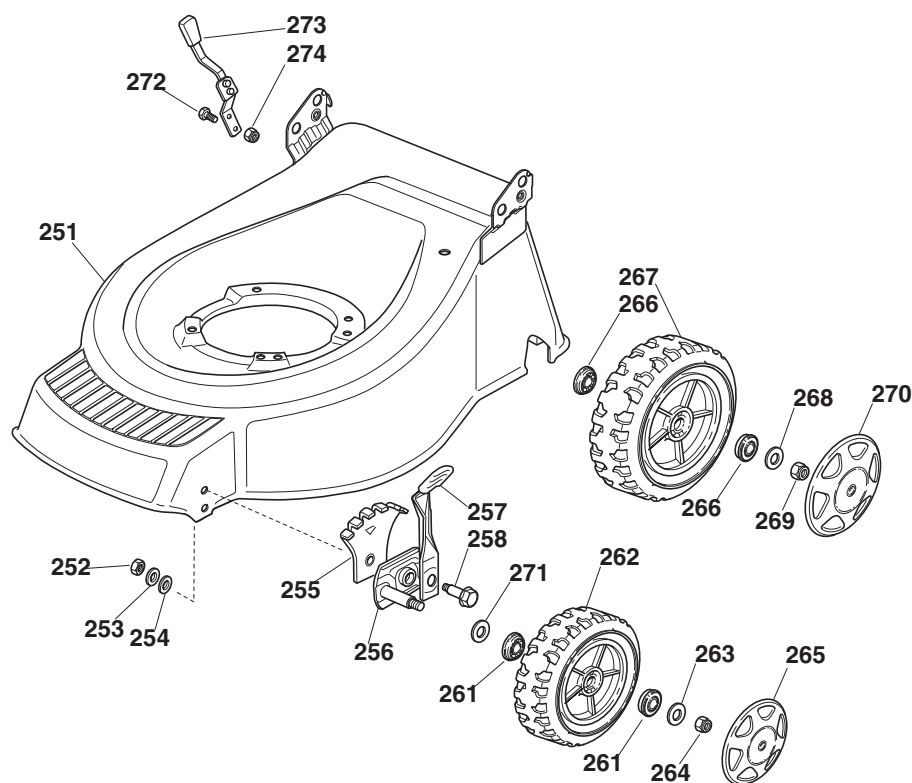


POS.	CODE	Q.TY	DESCRIZIONE	DESCRIPTION	DESCRIPTION	BESCHREIBUNG	REMARKS
181	22785123/0	1	SUPPORTO BATTERIA	SUPPORT, BATTERY	SUPPORT BATTERIE	HALTER, BATTERIE	4S
182	22109530/0	1	COPERCHIO	COVER	COUVERCLE	DECKEL	4S
183	12521310/0	2	ROSETTA	WASHER	RONDELLE	SCHEIBE	S4
184	12731590/0	2	VITE	SCREW	VIS	SCHRAUBE	4S
185	18120052/0	1	BATTERIA	BATTERY	BATTERIE	BATTERIE	4S
186	18204120/0	1	CARICA BATTERIA	BATTERY CHARGER	CHARGEUR DE	LADGERÄT	4S
186	18204121/0	1	CARICA BATTERIA	BATTERY CHARGER	CHARGEUR DE	LADGERÄT	4S (UK)
187	18450050/0	1	INTERRUTTORE	SWITCH	INTERRUPTEUR	SCHALTER	4S
188	118204192/3	1	CAVO AVVIAMENTO	CABLE, START	CABLE DÉMARRAGE	KABEL, START	4S (B&S - GGP ENGINE)
-	18204198/0	1	CAVO AVVIAMENTO	CABLE, START	CABLE DÉMARRAGE	KABEL, START	4S (HONDA)
189	22722804/0	1	PROTEZIONE DX	R PROTECTION	PROTECTION D	RECHTE SCHUTZ	4S
190	22722805/0	1	PROTEZIONE SX	L PROTECTION	PROTECTION G	LINKE SCHUTZ	4S
191	12728300/0	1	VITE	SCREW	VIS	SCHRAUBE	4S

<b>M</b>		<b>ML</b>	
<b>484</b>		<b>534</b>	
<b>TR</b>	<b>TR/E</b>	<b>TR 4S</b>	<b>TR/E 4S</b>

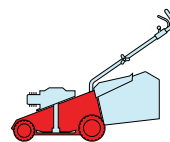


2008
<b>683.0</b>
1 / 1

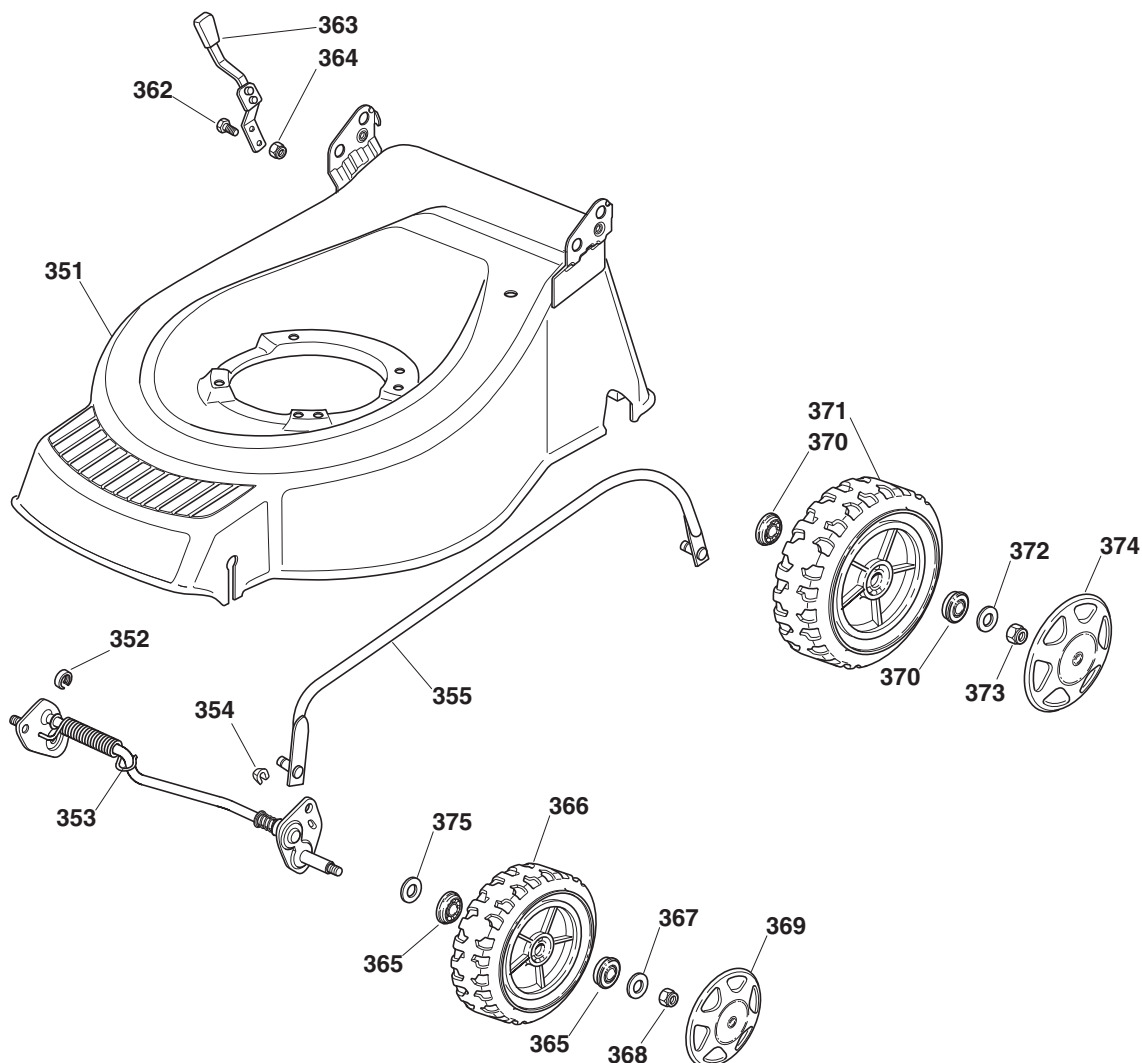


POS.	CODE	Q.TY	DESCRIZIONE	DESCRIPTION	DESCRIPTION	BESCHREIBUNG	REMARKS
251	81002974/0	1	CHASSIS GIALLO	DECK YELLOW	CHÂSSIS JAUNE	GEHÄUSE GELB	484
-	81002912/0	1	CHASSIS GIALLO	DECK YELLOW	CHÂSSIS JAUNE	GEHÄUSE GELB	534
252	12293200/0	2	DADO	NUT	ECROU	MUTTER	
253	12583500/0	2	GROWER	GROWER	GROWER	FEDERRING	
254	12523070/0	2	ROSETTA	WASHER	RONDELLE	SCHEIBE	
255	22735547/0	2	SETTORE REGOLAZIONE ALTEZZA	SECTOR, HEIGHT ADJUSTMENT	SECTEUR REGLAGE HAUTEUR	SEKTOR, HÖHEVERSTELLUNG	
256	81005082/0	2	SUPPORTO RUOTA	SUPPORT, WHEEL	SUPPORT ROUE	HALTER, RAD	
257	81003285/1	2	LEVA REGOLAZIONE ALTEZZA	LEVER, HEIGHT ADJUSTMENT	LEVIER, REGLAGE HAUTEUR	HEBEL, HÖHEVERSTELLUNG	
258	22519811/0	2	PERNO	PIN	PIVOT	BOLZEN	
261	22122200/0	4	CUSCINETTO	BEARING	COUSSINET	LAGER	
262	81007351/0	2	RUOTA SCOLPITA Ø 170	WHEEL, KNOBBLY Ø 170	ROUE SCULPTEE Ø 170	RAD M. STOLLENPR. Ø 170	
263	12521350/0	2	ROSETTA	WASHER	RONDELLE	SCHEIBE	
264	12155000/0	2	DADO	NUT	ECROU	MUTTER	
265	-	2	COPRIMOZZO	HUB CAP	COUVRE-MOYEU	RADKAPPE	(SEE ENCLOSURE 1)
266	22122200/0	4	CUSCINETTO	BEARING	COUSSINET	LAGER	
267	81007343/0	2	RUOTA SCOLPITA Ø 210	WHEEL, KNOBBLY Ø 210	ROUE SCULPTEE Ø 210	RAD M. STOLLENPR. Ø 210	
268	12369500/0	2	DISCO ELASTICO	ELASTIC WASHER	DISQUE ELASTIQUE	FEDERSCHEIBE	
269	12155000/0	2	DADO	NUT	ECROU	MUTTER	
270	-	2	COPRIMOZZO	HUB CAP	COUVRE-MOYEU	RADKAPPE	(SEE ENCLOSURE 2)
271	12530150/0	2	ROSETTA ELASTICA	ELASTIC WASHER	RONDELLE ELASTIQUE	ELASTISCHE SCHEIBE	
272	12789000/0	2	VITE	SCREW	VIS	SCHRAUBE	
273	81003279/2	1	LEVA REGOLAZIONE ALTEZZA	LEVER, HEIGHT ADJUSTMENT	LEVIER, REGLAGE HAUTEUR	HEBEL, HÖHEVERSTELLUNG	
274	12154330/0	2	DADO	NUT	ECROU	MUTTER	

<b>M</b>		<b>ML</b>	
<b>484</b>		<b>534</b>	
<b>TR</b>	<b>TR/E</b>	<b>TR 4S</b>	<b>TR/E 4S</b>



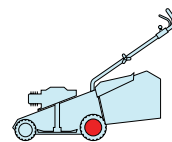
2008
<b>683a.0</b>
1 / 2



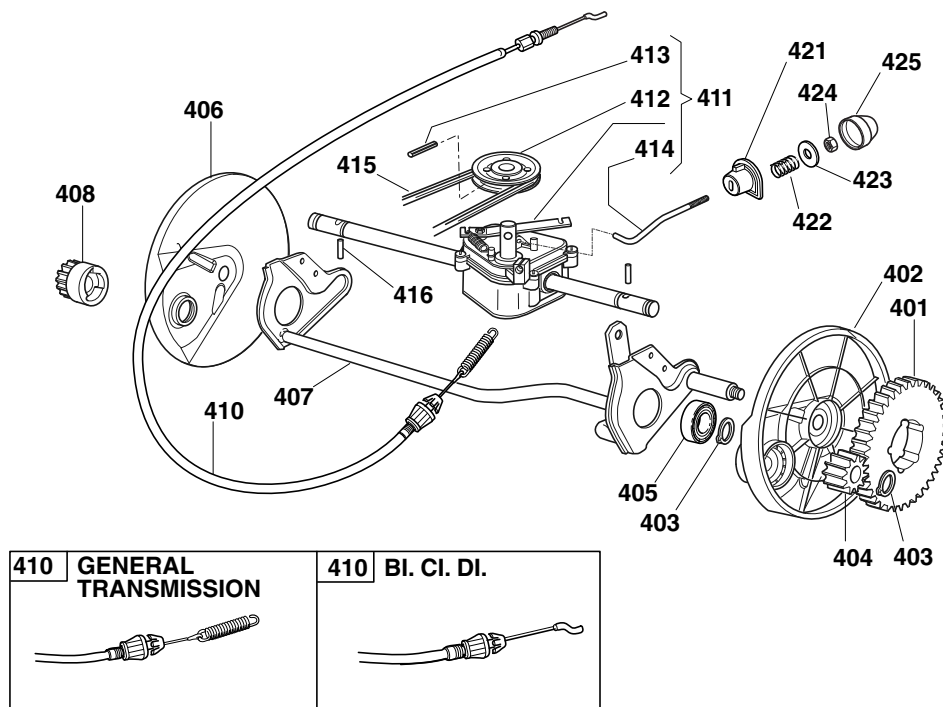
POS.	CODE	Q.TY	DESCRIZIONE	DESCRIPTION	DESCRIPTION	BESCHREIBUNG	REMARKS
351	81002422/0	1	CHASSIS GIALLO	DECK YELLOW	CHÂSSIS JAUNE	GEHÄUSE GELB	484
-	81001955/1	1	CHASSIS GIALLO	DECK YELLOW	CHÂSSIS JAUNE	GEHÄUSE GELB	534
352	22171002/0	1	DISTANZIALE	SPACER	ENTRETOISE	DISTANZRING	
353	81000141/1	1	ASSE RUOTE ANTERIORI	AXLE, FRONT WHEELS	AXE ROUES AVANT	ACHSE, VORDERRAD	484
-	81000143/1	1	ASSE RUOTE ANTERIORI	AXLE, FRONT WHEELS	AXE ROUES AVANT	ACHSE, VORDERRAD	534
354	12436050/0	2	PIASTRINA	PLATE	PLAQUETTE	PLÄTTCHEN	
355	81006481/1	1	ASTA COMANDO REGOL. ALTEZZA	ROD, HEIGHT ADJUSTMENT	TIGE COMMANDE REGLAGE HAUTEUR	STANGE, HÖHEVERSTELLUNG	484
-	81006483/1	1	ASTA COMANDO REGOL. ALTEZZA	ROD, HEIGHT ADJUSTMENT	TIGE COMMANDE REGLAGE HAUTEUR	STANGE, HÖHEVERSTELLUNG	534
362	12789000/0	2	VITE	SCREW	VIS	SCHRAUBE	
363	81003283/1	1	LEVA REGOLAZIONE ALTEZZA	LEVER, HEIGHT ADJUSTMENT	LEVIER, REGLAGE HAUTEUR	HEBEL, HÖHEVERSTELLUNG	
364	12154320/0	2	DADO	NUT	ECROU	MUTTER	
365	22122200/0	4	CUSCINETTO	BEARING	COUSSINET	LAGER	

POS.	CODE	Q.Q.TY	DESCRIZIONE	DESCRIPTION	DESCRIPTION	BESCHREIBUNG	REMARKS
366	81007351/0	2	RUOTA SCOLPITA Ø 170	WHEEL, KNOBBLY Ø 170	ROUE SCULPTEE Ø 170	RAD M. STOLLENPR. Ø 170	
367	12521350/0	2	ROSETTA	WASHER	RONDELLE	SCHEIBE	
368	12155000/0	2	DADO	NUT	ECROU	MUTTER	
369	-	2	COPRIMOZZO	HUB CAP	COUVRE-MOYEU	RADKAPPE	(SEE ENCLOSURE 1)
370	22122200/0	4	CUSCINETTO	BEARING	COUSSINET	LAGER	
371	81007343/0	2	RUOTA SCOLPITA Ø 210	WHEEL, KNOBBLY Ø 210	ROUE SCULPTEE Ø 210	RAD M. STOLLENPR. Ø 210	
372	12521350/0	2	ROSETTA	WASHER	RONDELLE	SCHEIBE	
373	12155000/0	2	DADO	NUT	ECROU	MUTTER	
374	-	2	COPRIMOZZO	HUB CAP	COUVRE-MOYEU	RADKAPPE	(SEE ENCLOSURE 2)
375	12530150/0	2	ROSETTA ELASTICA	ELASTIC WASHER	RONDELLE ELASTIQUE	ELASTISCHE SCHEIBE	

<b>M</b>		<b>ML</b>	
<b>484</b>		<b>534</b>	
<b>TR</b>	<b>TR/E</b>	<b>TR 4S</b>	<b>TR/E 4S</b>



2008
<b>684.0</b>
1 / 1



POS.	CODE	Q.TY	DESCRIZIONE	DESCRIPTION	DESCRIPTION	BESCHREIBUNG	REMARKS
401	22120105/1	2	CORONA	RING GEAR	COURONNE	KRANZ	
402	22600093/0	1	PROT. RUOTE SX	PROTECTION, L WHEEL	PROTECTION ROUE G	SCHÜTZ, LINKES	
403	12608600/0	4	SEEGER	SEEGER	SEEGER	SEEGER	
404	22570120/1	1	PIGNONE SX	PINION L	PIGNON G	RITZEL LINKES	
405	19216035/0	2	CUSCINETTO	BEARING	COUSSINET	LAGER	
406	22600092/0	1	PROT. RUOTE DX	PROTECTION, R WHEEL	PROTECTION ROUE D	SCHÜTZ, RECHTES	
407	81000147/0	1	ASSE RUOTE POSTERIORI	AXLE, REAR WHEELS	AXE ROUES ARRIERE	ACHSE, HINTERRAD	
408	22570110/1	1	PIGNONE DX	PINION R	PIGNON D	RITZEL RECHTES	
416	81000672/0	1	CAVO COMANDO TRAZIONE	CABLE, REAR DRIVE	CÂBLE, COMMANDE TRACTION	KABEL, ANTRIEB	(BI. CI. DI.)
-	81000668/1	1	CAVO COMANDO TRAZIONE	CABLE, REAR DRIVE	CÂBLE, COMMANDE TRACTION	KABEL, ANTRIEB	(GENERAL TRANSMISSION)
410	81003081/1	1	GRUPPO TRAZIONE (GRIGIO)	GEAR BOX (GREY)	GROUPE TRACTION	ANTRIEB (GRAU)	(BI. CI. DI.)
-	81003076/0	1	GRUPPO TRAZIONE	GEAR BOX	GROUPE TRACTION	ANTRIEB	(GENERAL TRANSMISSION)
412	22601904/0	1	PULEGGIA	PULLEY	POULIE	RIEMENSCHIEBE	
413	12645705/0	1	SPINA	PIN	GOUPILLE	STIFT	
414	22033280/0	1	ASTA REGOLAZIONE	ADJUSTMENT ROD	TIGE REGLAGE	VERSTELLUNGSTANGE	(BI. CI. DI.)
-	22033283/0	1	ASTA REGOLAZIONE	ADJUSTMENT ROD	TIGE REGLAGE	VERSTELLUNGSTANGE	(GENERAL TRANSMISSION)
415	35063800/0	1	CINGHIA Z 27	BELT Z 27	COURROIE Z 27	RIEMEN Z 27	484
-	35063902/0	1	CINGHIA Z 29.5	BELT Z 29.5	COURROIE Z 29.5	RIEMEN Z 29.5	534
416	22753000/0	2	SPINA	PIN	GOUPILLE	STIFT	
421	22041957/1	1	BUSSOLA	BUSH	DOUILLE	BUCHSE	
422	22450063/0	1	MOLLA	SPRING	RESSORT	FEDER	
423	22680009/0	1	ROSETTA	WASHER	RONDELLE	SCHEIBE	
424	12154510/0	1	DADO	NUT	ECROU	MUTTER	
425	22110230/0	1	TAPPO	CAP	BOUCHON	GUMMISTOPFEN	



M

484

TR

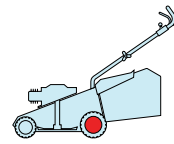
TR/E

ML

534

TR 4S

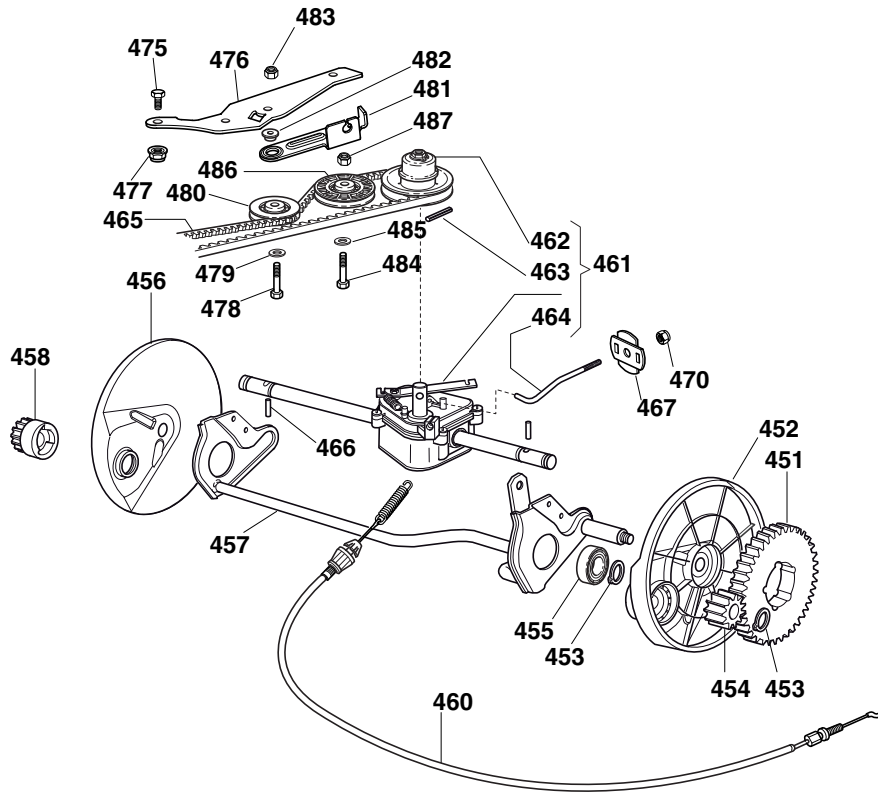
TR/E 4S



2008

684a.0

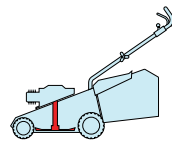
1 / 2



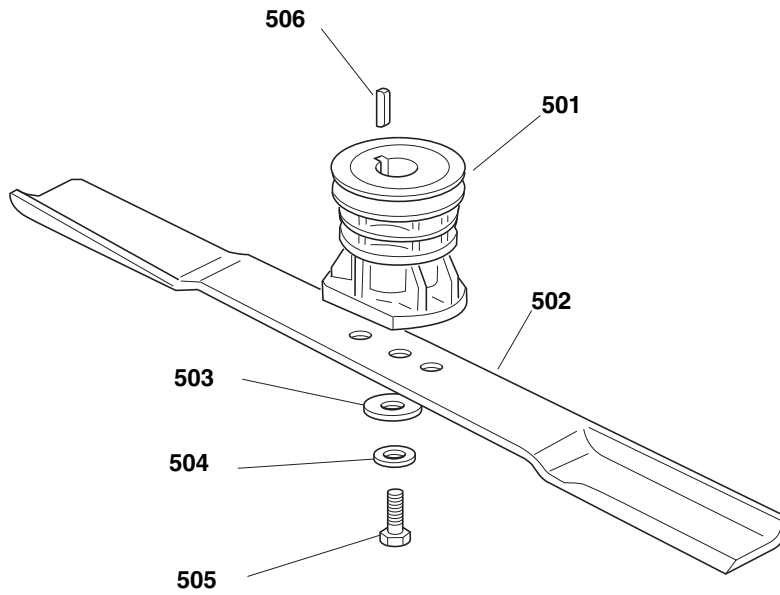
POS.	CODE	Q.TY	DESCRIZIONE	DESCRIPTION	DESCRIPTION	BESCHREIBUNG	REMARKS
451	22120105/1	2	CORONA	RING GEAR	COURONNE	KRANZ	
452	22600093/0	1	PROT. RUOTE SX	PROTECTION, L WHEEL	PROTECTION ROUE G	SCHÜTZ, LINKES	
453	12608600/0	4	SEEGER	SEEGER	SEEGER	SEEGER	
454	22570120/1	1	PIGNONE SX	PINION L	PIGNON G	RITZEL LINKES	
455	19216035/0	2	CUSCINETTO	BEARING	COUSSINET	LAGER	
456	22600092/0	1	PROT. RUOTE DX	PROTECTION, R WHEEL	PROTECTION ROUE D	SCHÜTZ, RECHTES	
457	81000147/0	1	ASSE RUOTE POSTERIORI	AXLE, REAR WHEELS	AXE ROUES ARRIERE	ACHSE, HINTERRAD	
458	22570110/1	1	PIGNONE DX	PINION R	PIGNON D	RITZEL RECHTES	
460	81000668/1	1	CAVO COMANDO TRAZIONE	CABLE, REAR DRIVE	CÂBLE, COMMANDE TRACTION	KABEL, ANTRIEB	(GENERAL TRANSMISSION)
461	81003096/1	1	GRUPPO TRAZIONE	GEAR BOX	GROUPE TRACTION	ANTRIEB	(GENERAL TRANSMISSION)
462	22601916/0	1	PULEGGIA	PULLEY	POULIE	RIEMENSCHIEBE	
463	12645700/0	1	SPINA	PIN	GOUPILLE	STIFT	
464	22033285/0	1	ASTA REGOLAZIONE	ADJUSTMENT ROD	TIGE REGLAGE	VERSTELLUNGSTANGE	(GENERAL TRANSMISSION)
465	35064005/0	1	CINGHIA SPZX 750	BELT SPZX 750	COURROIE SPZX 750	RIEMEN SPZX 750	484
-	35064010/0	1	CINGHIA SPZX 812	BELT SPZX 812	COURROIE SPZX 812	RIEMEN SPZX 812	534
466	22753000/0	2	SPINA	PIN	GOUPILLE	STIFT	
467	22675113/0	2	ROSETTA	WASHER	RONDELLE	SCHEIBE	
470	12154510/0	1	DADO	NUT	ECROU	MUTTER	
475	12791011/0	1	VITE	SCREW	VIS	SCHRAUBE	
476	22806625/0	1	SUPPORTO	SUPPORT	SUPPORT	HALTER	
477	12292102/0	1	DADO	NUT	ECROU	MUTTER	

POS.	CODE	Q.TY	DESCRIZIONE	DESCRIPTION	DESCRIPTION	BESCHREIBUNG	REMARKS
478	12689500/0	1	VITE	SCREW	VIS	SCHRAUBE	
479	12523050/0	1	ROSETTA	WASHER	RONDELLE	SCHEIBE	
480	22601915/0	1	PULEGGIA	PULLEY	POULIE	RIEMENSCHLEIBE	
481	22806623/0	1	SUPPORTO	SUPPORT	SUPPORT	HALTER	
482	22671656/0	1	ROSETTA	WASHER	RONDELLE	SCHEIBE	
483	12154510/0	1	DADO	NUT	ECROU	MUTTER	
484	12674700/0	1	VITE	SCREW	VIS	SCHRAUBE	
485	12523050/0	1	ROSETTA	WASHER	RONDELLE	SCHEIBE	
486	22601914/0	1	PULEGGIA	PULLEY	POULIE	RIEMENSCHLEIBE	
487	12154510/0	1	DADO	NUT	ECROU	MUTTER	

<b>M</b>		<b>ML</b>	
<b>484</b>		<b>534</b>	
<b>TR</b>	<b>TR/E</b>	<b>TR 4S</b>	<b>TR/E 4S</b>

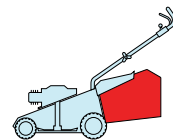


2008
<b>685.0</b>
1 / 1

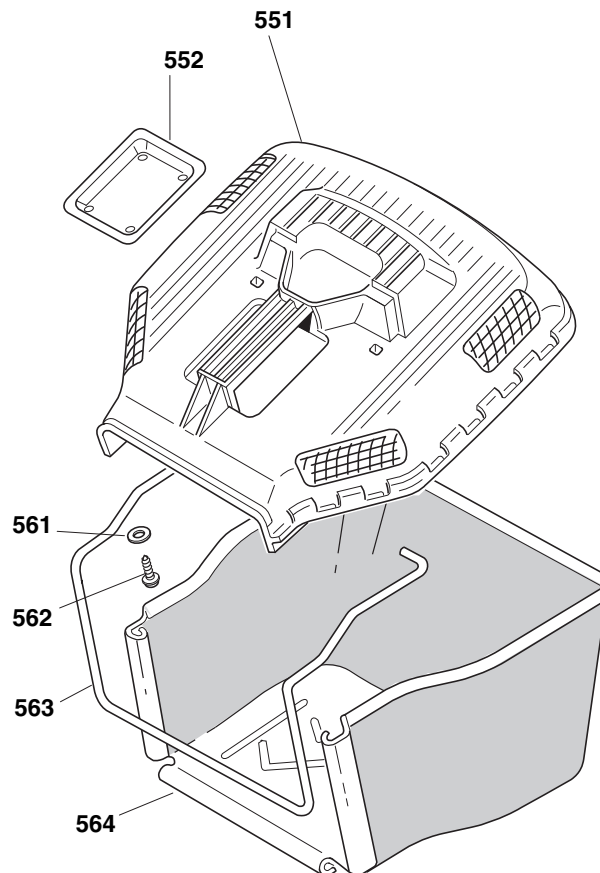
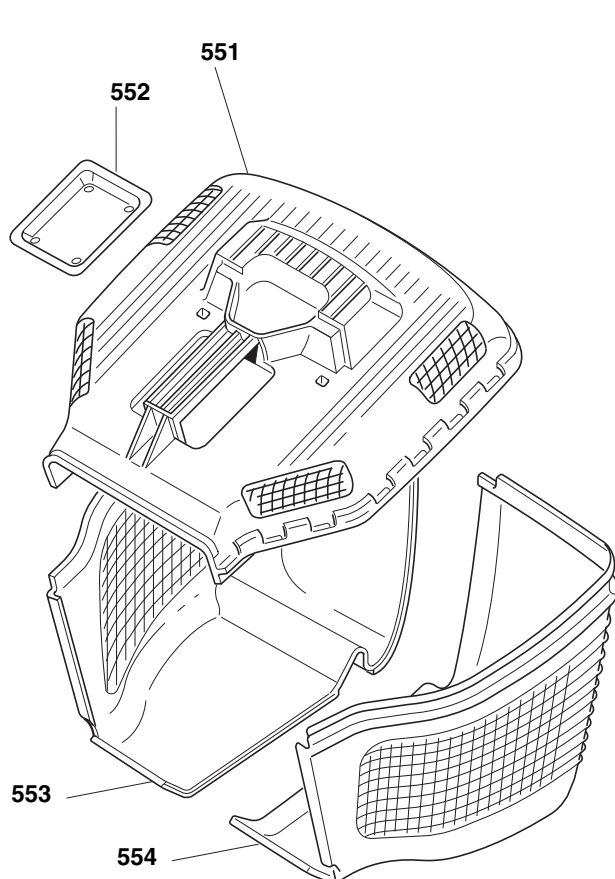


POS.	CODE	Q.TY	DESCRIZIONE	DESCRIPTION	DESCRIPTION	BESCHREIBUNG	REMARKS
501	22465607/2	1	MOZZO CON PULEGGIA, ALBERO MOTORE Ø 22.2	HUB WITH PULLEY, CRANKSHAFT Ø 22.2	MOYEU AVEC POULIE, ARBRE MOTEUR Ø 22.2	NABE MIT SCHEIBE, MOTORWELLE Ø 22.2	
-	122465608/1	1	MOZZO CON PULEGGIA, ALBERO MOTORE Ø 25	HUB WITH PULLEY, CRANKSHAFT Ø 25	MOYEU AVEC POULIE, ARBRE MOTEUR Ø 25	NABE MIT SCHEIBE, MOTORWELLE Ø 25	
502	81004346/3	1	COLTELLO STANDARD	BLADE STANDARD	LAME STANDARD	MESSER STANDARD	484
-	81004397/0	1	COLTELLO ALETTATO	BLADE WINGED	LAME AILETTÉE	MESSER FLÜGEL	484
-	81004381/1	1	COLTELLO STANDARD	BLADE STANDARD	LAME STANDARD	MESSER STANDARD	534
-	81004398/0	1	COLTELLO ALETTATO	BLADE WINGED	LAME AILETTÉE	MESSER FLÜGEL	534
503	22160400/0	1	DISCO ELASTICO	ELASTIC WASHER	RONDELLE ELASTIQUE	ELASTISCHE SCHEIBE	
504	12523080/0	1	ROSETTA	WASHER	RONDELLE	SCHEIBE	
505	12735698/0	1	VITE	SCREW	VIS	SCHRAUBE	
506	12139100/0	1	LINGUETTA, ALBERO MOTORE Ø 22.2	FEATHER, CRANKSHAFT Ø 22.2	CLAVETTE, ARBRE MOTEUR Ø 22.2	KEIL, MOTORWELLE Ø 22.2	(GENERAL TRANSMISSION)
-	12139150/0	1	LINGUETTA, ALBERO MOTORE Ø 25	FEATHER, CRANKSHAFT Ø 25	CLAVETTE, ARBRE MOTEUR Ø 25	KEIL, MOTORWELLE Ø 25	

<b>M</b>		<b>ML</b>	
<b>484</b>		<b>534</b>	
<b>TR</b>	<b>TR/E</b>	<b>TR 4S</b>	<b>TR/E 4S</b>



2008
<b>686.0</b>
1 / 1



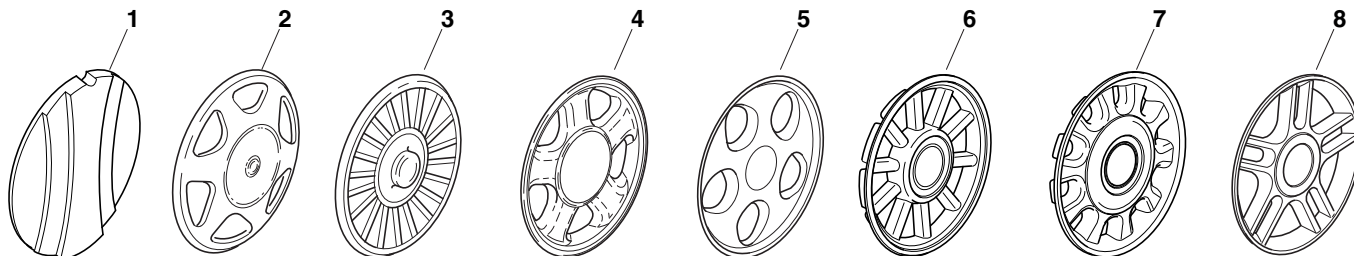
POS.	CODE	Q.TY	DESCRIZIONE	DESCRIPTION	DESCRIPTION	BESCHREIBUNG	REMARKS
551	22486095/0	1	SACCO, PARTE SUP	GRASS-BOX, UPPER PART	SAC, PARTIE SUPERIEURE	KORB, OBERTEIL	
552	22486098/0	1	PIASTRINA	PLATE	PLAQUETTE	PLATTE	
553	22486099/0	1	SACCO PARTE INF. DESTRA	GRASS-BOX, LOWER PART	SAC, PARTIE INFERIEURE	KORB, UNTERTEIL	
554	22486100/0	1	SACCO PARTE INF. SINISTRA	GRASS-BOX, LOWER PART	SAC, PARTIE INFERIEURE	KORB, UNTERTEIL	
561	12521460/0	2	ROSETTA	WASHER	RONDELLE	SCHEIBE	
562	12728300/0	2	VITE	SCREW	VIS	SCHRAUBE	
563	22608528/0	1	RINFORZO INF	STIFFENING LOWER	RÉNFORCEMENT INF	VERSTÄRKUNG	
564	81002235/0	1	SACCO, TELA	BOX, FABRIC	SAC, TOILE	SACK, TUCK	

# ENCLOSURE 1

2008

001.0

1 / 1



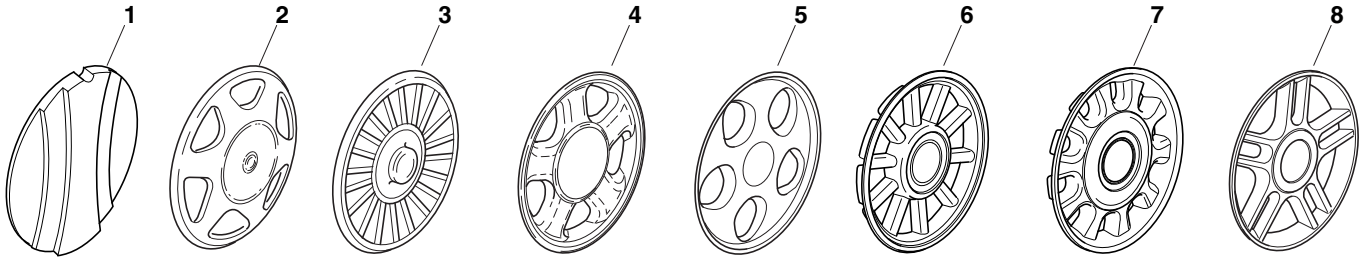
POS.	CODE	Q.TY	DESCRIZIONE	DESCRIPTION	DESCRIPTION	BESCHREIBUNG	REMARKS
1	22110252/1		COPRIMOZZO BIANCO	HUB CAP WHITE	COUVRE-MOYEU	RADKAPPE WEISSE	
-	22110254/1		COPRIMOZZO GIALLO	HUB CAP YELLOW	COUVRE-MOYEU	RADKAPPE GELBE	
-	22110255/1		COPRIMOZZO ROSSO	HUB CAP RED	COUVRE-MOYEU	RADKAPPE ROTE	
2	22110344/0		COPRIMOZZO BIANCO	HUB CAP WHITE	COUVRE-MOYEU	RADKAPPE WEIÙE	
-	22110395/0		COPRIMOZZO GRIGIO	HUB CAP GREY	COUVRE-MOYEU GRIS	RADKAPPE GRAU	
3	22110347/0		COPRIMOZZO GRIGIO	HUB CAP GREY	COUVRE-MOYEU GRIS	RADKAPPE GRAU	
4	22110381/0		COPRIMOZZO GRIGIO	HUB CAP GREY	COUVRE-MOYEU GRIS	RADKAPPE GRAU	
5	22110416/0		COPRIMOZZO GRIGIO	HUB CAP GREY	COUVRE-MOYEU GRIS	RADKAPPE GRAU	
6	22110495/0		COPRIMOZZO GRIGIO	HUB CAP GREY	COUVRE-MOYEU GRIS	RADKAPPE GRAU	
7	22110493/0		COPRIMOZZO GRIGIO	HUB CAP GREY	COUVRE-MOYEU GRIS	RADKAPPE GRAU	
8	22110491/0		COPRIMOZZO GRIGIO	HUB CAP GREY	COUVRE-MOYEU GRIS	RADKAPPE GRAU	

# ENCLOSURE 2

2008

002.0

1 / 1



POS.	CODE	Q.TY	DESCRIZIONE	DESCRIPTION	DESCRIPTION	BESCHREIBUNG	REMARKS
1	22110251/0		COPRIMOZZO BIANCO	HUB CAP WHITE	COUVRE-MOYEU	RADKAPPE WEISSE	
-	22110253/0		COPRIMOZZO GIALLO	HUB CAP YELLOW	COUVRE-MOYEU	RADKAPPE GELBE	
-	22110256/0		COPRIMOZZO ROSSO	HUB CAP RED	COUVRE-MOYEU	RADKAPPE ROTE	
2	22110313/0		COPRIMOZZO BIANCO	HUB CAP WHITE	COUVRE-MOYEU	RADKAPPE WEIÙE	
-	22110314/0		COPRIMOZZO GRIGIO	HUB CAP GREY	COUVRE-MOYEU GRIS	RADKAPPE GRAU	
3	22110348/0		COPRIMOZZO GRIGIO	HUB CAP GREY	COUVRE-MOYEU GRIS	RADKAPPE GRAU	
4	22110382/0		COPRIMOZZO GRIGIO	HUB CAP GREY	COUVRE-MOYEU GRIS	RADKAPPE GRAU	
5	22110417/0		COPRIMOZZO GRIGIO	HUB CAP GREY	COUVRE-MOYEU GRIS	RADKAPPE GRAU	
6	22110496/0		COPRIMOZZO GRIGIO	HUB CAP GREY	COUVRE-MOYEU GRIS	RADKAPPE GRAU	
7	22110494/0		COPRIMOZZO GRIGIO	HUB CAP GREY	COUVRE-MOYEU GRIS	RADKAPPE GRAU	
8	22110492/0		COPRIMOZZO GRIGIO	HUB CAP GREY	COUVRE-MOYEU GRIS	RADKAPPE GRAU	