

ILLUSTRATED PARTS LIST

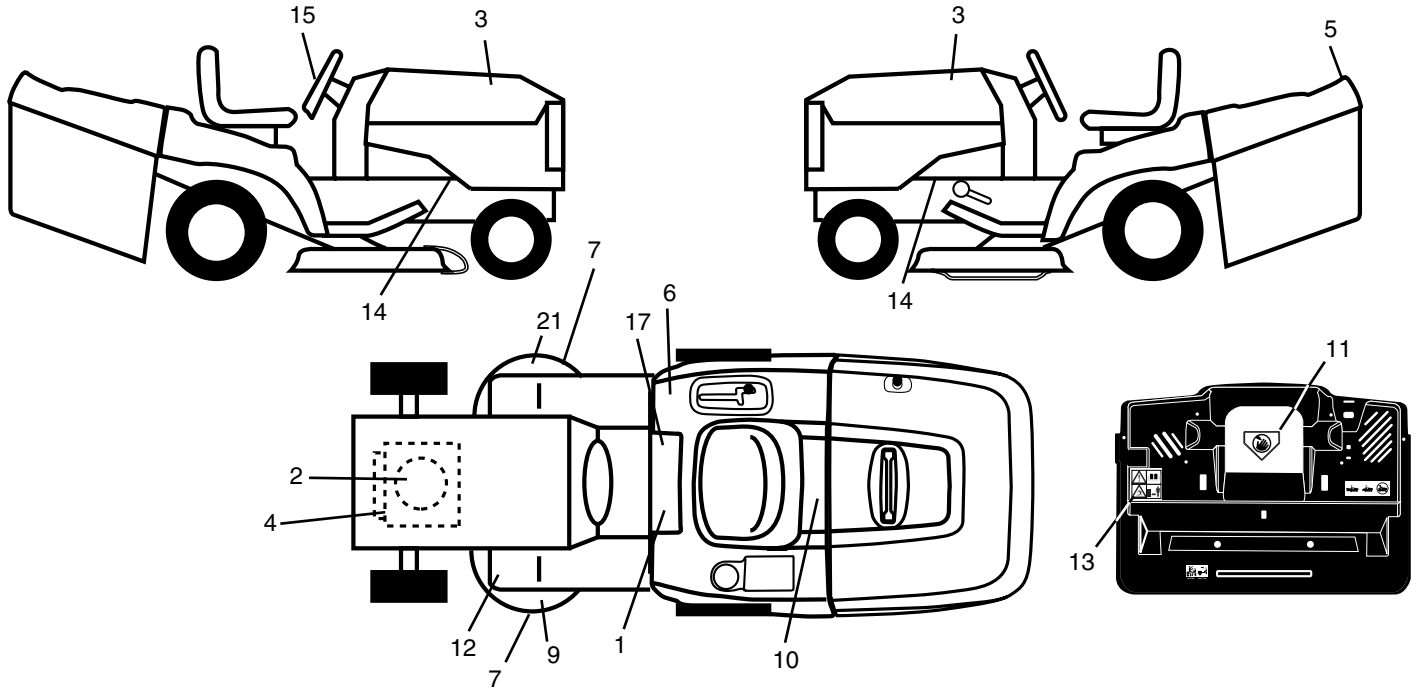
MODEL NO. 96061012401

CUSTOMER CATALOG NO. M135B92RB

PRODUCT NO. 960 11 01-24

REPAIR PARTS

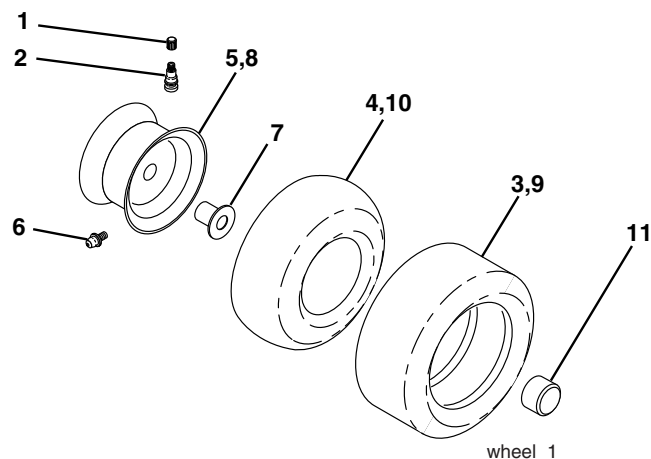
TRACTOR - - MODEL NO. M135B92RB (96061012401), PRODUCT NO.960 61 01-24
DECALS



| KEY NO. | PART NO. | DESCRIPTION |
|---------|--------------|-----------------------------------|
| 1 | 532 40 03-89 | Decal, Warning Syms. CE |
| 2 | 532 18 94-55 | Decal, Hp Engine |
| 3 | 532 40 20-32 | Decal, Hood |
| 4 | 532 19 68-41 | Decal, Warning Eng. Syms. |
| 5 | 532 40 19-00 | Decal, Fndr |
| 6 | 532 18 04-32 | Decal, 100 DBA/CE |
| 7 | 532 19 68-42 | Decal, SDL SHF/CRD Sym. Cutfinger |
| 9 | 532 18 78-11 | Decal, Mower Enviro |
| 10 | 532 14 50-05 | Decal, Bat Dan/Poi P/L Sym Wpn |
| 11 | 532 18 21-66 | Decal, Mower Cut Finger CE |

| KEY NO. | PART NO. | DESCRIPTION |
|---------|--------------|-------------------------------|
| 12 | 532 15 97-37 | Decal, Brake/Clutch Symbol Lt |
| 13 | 532 18 04-35 | Decal, Warn Back Plate CRD |
| 14 | 532 15 97-36 | Decal, Chassis Hot Muffler |
| 15 | 532 40 18-60 | Decal, Steering Wheel |
| 17 | 532 14 08-37 | Decal, Saddle Brake Parking |
| 21 | 532 16 62-86 | Decal, Hex Belt Sch 92 CRD |
| -- | 532 13 83-11 | Decal, Lift Handle |
| -- | 532 18 26-21 | Decal, Bagger Frame Asy. |
| -- | 532 18 10-91 | Pad Footrest LH |
| -- | 532 18 10-90 | Pad Footrest RH |
| -- | 532 40 09-09 | Manual Operator's (Euro) |

WHEELS & TIRES

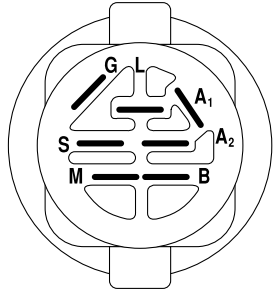
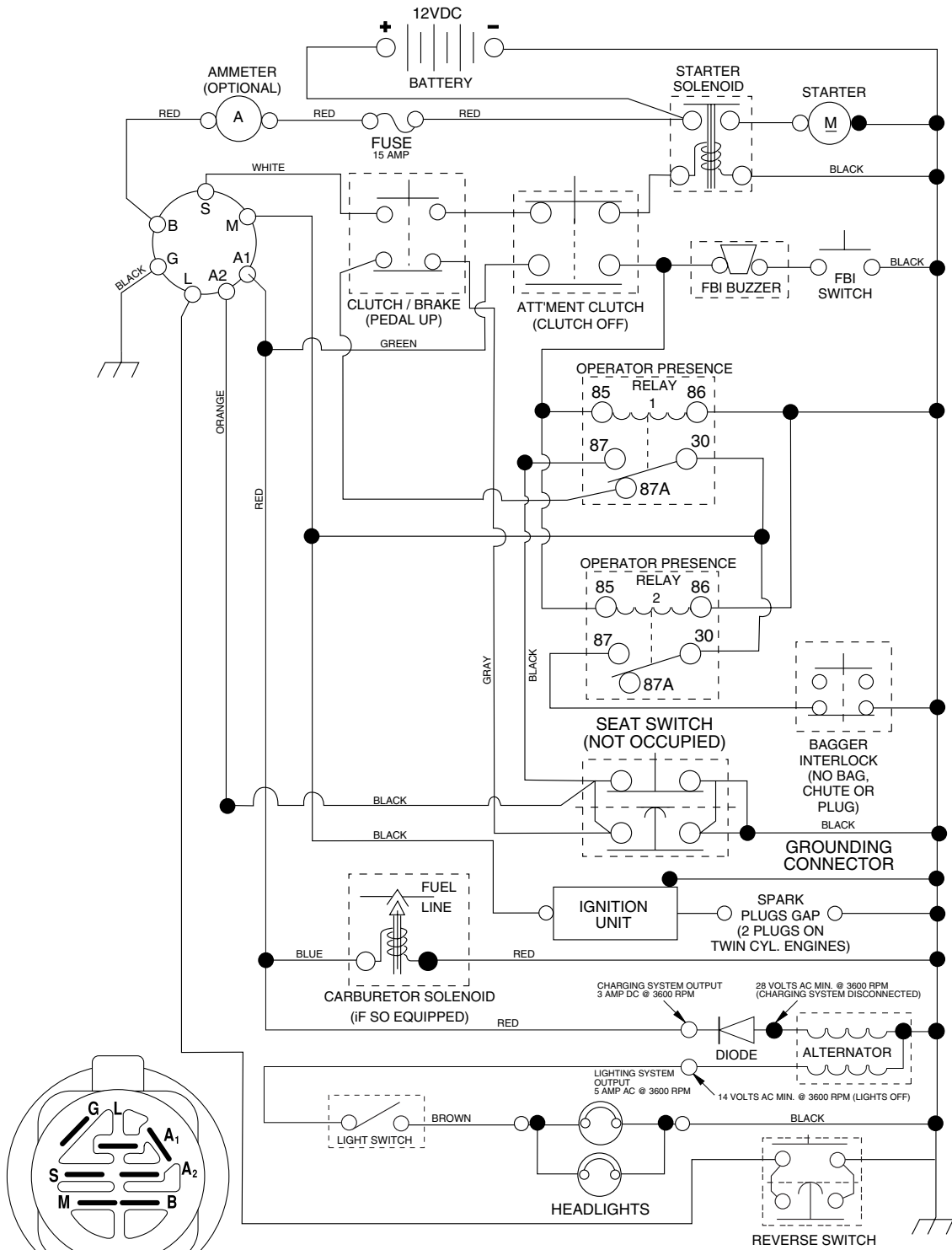


| KEY NO. | PART NO. | DESCRIPTION |
|---------|--------------|--------------------------------|
| 1 | 532 05 91-92 | Cap Value Tire |
| 2 | 532 06 51-39 | Stem Value |
| 3 | 532 12 41-57 | Tire F Ts 15 x 6 0 - 6 Service |
| 4 | 532 05 99-04 | Tube Inner Front #35060 |
| 5 | 532 12 51-21 | Rim Asm 6" front Service |
| 6 | 532 12 49-57 | Fitting Grease |
| 7 | 532 12 49-59 | Bearing Flange |
| 8 | 532 12 51-22 | Rim Asm 8" rear Service |
| 9 | 532 12 39-69 | Tire R Ts 18 x 8.5-8 C.Service |
| 10 | 532 12 49-26 | Tube Rear 9 5 x 8 Service |
| 11 | 532 17 50-39 | Cap Axle Blk 1 50 x 1 00 |
| -- | 532 14 43-34 | Sealant, Tire (10 oz. tube) |

NOTE: All component dimensions given in U.S. inches
1 inch = 25.4 mm

TRACTOR - - MODEL NO. M135B92RB (96061012401), PRODUCT NO.960 61 01-24 SCHEMATIC

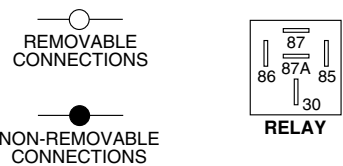
03055_197436 (WITH LIGHTS)



IGNITION SWITCH

| POSITION | CIRCUIT | "MAKE" |
|--------------|------------|--------|
| OFF | M+G+A1 | |
| RUN/OVERRIDE | B+A1 | |
| RUN | B+A1 | L+A2 |
| START | B + S + A1 | |

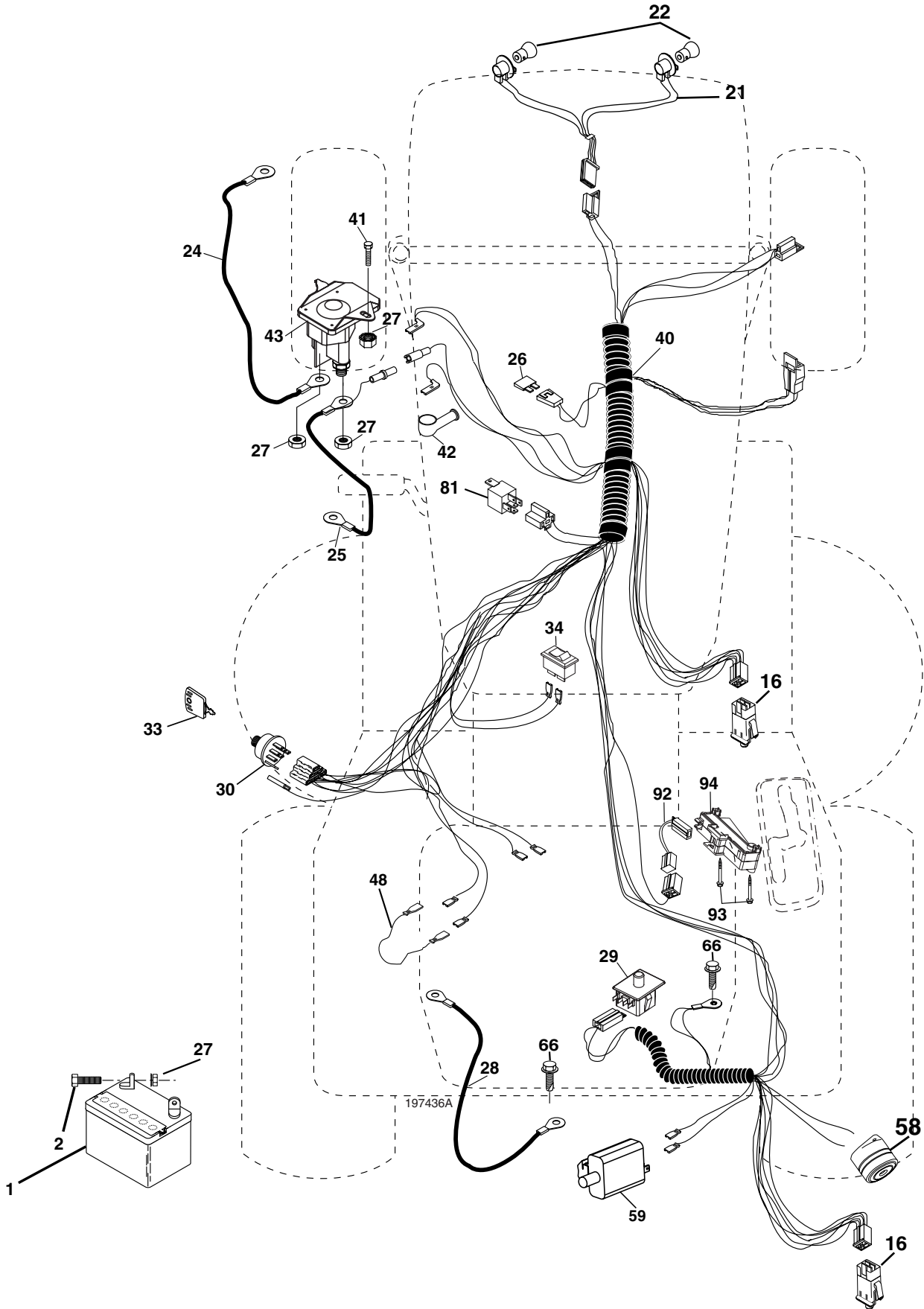
WIRING INSULATED CLIPS
NOTE: IF WIRING INSULATED CLIPS WERE REMOVED FOR SERVICING OF UNIT, THEY SHOULD BE REPLACED TO PROPERLY SECURE YOUR WIRING.



03055

REPAIR PARTS

TRACTOR - - MODEL NO. M135B92RB (96061012401), PRODUCT NO.960 61 01-24
ELECTRICAL



REPAIR PARTS

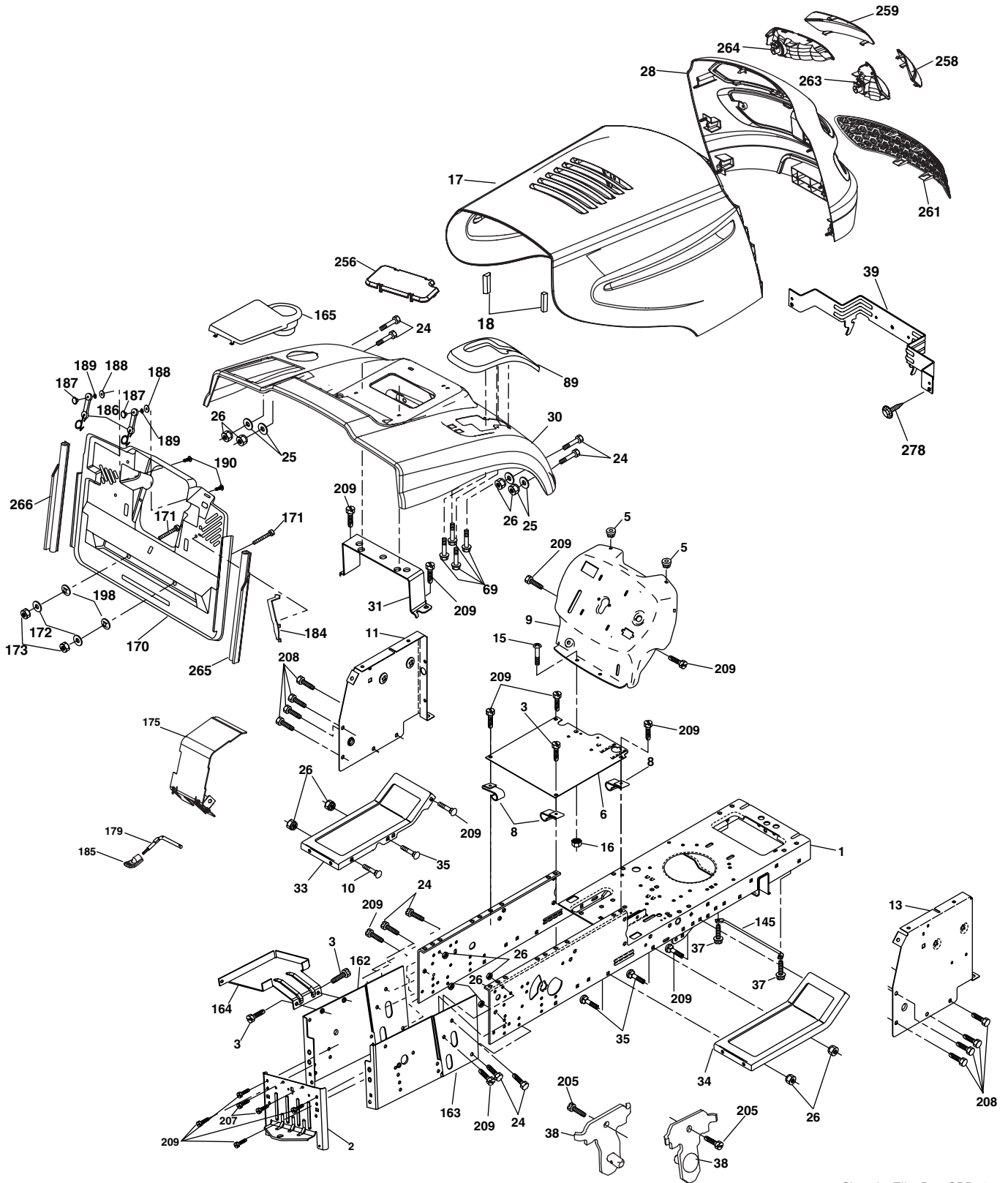
TRACTOR - - MODEL NO. M135B92RB (96061012401), PRODUCT NO.960 61 01-24
ELECTRICAL

| KEY NO. | PART NO. | DESCRIPTION |
|---------|--------------|-----------------------------------|
| 1 | 532 16 34-65 | Battery |
| 2 | 874 76 04-12 | Bolt Hex Hd 1/4-20 unc x 3/4 |
| 16 | 532 17 61-38 | Switch Interlock Push-In |
| 21 | 532 18 37-59 | Harness Asm. Light |
| 22 | 532 00 41-52 | Bulb Light #1156 |
| 24 | 532 12 47-80 | Cable Starter 6 Ga. 11" Red |
| 25 | 532 16 59-87 | Cable Battery Crd 56" Red |
| 26 | 532 17 51-58 | Fuse 20 Amp |
| 27 | 873 51 04-00 | Nut Keps Hex 1/4-20 unc |
| 28 | 532 12 77-25 | Cable Ground 6 Ga. 18" Black |
| 29 | 532 19 27-49 | Switch Seat |
| 30 | 532 19 33-50 | Switch Ignition |
| 33 | 532 14 04-01 | Key Ign |
| 34 | 532 11 07-12 | Switch Light/Reset |
| 40 | 532 19 74-36 | Harness Ign |
| 41 | 871 11 04-08 | Bolt Flk Fin Hex 1/4-20 unc x 1/2 |
| 42 | 532 13 15-63 | Cover Terminal Red |
| 43 | 532 19 25-07 | Solenoid |
| 48 | 532 14 08-44 | Adapter Ammeter Rectangular |
| 58 | 532 16 94-19 | Buzzer Crd |
| 59 | 532 18 03-79 | Switch FBI CRD |
| 66 | 817 49 06-08 | Screw Thdrol 3/8-16 x 1/2 Ty-Tt |
| 81 | 532 10 97-48 | Relay Asm |
| 92 | 532 19 66-15 | Harness Pigtail |
| 93 | 532 19 25-40 | Screw Plastite 10-14 x 2.0 |
| 94 | 532 19 18-34 | Module Reverse ROS |

NOTE: All component dimensions given in U.S. inches.
1 inch = 25.4 mm.

REPAIR PARTS

TRACTOR -- MODEL NO. M135B92RB (96061012401), PRODUCT NO.960 61 01-24
CHASSIS AND ENCLOSURES



Chassis_Elite Pro_CRD_1

REPAIR PARTS

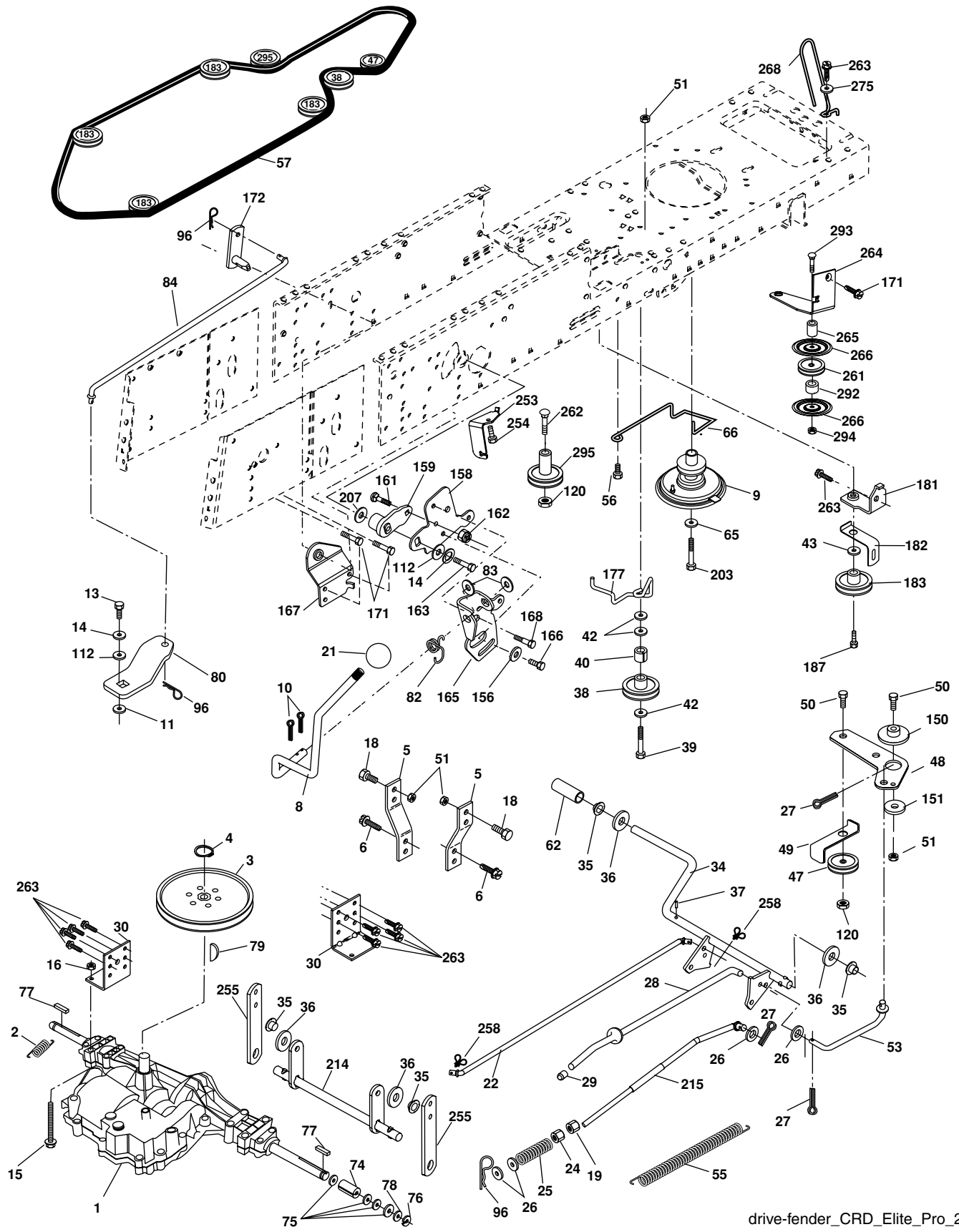
TRACTOR - - MODEL NO. M135B92RB (96061012401), PRODUCT NO.960 61 01-24 CHASSIS AND ENCLOSURES

| KEY NO. | PART NO. | DESCRIPTION | KEY NO. | PART NO. | DESCRIPTION |
|---------|--------------|---|---------|--------------|-------------------------------------|
| 1 | 532 17 46-20 | Chassis | 164 | 532 16 56-05 | Support Battery CRD |
| 2 | 532 18 03-84 | Drawbar | 165 | 532 18 13-56 | Cover Battery CRD Lt |
| 3 | 817 06 06-12 | Screw 3/8-16 x .75 | 170 | 532 19 94-88 | Backplate CRD |
| 5 | 532 15 52-72 | Bumper Hood/Dash | 171 | 872 14 06-20 | Bolt Rdhd Sqnk 3/8-16 x 2-1/2 Gr. 5 |
| 6 | 532 18 44-19 | Saddle | 172 | 819 13 20-16 | Washer 13/32 x 1-1/4 x 16 Ga. |
| 8 | 532 12 64-71 | Clip Insulator 13/32 Mtg. Hole | 173 | 873 51 06-00 | Nut, Keps Hex 3/8-16 unc |
| 9 | 532 19 46-88 | Dash | 175 | 532 18 82-03 | Trap Door CRD |
| 10 | 872 14 06-08 | Bolt, Carriage 3/8-16 x 3/4 | 179 | 532 18 82-02 | Rod Pivot FBI CRD |
| 11 | 532 17 49-96 | Panel, Dash, L.H. | 184 | 532 17 46-62 | Bracket Actuator Bagger CRD |
| 13 | 532 18 69-52 | Panel, Asm. Dash R.H. | 185 | 532 18 11-01 | Knob Rod |
| 15 | 874 18 05-12 | Screw, Machine, Truss Head 5/16-18 unc x 3/4 | 186 | 532 16 07-93 | Latch Asm Multch Bagger |
| 16 | 873 51 05-00 | Nut | 187 | 532 12 50-04 | Nut Weld .327/.304 #10-24 |
| 17 | 532 18 65-80 | Hood Assembly | 188 | 819 06 12-16 | Washer #10 |
| 18 | 532 18 49-21 | Bumper Hood | 189 | 810 07 10-00 | Washer Lock #10 |
| 24 | 874 78 06-16 | Bolt | 190 | 871 08 10-10 | Screw Pan Hd Phillips 10-24 x 5/8 |
| 25 | 819 13 13-12 | Washer 13/32 x 13/16 x 12 Ga. | 198 | 532 16 89-37 | Nut Push |
| 26 | 873 80 06-00 | Nut | 205 | 817 49 06-08 | Screw 3/8-16 x 1/2 |
| 28 | 532 18 82-24 | Grille Lens Asm | 207 | 817 67 05-08 | Screw THDROL 5/16-18 x 1/2 |
| 30 | 532 19 73-64 | Fender | 208 | 817 67 06-08 | Screw Thdrol 3/8-16 x 1/2 |
| 31 | 532 16 51-56 | Bracket, Fender Support | 209 | 817 00 06-12 | Screw Hex Wsh Thdrol 3/8-16 x 3/4 |
| 33 | 532 18 25-07 | Footrest, L.H. | 256 | 532 18 13-61 | Cover Fender Rack CRD |
| 34 | 532 18 25-08 | Footrest, R.H. | 258 | 532 18 97-55 | Lens Grille RH |
| 35 | 872 11 06-06 | Bolt | 259 | 532 18 97-54 | Lens Grille LH |
| 37 | 817 49 05-08 | Screw Thdrol 5/16-18 x 1/2 TYT | 261 | 532 18 97-53 | Insert Grille |
| 38 | 532 18 17-48 | Bracket Asm Pivot Mower Rear | 263 | 532 18 38-33 | Bezel Grille RH |
| 39 | 532 17 47-14 | Bracket Pivot Laser | 264 | 532 18 38-32 | Bezel Grille LH |
| 69 | 532 14 24-32 | Screw Hex 1/4-1/2 | 265 | 532 18 57-04 | Seal Side RH Bagger |
| 89 | 532 19 73-39 | Console | 266 | 532 18 57-03 | Seal Side LH Bagger |
| 145 | 532 15 65-24 | Rod Pivot Chassis/Hood | 278 | 532 19 16-11 | Screw 10 x 3/4 Single Lead Hex |
| 162 | 532 18 03-82 | Bracket Exten Chassis Lh CRD | -- | 532 00 54-79 | Plug, Button |
| 163 | 532 18 03-83 | Bracket Exten Chassis Rh CRD | | | |

NOTE: All component dimensions given in U.S. inches.
1 inch = 25.4 mm.

REPAIR PARTS

TRACTOR -- MODEL NO. M135B92RB (96061012401), PRODUCT NO.960 61 01-24
DRIVE



drive-fender_CRD_Elite_Pro_2

REPAIR PARTS

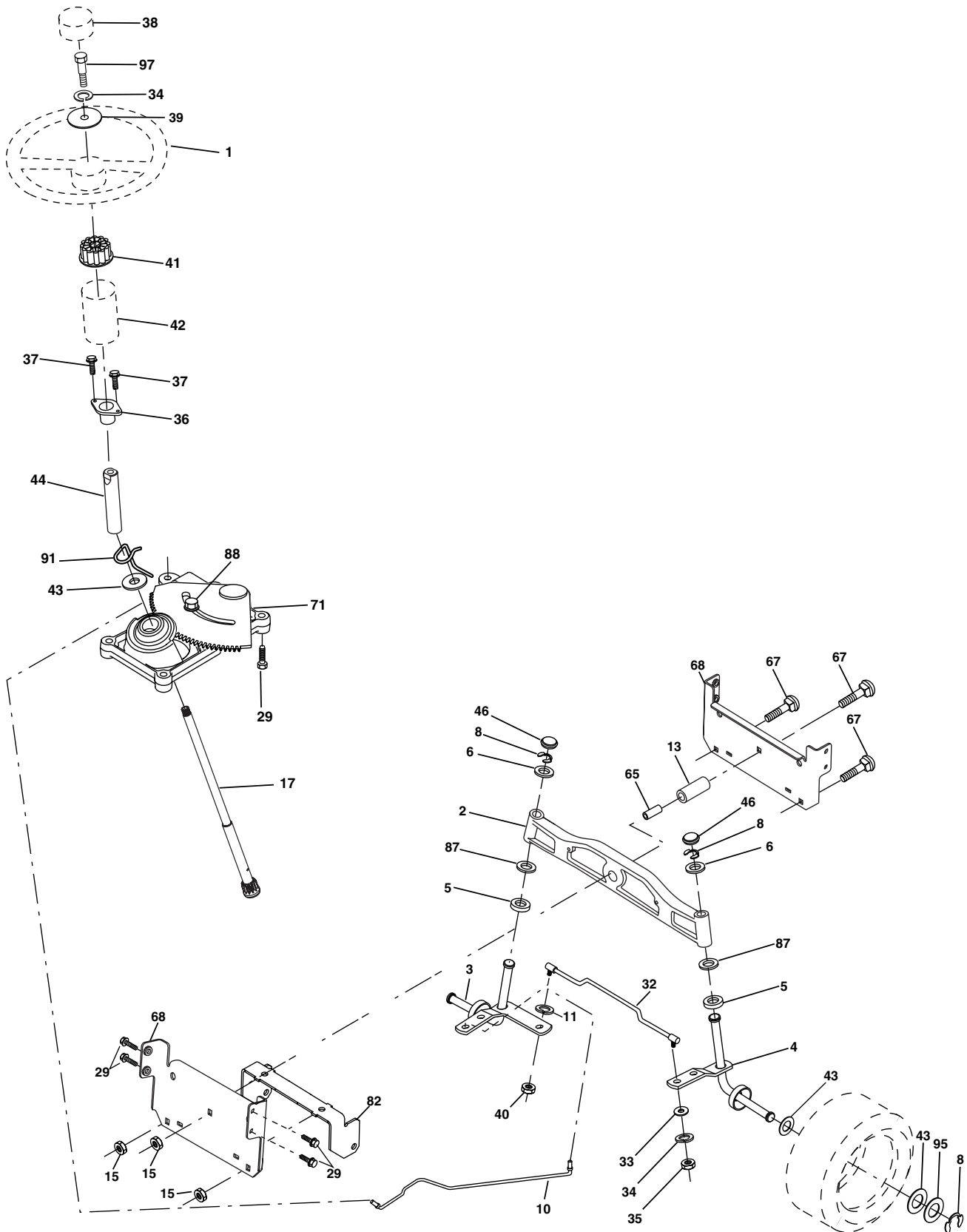
TRACTOR - - MODEL NO. M135B92RB (96061012401), PRODUCT NO.960 61 01-24 DRIVE

| KEY NO. | PART NO. | DESCRIPTION | KEY NO. | PART NO. | DESCRIPTION |
|---------|---------------------|---|---------|--------------|-----------------------------------|
| 1 | ----- | Transaxle Peerless 206-546 Order parts from transaxle manufacturer | 78 | 532 12 17-48 | Washer 25/32 x 1-5/8 x 16 Ga. |
| 2 | 532 14 66-82 | Spring Brake Return | 79 | 532 12 50-96 | Key Woodruff |
| 3 | 532 16 59-99 | Pulley Transaxle | 80 | 532 14 50-90 | Arm Shift PMST 20" Tires |
| 4 | 812 00 00-28 | Ring Retainer #5100-62 | 82 | 532 16 57-11 | Spring, Torsion |
| 5 | 532 12 15-20 | Strap torque 30 degrees | 83 | 819 17 12-16 | Washer 17/32 x 3/4 x 16 Ga. |
| 6 | 817 06 05-12 | Screw 5/16-18 x 3/4 | 84 | 532 16 56-21 | Link Shift CRD Pmst 18" Tires |
| 8 | 532 19 27-06 | Rod Shift Fender | 96 | 532 12 47-88 | Spring, Retainer 1" |
| 9 | 532 19 81-44 | Clutch Noram | 112 | 819 09 12-10 | Washer 9/32 x 3/4 x 10 Ga. |
| 10 | 876 02 04-16 | Pin, Cotter 1/8 x 1 | 120 | 873 90 06-00 | Nut Lock 3/8-16 |
| 11 | 532 10 57-01 | Washer Plate Shf .3888 sq hole | 150 | 532 16 58-50 | Bushing, Bellcrank Grnd Dr |
| 13 | 874 55 04-12 | Bolt 1/4-28 Unf Gr. 8 w/patch | 151 | 819 13 32-10 | Washer 13/32 x 2 x 10 Ga. |
| 14 | 810 04 04-00 | Washer, Lock Hvy Helical | 156 | 532 16 60-02 | Washer Srrd 5/16 ID x 1.125 |
| 15 | 874 49 05-44 | Bolt Hex FGHD 5/16-18 x Gr 5 | 158 | 532 16 55-89 | Bracket Shift Mount |
| 16 | 873 80 05-00 | Nut, Lock Hex w/lns 5/16-18 unc | 159 | 532 18 39-00 | Hub Tapered Flange Shift Lt |
| 18 | 874 78 06-16 | Bolt Hex 3/8-16 unc x 1 Gr.5 | 161 | 872 14 04-06 | Bolt Rdhd Sqnk 1/4-20 x 3/4 Gr. 5 |
| 19 | 873 80 06-00 | Nut, Lock Hex w/Wsh 3/8-16 unc | 162 | 873 68 04-00 | Nut Crownlock 1/4-20 unc |
| 21 | 532 10 69-33 | Knob Round 1/2-13 unc Blk | 163 | 874 78 04-16 | Bolt Hex Fin 1/4-20 unc x 1 Gr. 5 |
| 22 | 532 17 56-07 | Rod, Brake CRD Main | 165 | 532 16 56-23 | Bracket Pivot Lever |
| 24 | 873 35 06-00 | Nut | 166 | 817 49 05-10 | Screw 5/16-18 x 5/8 |
| 25 | 532 10 68-88 | Spring, Rod, Brake | 167 | 532 16 55-88 | Bracket Support Shift CRD |
| 26 | 819 13 13-16 | Washer 13/32 x 13/16 x 16 Ga. | 168 | 532 16 54-92 | Bolt Shoulder 5/16-18 x .561 |
| 27 | 876 02 04-12 | Pin, Cotter 1/8 x 3/4 | 171 | 817 49 06-08 | Screw Thdrol 3/8-16 x 1/2 Ty-Tt |
| 28 | 532 17 57-65 | Rod, Parking Brake | 172 | 532 16 56-35 | Shaft Asm Shift Front CRD PMST |
| 29 | 532 07 16-73 | Cap, Parking Brake | 177 | 532 16 59-32 | Keeper Flat Idler 3.06" CRD |
| 30 | 532 17 49-73 | Bracket, Mfg. Transaxle | 181 | 532 18 02-11 | Bracket Idler Ground Drive CRD |
| 34 | 532 17 55-78 | Shaft, Asm Pedal Foot CRD | 182 | 532 18 26-82 | Keeper Belt 2.5" Od V-Idler CRD |
| 35 | 532 12 01-83 | Bearing, Nylon | 183 | 532 19 95-32 | Pulley V-Idler CRD |
| 36 | 819 21 16-16 | Washer 21/32 x 1 x 16 Ga. | 187 | 817 58 05-20 | Screw 5/16-18 x 1.25 |
| 37 | 532 12 49-63 | Pin, Roll 3/16 x 1" | 203 | 871 17 07-80 | Bolt Hex 7/16-20 x 5 |
| 38 | 532 16 59-36 | Pulley, Flat | 207 | 532 16 98-45 | Washer Nylon |
| 39 | 874 76 06-44 | Bolt Fin Hex 3/8-16 unc x 2-3/4 | 214 | 532 17 56-09 | Shaft Asm. Brake |
| 40 | 532 12 49-65 | Spacer, Split 395 x 59 Bzp | 215 | 532 19 95-80 | Rod Brake Secondary |
| 42 | 819 13 13-12 | Washer 13/32 x 13/16 x 12 Ga. | 253 | 532 17 50-28 | Bracket Cable Chassis |
| 43 | 819 11 10-12 | Washer 11/32 x 5/8 x 12 Ga. | 254 | 817 00 06-16 | Screw 3/8-16 x 1.0 |
| 47 | 532 12 77-83 | Pulley, Idler, V Groove Plasitc | 255 | 532 17 56-08 | Brace Shaft Brake |
| 48 | 532 15 44-07 | Bellcrank Clutch Grnd Drv | 258 | 532 17 80-62 | Clip Retainer |
| 49 | 532 12 32-05 | Retainer, Belt Style Spring | 261 | 532 13 14-94 | Pulley Idler Flat |
| 50 | 872 11 06-12 | Bolt Carr SH 3/8-16 x 1-1/2 Gr. 5 | 262 | 872 11 06-22 | Bolt RDHD 3/8-16 UNC x 2-2/4 Gr.5 |
| 51 | 873 68 06-00 | Nut, Crownlock 3/8-16 unc | 263 | 817 00 06-12 | Screw Hxwsh Thdr 3/8-16 x 3/4 |
| 53 | 532 19 96-52 | Link, Clutch 7.66 | 264 | 532 19 76-08 | Bracket Clutch Mtg. |
| 55 | 532 10 57-09 | Spring, Return, Clutch | 265 | 532 18 20-13 | Spacer Idler Chassis |
| 56 | 817 06 06-20 | Screw 3/8-16 x 1-1/4 | 266 | 532 18 20-61 | Shield Idler |
| 57 | 532 16 56-31 | V-Belt Kev PMST CRD | 268 | 532 18 24-02 | Guard Muffler OHV B&S RH |
| 62 | 532 12 48-72 | Cover, Pedal | 275 | 819 13 16-14 | Washer 13/32 x 1 x 14 Ga. |
| 65 | 810 04 07-00 | Washer | 292 | 532 40 02-71 | Spacer Noram |
| 66 | 532 15 47-78 | Keeper, Belt Engine F-Proof | 293 | 872 14 06-28 | Bolt RDHD SQNK 3/8-16 x 3-1/2 |
| 74 | 532 13 70-57 | Spacer Axle | 294 | 532 19 70-33 | Nut Jam 3/8-16 |
| 75 | 532 12 17-49 | Washer 25/32 x 1-1/4 x 16 Ga. | 295 | 532 17 91-14 | Pulley Idler composite Ext. Hub |
| 76 | 812 00 00-01 | Ring, E | | | |
| 77 | 532 12 35-83 | Key, Square | | | |

NOTE: All component dimensions given in U.S. inches
1 inch = 25.4 mm

REPAIR PARTS

TRACTOR -- MODEL NO. M135B92RB (96061012401), PRODUCT NO.960 61 01-24
STEERING ASSEMBLY



steering_pl.lt_60

REPAIR PARTS

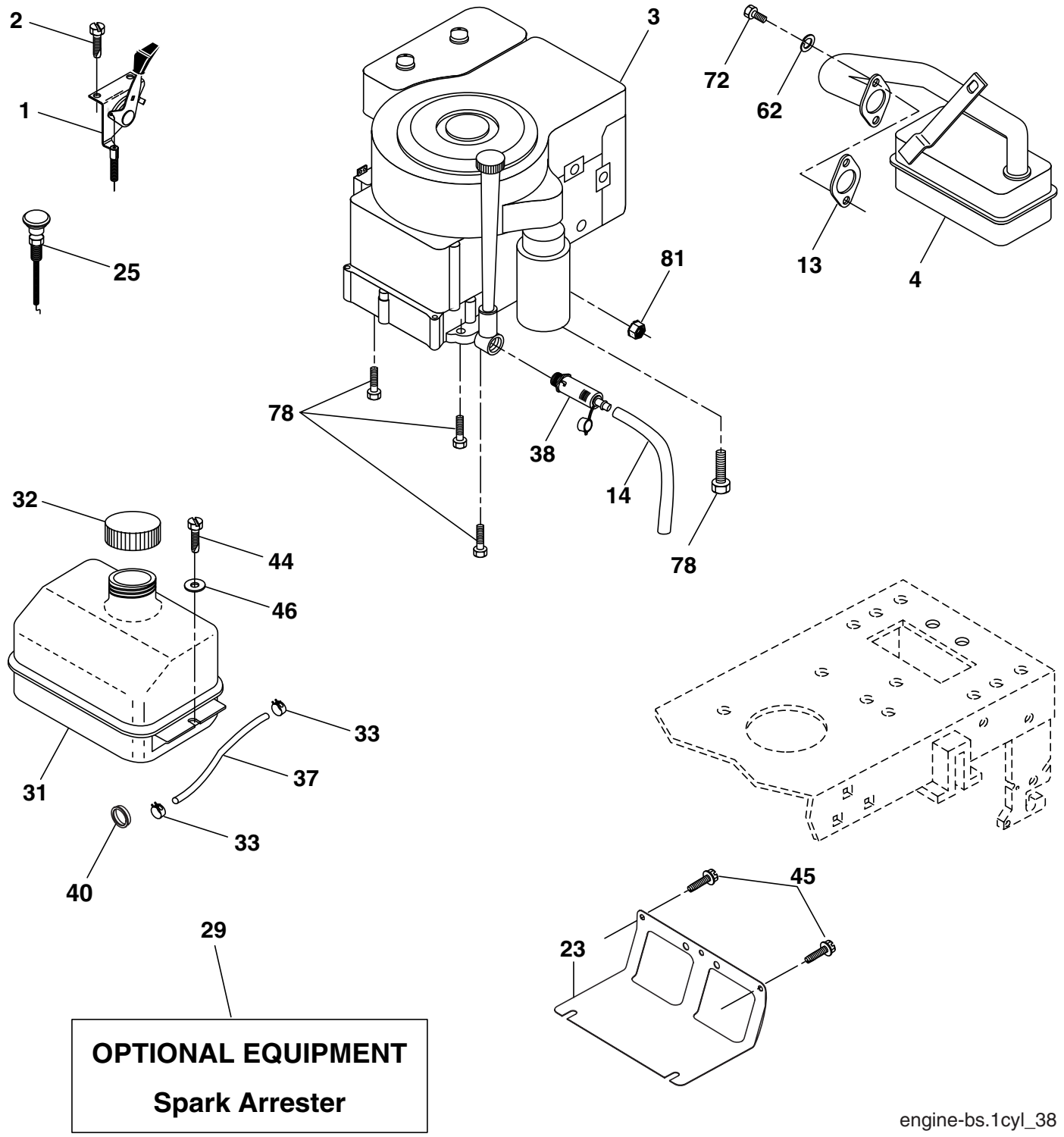
TRACTOR - - MODEL NO. M135B92RB (96061012401), PRODUCT NO.960 61 01-24
STEERING ASSEMBLY

| KEY NO. | PART NO. | DESCRIPTION |
|---------|--------------|-----------------------------------|
| 1 | 532 19 45-95 | Steering Wheel |
| 2 | 532 18 47-06 | Cast Iron Axle Assembly |
| 3 | 532 16 98-40 | Spindle Assembly, L.H. |
| 4 | 532 16 98-39 | Spindle Assembly, R.H. |
| 5 | 532 12 49-31 | Bearing, Race, Thrust, Hardened |
| 6 | 532 12 17-48 | Washer 25/32 x 1-5/8 x 16 Ga. |
| 8 | 812 00 00-29 | Ring, Klip |
| 10 | 532 17 51-21 | Link, Drag |
| 11 | 810 04 06-00 | Washer, Lock |
| 13 | 532 13 65-18 | Spacer Brg Axle Front |
| 15 | 532 14 52-12 | Nut, Hexflange Lock |
| 17 | 532 19 07-53 | Shaft Assembly, Steering |
| 29 | 817 00 06-12 | Screw, 3/8-16 x 3/4 |
| 32 | 532 17 01-62 | Rod, Tie |
| 33 | 819 11 12-16 | Washer 11/32 x 3/4 x 16 Ga. |
| 34 | 810 04 05-00 | Washer Lock Hvy Hlcl Spr 5/16 |
| 35 | 873 54 05-00 | Nut Crownlock 5/16-24 unf |
| 36 | 532 15 50-99 | Bushing, Steering |
| 37 | 532 15 29-27 | Screw TT #10-32 x 5 x 3/8 Flange |
| 38 | 532 19 46-03 | Cap Wheel Steer |
| 39 | 819 11-38-12 | Washer 11/32 ID x 2-3/8 OD 12 Ga. |
| 40 | 873 54 06-00 | Nut Crownlock 3/8-24 |
| 41 | 532 18 67-37 | Adaptor, Steering Wheel |
| 42 | 532 16 96-33 | Boot, Steering Dash P/L Mtl |
| 43 | 532 12 17-49 | Washer 25/32 x 1-1/4 x 16 Ga. |
| 44 | 532 19 07-52 | Extension Steering |
| 46 | 532 12 12-32 | Cap, Spindle |
| 65 | 532 16 03-67 | Spacer Brace Axle |
| 67 | 872 11 06-18 | Bolt Rdhd Sq 3/8-16 unc x 2-1/4 |
| 71 | 532 17 51-46 | Steering Asm. |
| 68 | 532 16 98-27 | Brace Axle |
| 82 | 532 19 99-78 | Bracket Susp Chassis Front |
| 87 | 532 17 39-66 | Washer Flat .781 x 1-1/2 x .14 |
| 88 | 532 17 51-18 | Bolt Shoulder 7/16-20 unc |
| 91 | 532 17 55-53 | Clip Steering |
| 95 | 532 18 89-67 | Washer Harden .793 x 1.637 x 060 |
| 97 | 874 78 05-64 | Bolt 5/16-18 UNC x 4" L Gr.5 |

NOTE: All component dimensions given in U.S. inches.
1 inch = 25.4 mm.

REPAIR PARTS

TRACTOR - - MODEL NO. M135B92RB (96061012401), PRODUCT NO.960 61 01-24
ENGINE



engine-bs.1cyl_38

REPAIR PARTS

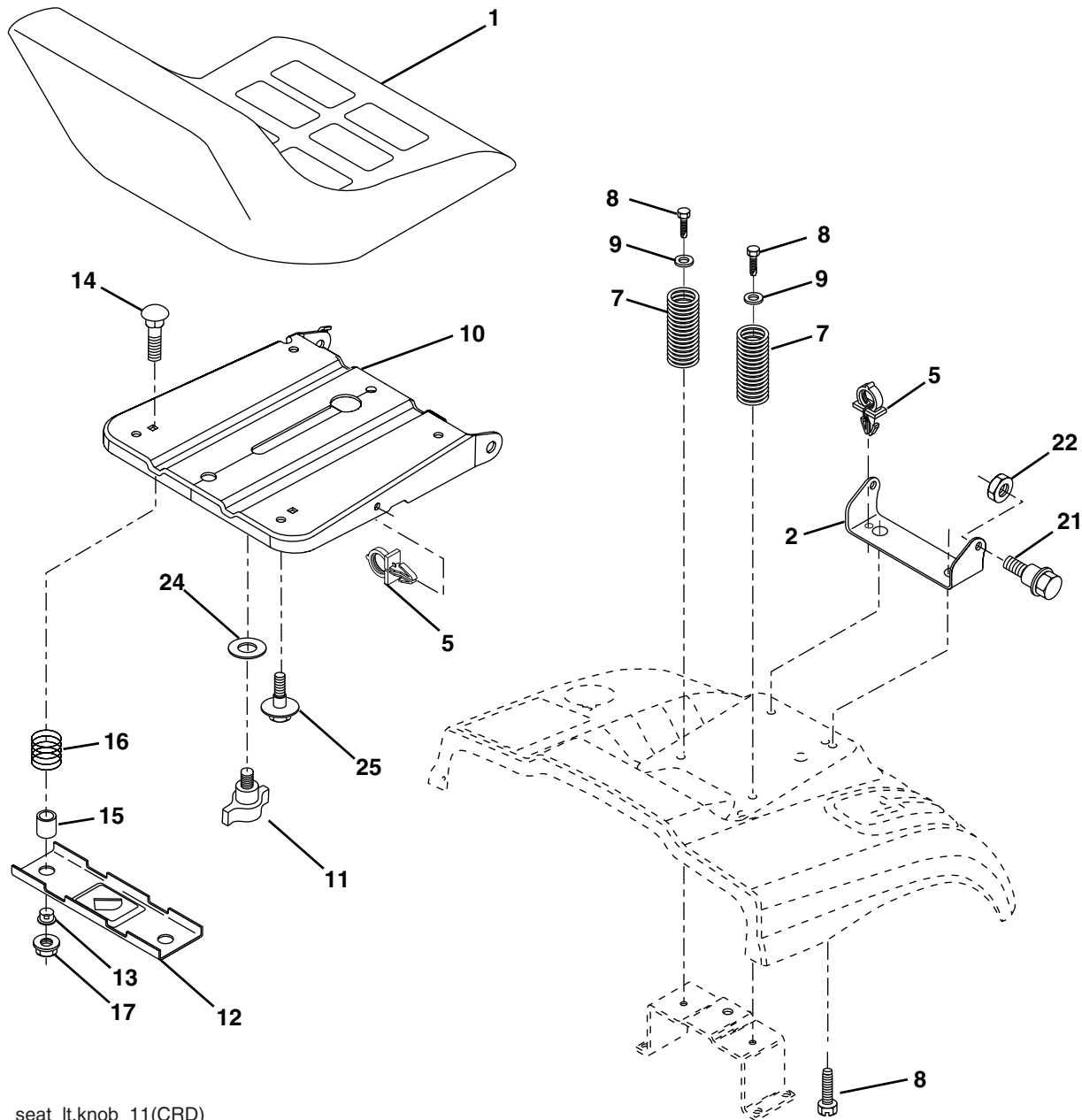
TRACTOR - - MODEL NO. M135B92RB (96061012401), PRODUCT NO.960 61 01-24
ENGINE

| KEY NO. | PART NO. | DESCRIPTION |
|---------|--------------|---|
| 1 | 532 17 05-51 | Control Throt /Ch |
| 2 | 817 72 04-08 | Screw Hex Thd Cut 1/4-20 x 5/8 T |
| 3 | ----- | Engine B&S Model 21B807 (Order Parts from Engine Manufacturer) |
| 4 | 532 17 97-58 | Muffler Exhaust B&S Lt |
| 13 | 532 16 52-91 | Gasket 1 313 Id Tin Plated |
| 14 | 532 14 84-56 | Tube Drain Oil Easy |
| 23 | 532 16 98-37 | Shield Browning/Debris Guard |
| 25 | 532 19 06-95 | Control Choke 1 Cyl. |
| 29 | 532 13 71-80 | Arrestor Spark |
| 31 | 532 18 77-50 | Tank Fuel |
| 32 | 532 19 77-25 | Cap Asm Fule Top |
| 33 | 532 12 34-87 | Clamp Hose Blk |
| 37 | 532 13 70-40 | Line Fuel 20" |
| 38 | 532 18 16-54 | Plug Drain Oil Easy |
| 40 | 532 12 40-28 | Bushing Snap |
| 44 | 817 67 04-12 | Screw Hexwsh Thdrol 3/8-16 x 3/4 |
| 45 | 817 00 06-12 | Screw 3/8-16 x 3/4 |
| 46 | 819 09 14-16 | Washer 9/32 x 7/8 x 16 Ga. |
| 62 | 810 04 05-00 | Washer Lock 5/16 |
| 72 | 532 19 23-34 | Screw Socket Head 5/16-18 x 3/4 |
| 78 | 817 06 06-20 | Screw 3/8-16 x 1-1/4 |
| 81 | 873 51 04-00 | Nut Keps Hex 1/4-20 unc |

NOTE: All component dimensions given in U.S. inches
1 inch = 25.4 mm

REPAIR PARTS

TRACTOR - - MODEL NO. M135B92RB (96061012401), PRODUCT NO.960 61 01-24
SEAT ASSEMBLY



seat_lt.knob_11(CRD)

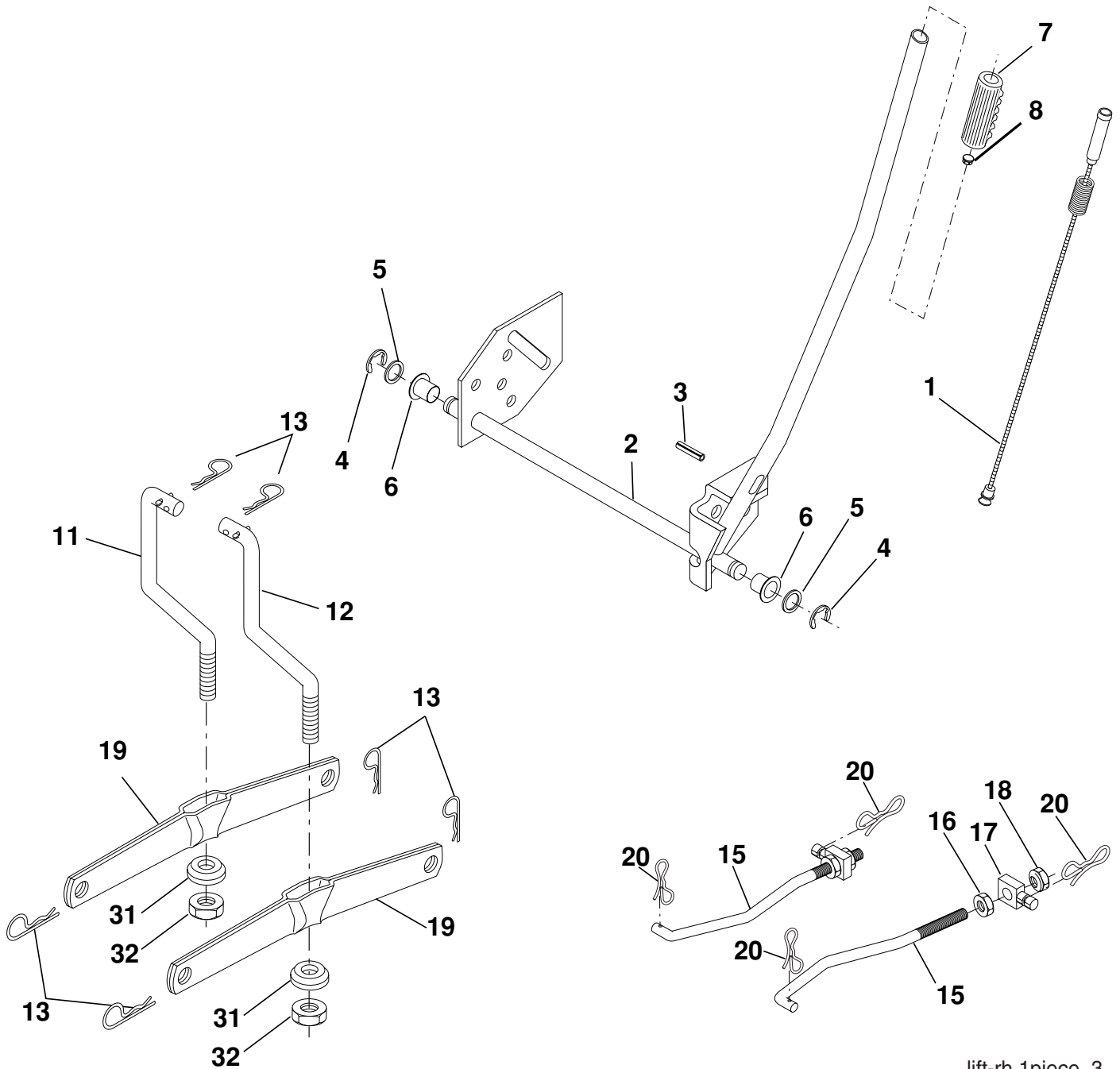
| KEY NO. | PART NO. | DESCRIPTION |
|---------|--------------|--------------------------------|
| 1 | 532 18 87-13 | Seat |
| 2 | 532 14 05-51 | Bracket Pnt Pivot Seat (blk) |
| 3 | 871 11 06-16 | Bolt Fin Hex 3/8-16 unc x 1 |
| 4 | 819 13 16-10 | Washer Flat 13/32 x 1 x 10 Ga. |
| 5 | 532 14 50-06 | Clip Push In Hinged |
| 6 | 873 80 06-00 | Nut Lock Hex 3/8-16 unc |
| 7 | 532 12 41-81 | Spring Seat Cprsn 2 250 Blk Zi |
| 8 | 817 00 06-16 | Screw 3/8-16 x 1-1/2 |
| 9 | 819 13 16-14 | Washer 13/32 x 1 x 14 Ga. |
| 10 | 532 19 55-30 | Pan Pnt Seat (blk) |
| 11 | 532 16 63-69 | Knob Seat |

| KEY NO. | PART NO. | DESCRIPTION |
|---------|--------------|---------------------------------|
| 12 | 532 17 46-48 | Bracket Pnt Mounting Switch |
| 13 | 532 12 12-48 | Bushing Snap Blk Nyl 50 Id |
| 14 | 872 05 04-12 | Bolt Rdhd Sht Nk 1/4-20 x 1-1/2 |
| 15 | 532 13 43-00 | Spacer Split |
| 16 | 532 12 12-50 | Spring Cprsn |
| 17 | 532 12 39-76 | Nut Lock 1/4 Lge Flg Gr. 5 Zinc |
| 21 | 532 17 18-52 | Bolt Shoulder 5/16-18 unc-2A |
| 22 | 873 80 05-00 | Nut Hex Lock w/Ins 5/16-18 |
| 24 | 819 17 19-12 | Washer 17/32 x 1-3/16 x 12 Ga. |
| 25 | 532 12 70-18 | Bolt Shoulder 5/16-18 x .62 |

NOTE: All component dimensions given in U.S. inches.
1 inch = 25.4 mm

REPAIR PARTS

TRACTOR - - MODEL NO. M135B92RB (96061012401), PRODUCT NO.960 61 01-24
MOWER LIFT



lift-rh.1piece_3

| KEY NO. | PART NO. | DESCRIPTION |
|---------|--------------|------------------------------------|
| 1 | 532 19 84-17 | Washer Asm Inner Spring W/ Plunger |
| 2 | 532 19 80-70 | Shaft Asm. Lift |
| 3 | 532 18 88-22 | Pin Groove |
| 4 | 812 00 00-02 | E Ring #5133-62 |
| 5 | 819 21 16-21 | Washer 21/32 x 1 x 21 Ga. |
| 6 | 532 12 01-83 | Bearing Nylon |
| 7 | 532 10 94-13 | Grip Handle Bicycle |
| 8 | 532 12 45-26 | Button Plunger Black |
| 11 | 532 16 58-29 | Link Asm Lift L.H. |
| 12 | 532 16 58-31 | Link Asm Lift R.H. |
| 13 | 532 12 46-70 | Retainer Spring |

| KEY NO. | PART NO. | DESCRIPTION |
|---------|--------------|-----------------------------|
| 15 | 532 17 32-88 | Link Front |
| 16 | 873 35 08-00 | Nut Jam Hex 1/2-13 unc |
| 17 | 532 17 56-89 | Trunnion Blk Zinc |
| 18 | 873 80 08-00 | Nut Lock w/Wsh 1/2-13 unc |
| 19 | 532 13 98-68 | Arm Suspension Mower |
| 20 | 532 19 42-09 | Pin Cotter 7/16 Bowtie Lock |
| 31 | 532 16 98-65 | Bearing, Pvt. Lift. |
| 32 | 873 54 06-00 | Nut Crownlock 3/8-24 |

NOTE: All component dimensions given in U.S. inches
1 inch = 25.4 mm

REPAIR PARTS

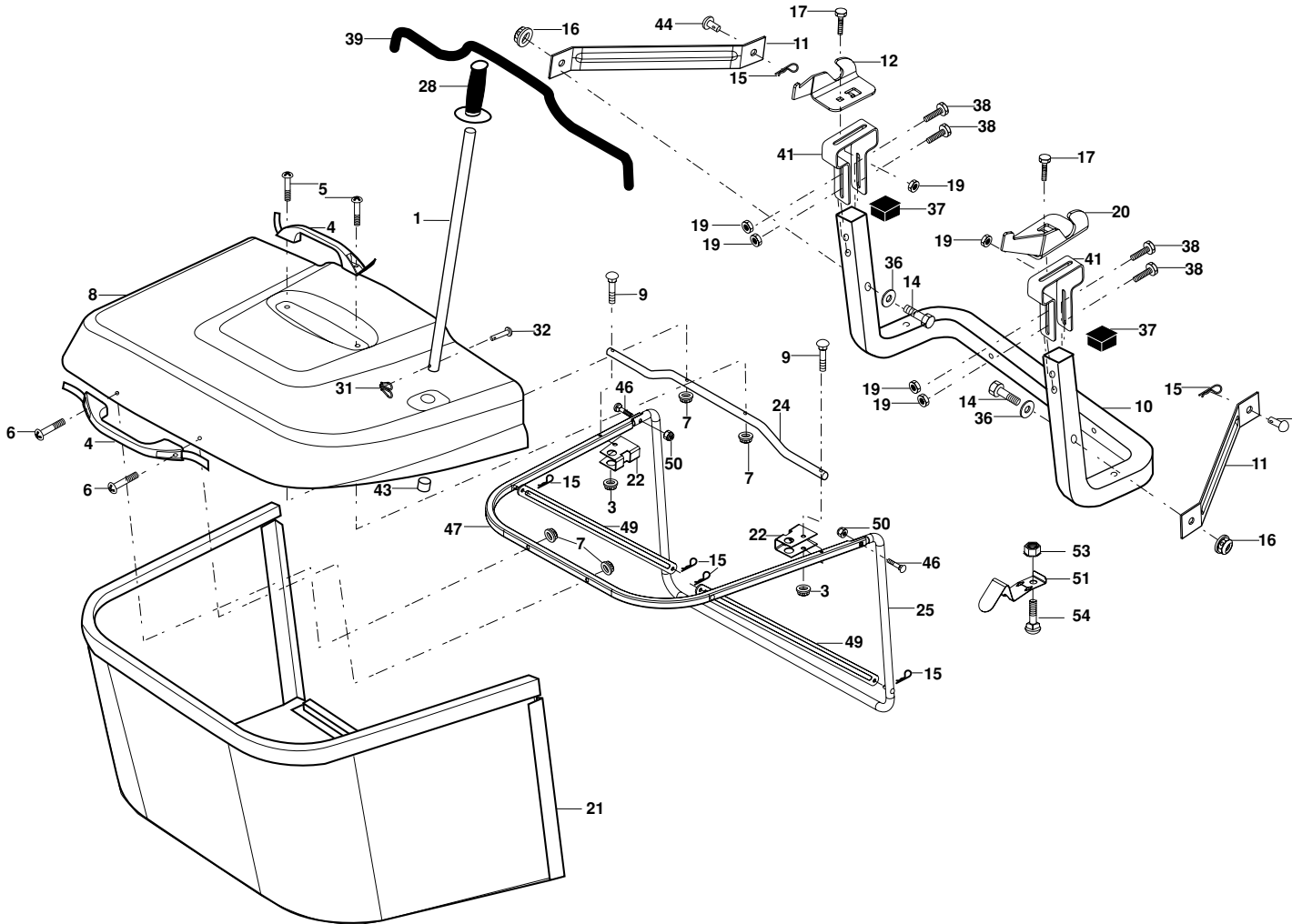
TRACTOR - - MODEL NO. M135B92RB (96061012401), PRODUCT NO.960 61 01-24
MOWER

| KEY NO. | PART NO. | DESCRIPTION | KEY NO. | PART NO. | DESCRIPTION |
|---------|---------------------|-------------------------------------|---------|---------------------|-----------------------------------|
| 1 | 532 40 01-08 | Housing Asm. Mower | 40 | 873 68 06-00 | Nut Crownlock 3/8-16 unc |
| 2 | 872 14 05-06 | Bolt Rdhd Sqnk 5/16-18 unc x 3/4 | 41 | 873 90 06-00 | Nut Lock Flg 3/8-16 UNC |
| 3 | 532 16 55-69 | Bracket Asm. S-Bar Chass | 44 | 532 17 55-38 | Cover Mandrel Lh |
| 4 | 532 16 55-58 | Bracket Bar Sway Deck | 45 | 532 17 55-39 | Cover Mandrel Rh |
| 5 | 532 12 46-70 | Retainer Spring | 46 | 532 13 77-29 | Screw Thd Roll 1/4-20 x 5/8 |
| 6 | 532 16 55-57 | Bar Sway | 55 | 532 19 94-98 | Arm Idler |
| 8 | 532 18 17-12 | Bolt 3/8-24 x 1.25 Gr. 8 Patched | 56 | 532 16 57-23 | Spacer Retainer PM Mower |
| 9 | 810 03 06-00 | Washer Lock Hvy 3/8 Unplated | 61 | 532 19 94-86 | Spring Tension Belt |
| 11 | 532 18 63-85 | Blade 3-1 Lh | 67 | 532 10 69-32 | Knob Rd 3/8-16 Plstc Thds Blk |
| 13 | 532 13 76-45 | Shaft Asm. W/Lower Bearing | 68 | 532 40 20-08 | Hex-Belt 92 Mower |
| 14 | 532 12 87-74 | Housing Mandrel Vented (Machd) | 69 | 532 16 54-82 | Shaft Asm W/Lwr Brg Rh Thd CRD |
| 15 | 532 11 04-85 | Bearing Ball Mandrel | 84 | 532 15 60-85 | Keeper Belt Idler |
| 16 | 532 18 63-86 | Blade 3-1 Rh | 116 | 532 18 42-19 | Bolt Shoulder |
| 17 | 872 14 06-10 | Bolt Carriage 3/8-16 x 1-1/4 | 117 | 532 17 48-73 | Wheel Gage Donut Wide |
| 18 | 872 11 06-06 | Bolt Rdhd Sqnk 3/8-16 x 3/4 | 118 | 873 93 06-00 | Nut Centerlock 3/8-16 unc |
| 19 | 532 13 28-27 | Bolt Shoulder 5/16-18 Thd Form | 119 | 819 12 14-14 | Washer 3/8 x 7/8 x 14 Ga. |
| 20 | 532 18 17-13 | Bolt 3/8-24 x 1.25 Gr. 8 Ptch Lhthd | 124 | 872 11 06-12 | Bolt Carr Sh 3/8-16 x 1-1/2 Gr. 5 |
| 21 | 873 68 05-00 | Nut Crown Lock 5/16-18 | 130 | 872 11 05-06 | Bolt Rdhdsqnk 5/16-18 unc x 3/4 |
| 22 | 532 19 95-90 | Bracket Idler Sprt RR | 131 | 532 16 56-61 | Chute Bagger CRD |
| 23 | 532 16 54-46 | Bracket Idler Sprt RF | 152 | 532 17 60-74 | Cable Clutch CRD Service |
| 24 | 532 16 52-42 | Bracket Suspension LF | 158 | 817 72 04-08 | Screw Hex Thdcut 1/4-20 x 5/8 |
| 25 | 532 16 52-44 | Bracket Suspension RF | 161 | 532 18 63-87 | Blade Cross Lh 92 |
| 26 | 532 40 01-10 | Brace Support Susp Frt CRD | 162 | 532 18 08-78 | Adapter Blade Cross |
| 27 | 532 16 55-68 | Bracket Asm. Susp RR | 163 | 532 18 63-88 | Blade Cross Rh 92 |
| 28 | 532 16 55-67 | Bracket Asm. Susp LR | 185 | 532 18 82-34 | Head Asm. Cable Clutch |
| 30 | 532 17 39-84 | Screw Thd Rolling Washer Head | -- | 532 18 18-57 | Mandrel Asm Service |
| 31 | 532 18 76-90 | Washer Spacer | -- | 532 18 18-58 | Mandrel Asm CRD Lh Threads SVC |
| 32 | 532 17 57-07 | Mandrel Pulleys 36 & 46 | -- | 532 40 03-11 | Replacement Mower Complete |
| 33 | 532 40 02-34 | Nut Flg Top Lock | | | |
| 34 | 532 40 01-07 | Bracket Gauge Wheel Lf | | | |
| 35 | 532 40 01-06 | Bracket Gauge Wheel Rf | | | |
| 36 | 532 14 67-63 | Pulley Idler V-Groove Dim 4.25 | | | |

NOTE: All component dimensions given in U.S. inches
1 inch = 25.4 mm

REPAIR PARTS

TRACTOR - - MODEL NO. M135B92RB (96061012401), PRODUCT NO.960 61 01-24
BAGGER



Bagger Asy (CRD)_12

REPAIR PARTS

TRACTOR - - MODEL NO. M135B92RB (96061012401), PRODUCT NO.960 61 01-24
BAGGER

| KEY NO. | PART NO. | DESCRIPTION |
|---------|--------------|--------------------------------------|
| 1 | 532 16 52-49 | Tube Handle Bagger CRD |
| 3 | 532 12 39-76 | Nut Lock 1/4 Lge Flg Gr. 5 Zinc |
| 4 | 532 16 99-16 | Handle Bagger w/Lvrs Gr. 5 Zinc |
| 5 | 874 98 10-24 | Screw Pan Head #10-24 x 1.50 Blk |
| 6 | 874 98 10-32 | Screw Pan Hd |
| 7 | 873 40 10-00 | Nut Wiz Lock Hex Serr/Hd #10-24 |
| 8 | 532 18 25-14 | Cover Bagger Steel |
| 9 | 872 14 04-18 | Bolt Carriage 1/4-20 x 2.25d x Gr. 5 |
| 10 | 532 18 12-82 | Tube Support Bagger CRD |
| 11 | 532 16 57-19 | Bracket Support Upper Bag CRD |
| 12 | 532 18 88-48 | Bracket Pivot LH |
| 14 | 874 52 06-36 | Bolt Fin Hex 3/8-16 x 2 x 1/4 Gr.5 |
| 15 | 532 12 46-70 | Retainer Spring |
| 16 | 873 90 06-00 | Nut Fock Flg 3/8-16 UNC |
| 17 | 872 14 05-06 | Bolt Rdhd Sht Sqnk 5/16-18 unc x 3/4 |
| 19 | 873 90 05-00 | Nut Lock Hex Flange 5/16-18 |
| 20 | 532 18 88-47 | Bracket Pivot RH |
| 21 | 532 19 38-38 | Bag Asm CRD |
| 22 | 532 16 57-81 | Bracket Side Bagger CRD |
| 24 | 532 16 57-83 | Tube Pivot Bagger CRD |
| 25 | 532 19 37-05 | Tube Front Bagger CRD |
| 28 | 532 16 57-87 | Grip Handle Black |
| 31 | 532 16 94-84 | Retainer Clip |
| 32 | 532 12 68-75 | Rivet Rd Hd Drilled 3/8 Dia |
| 36 | 819 13 20-12 | Washer 13/32 x 1-1/4 x 12 Ga. |
| 37 | 532 17 54-01 | Plug Support Bagger CRD |
| 38 | 872 01 05-20 | Bolt 5/16-18 x 2-1/2 |
| 39 | 532 18 09-85 | Seal Trim 37" |
| 41 | 532 16 96-83 | Bracket Vert Adj Bagger CRD |
| 43 | 532 17 40-83 | Plug Tubing End |
| 44 | 532 19 33-12 | Pin Clevis 3/8 x 11/16 |
| 46 | 872 11 05-10 | Bolt Carr. 5/16-18 x 1-1/4 Gr.5 |
| 47 | 532 19 37-04 | Tube Upper Bagger |
| 49 | 532 19 33-05 | Bar Spreader Bagger |
| 50 | 873 80 05-00 | Nut Lock Hex w/insert 5/16-18 UNC |
| 51 | 532 19 99-03 | Latch Spring Bagger |
| 54 | 872 14 04-06 | Bolt RDHD SQNK 1/4-20 x 3/4 Gr.5 |
| 53 | 873 51 04-00 | Nut Keps Hex 1/4-20 UNC |

NOTE: All component dimensions given in U.S. inches
1 inch = 25.4 mm