

PNC

966863101

ML

00

Model

MAC 55 H 6F

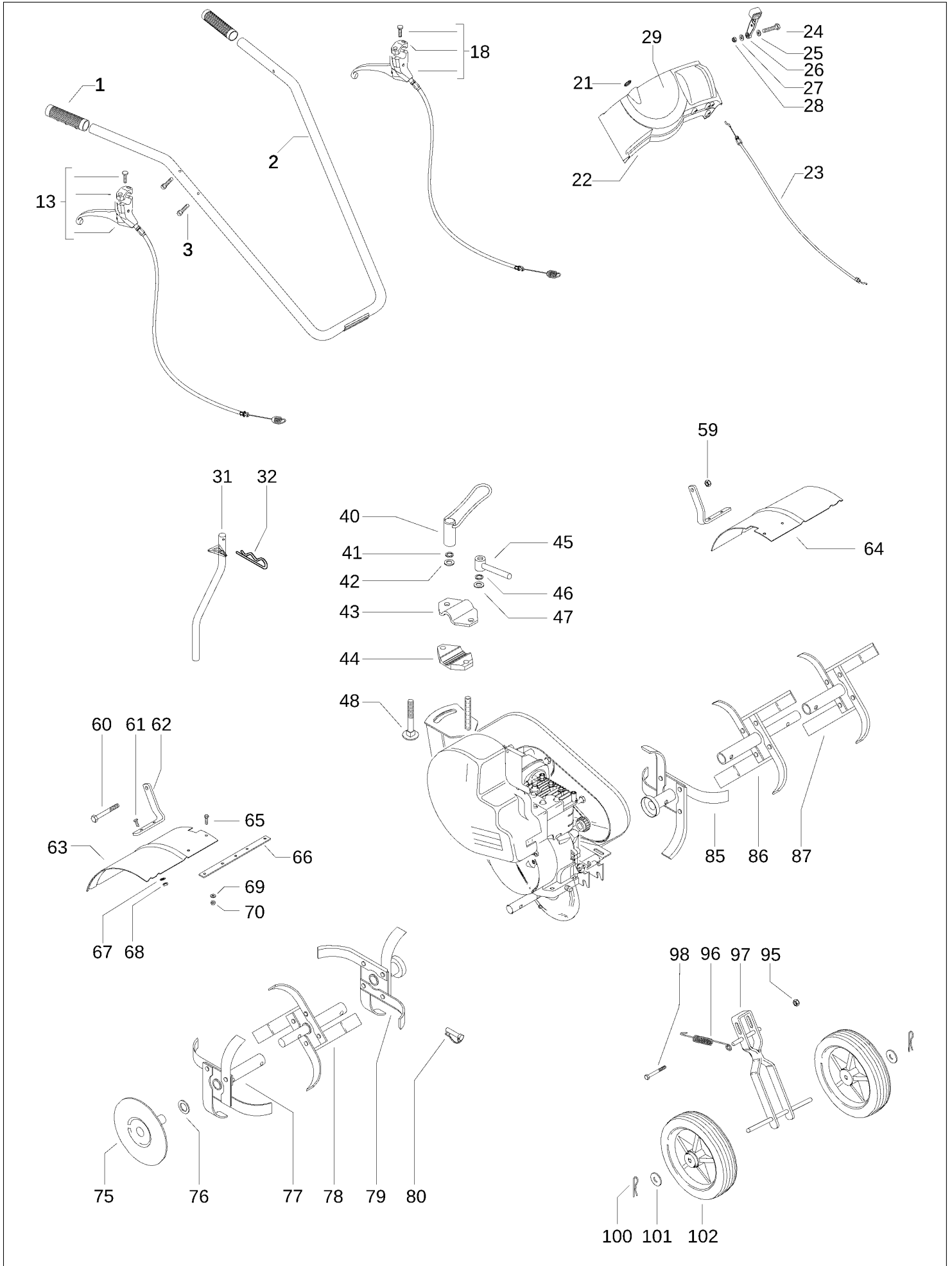
Brand

Mac Allister

Number of Pages 1 of 5

Factory:	IIQ - Valmadrera	Product Group:	OP 93
Publication Number:	EIPL2008_V380000001	Petrol Portable	
Publication Date:	15/09/08	Sub Group	1074

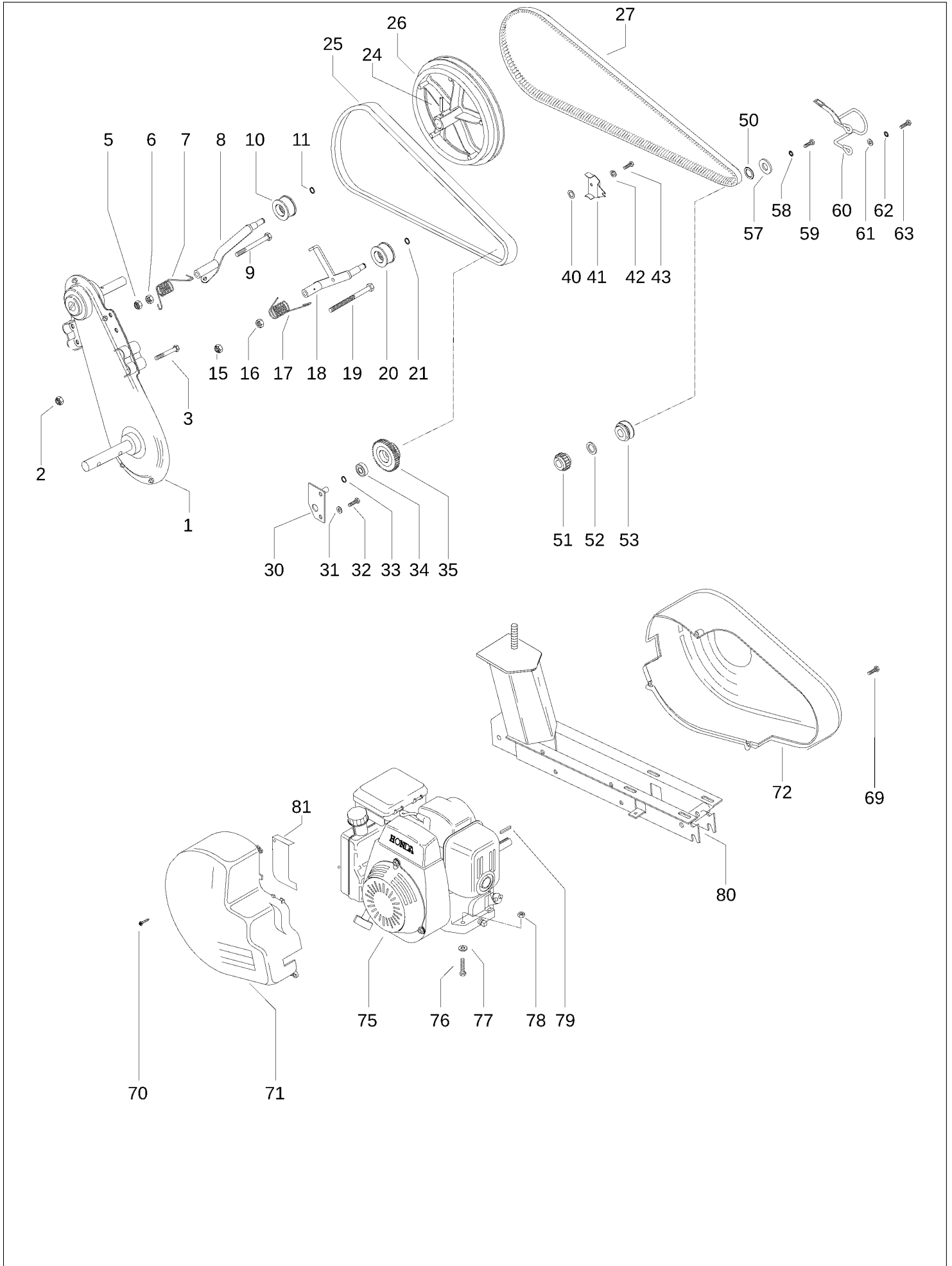
HUSQVARNA OUTDOOR PRODUCTS ITALIA SPA



HUSQVARNA OUTDOOR PRODUCTS ITALIA SPA

Item	PN	Description	Qty	Item	PN	Description	Qty
1	531 20 71-31	sheating	2	87	531 20 74-64	slasher rotor, left side, outer	1
2	522 66 30-01	handle	1	95	531 20 71-61	nut	1
3	531 21 17-67	screw	4	96	531 20 75-62	spring, wheel support	1
13	505 54 57-03	reverse cable	1	97	531 21 24-26	wheel support	1
18	505 54 57-01	clutch cable	1	98	531 20 74-16	screw	1
21	522 66 23-01	cap	1	100	531 20 86-57	cotter pin	2
22	531 21 17-20	dashboard	1	101	531 21 10-04	washer	2
23	531 21 20-25	throttle cable	1	102	531 20 75-83	wheel	2
24	531 20 78-36	screw	1				
25	531 20 66-66	washer	1				
26	531 20 51-38	throttle lever	1				
27	531 20 66-66	washer	1				
28	531 20 84-92	nut	1				
29	531 21 28-50	dashboard cover	1				
31	531 21 24-24	rod	1				
32	531 21 24-25	cotter pin	1				
40	522 66 29-01	lever	1				
41	531 20 71-73	washer	1				
42	531 20 71-55	washer	1				
43	522 66 27-01	plate upper	1				
44	522 66 28-01	plate lower	1				
45	531 20 75-08	lever	1				
46	531 20 71-73	washer	1				
47	531 20 71-55	washer	1				
48	531 21 24-18	screw	1				
59	531 20 71-61	nut	1				
60	531 20 75-11	screw	1				
61	531 20 87-69	screw	6				
62	531 20 74-20	bracket, safety flap	2				
63	522 66 25-01	safety flap right	1				
64	522 66 26-01	safety flap left	1				
65	531 20 86-60	screw	2				
66	531 20 76-00	support, safety flap	1				
67	531 20 84-99	washer	4				
68	531 20 71-65	nut	4				
69	531 20 84-99	washer	2				
70	531 20 71-65	nut	2				
75	531 20 74-76	outer disk	2				
76	531 21 10-04	washer	2				
77	531 20 74-63	slasher rotor, right side, outer	1				
78	531 20 74-65	slasher rotor, right side, central	1				
79	531 20 75-06	slasher rotor, right side, inner	1				
80	531 20 86-34	pin	8				
85	531 20 75-07	slasher rotor, left side, inner	1				
86	531 20 74-66	slasher rotor, left side, central	1				

HUSQVARNA OUTDOOR PRODUCTS ITALIA SPA



HUSQVARNA OUTDOOR PRODUCTS ITALIA SPA

Item	PN	Description	Qty
1	531 20 75-16	gear box	1
2	531 20 71-61	nut, self locking	1
3	531 20 74-16	screw	1
5	531 20 71-61	nut, self locking	1
6	531 20 79-78	nut	1
7	531 20 75-64	spring	1
8	531 20 75-24	belt tensioner, reverse speed	1
9	531 20 50-05	bolt	1
10	531 20 44-30	pulley	1
11	531 20 87-72	seeger	1
15	531 20 71-61	nut, self locking	1
16	531 20 79-78	nut	1
17	531 20 75-63	spring	1
18	531 20 75-22	belt tensioner	1
19	531 20 74-26	bolt	1
20	531 20 44-30	pulley	1
21	531 20 87-72	seeger	1
24	531 20 84-04	resilient pin	1
25	531 20 74-31	belt	1
26	531 20 74-88	pulley	1
27	531 20 75-10	belt	1
30	531 20 75-85	inner fix plate	1
31	531 20 49-22	washer	1
32	531 20 74-30	screw	2
33	531 20 87-72	seeger	1
34	531 20 87-65	ball bearing	1
35	531 20 75-87	gear	1
40	531 20 75-88	spacer	1
41	531 20 75-89	belt guide	1
42	531 20 75-95	washer	1
43	531 20 86-12	screw	1
50	531 20 67-25	spacer	1
51	531 20 75-86	gear	1
52	531 20 75-94	spacer	1
53	531 20 75-02	pulley	1
57	531 20 55-52	washer	1
58	531 20 79-81	washer	1
59	531 20 75-96	screw	1
60	531 20 75-78	belt guide	1
61	531 20 49-22	washer	1
62	531 20 79-81	washer	1
63	531 20 75-96	screw	2
69	531 20 73-85	screw	4
70	531 20 82-16	screw	1
71	531 21 24-38	housing, right	1

Item	PN	Description	Qty
72	531 21 24-39	housing, left	1
75	————	engine, Honda model number GC160E-QH-P7-SD	1
76	531 20 70-44	screw	4
77	531 20 49-22	washer	4
78	531 20 85-99	nut	4
79	531 20 74-32	key	1
80	522 66 24-01	deck	1
81	531 20 75-80	engine protection	1