



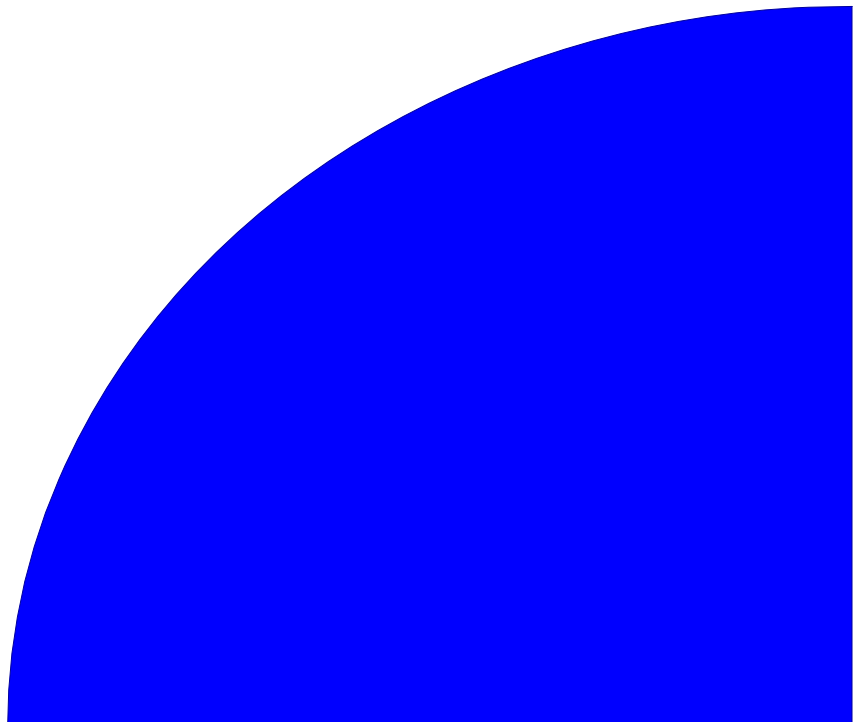
Castorama

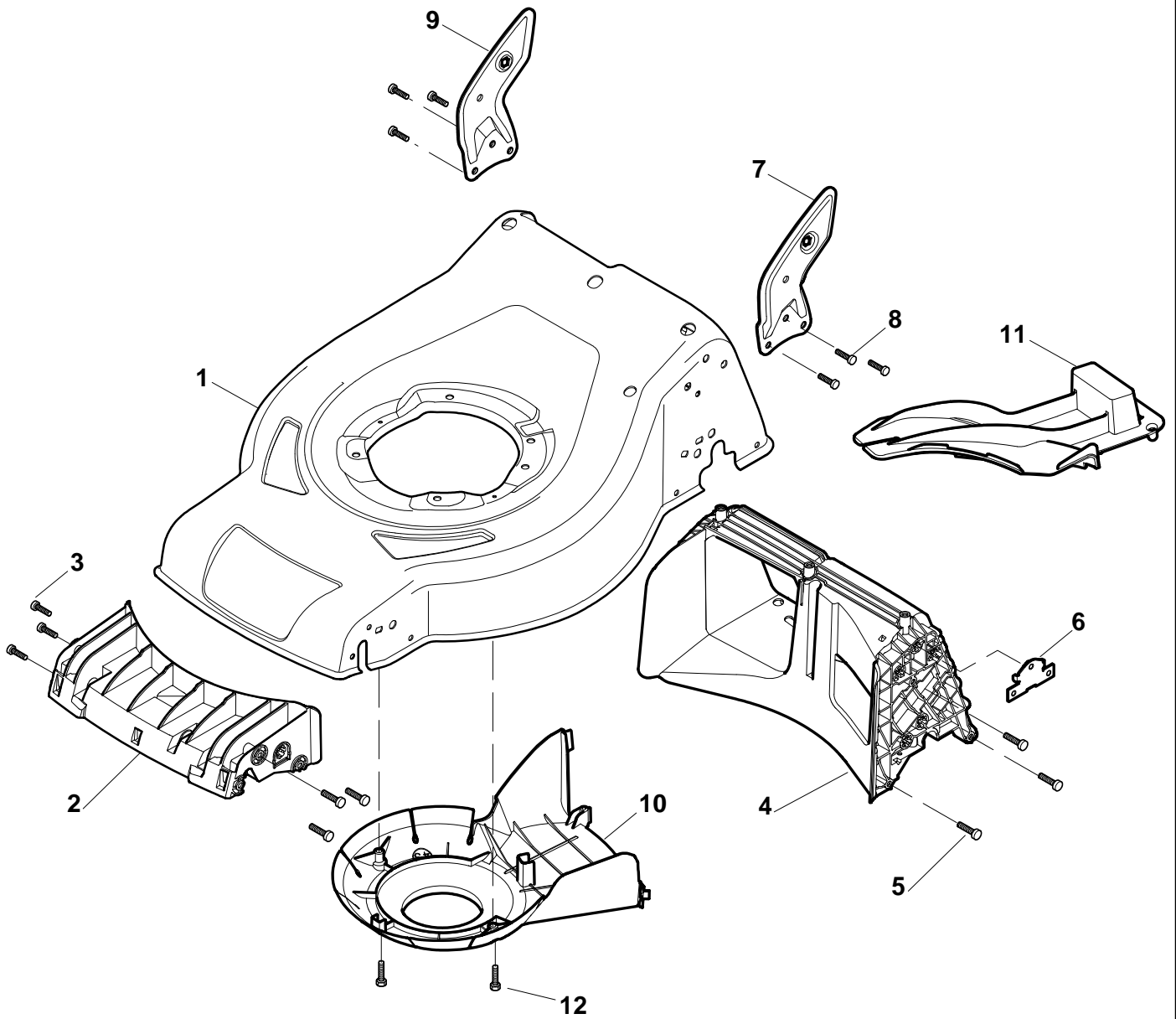
**Catalogue des pieces de rechange
Spare parts catalogue**

Modèle/Model:

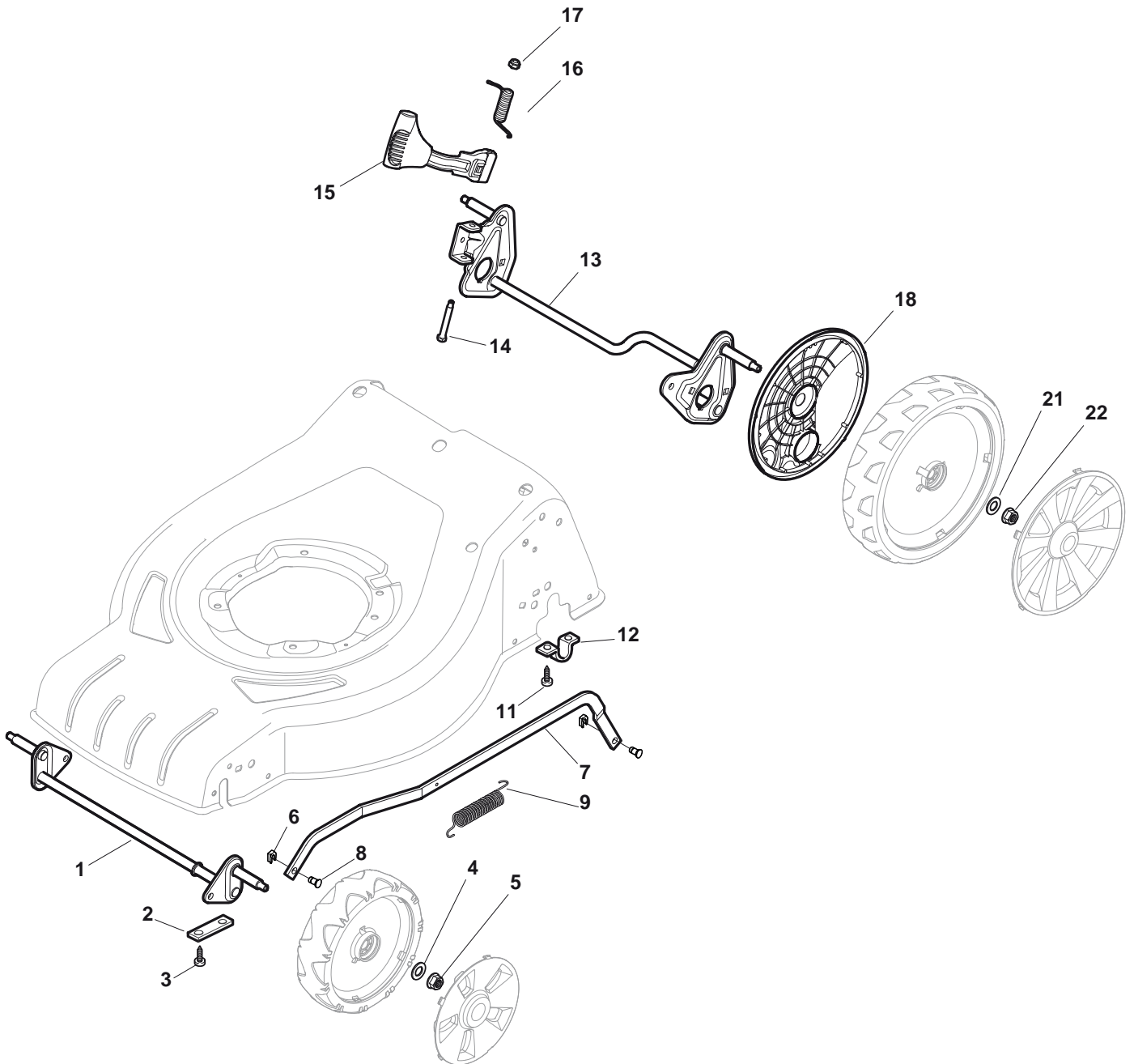
MLM 1800 - Année Modèle 2012

MLM 1800 - Model Year 2012

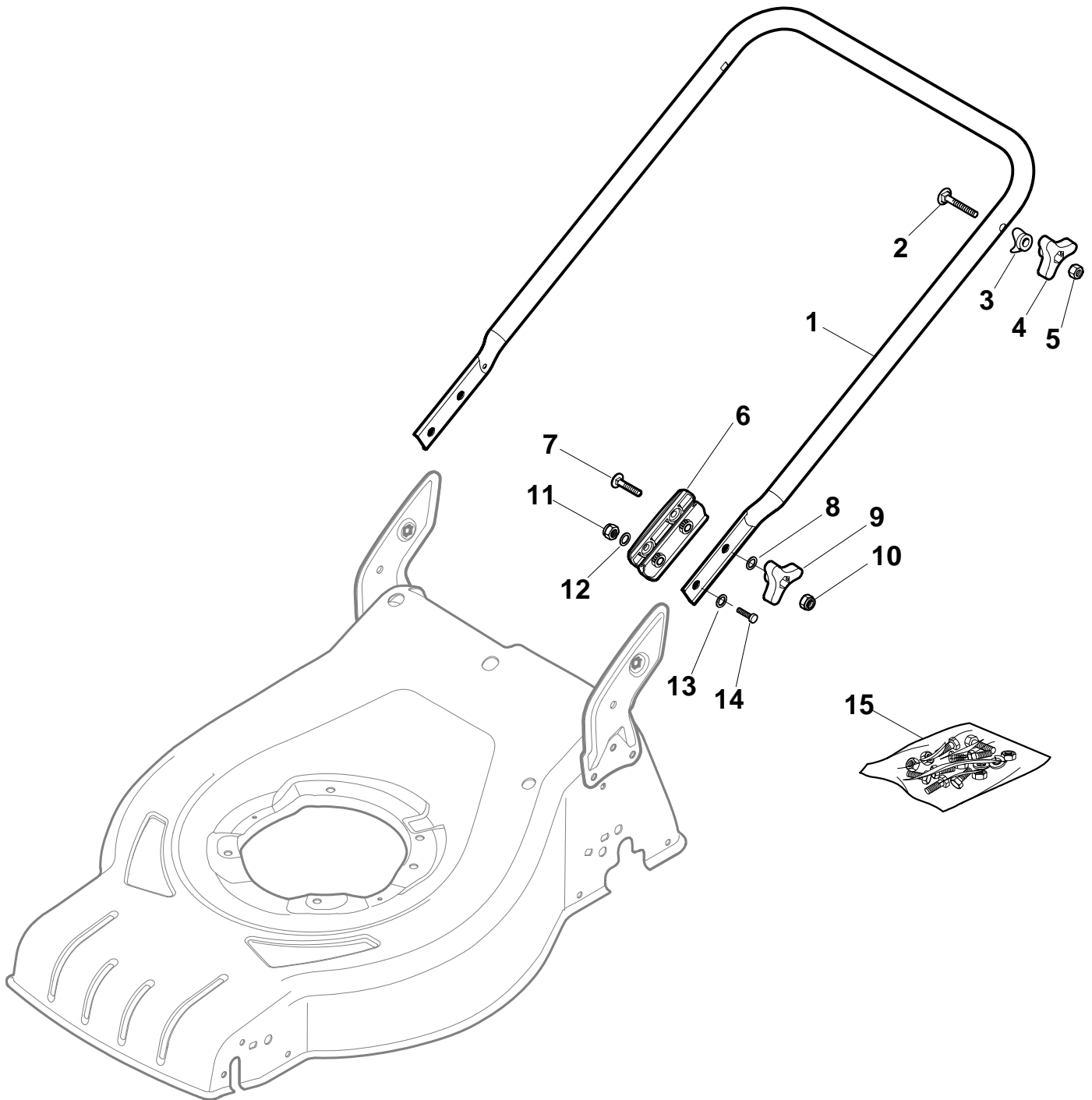




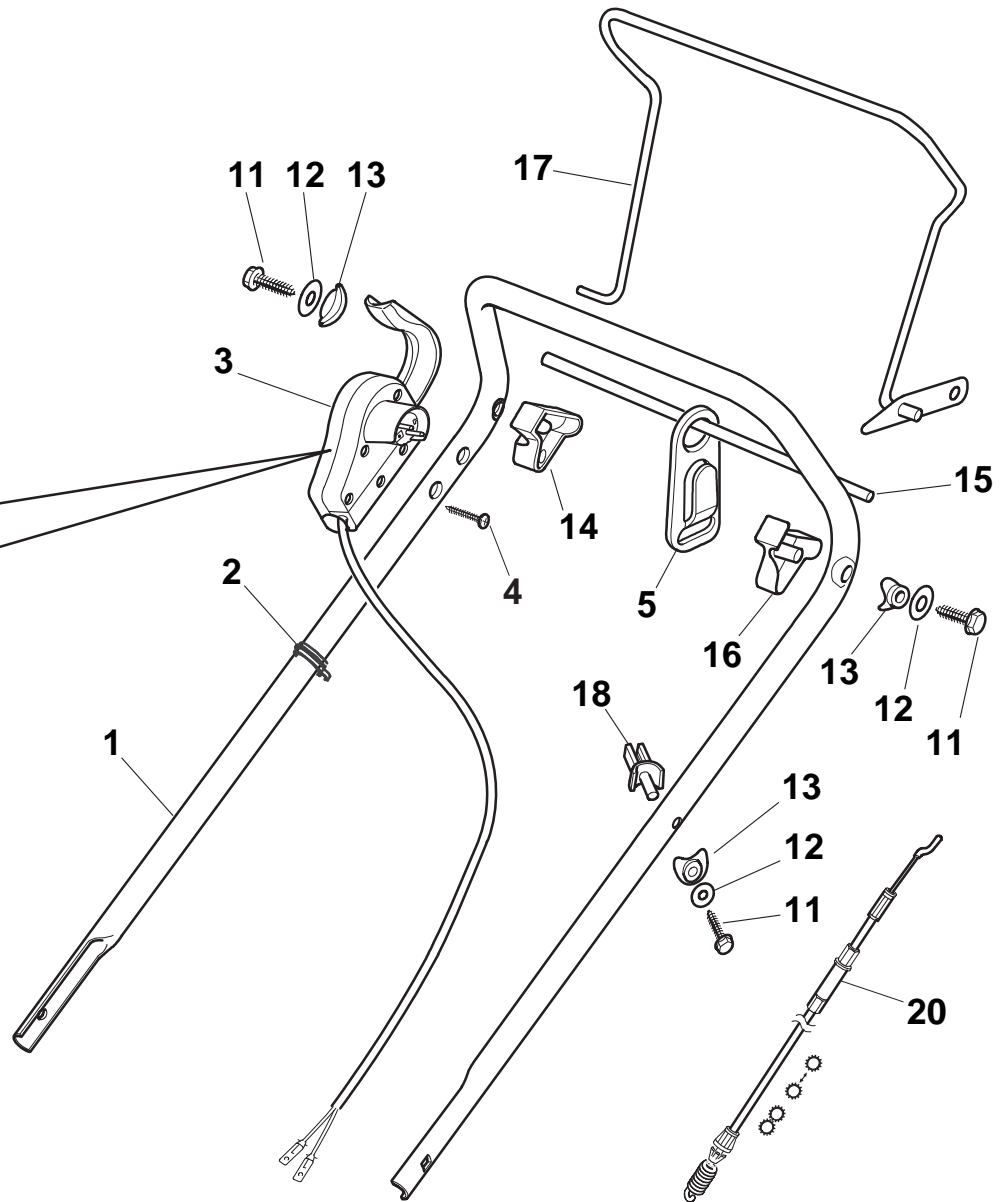
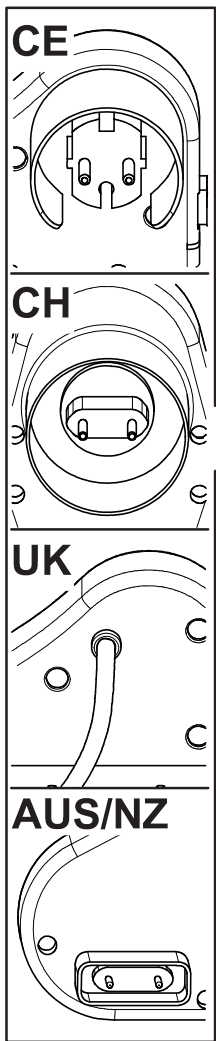
| Pos. | Part no. | Q.ty | Description | Description |
|------|-------------|------|----------------------|--------------------|
| 1 | 381004051/0 | 1 | Châssis Noire | Deck Black |
| 2 | 322108308/0 | 1 | Ens. Convoyeur Post. | Rear Conveyor Assy |
| 3 | 112728699/0 | 6 | Vis | Screw |
| 4 | 322108302/0 | 1 | Ens. Convoyeur Post. | Rear Conveyor Assy |
| 5 | 112728699/0 | 6 | Vis | Screw |
| 6 | 322545213/0 | 2 | Plaquette | Plate |
| 7 | 381005167/0 | 1 | Bride G | Bracket, L |
| 8 | 112727801/0 | 6 | Vis | Screw |
| 9 | 381005165/0 | 1 | Bride D | Bracket, R |
| 10 | 322060250/0 | 1 | Protection Courroie | Protection, Belt |
| 11 | 322140244/0 | 1 | Bouchon Mulching | Mulching Plug |
| 12 | 12728530/0 | 2 | Vis | Screw |



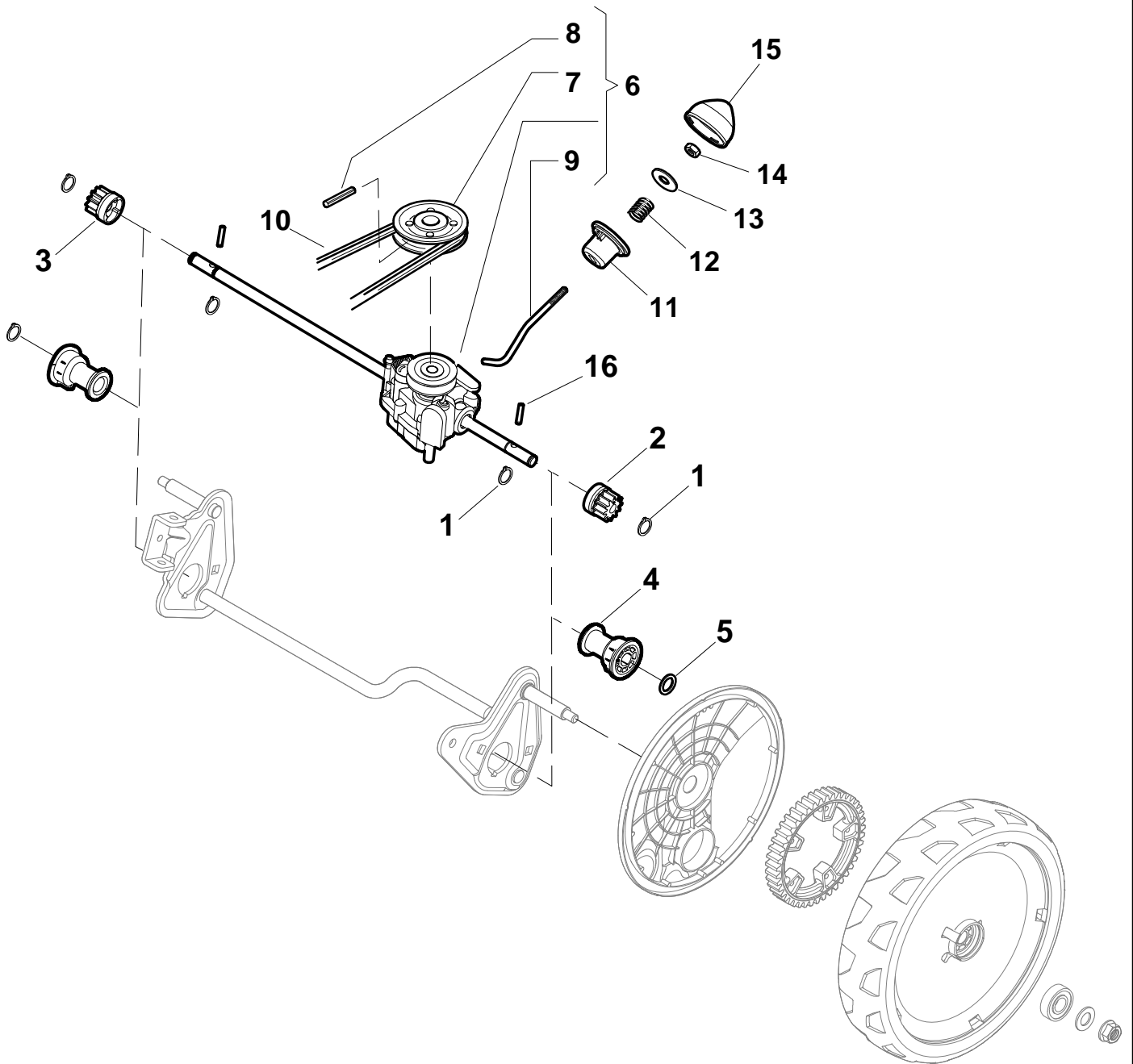
| Pos. | Part no. | Q.ty | Description | Description |
|------|-------------|------|-------------------------------|--------------------------|
| 1 | 381302821/0 | 1 | Axe Roues Avant | Axle, Front Wheels |
| 2 | 22545142/0 | 2 | Plaque | Plate |
| 3 | 112728698/0 | 4 | Vis | Screw |
| 4 | 12521350/0 | 2 | Rondelle | Washer |
| 5 | 12155000/0 | 2 | Ecrou | Nut |
| 6 | 112436051/0 | 2 | Plaque | Plate |
| 7 | 322869673/0 | 1 | Tige Commande Reglage Hauteur | Rod, Height Adjustment |
| 8 | 122519820/0 | 2 | Pivot | Pin |
| 9 | 122446193/0 | 1 | Ressort | Spring |
| 11 | 112728698/0 | 4 | Vis | Screw |
| 12 | 22545152/0 | 2 | Plaque | Plate |
| 13 | 381302817/0 | 1 | Axe Roues Arriere | Axle, Rear Wheels |
| 14 | 122534131/0 | 1 | Pivot | Pin |
| 15 | 381003357/0 | 1 | Levier, Reglage Hauteur | Lever, Height Adjustment |
| 16 | 122446192/0 | 1 | Ressort | Spring |
| 17 | 12154510/0 | 1 | Ecrou | Nut |
| 18 | 322600205/0 | 2 | Protection Roue | Wheel Protection |
| 21 | 12521350/0 | 2 | Rondelle | Washer |
| 22 | 12155000/0 | 2 | Ecrou | Nut |



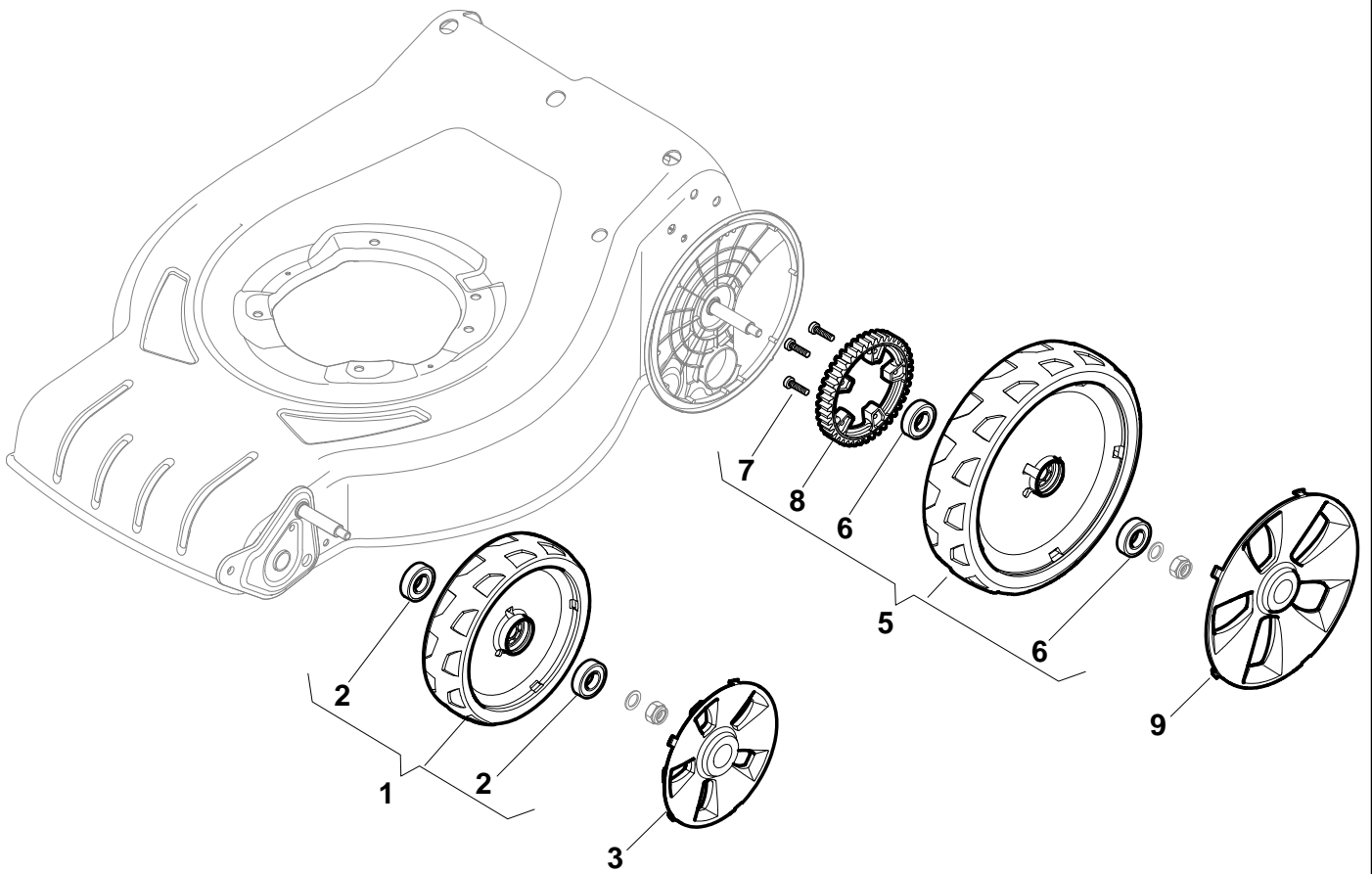
| Pos. | Part no. | Q.ty | Description | Description |
|------|-------------|------|------------------------------|--------------------|
| 1 | 381006735/0 | 1 | Mancheron, Partie Inferieure | Handle, Lower Part |
| 2 | 12819120/0 | 2 | Vis | Screw |
| 3 | 22680006/1 | 3 | Rondelle | Washer |
| 4 | 22399900/0 | 4 | Poignée | Knob |
| 5 | 12293200/0 | 5 | Ecrou | Nut |
| 6 | 322551582/0 | 6 | Plaque De Isolement | Isolation Plate |
| 7 | 12819110/0 | 7 | Vis | Screw |
| 8 | 12523060/0 | 8 | Rondelle | Washer |
| 9 | 22399900/0 | 9 | Poignée | Knob |
| 10 | 12293200/0 | 10 | Ecrou | Nut |
| 11 | 12155000/0 | 11 | Ecrou | Nut |
| 12 | 12521350/0 | 12 | Rondelle | Washer |
| 13 | 12521350/0 | 13 | Rondelle | Washer |
| 14 | 12793701/0 | 14 | Vis | Screw |
| 15 | 381008698/0 | 15 | Dotation Visserie | Outfit, Screws |



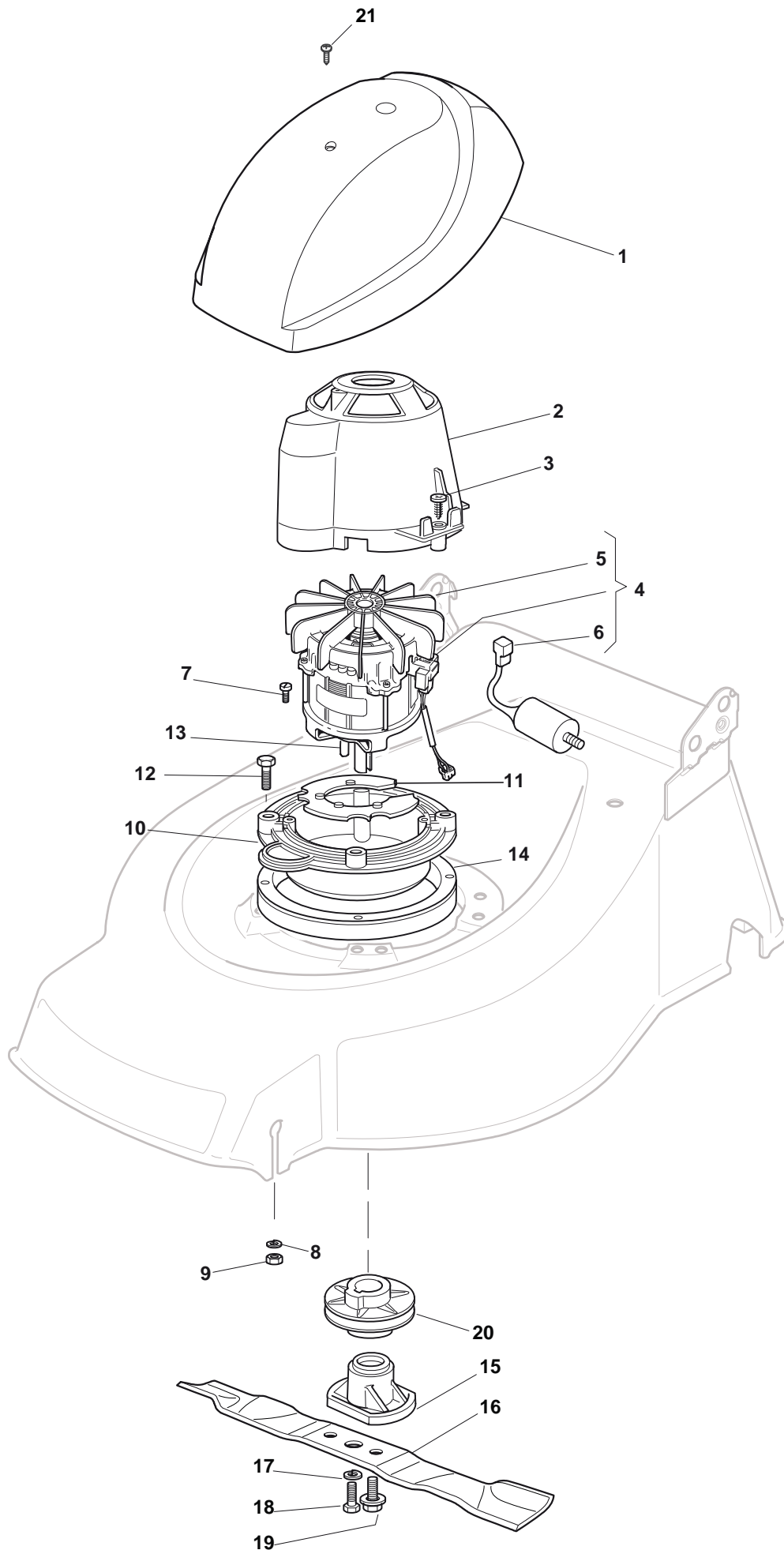
| Pos. | Part no. | Q.ty | Description | Description |
|------|-------------|------|------------------------------|--------------------|
| 1 | 81006603/0 | 1 | Mancheron, Partie Superieure | Handle, Upper Part |
| 2 | 22192000/1 | 2 | Collier | Clamp |
| 3 | 18710634/0 | 3 | Int. Main Morte | Dead Hand Switch |
| 4 | 12728701/0 | 4 | Vis | Screw |
| 5 | 322195101/4 | 5 | Fixation Cable | Fairlead |
| 11 | 12735103/0 | 11 | Vis | Screw |
| 12 | 12523040/0 | 12 | Rondelle | Washer |
| 13 | 22680006/1 | 13 | Rondelle | Washer |
| 14 | 322806518/2 | 14 | Support D | Support, R |
| 15 | 22020320/0 | 15 | Support Serrecable | Fairlead Bearing |
| 16 | 322806519/2 | 16 | Support G | Support, L |
| 17 | 81001245/1 | 17 | Levier Traction | Driving Lever |
| 18 | 22806520/0 | 18 | Support Ecrou Reg. | Support, Adjuster |
| 20 | 381030012/0 | 20 | Câble, Commande Traction | Cable, Rear Drive |



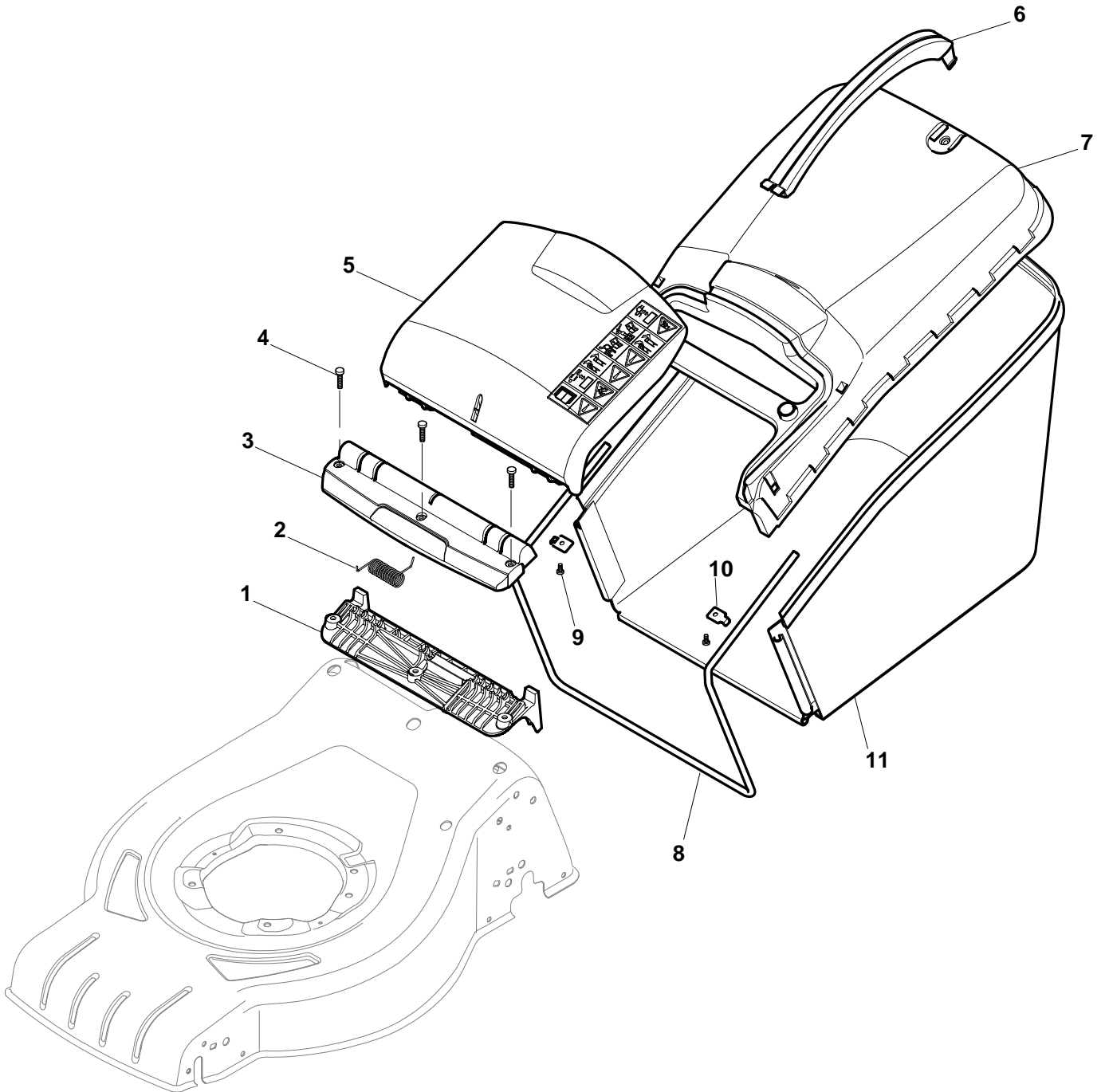
| Pos. | Part no. | Q.ty | Description | Description |
|------|-------------|------|-----------------|----------------|
| 1 | 12608600/0 | 4 | Seeger | Seeger |
| 2 | 22570120/1 | 1 | Pignon G | Pinion L |
| 3 | 22570110/1 | 1 | Pignon D | Pinion R |
| 4 | 322042066/0 | 2 | Douille | Bush |
| 5 | 112521371/0 | 2 | Rondelle | Washer |
| 6 | 81003092/0 | 1 | Groupe Traction | Gear Box |
| 7 | 22601904/0 | 1 | Poulie | Pulley |
| 8 | 12645700/0 | 1 | Goupille | Pin |
| 9 | 22033283/0 | 1 | Tige Reglage | Adjustment Rod |
| 10 | 35063800/0 | 1 | Courroie | Belt |
| 11 | 22041957/1 | 1 | Douille | Bush |
| 12 | 22450063/0 | 1 | Ressort | Spring |
| 13 | 22680009/0 | 1 | Rondelle | Washer |
| 14 | 12154510/0 | 1 | Ecrou | Nut |
| 15 | 22110230/0 | 1 | Bouchon | Cap |
| 16 | 22753000/0 | 2 | Goupille | Pin |



| Pos. | Part no. | Q.ty | Description | Description |
|------|-------------|------|-------------------|--------------|
| 1 | 381007448/0 | 1 | Roue Ø 180 | Wheel Ø 180 |
| 2 | 19216035/0 | 2 | Coussinet | Bearing |
| 3 | 322110636/0 | 3 | Couvre-Moyeu Gris | Hub Cap Grey |
| 5 | 381007463/0 | 5 | Roue Ø 240 | Wheel Ø 240 |
| 6 | 19216035/0 | 6 | Coussinet | Bearing |
| 7 | 112728706/0 | 7 | Vis | Screw |
| 8 | 322120117/0 | 8 | Couronne | Ring Gear |
| 9 | 322110637/0 | 9 | Couvre-Moyeu Gris | Hub Cap Grey |



| Pos. | Part no. | Q.ty | Description | Description |
|------|-------------|------|------------------------|--------------------|
| 1 | 22055058/0 | 1 | Capot | Cover |
| 2 | 22785210/0 | 2 | Support Capot | Support, Cover |
| 3 | 12728710/0 | 3 | Vis | Screw |
| 4 | 118563641/1 | 4 | Moteur Atb | Motor Atb |
| 5 | 18740054/0 | 5 | Ventilateur Moteur Atb | Fan Motor Atb |
| 6 | 18222039/0 | 6 | Condenseur 25 µf | Condenser 25 µf |
| 7 | 12735410/0 | 7 | Vis | Screw |
| 8 | 12583500/0 | 8 | Grower | Grower |
| 9 | 12293200/0 | 9 | Ecrou | Nut |
| 10 | 322207211/4 | 10 | Bride | Flange |
| 11 | 322720360/2 | 11 | Ecran Ventilation | Ventilation Screen |
| 12 | 12691800/0 | 12 | Vis | Screw |
| 13 | 12139440/0 | 13 | Clavette | Feather |
| 14 | 22170960/1 | 14 | Entretoise | Spacer |
| 15 | 322463186/3 | 15 | Moyeu | Hub |
| 16 | 81004346/3 | 16 | Lame Standard | Blade Standard |
| 16 | 81004397/0 | 16 | Lame Ailetée | Blade Winged |
| 17 | 12583500/0 | 17 | Grower | Grower |
| 18 | 12793101/0 | 18 | Vis | Screw |
| 19 | 381004352/1 | 19 | Vis | Screw |
| 20 | 22601911/1 | 20 | Pouile | Pulley |
| 21 | 12728680/0 | 21 | Vis | Screw |



| Pos. | Part no. | Q.ty | Description | Description |
|------|-------------|------|------------------------------|----------------------------|
| 1 | 322785331/0 | 1 | Support | Support |
| 2 | 122450464/0 | 1 | Ressort | Spring |
| 3 | 322109556/0 | 1 | Couvre , Jaune | Cover, Yellow |
| 3 | 322109557/0 | 1 | Couvercle, Gris | Cover, Grey |
| 4 | 112728699/0 | 1 | Vis | Screw |
| 5 | 322600214/0 | 1 | Pare-Pierres, Jaune | Stone-Guard Yellow |
| 5 | 322600216/1 | 1 | Pare-Pierres, Gris | Stone-Guard Grey |
| 6 | 322393646/0 | 1 | Poignée | Handle |
| 6 | 322393649/0 | 1 | Poignée | Handle |
| 7 | 322486264/0 | 1 | Sac, Partie Superieure Jaune | Grassbox Upper Part Yellow |
| 7 | 322486270/0 | 1 | Sac, Partie Superieure, Gris | Grassbox Upper Part, Grey |
| 8 | 122608561/0 | 1 | Réinforcement Inf | Stiffening Lower |
| 9 | 12728692/0 | 2 | Vis | Screw |
| 10 | 322545159/0 | 2 | Plaquette | Plate |
| 11 | 181002318/0 | 1 | Sac, Toile | Box, Fabric |