

Parts Catalogue

MLMP150B&S-46SP

- Use GLOBAL GARDEN PRODUCT Genuine Spare Parts specified in the parts list for repair and/or replacement.
- The contents described in the parts list may change due to improvement.
- The drawings of the spare parts are only indicative and might not represent the part in question exactly.
- The indications "right" - "left" - "front" - "rear" refer to the position of the operator when using the machine.
- When placing orders of parts for repair and/or replacement, make sure that the illustrated parts list is the one applying to the machine's year of manufacture, as shown on the identification plate attached to the machine.

© Copyright 2016 Global Garden Products

All content is subject to copyright by Global Garden Products and may not be reproduced in whole or in part by any means, electronic or otherwise, without prior written approval.

THIS INFORMATION IS NOT INTENDED FOR SALE OR RESALE, AND THIS NOTICE MUST REMAIN ON ALL COPIES.

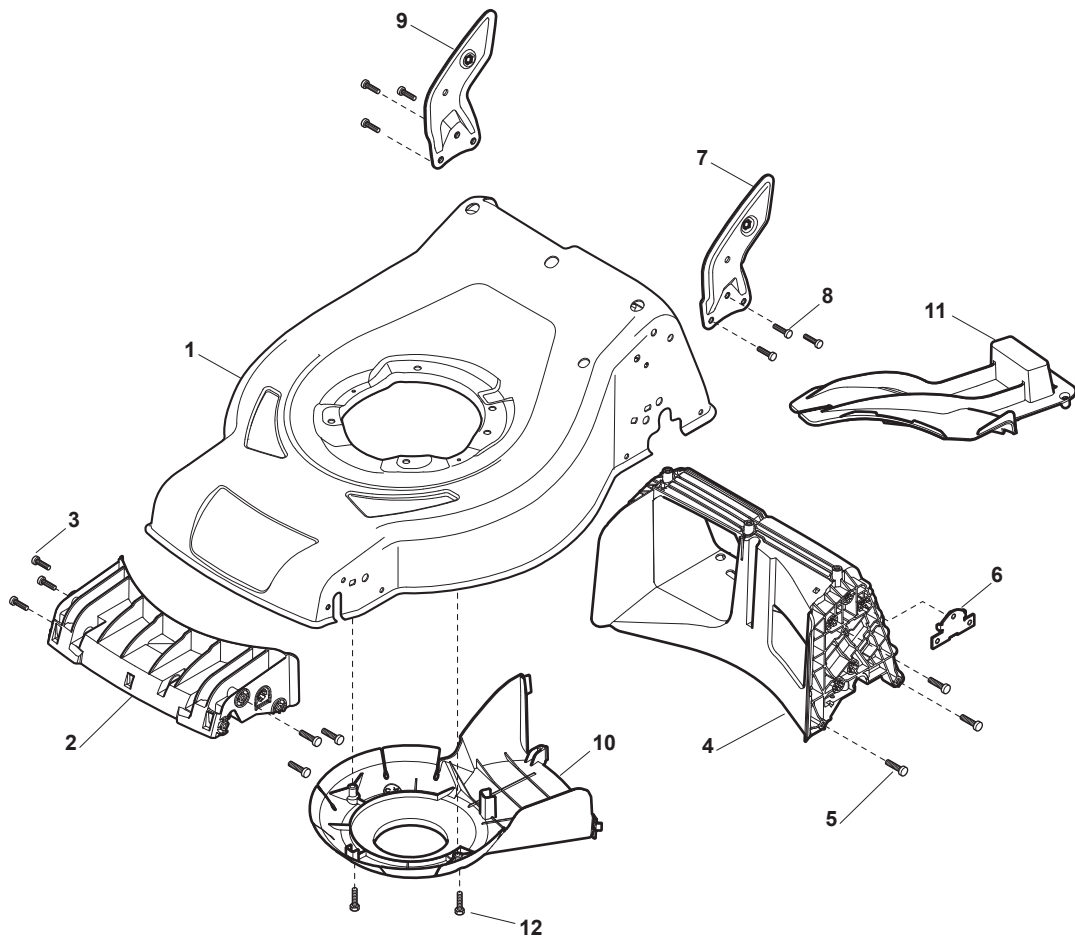


Fig.	Q.ty	Part No	Description	Notes
1	1	381004548/0	Red Deck	
2	1	322108301/1	Front Conveyor Assy	
3	6	112728699/0	Screw	
4	1	322108302/0	Rear Conveyor Assy	
5	6	112728699/0	Screw	
6	2	322545213/0	Plate	
7	1	381005139/0	Left Bracket	
8	6	112727801/0	Screw	
9	1	381005137/0	Right Bracket	
10	1	322060242/0	Belt Protection	
11	1	322140239/0	Mulching Deflector	
12	2	112728530/0	Screw	

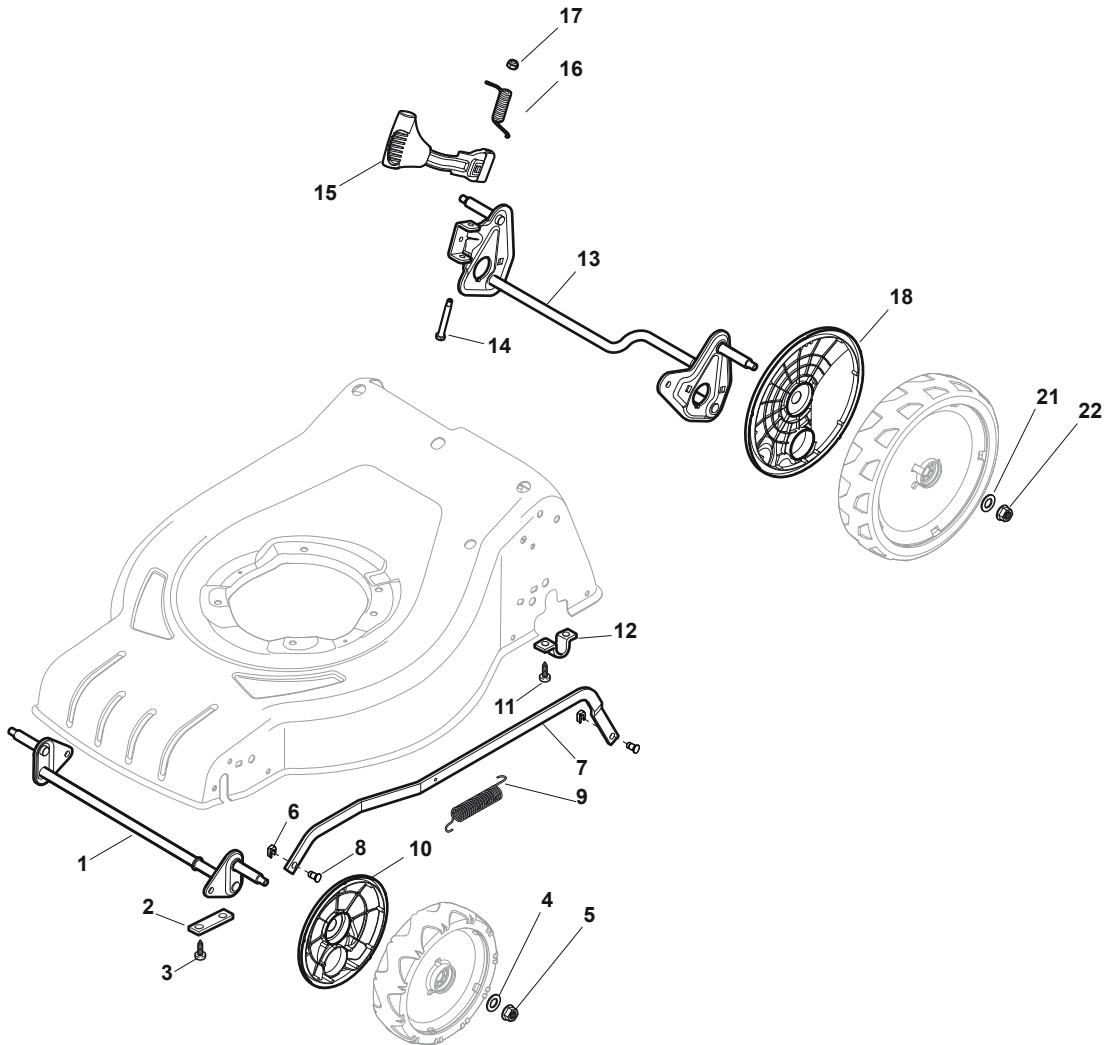


Fig.	Q.ty	Part No	Description	Notes
1	1	381302821/0	Front Wheel Axle	
2	2	322545142/0	Plate	
3	4	112728698/0	Screw	
4	2	112521350/0	Washer	
5	2	112155000/0	Nut	
6	2	112436051/0	Plate	
7	1	322869673/0	Rod, Height Adjustment	
8	2	122519820/0	Pin	
9	1	122446193/0	Spring	
10	2	322600247/0	Protection, Wheel	D. 180
11	4	112728698/0	Screw	
12	2	322545152/0	Plate	
13	1	381302817/0	Rear Wheel Axle	
14	1	122534131/0	Pin	
15	1	381003357/0	Wheels Rear Adj. Lever	
16	1	122446192/0	Spring	
17	1	112154510/0	Nut	
18	1	322600205/1	Protection, Wheel	
21	2	112521350/0	Washer	
22	2	112155000/0	Nut	

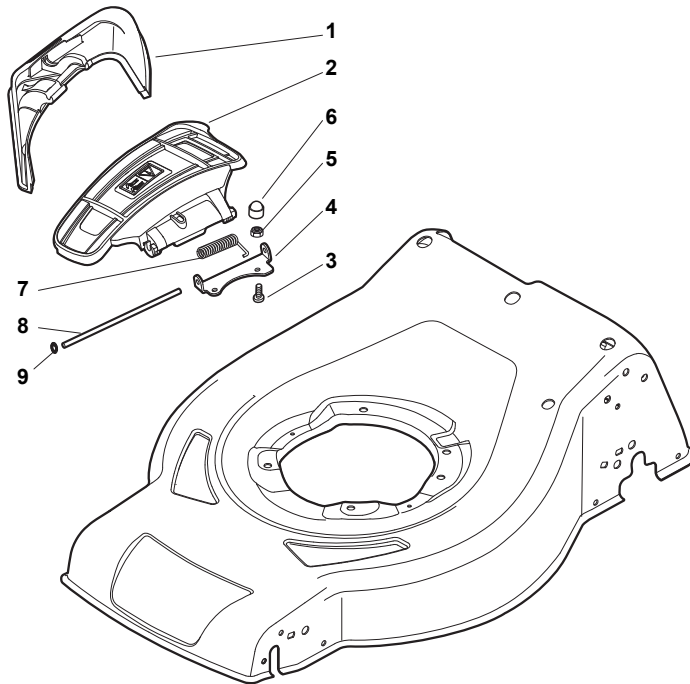


Fig.	Q.ty	Part No	Description	Notes
1	1	322108309/1	Rear Conveyor Assy	Black
2	1	322600314/0	Ejection Guard	
8	1	122517869/1	Pin	
3	2	112727803/0	Screw	
4	1	322806639/0	Fulcrum Pin	
5	2	112154510/0	Nut	
6	2	118203853/0	Cap	
7	1	122450456/0	Spring	
9	2	112604896/0	Crown Fastener	

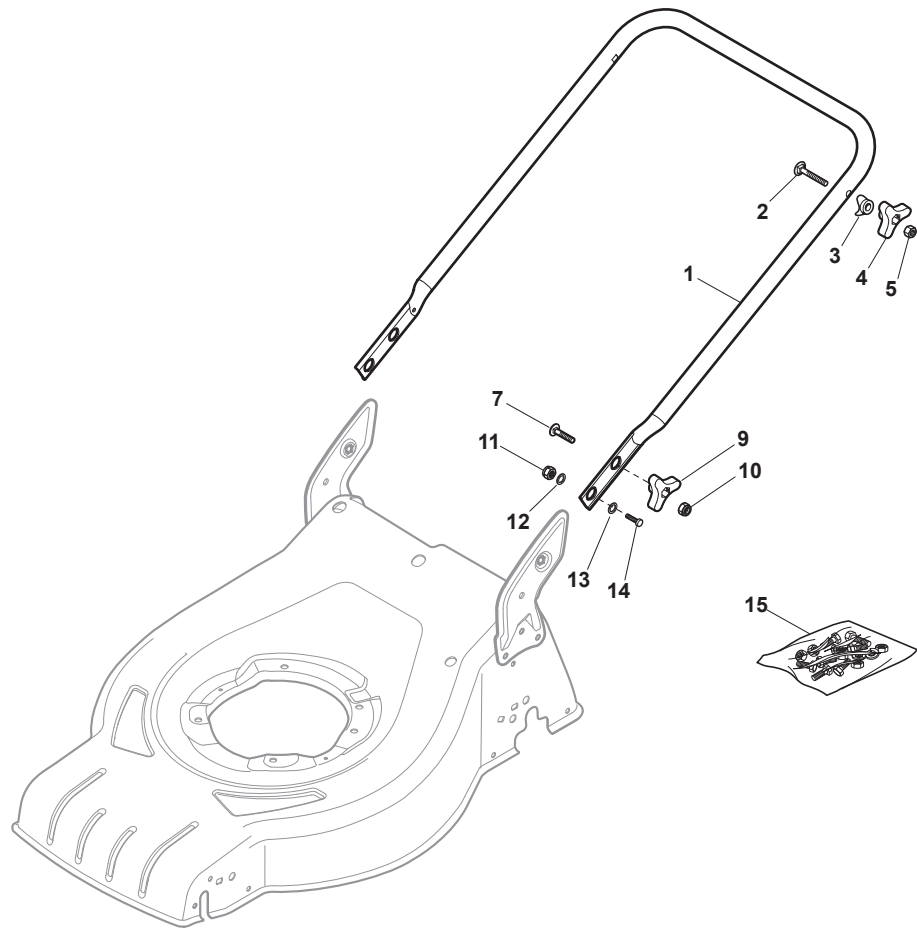


Fig.	Q.ty	Part No	Description	Notes
1	1	381006737/0	Handle Lower Part	Black
2	2	112819110/0	Screw	
3	2	122671651/0	Washer	
4	2	122399900/0	Knob	Black
5	2	112293200/0	Nut	
7	2	112818900/0	Screw	
9	2	122399900/0	Knob	Black
10	2	112293200/0	Nut	
11	2	112155000/0	Nut	
12	2	112521350/0	Washer	
13	2	112369500/0	Elastic Washer	
14	2	112760605/0	Screw	
15	1	381008691/0	Outfit, Screws	Black

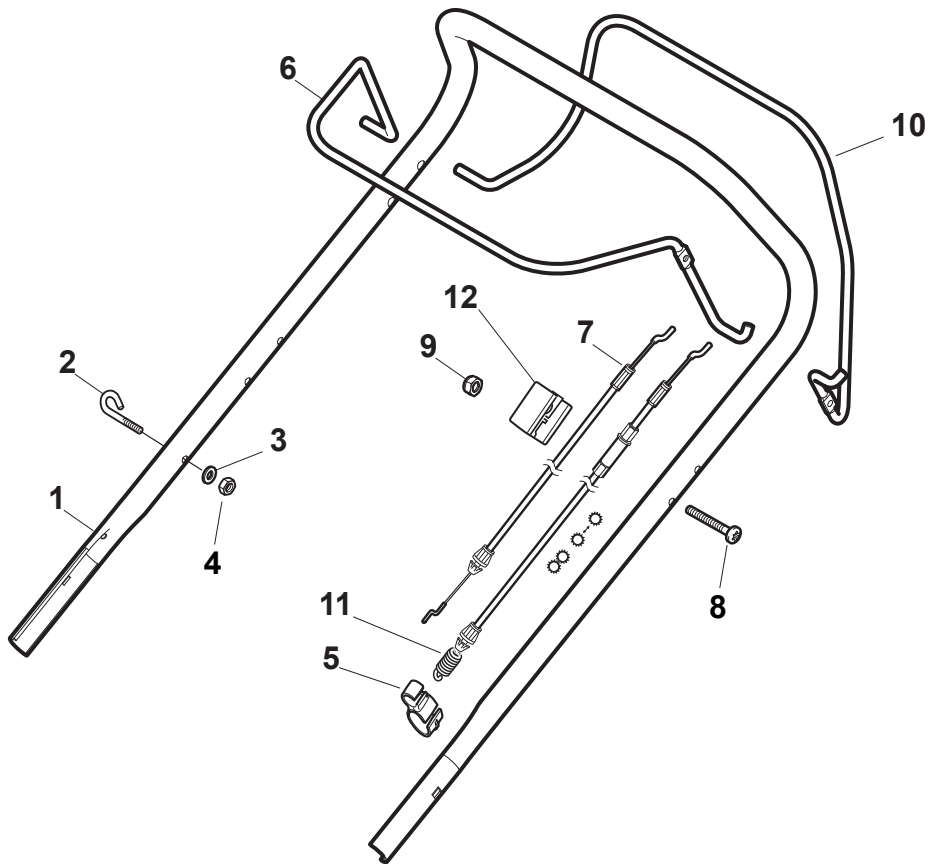


Fig.	Q.ty	Part No	Description	Notes
1	1	381006739/1	Handle, Upper Part	
1	1	381006745/1	Handle, Upper Part with sponge handgrip	
2	1	122430313/0	Guide Spring	
3	1	112521330/0	Washer	
4	1	112154510/0	Nut	
5	1	118390020/0	Conduit Clip Caproeuope (28-1495)	
6	1	181003363/1	Lever, Engine Brake Black	Black
7	1	181030056/0	Cable, Thread Engine Brake	GGP 100cc / GGP /B&S Engine
8	1	112727783/0	Screw	
9	1	112154510/0	Nut	
10	1	181003364/0	Drive Control Lever	Black
11	1	381030051/0	Cable Rear Drive	
12	1	322551640/0	Plate	

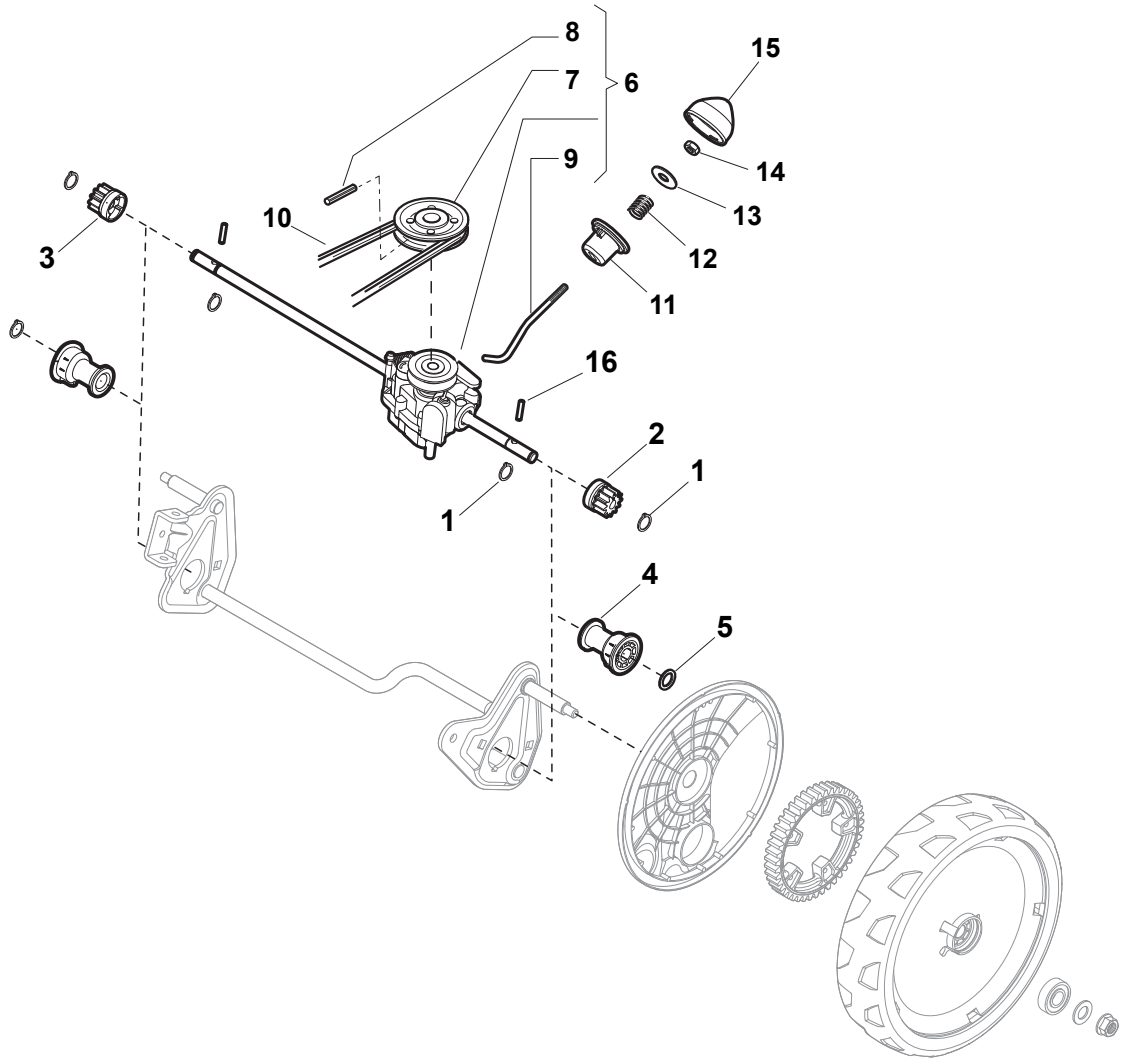


Fig.	Q.ty	Part No	Description	Notes
1	4	112608600/0	Seeger	
2	1	122570120/1	Pinion Left	
3	1	122570110/1	Pinion Right	
4	2	322042066/0	Bushing	
5	2	112521371/0	Washer	
6	1	181003092/0	Gear Box	
7	1	122601909/0	Pulley	
8	1	112645700/0	Elastic Pin	
9	1	122033283/0	Adjustment Rod	
10	1	135063800/0	Trapezoidal Belt	
11	1	122041957/1	Bushing	
12	1	122450063/0	Spring	
13	1	322680009/0	Washer	
14	1	112154510/0	Nut	
15	1	122110230/0	Hub Cover	
16	2	122753000/0	Pin	

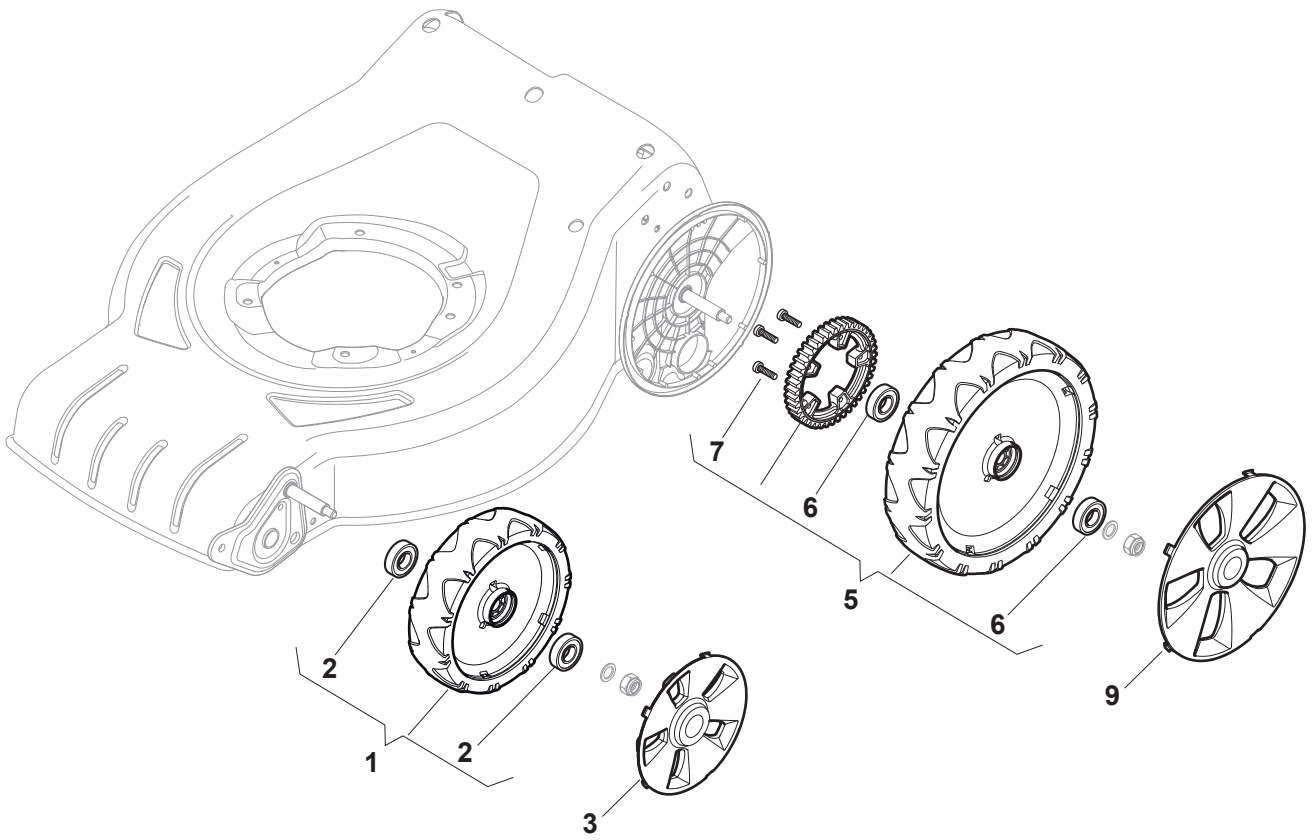


Fig.	Q.ty	Part No	Description	Notes
1	2	381007455/1	Wheel	
2	4	119216035/0	Bearing	
3	2	322110636/0	Hub Cap Grey	
5	2	381007467/1	Wheel	
6	4	119216035/0	Bearing	
7	6	112728706/0	Screw	
9	2	322110637/0	Hub Cap Grey	

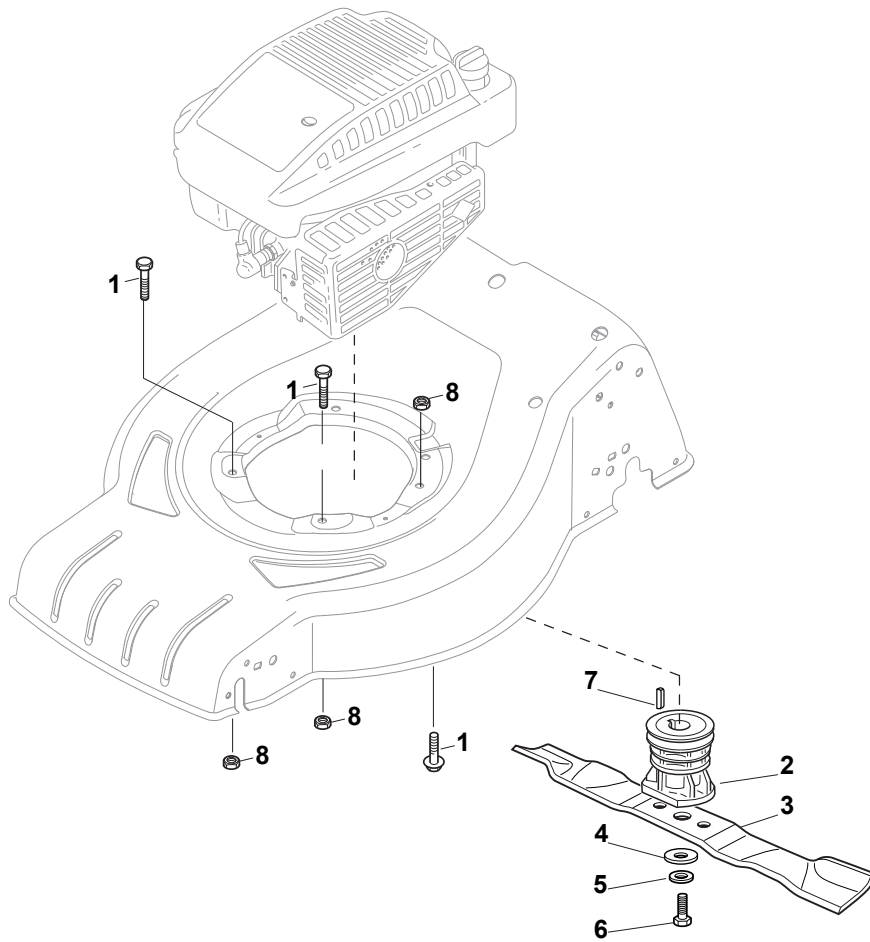


Fig.	Q.ty	Part No	Description	Notes
1	2	112691100/0	Screw	
1	1	112691800/0	Screw	
2	1	122465607/3	Hub With Pulley, Crankshaft Ø 22.2	
3	1	181004460/0	Mulching Blade	
4	1	112508125/0	Elastic Washer	
5	1	112523080/0	Washer	
6	1	112735698/0	Screw	
7	1	112139100/0	Key	
8	3	112154210/0	Nut	

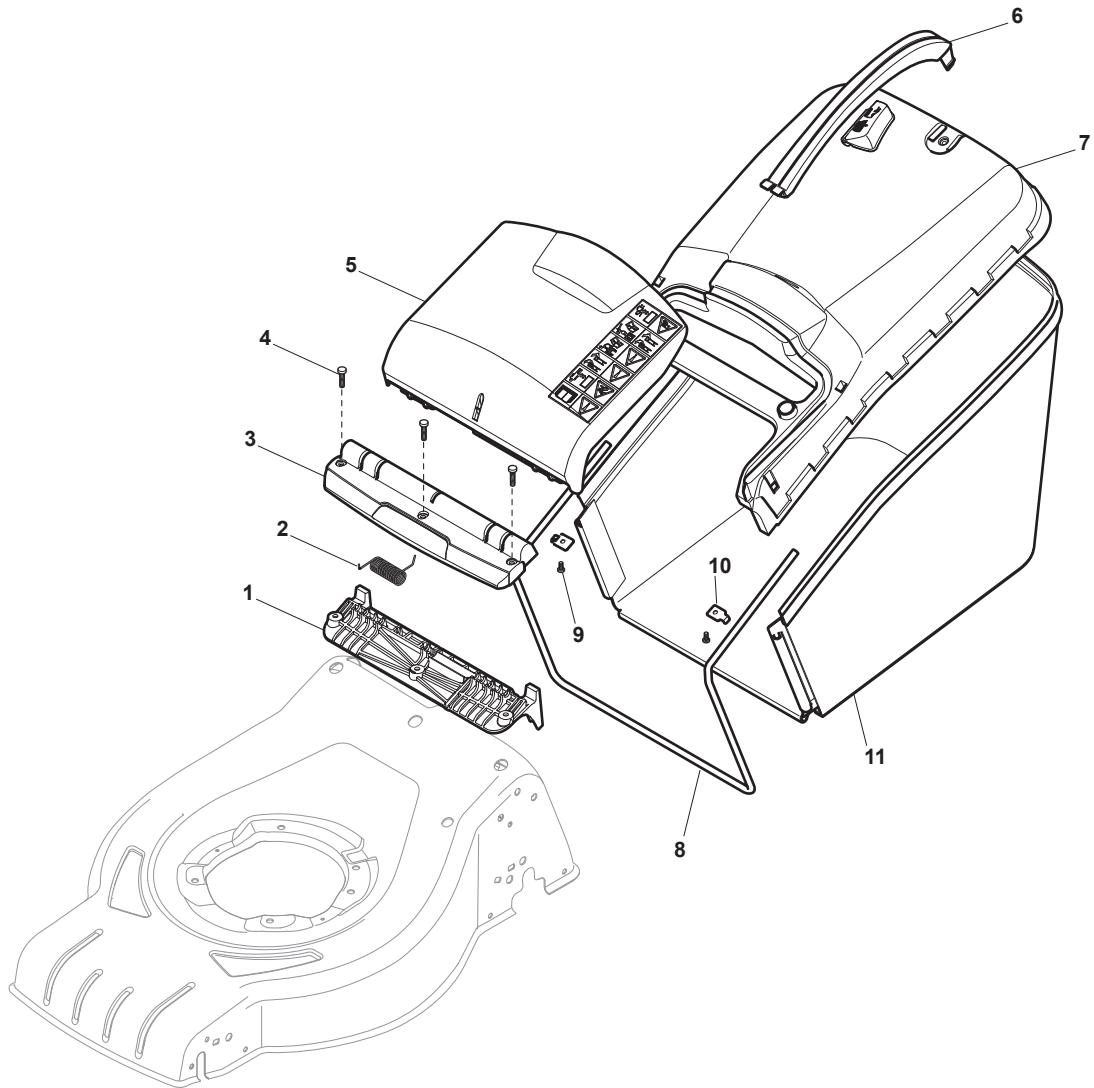


Fig.	Q.ty	Part No	Description	Notes
1	1	322785331/0	Black Stone Guard Support	
2	1	122450464/0	Spring	
3	1	322109554/0	Stone Guard Supp. Cover Black	Black
4	3	112728699/0	Screw	
5	1	322600206/1	Stone Guard, Black	Black
6	1	322393644/0	Handle, Black	Black
6	1	322393715/0	Handle, Grey	Grey NCSS-N
7	1	381486018/0	Grass-Box, Upper Part Black	Black
8	1	122608561/0	Grasscatcher Lower Stiffening Cruiser	
9	2	112728692/0	Screw	
10	2	322545159/0	Plate	
11	1	181002318/0	Box, Fabric	

code	pos.	q.ty	page				
112139100/0	7	1	p. 17	122671651/0	3	2	p. 9
112154210/0	8	3	p. 17	122753000/0	16	2	p. 13
112154510/0	4	1	p. 11	135063800/0	10	1	p. 13
112154510/0	5	2	p. 7	181002318/0	11	1	p. 19
112154510/0	9	1	p. 11	181003092/0	6	1	p. 13
112154510/0	14	1	p. 13	181003363/1	6	1	p. 11
112154510/0	17	1	p. 5	181003364/0	10	1	p. 11
112155000/0	5	2	p. 5	181004460/0	3	1	p. 17
112155000/0	11	2	p. 9	181030056/0	7	1	p. 11
112155000/0	22	2	p. 5	322042066/0	4	2	p. 13
112293200/0	5	2	p. 9	322060242/0	10	1	p. 3
112293200/0	10	2	p. 9	322108301/1	2	1	p. 3
112369500/0	13	2	p. 9	322108302/0	4	1	p. 3
112436051/0	6	2	p. 5	322108309/1	1	1	p. 7
112508125/0	4	1	p. 17	322109554/0	3	1	p. 19
112521330/0	3	1	p. 11	322110636/0	3	2	p. 15
112521350/0	4	2	p. 5	322110637/0	9	2	p. 15
112521350/0	12	2	p. 9	322140239/0	11	1	p. 3
112521350/0	21	2	p. 5	322393644/0	6	1	p. 19
112521371/0	5	2	p. 13	322393715/0	6	1	p. 19
112523080/0	5	1	p. 17	322545142/0	2	2	p. 5
112604896/0	9	2	p. 7	322545152/0	12	2	p. 5
112608600/0	1	4	p. 13	322545159/0	10	2	p. 19
112645700/0	8	1	p. 13	322545213/0	6	2	p. 3
112691100/0	1	2	p. 17	322551640/0	12	1	p. 11
112691800/0	1	1	p. 17	322600205/1	18	1	p. 5
112727783/0	8	1	p. 11	322600206/1	5	1	p. 19
112727801/0	8	6	p. 3	322600247/0	10	2	p. 5
112727803/0	3	2	p. 7	322600314/0	2	1	p. 7
112728530/0	12	2	p. 3	322680009/0	13	1	p. 13
112728692/0	9	2	p. 19	322785331/0	1	1	p. 19
112728698/0	3	4	p. 5	322806639/0	4	1	p. 7
112728698/0	11	4	p. 5	322869673/0	7	1	p. 5
112728699/0	3	6	p. 3	381003357/0	15	1	p. 5
112728699/0	4	3	p. 19	381004548/0	1	1	p. 3
112728699/0	5	6	p. 3	381005137/0	9	1	p. 3
112728706/0	7	6	p. 15	381005139/0	7	1	p. 3
112735698/0	6	1	p. 17	381006737/0	1	1	p. 9
112760605/0	14	2	p. 9	381006739/1	1	1	p. 11
112818900/0	7	2	p. 9	381006745/1	1	1	p. 11
112819110/0	2	2	p. 9	381007455/1	1	2	p. 15
118203853/0	6	2	p. 7	381007467/1	5	2	p. 15
118390020/0	5	1	p. 11	381008691/0	15	1	p. 9
119216035/0	2	4	p. 15	381030051/0	11	1	p. 11
119216035/0	6	4	p. 15	381302817/0	13	1	p. 5
122033283/0	9	1	p. 13	381302821/0	1	1	p. 5
122041957/1	11	1	p. 13	381486018/0	7	1	p. 19
122110230/0	15	1	p. 13				
122399900/0	4	2	p. 9				
122399900/0	9	2	p. 9				
122430313/0	2	1	p. 11				
122446192/0	16	1	p. 5				
122446193/0	9	1	p. 5				
122450063/0	12	1	p. 13				
122450456/0	7	1	p. 7				
122450464/0	2	1	p. 19				
122465607/3	2	1	p. 17				
122517869/1	8	1	p. 7				
122519820/0	8	2	p. 5				
122534131/0	14	1	p. 5				
122570110/1	3	1	p. 13				
122570120/1	2	1	p. 13				
122601909/0	7	1	p. 13				
122608561/0	8	1	p. 19				