

Parts Catalogue

for model
MP1 504 SVE

- Use GLOBAL GARDEN PRODUCT Genuine Spare Parts specified in the parts list for repair and/or replacement.
- The contents described in the parts list may change due to improvement.
- The drawings of the spare parts are only indicative and might not represent the part in question exactly.
- The indications "right" - "left" - "front" - "rear" refer to the position of the operator when using the machine.
- When placing orders of parts for repair and/or replacement, make sure that the illustrated parts list is the one applying to the machine's year of manufacture, as shown on the identification plate attached to the machine.

© Copyright 2017 Global Garden Products

All content is subject to copyright by Global Garden Products and may not be reproduced in whole or in part by any means, electronic or otherwise, without prior written approval.

THIS INFORMATION IS NOT INTENDED FOR SALE OR RESALE, AND THIS NOTICE MUST REMAIN ON ALL COPIES.



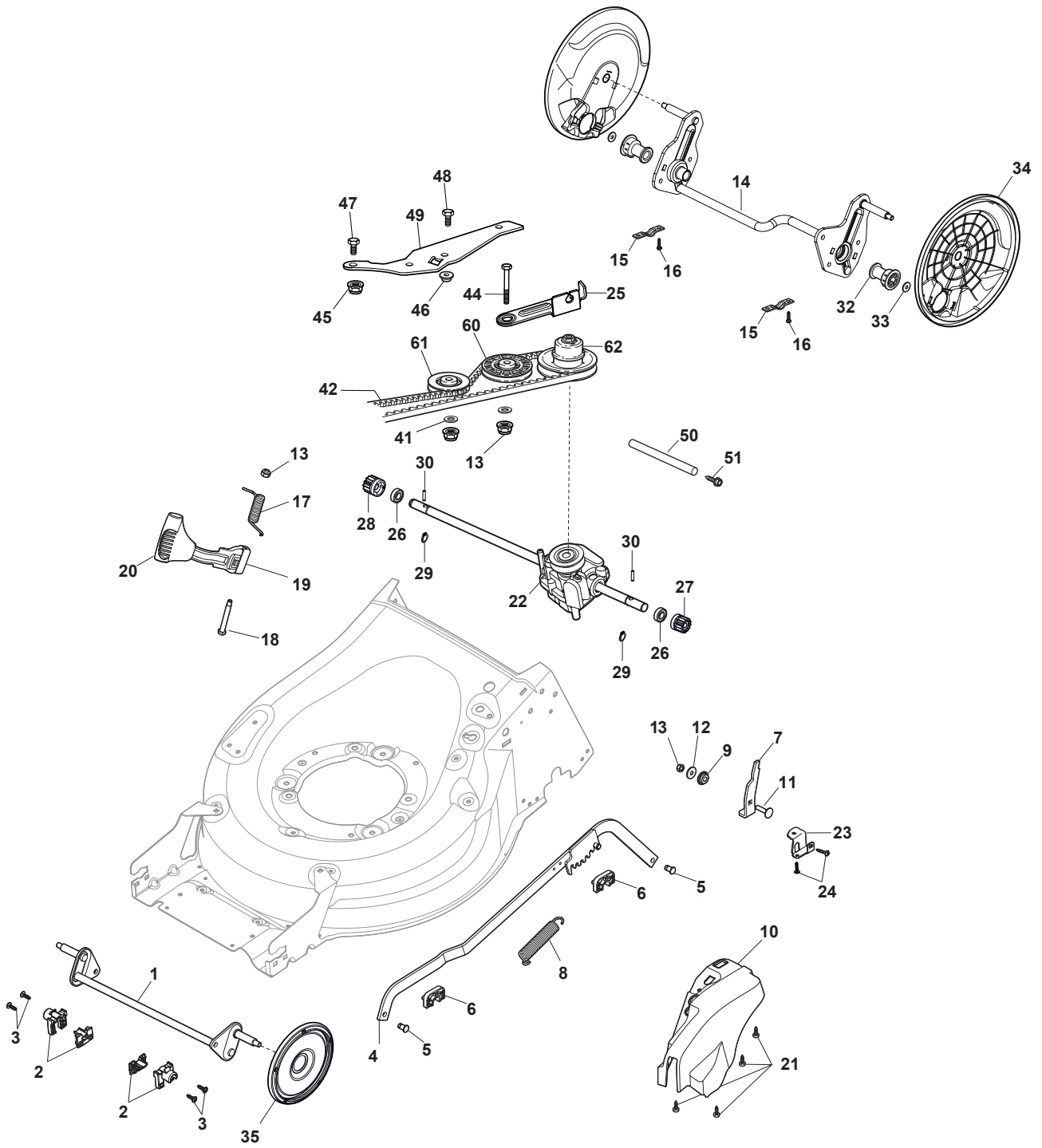
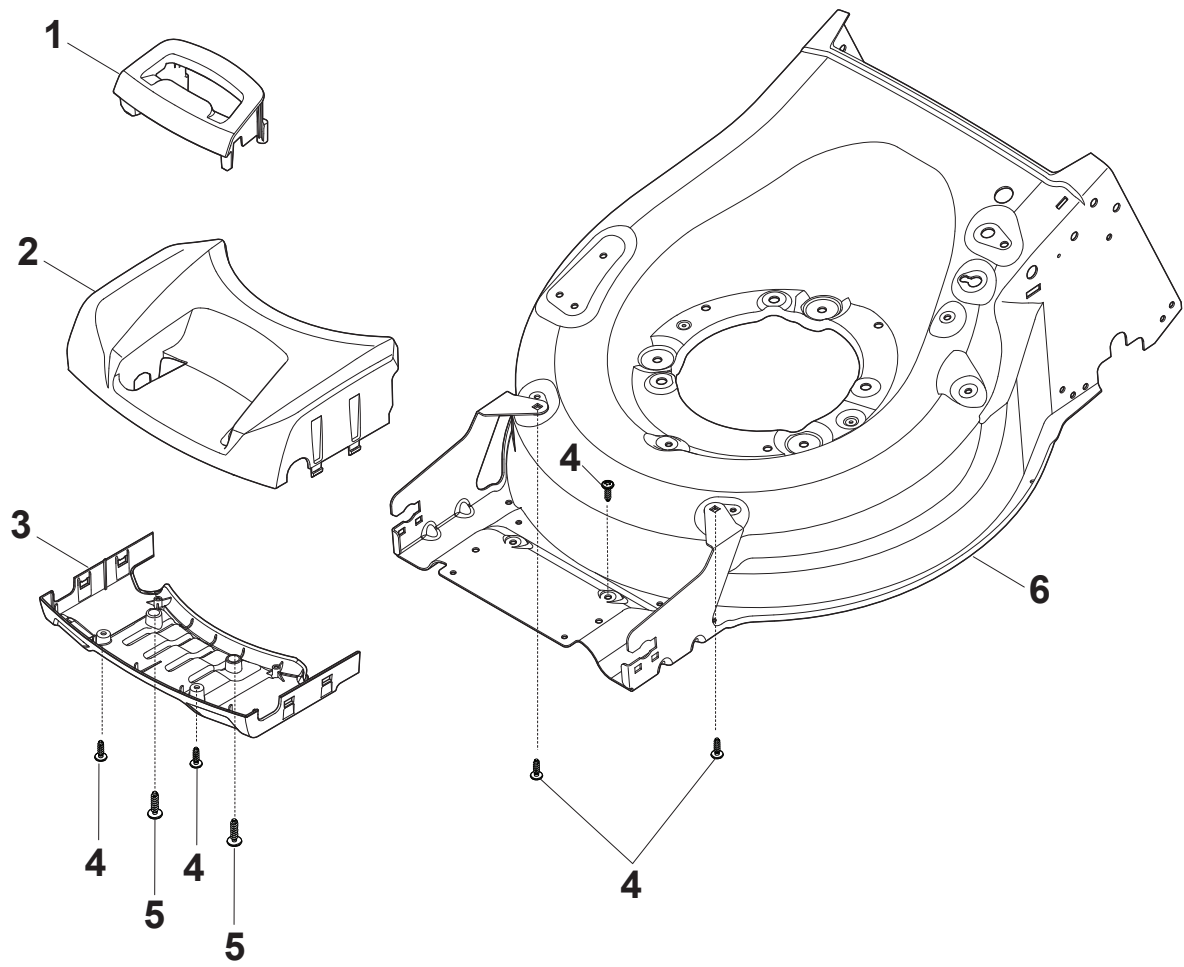


Fig.	Q.ty	Part No	Description	Notes
1	1	381302913/0	Axle	
2	2	322785305/1	Support	
3	4	112728697/0	Screw	
4	1	322869695/0	Wheels Control Rod	
5	2	122519820/0	Pin	
6	2	112436051/0	Plate	
7	1	322778475/0	Bracket	
8	1	122450480/0	Spring	
9	1	122517873/0	Pin	
10	1	322055329/0	Cover	
11	1	112815270/0	Screw	
12	1	112523040/0	Washer	
13	2	112154510/0	Nut	
14	1	381302895/0	Rear Wheel Axle	
15	2	322545152/0	Plate	
16	4	112728697/0	Screw	
17	1	122446192/0	Spring	
18	1	122534131/0	Pin	
19	1	322322855/0	Wheels Adjusting Lever	
20	1	322394506/0	Knob	Standard Black
20	1	322394527/0	Knob	Black with Stiga Logo
21	5	112728699/0	Screw	
22	1	181003125/0	Gear Box	
23	1	322778477/0	Bracket	
24	1	112728704/1	Screw	
25	1	322806647/0	Bracket	
26	2	119216035/0	Bearing	
27	1	122570120/1	Pinion Left	
28	1	122570110/1	Pinion Right	
29	4	112608600/0	Seeger	
30	2	122753000/0	Pin	
32	2	322042066/0	Bushing	
33	2	112521371/0	Washer	
34	2	322600205/1	Protection, Wheel	
35	2	322600247/0	Protection, Wheel	
41	2	112523050/0	Washer	
42	1	135064005/0	Belt	
44	1	112674550/0	Screw	
45	2	112154210/0	Nut	
46	1	122671656/0	Washer	
47	2	112792611/0	Screw	
48	2	112689500/0	Screw	
49	1	322806649/0	Bracket	
50	1	322608567/0	Axle	
51	2	112735120/0	Screw	
60	1	122601914/0	Pulley	
61	1	122601915/0	Pulley	
62	1	122601932/0	Pulley	



MP1 504 SVE

Petrol Lawn Mower **Mask**

Issue 10 - 2017

Fig.	Q.ty	Part No	Description	Notes
1	1	322393741/0	Handle	
2	1	322226214/0	Mask, White	
3	1	322500110/0	Front Combi	
4	6	112728697/0	Screw	
5	2	112728699/0	Screw	
6	1	381004786/0	White Deck	

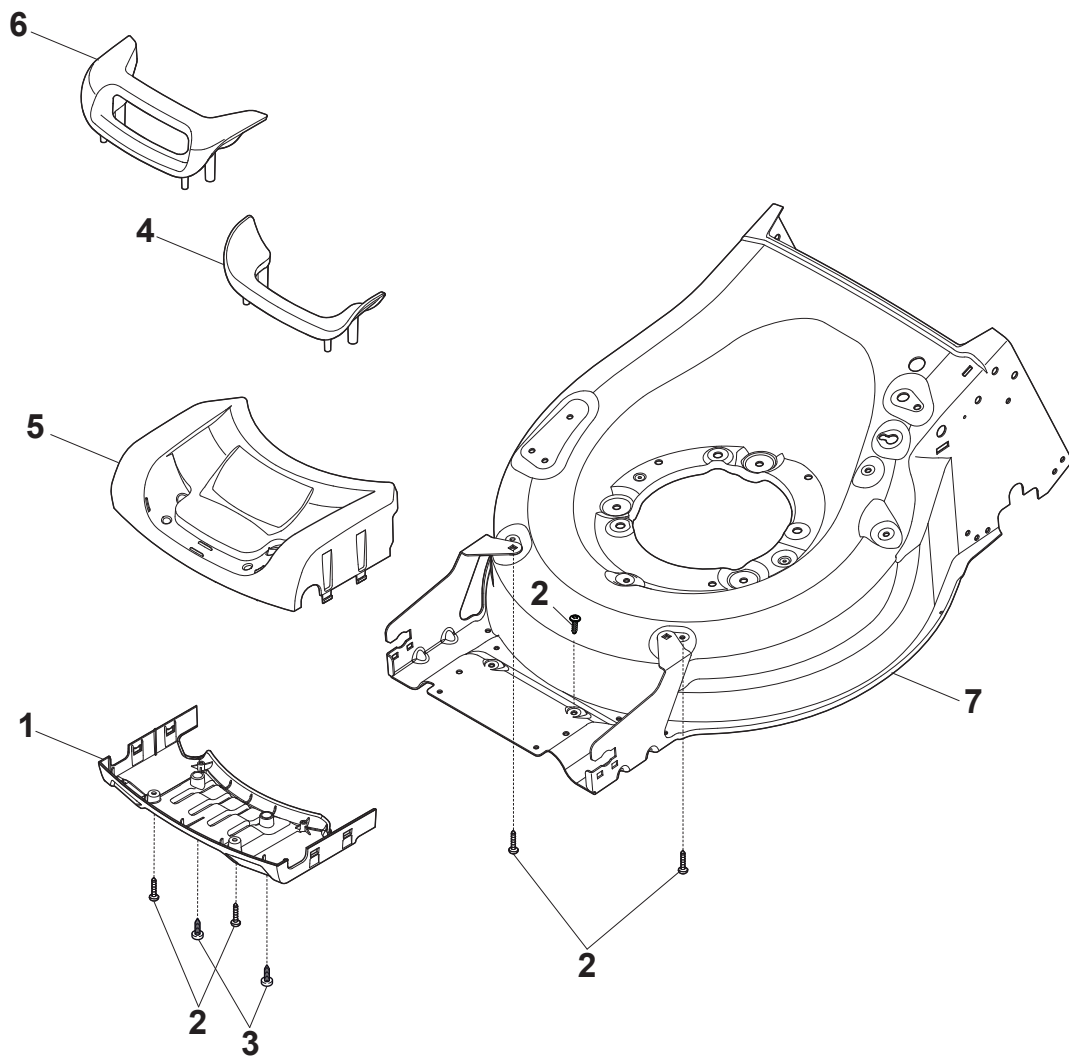


Fig.	Q.ty	Part No	Description	Notes
1	1	322500111/0	Front Combi	
2	6	112728697/0	Screw	
3	2	112728699/0	Screw	
4	1	322055524/0	Insert	
5	1	322226215/0	Mask, Light Red	
5	1	322226229/0	Mask, Black	
5	1	322226243/0	Mask, Dark Red	
6	1	322393742/0	Handle	
7	1	381004792/0	Red Deck	

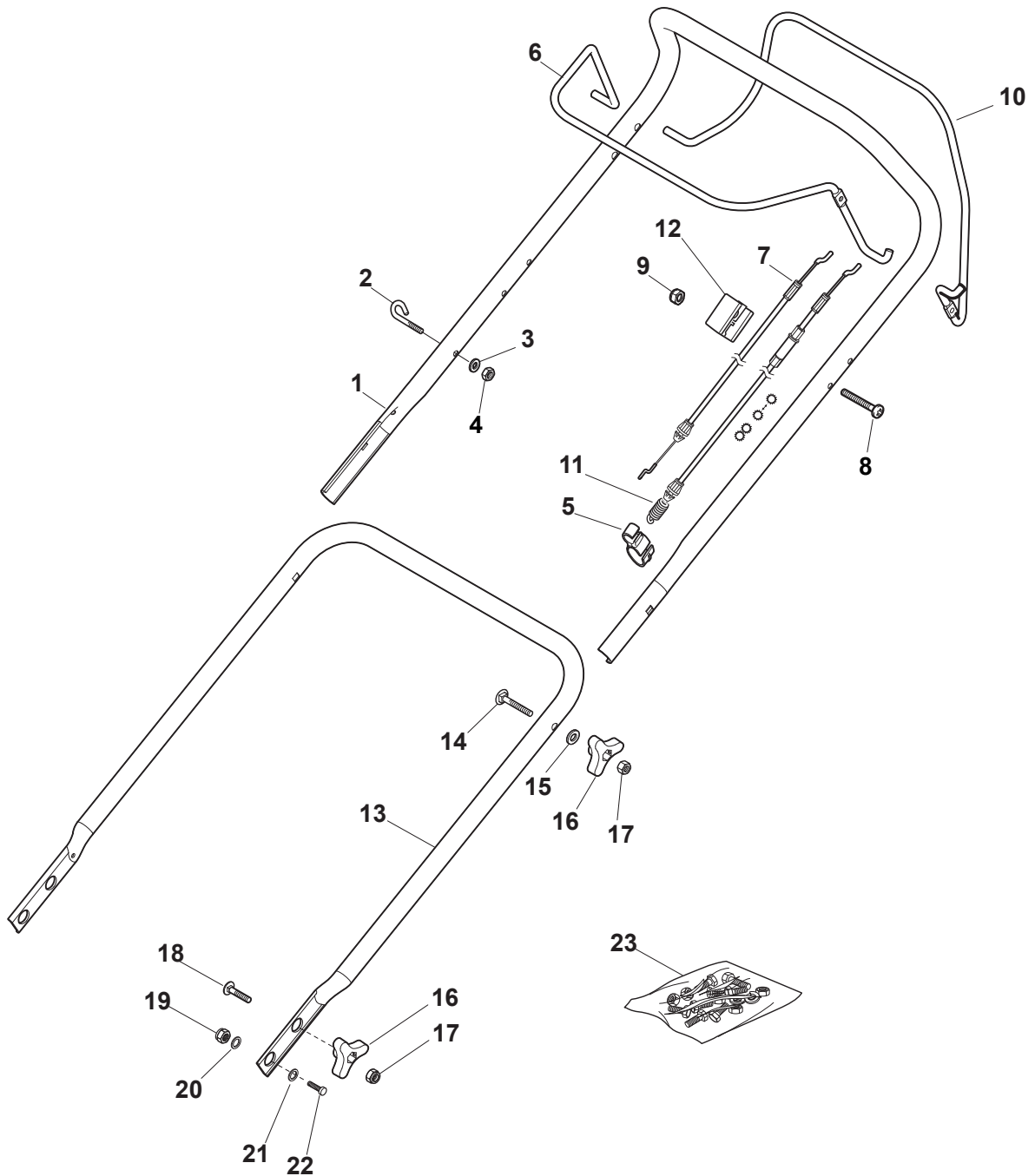


Fig.	Q.ty	Part No	Description	Notes
1	1	381006739/1	Handle, Upper Part	Black without Sponge
1	1	381006745/1	Handle, Upper Part With Sponge Handgrip	Black with Sponge
1	1	381006753/0	Handle, Upper Part Yellow	Yellow without Sponge
1	1	381006754/0	Handle, Upper Part Yellow	Yellow with Sponge
1	1	381006787/0	Handle, Upper Part	Black without Sponge - TRE Models
1	1	381007571/0	Handle, Upper Part	Black with Sponge - Variator
2	1	122430313/0	Guide Spring	
3	1	112521330/0	Washer	
4	1	112154510/0	Nut	
5	1	118390020/0	Conduit Clip	
6	1	181003363/1	Lever, Engine Brake Black	Black
6	1	381003365/0	Lever, Engine Brake Yellow	Yellow
6	1	381003376/0	Lever, Engine Brake Red	Red
7	1	181030053/0	Cable, Thread Engine Brake	For B&S 675 and GGP 160/ES
7	1	181030054/0	Cable, Thread Engine Brake	For WBE 140 Engine
7	1	181030057/0	Cable, Thread Engine Brake	For B&S 675E
7	1	181030070/0	Cable, Thread Engine Brake	For B&S 625E-675EXI-850 Engine
7	1	181030087/0	Cable, Thread Engine Brake	For B&S 750-775 Engine
7	1	181030088/0	Cable, Thread Engine Brake	For B&S 550E-625E-675 Engine
7	1	181030088/0	Cable, Thread Engine Brake	For Honda Engine
8	1	112727783/0	Screw	
9	1	112154510/0	Nut	
10	1	181003364/0	Drive Control Lever	Black
10	1	381003366/0	Lever, Driving Yellow	Yellow
11	1	381030104/0	Clutch Cable	
12	1	322551640/0	Plate	
13	1	381006785/0	Handle Lower Part	Black
13	1	381007538/0	Handle Lower Part	Yellow
14	2	112819110/0	Screw	
15	2	122671651/0	Washer	
16	2	122399900/0	Black Knob	
17	2	112293200/0	Nut	
18	2	112818900/0	Screw	
19	2	112155000/0	Nut	
20	2	112521350/0	Washer	
21	2	112369500/0	Elastic Washer	
22	2	112760605/0	Screw	
23	1	381008730/0	Outfit	Black

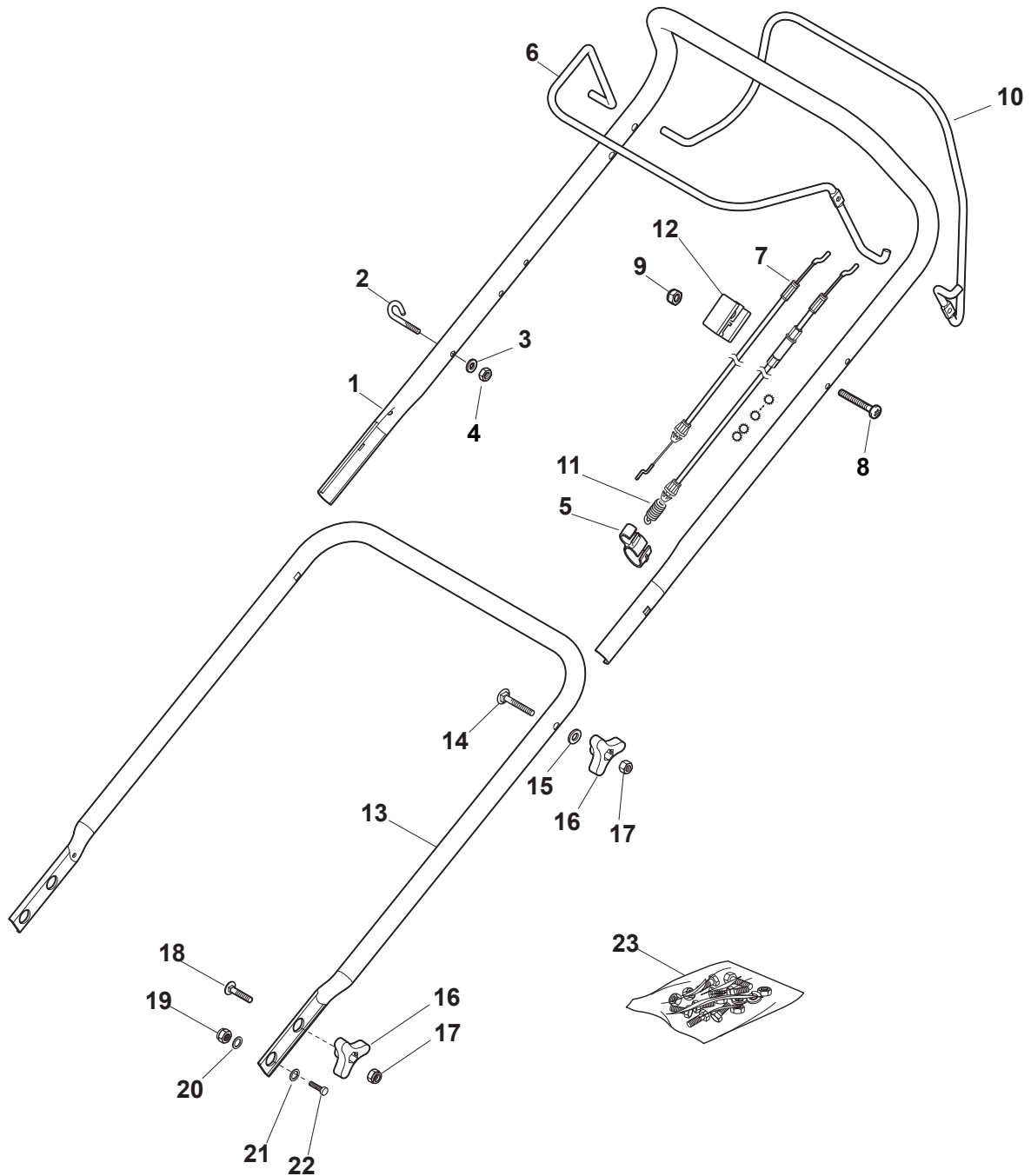


Fig.	Q.ty	Part No	Description	Notes
1	1	381006739/1	Handle, Upper Part	Black without Sponge
1	1	381006745/1	Handle, Upper Part With Sponge Handgrip	Black with Sponge
1	1	381006753/0	Handle, Upper Part Yellow	Yellow without Sponge
1	1	381006754/0	Handle, Upper Part Yellow	Yellow with Sponge
1	1	381007601/0	Handle, Upper Part	Yellow with Sponge - TRE Models
1	1	381006787/0	Handle, Upper Part	Black without Sponge - TRE Models
1	1	381007606/0	Handle, Upper Part	Yellow with Sponge - Variator
1	1	381007571/0	Handle, Upper Part	Black with Sponge - Variator
2	1	122430313/0	Guide Spring	
3	1	112521330/0	Washer	
4	1	112154510/0	Nut	
5	1	118390020/0	Conduit Clip	
6	1	181003363/1	Lever, Engine Brake Black	Black
6	1	381003365/0	Lever, Engine Brake Yellow	Yellow
6	1	381003376/0	Lever, Engine Brake Red	Red
7	1	181030087/0	Cable, Thread Engine Brake	For B&S 775 IS
7	1	181030088/0	Cable, Thread Engine Brake	For B&S 675 IS
8	1	112727783/0	Screw	
9	1	112154510/0	Nut	
10	1	181003364/0	Drive Control Lever	Black
10	1	381003366/0	Lever, Driving Yellow	Yellow
11	1	381030104/0	Clutch Cable	
12	1	322551640/0	Plate	
13	1	381006785/0	Handle Lower Part	Black
13	1	381007538/0	Handle, Lower Part Yellow	Yellow
14	2	112819110/0	Screw	
15	2	122671651/0	Washer	
16	2	122399900/0	Black Knob	
17	2	112293200/0	Nut	
18	2	112818900/0	Screw	
19	2	112155000/0	Nut	
20	2	112521350/0	Washer	
21	2	112369500/0	Elastic Washer	
22	2	112760605/0	Screw	
23	1	381008730/0	Outfit	Black

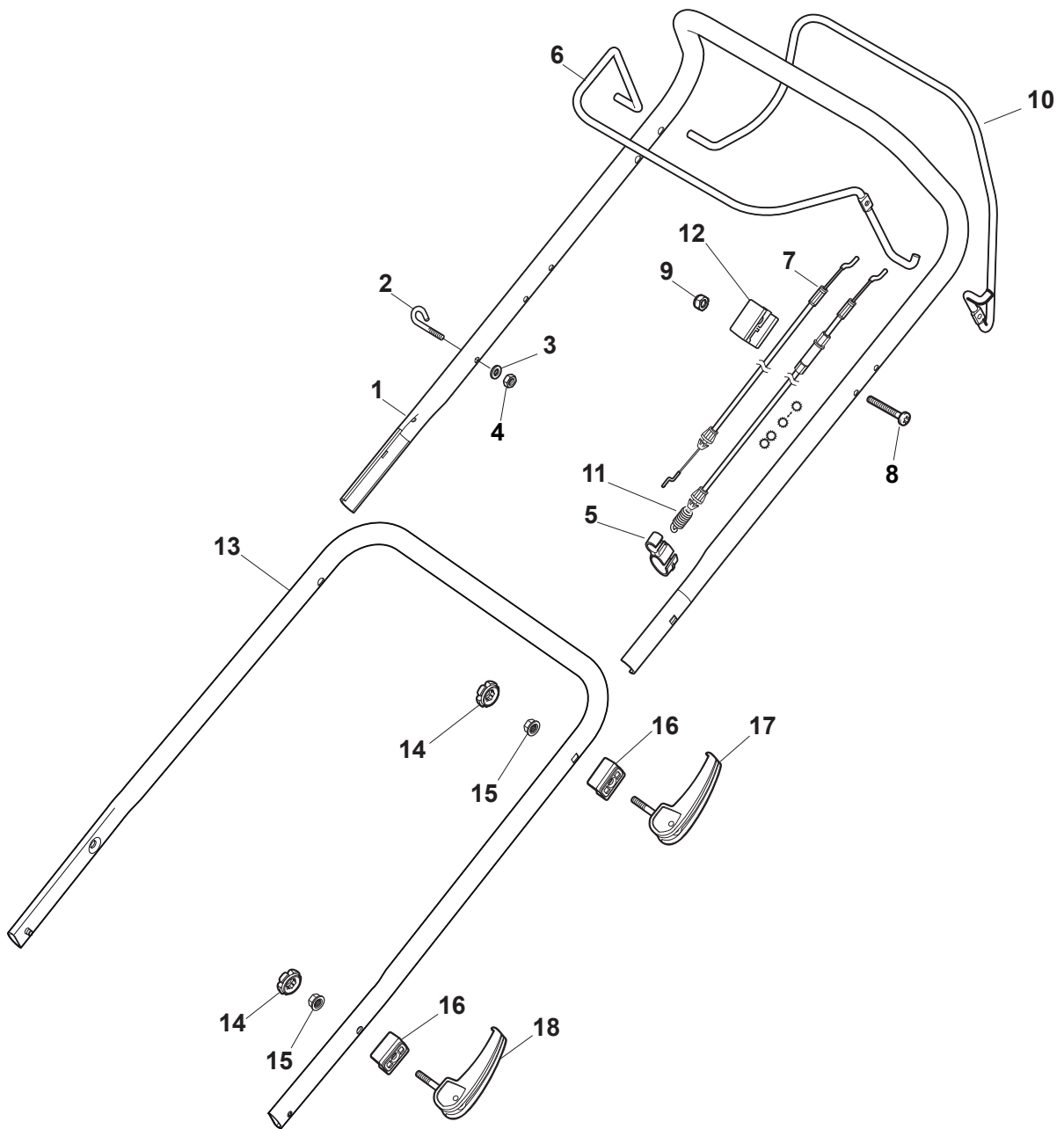


Fig.	Q.ty	Part No	Description	Notes
1	1	381006739/1	Handle, Upper Part	Black without Sponge
1	1	381006745/1	Handle, Upper Part With Sponge Handgrip	Black with Sponge
1	1	381006753/0	Handle, Upper Part Yellow	Yellow without Sponge
1	1	381006754/0	Handle, Upper Part Yellow	Yellow with Sponge
1	1	381006787/0	Handle, Upper Part	Black without Sponge - TRE Models
1	1	381007601/0	Handle, Upper Part	Yellow with Sponge - TRE Models
1	1	381007571/0	Handle, Upper Part	Black with Sponge - Variator
1	1	381007606/0	Handle, Upper Part	Yellow with Sponge - Variator
2	1	122430313/0	Guide Spring	
3	1	112521330/0	Washer	
4	1	112154510/0	Nut	
5	1	118390020/0	Conduit Clip	
6	1	181003363/1	Lever, Engine Brake Black	Black
6	1	381003365/0	Lever, Engine Brake Yellow	Yellow
6	1	381003376/0	Lever, Engine Brake Red	Red
7	1	181030053/0	Cable, Thread Engine Brake	For B&S 750EX Engine
7	1	181030054/0	Cable, Thread Engine Brake	For B&S 675EX - 675EX ES Engine
7	1	181030057/0	Cable, Thread Engine Brake	For B&S 675-750-775 Engine and WBE0702 Engine
7	1	181030105/0	Cable, Thread Engine Brake	For WBE 140 Engine
7	1	181030106/0	Cable, Thread Engine Brake	For B&S 550E-625E-650EXI-675EXI-675IS-850 Engine
7	1	181030106/0	Cable, Thread Engine Brake	For WBE0702 Engine
7	1	181030106/0	Cable, Thread Engine Brake	For Honda Engine
8	1	112727783/0	Screw	
9	1	112154510/0	Nut	
10	1	181003364/0	Drive Control Lever	Black
10	1	381003366/0	Lever, Driving Yellow	Yellow
11	1	381030104/0	Clutch Cable	
12	1	322551640/0	Plate	
13	1	381007563/0	Lower Handle	Black
13	1	381007600/0	Lower Handle	Yellow
14	4	322399835/0	Knob	
15	4	122131750/0	Nut	
16	4	322680016/0	Washer	
17	2	381103350/0	Locking Handle Lever	Black
18	2	381003253/0	Locking Handle Lever	Black

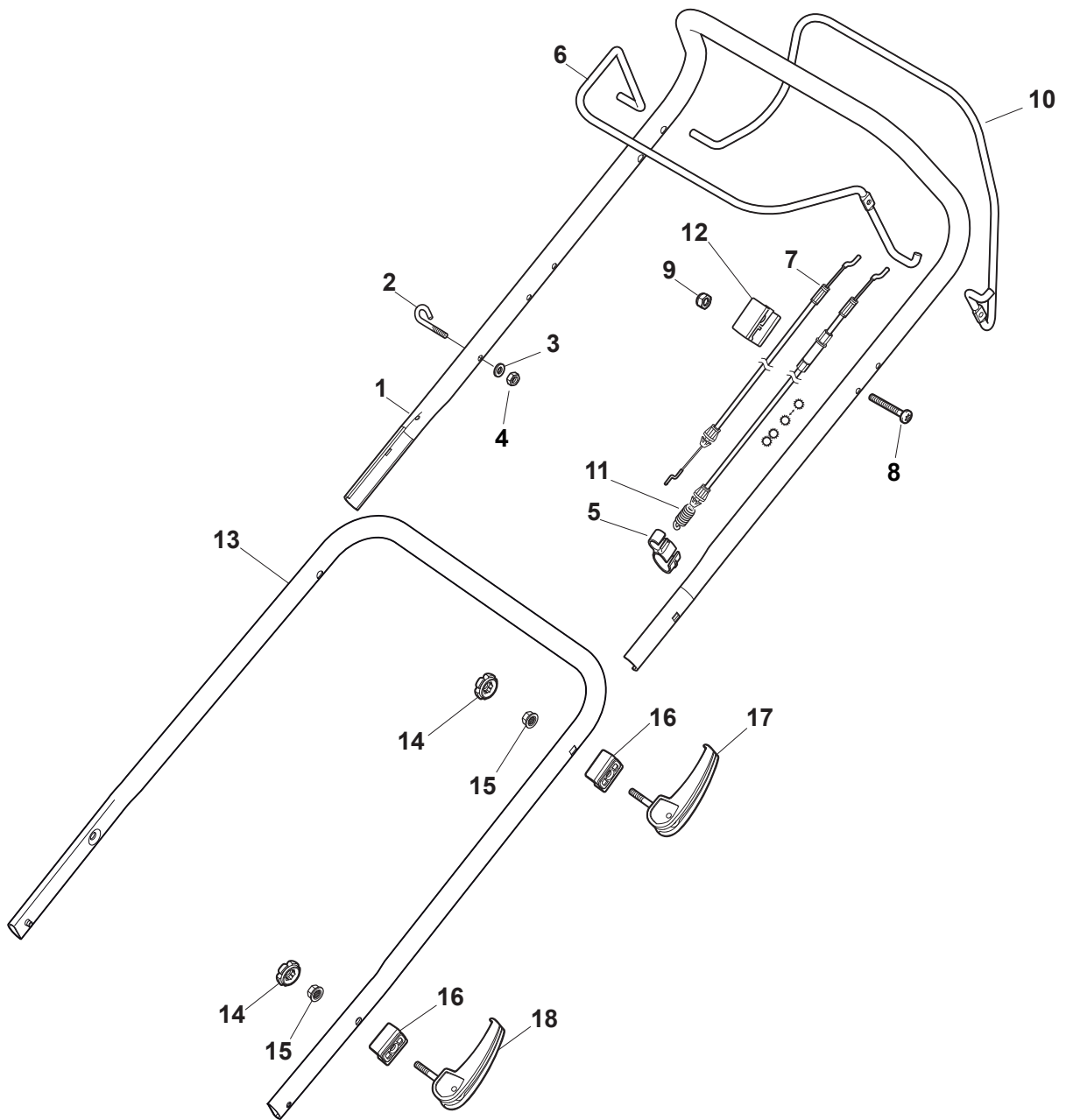


Fig.	Q.ty	Part No	Description	Notes
1	1	381006739/1	Handle, Upper Part	Black without Sponge
1	1	381006745/1	Handle, Upper Part With Sponge Handgrip	Black with Sponge
1	1	381006753/0	Handle, Upper Part Yellow	Yellow without Sponge
1	1	381006754/0	Handle, Upper Part Yellow	Yellow with Sponge
1	1	381006787/0	Handle, Upper Part	Black without Sponge - TRE Models
1	1	381007601/0	Handle, Upper Part	Yellow with Sponge - TRE Models
1	1	381007571/0	Handle, Upper Part	Black with Sponge - Variator
1	1	381007606/0	Handle, Upper Part	Yellow with Sponge - Variator
2	1	122430313/0	Guide Spring	
3	1	112521330/0	Washer	
4	1	112154510/0	Nut	
5	1	118390020/0	Conduit Clip	
6	1	181003363/1	Lever, Engine Brake Black	Black
6	1	381003365/0	Lever, Engine Brake Yellow	Yellow
6	1	381003376/0	Lever, Engine Brake Red	Red
7	1	181030057/0	Cable, Thread Engine Brake	For B&S 775 IS
7	1	181030106/0	Cable, Thread Engine Brake	For B&S 675 IS
8	1	112727783/0	Screw	
9	1	112154510/0	Nut	
10	1	181003364/0	Drive Control Lever	Black
10	1	381003366/0	Lever, Driving Yellow	Yellow
11	1	381030104/0	Clutch Cable	
12	1	322551640/0	Plate	
13	1	381007563/0	Lower Handle	Black
13	1	381007600/0	Lower Handle	Yellow
14	4	322399835/0	Knob	
15	4	122131750/0	Nut	
16	4	322680016/0	Washer	
17	2	381103350/0	Locking Handle Lever	Black
18	2	381003253/0	Locking Handle Lever	Black

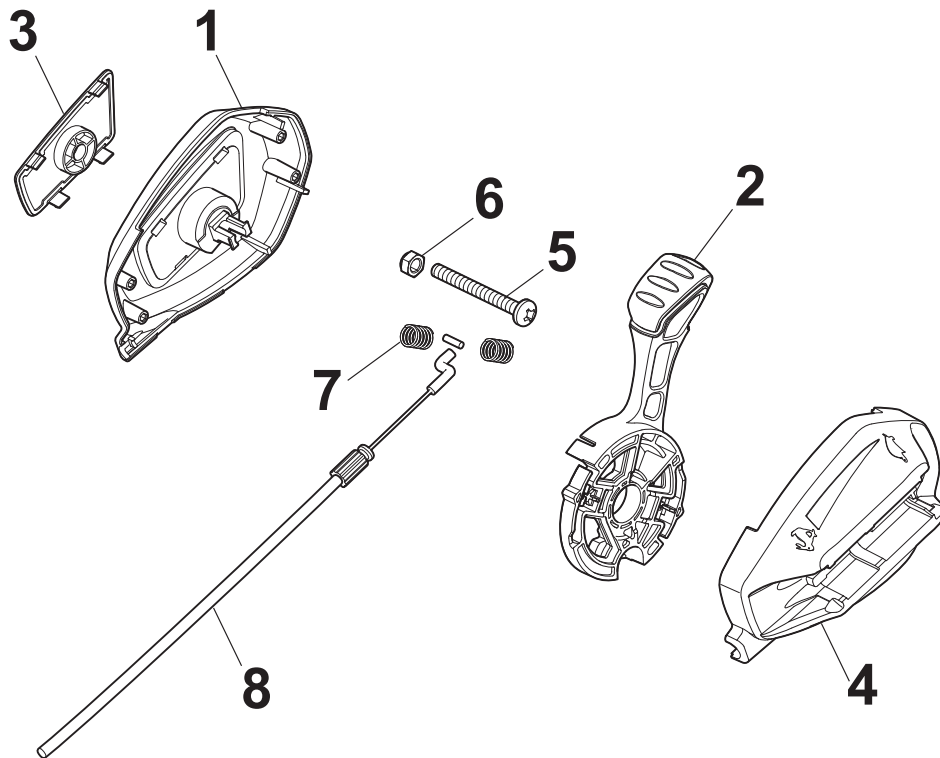


Fig.	Q.ty	Part No	Description	Notes
1	1	322722817/0	External Protection	
2	1	381007227/0	Variator Lever Assy	
3	1	322820086/0	Cap	
4	1	322722816/0	Internal Protection	for ERGO handles
4	1	322722818/0	Internal Protection	for PRO handles
5	1	112727788/0	Screw	
6	1	112154510/0	Nut	
7	2	122450487/0	Spring	
8	1	381030117/0	Variator Cable	

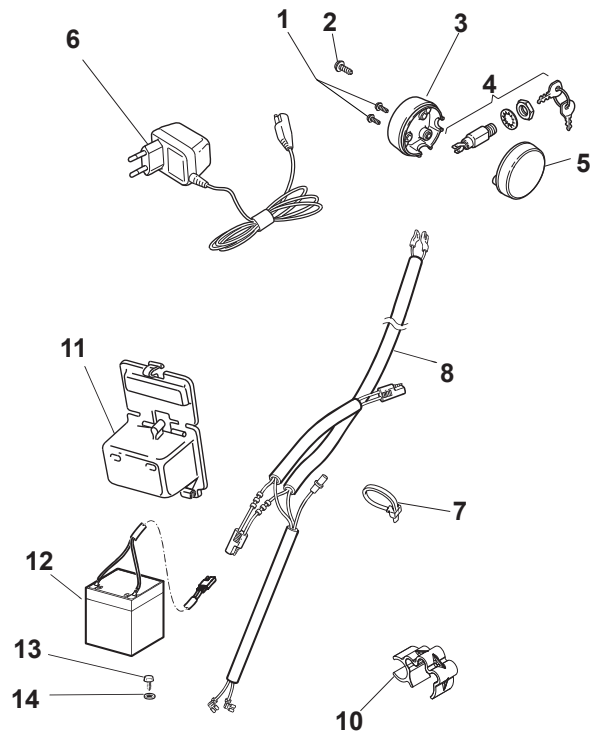


Fig.	Q.ty	Part No	Description	Notes
1	2	112728702/0	Screw	
2	1	112728691/0	Screw	
3	1	322722801/0	Starting Block Outer Half-Bearing	
4	1	118450051/0	Switch	
5	1	322722800/0	Starting Block Inner Half-Bearing	
6	1	118204120/1LC	Battery Charger	CE plug
6	1	118204121/1LC	Battery Charger	Uk plug
6	1	118204136/0	Battery Charger	CE plugg with B&S IS
6	1	118204137/0	Battery Charger	UK plugg with B&S IS
7	1	133320022/0	Fastpoint Clamp Art.0384.Aa01	
8	1	118204196/0	Cable, Start	
10	1	118390021/0	Conduit Clip	
11	1	322109533/0	Battery Holder	
12	1	118120052/0	Battery	
13	1	112728706/0	Screw	
14	1	325160039/0	Spacer	

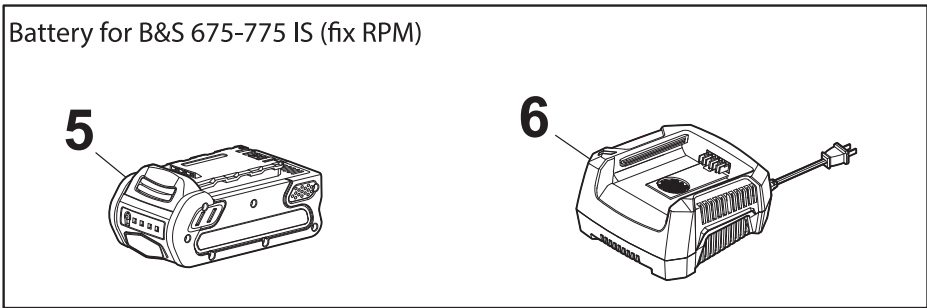
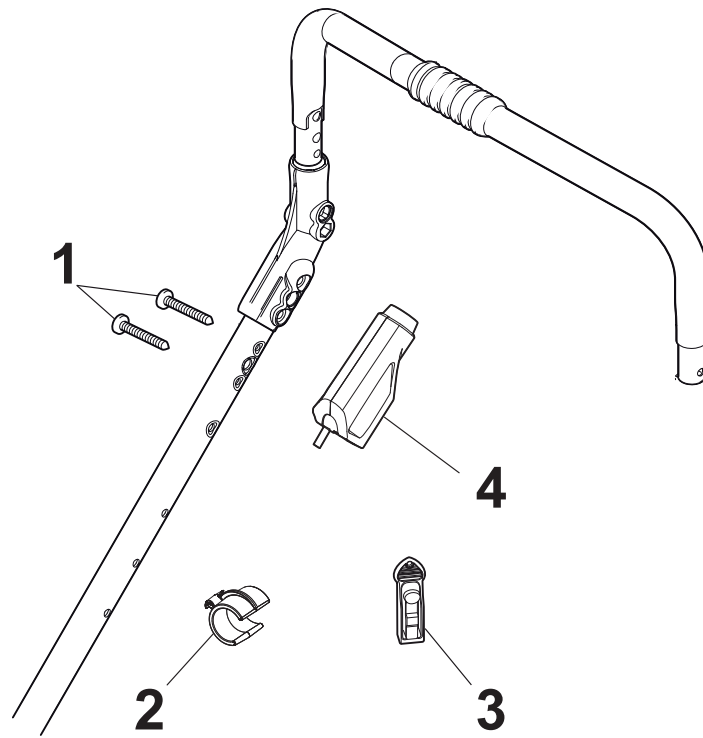
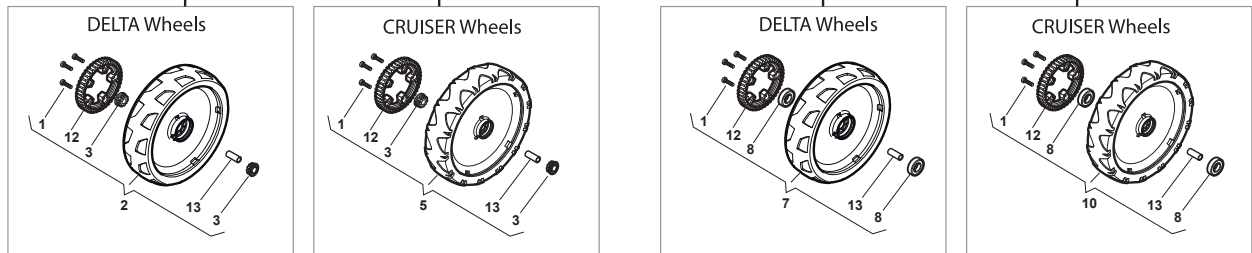
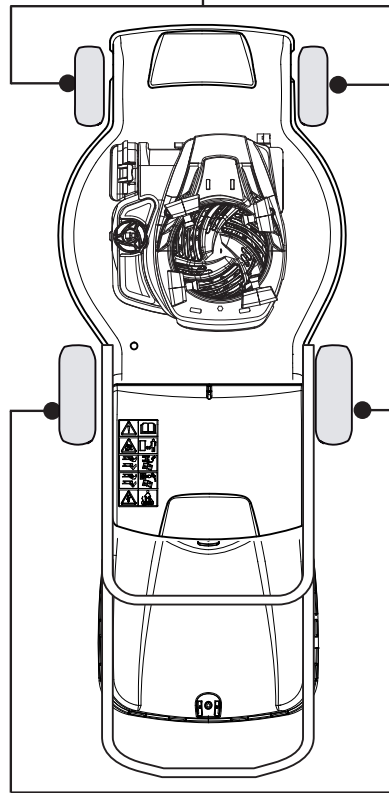
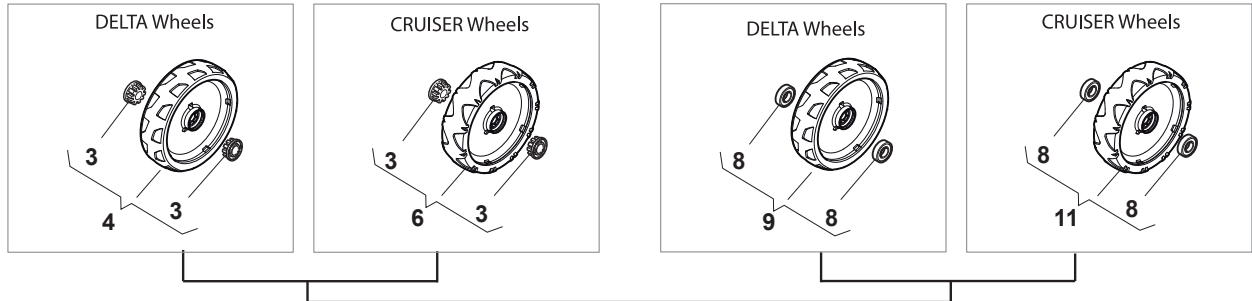


Fig.	Q.ty	Part No	Description	Notes
1	1	112728702/0	Screw	without Varietor
1	1	112728300/0	Screw	with Varietor
2	1	133320022/0	Fastpoint Clamp Art.0384.Aa01	
3	1	322076570/1	Battery Safety Key	
4	1	381600400/0	Switch	Cable Lenght L= 1120
4	1	381600401/0	Switch	Cable Lenght L= 920
5	1	118120061/0	Battery	
6	1	118204136/0	Battery Charger	CE plugg
6	1	118204137/0	Battery Charger	UK plugg

Bushing - Ø180

Ball Bearing - Ø180

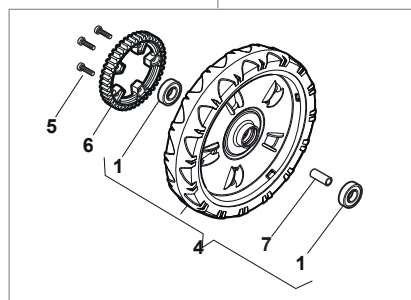
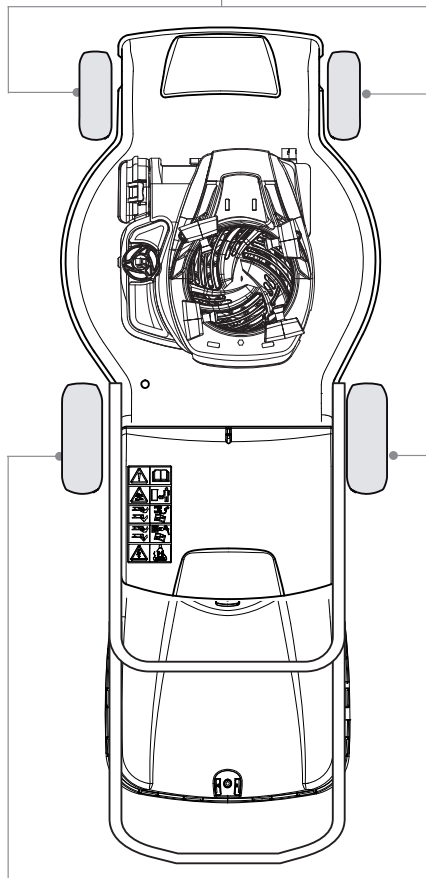
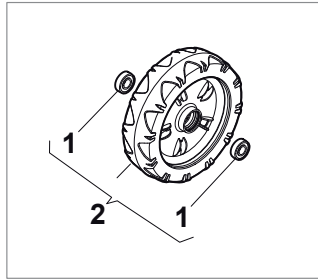


Bushing - Ø240

Ball Bearing - Ø240

Fig.	Q.ty	Part No	Description	Notes
1	6	112728706/0	Screw	
2	2	381007462/1	Wheel	
3	8	322042064/0	Bushing	
4	2	381007442/1	Wheel - Short Hub	
5	2	381007466/1	Wheel	
6	2	381007445/1	Wheel - Short Hub	
7	2	381007463/1	Wheel	
8	8	119216035/0	Bearing	
9	2	381007448/1	Wheel - Short Hub	
10	2	381007467/1	Wheel	
11	2	381007455/1	Wheel - Short Hub	
12	2	322120117/0	Wheels Crown Ø240	
13	2	122170848/0	Spacer	

Ball Bearing Ø200 - Wheels NTD



Ball Bearing Ø280 - Wheels NTD

Fig.	Q.ty	Part No	Description	Notes
1	8	119216035/0	Bearing	
2	4	381007416/2	Wheel	
4	2	381007417/2	Wheel	
5	6	112728706/0	Screw	
6	2	322120115/0	Wheels Crown	
7	2	122170845/0	Spacer	

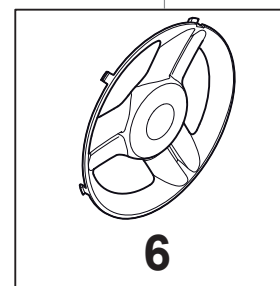
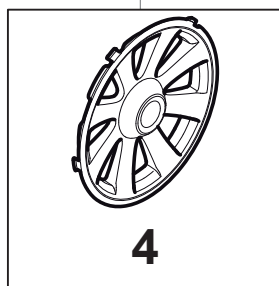
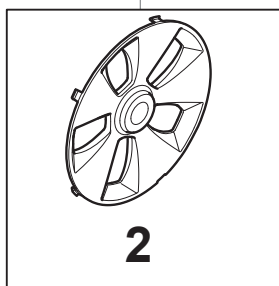
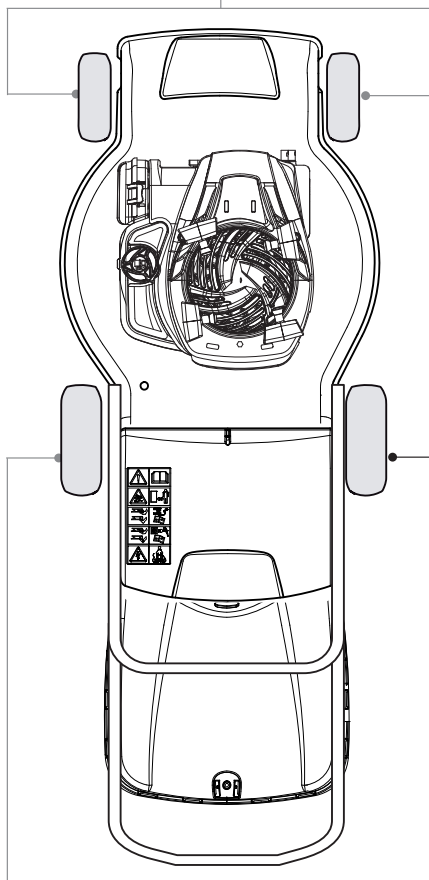
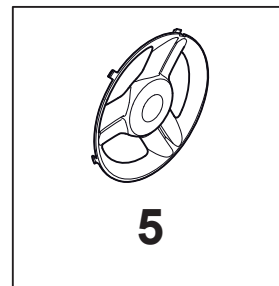
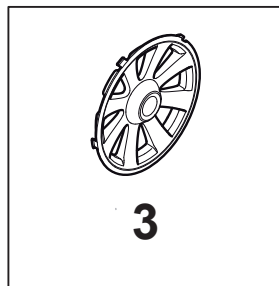
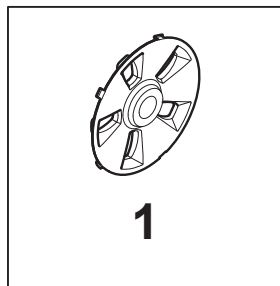


Fig.	Q.ty	Part No	Description	Notes
1	2	322110643/0	Hub Cap Grey	
2	2	322110644/0	Hub Cap Grey	
3	2	322110645/0	Hub Cap Grey	
4	2	322110646/0	Hub Cap Grey	
5	2	322110687/0	Hub Cap Grey	
6	2	322110689/0	Hub Cap Grey	

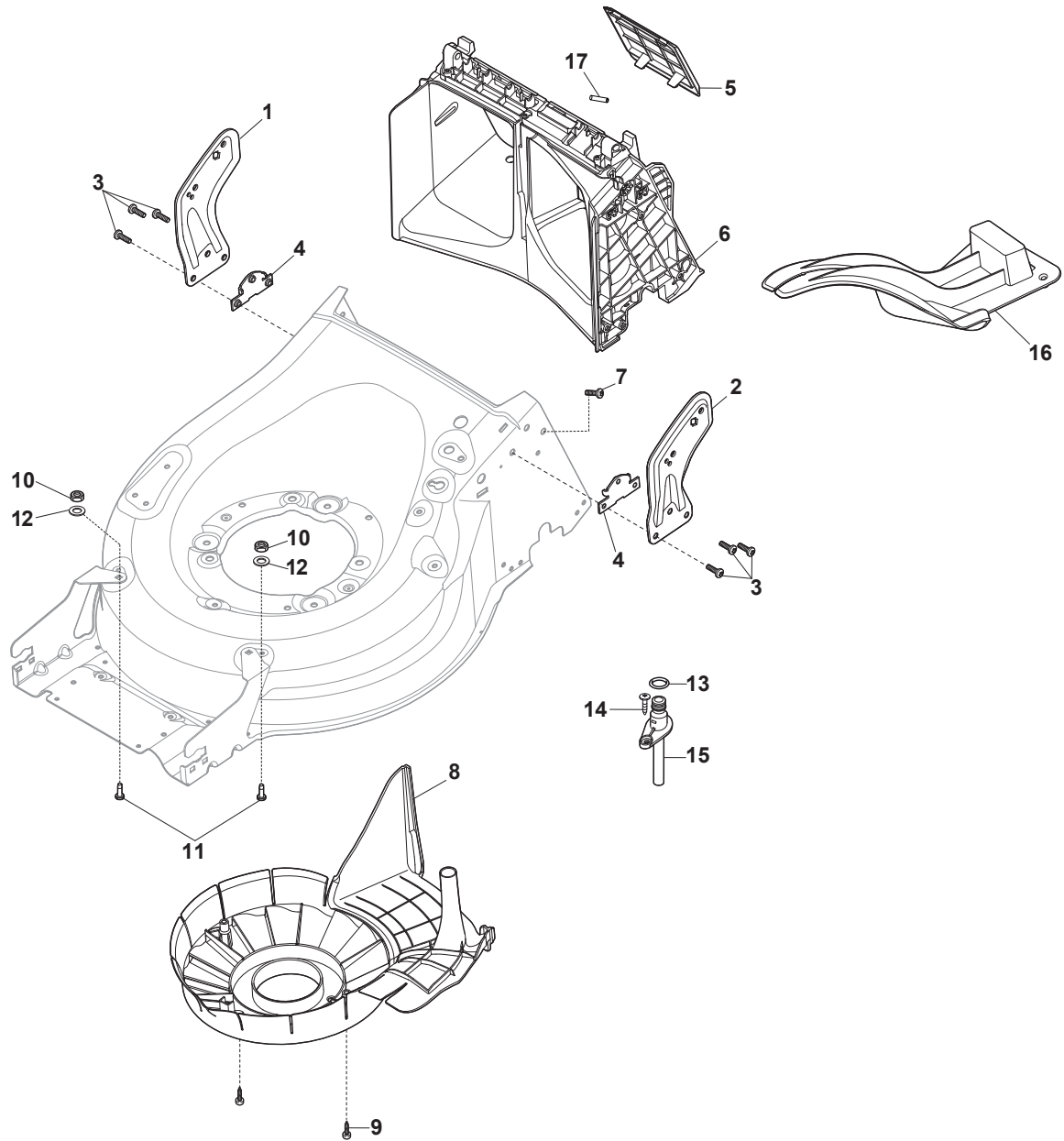


Fig.	Q.ty	Part No	Description	Notes
1	1	381005195/0	Bracket-Rh	Black
1	1	381005235/0	Bracket-Rh	Grey
2	1	381005197/0	Bracket-Lh	Black
2	1	381005237/0	Bracket-Lh	Grey
3	6	112727801/0	Screw	
4	2	322545213/0	Plate	
5	1	322600310/0	Rear Door	Not for TR/E models
6	1	322108316/0	Conveyor	
7	6	112728699/0	Screw	
8	1	322060270/1	Carter Mulching	
9	2	112735645/0	Screw	
10	2	112154510/0	Nut	
11	2	112815205/0	Screw	
12	2	112521330/0	Washer	
13	1	119035000/0	Or Ring	
14	1	112728697/0	Screw	
15	1	322034002/0	Washing Connection	
16	1	322140245/0	Deflector	
17	1	112645708/0	Pin	

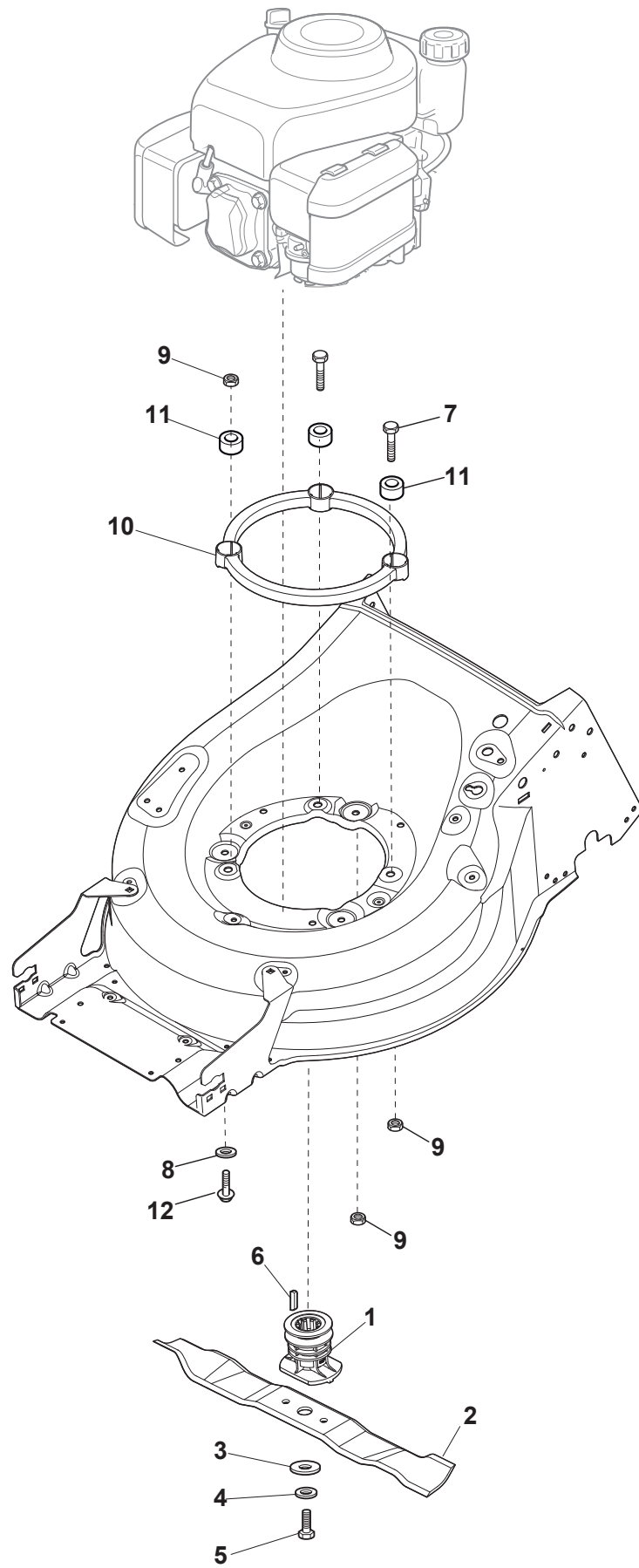


Fig.	Q.ty	Part No	Description	Notes
1	1	122465607/3	Hub With Pulley, Crankshaft Ø 22.2	for GGP and B&S Engines
1	1	122465638/1	Hub With Pulley, Crankshaft Ø 22.2	for B&S 675E-750-850 Engines
2	1	181004366/2	Blade	
3	1	122160400/0	Elastic Disc	
4	1	322680021/0	Washer	
5	1	112735698/0	Screw	
6	1	112139100/0	Feather, Crankshaft Ø 22,2	
7	2	112691700/0	Screw	for B&S 675EX-750EX (MP1 504) and 850E
7	3	112692050/0	Screw	for B&S 750EX (MP1 554)
8	1	112521350/0	Washer	
9	3	112154210/0	Nut	
10	1	322170964/0	Protection	
11	3	122170835/0	Spacer	
12	1	112691700/0	Screw	for B&S 750EX Engines
12	1	112692050/0	Screw	for B&S 675EX-675E-850E Engines

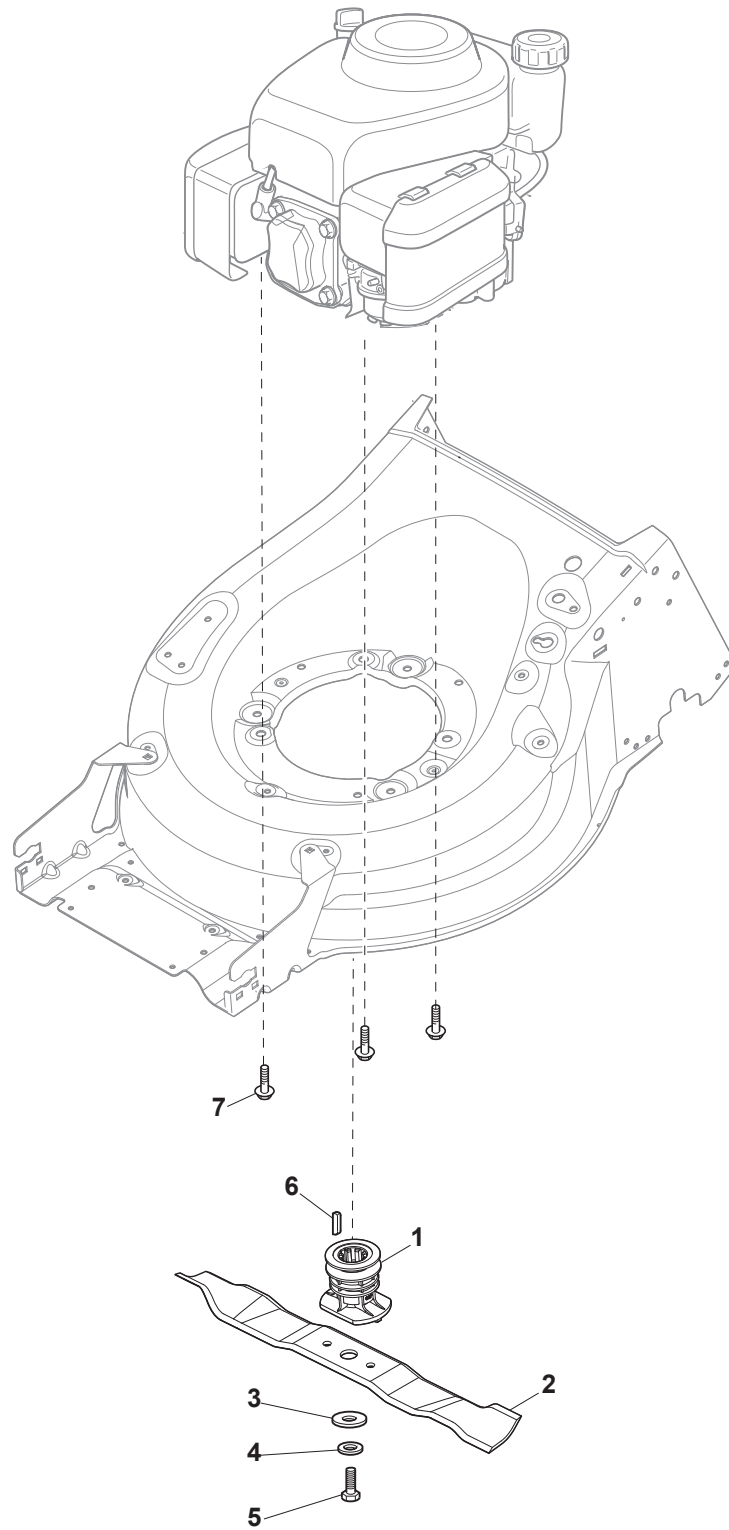


Fig.	Q.ty	Part No	Description	Notes
1	1	122465607/3	Hub With Pulley, Crankshaft Ø 22.2	for GGP and B&S Engines
1	1	122465608/2	Hub With Pulley, Crankshaft Ø 25	for HONDA Engines
1	1	122465638/1	Hub With Pulley, Crankshaft Ø 22.2	for B&S 675E-750-850 Engines
2	1	181004366/2	Blade	
3	1	122160400/0	Elastic Disc	
4	1	322680021/0	Washer	
5	1	112735698/0	Screw	for GGP-B&S-HONDA Engines
5	1	112736815/0	Screw	for B&S 675E-750-850 Engines
6	1	112139100/0	Feather, Crankshaft Ø 22,2	for GGP and B&S Engines
6	1	112139150/0	Feather, Crankshaft Ø 25	for HONDA Engines
7	3	112735108/1	Screw	for GGP-B&S-HONDA Engines
7	3	112735109/2	Screw	for GGP 100 Engine

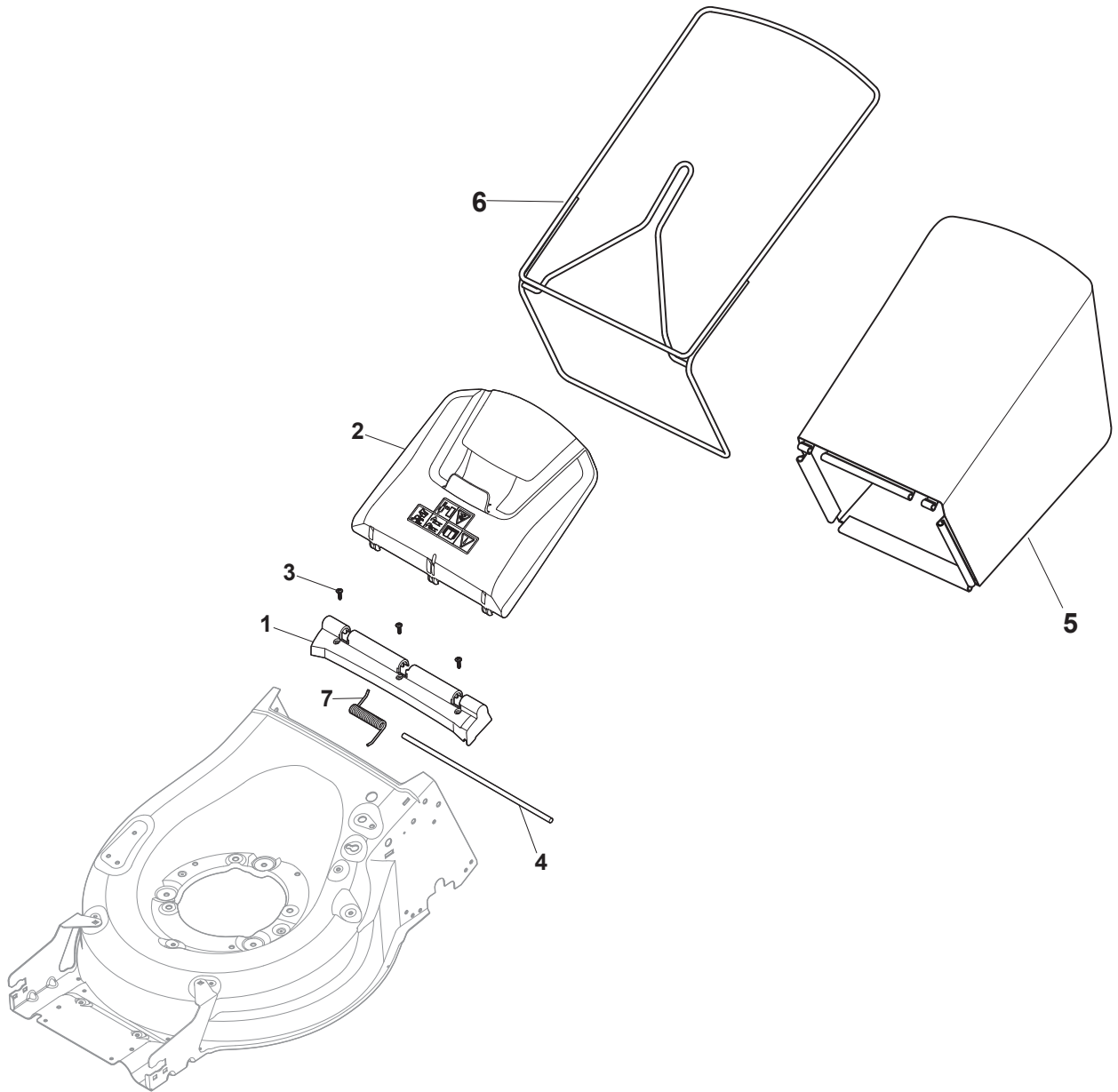


Fig.	Q.ty	Part No	Description	Notes
1	1	322109569/0	Black Stone Guard Support	Black
1	1	322109584/0	Yellow Stone Guard Support	Yellow
2	1	322600308/0	Stone Guard, Black	Black
2	1	322600312/0	Stone Guard, White	Yellow
3	3	112728697/0	Screw	
4	1	122517884/0	Pin	
5	1	181102350/0	Cancas Grasscatcher	
6	1	181006410/0	Fabric Box Frame	
7	1	122450479/0	Spring	

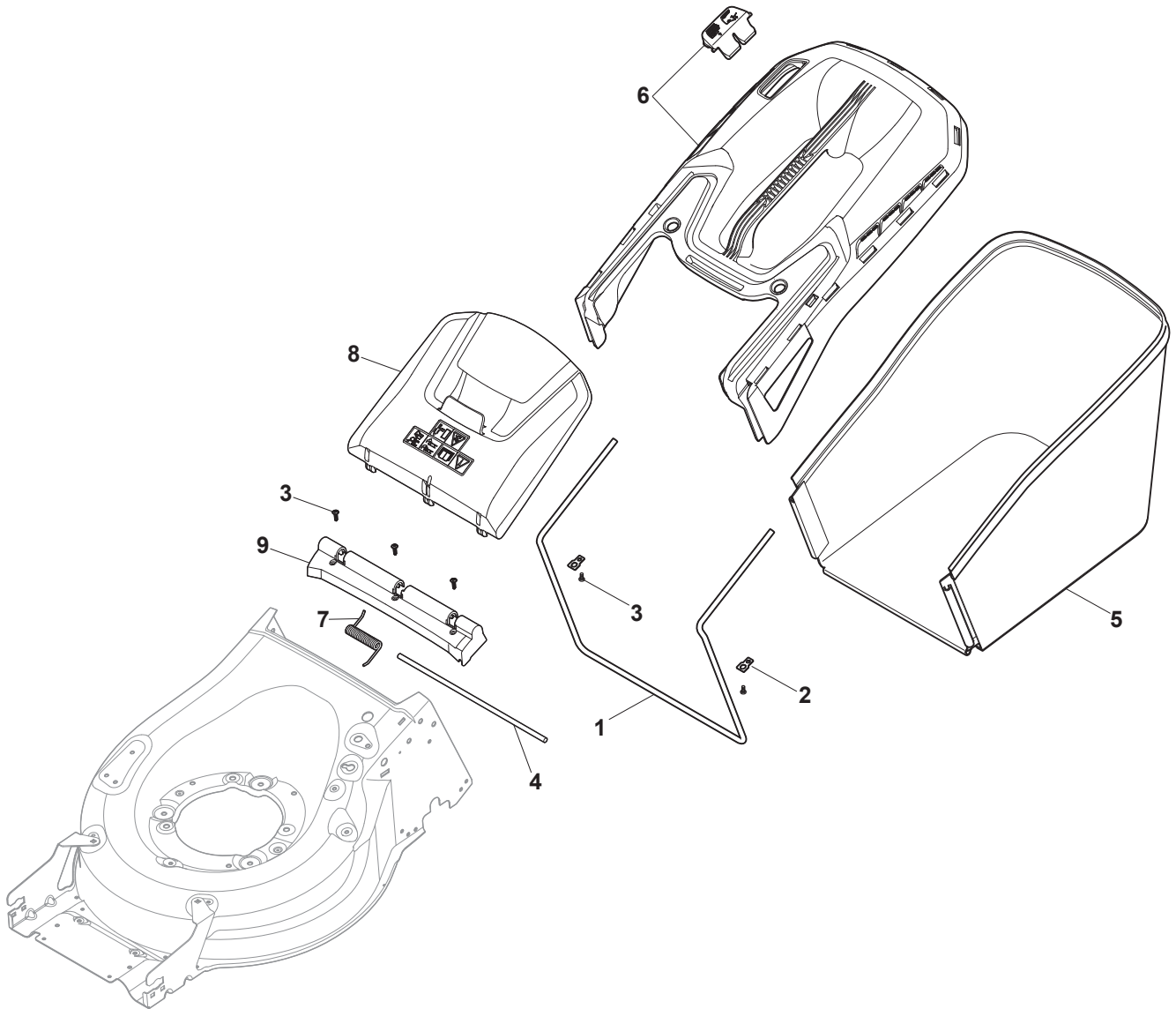


Fig.	Q.ty	Part No	Description	Notes
1	1	181006411/0	Fabric Box Frame	
2	2	322557177/0	Plate	
3	5	112728697/0	Screw	
4	1	122517884/0	Pin	
5	1	181102349/0	Cancas Grasscatcher	
6	1	381486039/0	Box, Upper Side Black	with Red Indicator
7	1	122450479/0	Spring	
8	1	322600308/0	Stone Guard, Black	Black
8	1	322600312/0	Stone Guard, White	White
8	1	322600339/0	Stone Guard, Yellow	Yellow
9	1	322109569/0	Black Stone Guard Support	Black
9	1	322109584/0	Yellow Stone Guard Support	Yellow

code	pos.	q.ty	page				
322140245/0	16	1	p. 29	381005195/0	1	1	p. 29
322170964/0	10	1	p. 31	381005197/0	2	1	p. 29
322226214/0	2	1	p. 5	381005235/0	1	1	p. 29
322226215/0	5	1	p. 7	381005237/0	2	1	p. 29
322226229/0	5	1	p. 7	381006739/1	1	1	p. 9
322226243/0	5	1	p. 7	381006739/1	1	1	p. 11
322322855/0	19	1	p. 3	381006739/1	1	1	p. 13
322393741/0	1	1	p. 5	381006739/1	1	1	p. 15
322393742/0	6	1	p. 7	381006745/1	1	1	p. 9
322394506/0	20	1	p. 3	381006745/1	1	1	p. 11
322394527/0	20	1	p. 3	381006745/1	1	1	p. 13
322399835/0	14	4	p. 13	381006745/1	1	1	p. 15
322399835/0	14	4	p. 15	381006753/0	1	1	p. 9
322500110/0	3	1	p. 5	381006753/0	1	1	p. 11
322500111/0	1	1	p. 7	381006753/0	1	1	p. 13
322545152/0	15	2	p. 3	381006753/0	1	1	p. 15
322545213/0	4	2	p. 29	381006754/0	1	1	p. 9
322551640/0	12	1	p. 9	381006754/0	1	1	p. 11
322551640/0	12	1	p. 11	381006754/0	1	1	p. 13
322551640/0	12	1	p. 13	381006754/0	1	1	p. 15
322551640/0	12	1	p. 15	381006785/0	13	1	p. 9
322557177/0	2	2	p. 37	381006785/0	13	1	p. 11
322600205/1	34	2	p. 3	381006787/0	1	1	p. 9
322600247/0	35	2	p. 3	381006787/0	1	1	p. 11
322600308/0	2	1	p. 35	381006787/0	1	1	p. 13
322600308/0	8	1	p. 37	381006787/0	1	1	p. 15
322600310/0	5	1	p. 29	381007227/0	2	1	p. 17
322600312/0	2	1	p. 35	381007416/2	2	4	p. 25
322600312/0	8	1	p. 37	381007417/2	4	2	p. 25
322600339/0	8	1	p. 37	381007442/1	4	2	p. 23
322608567/0	50	1	p. 3	381007445/1	6	2	p. 23
322680016/0	16	4	p. 13	381007448/1	9	2	p. 23
322680016/0	16	4	p. 15	381007455/1	11	2	p. 23
322680021/0	4	1	p. 31	381007462/1	2	2	p. 23
322680021/0	4	1	p. 33	381007463/1	7	2	p. 23
322722800/0	5	1	p. 19	381007466/1	5	2	p. 23
322722801/0	3	1	p. 19	381007467/1	10	2	p. 23
322722816/0	4	1	p. 17	381007538/0	13	1	p. 11
322722817/0	1	1	p. 17	381007563/0	13	1	p. 13
322722818/0	4	1	p. 17	381007563/0	13	1	p. 15
322778475/0	7	1	p. 3	381007571/0	1	1	p. 9
322778477/0	23	1	p. 3	381007571/0	1	1	p. 11
322785305/1	2	2	p. 3	381007571/0	1	1	p. 13
322806647/0	25	1	p. 3	381007571/0	1	1	p. 15
322806649/0	49	1	p. 3	381007600/0	13	1	p. 13
322820086/0	3	1	p. 17	381007600/0	13	1	p. 15
322869695/0	4	1	p. 3	381007601/0	1	1	p. 11
325160039/0	14	1	p. 19	381007601/0	1	1	p. 13
381003253/0	18	2	p. 13	381007601/0	1	1	p. 15
381003253/0	18	2	p. 15	381007606/0	1	1	p. 11
381003365/0	6	1	p. 9	381007606/0	1	1	p. 13
381003365/0	6	1	p. 11	381007606/0	1	1	p. 15
381003365/0	6	1	p. 13	381008730/0	23	1	p. 9
381003365/0	6	1	p. 15	381008730/0	23	1	p. 11
381003366/0	10	1	p. 9	381030104/0	11	1	p. 9
381003366/0	10	1	p. 11	381030104/0	11	1	p. 11
381003366/0	10	1	p. 13	381030104/0	11	1	p. 13
381003366/0	10	1	p. 15	381030104/0	11	1	p. 15
381003376/0	6	1	p. 9	381030117/0	8	1	p. 17
381003376/0	6	1	p. 11	381103350/0	17	2	p. 13
381003376/0	6	1	p. 13	381103350/0	17	2	p. 15
381003376/0	6	1	p. 15	381302895/0	14	1	p. 3
381004786/0	6	1	p. 5	381302913/0	1	1	p. 3
381004792/0	7	1	p. 7	381486039/0	6	1	p. 37
				381600400/0	4	1	p. 21
				381600401/0	4	1	p. 21