

Parts Catalogue

for model
MP1 554 WSQ - B

- Use GLOBAL GARDEN PRODUCT Genuine Spare Parts specified in the parts list for repair and/or replacement.
- The contents described in the parts list may change due to improvement.
- The drawings of the spare parts are only indicative and might not represent the part in question exactly.
- The indications "right" - "left" - "front" - "rear" refer to the position of the operator when using the machine.
- When placing orders of parts for repair and/or replacement, make sure that the illustrated parts list is the one applying to the machine's year of manufacture, as shown on the identification plate attached to the machine.

© Copyright 2017 Global Garden Products

All content is subject to copyright by Global Garden Products and may not be reproduced in whole or in part by any means, electronic or otherwise, without prior written approval.

THIS INFORMATION IS NOT INTENDED FOR SALE OR RESALE, AND THIS NOTICE MUST REMAIN ON ALL COPIES.



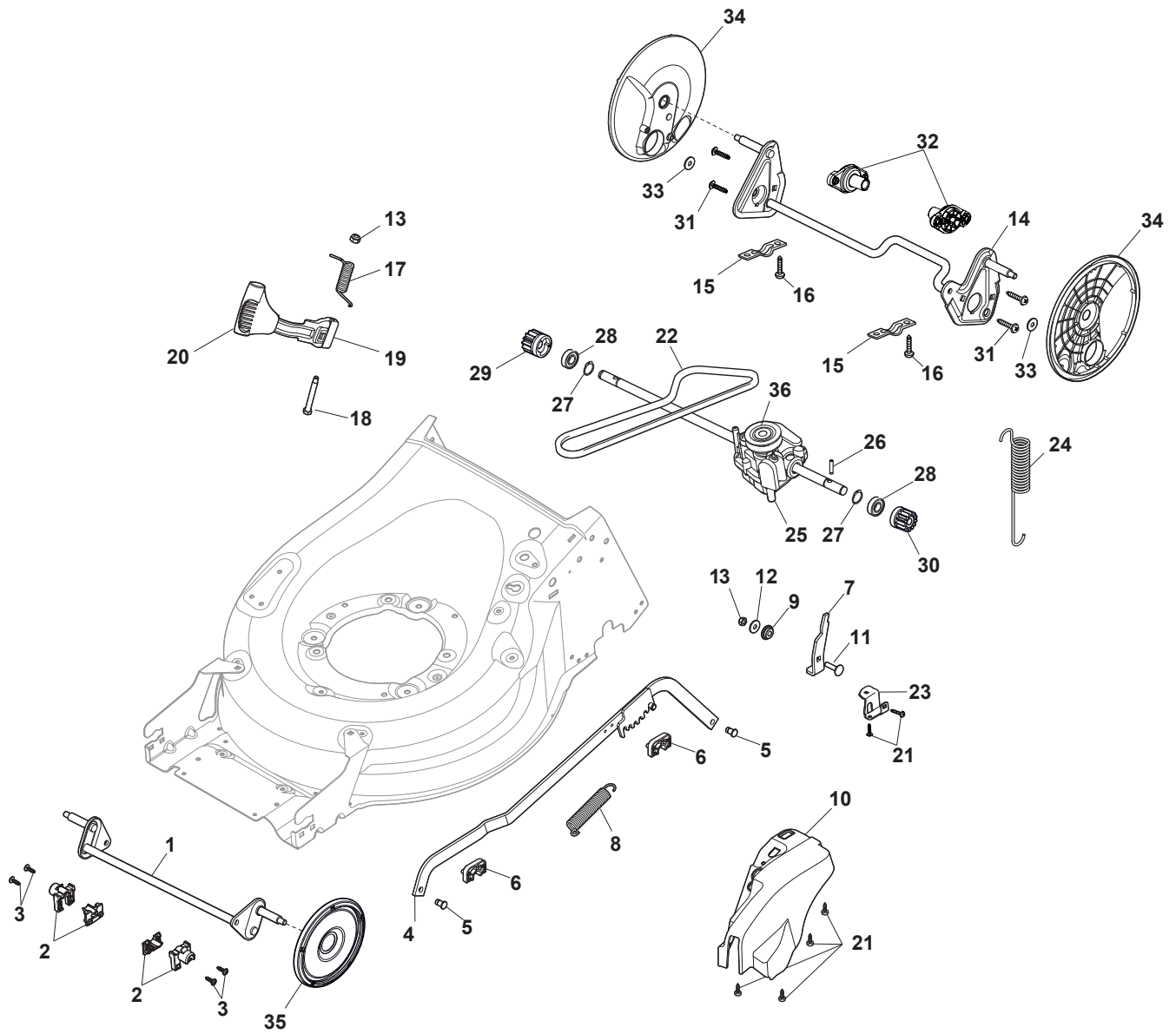


Fig.	Q.ty	Part No	Description	Notes
1	1	381302915/0	Axle	
2	2	322785305/1	Support	
3	4	112728697/0	Screw	
4	1	322869693/1	Wheels Control Rod	
5	2	122519823/0	Pin	
6	2	112436051/0	Plate	
7	1	322778475/0	Bracket	
8	1	122450480/0	Spring	
9	1	122517873/0	Pin	
10	1	322055330/0	Cover	
11	1	112815270/0	Screw	
12	1	112523040/0	Washer	
13	2	112154510/0	Nut	
14	1	381302887/0	Rear Wheel Axle	
15	2	322545152/0	Plate	
16	4	112728697/0	Screw	
17	1	122446192/0	Spring	
18	1	122534131/0	Pin	
19	1	381003399/0	Lever, Height Adjustment	
20	1	322394506/0	Knob	
21	5	112728699/0	Screw	
22	1	135064100/0	Belt	
23	1	322778473/0	Bracket	
24	1	122450478/0	Spring	
25	1	181003115/0	Gear Box	
26	2	122753000/0	Pin	
27	4	112608600/0	Seeger	
28	2	119216035/0	Bearing	
29	1	122570133/0	Right Pinion	
30	2	122570134/0	Left Pinion	
31	4	112728697/0	Screw	
32	2	322042063/1	Bushing	
33	2	112521371/0	Washer	
34	2	322600208/0	Protection, Wheel	
35	2	322600145/0	Protection, Wheel	
36	1	122601909/0	Pulley	

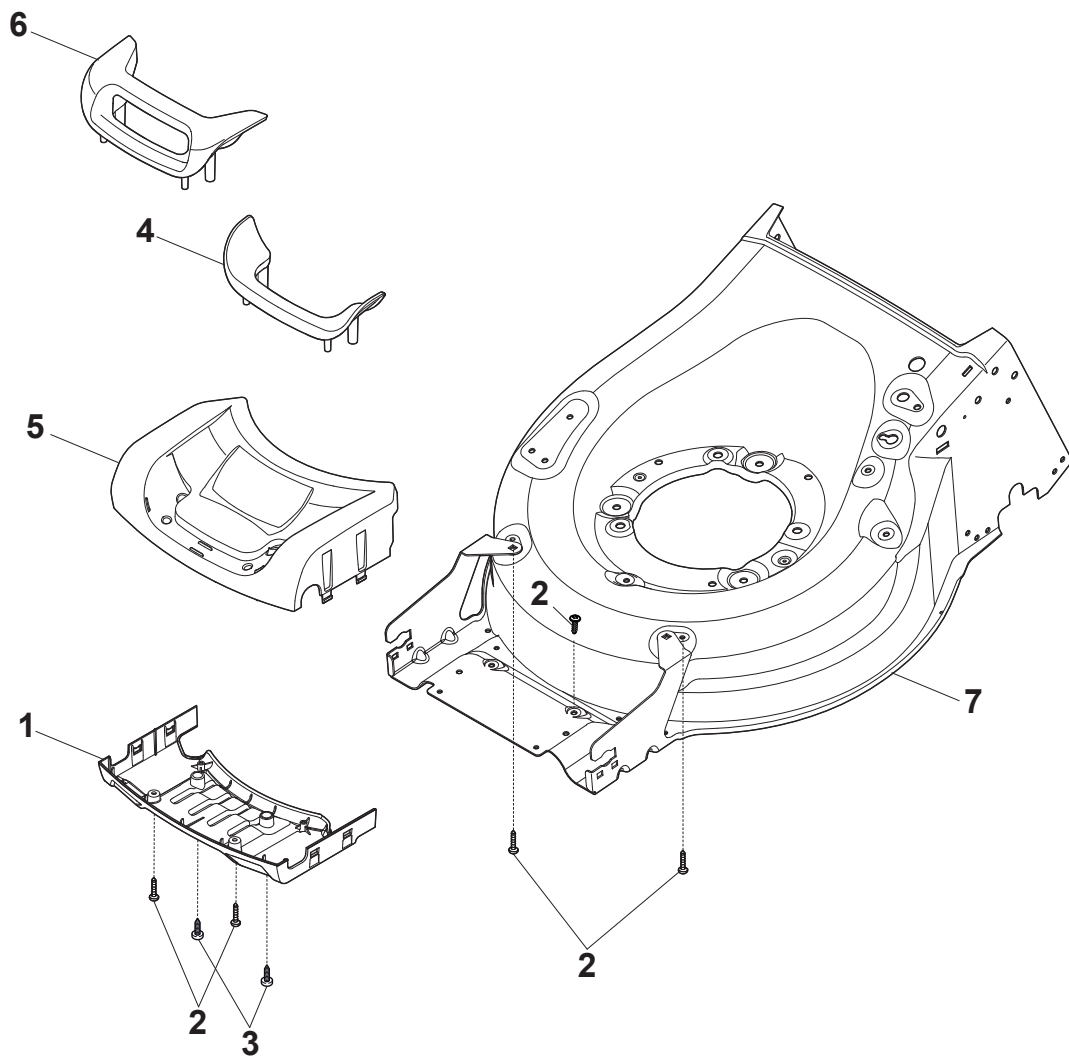


Fig.	Q.ty	Part No	Description	Notes
1	1	322500113/0	Front Combi	
2	6	112728697/0	Screw	
3	2	112728699/0	Screw	
4	1	322055524/0	Insert	
5	1	322226217/0	Mask, Red	
5	1	322226221/0	Mask, Black	
5	1	322226242/0	Mask, Red	
6	1	322393742/0	Handle	
7	1	381004794/0	Red Deck	

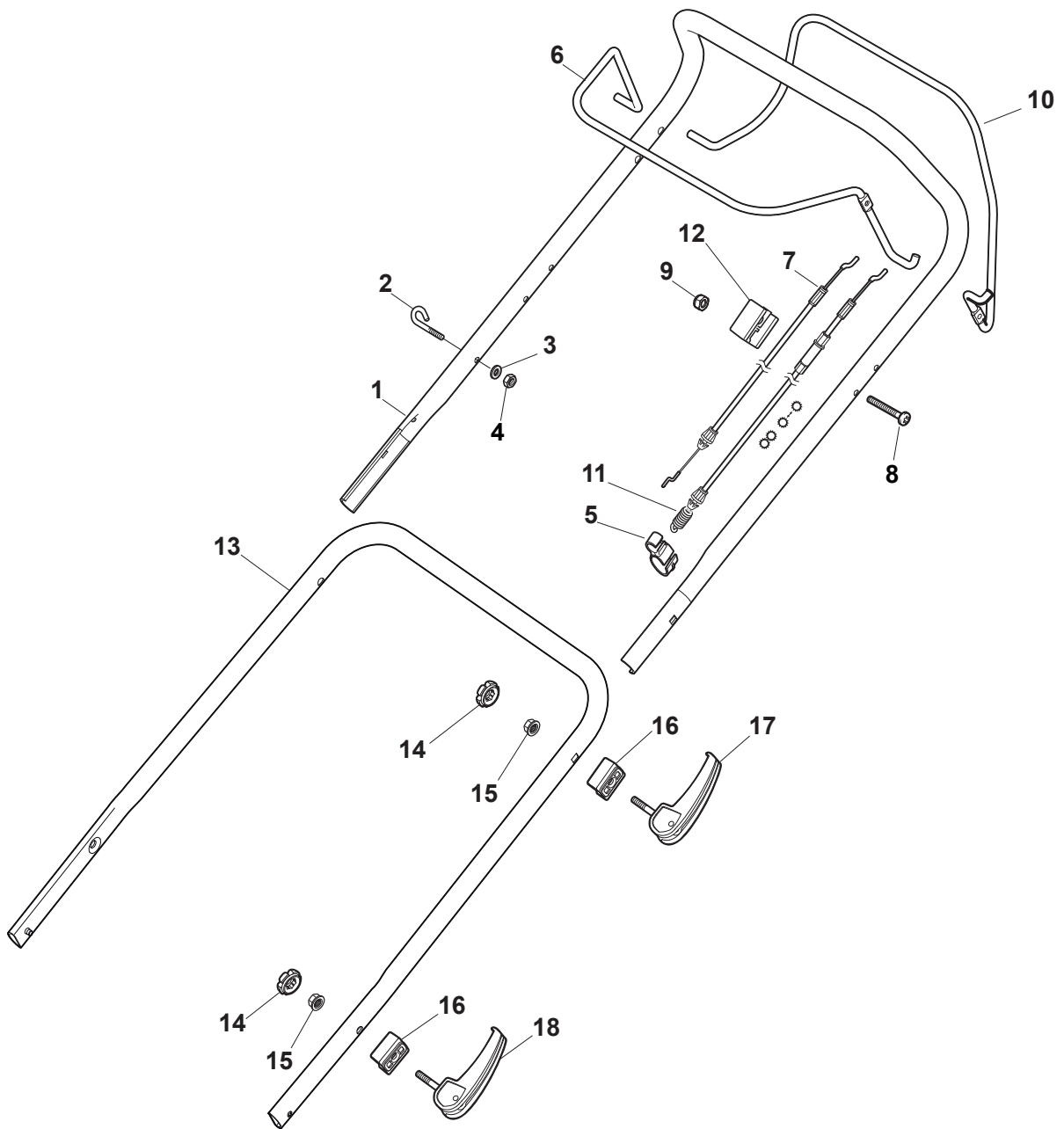


Fig.	Q.ty	Part No	Description	Notes
1	1	381006739/1	Handle, Upper Part	Black without Sponge
1	1	381006745/1	Handle, Upper Part with sponge handgrip	Black with Sponge
2	1	122430313/0	Guide Spring	
3	1	112521330/0	Washer	
4	1	112154510/0	Nut	
5	1	118390020/0	Conduit Clip	
6	1	381003365/0	Lever, Engine Brake Yellow	Yellow
7	1	181030106/0	Cable, Thread Engine Brake	For B&S 550E-625E-650EXI-675EXI-675IS-850 Engine
8	1	112727783/0	Screw	
9	1	112154510/0	Nut	
10	1	381003366/0	Lever, Driving Yellow	Yellow
11	1	381030104/0	Clutch Cable	
12	1	322551640/0	Plate	
13	1	381007563/0	Lower handle	Black
14	4	322399835/0	Knob	
15	4	122131750/0	Nut	
16	4	322680016/0	Washer	
17	2	381103350/0	Handle	Black
18	2	381003253/0	Handle	Black

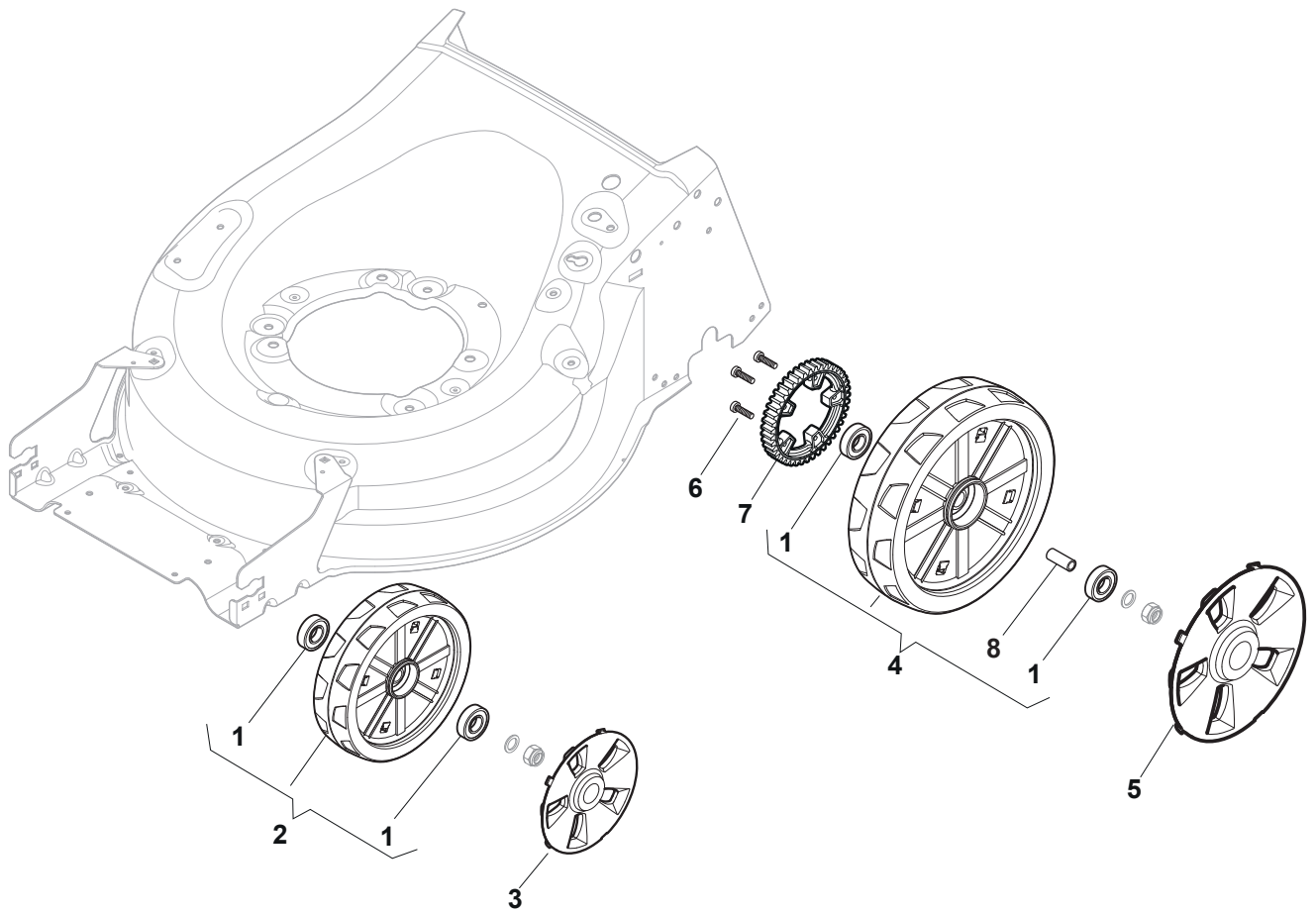


Fig.	Q.ty	Part No	Description	Notes
1	4	119216035/0	Bearing	
2	2	381007483/1	Wheel	
3	2	322110643/0	Hub Cap Grey	Grey
4	2	381007478/1	Wheel	
5	2	322110644/0	Hub Cap Grey	Grey
6	6	112728706/0	Screw	
7	2	322120115/0	Wheels Crown	
8	2	122170845/0	Spacer	

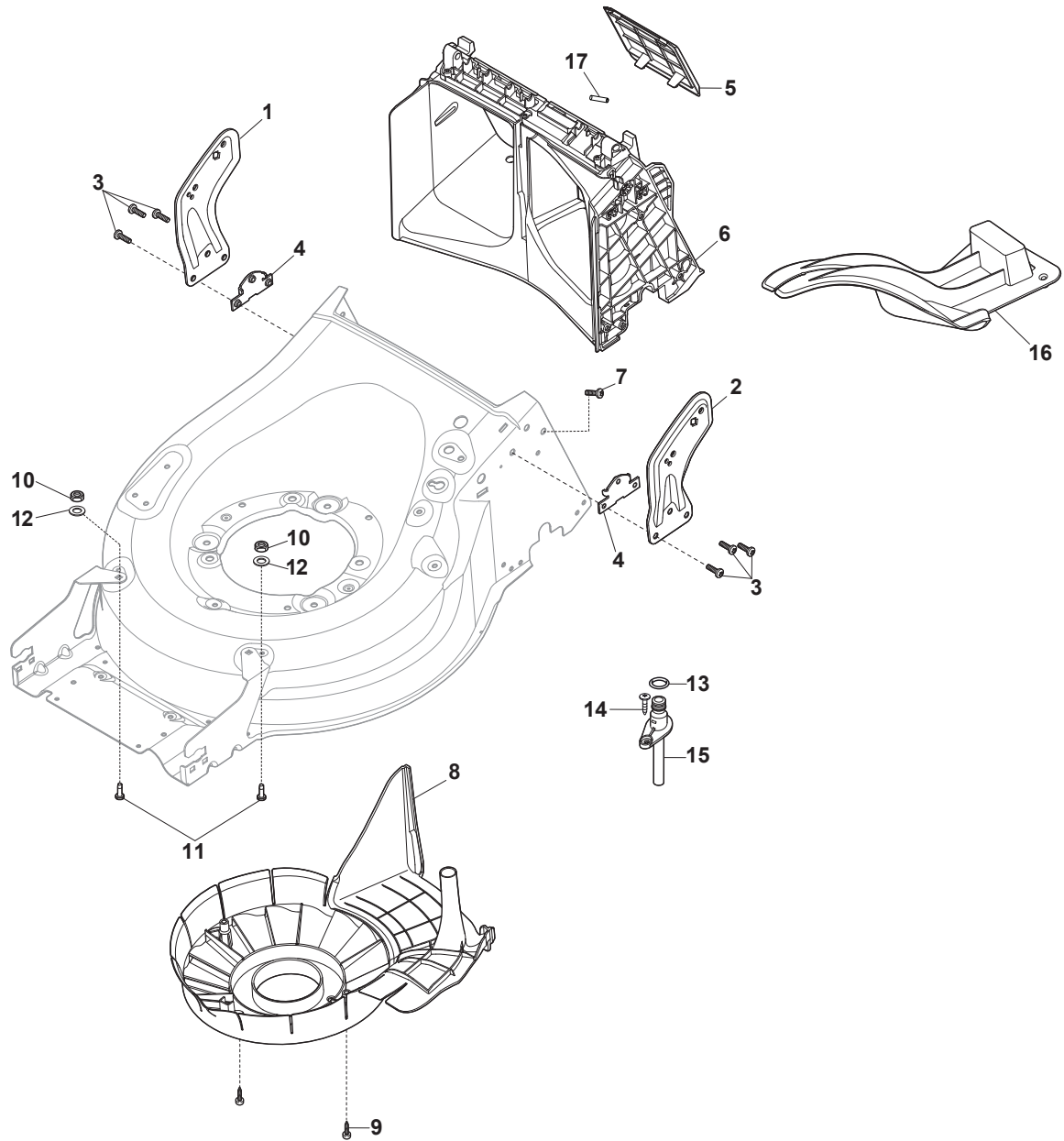


Fig.	Q.ty	Part No	Description	Notes
1	1	381005195/0	Bracket-Rh	Black
2	1	381005197/0	Bracket-Lh	Black
3	6	112727801/0	Screw	
4	2	322545213/0	Plate	
5	1	322600310/0	Rear door	Not for TR/E models
6	1	322108316/0	Conveyor	
7	6	112728699/0	Screw	
8	1	322060271/1	Carter Mulching	
9	2	112735645/0	Screw	
10	2	112154510/0	Nut	
11	2	112815205/0	Screw	
12	2	112521330/0	Washer	
13	1	119035000/0	Or Ring	
14	1	112728697/0	Screw	
15	1	322034002/0	Washing Connection	
16	1	322140246/0	Deflector	
17	1	112645708/0	Pin	

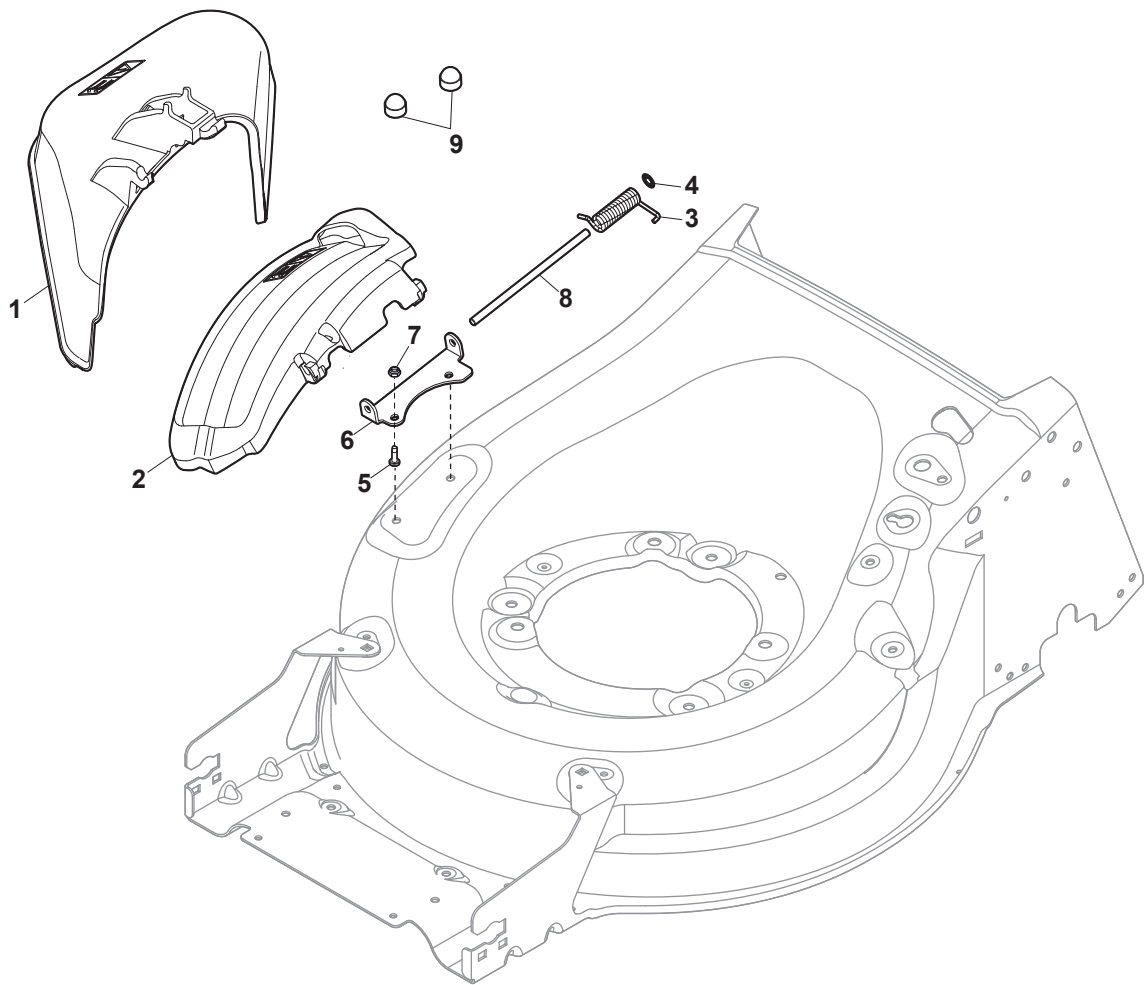


Fig.	Q.ty	Part No	Description	Notes
1	1	322108315/0	Conveyor	
2	1	322600309/0	Stone Guard, Black	
3	1	122450456/0	Spring	
4	2	112604896/0	Crown Fastener	
5	2	112727803/0	Screw	
6	1	322806639/0	Fulcrum Pin	
7	2	112154510/0	Nut	
8	1	122517869/1	Pin	
9	2	118203853/0	Cap	

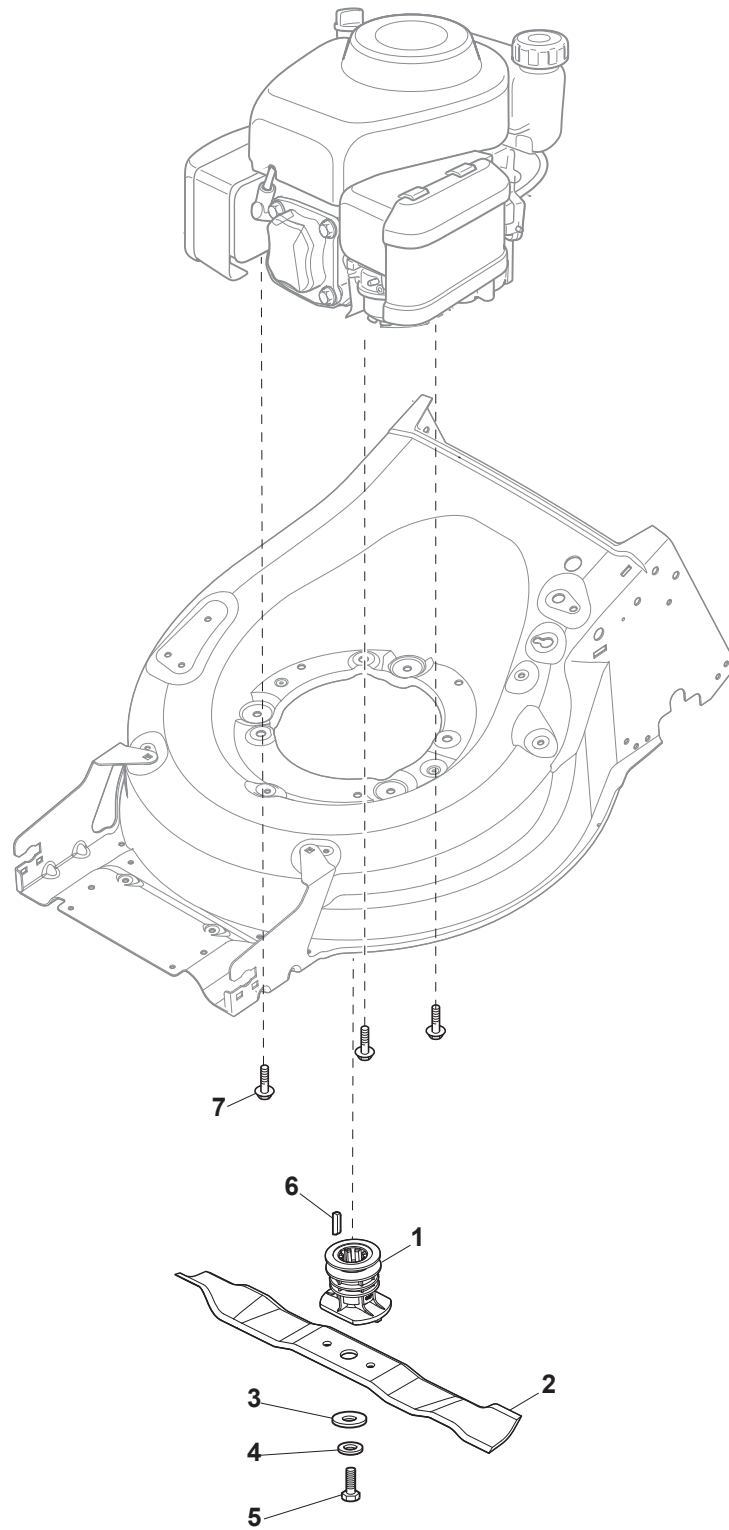


Fig.	Q.ty	Part No	Description	Notes
1	1	122465607/3	Hub With Pulley, Crankshaft Ø 22.2	for GGP and B&S Engines
2	1	181004409/0	Mulching Blade	
3	1	112508125/0	Elastic Washer	
4	1	112523080/0	Washer	
5	1	112735698/0	Screw	for GGP-B&S-HONDA Engines
6	1	112139100/0	Key	for GGP and B&S Engines
7	3	112735108/1	Screw	for GGP-B&S-HONDA Engines

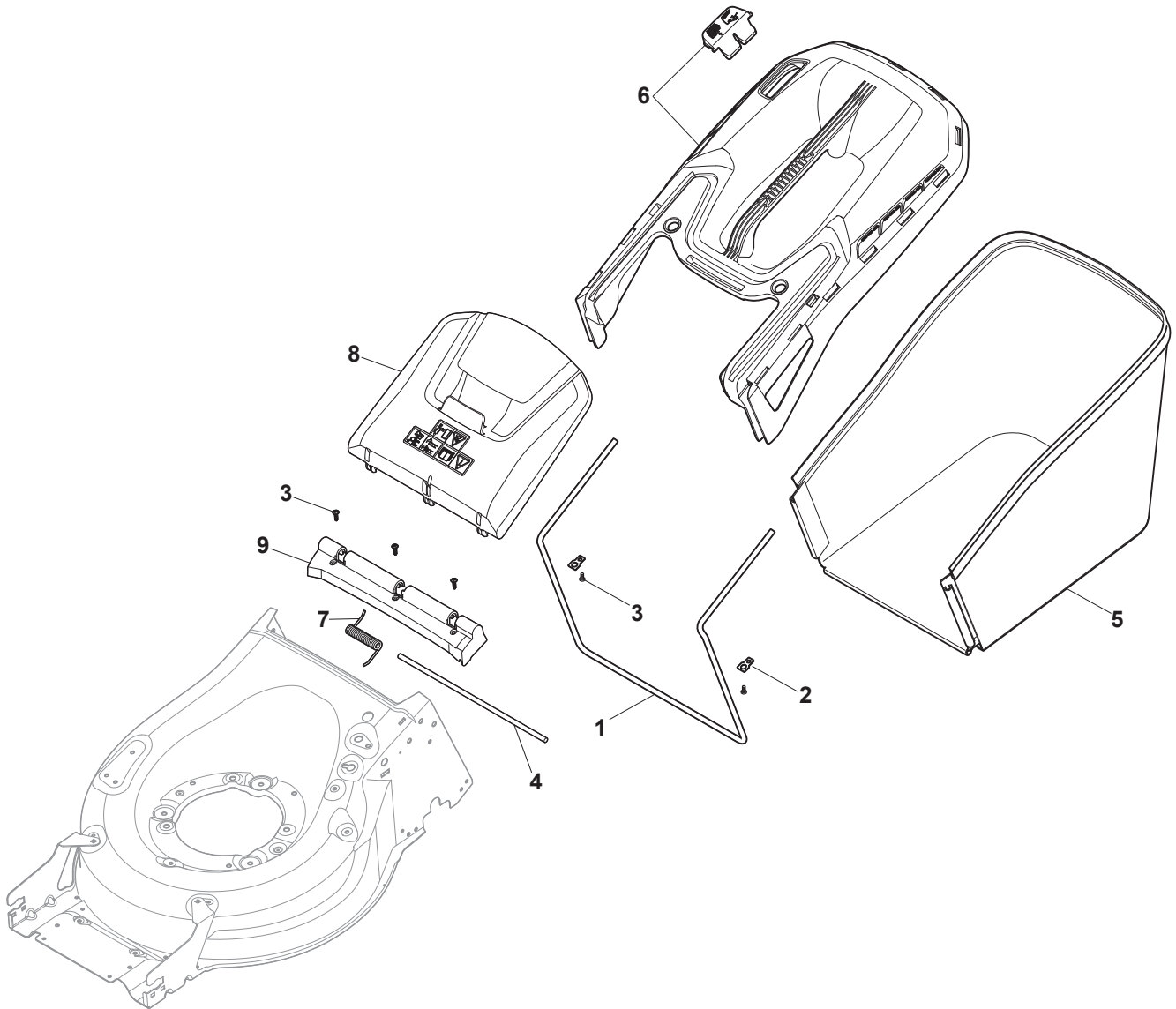


Fig.	Q.ty	Part No	Description	Notes
1	1	181006411/0	Fabric Box Frame	
2	2	322557177/0	Plate	
3	5	112728697/0	Screw	
4	1	122517884/0	Pin	
5	1	181102349/0	Cancas GrassCatcher	
6	1	381486039/0	Box, Upper Side Black	Black with Red Indicator
7	1	122450479/0	Spring	
8	1	322600308/0	Stone Guard, Black	
8	1	322600339/0	Stone Guard, Yellow	
9	1	322109569/0	Black Stone Guard Support	
9	1	322109584/0	Yellow Stone Guard Support	

code	pos.	q.ty	page				
112139100/0	6	1	p. 15	322042063/1	32	2	p. 3
112154510/0	4	1	p. 7	322055330/0	10	1	p. 3
112154510/0	7	2	p. 13	322055524/0	4	1	p. 5
112154510/0	9	1	p. 7	322060271/1	8	1	p. 11
112154510/0	10	2	p. 11	322108315/0	1	1	p. 13
112154510/0	13	2	p. 3	322108316/0	6	1	p. 11
112436051/0	6	2	p. 3	322109569/0	9	1	p. 17
112508125/0	3	1	p. 15	322109584/0	9	1	p. 17
112521330/0	3	1	p. 7	322110643/0	3	2	p. 9
112521330/0	12	2	p. 11	322110644/0	5	2	p. 9
112521371/0	33	2	p. 3	322120115/0	7	2	p. 9
112523040/0	12	1	p. 3	322140246/0	16	1	p. 11
112523080/0	4	1	p. 15	322226217/0	5	1	p. 5
112604896/0	4	2	p. 13	322226221/0	5	1	p. 5
112608600/0	27	4	p. 3	322226242/0	5	1	p. 5
112645708/0	17	1	p. 11	322393742/0	6	1	p. 5
112727783/0	8	1	p. 7	322394506/0	20	1	p. 3
112727801/0	3	6	p. 11	322399835/0	14	4	p. 7
112727803/0	5	2	p. 13	322500113/0	1	1	p. 5
112728697/0	2	6	p. 5	322545152/0	15	2	p. 3
112728697/0	3	4	p. 3	322545213/0	4	2	p. 11
112728697/0	3	5	p. 17	322551640/0	12	1	p. 7
112728697/0	14	1	p. 11	322557177/0	2	2	p. 17
112728697/0	16	4	p. 3	322600145/0	35	2	p. 3
112728697/0	31	4	p. 3	322600208/0	34	2	p. 3
112728699/0	3	2	p. 5	322600308/0	8	1	p. 17
112728699/0	7	6	p. 11	322600309/0	2	1	p. 13
112728699/0	21	5	p. 3	322600310/0	5	1	p. 11
112728706/0	6	6	p. 9	322600339/0	8	1	p. 17
112735108/1	7	3	p. 15	322680016/0	16	4	p. 7
112735645/0	9	2	p. 11	322778473/0	23	1	p. 3
112735698/0	5	1	p. 15	322778475/0	7	1	p. 3
112815205/0	11	2	p. 11	322785305/1	2	2	p. 3
112815270/0	11	1	p. 3	322806639/0	6	1	p. 13
118203853/0	9	2	p. 13	322869693/1	4	1	p. 3
118390020/0	5	1	p. 7	381003253/0	18	2	p. 7
119035000/0	13	1	p. 11	381003365/0	6	1	p. 7
119216035/0	1	4	p. 9	381003366/0	10	1	p. 7
119216035/0	28	2	p. 3	381003399/0	19	1	p. 3
122131750/0	15	4	p. 7	381004794/0	7	1	p. 5
122170845/0	8	2	p. 9	381005195/0	1	1	p. 11
122430313/0	2	1	p. 7	381005197/0	2	1	p. 11
122446192/0	17	1	p. 3	381006739/1	1	1	p. 7
122450456/0	3	1	p. 13	381006745/1	1	1	p. 7
122450478/0	24	1	p. 3	381007478/1	4	2	p. 9
122450479/0	7	1	p. 17	381007483/1	2	2	p. 9
122450480/0	8	1	p. 3	381007563/0	13	1	p. 7
122465607/3	1	1	p. 15	381030104/0	11	1	p. 7
122517869/1	8	1	p. 13	381103350/0	17	2	p. 7
122517873/0	9	1	p. 3	381302887/0	14	1	p. 3
122517884/0	4	1	p. 17	381302915/0	1	1	p. 3
122519823/0	5	2	p. 3	381486039/0	6	1	p. 17
122534131/0	18	1	p. 3				
122570133/0	29	1	p. 3				
122570134/0	30	2	p. 3				
122601909/0	36	1	p. 3				
122753000/0	26	2	p. 3				
135064100/0	22	1	p. 3				
181003115/0	25	1	p. 3				
181004409/0	2	1	p. 15				
181006411/0	1	1	p. 17				
181030106/0	7	1	p. 7				
181102349/0	5	1	p. 17				
322034002/0	15	1	p. 11				