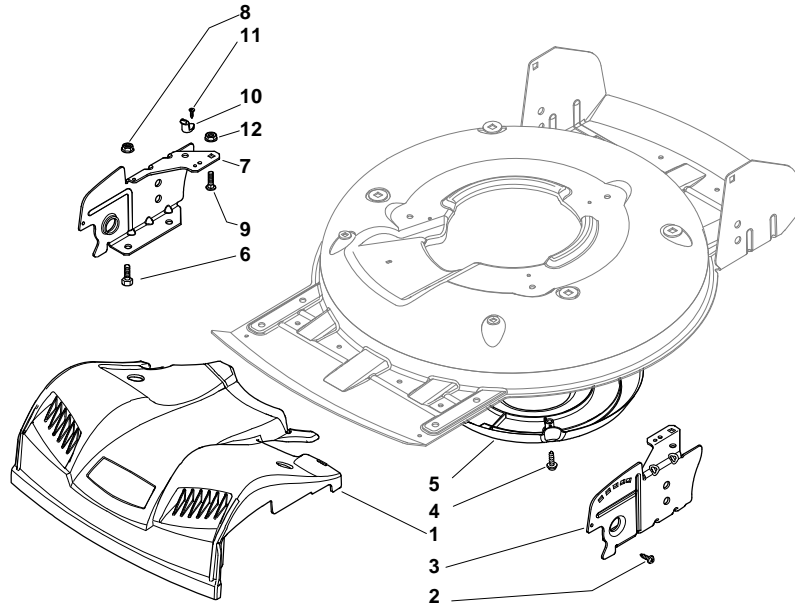


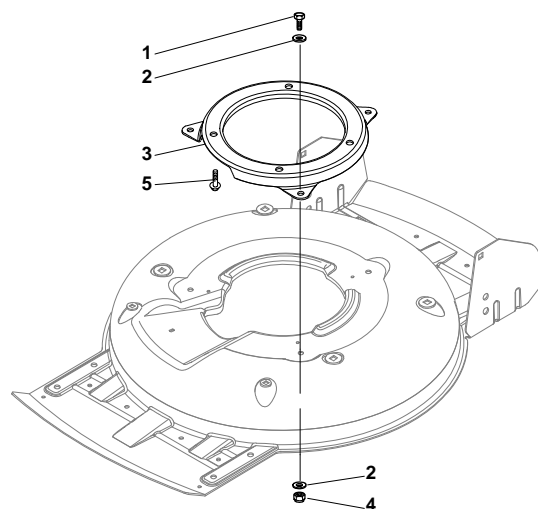
Genuine Spare Parts

**MULTICLIP 50 S
INOX PLUS**

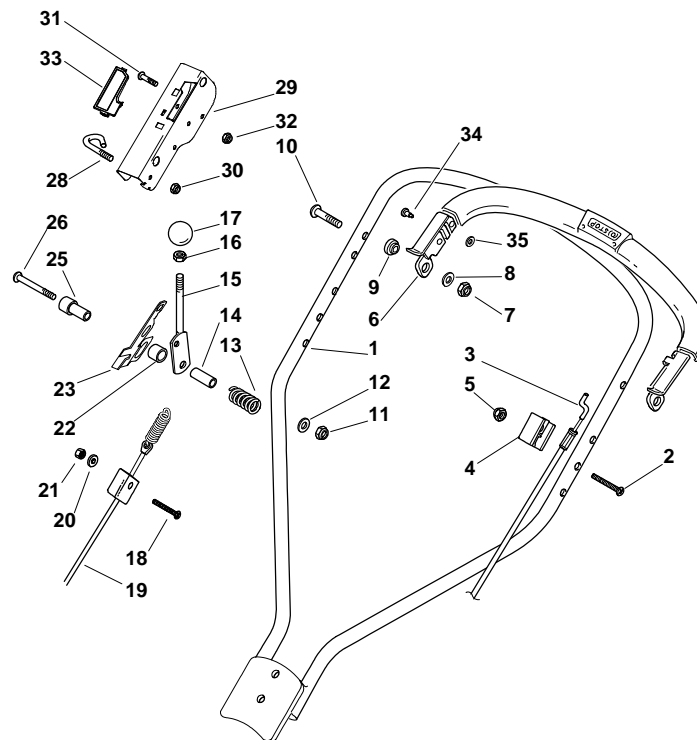




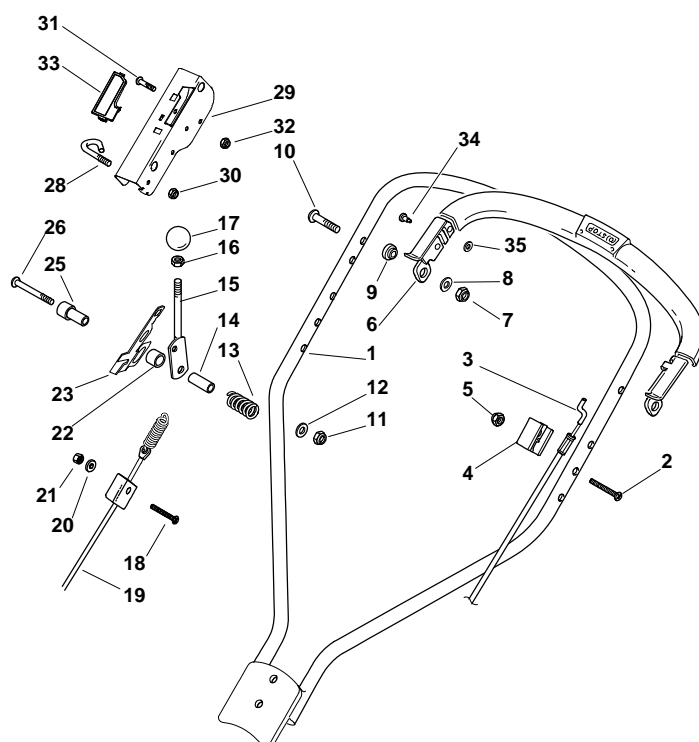
| Pos. Fig. | Antal Quantity | Art No Part No | Benämning | Description | Anmärkning Notes |
|-----------|----------------|----------------|----------------|--------------|------------------|
| 1 | 1 | 322226097/1 | Frontkläpa-gul | Mask, Yellow | |
| 1 | 1 | 322226098/1 | Frontkläpa-grå | Mask, Grey | |
| 2 | 2 | 12728523/0 | Skruv | Screw | |
| 3 | 1 | 22778421/0 | Fäste-vä | Bracket, L | |
| 4 | 3 | 12728530/0 | Skruv | Screw | |
| 5 | 1 | 22060220/0 | Skydd | Protection | |
| 6 | 4 | 12792611/0 | Skruv | Screw | |
| 7 | 1 | 22778419/0 | Fäste-hö | Bracket, R | |
| 8 | 4 | 12293201/0 | Mutter | Nut | |
| 9 | 2 | 12815200/0 | Skruv | Screw | |
| 10 | 2 | 22020400/0 | Hållare | Fairlead | |
| 11 | 2 | 12728523/0 | Skruv | Screw | |
| 12 | 2 | 12292102/0 | Mutter | Nut | |



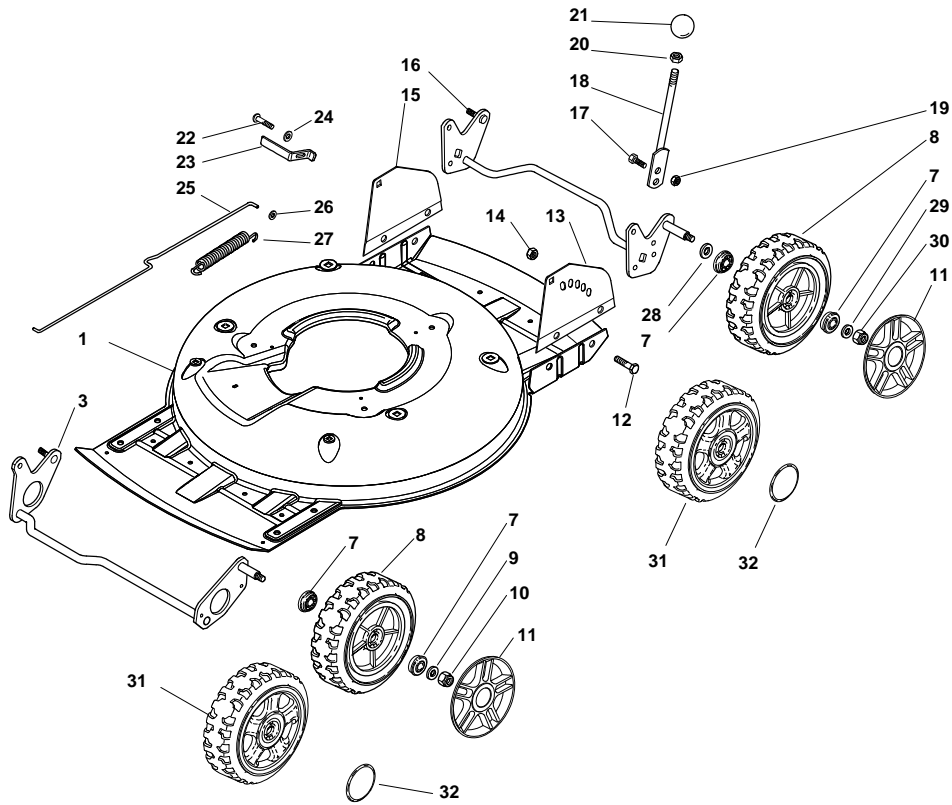
| Pos. Fig. | Antal Quantity | Art No Part No | Benämning | Description | Anmärkning Notes |
|-----------|----------------|----------------|-----------|-------------|------------------|
| 1 | 3 | 12792611/0 | Skruv | Screw | |
| 2 | 6 | 12523060/0 | Bricka | Washer | |
| 3 | 1 | 322207219/1 | Fläns | Flange | |
| 4 | 3 | 12293201/0 | Mutter | Nut | |
| 5 | 3 | 112735108/1 | Skruv | Screw | |

MULTICLIP 50 S INOX PLUS - Model Year 2009


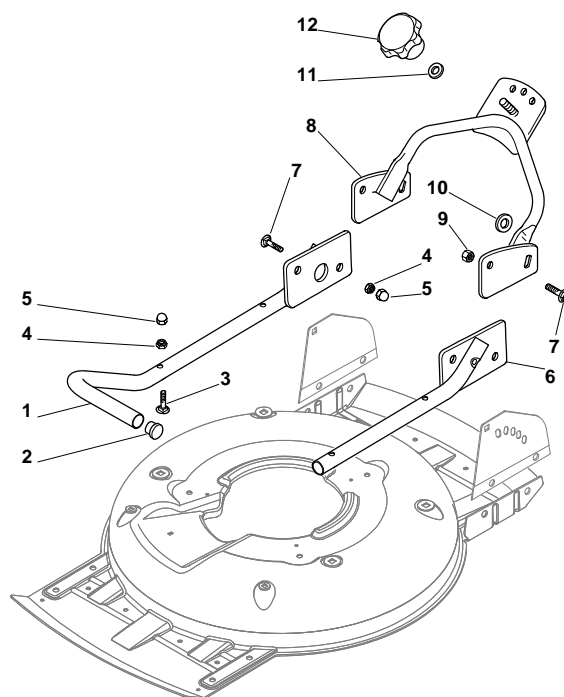
| Pos. Fig. | Antal Quantity | Art No Part No | Benämning | Description | Anmärkning Notes |
|-----------|----------------|----------------|----------------|----------------------------|-------------------------------|
| 1 | 1 | 81006363/1 | Styre-överdel | Handle, Upper Part Yellow | Yellow |
| 1 | 1 | 81006363/1 | Styre-överdel | Handle, Upper Part Yellow | |
| 2 | 1 | 12727783/0 | Skruv | Screw | |
| 3 | 1 | 181000618/0 | Motorbromswire | Cable, Thread Engine Brake | (Ggp 160cc) |
| 3 | 1 | 181000618/0 | Motorbromswire | Cable, Thread Engine Brake | |
| 3 | 1 | 181000618/0 | Motorbromswire | Cable, Thread Engine Brake | (B&S 625-675 Series) |
| 3 | 1 | 181000618/0 | Motorbromswire | Cable, Thread Engine Brake | (Ggp 140cc) |
| 3 | 1 | 181000769/1 | Motorbromswire | Cable, Thread Engine Brake | (B&S 450-500 Series) |
| 3 | 1 | 181000769/1 | Motorbromswire | Cable, Thread Engine Brake | TR 4S (Honda Gcv 135-160-190) |
| 3 | 1 | 181000769/1 | Motorbromswire | Cable, Thread Engine Brake | |
| 3 | 1 | 81000733/0 | Motorbromswire | Cable, Thread Motor Brake | (Honda Gcv 135-160-190) |
| 3 | 1 | 81000733/0 | Motorbromswire | Cable, Thread Motor Brake | |
| 4 | 1 | 22551640/0 | Wirefäste | Plate | |
| 5 | 1 | 12154510/0 | Mutter | Nut | |
| 6 | 1 | 81003318/1 | Reglagebygel | Lever, Engine Brake | |
| 7 | 2 | 12154510/0 | Mutter | Nut | |
| 8 | 2 | 12521330/0 | Bricka | Washer | |
| 9 | 2 | 22671660/1 | Bricka | Washer | |
| 10 | 2 | 12727784/0 | Skruv | Screw | |
| 11 | 1 | 12292100/0 | Mutter | Nut | |
| 12 | 1 | 12530060/0 | Bricka | Elastic Washer | |
| 13 | 1 | 22450446/0 | Fjäder | Spring | |
| 14 | 1 | 22170840/0 | Distans | Spacer | |
| 15 | 1 | 81003313/0 | Spak | Lever, Driving | |
| 16 | 1 | 12293200/0 | Mutter | Nut | |
| 17 | 1 | 22399812/0 | Knopp | Knob | |
| 18 | 1 | 12727791/0 | Skruv | Screw | |
| 19 | 1 | 381000745/1 | Kopplingswire | Cable, Rear Drive | |
| 20 | 1 | 12521330/0 | Bricka | Washer | |
| 21 | 1 | 12154510/0 | Mutter | Nut | |
| 22 | 1 | 22170843/0 | Distans | Spacer | |

MULTICLIP 50 S INOX PLUS - Model Year 2009


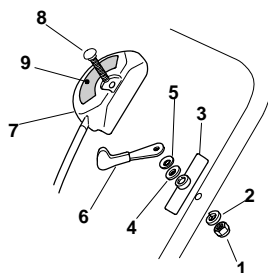
| Pos. Fig. | Antal Quantity | Art No Part No | Benämning | Description | Anmärkning Notes |
|-----------|----------------|----------------|-----------|-------------|------------------|
| 23 | 1 | 22551653/0 | Platta | Plate | |
| 25 | 1 | 22170842/0 | Distans | Spacer | |
| 26 | 1 | 12727786/0 | Skruv | Screw | |
| 28 | 1 | 22430314/0 | Öglebult | Spring | |
| 29 | 1 | 81004405/0 | Panel | Dash Board | |
| 30 | 1 | 12154510/0 | Mutter | Nut | |
| 31 | 1 | 12727792/0 | Skruv | Screw | |
| 32 | 1 | 12154510/0 | Mutter | Nut | |
| 33 | 1 | 22500050/0 | Glidblock | Shoe | |
| 34 | 1 | 22524342/0 | Sprint | Pin | |
| 35 | 1 | 12604897/0 | Låkring | Washer | |

MULTICLIP 50 S INOX PLUS - Model Year 2009


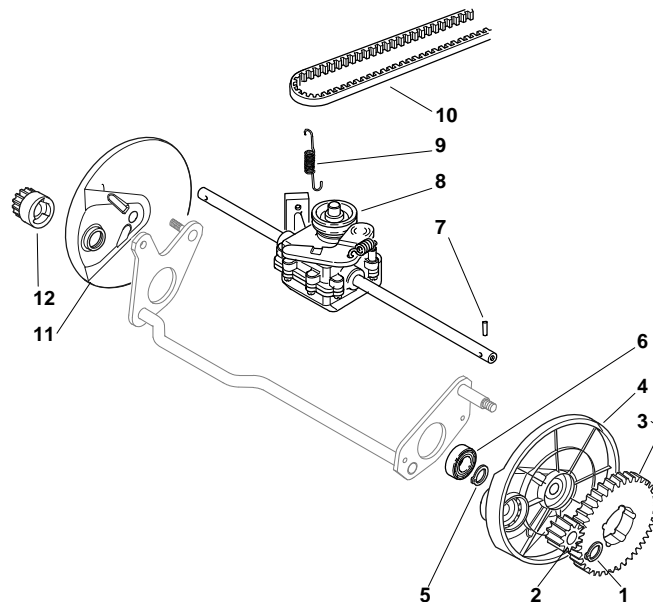
| Pos. Fig. | Antal Quantity | Art No Part No | Benämning | Description | Anmärkning Notes |
|-----------|----------------|----------------|--------------------|--------------------------------|------------------|
| 1 | 1 | 322064691/0 | Chassi | Deck Inox | |
| 1 | 1 | 81002909/1 | Chassi | Deck Grey | |
| 3 | 1 | 81002849/0 | Hjulaxel | Axle, Front Wheels | |
| 7 | 8 | 22122200/0 | Kullager | Bearing | |
| 8 | 4 | 81007343/0 | Hjul | Wheel | |
| 9 | 2 | 12369500/0 | Bricka | Washer | |
| 10 | 2 | 12155000/0 | Mutter | Nut | |
| 11 | 4 | 22110492/0 | Navkapsel | Hub Cap Grey | |
| 12 | 4 | 12791011/0 | Skruv | Screw | |
| 13 | 1 | 322545169/0 | Platta-vä | Left Plate, Inox | |
| 13 | 1 | 81545105/0 | Platta-vä | Left Plate | |
| 14 | 4 | 12154510/0 | Mutter | Nut | |
| 15 | 1 | 322545167/0 | Platta-hö | Right Plate, Inox | |
| 15 | 1 | 81545104/0 | Platta-hö | Right Plate | |
| 16 | 1 | 81002851/0 | Hjulaxel | Axle, Rear Wheels | |
| 17 | 2 | 12789000/0 | Skruv | Screw | |
| 18 | 1 | 81003323/0 | Höjdinställn.spak | Lever, Height Adjustment | |
| 19 | 2 | 12154330/0 | Mutter | Nut | |
| 20 | 1 | 12293200/0 | Mutter | Nut | |
| 21 | 1 | 22399812/0 | Knopp | Knob | |
| 22 | 2 | 12735661/0 | Skruv | Screw | |
| 23 | 2 | 22551529/0 | Hjulrensare | Plate | |
| 24 | 2 | 12521330/0 | Bricka | Washer | |
| 25 | 1 | 22033329/0 | Höjdinställn.stång | Rod, Height Adjustment Control | |
| 26 | 2 | 12604899/0 | Låsbricka | Crown Fastener | |
| 27 | 1 | 22446184/0 | Fjäder | Spring | |
| 28 | 2 | 12530150/0 | Bricka | Washer | |
| 29 | 2 | 12521350/0 | Bricka | Washer | |
| 30 | 2 | 12155000/0 | Mutter | Nut | |
| 31 | 4 | 81007382/0 | Hjul | Wheel | |
| 32 | 4 | 22110419/0 | Navkapsel-svart | Hub Cap | |



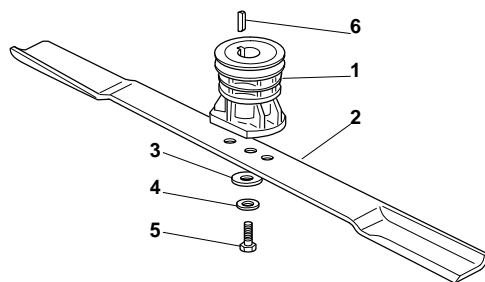
| Pos. Fig. | Antal Quantity | Art No Part No | Benämning | Description | Anmärkning Notes |
|-----------|----------------|----------------|--------------------|---------------------------|------------------|
| 1 | 1 | 81006373/0 | Styre-underdel, hö | Right Handle, Lower Part | |
| 2 | 4 | 18566114/0 | Plugg | Cap | |
| 3 | 6 | 12819100/0 | Skruv | Screw | |
| 4 | 6 | 12155000/0 | Mutter | Nut | |
| 5 | 6 | 18203854/0 | Tätningshylsa | Protection | |
| 6 | 1 | 81006375/0 | Styre-underdel, vä | Left Handle, Lower Part | |
| 7 | 4 | 12793102/0 | Skruv | Screw | |
| 8 | 1 | 81006361/0 | Styre-underdel | Handle, Lower Part Yellow | |
| 8 | 1 | 81006367/0 | Styre-överdel | Handle, Upper Part, Black | |
| 9 | 4 | 12155000/0 | Mutter | Nut | |
| 10 | 2 | 12523060/0 | Bricka | Washer | |
| 11 | 1 | 12523080/0 | Bricka | Washer | |
| 12 | 1 | 22399813/0 | Låsratt | Knob | |



| Pos. Fig. | Antal Quantity | Art No Part No | Benämning | Description | Anmärkning Notes |
|-----------|----------------|----------------|-----------|-----------------|---|
| 1 | 1 | 12291000/0 | Mutter | Nut | |
| 2 | 1 | 12581500/0 | Låsbricka | Grower | |
| 3 | 1 | 22171006/0 | Distans | Spacer | |
| 4 | 1 | 12521360/0 | Bricka | Washer | |
| 5 | 1 | 12508100/0 | Låsbricka | Washer | |
| 6 | 1 | 81007220/0 | Gasarm | Lever, Throttle | (B&S 450-500 Series - Ggp 150 cc) |
| 6 | 1 | 81007220/0 | Gasarm | Lever, Throttle | |
| 6 | 1 | 81007279/1 | Gasarm | Lever, Throttle | |
| 6 | 1 | 81007279/1 | Gasarm | Lever, Throttle | (B&S 625-675-700 Series - Honda - Ggp 140-160-196 cc) |
| 7 | 1 | 81007080/0 | Gaswire | Cable, Trottle | |
| 8 | 1 | 12815030/0 | Skruv | Screw | |
| 9 | 1 | 114356905/0 | Dekal | Label | (Honda GCV 160-190 Autochoke) |
| 9 | 1 | 114356905/0 | Dekal | Label | |
| 9 | 1 | 114356905/0 | Dekal | Label | (B&S 700 series DOV) |
| 9 | 1 | 114364264/0 | Dekal | Label | |
| 9 | 1 | 114364264/0 | Dekal | Label | AVS (GGP 160-196) |
| 9 | 1 | 14356702/0 | Dekal | Label | |
| 9 | 1 | 14356702/0 | Dekal | Label | (GGP) |
| 9 | 1 | 14356702/0 | Dekal | Label | (Honda) |
| 9 | 1 | 14356703/0 | Dekal | Label | (B&S) |
| 9 | 1 | 14356703/0 | Dekal | Label | |
| 9 | 1 | 14361404/0 | Dekal | Label | |
| 9 | 1 | 14361404/0 | Dekal | Label | (GGP - Avs) |



| Pos. Fig. | Antal Quantity | Art No Part No | Benämning | Description | Anmärkning Notes |
|-----------|----------------|----------------|--------------|---------------------|------------------|
| 1 | 2 | 12608600/0 | Låsring | Snap Ring | |
| 2 | 1 | 22570120/1 | Drev | Pinion L | |
| 3 | 2 | 22120105/1 | Ringdrev | Ring Gear | |
| 4 | 1 | 22600092/0 | Hjulskydd | Protection, R Wheel | |
| 5 | 2 | 12608600/0 | Låsring | Snap Ring | |
| 6 | 2 | 19216035/0 | Lager | Bearing | |
| 7 | 2 | 22753000/0 | Stift | Pin | |
| 8 | 1 | 81003095/0 | Transmission | Gear Box | |
| 9 | 1 | 22450437/0 | Fjäder | Spring | |
| 10 | 1 | 35063902/0 | Drivrem | Belt | |
| 11 | 1 | 22600093/0 | Hjulskydd | Protection, L Wheel | |
| 12 | 1 | 22570110/1 | Drev | Pinion R | |



| Pos. Fig. | Antal Quantity | Art No Part No | Benämning | Description | Anmärkning Notes |
|-----------|----------------|----------------|-----------|-----------------|------------------|
| 1 | 1 | 22465607/2 | Knivfäste | Hub With Pulley | |
| 2 | 1 | 81004146/0 | Kniv | Blade Winged | |
| 2 | 1 | 81004366/2 | Kniv | Blade Standard | |
| 3 | 1 | 22160400/0 | Bricka | Elastic Washer | |
| 4 | 1 | 12523080/0 | Bricka | Washer | |
| 5 | 1 | 12735698/0 | Skruv | Screw | |
| 6 | 1 | 12139100/0 | Kil | Key | |