



Reservdelskatalog Parts Catalogue

MULTICLIP PRO 53 SV

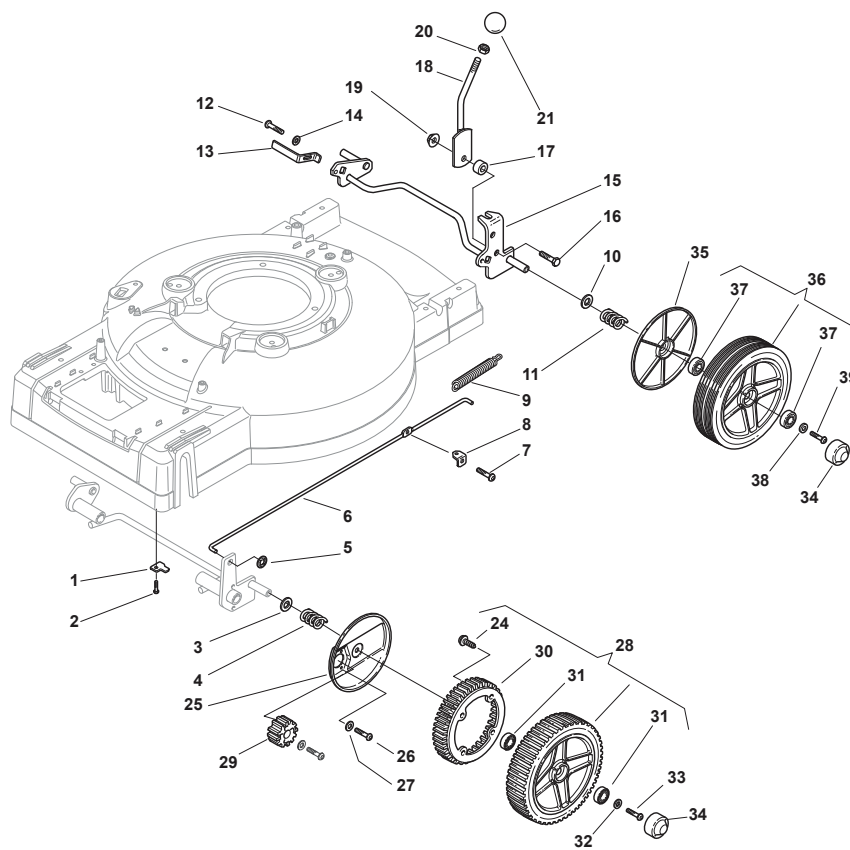
293533038/S14 - Season 2016

- Use GLOBAL GARDEN PRODUCT Genuine Spare Parts specified in the parts list for repair and/or replacement.
 - The contents described in the parts list may change due to improvement.
 - The drawings of the spare parts are only indicative and might not represent the part in question exactly.
 - The indications "right" - "left" - "front" - "rear" refer to the position of the operator when using the machine.
- When placing orders of parts for repair and/or replacement, make sure that the illustrated parts list is the one applying to the machine's year of manufacture, as shown on the identification plate attached to the machine.

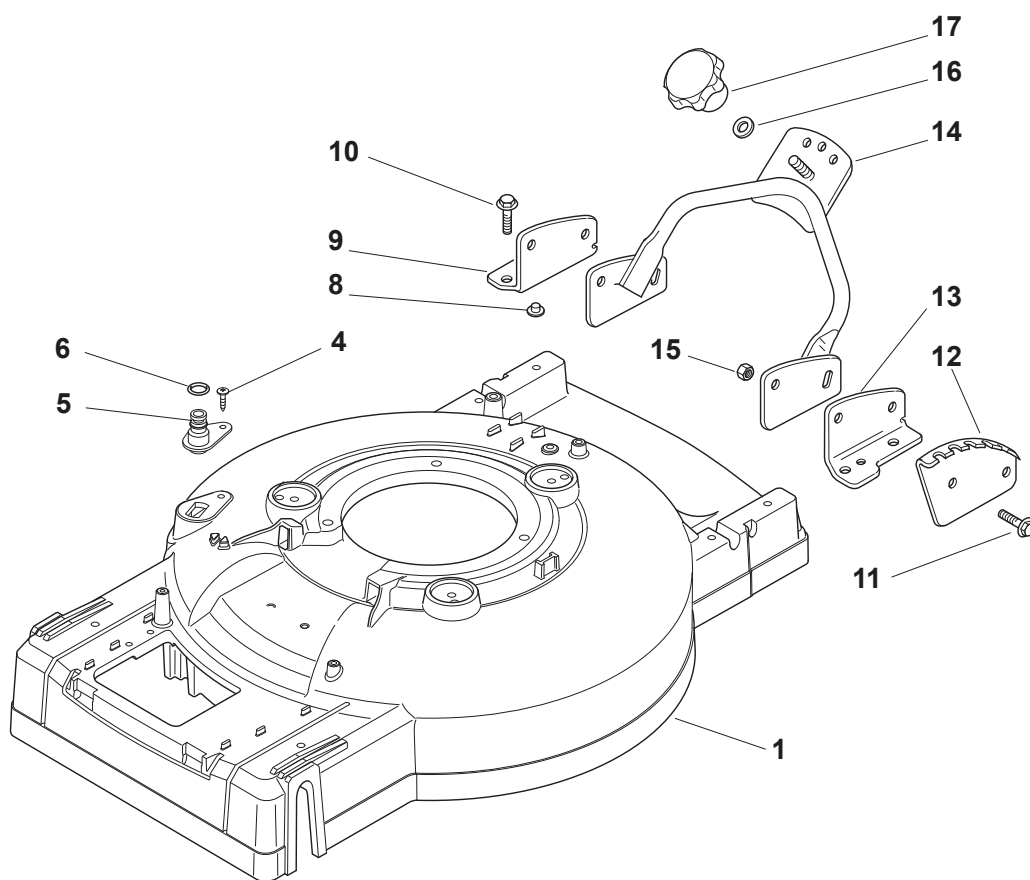
© Copyright 2016 Global Garden Products

All rights reserved. No part of this material may be reproduced or transmitted, in any form or by any means, electronic or mechanical, including photocopying, recording or by any information storage and retrieval system, without permission in writing from GLOBAL GARDEN PRODUCTS.

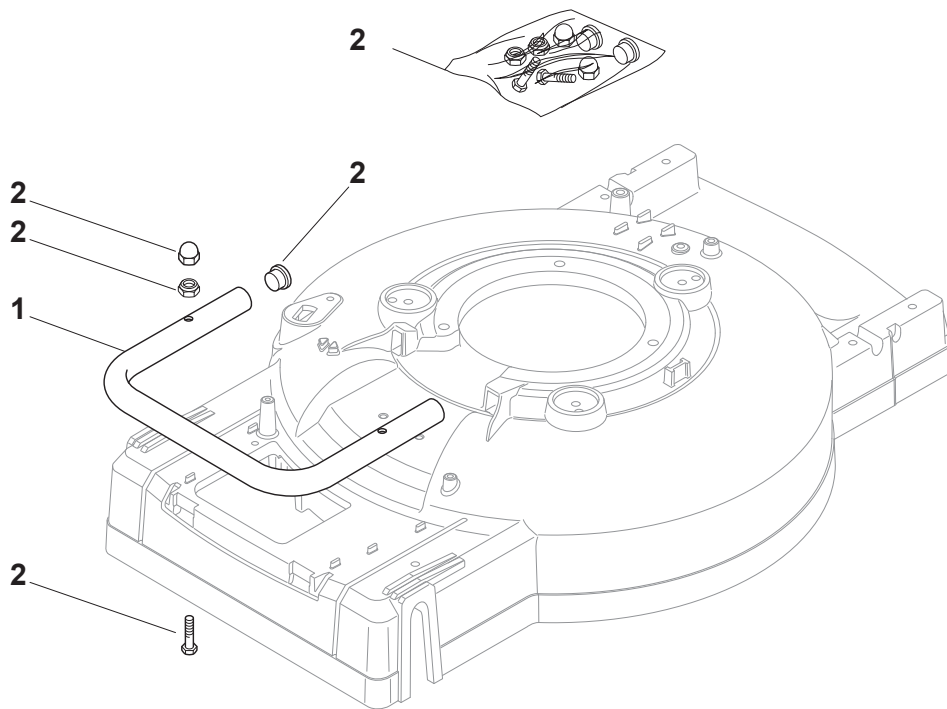
www.stiga.com



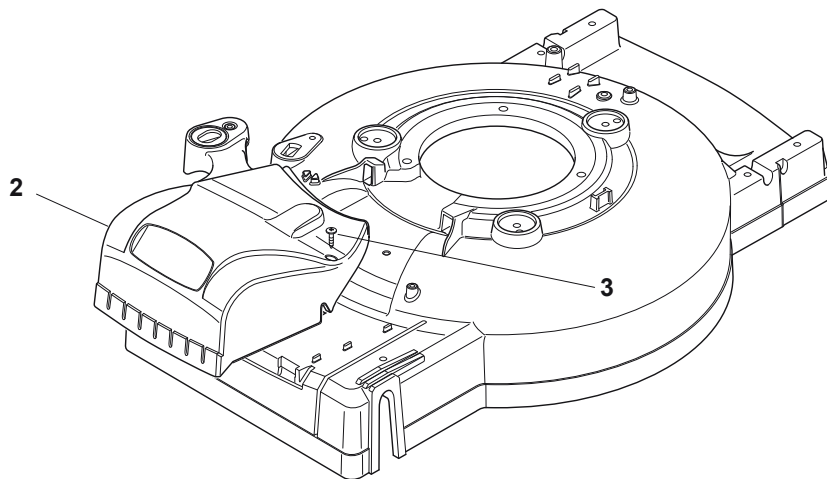
| Utgåva Issue 21 - 2016 | | Hjul och navkapsel | | Wheel and Hub Cap | |
|------------------------------|---------------|--------------------|----------------------|--------------------------|---------------------|
| Pos. Fig. | Antal Q.ty | Art nr Part No | Benämning | Description | Anmärkning Notes |
| 1 | 2 | 322545157/1 | Plat | Front Axle Plate | |
| 2 | 4 | 112735662/1 | Skruv | Screw | |
| 3 | 2 | 122671659/0 | Bricka | Washer | |
| 4 | 2 | 122430215/0 | Fjäder | Spring | |
| 5 | 2 | 112604899/0 | Starlock P6704 8 Fz | Crown Fastener | |
| 6 | 1 | 122033331/0 | Höjdinställningsspak | Wheels Control Rod | |
| 7 | 1 | 112735651/0 | Skruv | Screw | |
| 8 | 1 | 322545139/0 | Plat | Plate | |
| 9 | 1 | 122446183/0 | Fjäder | Spring | |
| 10 | 2 | 122671659/0 | Bricka | Washer | |
| 11 | 2 | 122430215/0 | Fjäder | Spring | |
| 12 | 2 | 112735661/0 | Skruv | Screw | |
| 13 | 2 | 322551529/0 | Hjulrensare | Wheels Cleaning Plate | |
| 14 | 2 | 112521330/0 | Bricka | Washer | |
| 15 | 1 | 381002835/0 | Hjulaxel-bakre | Rear Wheel Axle | |
| 16 | 1 | 112793701/0 | Skruv | Screw | |
| 17 | 1 | 122170830/0 | Distans | Spacer | |
| 18 | 1 | 381003317/0 | Höjdinställningsspak | Lever, Height Adjustment | |
| 19 | 1 | 112293201/0 | Mutter | Nut | |
| 20 | 1 | 112293200/0 | Mutter | Nut | |
| 21 | 1 | 322399812/0 | Knopp | Knob | |
| 24 | 4 | 112728210/0 | Skruv | Screw | |
| 25 | 2 | 322600129/0 | Hjulskydd | Protection, Wheel | |
| 26 | 4 | 112735661/0 | Skruv | Screw | |
| 27 | 4 | 112521330/0 | Bricka | Washer | |
| 28 | 2 | 381007367/0 | Hjul | Wheel | |
| 29 | 2 | 122570128/0 | Drev | Pinion | |
| 30 | 2 | 322120108/0 | Drev | Wheels Crown | |
| 31 | 4 | 119216038/0 | Kullager 6201-2 Rs | Bearing | |
| 32 | 2 | 112521460/0 | Bricka | Washer | |
| 33 | 2 | 112735662/1 | Skruv | Screw | |
| 34 | 4 | 322110380/0 | Navkapsel | Hub Cap Black | |
| 35 | 2 | 322600130/0 | Hjulskydd | Protection, Wheel | |
| 36 | 2 | 381007365/0 | Hjul | Wheel | |
| 37 | 4 | 119216038/0 | Kullager 6201-2 Rs | Bearing | |
| 38 | 2 | 112521460/0 | Bricka | Washer | |
| 39 | 2 | 112735662/1 | Skruv | Screw | |



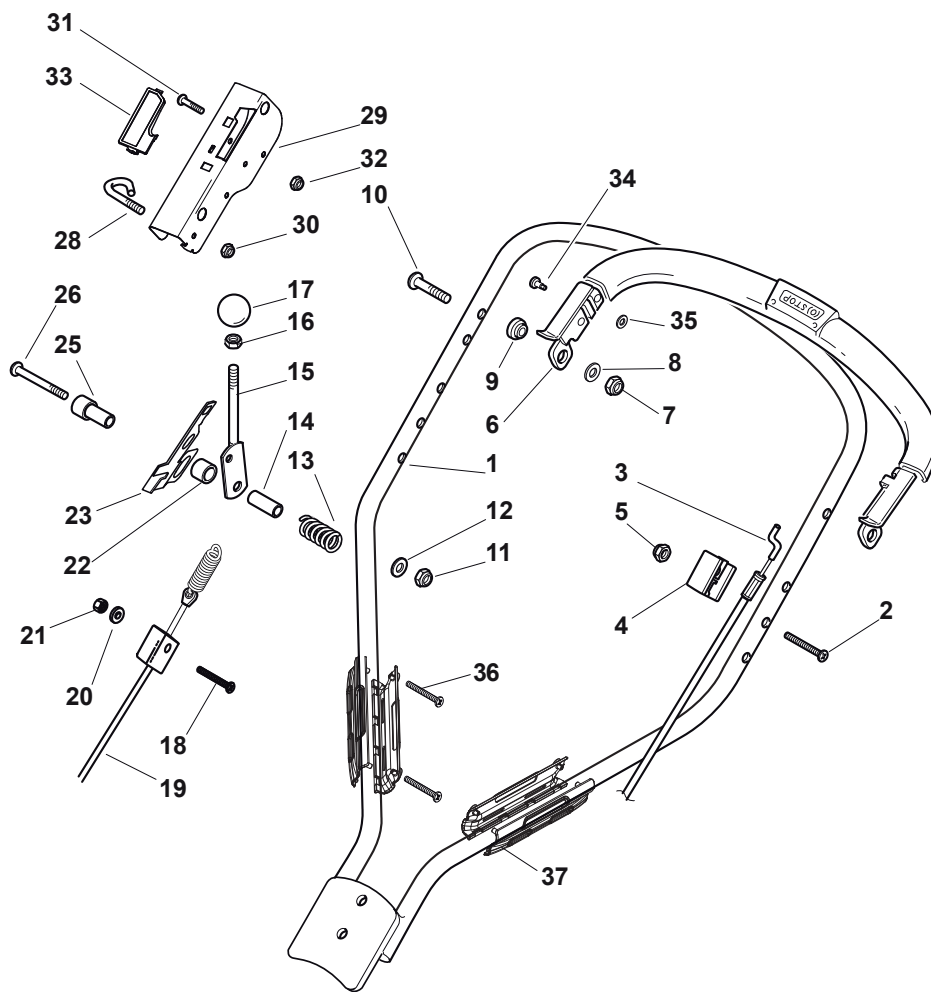
| Utgåva Issue 21 - 2016 | | Kapa/reglage, nedre Deck/Handle, Lower Part | | | |
|------------------------------|---------------|--|---------------------|---------------------------|---------------------|
| Pos. Fig. | Antal Q.ty | Art nr Part No | Benämning | Description | Anmärkning Notes |
| 1 | 1 | 381004736/0 | Chassi-gra | Grey Deck | |
| 4 | 1 | 112727802/0 | Skruv | Screw | |
| 5 | 1 | 122034000/0 | Washing Connection | Washing Connection | |
| 6 | 1 | 119035000/0 | O-Ring | Or Ring | |
| 8 | 2 | 322820054/0 | Plugg | White Cap | |
| 9 | 1 | 322778417/0 | Fäste-hö | Right Bracket | |
| 10 | 4 | 112735595/0 | Skruv | Screw | |
| 11 | 4 | 112800815/0 | Skruv | Screw | |
| 12 | 1 | 322735569/0 | Höjjustering sektor | Sector, Height Adjustment | |
| 13 | 1 | 322778415/0 | Fäste-vä | Bracket, Left | |
| 14 | 1 | 381006369/0 | Däck Nedre Kpl. Gra | Handle, Middle Part Grey | |
| 15 | 4 | 112293200/0 | Mutter | Nut | |
| 16 | 1 | 112523080/0 | Bricka | Washer | |
| 17 | 1 | 322399813/0 | Knopp | Knob | |



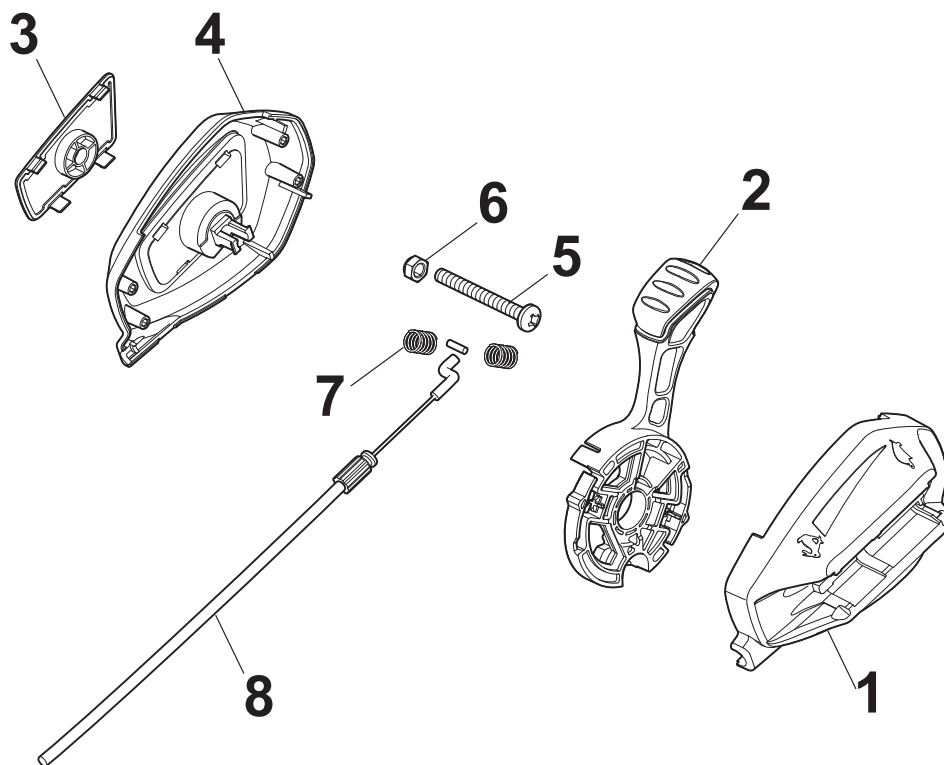
| Utgåva Issue 21 - 2016 | | Mask | | | |
|------------------------------|---------------|-------------------|-----------|----------------|---------------------|
| Pos. Fig. | Antal Q.ty | Art nr Part No | Benämning | Description | Anmärkning Notes |
| 1 | 1 | 322869713/0 | Rör | Tube | |
| 2 | 1 | 381008657/0 | Skruvsats | Outfit, Screws | |



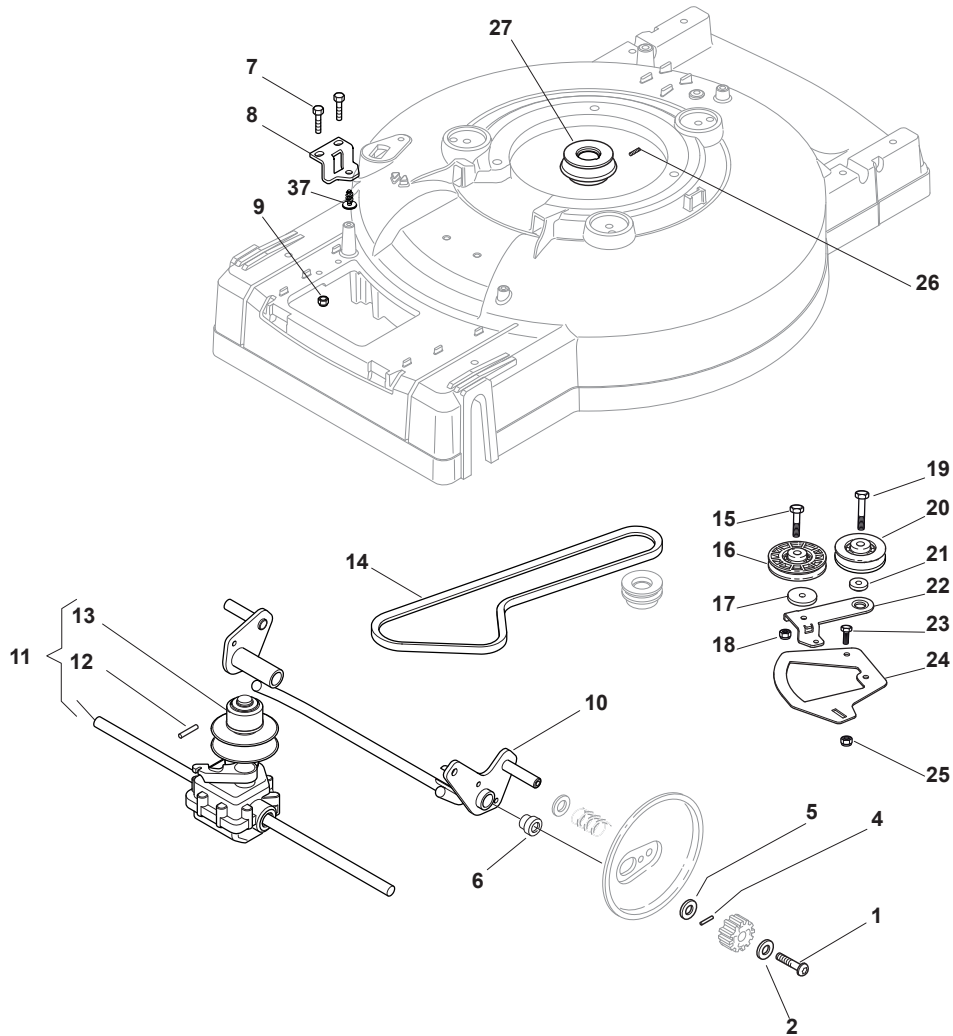
| Utgåva Issue 21 - 2016 | | Remskydd Protection, Belt | | | |
|------------------------------|---------------|------------------------------|-----------|-------------------------|---------------------|
| Pos. Fig. | Antal Q.ty | Art nr Part No | Benämning | Description | Anmärkning Notes |
| 2 | 1 | 322226198/0 | Remskydd | Protection, Belt Yellow | |
| 3 | 2 | 112728440/0 | Skruv | Screw | |



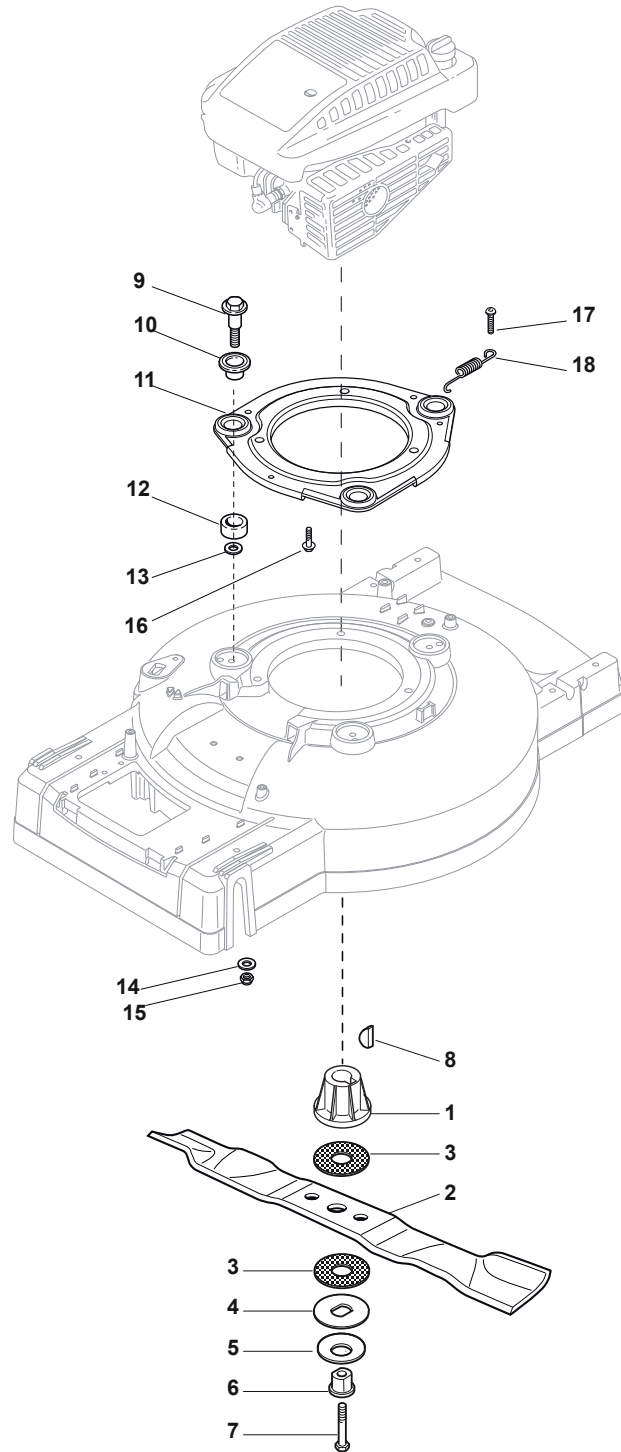
| Utgåva Issue 21 - 2016 | | Reglage, övre | | Handle, Upper Part | |
|------------------------------|---------------|-------------------|-------------------|----------------------------|-----------------------|
| Pos. Fig. | Antal Q.ty | Art nr Part No | Benämning | Description | Anmärkning Notes |
| 1 | 1 | 381006371/0 | Handtag, övre kpl | Handle, Upper Part Grey | Grey |
| 2 | 1 | 112727784/0 | Skruv | Screw | |
| 3 | 1 | 181030084/0 | Motorbromswire | Cable, Thread Engine Brake | for Stepless Variator |
| 4 | 1 | 322551639/0 | Plat | Fixed Plate | |
| 5 | 1 | 112154510/0 | Mutter | Nut | |
| 6 | 1 | 381003318/1 | Reglagebygel | Lever, Engine Brake | |
| 7 | 2 | 112154510/0 | Mutter | Nut | |
| 8 | 2 | 112521330/0 | Bricka | Washer | |
| 9 | 2 | 122671660/1 | Bricka | Washer | |
| 10 | 2 | 112727784/0 | Skruv | Screw | |
| 11 | 1 | 112154510/0 | Mutter | Nut | |
| 12 | 1 | 112521330/0 | Bricka | Washer | |
| 13 | 1 | 122450446/0 | Fjäder | Spring | |
| 14 | 1 | 122170840/0 | Distans | Spacer | |
| 15 | 1 | 381003313/0 | Spak | Driving Lever | |
| 16 | 1 | 112293200/0 | Mutter | Nut | |
| 17 | 1 | 322399812/0 | Knopp | Knob | |
| 18 | 1 | 112727791/0 | Skruv | Screw | |
| 19 | 1 | 381000745/1 | Kopplingswire | Cable Rear Drive | |
| 20 | 1 | 112521330/0 | Bricka | Washer | |
| 21 | 1 | 112154510/0 | Mutter | Nut | |
| 22 | 1 | 122170842/0 | Distans | Spacer | |
| 23 | 1 | 322551653/0 | Plat | Plate | |
| 25 | 1 | 122170843/0 | Distans | Spacer | |
| 26 | 1 | 112727786/0 | Skruv | Screw | |
| 28 | 1 | 122430314/0 | Fjäder | Starting Rope Guide Spring | |
| 29 | 1 | 381004405/0 | Panel | Dashboard | |
| 30 | 1 | 112154510/0 | Mutter | Nut | |
| 31 | 1 | 112727792/0 | Skruv | Screw | |
| 32 | 1 | 112154510/0 | Mutter | Nut | |
| 33 | 1 | 322500050/0 | Glidblock | Shoe | |
| 34 | 1 | 122524342/0 | Stift | Pin | |
| 35 | 1 | 112604897/0 | Bricka | Elastic Washer | |
| 36 | 4 | 112728701/0 | Skruv | Screw | |
| 37 | 2 | 322806645/0 | Fäste | Cable Support | |



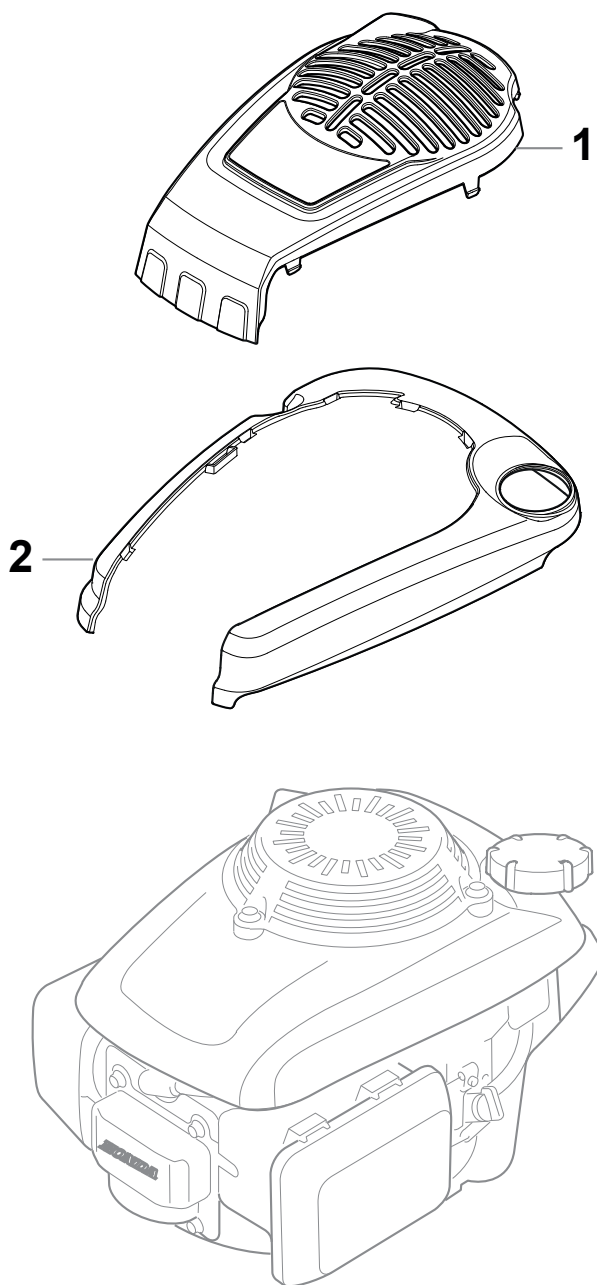
| Utgåva Issue 21 - 2016 | | Reglage Controls | | | |
|------------------------------|---------------|---------------------|---------------------|---------------------|---------------------|
| Pos. Fig. | Antal Q.ty | Art nr Part No | Benämning | Description | Anmärkning Notes |
| 1 | 1 | 322722817/0 | Front Handtag kpl | External Protection | |
| 2 | 1 | 381007227/0 | Variator Lever Assy | Variator Lever Assy | |
| 3 | 1 | 322820086/0 | Plugg | Cap | |
| 4 | 1 | 322722819/0 | Front Handtag kpl | Internal Protection | |
| 5 | 1 | 112727788/0 | Skruv | Screw | |
| 6 | 1 | 112154510/0 | Mutter | Nut | |
| 7 | 2 | 122450487/0 | Fjäder | Spring | |
| 8 | 1 | 381030114/0 | Variator Cable | Variator Cable | |



| Utgåva Issue 21 - 2016 | | Bakhjulsdrivning | | Transmission | |
|------------------------------|---------------|-------------------|--------------------|-------------------------|---------------------|
| Pos. Fig. | Antal Q.ty | Art nr Part No | Benämning | Description | Anmärkning Notes |
| 1 | 2 | 112735662/1 | Skruv | Screw | |
| 2 | 2 | 112521460/0 | Bricka | Washer | |
| 4 | 2 | 122753002/0 | Spännstift | Pin | |
| 5 | 2 | 122671661/0 | Bricka | Washer | |
| 6 | 2 | 122038406/0 | Glidlager | Bushing | |
| 7 | 2 | 112728704/0 | Skruv | Screw | |
| 8 | 1 | 322551661/0 | Plat | Plate | |
| 9 | 2 | 112154510/0 | Mutter | Nut | |
| 10 | 1 | 381002833/2 | Axel, Framhjul | Axle, Front Wheels | |
| 11 | 1 | 181003101/2 | Växellada Variator | Gear Box | |
| 12 | 1 | 112645700/0 | Spännstift | Elastic Pin | |
| 13 | 1 | 122601932/0 | Remskiva | Pulley | |
| 14 | 1 | 135064383/0 | Drivrem | Belt | |
| 15 | 1 | 112674701/0 | Skruv | Screw | |
| 16 | 1 | 122601914/0 | Remskiva | Pulley | |
| 17 | 1 | 322680009/0 | Bricka | Washer | |
| 18 | 1 | 112154510/0 | Mutter | Nut | |
| 19 | 1 | 112689500/0 | Skruv | Screw | |
| 20 | 1 | 122601915/0 | Remskiva | Pulley | |
| 21 | 1 | 122671656/0 | Bricka | Washer | |
| 22 | 1 | 322320007/0 | Spak | Lever | |
| 23 | 1 | 112791011/0 | Skruv | Screw | |
| 24 | 1 | 322806629/0 | Fäste | Pulley Lever Support | |
| 25 | 2 | 112154510/0 | Mutter | Nut | |
| 26 | 1 | 112714312/0 | Dowel | Dowel | |
| 27 | 1 | 122601920/0 | Remskiva Ø 25 | Pulley, Crankshaft Ø 25 | |
| 37 | 2 | 112728704/1 | Skruv | Screw | |



| Utgåva Issue 21 - 2016 | | Kniv Blade | | | |
|------------------------------|---------------|-------------------|---------------------|----------------------------------|---------------------|
| Pos. Fig. | Antal Q.ty | Art nr Part No | Benämning | Description | Anmärkning Notes |
| 1 | 1 | 122465632/0 | Knivfäste | Hub With Pulley, Crankshaft Ø 25 | |
| 2 | 1 | 181004139/0 | Mulcherkniv | Mulching Blade | |
| 3 | 2 | 322672110/1 | Bricka | Washer | |
| 4 | 1 | 322672105/0 | Bricka | Washer | |
| 5 | 1 | 112508120/0 | Tallriksbricka | Cup Spring | |
| 6 | 1 | 122041940/0 | Bussning | Bushing | |
| 7 | 1 | 112736850/0 | Skruv | Screw | |
| 8 | 1 | 112139150/0 | Kil D25Mm | Feather, Crankshaft Ø 25 | |
| 9 | 3 | 122524329/0 | Stift | Pin | |
| 10 | 3 | 322672201/0 | Bricka | Washer | |
| 11 | 1 | 381207225/1 | Motorinfästning Gul | Yellow Motor Flange | Yellow |
| 12 | 3 | 322250012/0 | Dämpement | No Vibrations Rubber | |
| 13 | 3 | 122671651/0 | Bricka | Washer | |
| 14 | 3 | 112521350/0 | Bricka | Washer | |
| 15 | 3 | 112155000/0 | Mutter | Nut | |
| 16 | 3 | 112735108/1 | Skruv | Screw | |
| 17 | 1 | 112729601/1 | Skruv | Screw | |
| 18 | 1 | 122450449/0 | Fjäder | Spring | model TR 4S |



| Utgåva Issue 3 - 2015 | | Motor Kapa Engine Cover | | | |
|-----------------------------|-------------------|----------------------------|-----------------------|-----------------------|---------------------|
| Pos. Fig. | Antal Quantity | Art nr Part No | Benämning | Description | Anmärkning Notes |
| 1 | 1 | 322055514/0 | Kapa grå | Grey Cover | |
| 2 | 1 | 322055515/1 | Yellow Engine Cowling | Yellow Engine Cowling | |

| code | pos. | q.ty | page | | | | | | | | | |
|-------------|------|------|-------|-------------|----|---|-------|-------------|----|---|-------|--|
| 112139150/0 | 8 | 1 | p. 17 | 122034000/0 | 5 | 1 | p. 5 | 381002835/0 | 15 | 1 | p. 3 | |
| 112154510/0 | 5 | 1 | p. 11 | 122038406/0 | 6 | 2 | p. 15 | 381003313/0 | 15 | 1 | p. 11 | |
| 112154510/0 | 6 | 1 | p. 13 | 122041940/0 | 6 | 1 | p. 17 | 381003317/0 | 18 | 1 | p. 3 | |
| 112154510/0 | 7 | 2 | p. 11 | 122170830/0 | 17 | 1 | p. 3 | 381003318/1 | 6 | 1 | p. 11 | |
| 112154510/0 | 9 | 2 | p. 15 | 122170840/0 | 14 | 1 | p. 11 | 381004405/0 | 29 | 1 | p. 11 | |
| 112154510/0 | 11 | 1 | p. 11 | 122170842/0 | 22 | 1 | p. 11 | 381004736/0 | 1 | 1 | p. 5 | |
| 112154510/0 | 18 | 1 | p. 15 | 122170843/0 | 25 | 1 | p. 11 | 381006369/0 | 14 | 1 | p. 5 | |
| 112154510/0 | 21 | 1 | p. 11 | 122430215/0 | 4 | 2 | p. 3 | 381006371/0 | 1 | 1 | p. 11 | |
| 112154510/0 | 25 | 2 | p. 15 | 122430215/0 | 11 | 2 | p. 3 | 381007112/0 | 32 | 1 | p. 15 | |
| 112154510/0 | 30 | 1 | p. 11 | 122430314/0 | 28 | 1 | p. 11 | 381007227/0 | 2 | 1 | p. 13 | |
| 112154510/0 | 32 | 1 | p. 11 | 122446183/0 | 9 | 1 | p. 3 | 381007365/0 | 36 | 2 | p. 3 | |
| 112154510/0 | 36 | 2 | p. 15 | 122450446/0 | 13 | 1 | p. 11 | 381007367/0 | 28 | 2 | p. 3 | |
| 112155000/0 | 15 | 3 | p. 17 | 122450449/0 | 18 | 1 | p. 17 | 381008657/0 | 2 | 1 | p. 7 | |
| 112293200/0 | 15 | 4 | p. 5 | 122450487/0 | 7 | 2 | p. 13 | 381030114/0 | 8 | 1 | p. 13 | |
| 112293200/0 | 16 | 1 | p. 11 | 122465632/0 | 1 | 1 | p. 17 | 381207225/1 | 11 | 1 | p. 17 | |
| 112293200/0 | 20 | 1 | p. 3 | 122524329/0 | 9 | 3 | p. 17 | | | | | |
| 112293201/0 | 19 | 1 | p. 3 | 122524342/0 | 34 | 1 | p. 11 | | | | | |
| 112508120/0 | 5 | 1 | p. 17 | 122570128/0 | 29 | 2 | p. 3 | | | | | |
| 112521330/0 | 8 | 2 | p. 11 | 122601914/0 | 16 | 1 | p. 15 | | | | | |
| 112521330/0 | 12 | 1 | p. 11 | 122601915/0 | 20 | 1 | p. 15 | | | | | |
| 112521330/0 | 14 | 2 | p. 3 | 122601920/0 | 27 | 1 | p. 15 | | | | | |
| 112521330/0 | 20 | 1 | p. 11 | 122601932/0 | 13 | 1 | p. 15 | | | | | |
| 112521330/0 | 27 | 4 | p. 3 | 122671651/0 | 13 | 3 | p. 17 | | | | | |
| 112521350/0 | 14 | 3 | p. 17 | 122671656/0 | 21 | 1 | p. 15 | | | | | |
| 112521460/0 | 2 | 2 | p. 15 | 122671659/0 | 3 | 2 | p. 3 | | | | | |
| 112521460/0 | 32 | 2 | p. 3 | 122671659/0 | 10 | 2 | p. 3 | | | | | |
| 112521460/0 | 38 | 2 | p. 3 | 122671660/1 | 9 | 2 | p. 11 | | | | | |
| 112523080/0 | 16 | 1 | p. 5 | 122671661/0 | 5 | 2 | p. 15 | | | | | |
| 112604897/0 | 35 | 1 | p. 11 | 122753002/0 | 4 | 2 | p. 15 | | | | | |
| 112604899/0 | 5 | 2 | p. 3 | 135064383/0 | 14 | 1 | p. 15 | | | | | |
| 112645700/0 | 12 | 1 | p. 15 | 181003101/2 | 11 | 1 | p. 15 | | | | | |
| 112674701/0 | 15 | 1 | p. 15 | 181004139/0 | 2 | 1 | p. 17 | | | | | |
| 112689500/0 | 19 | 1 | p. 15 | 181030084/0 | 3 | 1 | p. 11 | | | | | |
| 112714312/0 | 26 | 1 | p. 15 | 322110380/0 | 34 | 4 | p. 3 | | | | | |
| 112727784/0 | 2 | 1 | p. 11 | 322120108/0 | 30 | 2 | p. 3 | | | | | |
| 112727784/0 | 10 | 2 | p. 11 | 322226198/0 | 2 | 1 | p. 9 | | | | | |
| 112727786/0 | 26 | 1 | p. 11 | 322250012/0 | 12 | 3 | p. 17 | | | | | |
| 112727787/0 | 35 | 2 | p. 15 | 322320007/0 | 22 | 1 | p. 15 | | | | | |
| 112727788/0 | 5 | 1 | p. 13 | 322399812/0 | 17 | 1 | p. 11 | | | | | |
| 112727791/0 | 18 | 1 | p. 11 | 322399812/0 | 21 | 1 | p. 3 | | | | | |
| 112727792/0 | 31 | 1 | p. 11 | 322399813/0 | 17 | 1 | p. 5 | | | | | |
| 112727802/0 | 4 | 1 | p. 5 | 322399820/0 | 33 | 1 | p. 15 | | | | | |
| 112728210/0 | 24 | 4 | p. 3 | 322500050/0 | 33 | 1 | p. 11 | | | | | |
| 112728300/0 | 34 | 1 | p. 15 | 322545139/0 | 8 | 1 | p. 3 | | | | | |
| 112728440/0 | 3 | 2 | p. 9 | 322545157/1 | 1 | 2 | p. 3 | | | | | |
| 112728701/0 | 36 | 4 | p. 11 | 322551529/0 | 13 | 2 | p. 3 | | | | | |
| 112728704/0 | 7 | 2 | p. 15 | 322551639/0 | 4 | 1 | p. 11 | | | | | |
| 112728704/1 | 37 | 2 | p. 15 | 322551653/0 | 23 | 1 | p. 11 | | | | | |
| 112729601/1 | 17 | 1 | p. 17 | 322551661/0 | 8 | 1 | p. 15 | | | | | |
| 112735108/1 | 16 | 3 | p. 17 | 322600129/0 | 25 | 2 | p. 3 | | | | | |
| 112735595/0 | 10 | 4 | p. 5 | 322600130/0 | 35 | 2 | p. 3 | | | | | |
| 112735651/0 | 7 | 1 | p. 3 | 322672105/0 | 4 | 1 | p. 17 | | | | | |
| 112735661/0 | 12 | 2 | p. 3 | 322672110/1 | 3 | 2 | p. 17 | | | | | |
| 112735661/0 | 26 | 4 | p. 3 | 322672201/0 | 10 | 3 | p. 17 | | | | | |
| 112735662/1 | 1 | 2 | p. 15 | 322680009/0 | 17 | 1 | p. 15 | | | | | |
| 112735662/1 | 2 | 4 | p. 3 | 322722817/0 | 1 | 1 | p. 13 | | | | | |
| 112735662/1 | 33 | 2 | p. 3 | 322722819/0 | 4 | 1 | p. 13 | | | | | |
| 112735662/1 | 39 | 2 | p. 3 | 322735569/0 | 12 | 1 | p. 5 | | | | | |
| 112736850/0 | 7 | 1 | p. 17 | 322778415/0 | 13 | 1 | p. 5 | | | | | |
| 112791011/0 | 23 | 1 | p. 15 | 322778417/0 | 9 | 1 | p. 5 | | | | | |
| 112793701/0 | 16 | 1 | p. 3 | 322806629/0 | 24 | 1 | p. 15 | | | | | |
| 112800815/0 | 11 | 4 | p. 5 | 322806645/0 | 37 | 2 | p. 11 | | | | | |
| 119035000/0 | 6 | 1 | p. 5 | 322820054/0 | 8 | 2 | p. 5 | | | | | |
| 119216038/0 | 31 | 4 | p. 3 | 322820086/0 | 3 | 1 | p. 13 | | | | | |
| 119216038/0 | 37 | 4 | p. 3 | 322869713/0 | 1 | 1 | p. 7 | | | | | |
| 12203331/0 | 6 | 1 | p. 3 | 381000745/1 | 19 | 1 | p. 11 | | | | | |
| | | | | 381002833/2 | 10 | 1 | p. 15 | | | | | |