

REPAIR PARTS MANUAL
MODEL NO. 13-96K (MBA1396A)
Lawn Tractor

Mr. Bricolage

HOW TO USE THIS MANUAL

This manual is designed to provide the customer with a means to identify the parts on his/her tractor when ordering repair parts. The illustrations may or may not represent the actual assemblies; therefore, it is not recommended to use this manual as a guide to assemble or disassemble the tractor. Some hardware and parts are drawn larger in order to more readily identify them.

Each tractor has its own model number.

The model number for your tractor can be found on the fender under the seat.

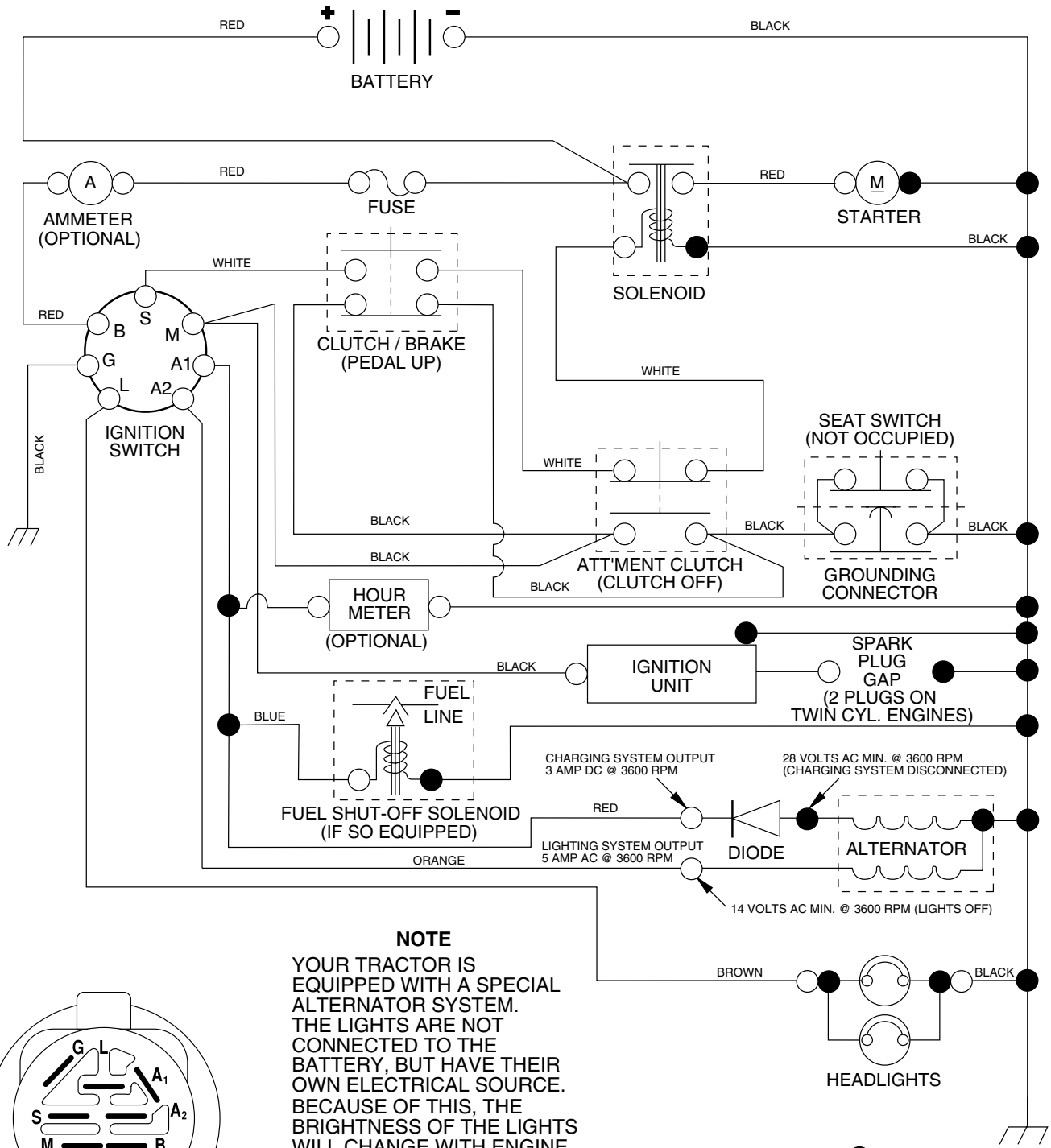
When ordering parts, always give the following information:

- Product - "Lawn Tractor"
- Model Number - 13-96K, (MBA1396A)
- Part Number
- Part Description

TABLE OF CONTENTS

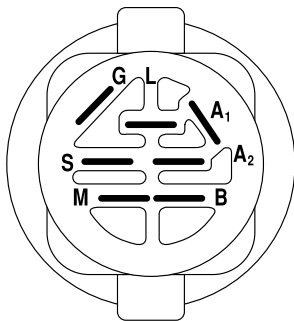
SCHEMATIC	3
ELECTRICAL	4-5
CHASSIS AND ENCLOSURES	6-7
DRIVE	8-9
SEAT	10
DECALS	11
STEERING WHEEL	12-13
ENGINE	14-15
MOWER LIFT	16-17
MOWER DECK	18-19

TRACTOR - - MODEL NO. 13-96K (MBA1396A), PRODUT NO. 964 78 21-00 SCHEMATIC



NOTE

YOUR TRACTOR IS EQUIPPED WITH A SPECIAL ALTERNATOR SYSTEM. THE LIGHTS ARE NOT CONNECTED TO THE BATTERY, BUT HAVE THEIR OWN ELECTRICAL SOURCE. BECAUSE OF THIS, THE BRIGHTNESS OF THE LIGHTS WILL CHANGE WITH ENGINE SPEED. AT IDLE THE LIGHTS WILL DIM. AS THE ENGINE IS SPEEDED UP, THE LIGHTS WILL BECOME THEIR BRIGHTEST.



IGNITION SWITCH

POSITION	CIRCUIT	"MAKE"
OFF	M+G+A1	NONE
RUN/LIGHT	B+A1	A2+L
RUN	B+A1	NONE
START	B + S + A1	NONE

WIRING INSULATED CLIPS

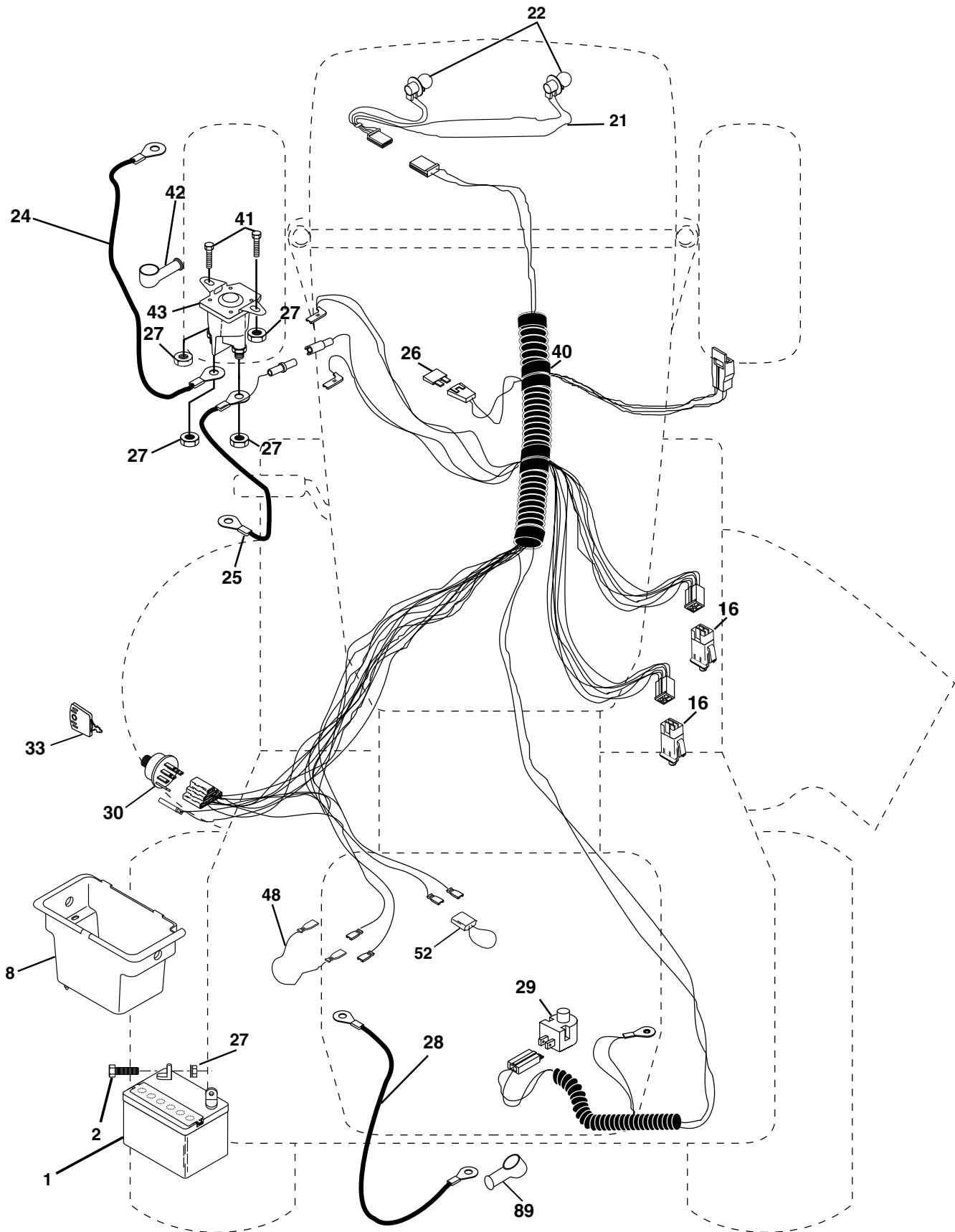
NOTE: IF WIRING INSULATED CLIPS WERE REMOVED FOR SERVICING OF UNIT, THEY SHOULD BE REPLACED TO PROPERLY SECURE YOUR WIRING.

NON-REMOVABLE CONNECTIONS

REMOVABLE CONNECTIONS

REPAIR PARTS

TRACTOR - - MODEL NO. 13-96K (MBA1396A), PRODUT NO. 964 78 21-00
ELECTRICAL



REPAIR PARTS

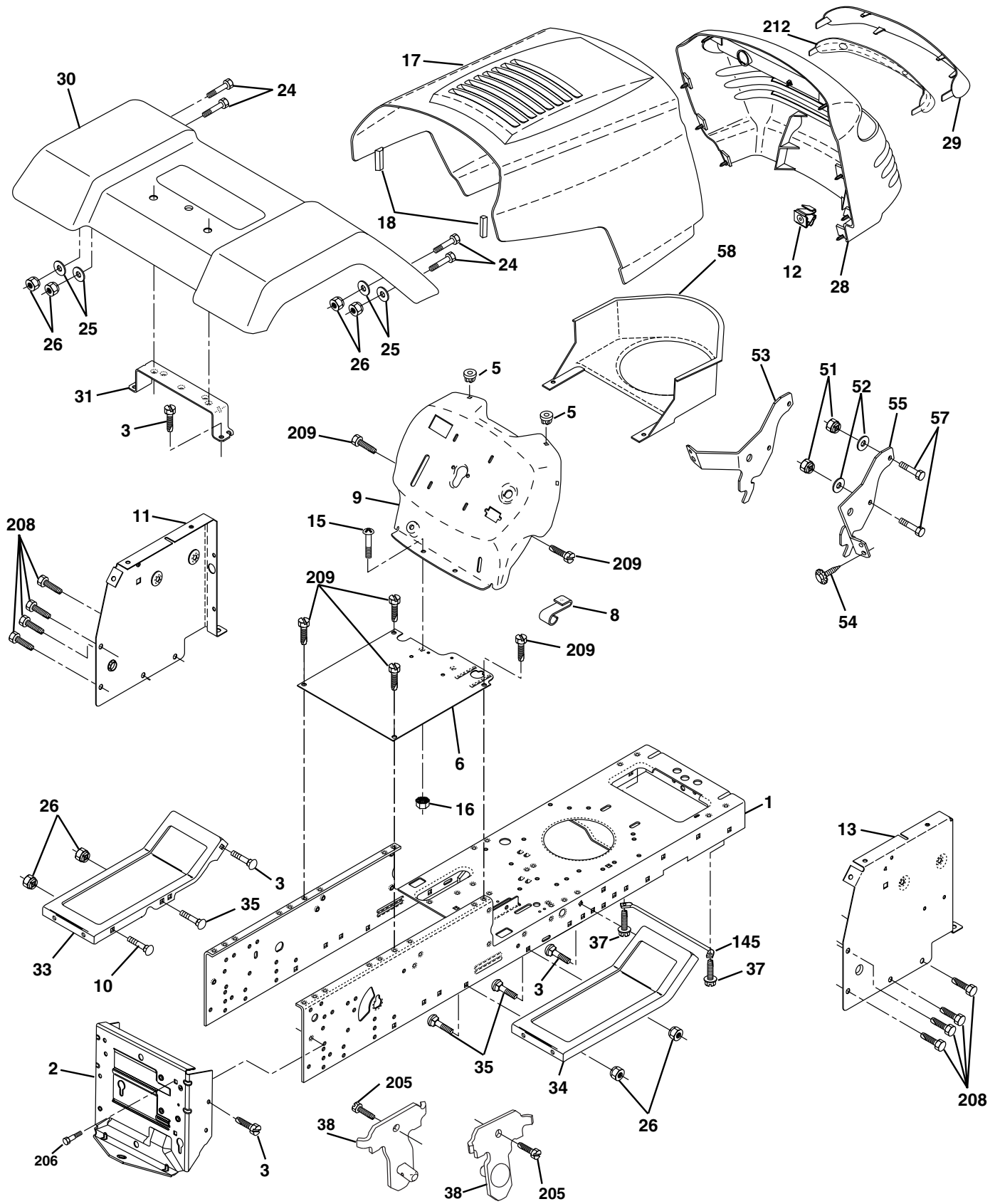
TRACTOR - - MODEL NO. 13-96K (MBA1396A), PRODUT NO. 964 78 21-00
ELECTRICAL

KEY NO.	PART NO.	DESCRIPTION
1	163465	Battery
2	74760412	Bolt Hex Hd 1/4-20unc X 3/4
8	176689	Box Battery Fender
16	176138	Switch Interlock
21	175688	Harness Asm Light W/4152j
22	4152J	Bulb Light #1156
24	4799J	Cable Battery
25	146147	Cable Battery 6 Ga 44" red
26	175158	Fuse 15. AMP
27	73510400	Nut Keps Hex 1/4-20 Unc
28	4207J	Cable Ground 6 Ga 12" black
29	121305X	Switch Plunger Nc Gray
30	175566	Switch Ign
33	140401	Key Ign
40	179720	Harness Ignition
41	71110408	Bolt Blk Fin Hex 1/4 - 20 x 1/2
42	131563	Cover Terminal Red
43	178861	Solenoid
48	140844	Adapter Ammeter
52	141940	Protection Wire Loop
89	180449	Cover Terminal Battery

NOTE: All component dimensions give in U.S. inches
1 inch = 25.4 mm.

REPAIR PARTS

TRACTOR - - MODEL NO. 13-96K (MBA1396A), PRODUT NO. 964 78 21-00
CHASSIS AND ENCLOSURES



REPAIR PARTS

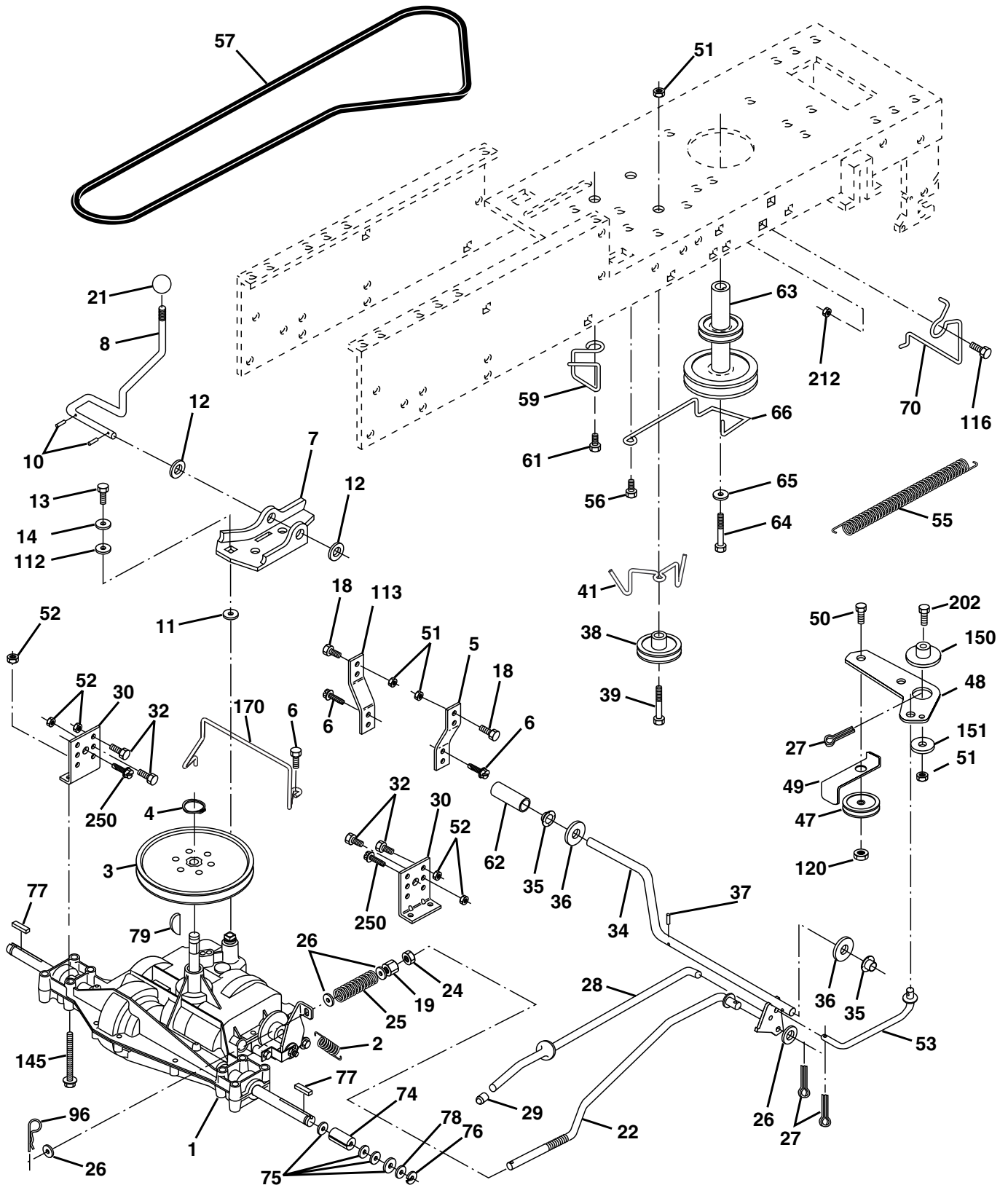
TRACTOR - - MODEL NO. 13-96K (MBA1396A), PRODUT NO. 964 78 21-00 CHASSIS AND ENCLOSURES

KEY NO.	PART NO.	DESCRIPTION
1	174620	Chassis
2	176554	Drawbar
3	17060612	Screw, 3/8-16 x 3/4 SMGML Tap/R
5	155272	Bumper Hood/Dash
6	174643X013	Saddle Flat
8	155138	Clip Retainer Slide-On
9	168347X011	Dash P/L
10	72140608	Bolt, Rdhd Sqnk 3/8-16 x 1
11	155927	Panel Asm. Dash LH
12	145660	Clip Tinnerman Grille P/L
13	172107X010	Dash, Panel RH
15	74180512	Screw Mach. Trhd 5/16-18 UNC x 3/4
16	73510500	Nut Keps 5/16-18 UNC
17	159639X558	Hood Pnt Stl PL
18	126938X	Bumper Hood
24	74780616	Bolt, Hex , Fin. 3/8-16UNC x 1 Gr. 5
25	19131312	Washer 13/32 x 13/16 x 12 Gauge
26	73800600	Nut Lock Hex w/Ins. 3/8-16 Unc
28	179777	Grille/Lens Asm.
29	150209X599	Lens Grille
30	169465X558	Fender Pnt
31	136619	Bracket Fender
33	179716X558	Footrest Pnt., LH
34	179717X558	Footrest Pnt., RH
35	72110606	Bolt Rdhd Sht. Sqnk 3/8-16 X 3/4
37	17490508	Screw Thdrol 5/16-18 x 1/2 Tyt
38	175710	Bracket Asm Pivot Mower Rear
51	73800400	Nut Lock Hex W/Ins 1/4-20
52	19091416	Washer 9/32 x 7/8 x 16 Ga.
53	144697	Bracket, Grille LH
54	161464	Screw Hex WSHD 8-18 x 7/8
55	144696	Bracket Grille RH
57	74780412	Bolt Fin Hex 1/4-20 x 3/4
58	150127	Duct Air Engine
145	156524	Rod Pivot Chassis/Hood
205	17490608	Screw Thdrol 3/8-16 x 1/2
206	170165	Bolt Shoulder 5/16-18
208	17670608	Screw Thdrol 3/8-16 x 1/2
209	17000612	Screw Hex Wsh Thdr 3/8-16 x 3/4
212	156494	Insert Lens Reflect
--	5479J	Plug Btn Blk .359 Dia Ch/Inf

NOTE: All component dimensions given in U.S. inches
1 inch = 25.4 mm

REPAIR PARTS

TRACTOR - - MODEL NO. 13-96K (MBA1396A), PRODUCT NO. 964 78 21-00
DRIVE



REPAIR PARTS

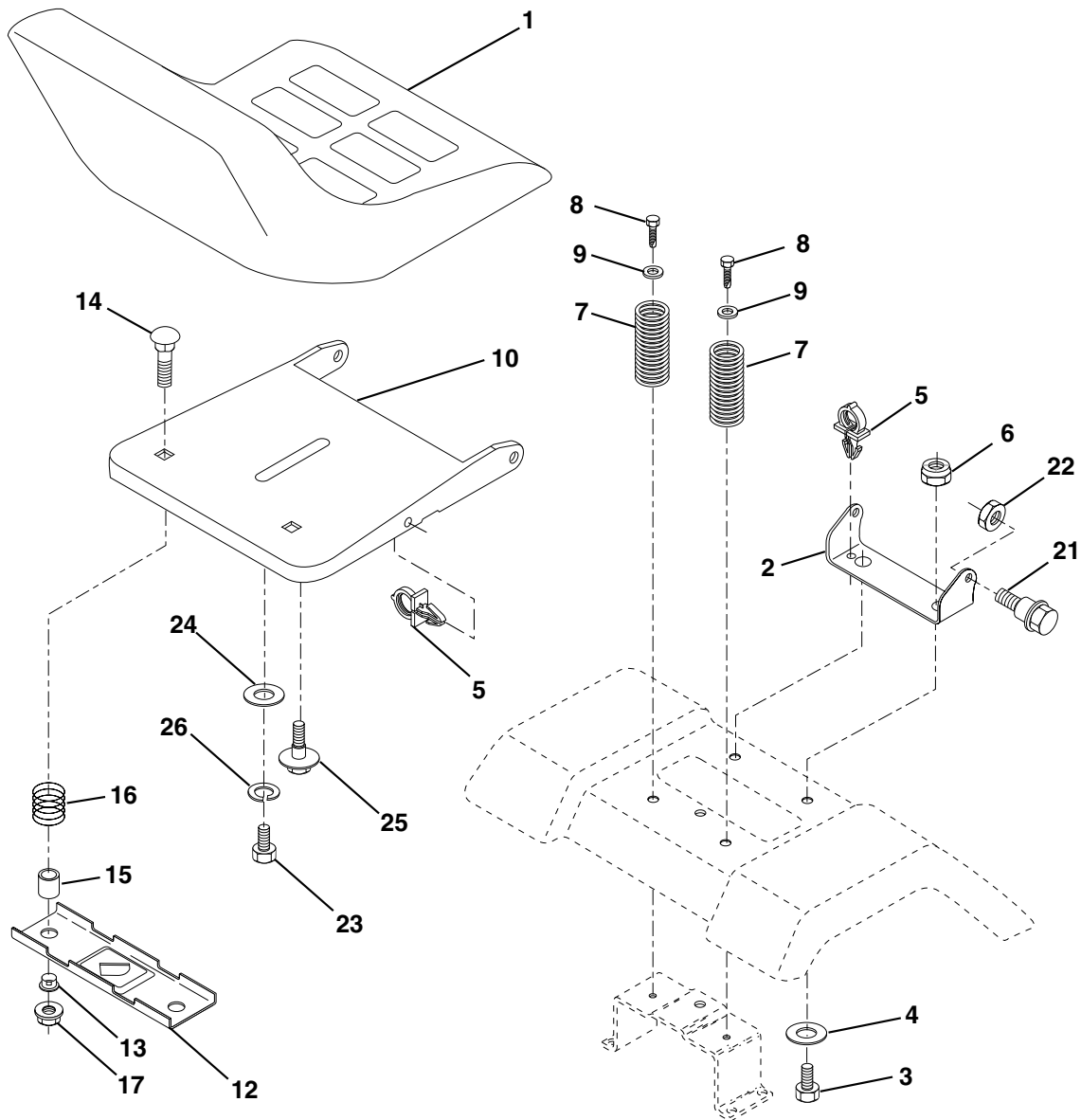
TRACTOR - - MODEL NO. 13-96K (MBA1396A), PRODUT NO. 964 78 21-00
DRIVE

KEY NO.	PART NO.	DESCRIPTION	KEY NO.	PART NO.	DESCRIPTION
1	-----	Transaxle (See Breakdown) Peerless, Model 205-544C Order parts from transaxle manufacturer	49	123205X	Retainer, Belt
2	146682	Spring, Brake Return	50	74760624	Bolt, Hex 3/8-16 x 1-1/2
3	123666X	Pulley, Transaxle	51	73680600	Nut, Crownlock 3/8-16
4	12000028	Ring, Retainer	52	73680500	Nut, Crownlock 5/16-18
5	121520X	Strap, Torque	53	105710X	Link, Clutch
6	17060512	Screw, 5/16-18 x 3/4 SMGML	55	105709X	Spring, Return, Clutch
7	162240	Bracket, T/A, Saddle Shift	56	17060620	Screw 3/8-16 x 1-1/4
8	131679	Rod, Shifter	57	130801	V-Belt, Drive
10	76020416	Pin, Cotter 1/8 x 1	59	169691	Keeper Belt Center Span
11	105701X	Washer, Shift Plate	61	17120614	Screw 3/8-16 x .875
12	19151216	Washer 15/32 x 3/4 x 16	62	8883R	Cover, Foot Pedal
13	74550412	Bolt 1/4-28 UNF Gr. 8 w/Patch	63	175410	Pulley, Engine
14	10040400	Washer Lock	64	71170764	Bolt, Hex 7/16-20 x 4 Gr. 5
18	74780616	Bolt, Fin Hex 3/8-16 Unc x 1 Gr. 5	65	10040700	Washer, Lock Hvy Hlcl Spr 7/16
19	73800600	Locknut 3/8-16	66	154778	Keeper, Belt Engine F-Proof
21	106933X	Knob	70	134683	Guide Belt Mower Drive RH
22	130804	Rod, Brake	74	137057	Spacer, Split
24	73350600	Nut, Hex Jam 3/8-16	75	121749X	Washer 25/32 x 1-1/4 x 16 Ga.
25	106888X	Spring, Rod, Brake	76	12000001	E-Ring
26	19131316	Washer 13/32 x 13/16 x 16 Gauge	77	123583X	Key Square
27	76020412	Pin, Cotter 1/8 x 3/4	78	121748X	Washer 25/32 x 1-5/8 x 16 Ga.
28	175765	Rod, Brake, Park	79	2228M	Key Woodruff #9 3/16 x 3/4
29	71673	Cap, Plunger	96	4497H	Retainer Spring 1" Ziinc/Cad
30	174973	Bracket, Transaxle	112	19091210	Washer 9/32 x 3/4 x 10 Ga.
32	74760512	Bolt Hex Hd 5/16-18 UNC x 3/4	113	127285X	Strap Torque L.H. Lt
34	175578	Shaft, Foot Pedal	116	72140608	Bolt, RdHd Sq Neck 3/8-16 x 1.25
35	120183X	Bearing Nylon	120	73900600	Nut Lock flange 3/8-16
36	19211616	Washer 21/32 x 1 x 16 Gauge	145	74490540	Bolt, Hex Flghd 5/16-18 Gr. 5
37	1572H	Pin, Roll 3/16 x 1	150	175456	Spacer, Retainer
38	179114	Idler, Flat	151	19133210	Washer 13/32 x 2 x 10 Ga.
39	74760648	Bolt, RDHD 3/8-16 x 3	170	178394	Keeper, Belt, Transaxle GD.
41	175556	Keeper, Belt	202	72110614	Bolt Carr Sh 3/8-16 x 1-3/4 Gr. 5
47	127783	Pulley, Idler	212	145212	Nut Hex Flange Lock 3/4
48	154407	Bellcrank Asm Clutch	250	17060612	Screw, 3/8-16 x 3/4 SMGML

NOTE: All component dimensions give in U.S. inches.
1 inch = 25.4 mm.

REPAIR PARTS

TRACTOR - - MODEL NO. 13-96K (MBA1396A), PRODUT NO. 964 78 21-00
SEAT



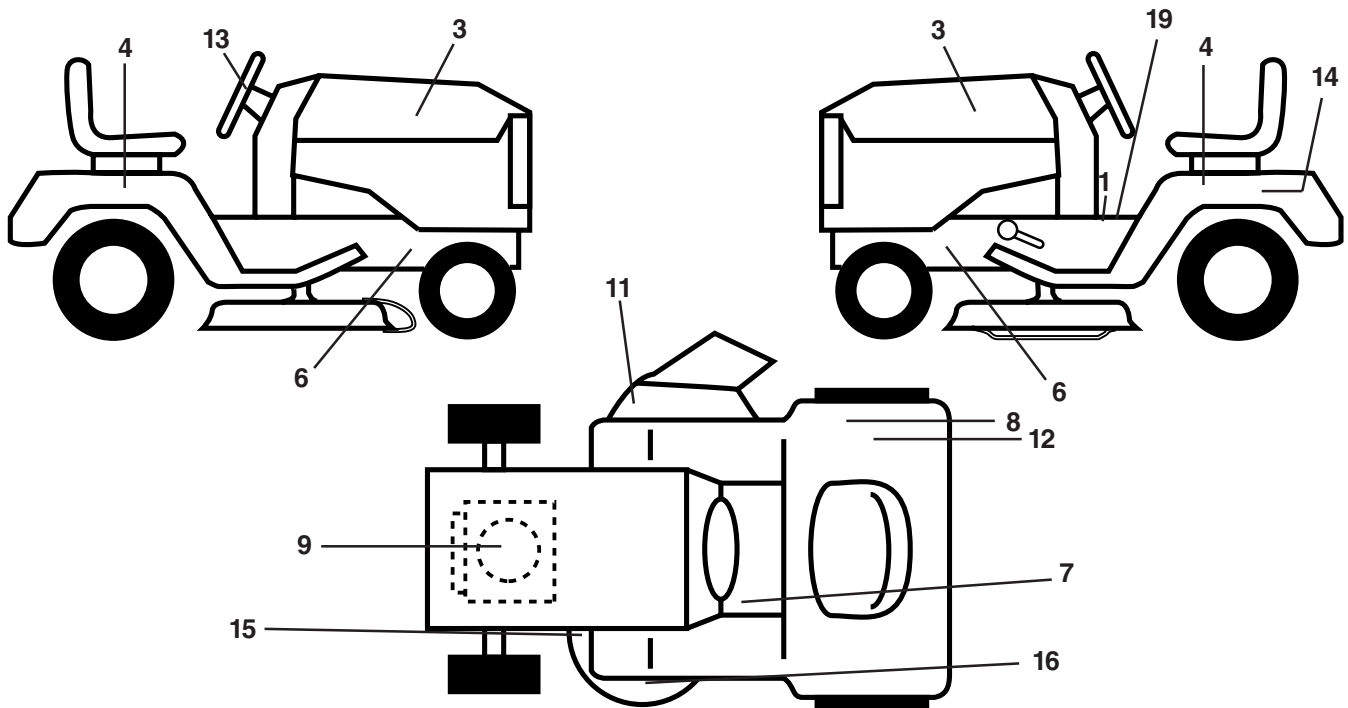
KEY NO.	PART NO.	DESCRIPTION
1	175389	Seat
2	140551	Bracket, Pivot, Seat
3	71110616	Fin Hex 3/8-16 unc x 1
4	19131610	Washer 13/32 x 1 x 10 Ga.
5	145006	Clip, Push-in
6	73800600	Nut
7	124181X	Spring, Seat
8	17000616	Screw, 3/8-16 x 1.5 SMGML Tap/R
9	19131614	Washer 13/32 x 1 x 14 Ga.
10	174894	Pan, Seat
12	121246X	Bracket, Mounting, Switch, Seat
13	121248X	Bushing, Nylon

KEY NO.	PART NO.	DESCRIPTION
14	72050412	Nut, Crownlock 1/4-20 x 1-3/8
15	134300	Spacer, Split
16	121250X	Spring
17	123976X	Nut, Lock, Flange 1/4 Gr. 5
21	171852	Bolt, Shoulder 5/16-18 UNC-2A
22	73800500	Nut
23	71110814	Bolt Hex
24	19171912	Washer 17/32 x 1-3/16 x 12 Ga.
25	127018X	Bolt Shoulder 5/16-18 x .62
26	10040800	Washer Lock Hvy Hclc Spr 1/2

NOTE: All component dimensions given in U.S. inches
1 inch = 25.4 mm

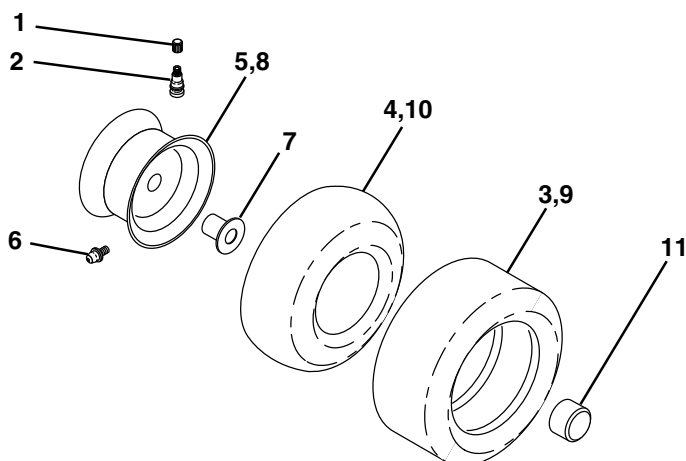
REPAIR PARTS

TRACTOR - - MODEL NO. 13-96K (MBA1396A), PRODUT NO. 964 78 21-00
DECALS



KEY NO.	PART NO.	DESCRIPTION	KEY NO.	PART NO.	DESCRIPTION
1	145498	Decal, Instruction, Operation	14	145005	Decal, Btry Dngr/Psn P/L Sym
3	171668	Decal, Hood	15	136832	Decal, V-Belt
4	175806	Decal, Fender	16	135013	Decal, Deck
6	159736	Decal, Chassis Hot Muffler	19	140837	Decal, Parking Brake
7	159737	Decal, Brake/Clutch Symbol LT	--	138311	Decal, Handle, Lift, Height Adjust (Lift Handle)
8	145437	Decal, Europe Stand CE	--	162598	Decal, Drawbar Load Limit
9	176393	Decal, HP Engine	--	180968	Manual, (Euro) Operator's
11	145494	Decal, Mower Cutting Finger Symbol	--	180969	Manual, Repair Parts
12	126187X	Decal 100 DBA			
13	167970	Decal, Wheel Steering			

TIRES AND WHEELS

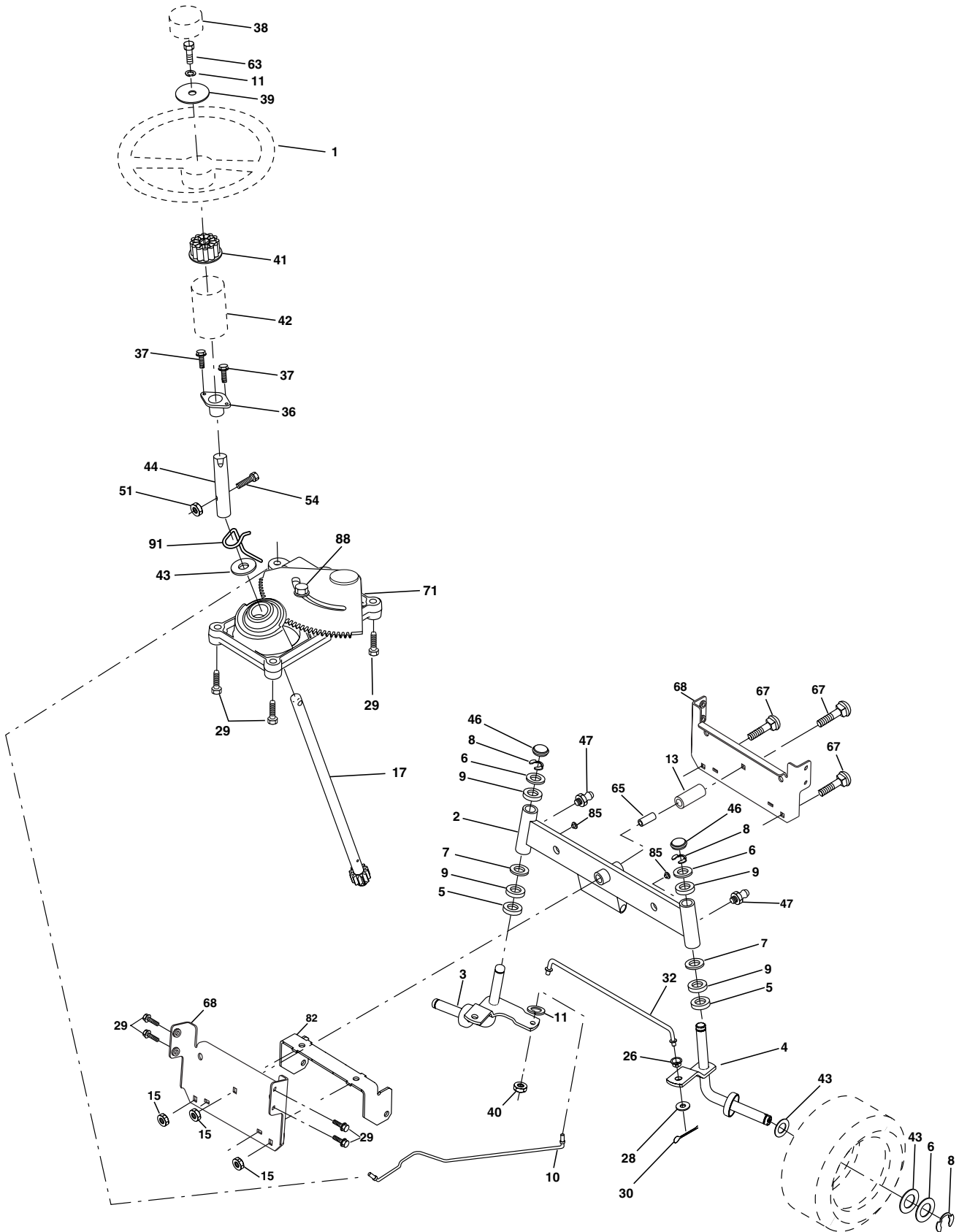


KEY NO.	PART NO.	DESCRIPTION
1	59192	Cap, Valve
2	65139	Stem, Valve
3	106222X	Tire Front
4	59904	Tube, Front (not furnished)
5	106732X427	Rim, Asm. Front
6	278H	Grease Fitting (rear tire only)
7	9040H	Bearing, Flange (front tire only)
8	106108X427	Rim, Asm. Rear
9	124635X	Tire, Rear
10	7152J	Tube, Rear (not furnished)
11	104757X	Cap, Axle
--	144334	Sealant, Tire (10 oz. Tube)

NOTE: All component dimensions given in U.S. inches
1 inch = 25.4 mm

REPAIR PARTS

TRACTOR - - MODEL NO. 13-96K (MBA1396A), PRODUT NO. 964 78 21-00
STEERING WHEEL



REPAIR PARTS

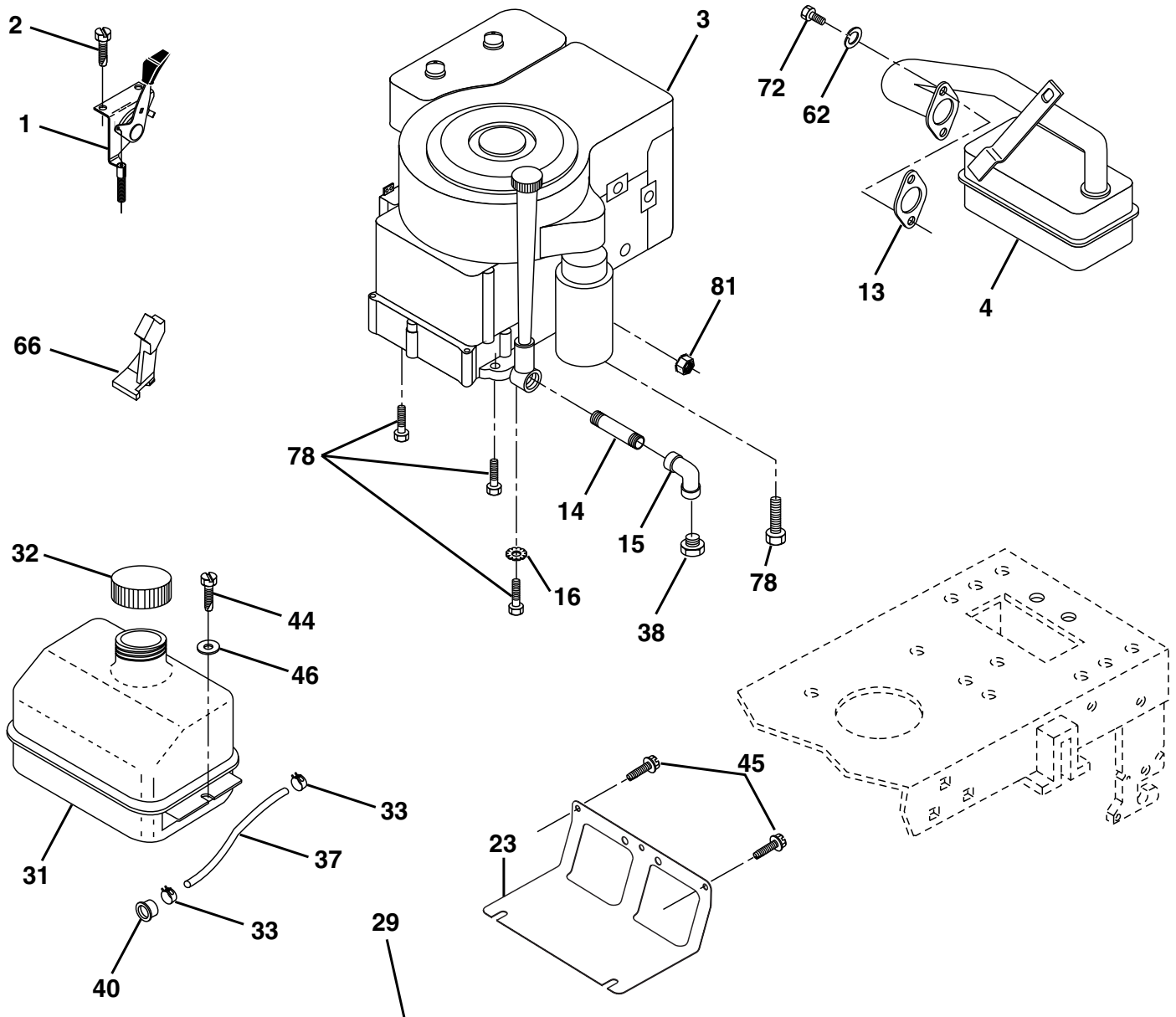
TRACTOR - - MODEL NO. 13-96K (MBA1396A), PRODUT NO. 964 78 21-00
STEERING WHEEL

KEY NO.	PART NO.	DESCRIPTION
1	139768	Wheel Steering
2	175131	Axle Asm Front
3	169840	Spindle Asm LH
4	169839	Spindle Asm RH
5	6266H	Bearing, Race, Thrust Hardened
6	121748X	Washer 25/32 X 1-5/8 X 16 Ga
7	19272016	Washer 27/32 X 1-1/4 X 16 Ga
8	12000029	Ring Klip
9	3366R	Bearing
10	175121	Link Drag
11	10040600	Washer Lock Hvy Hlcl Spr 3/8
13	136518	Spacer Brg. Axle Front
15	145212	Nut Hexflange Lock
17	177876	Steering, Assembly Shaft
26	126847X	Bushing Link Drag Blk Lr
28	19131416	Washer 13/32 x 7/8 x 16 Ga.
29	17060612	Screw 3/8-16x3/4 SMGML Tap/R
30	76020412	Pin Cotter 1/8 x 3/4 CAD
32	130465	Rod Connecting
36	155099	Bushing Steering
37	152927	Screw TT #10-32 X 5 x 3/8 Flange
38	140175	Cap Wheel Steering
39	19183812	Washer 9/16ID x 2-3/8OD x 12 G. Zin
40	7810H	Nut Lock Center 3/8-24 Unf
41	100711L	Adapter Wheel Strg
42	145054X428	Boot Steering
43	121749X	Washer 25/32 X 1 1/4 X 16 Ga
44	153720	Extension Steering
46	121232X	Cap Spindle
47	6855M	Fitting Grease
51	73800500	Nut Lock Hex W/Ins. 5/16-18 Unc P
54	74780520	Bolt Hex 5/16-18unc x 1-1/4
63	74780616	Bolt Fin Hex 3/8-16unc x 1 Gr. 5
65	160367	Spacer Brace Axle
67	72140618	Bolt RDHD SQ 3/8-16UNC x 2-1/4
68	169827	Brace Axle
71	175146	Steering Asm.
82	169835	Bracket Susp. Chassis Front
85	133835	Fastener Christmas Tree
88	175118	Bolt Shoulder
91	175553	Clip Steering

NOTE: All component dimensions given in U.S. inches
1 inch = 25.4 mm

REPAIR PARTS

TRACTOR - - MODEL NO. 13-96K (MBA1396A), PRODUCT NO. 964 78 21-00
ENGINE



OPTIONAL EQUIPMENT
Spark Arrester

REPAIR PARTS

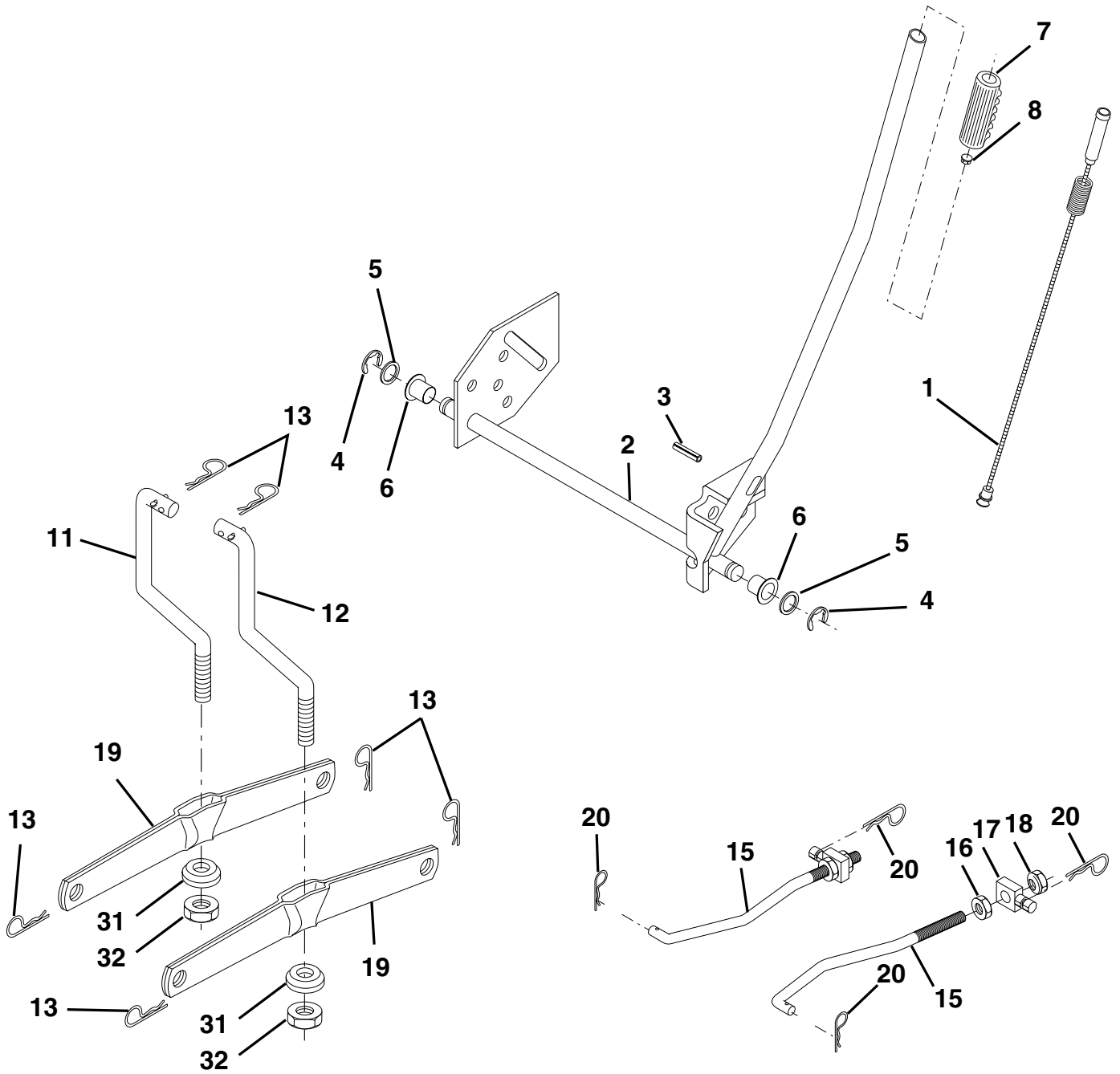
TRACTOR - - MODEL NO. 13-96K (MBA1396A), PRODUT NO. 964 78 21-00
ENGINE

KEY NO.	PART NO.	DESCRIPTION
1	170865	Control Th/ch
2	17720408	Screw Hex Thd Cut 1/4-20x5/8 T
3	-----	Engine, Briggs & Stratton Model No. 28R707 (Order parts from engine manufacturer)
4	137348	Muffler
13	165291	Gasket
14	13280324	Nipple Pipe 3/8 NPT x 3"
15	13200300	Elbow
16	11050600	Washer Lock Ext Tooth 3/8
23	169837	Shield BRN/DBR Guard
29	137180	Kit Spark Arrestor (Flat Scrn)
31	109202X	Tank Fuel Front
32	140527	Cap Asm Fuel
33	123487X	Clamp Hose Blk
37	137040	Line Fuel
38	-----	Plug Drain Oil (Order parts from engine manufacturer)
40	124028X	Bushing Snap Nyl Blk Fuel Line
44	17670412	Screw Hexwsh Thdrol 1/4-20x3/4
45	17000612	Screw Hex Wsh Thdrol 3/8-16
46	19091416	Washer 9/32 X 7/8 X 16 Ga
62	10040500	Washer 5/16
66	127951	Stop throttle 3000 RPM
72	71070512	Screw Hex HD Cap 5/16-18 x 3/4
78	17060620	Screw 3/8-16x1-1/4 SMGML Tap/R
81	73510400	Nut Keps Hex 1/4-20 UNC

NOTE: All component dimensions given in U.S. inches.
1 inch = 25.4 mm.

REPAIR PARTS

TRACTOR - - MODEL NO. 13-96K (MBA1396A), PRODUT NO. 964 78 21-00
MOWER LIFT



REPAIR PARTS

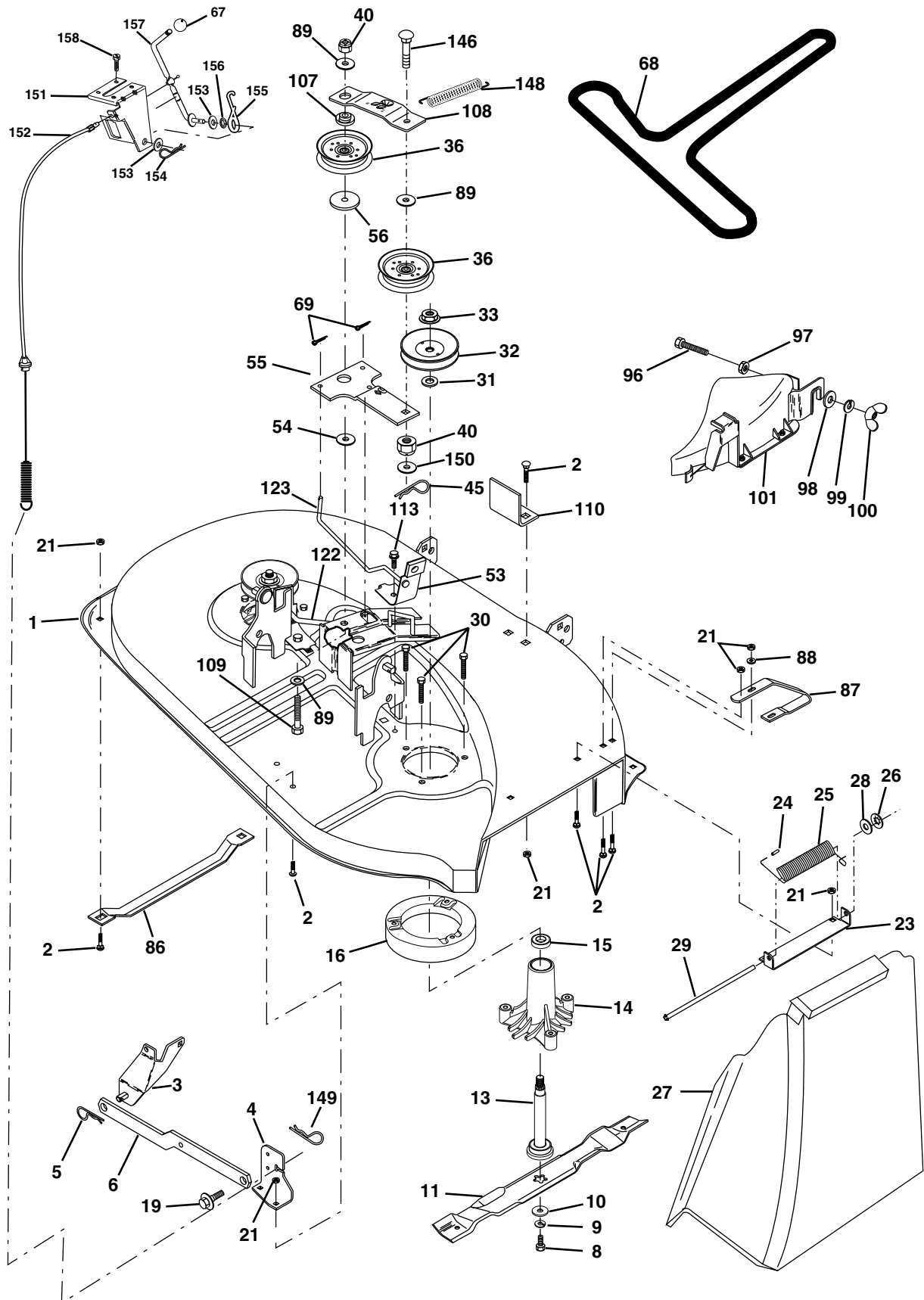
TRACTOR - - MODEL NO. 13-96K (MBA1396A), PRODUT NO. 964 78 21-00
MOWER LIFT

KEY NO.	PART NO.	DESCRIPTION
1	159460	Wire Asm. Inner/Sprg w/Plunger
2	159471	Shaft, Asm., Lift R/H
3	105767X	Pin, Groove
4	12000002	Ring, E #5133-62
5	19211621	Washer 21/32 x 1 x 21 Ga.
6	120183X	Bearing, Nylon
7	109413X	Grip Handle Bicycle Matte Blk
8	124526X	Button, Plunger
11	139865	Link, Lift, Lh
12	139866	Link, Lift, Rh
13	4939M	Spring, Retainer
15	173288	Link, Front
16	73350800	Nut, Jam, Hex 1/2-13 Unc
17	175689	Trunnion
18	73800800	Nut, Lock w/Wsh 1/2-13 Unc
19	139868	Arm, Suspension, Rear
20	163552	Spring, Retainer Zinc
31	169865	Bearing, Pvt Lft
32	73540600	Nut Crownlock 3/8-24

NOTE: All component dimensions given in U.S. inches
1 inch = 25.4 mm

REPAIR PARTS

TRACTOR - - MODEL NO. 13-96K (MBA1396A), PRODUCT NO. 964 78 21-00
MOWER DECK



REPAIR PARTS

TRACTOR - - MODEL NO. 13-96K (MBA1396A), PRODUT NO. 964 78 21-00
MOWER DECK

KEY NO.	PART NO.	DESCRIPTION	KEY NO.	PART NO.	DESCRIPTION
1	170280	Deck Asm Weldment	86	7631J	Runner, LH
2	72140506	Bolt	87	128772	Runner, RH
3	138017	Asm., Bar, Anti-Sway	88	19111216	Washer 11/32 x 3/4 x 16 Ga.
4	169970	Bracket Sway Bar Deck 38/42"	89	19131612	Washer 13/32 x 1 x 12 Ga.
5	4939M	Spring, Retainer	96	74930620	Bolt 3/8-16 x 1-1/4 Mulcher
6	178024	Bar Sway Deck	97	73930600	Nut Centerlock 3/8-16 Unc
8	850857	Bolt 3/8-24 x 1.25 Gr. 8	98	19132016	Washer 13/32 x 1-1/4 x 16 Ga.
9	10030600	Washer, Lock	99	10040600	Washer Lock HLCL Spr. 3/8
10	140296	Washer, Hardened	100	135651	Nut Wing
11	138497	Blade, Mower, Hi Lift	101	132803	Cover Asm. Mulching 38"
--	134148	Blade Mulching 38"	107	133502	Retainer
13	137645	Asm., Shaft, Mandrel, Vented	108	133503	Stiffener, Idler Arm
14	128774	Housing, Mandrel, Vented	109	74760640	Bolt, hex Head 3/8-16 x 2-1/2
15	110485X	Bearing, Ball, Mandrel	110	142587	Upstop Deck Front 38"
16	174493	Stripper, Mower	113	17060512	Screw, 5/16-18 x 3/4
19	132827	Bolt, Shoulder	122	131289	Rod, Brake, LH
21	73680500	Nut, Crownlock 5/16 - 18 UNC	123	169971	Rod, Brake, RH
23	137607	Bracket, Deflector	146	165891	Bolt Carriage Idler
24	105304X	Cap, Sleeve	148	169022	Spring Return Idler
25	123713X	Spring, Torsion, Deflector	149	165898	Retainer Spring Yellow Zinc
26	110452X	Washer, Lock	150	19091216	Washer 9/32 x 3/4 x 16 Ga.
27	106736X428	Deflector, Shield	151	169670	Bracket Clutch Cable
28	19111016	Washer 1 1/32 x 5/8 x 16 Ga.	152	172758	Clutch Cable 38"/42"
29	106735X	Rod, Hinge	153	169674	Washer Flat 3/8" Type B
30	173984	Screw Hex Thdrol	154	169675	Spring Retainer
31	129963	Washer, Spacer	155	169671	Spring Retention Lvr Cltch Cab
32	153532	Pulley, Mandrel	156	169672	Spacer Clutch Cable 3/8"
33	178342	Nut Flange Top Lock	157	169669	Rod Clutch Cable 3/8"
36	131494	Pulley, Idler, Flat	158	17720408	Screw Hex Thd Cut 1/4-20 x 1/2
40	73680600	Nut, Crownlock 3/8 - 16 UNC	--	130794	Asm. Mandrel (includes Housing, Shaft and Shaft Hardware Only - Pulley Not Included)
45	4497H	Retainer Spring 1: Zinc/Cad	--	180874	Replacement Mower, Complete
53	130840	Brake Assembly			
54	133943	Washer, Hardened			
55	133840	Arm, Idler Assembly			
56	165723	Spacer, Retainer			
67	106932X	Knob Rd 3/8-16 Plstc Thds Blk			
68	144200	V-Belt, Mower			
69	76020312	Pin, Cotter 3/32 x 3/4			

NOTE: All component dimensions given in U.S. inches
1 inch = 25.4 mm

SERVICE NOTES

SERVICE NOTES

SERVICE NOTES



TECUMSEH

SERVICE POLICY WARRANTY



TECUMSEH

Issued January 1980
Revised January 1991

LIMITED WARRANTIES FOR NEW PEERLESS GEAR POWER TRAIN COMPONENTS

A. Products Warranted

Peerless Gear and Machine Division of Tecumseh Products Company ("Tecumseh"), subject to the limitations contained below, will, at its option, repair or replace, without charge for parts or labor only, any part of a new Power Train Component (which as used herein means and includes the transaxle, gear box, transmission, differential and right angle drives, and any part of the Power Train Component), EXCEPT any new Power Train Component incorporated in equipment used for commercial or rental purposes, which is found upon examination by any Tecumseh Authorized Service Outlet or by Tecumseh's factory in Grafton, Wisconsin, to be DEFECTIVE IN MATERIAL AND/OR WORKMANSHIP if received by Tecumseh or a Tecumseh Authorized Service Outlet for such examination within TWO YEARS from the date of sale to the original consumer purchaser of Peerless Series 820, 900, 910, 915, 920, 930 transaxles and Series 1100 angle drive and ONE YEAR for all other Peerless products. New Power Train Components incorporated in equipment used for commercial purposes are warranted in the same manner and to the same extent EXCEPT such Power Train Components are warranted for NINETY (90) DAYS ONLY, and must be received by Tecumseh or by a Tecumseh Authorized Service Outlet for such examination within 90 days from the date of sale to the original purchaser. New Power Train Components incorporated in equipment used for rental purposes are warranted in the same manner and to the same extent EXCEPT such Power Train Components are warranted for THIRTY (30) DAYS ONLY, and must be received by Tecumseh or a Tecumseh Authorized Service Outlet within 30 days from the date of sale to the original purchaser.

B. Products And Items Not Warranted

1. Alterations or Modifications of Power Train Components.
2. Accidents, Normal Maintenance, Failure to follow the Original Equipment Manufacturer's Manual.

This warranty covers only parts of new Power Train Components which are found upon examination to be defective in material or workmanship as delivered to the original purchaser. This warranty does not cover defects caused by depreciation or damage caused by normal wear, accidents, improper maintenance, improper use or abuse of the product, failure to follow the instructions contained in an Instruction Manual for the operation of the Power Train Component and parts. The cost of normal maintenance and replacement of service items which are not defective shall be paid for by the original purchaser.

C. Securing Warranty Service

Warranty service can be arranged for by contacting either a Tecumseh Authorized Service Outlet (any Tecumseh Registered Service Dealer, Tecumseh Authorized Service Distributor, or Tecumseh Central Warehouse Distributor) or by contacting Tecumseh, c/o Service Manager, Engine and Transmission Group Service Division, 900 North Street, Grafton, Wisconsin 53024. Warranty service can only be performed by a Tecumseh Authorized Service Outlet or by Tecumseh at its factory in Grafton, Wisconsin. At the time of requesting warranty service, evidence must be presented of the date of sale to the original purchaser. The purchaser shall pay any charges for making service calls and/or for transporting the product to and from the place where the inspection and/or warranty work is performed. The purchaser shall be responsible for any damage or loss incurred in connection with the transportation of Power Train Components and/or part(s) of the Power Train Components submitted for inspection and/or warranty work.

D. Limitation of Damages and Implied Warranties

The foregoing EXPRESSED WARRANTY IS IN LIEU OF ALL OTHER EXPRESS WARRANTIES. Neither Tecumseh nor any of its affiliates makes any warranties, representations or promises, written or oral, as to the quality of the Power Train Component or any of its parts, other than as set forth herein.

ANY IMPLIED WARRANTY OF MERCHANTABILITY OR FITNESS FOR A PARTICULAR PURPOSE, TO THE EXTENT THAT EITHER MAY APPLY TO ANY PART(S) OF POWER TRAIN COMPONENTS, SHALL BE LIMITED IN DURATION TO THE PERIODS OF THE EXPRESSED WARRANTIES DEFINED IN PARAGRAPH A HEREOF. IN NO EVENT WILL TECUMSEH BE LIABLE FOR ANY INCIDENTAL, CONSEQUENTIAL OR SPECIAL DAMAGES AND/OR EXPENSES. Some states do not allow limitations on how long an implied warranty lasts or the exclusion or limitation of incidental or consequential damages, so the above limitation(s) or exclusion(s) may not apply to you. This warranty gives you specific legal rights and you may also have other legal rights which vary from state to state.

E. No Dealer Warranty

Tecumseh neither assumes nor authorizes any other person, natural or corporate, to assume for Tecumseh any other obligations or liabilities in connection with or with respect to any part(s) of a Power Train Component. The seller or dealer of part(s) of a Power Train Component has no authority, whatsoever, to make any representations or promises on behalf of Tecumseh or to modify the terms or limitations of Tecumseh's warranty in any way.

Mr. Bricolage