

REPAIR PARTS MANUAL
MODEL NO. MJ135B92 (96011013500)
Lawn Tractor



HOW TO USE THIS MANUAL

This manual is designed to provide the customer with a means to identify the parts on his/her tractor when ordering repair parts. The illustrations may or may not represent the actual assemblies; therefore, it is not recommended to use this manual as a guide to assemble or disassemble the tractor. Some hardware and parts are drawn larger in order to more readily identify them.

Each tractor has its own model number.

The model number for your tractor can be found on the fender under the seat.

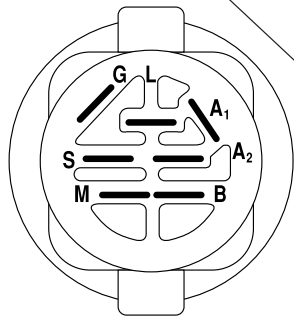
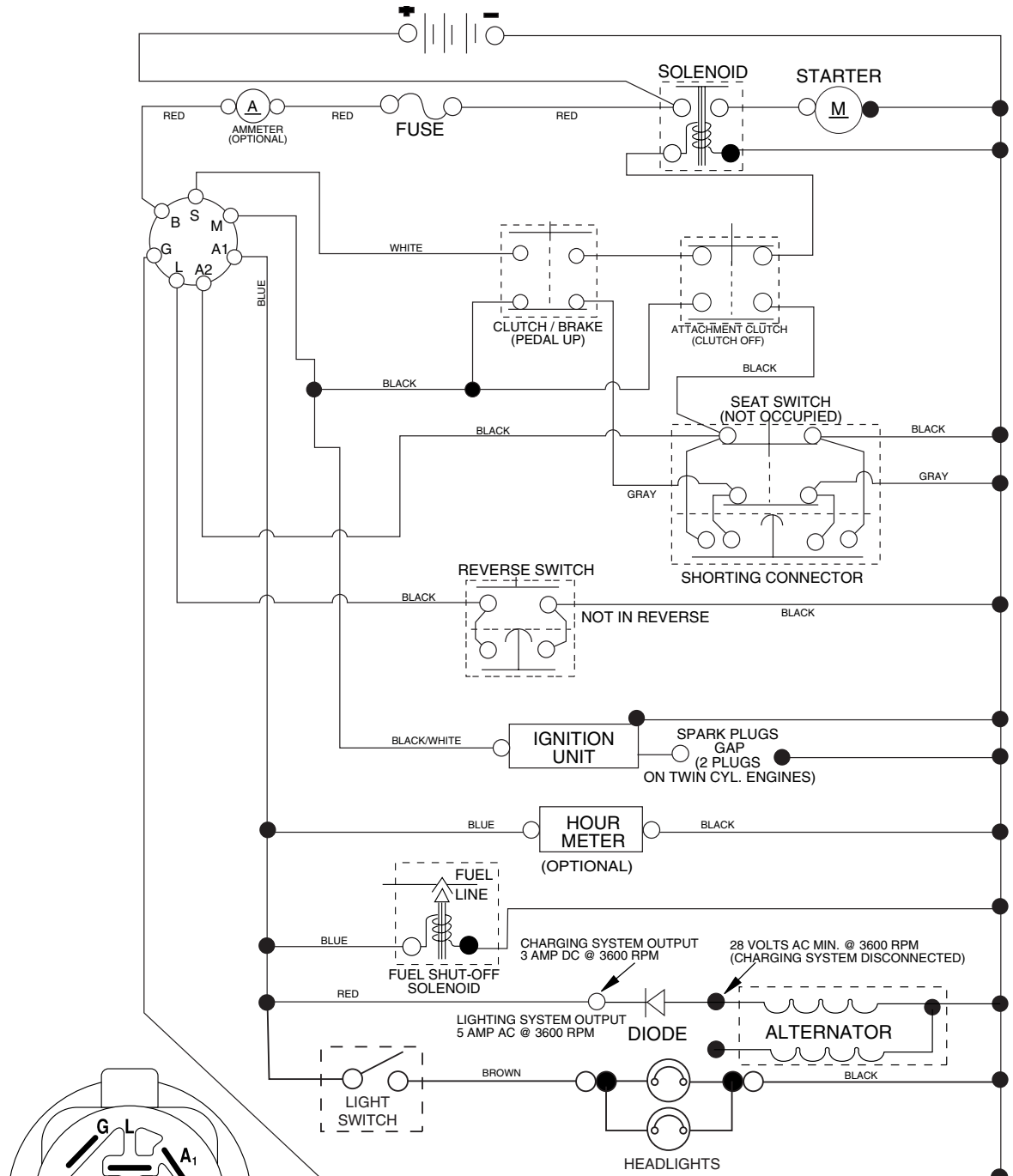
When ordering parts, always give the following information:

- Product - "Lawn Tractor"
- Model Number - "MJ135B92" (96011013500)
- Part Number
- Part Description

TABLE OF CONTENTS

SCHEMATIC	3
ELECTRICAL.....	4-5
CHASSIS AND ENCLOSURES.....	6-7
DRIVE.....	8-9
STEERING ASSEMBLY.....	10-11
SEAT ASSEMBLY	12
DECALS.....	13
ENGINE.....	14-15
MOWER DECK	16-17
LIFT	18-19

TRACTOR - MODEL NO. MJ135B92 (96011013500), PRODUCT NO. 960 11 01-35 SCHEMATIC



IGNITION SWITCH

POSITION	CIRCUIT	"MAKE"
OFF	M+G+A1	
RUN/OVERRIDE	B+A1	
RUN	B+A1	L+A2
START	B + S + A1	

03059

NOTE

YOUR TRACTOR IS EQUIPPED WITH A SPECIAL ALTERNATOR SYSTEM. THE LIGHTS ARE NOT CONNECTED TO THE BATTERY, BUT HAVE THEIR OWN ELECTRICAL SOURCE. BECAUSE OF THIS, THE BRIGHTNESS OF THE LIGHTS WILL CHANGE WITH ENGINE SPEED. AT IDLE THE LIGHTS WILL DIM. AS THE ENGINE IS SPEEDED UP, THE LIGHTS WILL BECOME THEIR BRIGHTEST.

●
NON-REMOVABLE CONNECTIONS

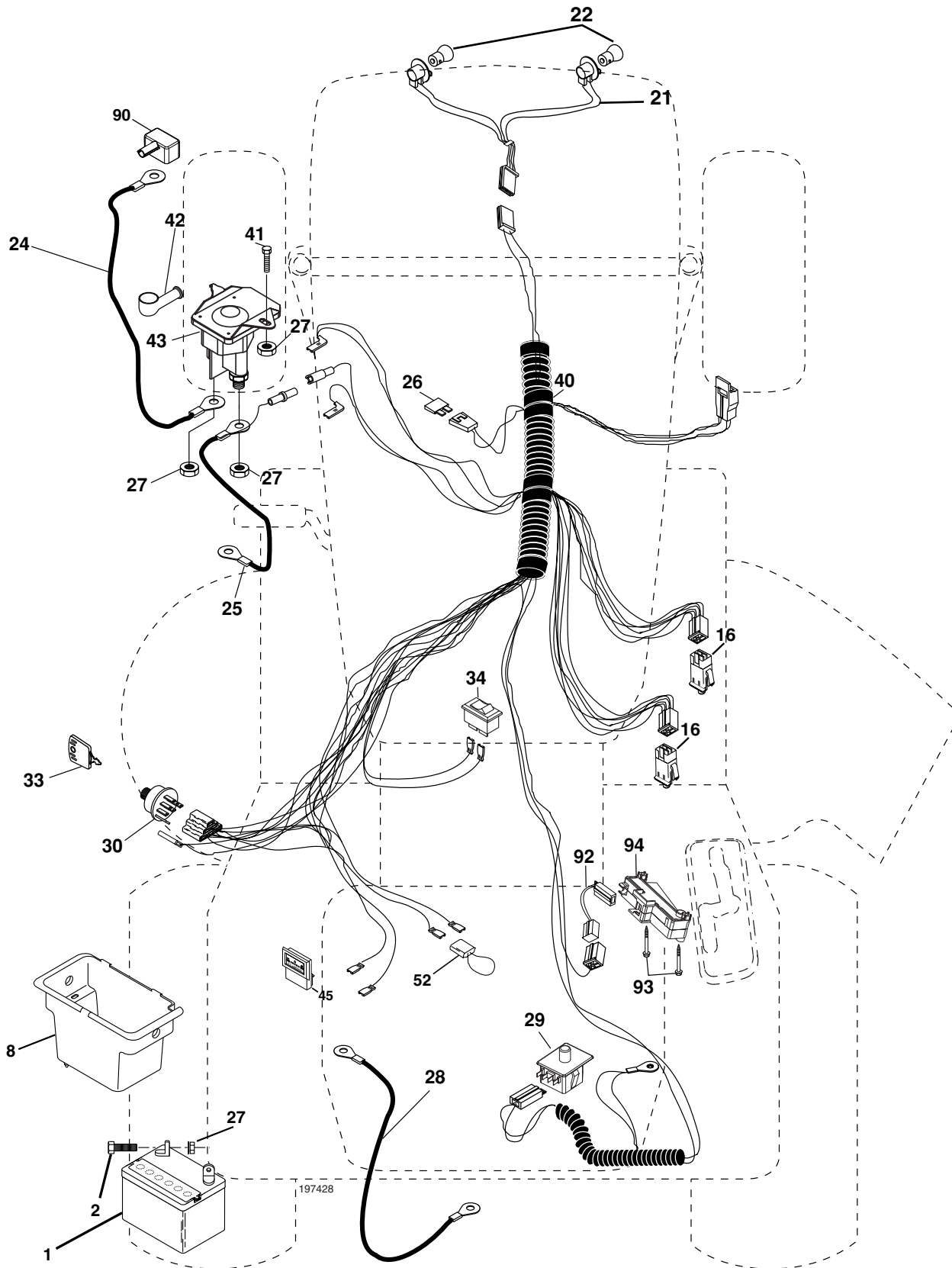
○
REMOVABLE CONNECTIONS

WIRING INSULATED CLIPS

NOTE: IF WIRING INSULATED CLIPS WERE REMOVED FOR SERVICING OF UNIT, THEY SHOULD BE REPLACED TO PROPERLY SECURE YOUR WIRING.

REPAIR PARTS

TRACTOR - MODEL NO. MJ135B92 (96011013500), PRODUCT NO. 960 11 01-35
ELECTRICAL



REPAIR PARTS

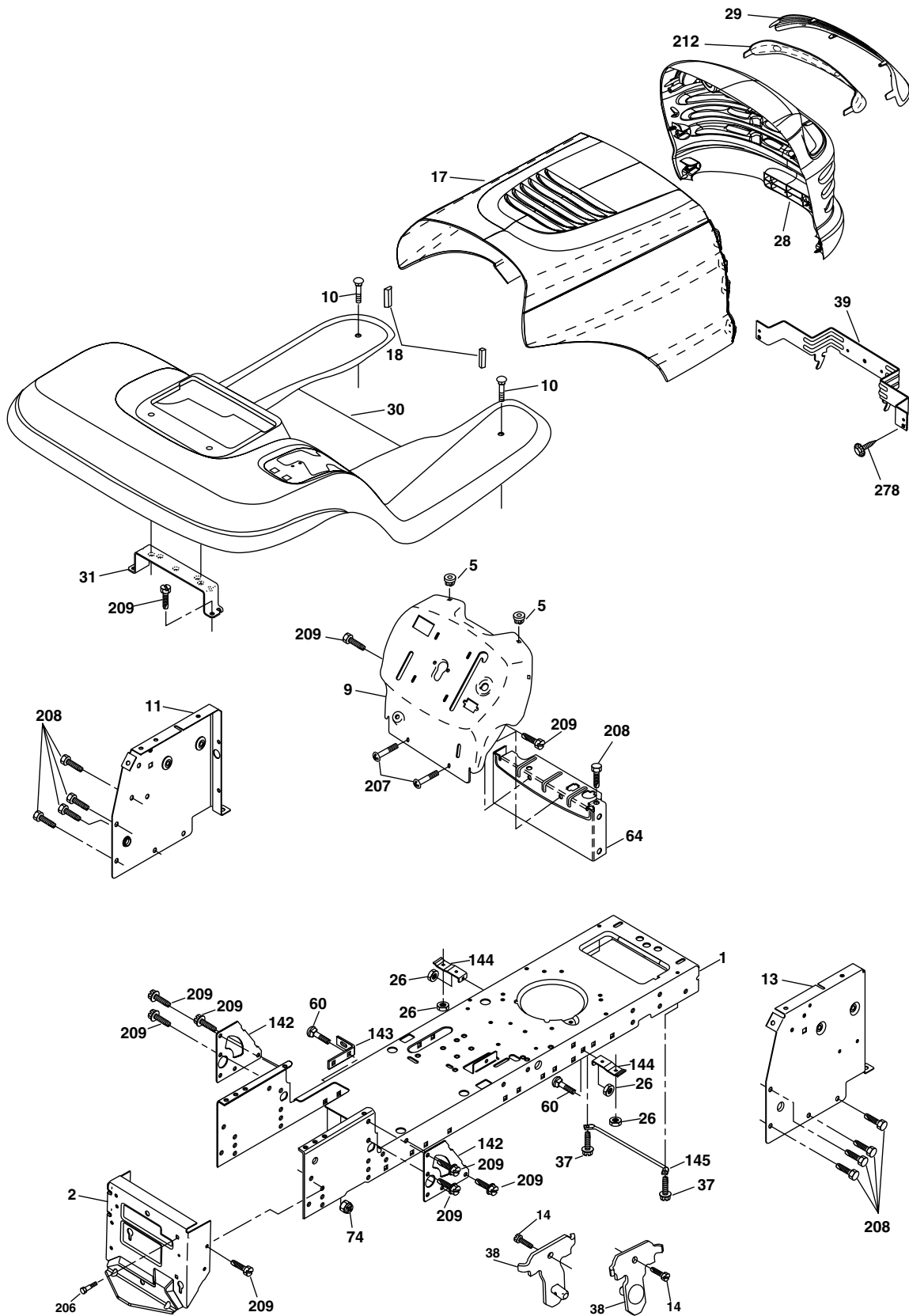
TRACTOR - MODEL NO. MJ135B92 (96011013500), PRODUCT NO. 960 11 01-35
ELECTRICAL

KEY NO.	PART NO.	DESCRIPTION
1	532 16 34-65	Battery 12 Volt 25 AMP
2	874 76 04-12	Bolt Hex Hd 1/4-20 unc x 3/4
8	532 17 66-89	Box Battery
16	532 17 61-38	Switch Interlock Push-In
21	532 18 37-59	Harness Asm Light
22	532 00 41-52	Bulb Light
24	532 12 47-80	Cable Battery 6 Ga. 11" red
25	532 14 61-47	Cable Battery 6 Ga. 44" red w/16 wire
26	532 17 51-58	Fuse 20 AMP
27	873 51 04-00	Nut Keps Hex 1/4-20 unc
28	532 12 47-73	Cable Ground 6 Ga. 12" black
29	532 19 27-49	Switch Seat
30	532 19 33-50	Switch Ign
33	532 14 04-01	Key Ign Molded Generic
34	532 11 07-12	Light Switch
40	532 19 74-28	Harness Ign.
41	871 11 04-08	Bolt Blk Fin Hex 1/4 - 20 x 1/2
42	532 13 15-63	Cover Terminal Red
43	532 19 25-07	Solenoid
45	532 12 14-33	Ammeter Rectangular
52	532 14 19-40	Protection Wire Loop
90	532 18 04-49	Cover Terminal Battery
92	532 19 66-15	Harness Pigtail Consle ROS
93	532 19 25-40	Screw Plastic 10-14 x 2.0
94	532 19 18-34	Module Reverse ROS

NOTE: All component dimensions given in U.S. inches.
1 inch = 25.4 mm.

REPAIR PARTS

TRACTOR - MODEL NO. MJ135B92 (96011013500), PRODUCT NO. 960 11 01-35
CHASSIS AND ENCLOSURES



chassis-Laser -lt.stlt_27

REPAIR PARTS

TRACTOR - MODEL NO. MJ135B92 (96011013500), PRODUCT NO. 960 11 01-35
CHASSIS AND ENCLOSURES

KEY NO.	PART NO.	DESCRIPTION
1	532 17 46-19	Chassis Stamping
2	532 17 65-54	Drawbar
5	532 15 52-72	Bumper Hood/Dash
9	532 19 68-36	Dash P/L
10	872 14 06-08	Bolt Carriage 3/8-16 x 1
11	532 17 49-96	Panel Dash Lh
13	532 18 17-19	Panel Dash Rh
14	817 49 06-08	Screw Thdrol 3/8-16 x 1/2
17	532 40 38-31	Hood
18	532 18 49-21	Bumper Hood
26	873 80 06-00	Nut Lock Hex W/Ins 3/8-16 unc
28	532 40 35-02	Grille/Lens (Includes key nos. 29 & 212)
29	532 18 27-18	Lens
30	532 40 38-32	Fender Footrest
31	532 13 99-76	Bracket Support Fender
37	817 49 05-08	Screw Thdrol 6/16-18 x 1/2 TYT
39	532 17 47-14	Bracket Pivot
38	532 17 57-10	Bracket, Asm. Pivot, Mower Rear
60	872 14 06-06	Bolt RDHD SQNK 3/8-16 UNC x 3/4
64	532 15 47-98	Dash Lower
74	873 68 06-00	Nut Crownlock 3/8-16 UNC
142	532 17 57-02	Plate Reinforcement
143	532 18 66-89	Bracket Swaybar Chassis Notch
144	532 17 55-82	Bracket Footrest
145	532 15 65-24	Rod Pivot Chassis/Hood
206	532 17 01-65	Bolt Shoulder 5/16-18 TT
207	817 67 05-08	Screw Thdrol 5/16-18 x 1/2
208	817 67 06-08	Screw Thdrol 3/8-16 x 1/2
209	817 00 06-12	Screw Hexwsh Thdr 3/8-16 x 3/4
212	532 17 51-43	Insert Lens
278	532 19 16-11	Screw 10 x 3/4 Single Lead-Hex
--	532 00 54-79	Plug Btn

NOTE: All component dimensions given in U.S. inches
1 inch = 25.4 mm

REPAIR PARTS

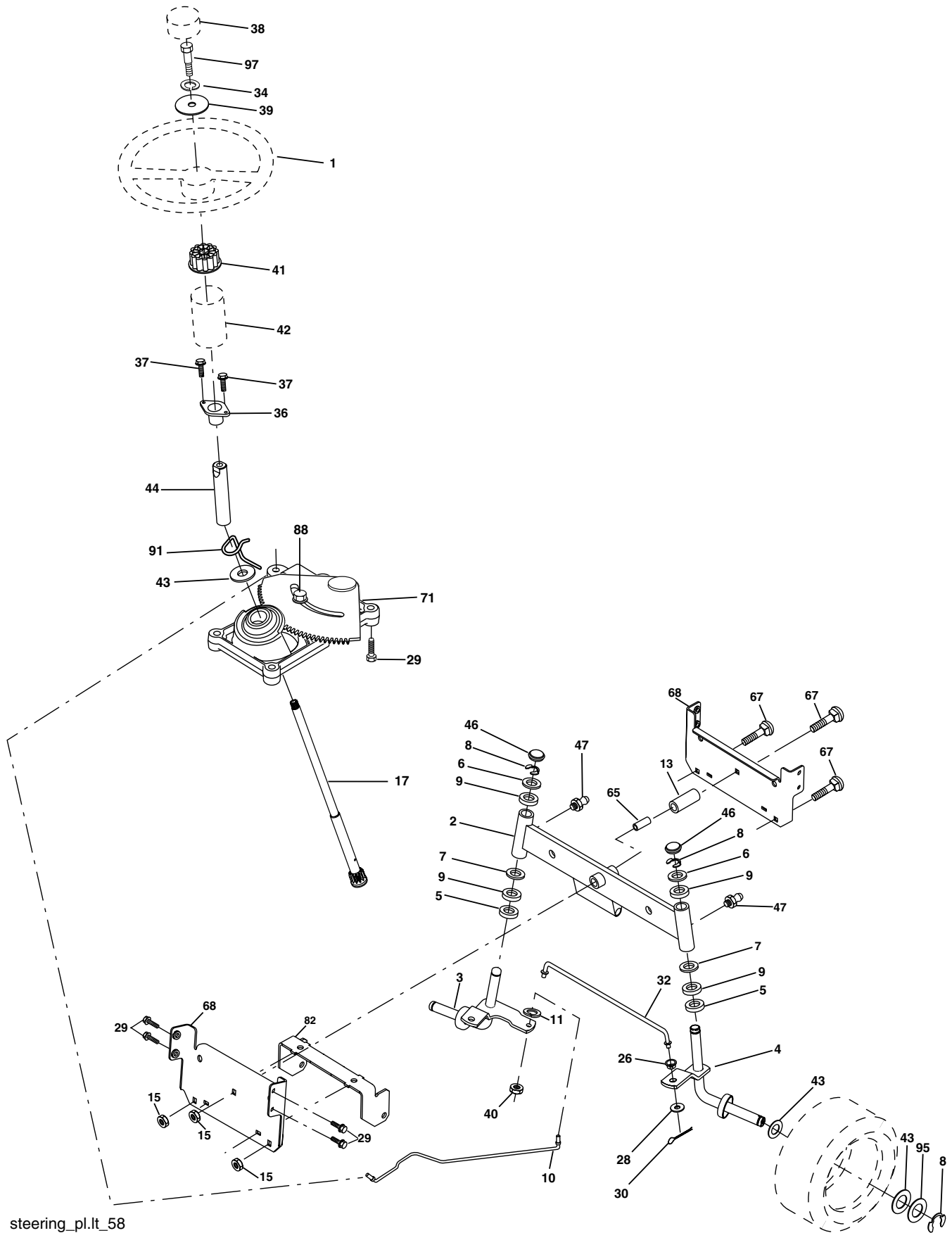
TRACTOR - MODEL NO. MJ135B92 (96011013500), PRODUCT NO. 960 11 01-35 DRIVE

KEY NO.	PART NO.	DESCRIPTION	KEY NO.	PART NO.	DESCRIPTION
1	-----	Transaxle, Dana D4360-139 (Order Parts From Transaxle Manufacturer)	64	532 17 39-37	Bolt Hex
2	532 14 66-82	Spring Return Brake T/a Zinc	65	810 04 07-00	Washer Lock Hvy Hlcl Spr 7/16
3	532 12 36-66	Pulley Transaxle 18" tires	66	532 15 47-78	Keeper Belt Engine Foolproof
4	812 00 00-28	Ring Retainer # 5100-62	69	532 14 24-32	Screw Hex Wsh Hi-Lo 1/4-1/2 unc
5	532 12 15-20	Strap Torque 30 Degrees	70	532 18 02-18	Guide Belt Mower Drive RH
6	817 00 05-12	Screw Thdrol 5/16-18 x 3/4 TYT	74	532 10 95-02	Spacer Axle
8	532 19 27-06	Rod Shift Fender Adjust STLT	75	532 12 17-49	Washer 25/32 x 1 1/4 x 16 Ga.
10	876 02 04-16	Pin Cotter 1/8 x 1 Cad	76	812 00 00-01	E-ring #5133-75
11	532 10 57-01	Washer Plate Shf 388 Sq Hole	77	532 12 35-83	Key Square 2 0 x 1845/ 1865
13	874 55 04-12	Bolt 1/4-28 unf Gr. 8 W/Patch	78	532 12 17-48	Washer 25/32 x 1-5/8 x 16 Ga.
14	810 04 04-00	Washer Lock Hvy Helical 1/4	79	532 12 50-96	Key Woodruff #9 3/16 x 3/4
15	874 49 05-44	Bolt 5/16-18 Gr. 5	80	532 13 14-88	Arm Shift
16	873 80 05-00	Nut Lock Hx W/Ins 5/16-18 unc Pl	81	532 16 55-94	Shaft Asm Cross Tapered DA/PR 18"
18	874 78 06-16	Bolt, Fin Hex 3/8-16 unc x 1 Gr. 5	82	532 16 57-11	Spring Torsion T/a
19	873 80 06-00	Nut Lock 3/8-16 unc	83	819 17 12-16	Washer 17/32 x 3/4 x 16 Ga.
21	532 10 69-33	Knob	84	532 16 62-29	Transaxle Link
22	532 13 08-04	Rod Brake Blk Zinc 26 840	85	532 15 03-60	Nut Lock Center 1/4 - 28 FNTHD
24	873 35 06-00	Nut Hex Jam 3/8-16 unc	89	532 40 32-08	Console Shift STLT
25	532 10 68-88	Spring Rod Brake 2 00 Zinc	96	532 12 47-88	Retainer Spring 1"
26	819 13 13-16	Washer 13/32 x 13/16 x 16 Ga	112	819 09 12-10	Washer 9/32 x 3/4 x 10 Ga.
27	876 02 04-12	Pin Cotter 1/8 x 3/4 Cad	113	532 12 72-85	Strap Torque LT
28	532 17 57-65	Rod Brake Parking LT/YT	116	872 14 06-08	Bolt Rdhd Sq Neck 3/8-16 x 1
29	532 07 16-73	Cap Brake Parking Black	120	873 90 06-00	Nut Lock Flg. 3/8-16
30	532 17 49-73	Bracket Mtg Transaxle	150	532 17 54-56	Spacer Retainer
32	874 76 05-12	Bolt Hex Hd 5/16-18 unc x 3/4	151	819 13 32-10	Washer 13/32 x 2 x 10 Ga.
34	532 17 55-78	Shaft Asm Pedal Foot	156	532 16 60-02	Washer Srrted 5/16 ID x 1.125
35	532 12 01-83	Bearing Nylon Blk 629 Id	158	532 16 55-89	Bracket Shift Mount
36	819 21 16-16	Washer 21/32 x 1 x 16 Ga	159	532 18 39-00	Hub Shift
37	532 12 49-63	Pin Roll 3/16 x 1"	161	872 14 04-06	Bolt Rdhd Sqnk 1/4-20 x 3/4 Gr. 5
38	532 17 91-14	Pulley Composite	162	873 68 04-00	Nut Crownlock 1/4-20 unc
39	872 11 06-22	Bolt Rdhd 3/8-16 x 2-3/4 Gr. 5	163	874 78 04-16	Bolt Hex Fin 1/4-20 unc x 1 Gr. 5
41	532 17 55-56	Keeper Belt Idler Flat	165	532 16 56-23	Bracket Pivot Lever
47	532 12 77-83	Pulley Idler V Groove Plastic	166	817 49 05-10	Screw 5/16-18 x 5/8
48	532 15 44-07	Bellcrank Clutch Grnd Drv Stl	168	532 16 54-92	Bolt Shoulder 5/16-18 x .561
49	532 12 32-05	Retainer Belt Style Spring	169	532 16 55-80	Plate Fastening STLT/CRD
50	872 11 06-12	Bolt Carr. sh 3/8-16 x 1-1/2 Gr. 5	170	532 18 74-14	Keeper Belt T/A
51	873 68 06-00	Nut Crownlock 3/8-16 unc	197	532 16 96-13	Nyliner Snap-In 5/8" ID
52	873 68 05-00	Nut Crownlock 5/16-18 unc	198	532 16 95-93	Washer Nyl 7/8 Id x .105" Hyd
53	532 19 96-52	Link Clutch	202	872 11 06-14	Bolt 3/8-16 x 1-3/4 Gr. 5
55	532 10 57-09	Spring Return Clutch 6 75	212	532 14 52-12	Nut Hex Flg Lock
56	817 06 06-20	Screw 3/8-16 x 1-1/4	263	817 00 06-12	Screw 3/8-16 x 3/4
57	532 16 08-55	V-Belt Ground Drive 95 30	268	532 18 24-02	Guard Muffler
59	532 16 96-91	Keeper Belt Span Ctr	275	819 13 16-14	Washer 13/32 x 1 x 14 Ga.
61	817 12 06-14	Screw 3/8-16 x .875			
62	532 12 48-72	Cover Pedal			
63	532 18 02-19	Engine Pulley			

NOTE: All component dimensions given in U.S. inches
1 inch = 25.4 mm

REPAIR PARTS

TRACTOR - MODEL NO. MJ135B92 (96011013500), PRODUCT NO. 960 11 01-35
STEERING ASSEMBLY



steering_pl.it_58

REPAIR PARTS

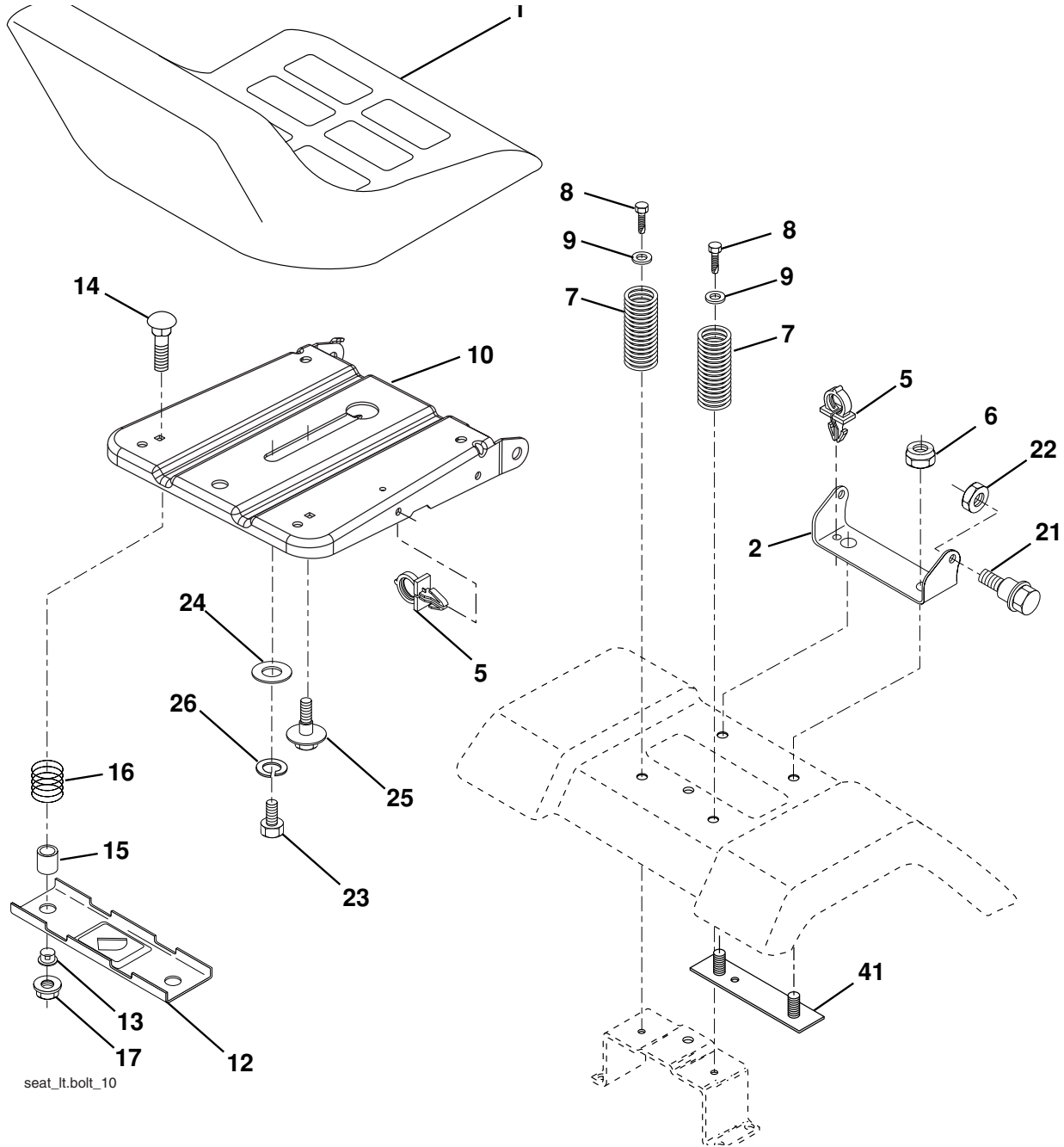
TRACTOR - MODEL NO. MJ135B92 (96011013500), PRODUCT NO. 960 11 01-35
STEERING ASSEMBLY

KEY NO.	PART NO.	DESCRIPTION
1	532 18 67-80	Wheel Steering
2	532 17 51-31	Axle Asm
3	532 16 98-40	Spindle Asm LH
4	532 16 98-39	Spindle Asm RH
5	532 12 49-31	Bearing Race Thrust Harden
6	532 12 17-48	Washer 25/32 x 1-5/8 x 16 Ga.
7	819 27 20-16	Washer 27/32 x 1-1/4 x 16 Ga.
8	812 00 00-29	Ring Klip #t5304-75
9	532 12 49-37	Bearing Col Strg Blk
10	532 17 51-21	Link Drag
11	810 04 06-00	Washer Lock Hvy Hlcl Spr 3/8
13	532 13 65-18	Spacer Brg Axle Front
15	532 14 52-12	Nut Hex Flange Lock
17	532 19 07-53	Shaft Asm Strg
26	532 12 68-47	Bushing Link Drag Blk LR
28	819 13 14-16	Washer 13/32 x 7/8 x 16 Ga.
29	817 00 06-12	Screw 3/8-16 x 3/4
30	876 02 04-12	Pin Cotter 1/8 x 3/4 Cad
32	532 19 27-57	Rod Tie
34	810 04 05-00	Washer Lock Hvy Hlcl Spr. 5/16
36	532 15 50-99	Bushing Strg
37	532 15 29-27	Screw
38	532 19 29-16	Insert Cap Strg Wh
39	819 11 38-12	Washer 11/32 ID x 2-3/8 OD 12 Ga.
40	873 54 06-00	Nut Crownlock 3/8-24
41	532 18 67-37	Adaptor Wheel Strg
42	532 16 96-33	Boot Steering Shaft
43	532 12 17-49	Washer 25/32 x 1-1/4 x 16 Ga.
44	532 19 07-52	Extension Steering Shaft
46	532 12 12-32	Cap Spindle Fr Top Blk
47	532 18 32-26	Fitting Grease
65	532 16 03-67	Spacer Brace Axle
67	872 11 06-18	Bolt, Rdhd Sqnk 3/8-16 x 2-1/4
68	532 16 98-27	Axle, Brace
71	532 17 51-46	Steering Asm.
82	532 19 99-78	Bracket Susp Chassis Front
88	532 17 51-18	Bolt Shoulder 7/16-20
91	532 17 55-53	Clip Steering
95	532 18 89-67	Washer Harden .793 x 1.637 x 060
97	874 78 05-64	Bolt 5/16-18 unc x 4"L Gr. 5

NOTE: All component dimensions given in U.S. inches.
1 inch = 25.4 mm.

REPAIR PARTS

TRACTOR - MODEL NO. MJ135B92 (96011013500), PRODUCT NO. 960 11 01-35
SEAT ASSEMBLY



seat_lt.bolt_10

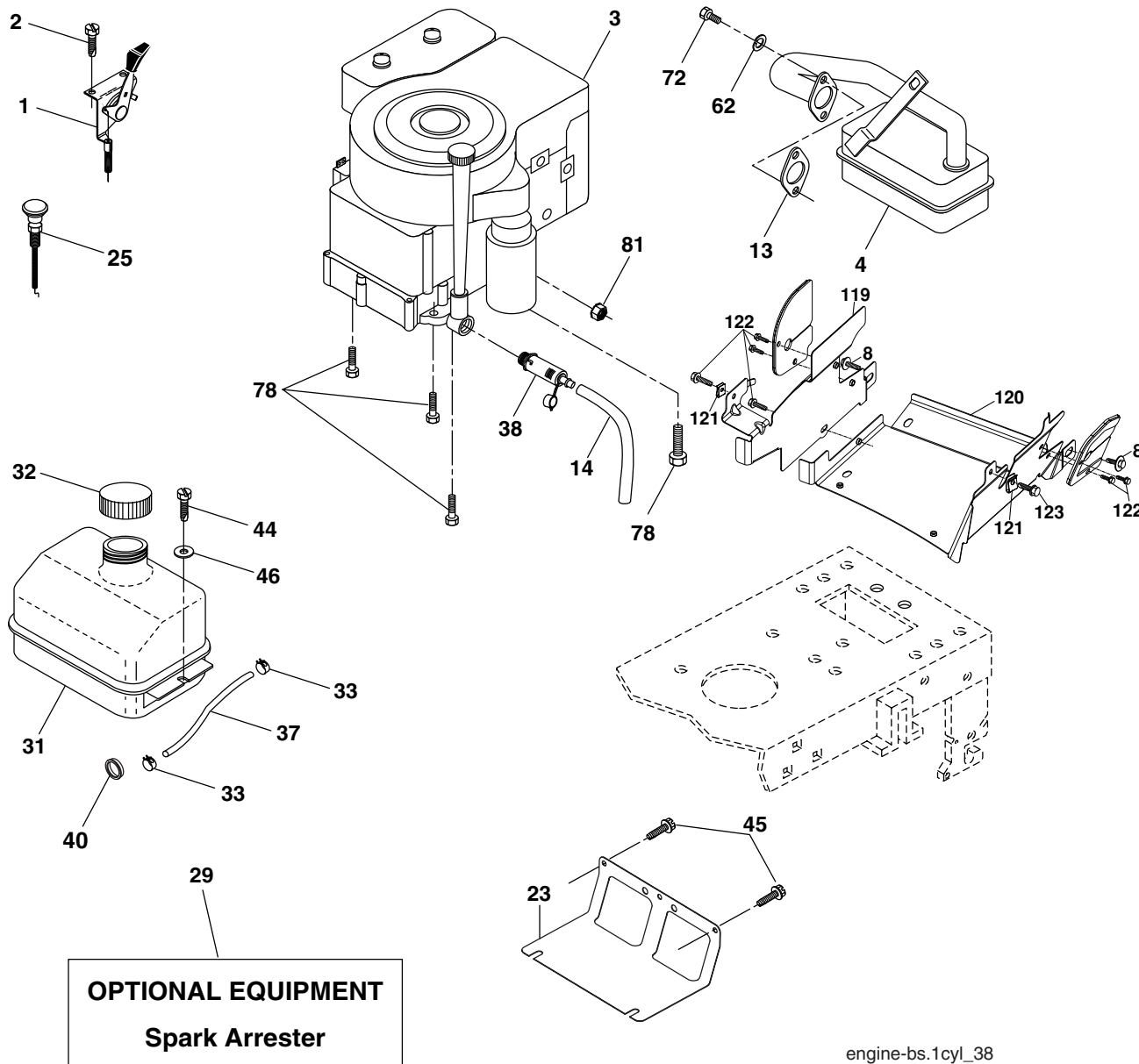
KEY NO.	PART NO.	DESCRIPTION
1	532 40 10-42	Seat
2	532 14 05-51	Bracket Pivot
5	532 14 50-06	Clip Push-In
6	873 80 06-00	Nut Hex w/Ins. 3/8-16 unc
7	532 12 41-81	Spring Seat Cprsn 2 250 Blk Zi
8	817 00 06-16	Screw 3/8-16 x 1-1/2
9	819 13 16-14	Washer 13/32 x 1 x 14 Ga.
10	532 19 55-30	Pan Seat
12	532 17 46-48	Bracket Mounting Switch
13	532 12 12-48	Bushing Snap Blk Nyl 50 Id
14	872 05 04-12	Bolt Rdhd Sqnk 1/4-20 x 1-1/2

KEY NO.	PART NO.	DESCRIPTION
15	532 13 43-00	Spacer Split 28 x 96 Yel Zinc
16	532 12 12-50	Spring Cprsn 1 27 Blk Pnt
17	532 12 39-76	Nut Lock 1/4 Lge Flg Gr. 5 Zinc
21	532 17 18-52	Bolt Shoulder 5/16-18 unc
22	873 80 05-00	Nut Hex Lock W/Ins 5/16-18
23	871 11 08-14	Bolt Hex
24	819 17 19-12	Washer 17/32 x 1-3/16 x 12 Ga.
25	532 12 70-18	Bolt Shoulder 5/16-18 x .62
26	810 04 08-00	Washer Lock HVY HLCL SPR 1/2
41	532 14 06-75	Strap Asm.

NOTE: All component dimensions given in U.S. inches.
1 inch = 25.4 mm

REPAIR PARTS

TRACTOR - MODEL NO. MJ135B92 (96011013500), PRODUCT NO. 960 11 01-35
ENGINE



engine-bs.1cyl_38

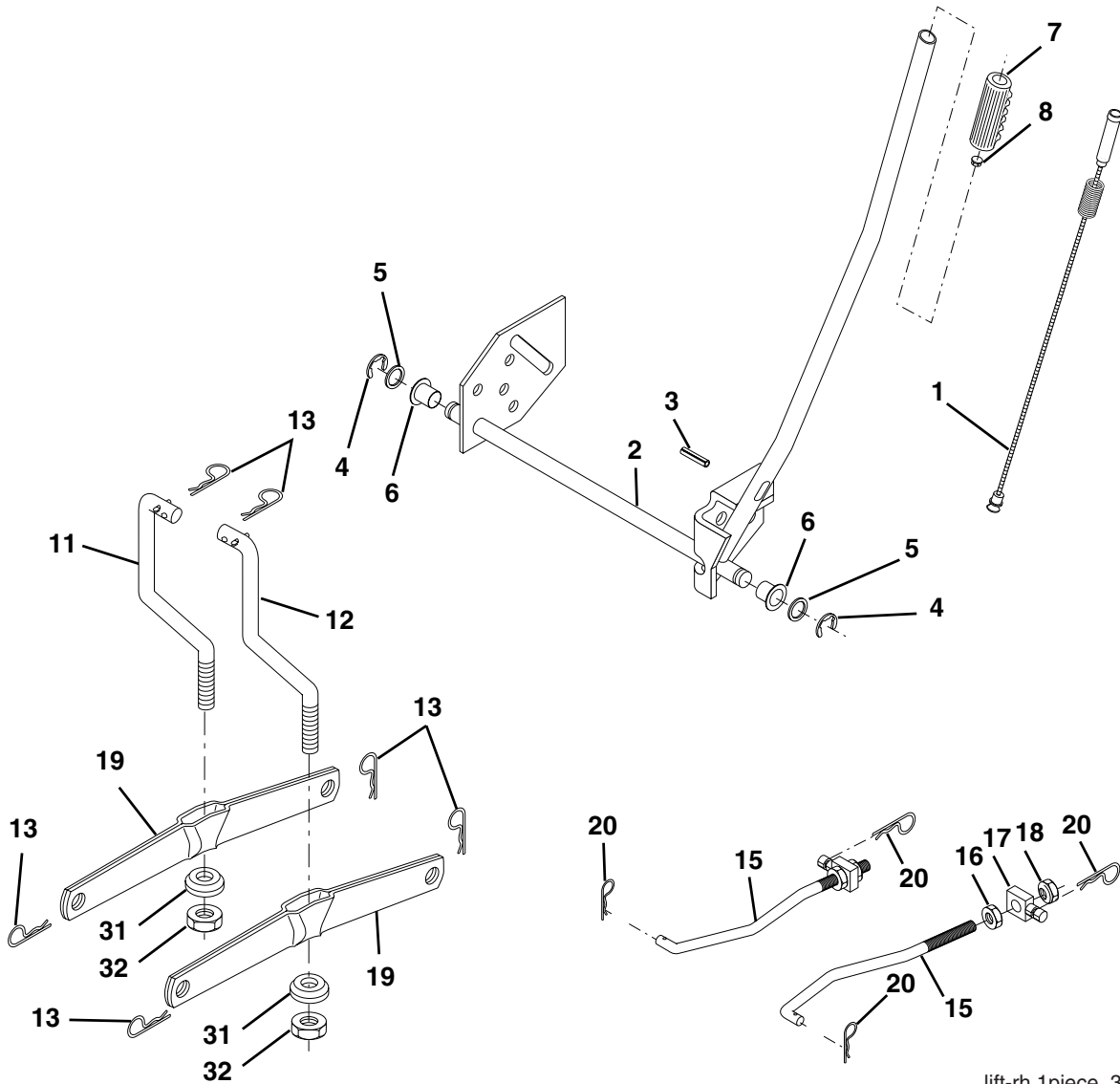
KEY NO.	PART NO.	DESCRIPTION
1	532 17 05-51	Control Th/ch Flag
2	817 72 04-08	Screw Hex Thd Cut 1/4-20 x 1/2
3	-----	Engine B&S Model No. 21B807 (Order Parts From Engine Manufacturer)
4	532 17 97-58	Muffler LT B&S
8	532 17 18-77	Bolt 5/16-18 UNC x 3/4 w/Sems
13	532 16 52-91	Gasket Eng 1 313 Id Tin Plated
14	532 14 84-56	Tube Drain Oil Easy
23	532 16 98-37	Shield Brn/Dbr Guard
25	532 19 06-95	Control Choke
29	532 13 71-80	Kit Spark Arrestor (Flat Scrn)
31	532 18 77-50	Tank Fuel Front
32	532 19 77-25	Cap Asm Fuel
33	532 12 34-87	Clamp Hose Black
37	532 13 70-40	Line Fuel 20"
38	532 18 16-54	Plug Drain Oil Easy

KEY NO.	PART NO.	DESCRIPTION
40	532 12 40-28	Bushing Snap Nyl Blk Fuel Line
44	817 67 04-12	Screw Hexwsh Thdrol 1/4-20 x 3/4
45	817 00 06-12	Screw Hex Wsh Thdrol 3/8-16 x 3/4
46	819 09 14-16	Washer 9/32 x 7/8 x 16 Ga.
62	810 04 05-00	Washer Lock 5/16
72	532 19 23-34	Screw socket HD 5/16-18 x .75
78	817 06 06-20	Screw 3/8-16x1-1/4
81	873 51 04-00	Nut 1/4-20
119	532 40 05-95	Guard Asm Eng LH
120	532 40 05-98	Guard Asm Eng RH
121	532 19 66-88	Clips Threaded
122	532 13 77-29	Screw THD Roll 1/4-20 x 5/8
123	817 67 05-08	Screw THDROL 5/16-18 x 1/2

NOTE: All component dimensions given in U.S. inches
1 inch = 25.4 mm

REPAIR PARTS

TRACTOR - MODEL NO. MJ135B92 (96011013500), PRODUCT NO. 960 11 01-35
MOWER LIFT



lift-rh.1piece_3

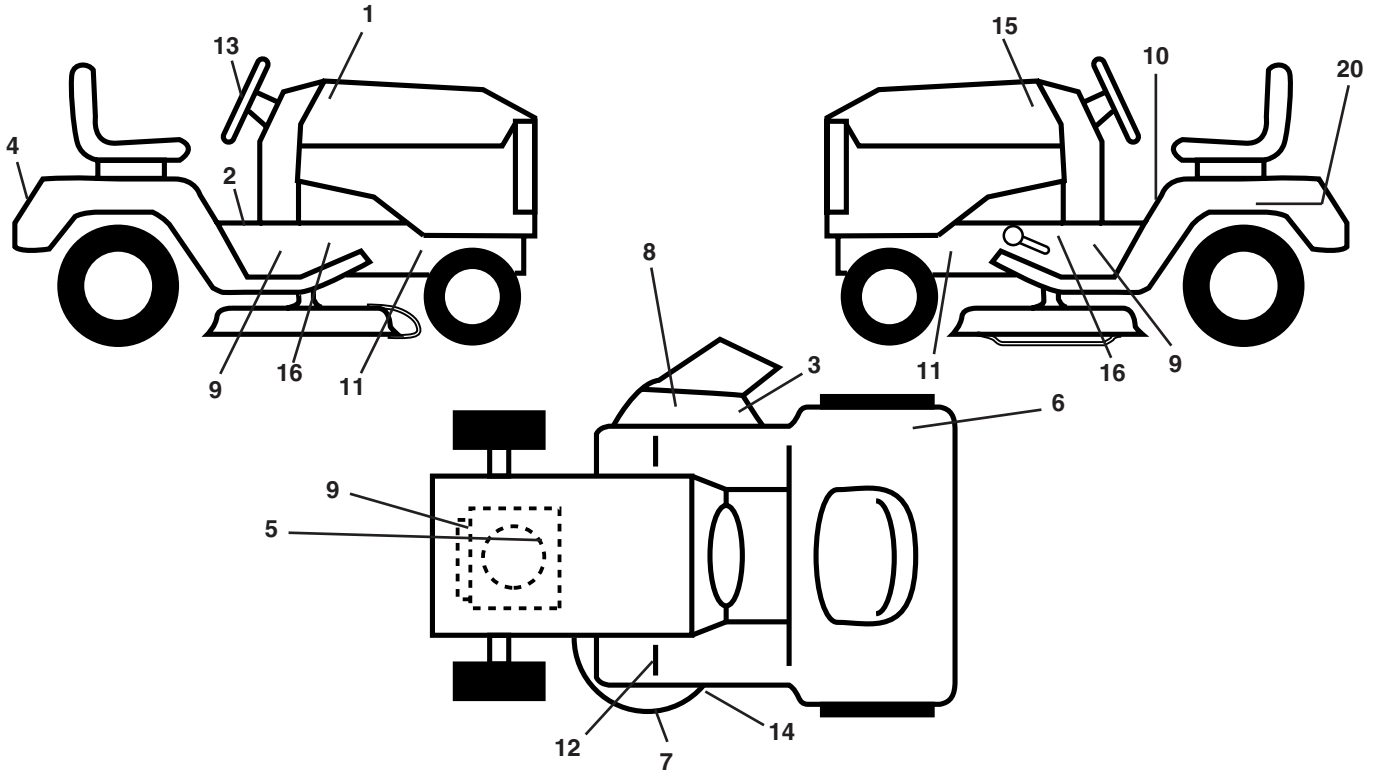
KEY NO.	PART NO.	DESCRIPTION
1	532 15 94-60	Wire Asm Inner/Spring W/plunger
2	532 19 94-71	Shaft Asm Lift
3	532 10 57-67	Pin Groove
4	812 00 00-02	E Ring #5133-62
5	819 21 16-21	Washer PLTD 21/32 x 1 x 21 Ga.
6	532 12 01-83	Bearing Nylon Blk 629 Id
7	532 10 94-13	Grip Handle
8	532 12 45-26	Button Plunger Black
11	532 13 98-65	Link Lift LH
12	532 13 98-66	Link Lift RH
13	532 12 46-70	Retainer Spring

KEY NO.	PART NO.	DESCRIPTION
15	532 17 32-88	Link Front
16	873 35 08-00	Nut Jam Hex 1/2-13 unc
17	532 17 56-89	Trunnion
18	873 80 08-00	Nut Lock W/wsh 1/2-13 unc
19	532 13 98-68	Arm Suspension Rear
20	532 19 42-09	Spring, Retainer
31	532 16 98-65	Bearing Pvt. Lift
32	873 54 06-00	Nut Crownlock 3/8-24

NOTE: All component dimensions given in U.S. inches
1 inch = 25.4 mm

REPAIR PARTS

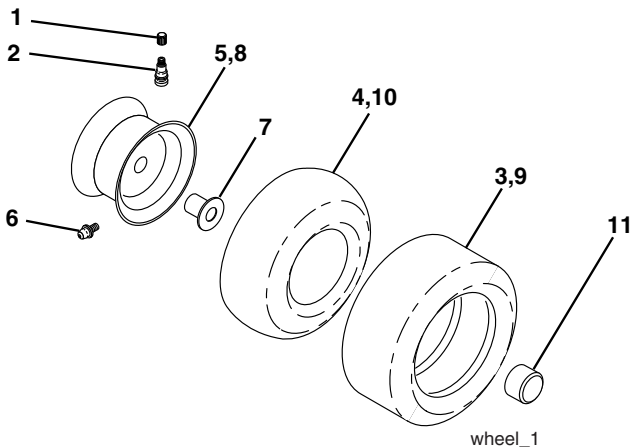
TRACTOR - MODEL NO. MJ135B92 (96011013500), PRODUCT NO. 960 11 01-35
DECALS



KEY NO.	PART NO.	DESCRIPTION
1	532 40 34-22	Decal Hood RH
2	532 14 08-37	Decal Saddle Brake Parking
3	532 19 63-57	Decal Deflector Warning
4	532 40 22-72	Decal Fender
5	532 18 94-55	Decal HP Engine
6	532 18 04-32	Decal 100DB/CE
7	532 13 49-99	Decal Deck Enviro
8	532 18 21-66	Decal Mower Cutting
9	532 19 68-41	Decal Engine Warning Symbols
10	532 40 03-89	Decal Warning Syms. CE
11	532 15 97-36	Decal Chassis Hot Muffler
12	532 15 97-37	Decal Brake/ Clutch Symbol Lt

KEY NO.	PART NO.	DESCRIPTION
13	532 40 22-73	Decal Steering
14	532 13 68-32	Decal V-Belt Schematic
15	532 40 34-23	Decal Hood LH
16	532 40 11-46	Decal Warning Service/Fire
20	532 14 50-05	Decal Bat Dan/Psn
--	532 16 25-98	Decal Drawbar
--	532 13 83-11	Decal Handle Lift Height Adjust
--	532 18 82-52	Pad Frest RH
--	532 18 82-53	Pad Frest LH
--	532 40 09-01	Manual Operator's (Euro.)
--	532 19 75-66	Manual Parts

WHEELS & TIRES

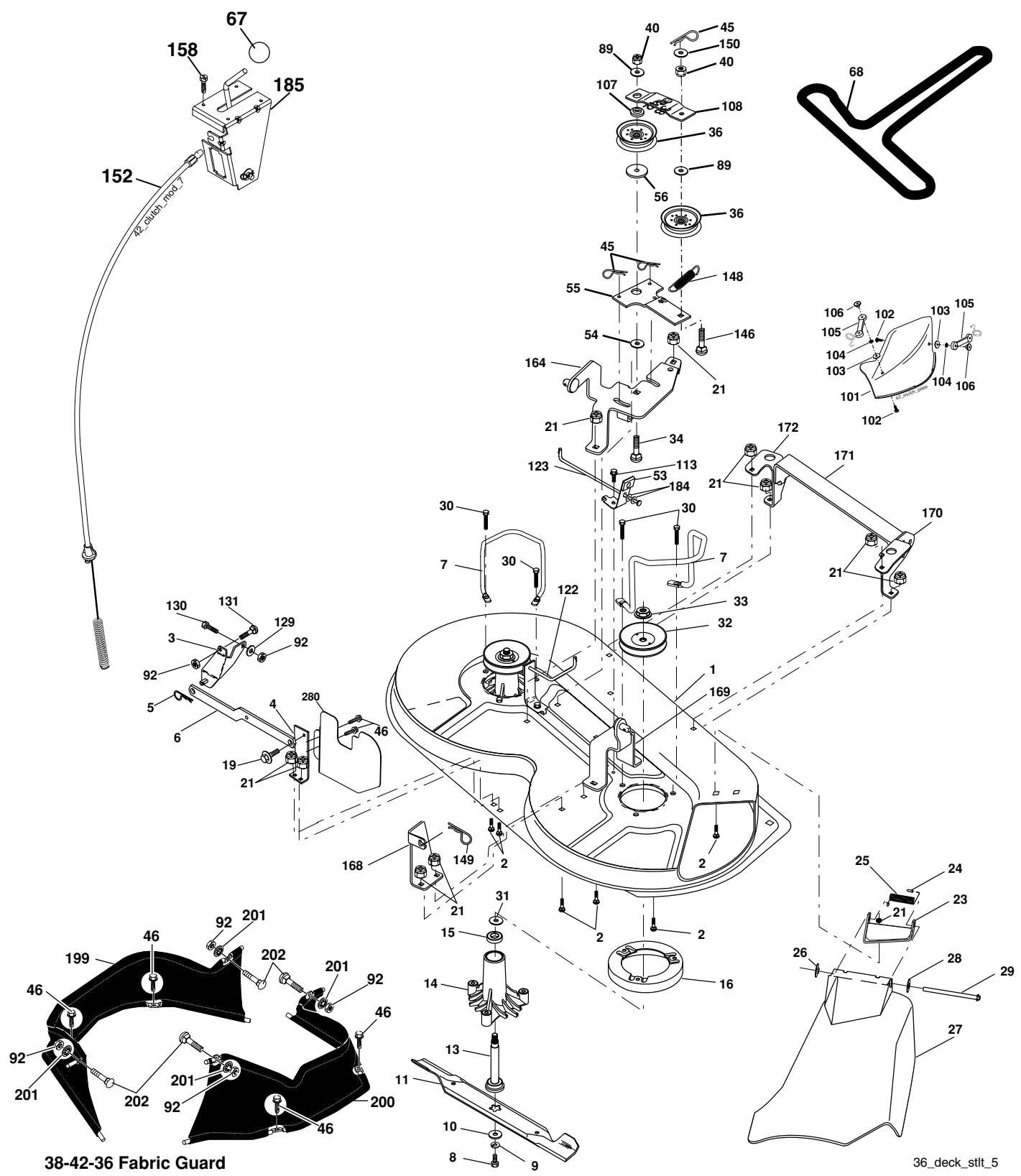


KEY NO.	PART NO.	DESCRIPTION
1	532 05 91-92	Cap Valve Tire
2	532 06 51-39	Stem Valve
3	532 10 62-22	Tire F Ts 15 x 6 0 - 6 Service
4	532 05 99-04	Tube Front (Service Item Only)
5	532 13 83-36	Rim Asm 6" front Service
6	532 12 49-57	Fitting Grease (Front Wheel Only)
7	532 12 49-59	Bearing Flange (Front Wheel Only)
8	532 13 83-37	Rim Asm 8" rear Service
9	532 12 46-35	Tire R Ts 18 x 8 5-8 C Service
10	532 12 49-26	Tube Rear (Service Item Only)
11	532 17 50-39	Cap Axle Blk 1 50 x 1 00
--	532 14 43-34	Sealant, Tire (10 oz. Tube)

NOTE: All component dimensions given in U.S. inches
1 inch = 25.4 mm

REPAIR PARTS

TRACTOR - MODEL NO. MJ135B92 (96011013500), PRODUCT NO. 960 11 01-35
MOWER DECK



38-42-36 Fabric Guard

36_deck_sttt_5

REPAIR PARTS

**TRACTOR - MODEL NO. MJ135B92 (96011013500), PRODUCT NO. 960 11 01-35
MOWER DECK**

KEY NO.	PART NO.	DESCRIPTION	KEY NO.	PART NO.	DESCRIPTION
1	532 40 33-69	Mower Deck Assembly	92	873 80 06-00	Nut Lock Rex W/Ins 3/8-16 UNC
2	872 14 05-06	Bolt	101	532 14 01-02	Cover Mulching 36"
3	532 13 80-17	Bracket Assembly,Sway Bar	102	871 08 10-10	Screw Pan HD Phillip 10-24 x 5/8
4	532 17 56-54	Bracket Sway Bar	103	819 06 12-16	Washer #10
5	532 12 46-70	Retainer Spring	104	810 07 10-00	Washer Lock #10
6	532 17 80-24	Bar Sway Deck	105	532 16 07-93	Latch Asm. Mulch/Bagger
7	532 40 11-18	Mandrel Guard	106	532 12 50-04	Nut Weld .327/.304 #10-24
8	532 85 08-57	Bolt, Hex 3/8-24 x 1.25 Gr. 8	107	532 13 35-02	Spacer, Retainer
9	810 03 06-00	Washer, Lock Hvy Hlcl 3/8	108	532 13 35-03	Stiffener, Idler Arm
10	532 14 02-96	Washer, Hardened	113	817 49 05-08	Screw Thdrol 5/16-18 x 1/2
11	532 14 01-01	Blade, Mower	122	532 17 45-05	Rod, Brake, LH
13	532 13 76-45	Shaft Assembly, Mandrel,	123	532 17 45-04	Rod, Brake, RH
14	532 12 87-74	Housing, Mandrel, Vented	129	819 13 13-12	Washer 13/32 x 13/16 x 12 Ga.
15	532 11 04-85	Bearing, Ball, Mandrel	130	874 78 06-16	Bolt Fin Hex 3/8-16 UNC x 1.Gr.5
16	532 17 44-93	Stripper, Mower Deck	131	872 14 06-08	Bolt RDHD SQNK 3/8-16 UNC x 1
19	532 13 28-27	Bolt, Shoulder	146	532 16 58-91	Bolt Carriage Idler
21	873 68 05-00	Nut Crownlock 5/16-18	148	532 16 90-22	Spring Return Idler
23	532 13 66-31	Bracket, Mower Deflector	149	532 16 58-98	Retainer Spring Yellow Zinc
24	532 10 53-04	Cap, Sleeve	150	819 09 12-10	Washer 9/32 x 3/4 x 10 Ga.
25	532 12 37-13	Spring, Torsion, Deflector	152	532 17 60-79	Cable Clutch
26	532 11 04-52	Nut, Push	158	817 72 04-08	Screw Hex Thd Cut 1/4-20 x 1/2
27	532 40 31-08	Shield, Deflector	164	532 17 49-76	Bracket Asm Idler Support
28	819 11 10-16	Washer 11/32 x 5/8 x 16 Ga.	168	532 17 23-77	Bracket Deck Cable
29	532 12 19-80	Rod, Hinge	169	532 17 49-77	Bracket Asm Suspension
30	532 17 39-84	Screw Thdrol	170	532 40 00-96	Bracket Suspension RF
31	532 18 76-90	Washer, Spacer	171	532 40 01-10	Bracket Support Susp. Frt
32	532 15 35-31	Pulley, Mandrel	172	532 40 01-02	Bracket Suspension LF
33	532 40 02-34	Nut, Toplock, Flanged	184	819 13 14-10	Washer 13/32 x 7/8 x 10 Ga.
34	872 11 06-14	Bolt Rdhd 3/8-16 x 1-3/4	185	532 18 82-34	Head Asm. Cable Clutch
36	532 13 14-94	Pulley, Idler, Flat	199	532 40 02-82	Guard Asm Fabric LH
40	873 68 06-00	Nut Crownlock 3/8-16	200	532 40 02-83	Guard Asm Fabric RH
45	532 12 47-88	Retainer, Spring	201	532 40 12-20	Push Nut Round 3/8 Diam.
46	532 13 77-29	Screw Thd Roll 1/4-20 x 5/8	202	872 11 06-08	Bolt RDH SQNK 3/8-16 x 1 Gr.5
53	532 13 08-40	Brake Assembly	280	532 40 12-30	Guard Deck Rear
54	532 17 85-15	Washer, Hardened	--	532 13 07-94	Mandrel Assembly (Includes Housing, Shaft and Shaft Hardware Only - Pulley Not Included)
55	532 13 38-40	Idler Arm Assembly	--	532 40 35-80	Replacement Mower, Complete
56	532 16 57-23	Spacer, Retainer			
67	532 10 69-32	Knob RD 3/8-16 Plstc Thd			
68	532 18 02-13	Belt			
89	819 13 13-11	Washer 13/32 x 13/16 x 11 Ga.			

NOTE: All component dimensions given in U.S. inches
1 inch = 25.4 mm

SERVICE NOTES

SERVICE NOTES
